

# REPLACEMENT PARTS MANUAL

## WALL MOUNTED PACKAGE HEAT PUMP MODELS 60WH1

Manual 2110-507

Revision C

Date 3-01-91

Supersedes 9-14-90

\*\*\*\*\*  
\* GENERAL NOTES \*  
\*\*\*\*\*

\*Revised and/or additional pages may be issued from time to time.  
\*A complete and current manual consists of pages dated as shown in the following index.

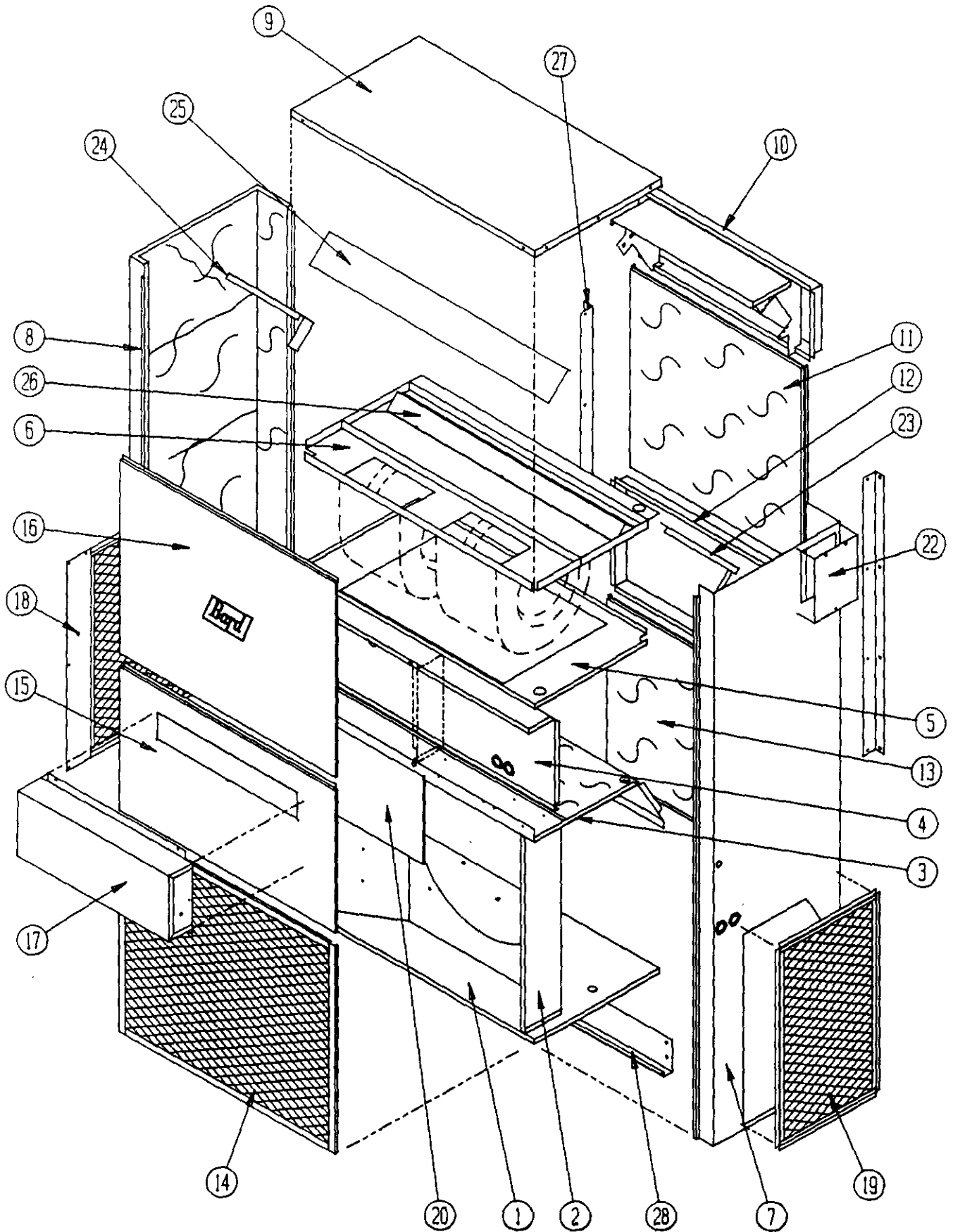
\*\*\*\*\*  
\*\* INDEX \*\*  
\*\*\*\*\*

<u>Page Description</u>	<u>Page</u>	<u>Date</u>	<u>Supersedes</u>
Cabinet Components--Exploded View	1	3-01-91	7-11-89
" " --Usage List	2	3-01-91	9-14-90
Functional Components--Exploded View	3	7-11-89	
" " --Usage List	4	7-11-89	
Control Panel W/O Circuit Breaker--Layout	5	9-14-90	7-11-89
" " " " --Usage List	6	3-01-91	9-14-90
Control Panel W/Circuit Breaker--Layout	7	9-14-90	7-11-89
" " " " --Usage List	8	9-14-90	1-25-90
Blower Assembly--Exploded View	9	7-11-89	
" " --Usage List	10	9-14-90	7-11-89

\*\*\*\*\*  
\*\*\* IMPORTANT \*\*\*  
\*\*\*\*\*

Contact the installing and/or local Bard distributor for all parts requirements. Make sure you have the complete model and serial number available from the unit rating plate.

CABINET COMPONENTS



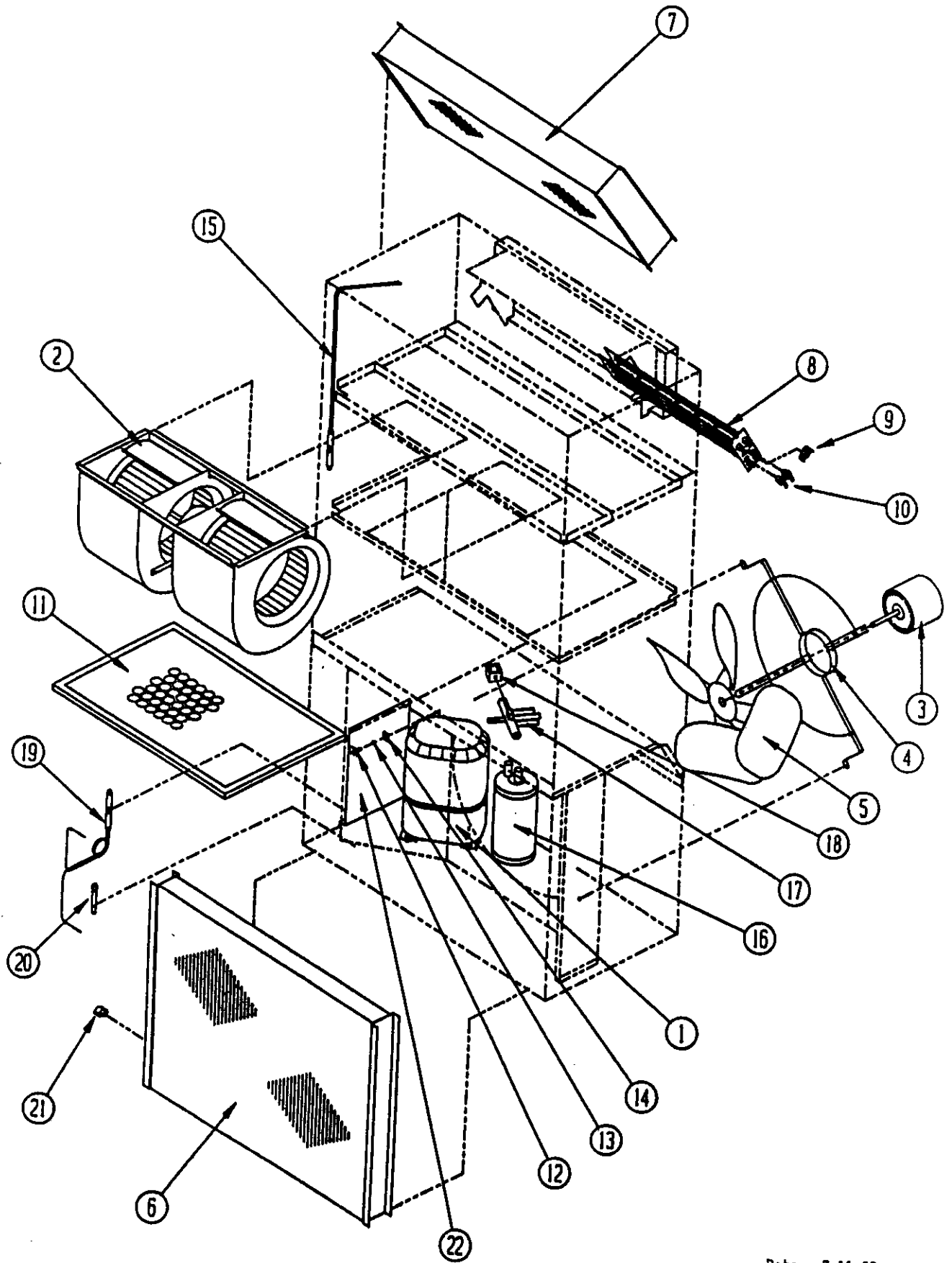
Date: 3-01-91  
Supersedes: 7-11-89

CABINET COMPONENTS

Item	Part No.	Description	6 O W H   A	6 O W H   B, C
1	127-156	Lower Base	x	
1	127-005	Lower Base		x
2	124-003	Fan Shroud	x	x
3	520-133	Condenser Partition	x	x
4	Control Pnl. Assy.	See Control Panel Assembly Drawing and Parts List	x	x
5	130-075	Filter Tray	x	x
6	521-006	Water Pan/Blower Partition	x	x
7	501-168	Right Side	x	x
8	501-169	Left Side	x	x
9	506-097	Top	x	x
10	111-019	Outlet Airframe Assembly	x	x
11	508-059	Upper Back	x	x
12	111-020	Inlet Air Frame Assembly	x	x
13	108-060	Lower Back	x	x
14	119-005	Coil Grille	x	x
15	552-108	Service Door	x	x
16	514-047	Upper Front	x	x
17	962002	Fresh Air Damper	x	x
18	119-006	Left Side Grille	x	x
19	119-008	Right Side Grille	x	x
20	Control Cover	See Control Panel Assembly Drawing and Parts List	x	x
22	542X005	Right Side Cover Plate	x	x
23	140-010	Support--Right Coil	x	x
24	140-011	Support--Left Coil	x	x
25	134-011	Top Evaporator Fill	x	x
26	136-003	Bottom Evaporator Fill	x	x
27	112-009	Side Mounting Bracket	x	x
28	112-006	Bottom Mounting Bracker	x	x

Date: 3-01-91  
Supersedes: 9-14-90

FUNCTIONAL COMPONENTS



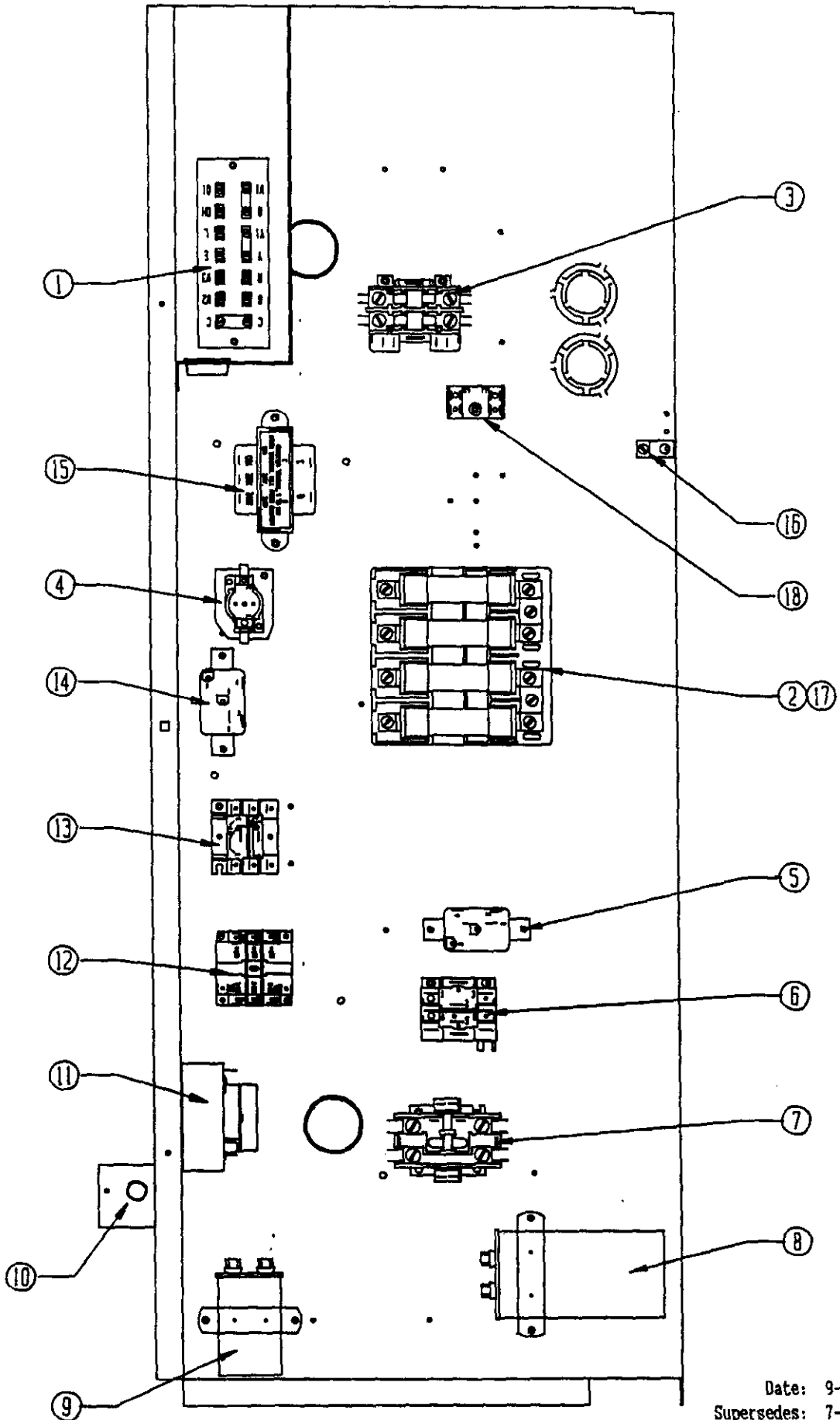
Date: 7-11-89  
Supersedes:

FUNCTIONAL COMPONENTS

Dwg. No.	Part No.	Description	6000N, C	6000N, C	6000N, C	6000N, C	6000N, C	6000N, C	6000N, C	6000N, C	6000N, C	6000N, C	6000N, C	6000N, C
1	8000-108	Compressor CRP5-0450-PFV	X	X	X	X								
1	8000-075	Compressor AG5561H					X	X	X	X				
1	8000-049	Compressor AG5561F									X	X	X	
2	900-119	Blower Assembly (Complete)	X	X	X	X	X	X	X	X				
2	900-120	Blower Assembly (Complete)									X	X	X	
3	8105-035	Condenser Motor	X	X	X	X	X	X	X	X				
3	8105-030	Condenser Motor									X	X	X	
4	8200-004	Motor Mount--Condenser	X	X	X	X	X	X	X	X	X	X	X	X
5	5151-027	Fan Blade	X	X	X	X	X	X	X	X	X	X	X	X
6	5051-057	Condenser Coil	X	X	X	X	X	X	X	X	X	X	X	X
7	5060-056	Evaporator Coil	X	X	X	X	X	X	X	X	X	X	X	X
8	8604-091	Heat Strip		X		2								
8	8604-047	Heat Strip			X				X					
8	8604-048	Heat Strip									2			
8	8604-072	Heat Strip											X	
8	8604-052	Heat Strip												X
9	8402-047	Limit Control		X	X	X		X	X	X			X	X
10	8402-032	Thermal Cutoff		2	3	4		2	3	4				
10	8402-057	Thermal Cutoff											2	3
11	7004-016	Air Filter 20 x 30 x 1	X	X	X	X	X	X	X	X	X	X	X	X
12	1171-019	1/4 Turn Fastener	X	X	X	X	X	X	X	X	X	X	X	X
13	1171-021	Retainer Washer	X	X	X	X	X	X	X	X	X	X	X	X
14	1171-020	Receptacle	X	X	X	X	X	X	X	X	X	X	X	X
15	800-0149	Cooling Capillary Assembly	X	X	X	X	X	X	X	X	X	X	X	X
16	5202-019	Accumulator	X	X	X	X	X	X	X	X	X	X	X	X
17	5650-010	Reversing Valve	X	X	X	X	X	X	X	X	X	X	X	X
18	5650-008	Reversing Valve Solenoid Coil	X	X	X	X	X	X	X	X	X	X	X	X
19	800-0148	Heating Capillary Assembly	X	X	X	X	X	X	X	X	X	X	X	X
20	5651-036	Check Valve	X	X	X	X	X	X	X	X	X	X	X	X
21	8408-012	Defrost Thermostat	X	X	X	X	X	X	X	X	X	X	X	X
22	134-068	Wire Shield	X	X	X	X								

Date: 7-11-89  
Supersedes:

CONTROL PANEL WITHOUT CIRCUIT BREAKER



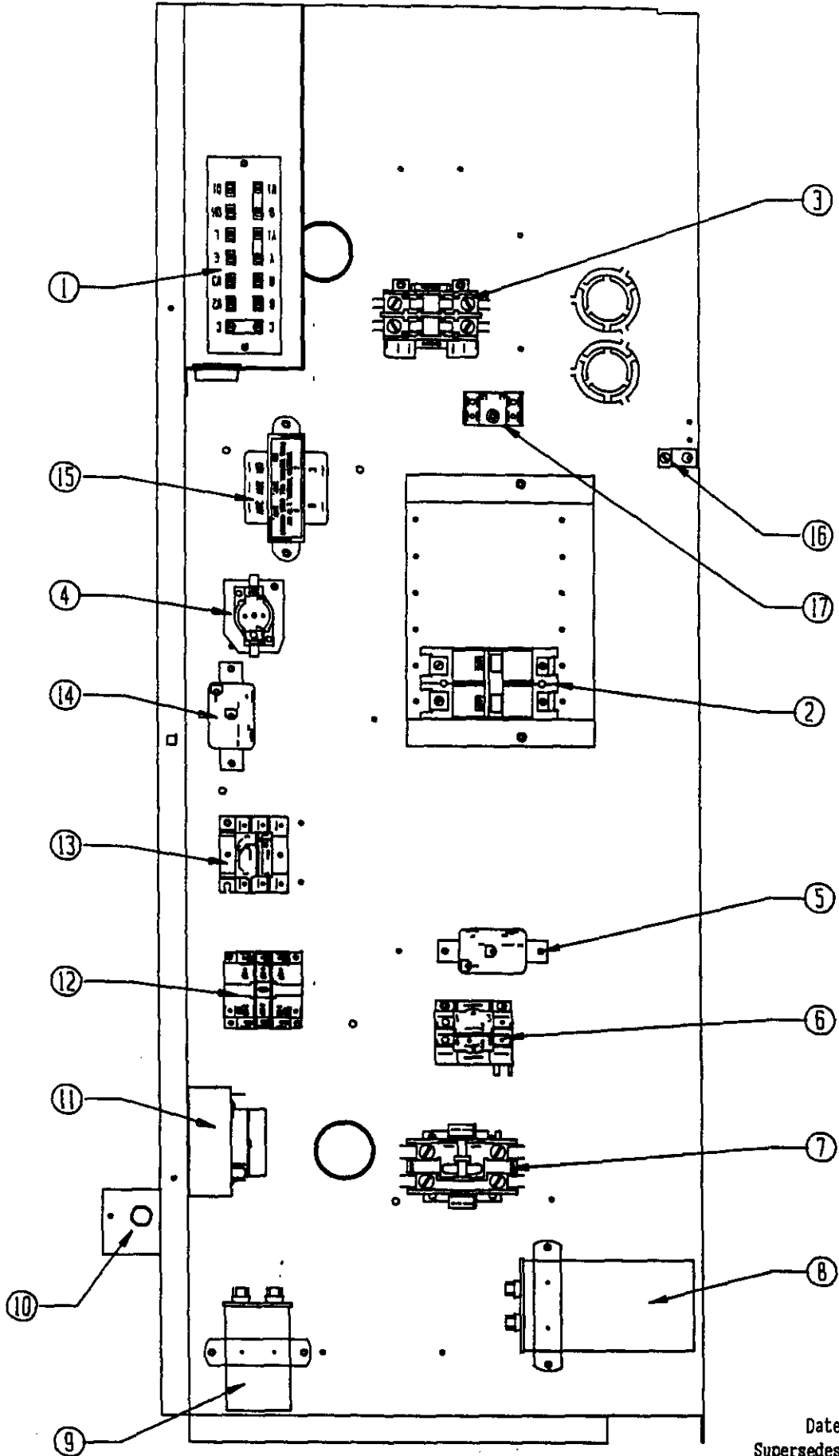
Date: 9-14-90  
Supersedes: 7-11-89

CONTROL PANEL  
WITHOUT CIRCUIT BREAKER

Dwg. No.	Part No.	Description	6 O W H 1   A O O N	6 O W H 1   A O O N	6 O W H 1   A O 5 N	6 O W H 1   A O O N	6 O W H 1   B O O N	6 O W H 1   B O 9 N	6 O W H 1   B 1 5 N	6 O W H 1   B 1 8 N	6 O W H 1   C O O N	6 O W H 1   C O 9 N	6 O W H 1   C 1 5 N
1	8607-019	Low Voltage Terminal Strip	x	x	x	x	x	x	x	x	x	x	x
2	8607-013	Terminal Block	x										
2	8614-018	Fuse Block		x									
2	8614-014	Fuse Block			x								
2	8614-019	Fuse Block				x							
2	8607-014	Terminal Block					x				x	x	x
2	8614-021	Fuse Block						x					
2	8614-020	Fuse Block							x	x			
3	8401-006	Heat Contactor		x	2	2		x			2		
3	8401-010	Heat Contactor							x				
3	8401-002	Heat Contactor										x	x
4	8201-045	Time Delay Relay	x	x	x	x							
5	8201-008	Heating Blower Relay		x	x	x		x	x	x			
6	8201-032	Defrost Relay									x	x	x
6	8201-024	Compressor Fault Relay	x	x	x	x							
7	8401-011	Compressor Contactor					x	x	x	x			
7	8401-016	Compressor Contactor	x	x	x	x							
7	8401-002	Compressor Contactor									x	x	x
8	8552-031	Compressor Capacitor 45/440	x	x	x	x							
9	8552-005	Condenser Motor Capacitor 10/370	x	x	x	x	x	x	x	x			
9	8552-026	Condenser Motor Capacitor 15/370									x	x	x
10	8406-010	High Pressure Switch	x	x	x	x	x	x	x	x	x	x	x
11	8612-012	Timer	x	x	x	x	x	x	x	x	x	x	x
12	8201-047	Defrost Relay	x	x	x	x	x	x	x	x	x	x	x
13	8201-013	Emergency Heat Relay		x	x				x				
14	8201-008	Blower Relay	x	x	x	x	x	x	x	x			
14	8201-032	Blower Relay									x	x	x
15	8407-035	Transformer	x	x	x	x	x	x	x	x			
15	8407-040	Transformer									x	x	x
16	8611-006	Ground Terminal	1	1	2	2	1	1	1	1	1	1	1
17	8607-015	Phenolic Insulator									x	x	x
18	8607-017	Terminal Block									x	x	x
	4089-112	Wiring Diagram	x										
	4089-132	Wiring Diagram		x									
	4089-142	Wiring Diagram			x								
	4089-152	Wiring Diagram				x							
	4089-210	Wiring Diagram					x						
	4089-220	Wiring Diagram						x					
	4089-230	Wiring Diagram							x				
	4089-240	Wiring Diagram								x			
	4089-310	Wiring Diagram									x		
	4089-320	Wiring Diagram										x	
	4089-330	Wiring Diagram											x
	132-095	Control Panel Cover	x				x				x	x	x
	133-053	Control Panel Cover		x	x	x		x	x	x			

Date: 3-01-91  
Supersedes: 9-14-90

CONTROL PANEL WITH CIRCUIT BREAKER



Date: 9-14-90  
Supersedes: 7-11-89

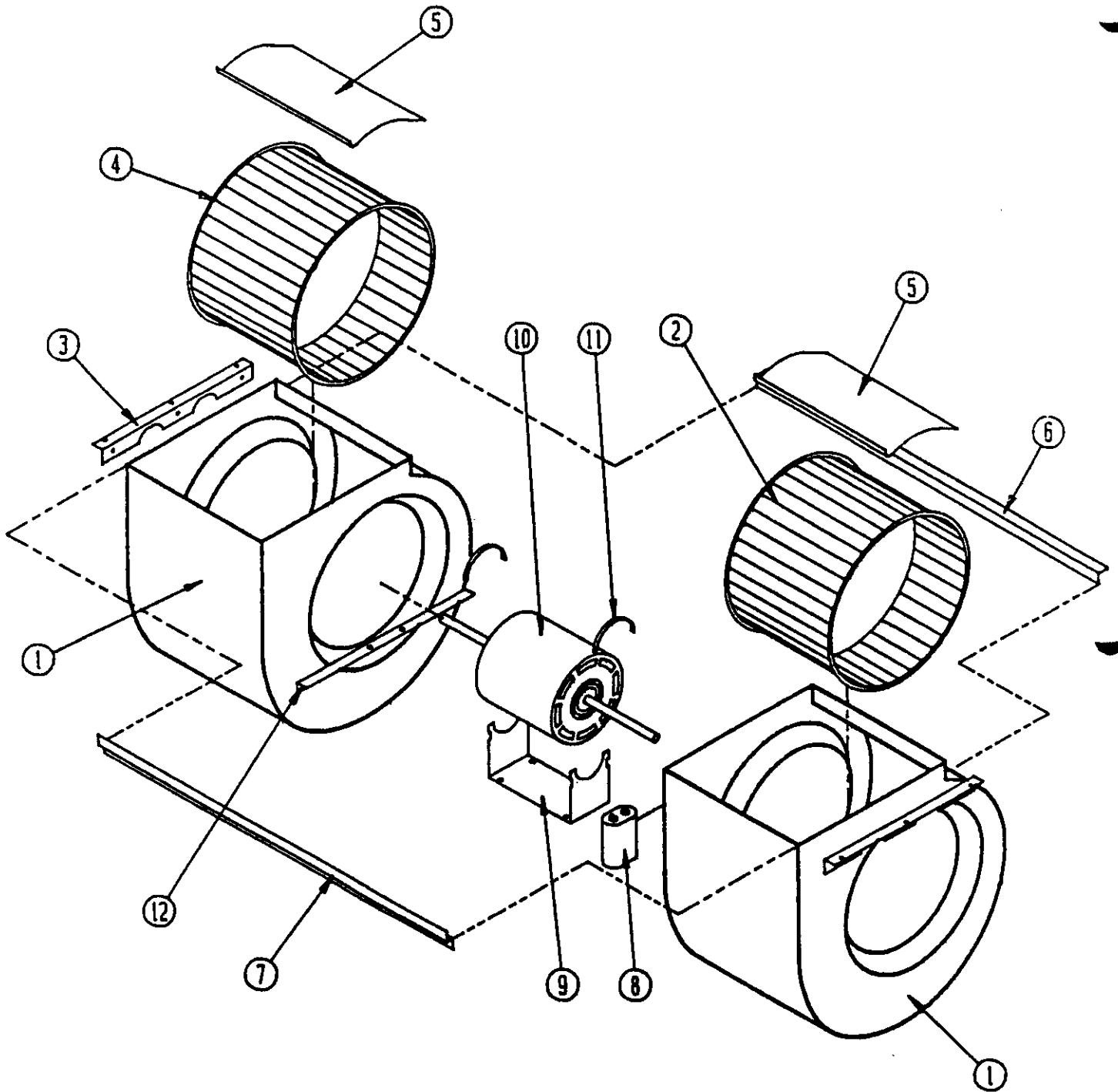


CONTROL PANEL  
WITH CIRCUIT BREAKER

Dwg. No.	Part No.	Description	6	6	6	6	6	6	6	6	6	6	6
			O	O	O	O	O	O	O	O	O	O	O
			W	W	W	W	W	W	W	W	W	W	W
			H	H	H	H	H	H	H	H	H	H	H
			I	I	I	I	I	I	I	I	I	I	I
			A	A	A	A	B	B	B	B	C	C	C
			0	1	1	2	0	0	1	1	0	0	1
			0	0	5	0	0	9	5	8	0	9	5
			C	C	C	C	C	C	C	C	C	C	C
1	8607-019	Low Voltage Terminal Strip	x	x	x	x	x	x	x	x	x	x	x
2	8615-016	Circuit Breaker (60A)	x	2	2	3							
2	8615-013	Circuit Breaker (30A)			x								
2	8615-007	Circuit Breaker (50A)					x		2	x			
2	8615-011	Circuit Breaker (60A)						x		x			
2	8615-025	Circuit Breaker (25A)									x		
2	8615-027	Circuit Breaker (35A)										x	
2	8615-028	Circuit Breaker (40A)											x
3	8401-006	Heat Contactor		x	2	2		x		2			
3	8401-010	Heat Contactor							x				
3	8401-002	Heat Contactor										x	x
4	8201-045	Time Delay Relay	x	x	x	x							
5	8201-008	Heating Blower Relay		x	x	x		x	x	x			
6	8201-032	Defrost Relay									x	x	x
6	8201-024	Compressor Fault Relay	x	x	x	x							
7	8401-011	Compressor Contactor					x	x	x	x			
7	8401-016	Compressor Contactor	x	x	x	x							
7	8401-002	Compressor Contactor									x	x	x
8	8552-031	Compressor Capacitor 45/440	x	x	x	x							
9	8552-005	Condenser Motor Capacitor 10/370	x	x	x	x	x	x	x	x			
9	8552-026	Condenser Motor Capacitor 15/370									x	x	x
10	8406-010	High Pressure Switch	x	x	x	x	x	x	x	x	x	x	x
11	8612-012	Timer	x	x	x	x	x	x	x	x	x	x	x
12	8201-047	Defrost Relay	x	x	x	x	x	x	x	x	x	x	x
13	8201-013	Emergency Heat Relay			x	x				x			
14	8201-008	Blower Relay	x	x	x	x	x	x	x	x			
14	8201-032	Blower Relay									x	x	x
15	8407-035	Transformer	x	x	x	x	x	x	x	x			
15	8407-037	Transformer										x	x
16	8611-006	Ground Terminal	1	2	3	3	1	1	2	2	1	1	1
17	8607-017	Terminal Block									x	x	x
	4089-113	Wiring Diagram	x										
	4089-133	Wiring Diagram		x									
	4089-143	Wiring Diagram			x								
	4089-153	Wiring Diagram				x							
	4089-211	Wiring Diagram					x						
	4089-221	Wiring Diagram						x					
	4089-231	Wiring Diagram							x				
	4089-241	Wiring Diagram								x			
	4089-311	Wiring Diagram									x		
	4089-321	Wiring Diagram										x	
	4089-331	Wiring Diagram											x
	132-089	Control Panel Cover	x	x	x	x	x	x	x	x	x	x	x
	132-095	Control Panel Cover	x	x	x	x	x	x	x	x	x	x	x

Date: 9-14-90  
Supersedes: 1-25-90

BLOWER ASSEMBLY



Date: 7-11-89  
Supersedes:

BLOWER ASSEMBLY

Dwg. No.	Part No.	Description	9 0 0 1 1 9	9 0 0 1 2 0	9 0 0 1 2 1
1	151-068	Blower Housing	2	2	2
2	5152-011	Blower Wheel 10-8, CW	x	x	
2	5152-057	Blower Wheel 9-8, CW			x
3	104-791	Blower Angle	2	2	2
4	5152-012	Blower Wheel 10-8, CCW	x	x	
4	5152-058	Blower Wheel 9-8, CCW			x
5	144-126	Diffuser	2	2	2
6	104-802	Back Brace	x	x	x
7	102-389	Front Offset	x	x	x
8	8552-005	Capacitor 10/370	x	x	x
9	128-002	Motor Mount--Cradle	x	x	x
10	8106-023	Motor	x		x
10	8106-025	Motor		x	
11	8200-018	Motor Mount Latch	2	2	2
12	104-788	Motor Support Angle	2	2	2

Date: 9-14-90  
Supersedes: 7-11-89

