

# REPLACEMENT PARTS MANUAL

## WALL MOUNTED PACKAGE HEAT PUMP MODELS 60WH1

Manual 2110-507

Revision --

Date 7-11-89

Supersedes

\*\*\*\*\*  
\* GENERAL NOTES \*  
\*\*\*\*\*

\*Revised and/or additional pages may be issued from time to time.  
\*A complete and current manual consists of pages dated as shown in the following index.

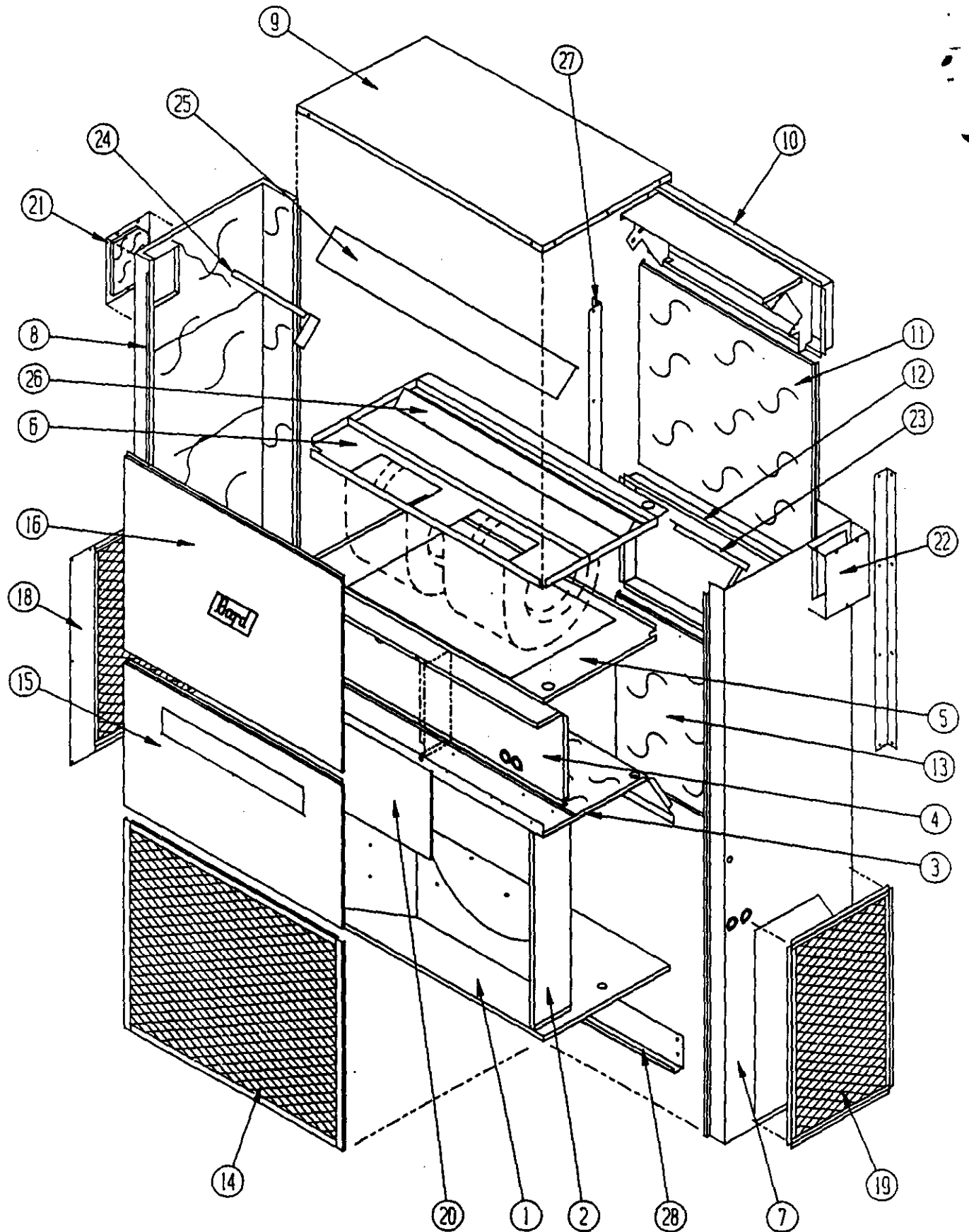
\*\*\*\*\*  
\*\* INDEX \*\*  
\*\*\*\*\*

<u>Page Description</u>	<u>Page</u>	<u>Date</u>	<u>Supersedes</u>
Cabinet Components--Exploded View	1	7-11-89	
" " --Usage List	2	7-11-89	
Functional Components--Exploded View	3	7-11-89	
" " --Usage List	4	7-11-89	
Control Panel W/O Circuit Breaker--Layout	5	7-11-89	
" " " " --Usage List	6	7-11-89	
Control Panel W/Circuit Breaker--Layout	7	7-11-89	
" " " " --Usage List	8	7-11-89	
Blower Assembly--Exploded View	9	7-11-89	
" " --Usage List	10	7-11-89	

\*\*\*\*\*  
\*\*\* IMPORTANT \*\*\*  
\*\*\*\*\*

Contact the installing and/or local Bard distributor for all parts requirements. Make sure you have the complete model and serial number available from the unit rating plate.

CABINET COMPONENTS



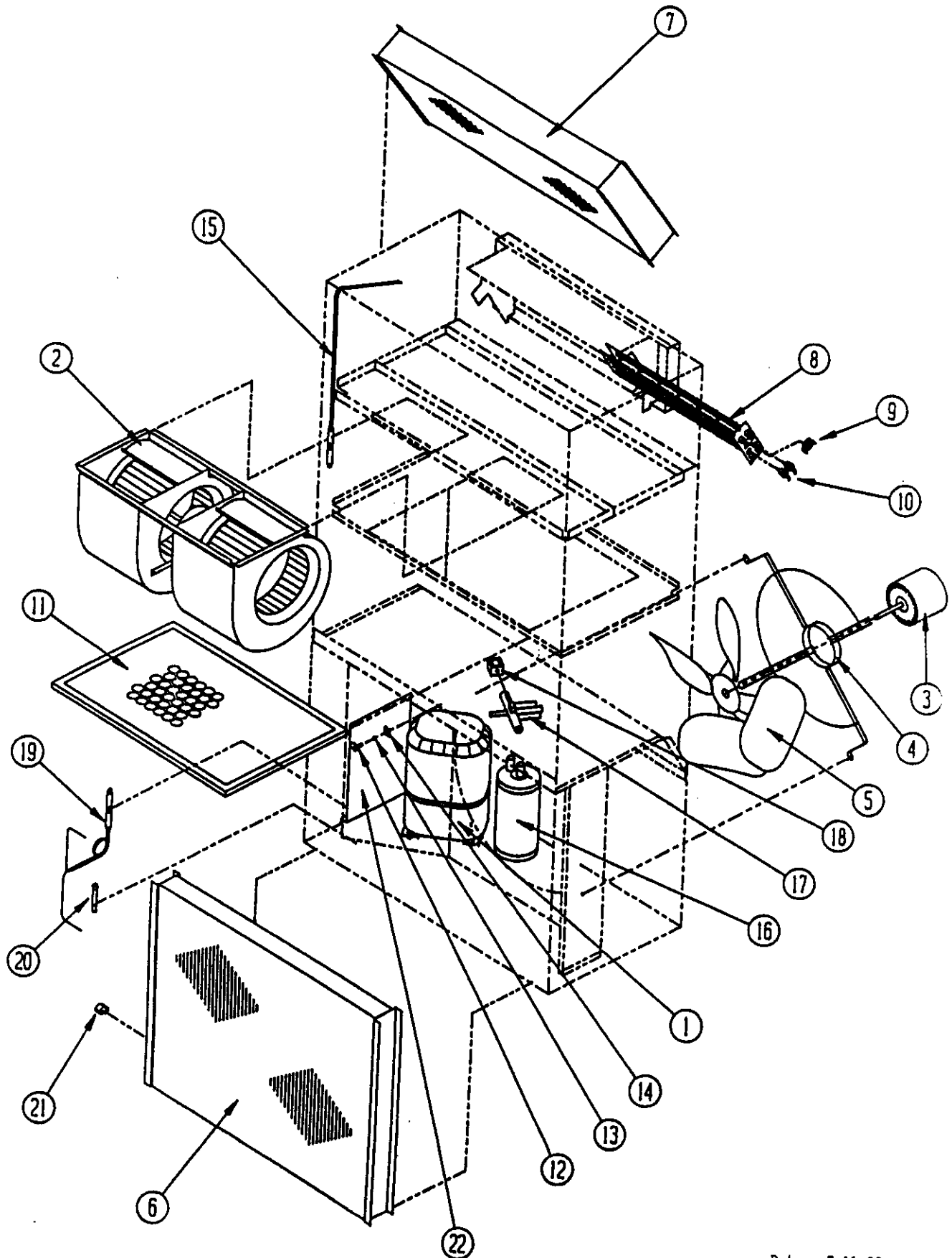
Date: 7-11-89  
Supersedes:

CABINET COMPONENTS

Item	Part No.	Description	U S A G E
1	127-005	Lower Base	X
2	124-003	Fan Shroud	X
3	520-133	Condenser Partition	X
4	Control Pnl. Assy.	See Control Panel Assembly Drawing and Parts List	X
5	131-004	Filter Tray	X
6	521-006	Water Pan/Blower Partition	X
7	501-168	Right Side	X
8	501-169	Left Side	X
9	506-097	Top	X
10	111-019	Outlet Airframe Assembly	X
11	508-059	Upper Back	X
12	111-020	Inlet Air Frame Assembly	X
13	508-060	Lower Back	X
14	119-005	Coil Grille	X
15	552-108	Service Door	X
16	514-047	Upper Front	X
17	FAD25	Fresh Air Damper	X
18	119-006	Left Side Grille	X
19	119-008	Right Side Grille	X
20	Control Cover	See Control Panel Assembly Drawing and Parts List	X
21	542Y005	Left Side Cover Plate	X
22	542X005	Right Side Cover Plate	X
23	140-010	Support--Right Coil	X
24	140-011	Support--Left Coil	X
25	134-011	Top Evaporator Fill	X
26	137-003	Bottom Evaporator Fill	X
27	112-009	Side Mounting Bracket	X
28	112-006	Bottom Mounting Bracker	X

Date: 7-11-89  
Supersedes:

FUNCTIONAL COMPONENTS



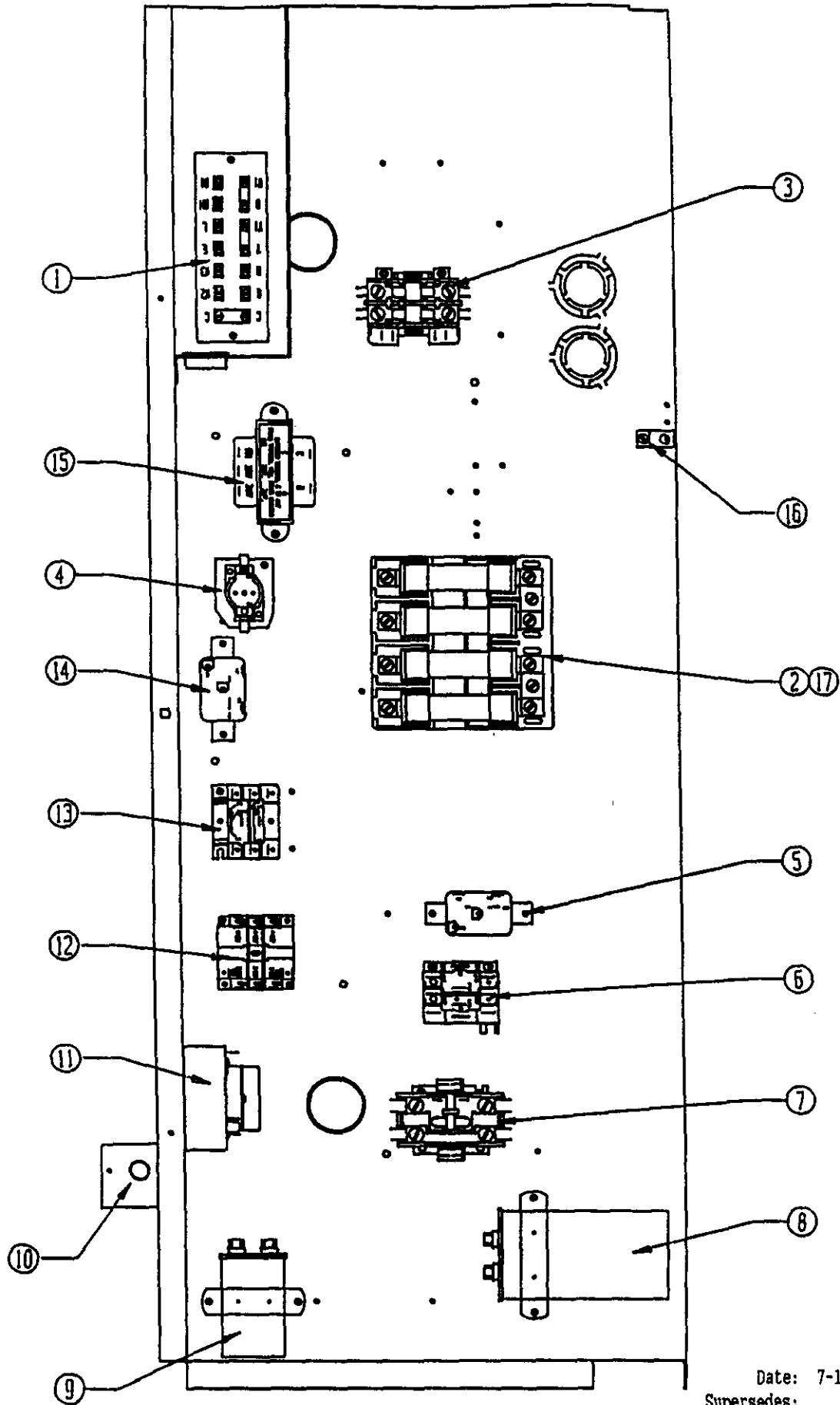
Date: 7-11-89  
Supersedes:

FUNCTIONAL COMPONENTS

Dwg. No.	Part No.	Description	6	6	6	6	6	6	6	6	6	6	6	6
			O	O	O	O	O	O	O	O	O	O	O	O
			W	W	W	W	W	W	W	W	W	W	W	W
			H	H	H	H	H	H	H	H	H	H	H	H
			1	1	1	1	1	1	1	1	1	1	1	1
			A	A	A	A	B	B	B	B	C	C	C	C
			O	O	O	O	O	O	O	O	O	O	O	O
			N,	N,	N,	N,	N,	N,	N,	N,	N,	N,	N,	N,
			C	C	C	C	C	C	C	C	C	C	C	C
1	8000-108	Compressor CRP5-0450-PFV	X	X	X	X								
1	8000-075	Compressor AG5561H					X	X	X	X				
1	8000-049	Compressor AG5561F									X	X	X	
2	900-119	Blower Assembly (Complete)	X	X	X	X	X	X	X	X				
2	900-120	Blower Assembly (Complete)									X	X	X	
3	8105-035	Condenser Motor	X	X	X	X	X	X	X	X				
3	8105-030	Condenser Motor									X	X	X	
4	8200-004	Motor Mount--Condenser	X	X	X	X	X	X	X	X	X	X	X	
5	5151-027	Fan Blade	X	X	X	X	X	X	X	X	X	X	X	
6	5051-057	Condenser Coil	X	X	X	X	X	X	X	X	X	X	X	
7	5060-056	Evaporator Coil	X	X	X	X	X	X	X	X	X	X	X	
8	8604-091	Heat Strip		X		2								
8	8604-047	Heat Strip			X				X					
8	8604-048	Heat Strip						X		2				
8	8604-072	Heat Strip										X		
8	8604-052	Heat Strip												X
9	8402-047	Limit Control		X	X	X		X	X	X		X	X	
10	8402-032	Thermal Cutoff		2	3	4		2	3	4				
10	8402-057	Thermal Cutoff										2	3	
11	7004-016	Air Filter 20 x 30 x 1	X	X	X	X	X	X	X	X	X	X	X	
12	1171-019	1/4 Turn Fastener	X	X	X	X	X	X	X	X	X	X	X	
13	1171-021	Retainer Washer	X	X	X	X	X	X	X	X	X	X	X	
14	1171-020	Receptacle	X	X	X	X	X	X	X	X	X	X	X	
15	800-0149	Cooling Capillary Assembly	X	X	X	X	X	X	X	X	X	X	X	
16	5202-019	Accumulator	X	X	X	X	X	X	X	X	X	X	X	
17	5650-010	Reversing Valve	X	X	X	X	X	X	X	X	X	X	X	
18	5650-008	Reversing Valve Solenoid Coil	X	X	X	X	X	X	X	X	X	X	X	
19	800-0148	Heating Capillary Assembly	X	X	X	X	X	X	X	X	X	X	X	
20	5651-036	Check Valve	X	X	X	X	X	X	X	X	X	X	X	
21	8408-012	Defrost Thermostat	X	X	X	X	X	X	X	X	X	X	X	
22	134-068	Wire Shield	X	X	X	X								

Date: 7-11-89  
Supersedes:

CONTROL PANEL WITHOUT CIRCUIT BREAKER



Date: 7-11-89  
Supersedes:

CONTROL PANEL  
WITHOUT CIRCUIT BREAKER

Dwg. No.	Part No.	Description	6 O W H 1   A O O N	6 O W H 1   A O O N	6 O W H 1   A O O N	6 O W H 1   A O O N	6 O W H 1   B O O N	6 O W H 1   B O O N	6 O W H 1   B O O N	6 O W H 1   B O O N	6 O W H 1   C O O N	6 O W H 1   C O O N	6 O W H 1   C O O N
1	8607-019	Low Voltage Terminal Strip	X	X	X	X	X	X	X	X	X	X	X
2	8607-013	Terminal Block	X										
2	8614-018	Fuse Block		X									
2	8614-014	Fuse Block			X								
2	8614-019	Fuse Block				X							
2	8607-014	Terminal Block					X				X	X	X
2	8614-021	Fuse Block						X					
2	8614-020	Fuse Block							X	X			
3	8401-006	Heat Contactor		X	2	2		X		2			
3	8401-010	Heat Contactor							X				
3	8401-002	Heat Contactor										X	X
4	8201-045	Time Delay Relay	X	X	X	X							
5	8201-008	Heating Blower Relay		X	X	X		X	X	X			
6	8201-032	Defrost Relay									X	X	X
6	8201-024	Compressor Fault Relay	X	X	X	X							
7	8401-011	Compressor Contactor					X	X	X	X			
7	8401-016	Compressor Contactor	X	X	X	X							
7	8401-002	Compressor Contactor									X	X	X
8	8552-031	Compressor Capacitor 45/440	X	X	X	X							
9	8552-005	Condenser Motor Capacitor 10/370	X	X	X	X	X	X	X	X			
9	8552-026	Condenser Motor Capacitor 15/370									X	X	X
10	8406-010	High Pressure Switch	X	X	X	X	X	X	X	X	X	X	X
11	8612-012	Timer	X	X	X	X	X	X	X	X	X	X	X
12	8201-047	Defrost Relay	X	X	X	X	X	X	X	X	X	X	X
13	8201-013	Emergency Heat Relay		X	X				X				
14	8201-008	Blower Relay	X	X	X	X	X	X	X	X			
14	8201-032	Blower Relay									X	X	X
15	8407-035	Transformer	X	X	X	X	X	X	X	X			
15	8407-037	Transformer									X	X	X
16	8611-006	Ground Terminal	1	1	2	2	1	1	1	1	1	1	1
17	8607-015	Phenolic Insulator									X	X	X
	4089-112	Wire Diagram	X										
	4089-132	Wire Diagram		X									
	4089-142	Wire Diagram			X								
	4089-152	Wire Diagram				X							
	4089-210	Wire Diagram					X						
	4089-220	Wire Diagram						X					
	4089-230	Wire Diagram							X				
	4089-240	Wire Diagram								X			
	4089-310	Wire Diagram									X		
	4089-320	Wire Diagram										X	
	4089-330	Wire Diagram											X
	132-080	Control Panel Cover	X				X				X	X	X
	133-053	Control Panel Cover		X	X	X		X	X	X			

Date: 7-11-89  
Supersedes:



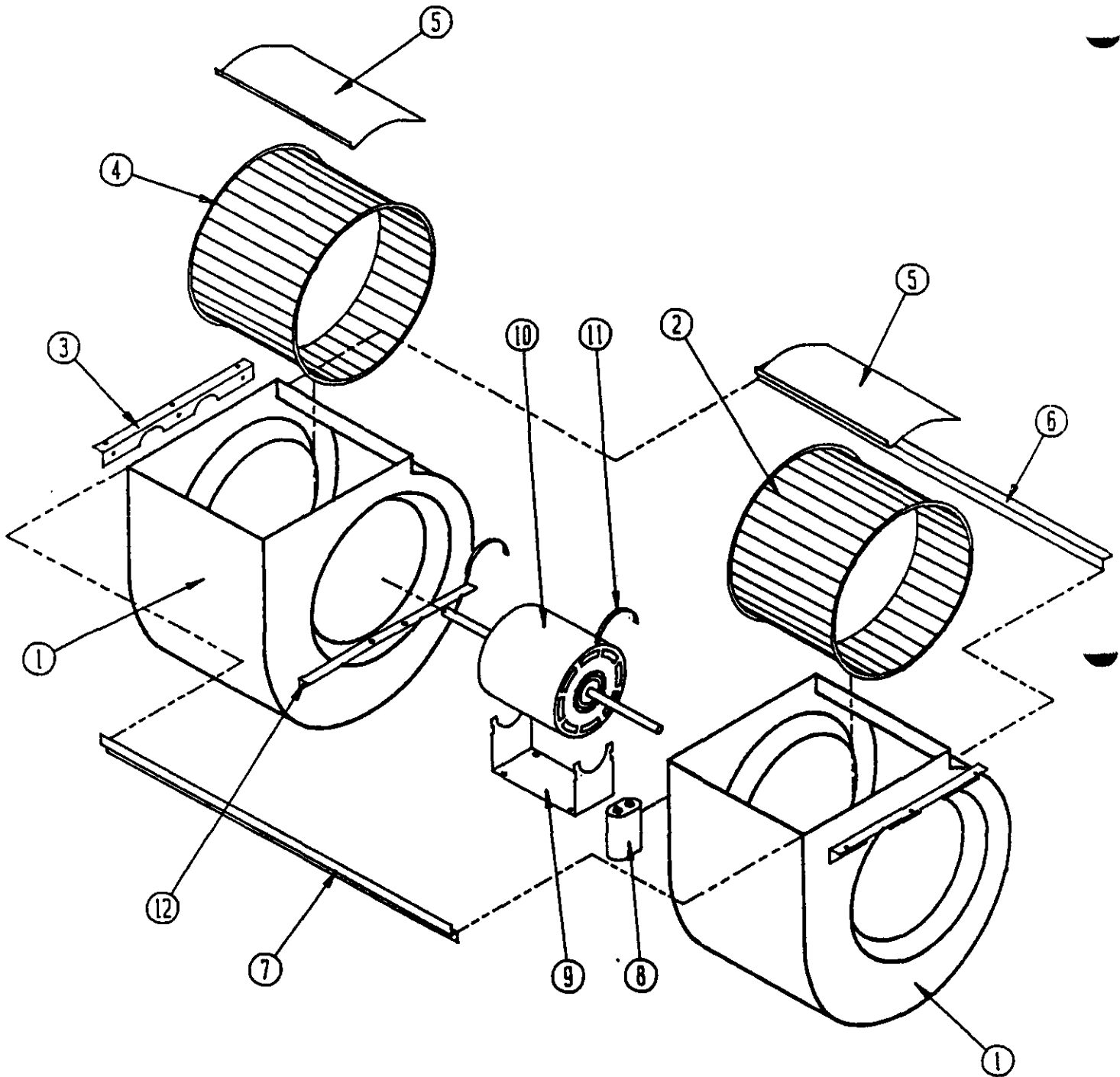


CONTROL PANEL  
WITH CIRCUIT BREAKER

Dwg. No.	Part No.	Description	6	6	6	6	6	6	6	6	6	6	6
			O	O	O	O	O	O	O	O	O	O	O
			W	W	W	W	W	W	W	W	W	W	W
			H	H	H	H	H	H	H	H	H	H	H
			1	1	1	1	1	1	1	1	1	1	1
			A	A	A	A	B	B	B	B	C	C	C
			0	1	1	2	0	0	1	1	0	0	1
			0	0	5	0	0	9	5	8	0	9	5
			C	C	C	C	C	C	C	C	C	C	C
1	8607-019	Low Voltage Terminal Strip	X	X	X	X	X	X	X	X	X	X	X
2	8615-016	Circuit Breaker (60A)	X	2	2	3							
2	8615-013	Circuit Breaker (30A)			X								
2	8615-007	Circuit Breaker (50A)					X		2	X			
2	8615-011	Circuit Breaker (60A)						X		X			
2	8615-025	Circuit Breaker (25A)									X		
2	8615-027	Circuit Breaker (35A)										X	
2	8615-028	Circuit Breaker (40A)											X
3	8401-006	Heat Contactor		X	2	2		X		2			
3	8401-010	Heat Contactor							X				
3	8401-002	Heat Contactor										X	X
4	8201-045	Time Delay Relay	X	X	X	X							
5	8201-008	Heating Blower Relay		X	X	X		X	X	X			
6	8201-032	Defrost Relay									X	X	X
6	8201-024	Compressor Fault Relay	X	X	X	X							
7	8401-011	Compressor Contactor					X	X	X	X			
7	8401-016	Compressor Contactor	X	X	X	X							
7	8401-002	Compressor Contactor									X	X	X
8	8552-031	Compressor Capacitor 45/440	X	X	X	X							
9	8552-005	Condenser Motor Capacitor 10/370	X	X	X	X	X	X	X	X			
9	8552-026	Condenser Motor Capacitor 15/370									X	X	X
10	8406-010	High Pressure Switch	X	X	X	X	X	X	X	X	X	X	X
11	8612-012	Timer	X	X	X	X	X	X	X	X	X	X	X
12	8201-047	Defrost Relay	X	X	X	X	X	X	X	X	X	X	X
13	8201-013	Emergency Heat Relay			X	X				X			
14	8201-008	Blower Relay	X	X	X	X	X	X	X	X			
14	8201-032	Blower Relay									X	X	X
15	8407-035	Transformer	X	X	X	X	X	X	X	X			
15	8407-037	Transformer									X	X	X
16	8611-006	Ground Terminal	1	2	3	3	1	1	2	2	1	1	1
	4089-113	Wire Diagram	X										
	4089-133	Wire Diagram		X									
	4089-143	Wire Diagram			X								
	4089-153	Wire Diagram				X							
	4089-211	Wire Diagram					X						
	4089-221	Wire Diagram						X					
	4089-231	Wire Diagram							X				
	4089-241	Wire Diagram								X			
	4089-311	Wire Diagram									X		
	4089-321	Wire Diagram										X	
	4089-331	Wire Diagram											X
	132-089	Control Panel Cover									X	X	X
	132-095	Control Panel Cover	X	X	X	X	X	X	X	X			

Date: 7-11-89  
Supersedes:

BLOWER ASSEMBLY



Date: 7-11-89  
Supersedes:

BLOWER ASSEMBLY

Dwg. No.	Part No.	Description	9 0 0   1 1 9	9 0 0   1 2 0	9 0 0   1 2 1
1	151-068	Blower Housing	2	2	2
2	5152-011	Blower Wheel 10-8, CW	X	X	
2	5152-057	Blower Wheel 9-8, CW			X
3	104-791	Blower Angle	2	2	2
4	5152-012	Blower Wheel 10-8, CCW	X	X	
4	5152-058	Blower Wheel 9-8, CCW			X
5	144-126	Diffuser	2	2	2
6	104-802	Back Brace	X	X	X
7	102-389	Front Offset	X	X	X
8	8552-005	Capacitor 10/370	X	X	X
9	128-002	Motor Mount--Cradle	X	X	X
10	8106-023	Motor	X		X
10	8106-024	Motor		X	
11	8200-018	Motor Mount Latch	2	2	2
12	104-788	Motor Support Angle	2	2	2

Date: 7-11-89  
Supersedes:

