

# REPLACEMENT PARTS MANUAL

## WALL MOUNTED PACKAGE HEAT PUMP MODELS MHP30A, MHP36A

Manual 2110-508

Revision A

Date 1-25-90

Supersedes 7-11-89

\*\*\*\*\*  
\* GENERAL NOTES \*  
\*\*\*\*\*

\*Revised and/or additional pages may be issued from time to time.  
\*A complete and current manual consists of pages dated as shown in the following index.

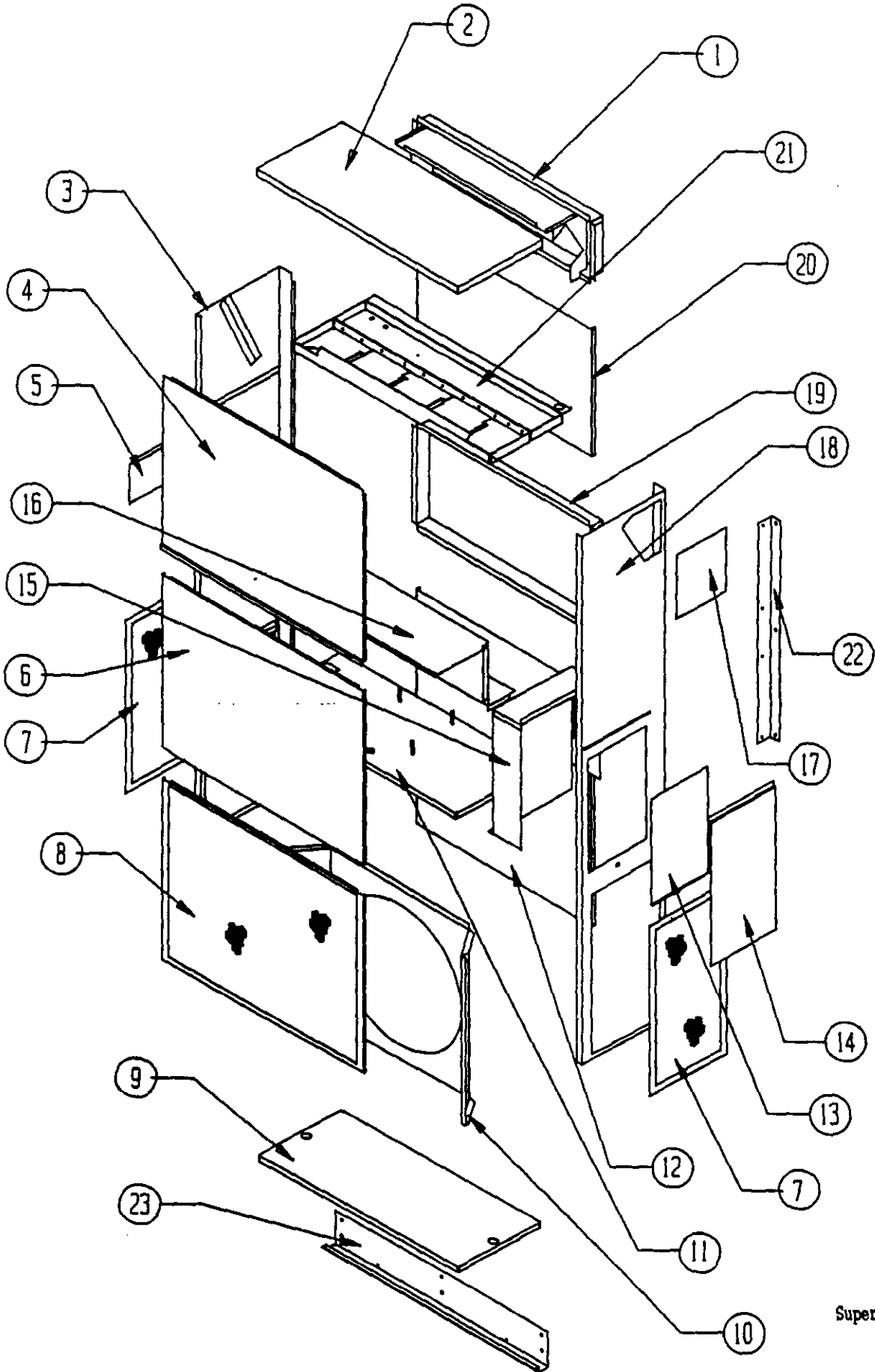
\*\*\*\*\*  
\*\* INDEX \*\*  
\*\*\*\*\*

<u>Page Description</u>	<u>Page</u>	<u>Date</u>	<u>Supersedes</u>
Cabinet Components--Exploded View	1	7-11-89	
" " --Usage List	2	7-11-89	
Functional Components--Exploded View	3	7-11-89	
" " --Usage List	4	1-25-90	7-11-89
Control Panel--Layout	5	7-11-89	
" " --Usage List	6	1-25-90	7-11-89
Blower Assembly--Exploded View	7	7-11-89	
" " --Usage List	8	1-25-90	7-11-89

\*\*\*\*\*  
\*\*\* IMPORTANT \*\*\*  
\*\*\*\*\*

Contact the installing and/or local Bard distributor for all parts requirements. Make sure you have the complete model and serial number available from the unit rating plate.

CABINET COMPONENTS



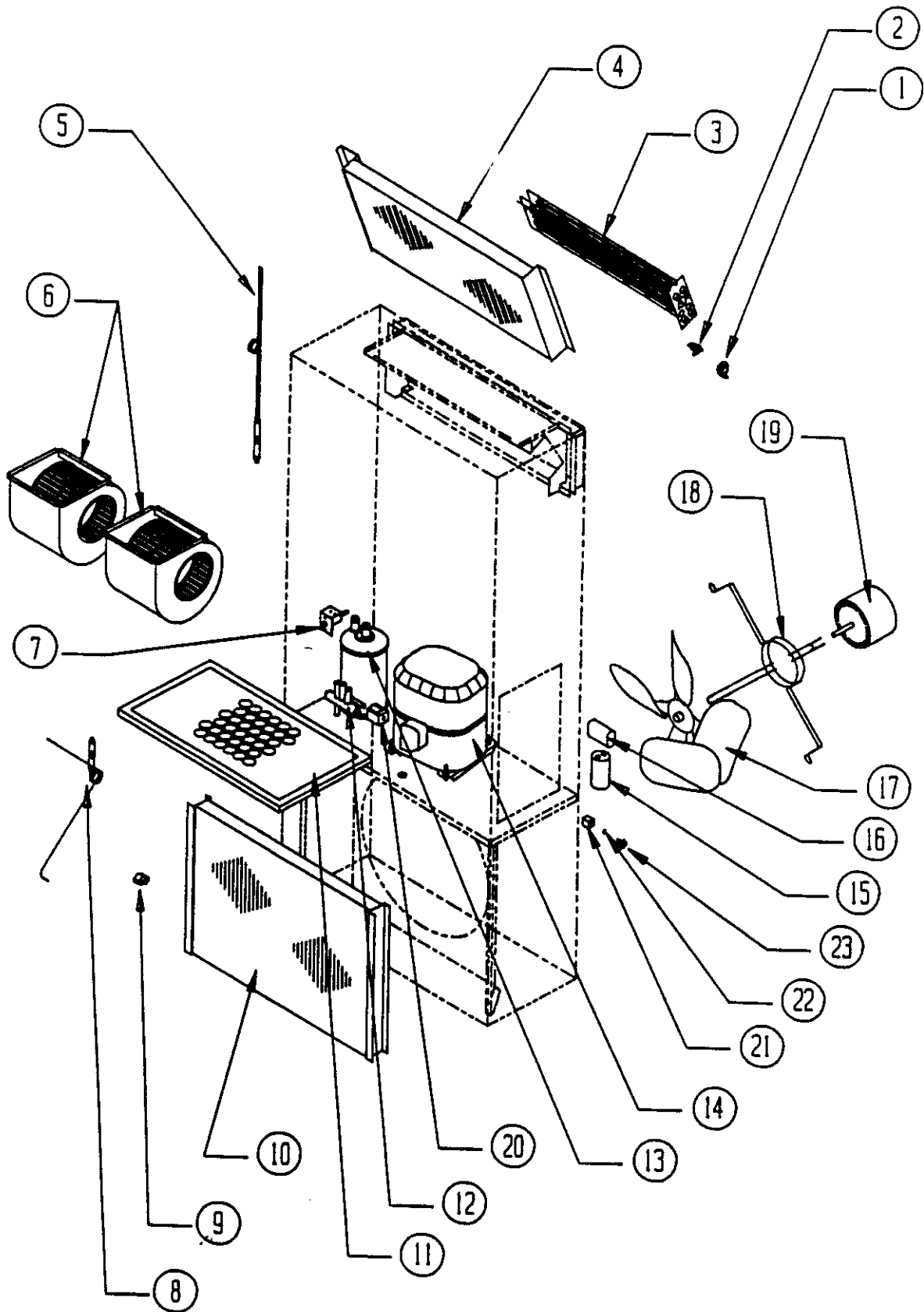
Date: 7-11-89  
Supersedes:

CABINET COMPONENTS

Item No.	Part No.	Description	USAGE
1	111-021	Outlet Air Frame Weld Assembly	X
2	506-096	Top Assembly	X
3	501-167	Left Side Assembly	X
4	514-058	Upper Front Assembly	X
5	142-023	Cover Plate--Fresh Air	X
6	514-057	Lower Front Assembly	X
7	118-019	Side Condenser Grille	2
8	118-018	Front Condenser Grille	X
9	126-001	Lower Base	X
10	124-014	Fan Shroud	X
11	127-122	Compressor Base Weld Assembly	X
12	108-057	Lower Back	X
13		Control Panel Cover (See control panel drawing & parts list)	X
14	132-071	Outside Control Panel Cover	X
15		Control Panel Assembly (See control panel drawing & parts list)	X
16	520-095	Compressor Partition Assembly	X
17	542-001	Side Cover Plate Assembly	X
18	501-166	Right Side Assembly	X
19	111-018	Inlet Air Frame	X
20	508-064	Upper Back Assembly	X
21	121-094	Water Pan/Blower Partition	X
22	112-002	Side Mounting Bracket	2
23	112-001	Bottom Mounting Bracket	X

Date: 7-11-89  
Supersedes:

FUNCTIONAL COMPONENTS



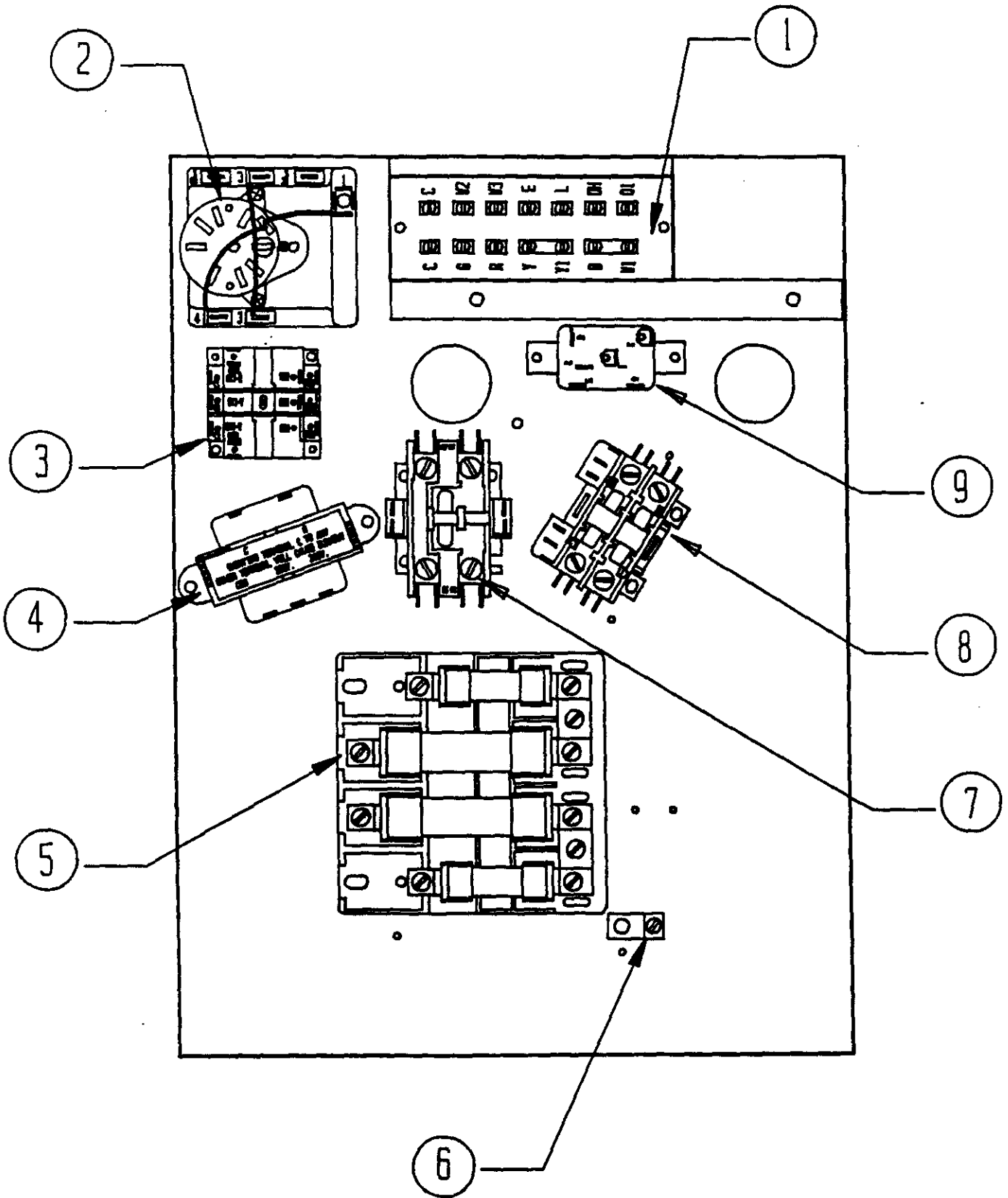
Date: 7-11-89  
Supersedes:

FUNCTIONAL COMPONENTS

Item No.	Part No.	Description	M	M	M	M	M	M	M	M	M	M	M	M	M	M	M
			H	H	H	H	H	H	H	H	H	H	H	H	H	H	H
			3	3	3	3	3	3	3	3	3	3	3	3	3	3	3
			0	0	0	0	0	0	0	6	6	6	6	6	6	6	6
			A	A	A	A	A	A	A	A	A	A	A	A	A	A	A
				-	-	-	-	-	-								
				A	A	A	A	A	A								
				0	1	0	0	0	1								
				5	0	0	0	5	0								
								/	/								
								C	C								
1	8402-047	Limit Control		X	X			X	X			X	X			X	X
2	8402-025	Thermal Cutoff		1	2			1	2			1	2			1	2
3	8604-089	Heat Strip 5KW		X				X				X				X	
3	8604-091	Heat Strip 10KW			X				X			X					X
4	5060-049	Evaporator Coil	X	X	X	X	X	X	X	X	X	X	X	X	X	X	X
5	800-0081	Capillary Tube Assembly (Cooling)	X	X	X	X	X	X									
5	800-0082	Capillary Tube Assembly (Cooling)								X	X	X	X	X	X	X	X
6	900-059	Blower Assembly (Complete)	X	X	X	X	X	X	X	X	X	X	X	X	X	X	X
7	8406-010	High Pressure Switch	X	X	X	X	X	X	X	X	X	X	X	X	X	X	X
8	800-0079	Capillary Tube Assembly (Heating)	1	1	1	1	1	1									
8	800-0080	Capillary Tube Assembly (Heating)								1	1	1	1	1	1	1	1
9	8408-016	Defrost Thermostat	X	X	X	X	X	X	X	X	X	X	X	X	X	X	X
10	5051-049	Condenser Coil	X	X	X	X	X	X	X	X	X	X	X	X	X	X	X
11	7004-006	Filter 14x25x1	X	X	X	X	X	X	X	X	X	X	X	X	X	X	X
12	5650-013	Reversing Valve	X	X	X	X	X	X	X	X	X	X	X	X	X	X	X
13	5202-016	Accumulator	X	X	X	X	X	X	X	X	X	X	X	X	X	X	X
14	8000-087	Compressor H23A383ABCA								X	X	X	X	X	X	X	X
14	8000-099	Compressor H23B283ABCA	X	X	X	X	X	X									
15	8552-032	Capacitor 35/370V	X	X	X	X	X	X									
15	8552-028	Capacitor 35/440V								X	X	X	X	X	X	X	X
16	8552-002	Capacitor 5/370V	X	X	X	X	X	X	X	X	X	X	X	X	X	X	X
17	5151-032	Fan Blade	X	X	X	X	X	X	X	X	X	X	X	X	X	X	X
18	8200-001	Motor Mount--Fan	X	X	X	X	X	X	X	X	X	X	X	X	X	X	X
19	8103-019	Motor--Condenser	X	X	X	X	X	X	X	X	X	X	X	X	X	X	X
20	5650-008	Reversing Valve Solenoid Coil	X	X	X	X	X	X	X	X	X	X	X	X	X	X	X
21	1171-023	Receptacle	X	X	X	X	X	X	X	X	X	X	X	X	X	X	X
22	1171-024	Retainer Clip	X	X	X	X	X	X	X	X	X	X	X	X	X	X	X
23	1171-022	1/4 Turn Fastener	X	X	X	X	X	X	X	X	X	X	X	X	X	X	X

Date: 1-25-90  
Supersedes: 7-11-89

CONTROL PANEL



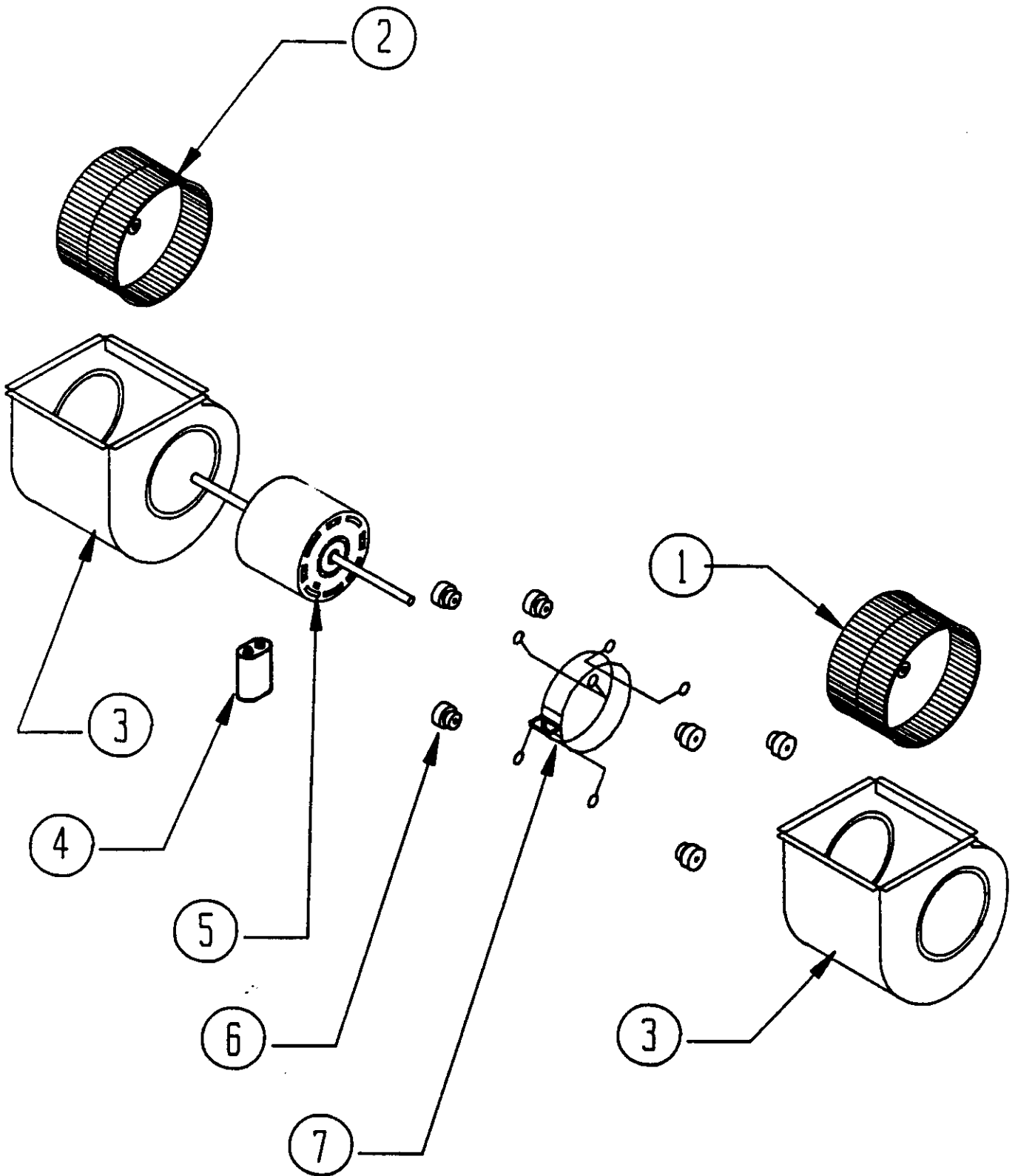
Date: 7-11-89  
Supersedes:

CONTROL PANEL

Item No.	Part No.	Description	M	M	M	M	M	M	M	M	M	M	M	M
			H	H	H	H	H	H	H	H	H	H	H	H
			P	P	P	P	P	P	P	P	P	P	P	P
			3	3	3	3	3	3	3	3	3	3	3	3
			0	0	0	0	0	0	0	6	6	6	6	6
			A	A	A	A	A	A	A	A	A	A	A	A
			-	-	-	-	-	-	-	-	-	-	-	-
				A	A	A	A	A		A	A	A	A	A
				0	1	0	0	1		0	1	0	0	1
				5	0	0	5	0		5	0	0	5	0
						/	/	/				/	/	/
						C	C	C				C	C	C
1	8607-019	Low Voltage Terminal Strip	X	X	X	X	X	X	X	X	X	X	X	X
2	8612-012	Timer	X	X	X	X	X	X	X	X	X	X	X	X
3	8201-047	Defrost Relay	X	X	X	X	X	X	X	X	X	X	X	X
4	8407-035	Transformer	X	X	X	X	X	X	X	X	X	X	X	X
5	8607-013	Terminal Block	X	X				X	X	X				X
5	8615-013	Circuit Breaker						X						X
5	8615-014	Circuit Breaker				X								
5	8615-015	Circuit Breaker					X	X				X		
5	8615-016	Circuit Breaker					X	X				X	X	
5	8614-017	Fuse Block			X					X				
6	8611-006	Ground Terminal	X	X	X	X	X	X	X	X	X	X	X	X
7	8401-007	Contactor (Comp)	X	X	X	X	X	X	X	X	X	X	X	X
8	8401-006	Contactor (Heat)		X	X		X	X		X	X		X	X
9	8201-009	Relay--Blower	X	X	X	X	X	X	X	X	X	X	X	X
	4083-110	Wiring Diagram	X					X						
	4083-111	Wiring Diagram				X						X		
	4083-120	Wiring Diagram		X						X				
	4083-121	Wiring Diagram					X						X	
	4083-130	Wiring Diagram			X					X				
	4083-131	Wiring Diagram					X							X
	132-072	Control Panel Cover	X	X				X	X					
	132-097	Control Panel Cover				X	X	X				X	X	X
	133-075	Control Panel Cover			X					X				

Date: 1-25-90  
Supersedes: 7-11-89

BLOWER ASSEMBLY



Date: 7-11-89  
Supersedes:



BLOWER ASSEMBLY

Dwg. No.	Part No.	Description	9 0 0 - 0 5 9
1	5152-055	Blower Wheel CCW	X
2	5152-056	Blower Wheel CW	X
3	5152-054	Blower Housing	2
4	8552-004	Capacitor 7-1/2 / 370V	X
5	8106-022	Motor--Evaporator	X
6	5451-011	Grommet	6
7	8200-032	Motor Mount--Blower	X
8	5152-056	Blower Wheel CCW	X

\*900-059 blower assembly must be operated on high speed only for all 15KW units.

Date: 1-25-90  
Supersedes: 7-11-89

