

# REPLACEMENT PARTS MANUAL

## WALL MOUNTED PACKAGE HEAT PUMP MODEL 36WH7 (SUFFIX D016 MODELS)

Manual 2110-509

Revision

Date 1-24-91

Supersedes

\*\*\*\*\*  
\* GENERAL NOTES \*  
\*\*\*\*\*

\*Revised and/or additional pages may be issued from time to time.  
\*A complete and current manual consists of pages dated as shown in the following index.

\*\*\*\*\*  
\*\* INDEX \*\*  
\*\*\*\*\*

<u>Page Description</u>	<u>Page</u>	<u>Date</u>	<u>Supersedes</u>
Cabinet Components--Exploded View	1	1-24-91	
"          "--Usage List	2	1-24-91	
Functional Components--Exploded View	3	1-24-91	
"          "--Usage List	4	1-24-91	
Control Panel W/Circuit Breaker--Layout	5	1-24-91	
--Usage List	6	1-24-91	
Blower Assembly--Exploded View	7	1-24-91	
"          "--Usage List	8	1-24-91	

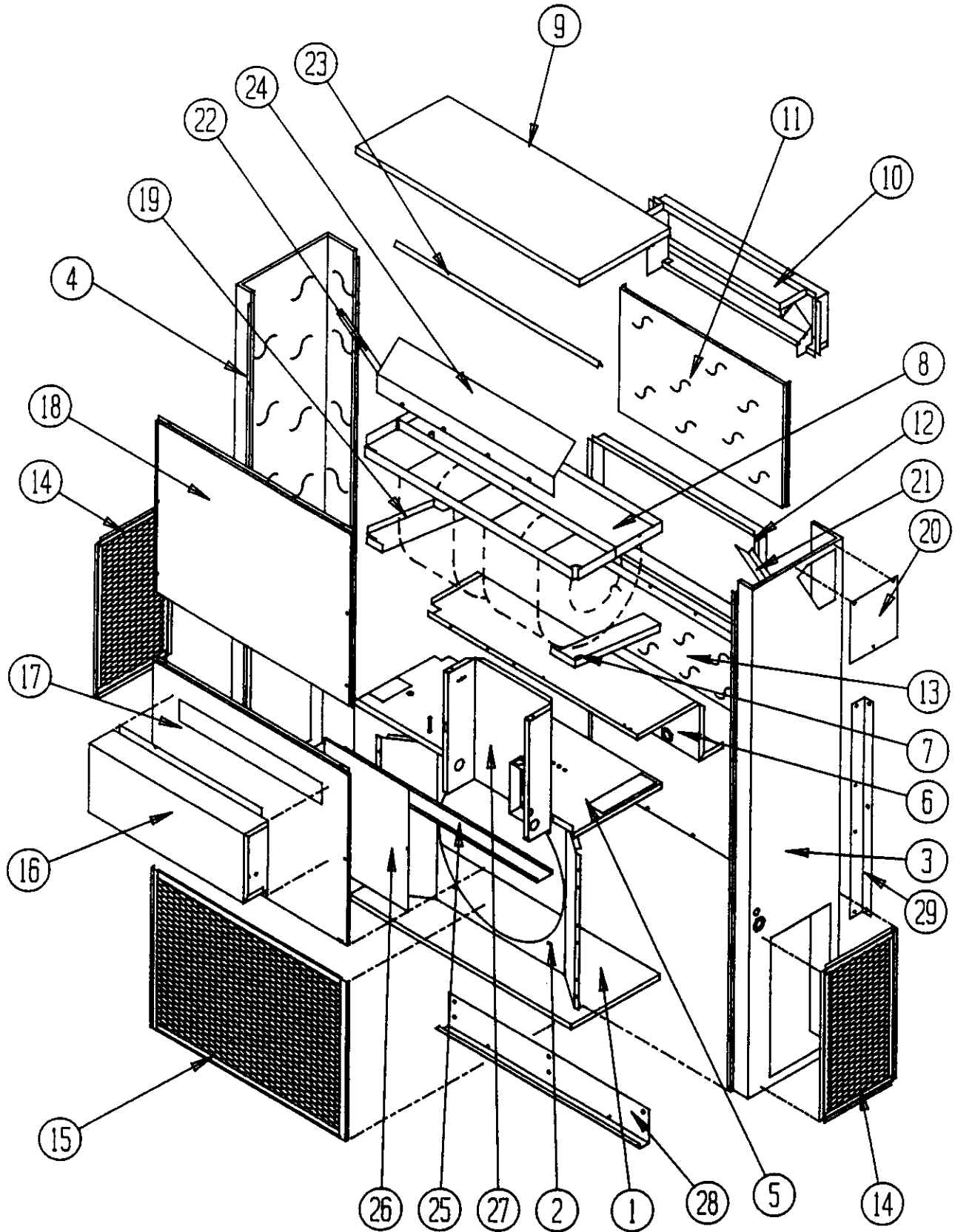
\*\*\*\*\*  
\*\*\* IMPORTANT \*\*\*  
\*\*\*\*\*

Contact the installing and/or local Bard distributor for all parts requirements. Make sure you have the complete model and serial number available from the unit rating plate.

BARD MANUFACTURING COMPANY

BRYAN, OHIO 43506

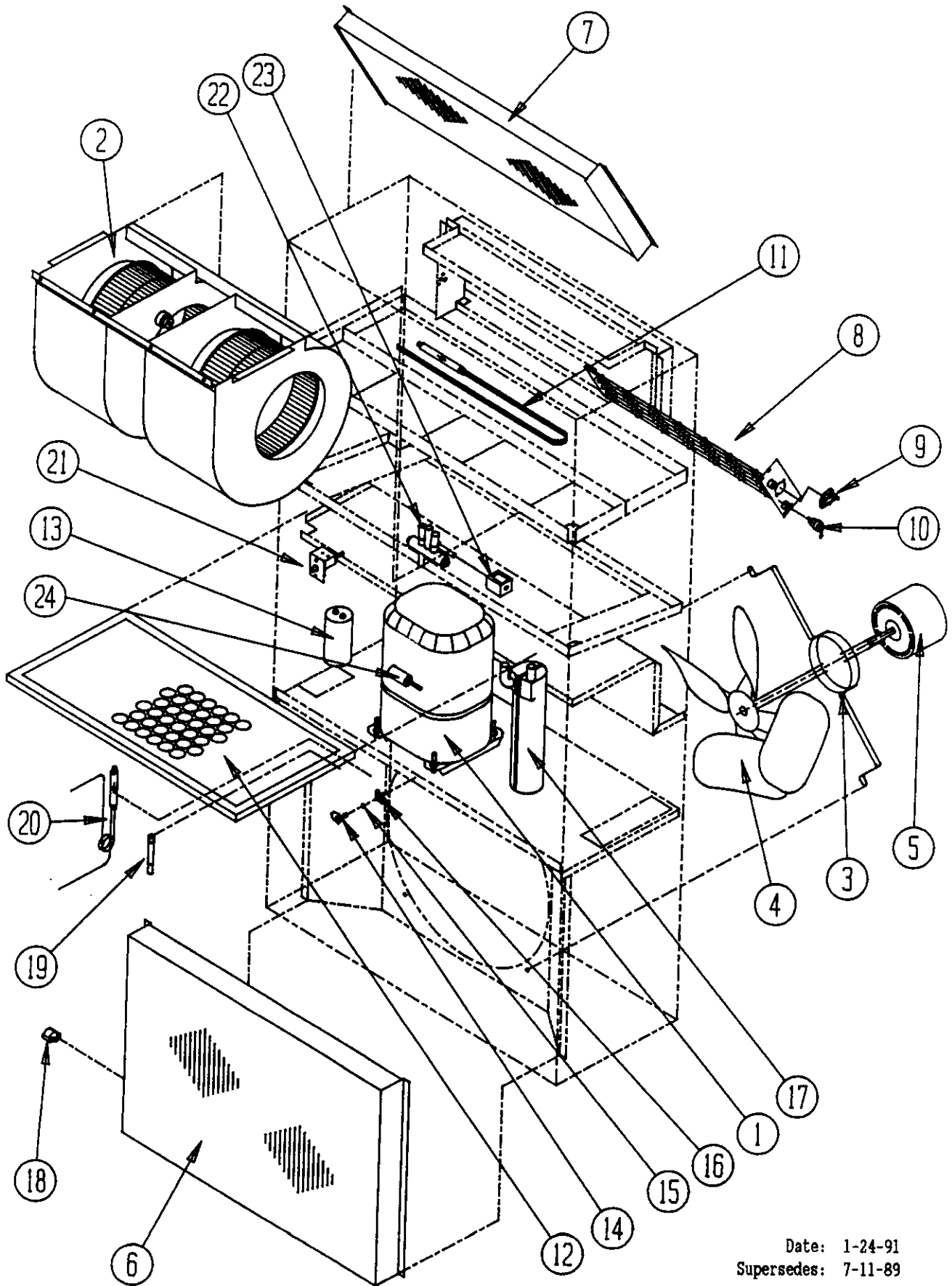
CABINET COMPONENTS



CABINET COMPONENTS

Dwg. No.	Part No.	Description	S T A N D A R D
1	126-003	Lower Base	X
2	124-019	Fan Shroud	X
3	501-224	Right Side	X
4	501-225	Left Side	X
5	127-098	Compressor Base	X
6	520-097	Compressor Partition	X
7	130-076	Filter Bracket (Right)	X
8	521-004	Blower Partition/Drain Pan Assembly	X
9	506-095	Top	X
10	111-017	Outlet Airframe Assembly	X
11	508-056	Upper Back	X
12	111-018	Inlet Air Frame Assembly	X
13	508-057	Lower Back	X
14	119-004	Side Grille	2
15	119-003	Condenser Grille	X
16	962004	Fresh Air Damper Assembly PAD25B	X
17	552-107	Service Door	X
18	514-046	Upper Front	X
19	130-077	Filter Bracket (Left)	X
20	542X004	Right Side Cover Plate	X
21	141-006	Right Evaporator Support	X
22	141-007	Left Evaporator Support	X
23	134-072	Evaporator Fill Plate	X
24	134-008	Air Baffle	X
25	136-130	Condenser Coil Spacer	X
26	Cntrl.Cvr.	See Control Panel Assembly Drawing and Parts List	X
27	Cntrl.Pnl. Assembly	See Control Panel Assembly Drawing and Parts List	X
28	112-006	Bottom Mounting Bracket	X
29	112-002	Side Mounting Bracket	2

FUNCTIONAL COMPONENTS

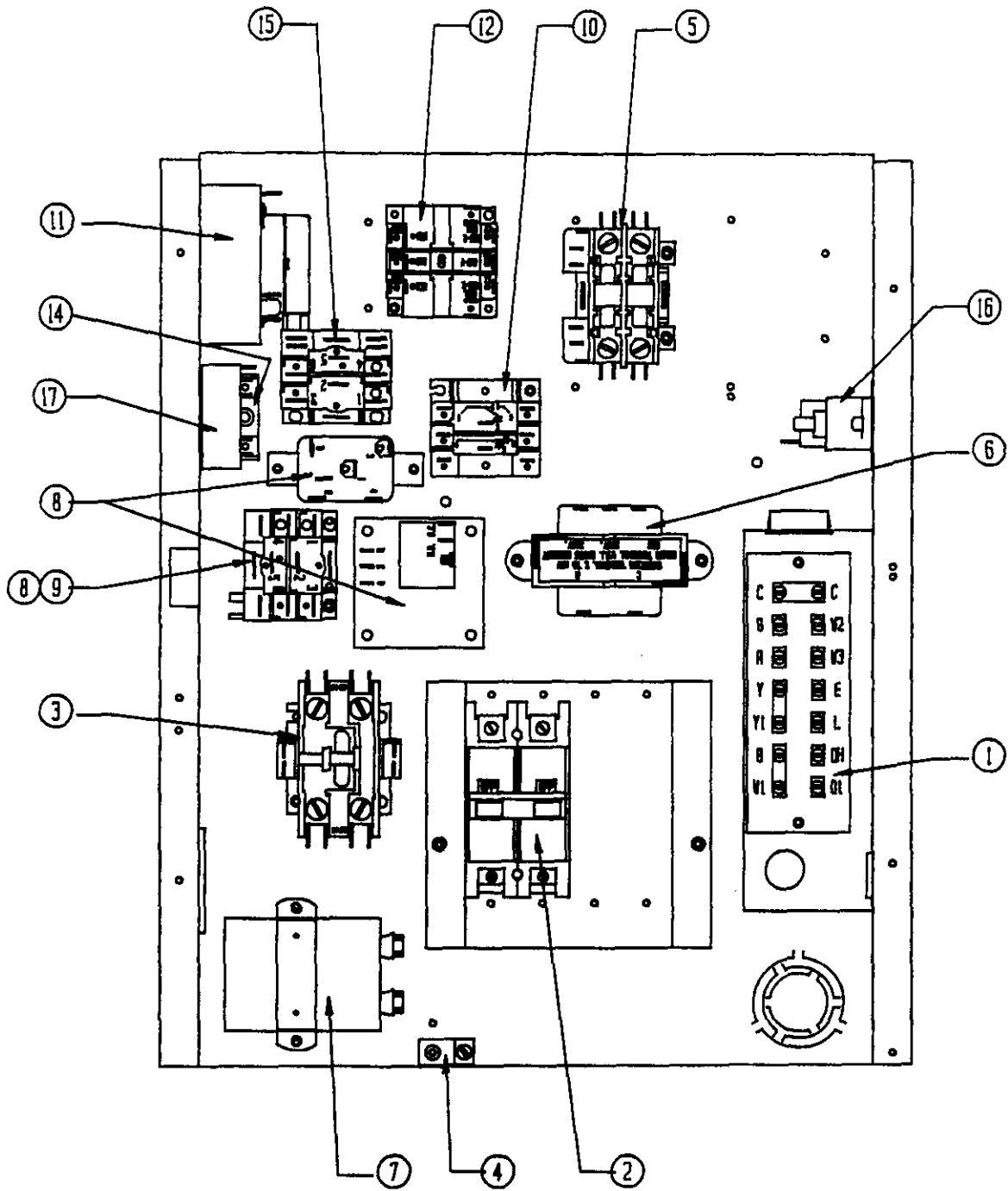


Date: 1-24-91  
Supersedes: 7-11-89

FUNCTIONAL COMPONENTS

Dwg. No.	Part No.	Description	367100C	367105C	367110C	367150C	367160C	367170C	367180C	367190C	367200C	367210C	367220C
1	8000-058	Compressor CRJ3-0300-PFV	X	X	X	X							
1	8000-059	Compressor CRJ3-0300-TF5					X	X	X	X			
1	8000-060	Compressor CRJ3-0300-TFD									X	X	X
2	900-039	Blower Assembly (Complete)	X	X	X	X	X	X	X	X			
2	900-070	Blower Assembly (Complete)									X	X	X
3	8200-001	Motor Mount (Condenser)	X	X	X	X	X	X	X	X	X	X	X
4	5151-032	Fan Blade	X	X	X	X	X	X	X	X	X	X	X
5	8103-019	Condenser Motor	X	X	X	X	X	X	X	X			
5	8103-014	Condenser Motor									X	X	X
6	5051-053	Condenser Coil	X	X	X	X	X	X	X	X	X	X	X
7	5060-052	Evaporator Coil	X	X	X	X	X	X	X	X	X	X	X
8	8604-089	Heat Strip		X									
8	8604-091	Heat Strip			X								
8	8604-047	Heat Strip				X							
8	8604-048	Heat Strip						X	X				
8	8604-049	Heat Strip					X		X				
8	8604-072	Heat Strip										X	X
8	8604-079	Heat Strip											X
9	8402-031	Limit Control		X	X	X		X	X	X			
9	8402-060	Limit Control										X	X
10	8402-030	Thermal Cut-Off											
10	8402-032	Thermal Cut-Off		X	2	3		2	2	4			
10	8402-059	Thermal Cut-Off										2	4
11	800-0118	Cooling Capillary Assembly	X	X	X	X	X	X	X	X	X	X	X
12	7003-025	Air Filter Assembly	X	X	X	X	X	X	X	X	X	X	X
13	8552-028	Capacitor 35/440	X	X	X	X							
14	1171-019	1/4 Turn Fastener	X	X	X	X	X	X	X	X	X	X	X
15	1171-021	Fastener Retainer	X	X	X	X	X	X	X	X	X	X	X
16	1171-020	Fastener Receptacle	X	X	X	X	X	X	X	X	X	X	X
17	5202-016	Accumulator	X	X	X	X	X	X	X	X	X	X	X
18	8408-016	Defrost Thermostat	X	X	X	X	X	X	X	X	X	X	X
19	5651-036	Check Valve	X	X	X	X	X	X	X	X	X	X	X
20	800-0144	Heating Capillary Assembly	X	X	X	X	X	X	X	X	X	X	X
21	8406-010	High Pressure Switch	X	X	X	X	X	X	X	X	X	X	X
22	5650-013	Reversing Valve	X	X	X	X	X	X	X	X	X	X	X
23	5650-008	Solenoid Coil	X	X	X	X	X	X	X	X	X	X	X
24	8406-049	Low Pressure Switch	X	X	X	X	X	X	X	X	X	X	X

CONTROL PANEL WITH CIRCUIT BREAKER



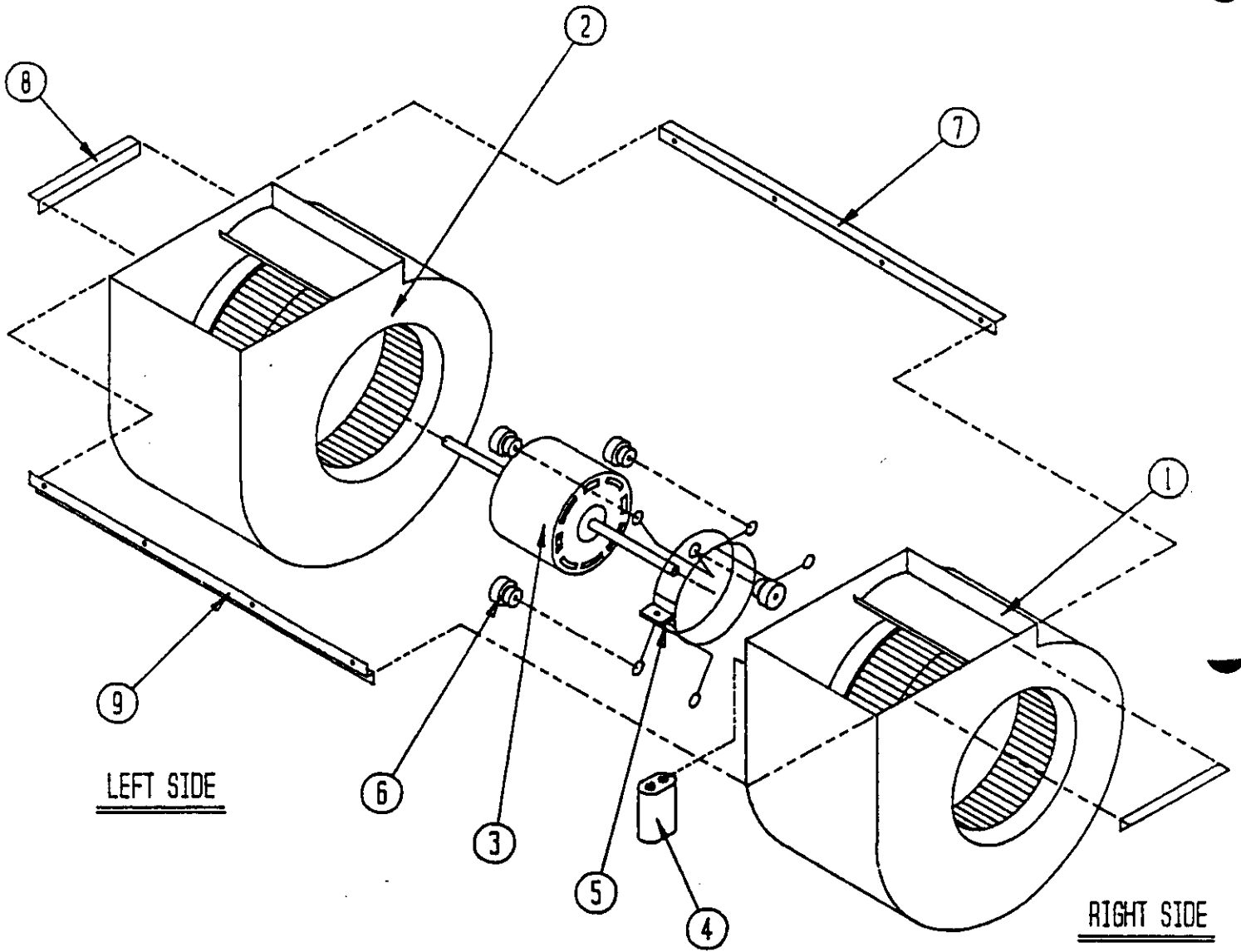
Date: 1-24-91  
Supersedes: 6-15-90

CONTROL PANEL  
WITH CIRCUIT BREAKER

Dwg. No.	Part No.	Description	3	3	3	3	3	3	3	3	3	3
			6	6	6	6	6	6	6	6	6	6
			W	W	W	W	W	W	W	W	W	W
			H	H	H	H	H	H	H	H	H	H
			7	7	7	7	7	7	7	7	7	7
			A	A	A	A	B	B	B	C	C	C
			0	0	1	1	0	0	1	0	0	1
			0	5	0	5	0	9	5	0	9	5
			C	C	C	C	C	C	C	C	C	C
1	8607-019	Low Voltage Terminal Strip	X	X	X	X	X	X	X	X	X	X
2	8615-015	Circuit Breaker	X									
2	8615-016	Circuit Breaker		X	X	2						
2	8615-013	Circuit Breaker			X							
2	8615-020	Circuit Breaker					X					
2	8615-011	Circuit Breaker					X	X				
2	8615-029	Circuit Breaker							X			
2	8615-032	Circuit Breaker								X	X	
3	8401-007	Compressor Contactor	X	X	X	X						
3	8401-002	Compressor Contactor					X	X	X	X	X	X
4	8611-006	Ground Terminal	X	X	2	2	X	X	X	X	X	X
5	8401-006	Heat Contactor		X	X	2		X	2			
5	8401-002	Heat Contactor									X	2
6	8407-035	Transformer	X	X	X	X	X	X	X			
6	8407-040	Transformer								X	X	X
7	8552-002	Condenser Fan Capacitor	X	X	X	X	X	X	X	X	X	X
8	8201-032	Blower Relay								X	X	X
8	8201-009	Blower Relay (See Note)	A	A	A	A	A	A	A			
8	8201-056	Blower Control (See Note)	B	B	B	B	B	B	B			
9	8201-024	Compressor Fault Relay	X	X	X	X						
10	8201-013	Emergency Heat Relay				X			X			X
11	8612-012	Defrost Timer	X	X	X	X	X	X	X	X	X	X
12	8201-047	Defrost Relay	X	X	X	X	X	X	X	X	X	X
14	8607-017	Motor Speed Terminal Block								X	X	X
15	8201-032	Blower Relay								X	X	X
16	8201-045	Time Delay Relay								X	X	X
17	8201-050	Time Delay Relay (Compressor)	X	X	X	X	X	X	X	X	X	X
	4013-112	Wiring Diagram	X									
	4013-122	Wiring Diagram		X								
	4013-132	Wiring Diagram			X							
	4013-142	Wiring Diagram				X						
	4013-212	Wiring Diagram					X					
	4013-222	Wiring Diagram						X				
	4013-232	Wiring Diagram							X			
	4013-312	Wiring Diagram								X		
	4013-324	Wiring Diagram									X	
	4013-332	Wiring Diagram										X
	132-050	Control Panel Cover								X	X	X
	132-098	Control Panel Cover	X	X	X	X	X	X	X			

NOTES: (A) Used on units produced before date code H90.  
(B) Used on units produced with date code H90 and subsequent units.

BLOWER ASSEMBLY



Date: 7-11-89  
Supersedes:



BLOWER ASSEMBLY

Dwg. No.	Part No.	Description	9 0 0   0 3 9	9 0 0   0 7 0
1	5152-051	Housing, Wheel and Cutoff (CW)	X	X
2	5152-052	Housing, Wheel and Cutoff	X	X
3	8105-029	Blower Motor (230/208)	X	
3	8105-033	Blower Motor (460)		X
4	8552-002	Capacitor	X	X
5	8200-031	Motor Mount	X	X
6	5451-011	Grommets	6	6
7	104-505	Back Brace	X	X
8	104-001	Side Angle	2	2
9	102-300	Front Brace	X	X

Date: 7-11-89  
Supersedes:

