

REPLACEMENT PARTS MANUAL

WALL MOUNTED PACKAGE HEAT PUMP MODEL 30WH6 (SUFFIX D016 MODELS)

Manual 2110-511

Revision

Date 02-20-91

Supersedes

* GENERAL NOTES *

*Revised and/or additional pages may be issued from time to time.
*A complete and current manual consists of pages dated as shown in the following index.

** INDEX **

<u>Page Description</u>	<u>Page</u>	<u>Date</u>	<u>Supersedes</u>
Cabinet Components--Exploded View	1	2-20-91	
" " --Usage List	2	2-20-91	
Functional Components--Exploded View	3	2-20-91	
" " --Usage List	4	2-20-91	
Control Panel W/Circuit Breaker--Layout	5	2-20-91	
" " --Usage List	6	2-20-91	
Blower Assembly--Exploded View	7	2-20-91	
" " --Usage List	8	2-20-91	

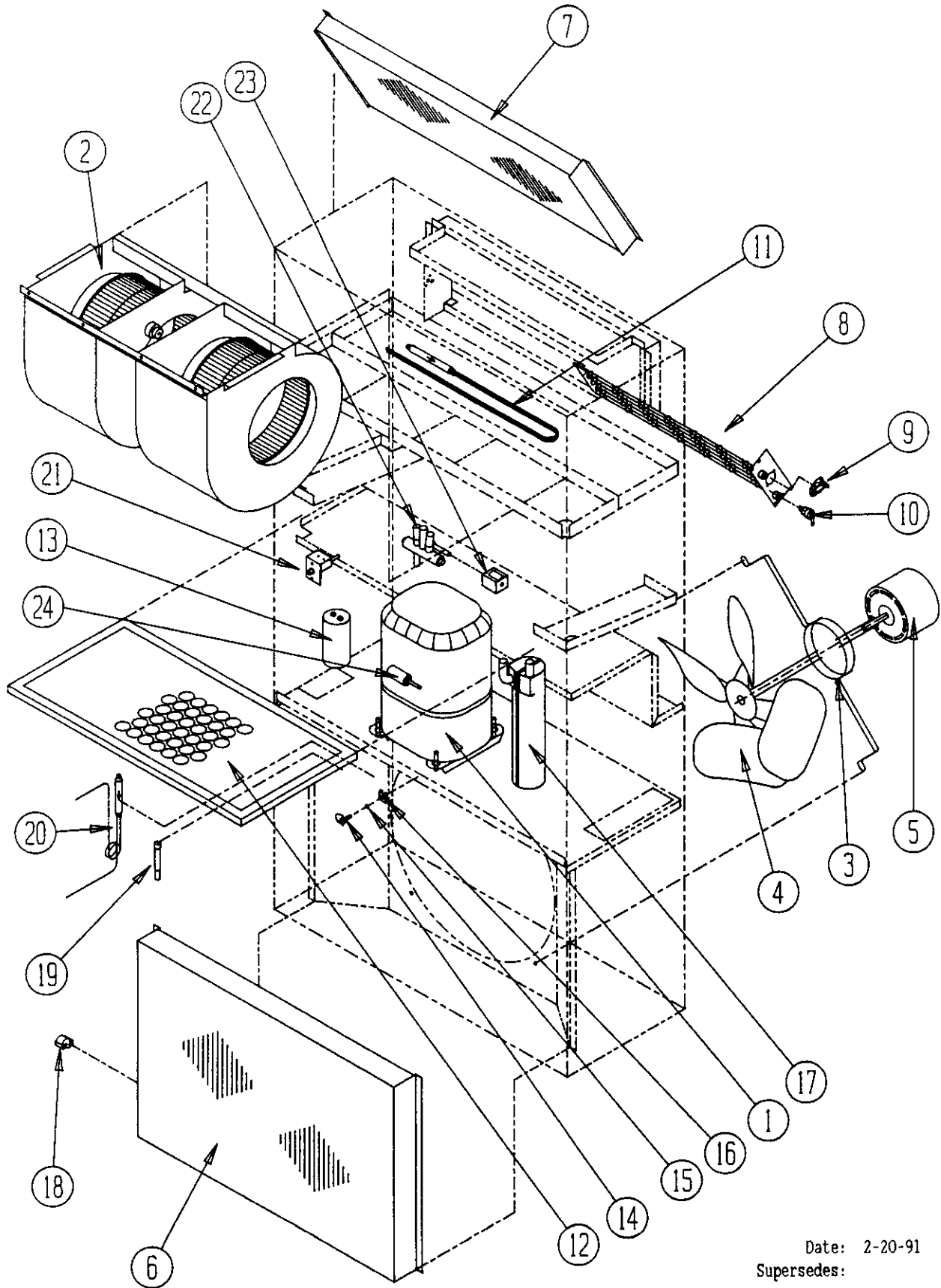
*** IMPORTANT ***

Contact the installing and/or local Bard distributor for all parts requirements. Make sure you have the complete model and serial number available from the unit rating plate.

BARD MANUFACTURING COMPANY

BRYAN, OHIO 43506

FUNCTIONAL COMPONENTS



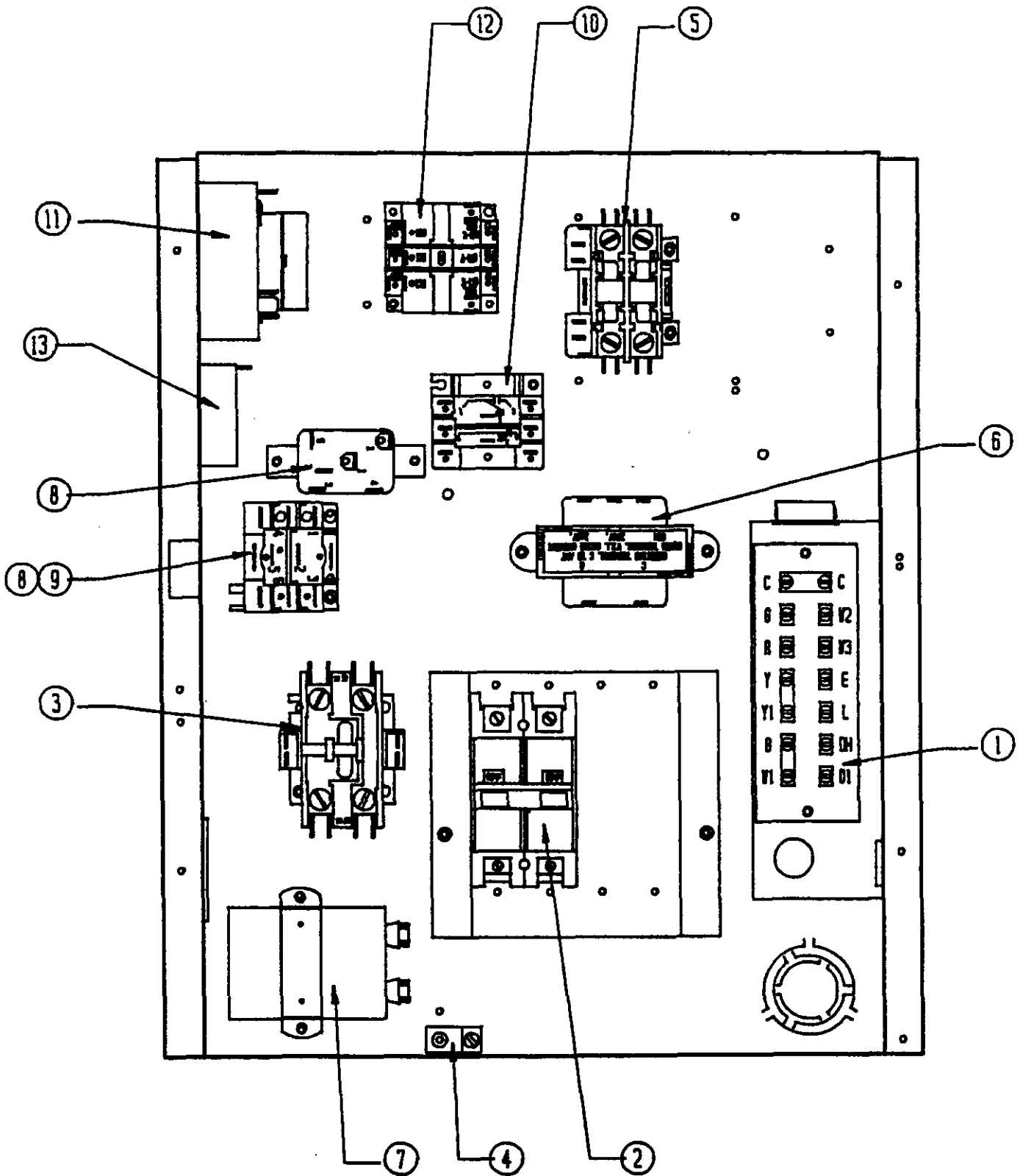
Date: 2-20-91
Supersedes:

FUNCTIONAL COMPONENTS

Dwg. No.	Part No.	Description	3 0 W H 6 A O O C	3 0 W H 6 A O 5 C	3 0 W H 6 A O O C	3 0 W H 6 A O 5 C
1	8000-099	Compressor H23B283ABCA	X	X	X	X
2	900-039	Blower Assembly (Complete)	X	X	X	X
3	8200-001	Motor Mount (Condenser)	X	X	X	X
4	5151-032	Fan Blade	X	X	X	X
5	8103-016	Condenser Motor	X	X	X	X
6	5051-052	Condenser Coil	X	X	X	X
7	5060-052	Evaporator Coil	X	X	X	X
8	8604-089	Heat Strip		X		
8	8604-091	Heat Strip			X	
8	8604-047	Heat Strip				X
9	8402-031	Limit Control		X	X	X
10	8402-032	Thermal Cutoff		X	2	3
11	800-0121	Cooling Capillary Assembly	X	X	X	X
12	7003-025	Air Filter	X	X	X	X
13	8552-032	Capacitor (Compressor)	X	X	X	X
14	1171-019	1/4 Turn Fastener	X	X	X	X
15	1171-021	Fastener Retainer	X	X	X	X
16	1171-020	Fastener Retainer	X	X	X	X
17	5202-016	Accumulator	X	X	X	X
18	8408-018	Defrost Thermostat	X	X	X	X
19	5651-036	Check Valve	X	X	X	X
20	800-0122	Heating Capillary Assembly	X	X	X	X
21	8406-010	High Pressure Switch	X	X	X	X
22	5650-013	Reversing Valve	X	X	X	X
23	5650-008	Solenoid Coil	X	X	X	X
24	8406-049	Low Pressure Switch	X	X	X	X

Date: 2-20-91
Supersedes:

CONTROL PANEL WITH CIRCUIT BREAKER



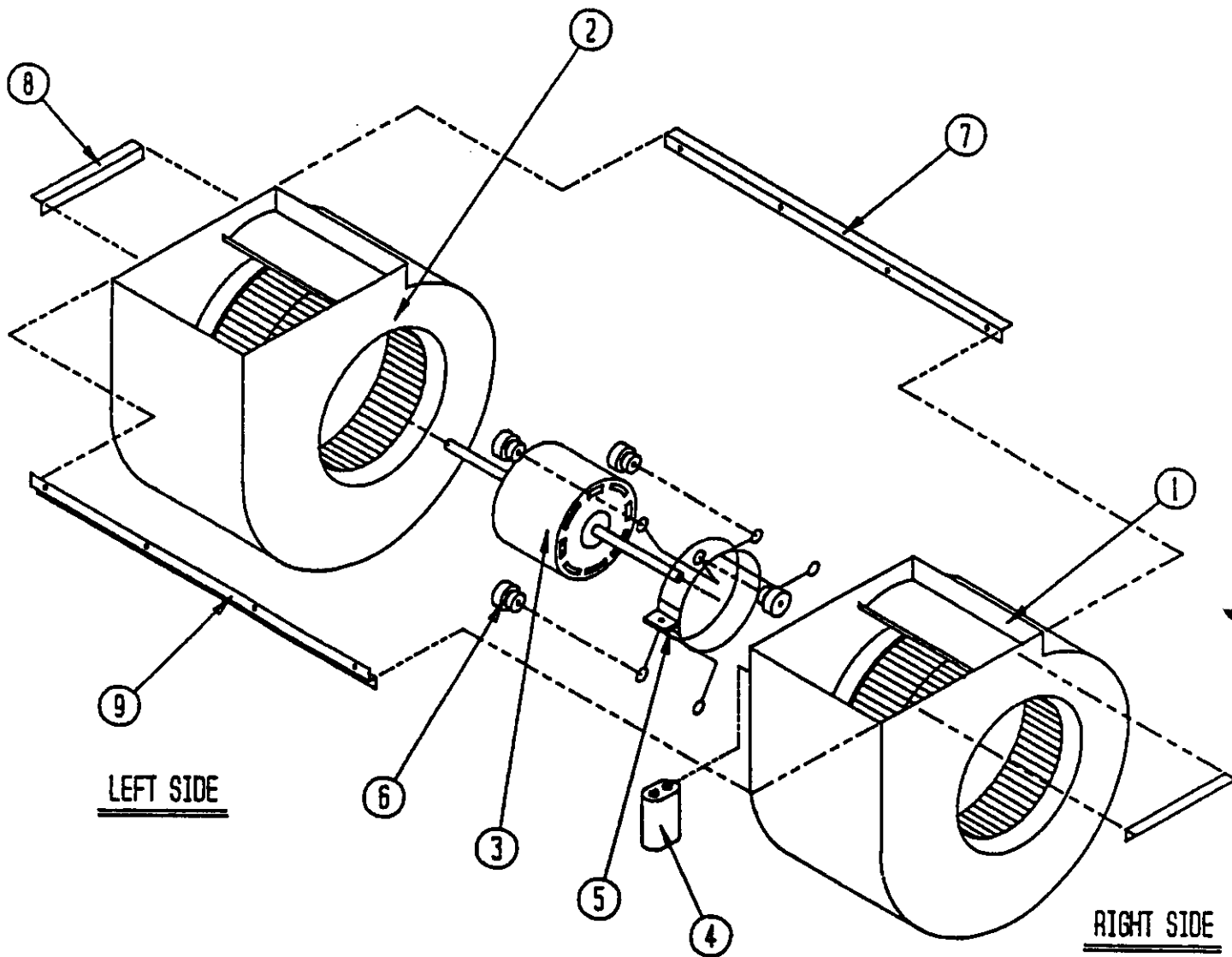
Date: 2-20-91
 Supersedes:

CONTROL PANEL
WITH CIRCUIT BREAKER

Dwg. No.	Part No.	Description	3 O W H 6 A O O C	3 O W H 6 A O 5 C	3 O W H 6 A 1 O C	3 O W H 6 A 1 5 C
1	8607-019	Low Voltage Terminal Strip	X	X	X	X
2	8615-009	Circuit Breaker	X			
2	8615-015	Circuit Breaker		X	X	X
2	8615-013	Circuit Breaker			X	
2	8615-016	Circuit Breaker				X
3	8401-007	Compressor Contactor	X	X	X	X
4	8611-006	Ground Terminal	X	X	2	2
5	8401-006	Heat Contactor		X	X	2
6	8407-035	Transformer	X	X	X	X
7	8552-002	Condenser Fan Capacitor	X	X	X	X
8	8201-009	Blower Relay	X	X	X	X
9	8201-024	Compressor Fault Relay	X	X	X	X
10	8201-013	Emergency Heat Relay				X
11	8612-012	Defrost Timer	X	X	X	X
12	8201-047	Defrost Relay	X	X	X	X
13	8201-050	Time Delay Relay (Compressor)	X	X	X	X
	4012-112	Wiring Diagram	X			
	4012-122	Wiring Diagram		X		
	4012-132	Wiring Diagram			X	
	4012-142	Wiring Diagram				X
	132-098	Control Panel Cover	X	X	X	X

Date: 2-20-91
Supersedes:

BLOWER ASSEMBLY



Date: 2-20-91
Supersedes:

BLOWER ASSEMBLY

Dwg. No.	Part No.	Description	9 0 0 0 3 9	9 0 0 0 7 0
1	5152-051	Housing, Wheel and Cutoff (CW)	x	x
2	5152-052	Housing, Wheel and Cutoff	x	x
3	8105-029	Blower Motor (230/208)	x	
3	8105-033	Blower Motor (460)		x
4	8552-002	Capacitor	x	x
5	8200-031	Motor Mount	x	x
6	5451-011	Grommets	6	6
7	104-505	Back Brace	x	x
8	104-001	Side Angle	2	2
9	102-300	Front Brace	x	x

Date: 2-20-91
Supersedes:

