

REPLACEMENT PARTS MANUAL

WALL MOUNTED PACKAGE HEAT PUMP MODELS 60WH1 (SUFFIX D016 MODELS)

Manual 2110-514

Revision

Date 2-20-91

Supersedes

* GENERAL NOTES *

*Revised and/or additional pages may be issued from time to time.
*A complete and current manual consists of pages dated as shown in the following index.

** INDEX **

<u>Page Description</u>	<u>Page</u>	<u>Date</u>	<u>Supersedes</u>
Cabinet Components--Exploded View	1	2-20-91	
" " --Usage List	2	2-20-91	
Functional Components--Exploded View	3	2-20-91	
" " --Usage List	4	2-20-91	
Control Panel W/Circuit Breaker--Layout	5	2-20-91	
" " " " --Usage List	6	2-20-91	
Blower Assembly--Exploded View	7	2-20-91	
" " --Usage List	8	2-20-91	

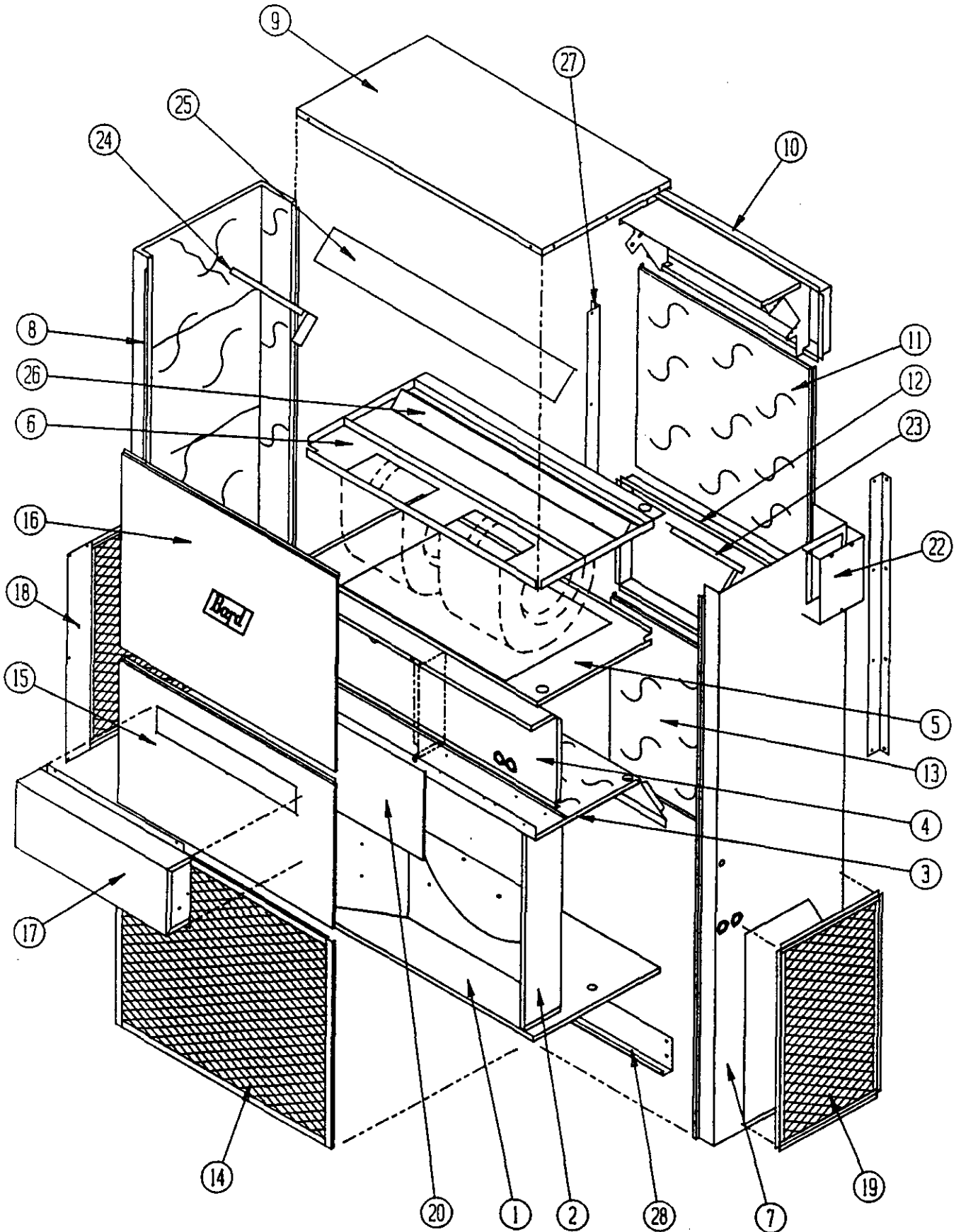
*** IMPORTANT ***

Contact the installing and/or local Bard distributor for all parts requirements. Make sure you have the complete model and serial number available from the unit rating plate.

BARD MANUFACTURING COMPANY

BRYAN, OHIO 43506

CABINET COMPONENTS



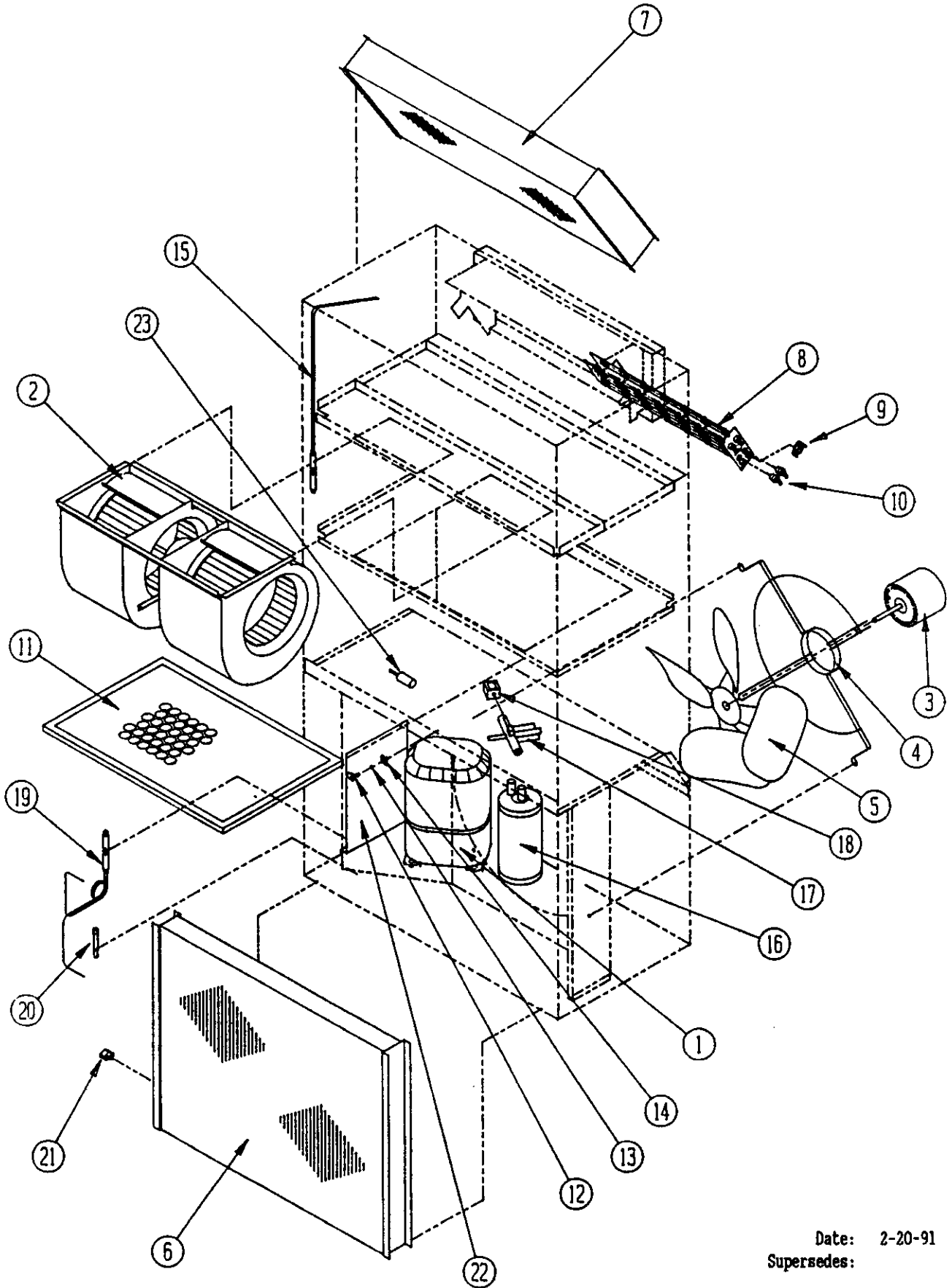
Date: 2-20-91
Supersedes:

CABINET COMPONENTS

Item	Part No.	Description	6 O W H 1 A	6 O W H 1 B, C
1	127-005	Lower Base		X
1	127-156	Lower Base	X	
2	124-003	Fan Shroud	X	X
3	520-133	Condenser Partition	X	X
4	Control Pnl. Assy.	See Control Panel Assembly Drawing and Parts List	X	X
5	130-075	Filter Tray	X	X
6	521-006	Water Pan/Blower Partition	X	X
7	501-168	Right Side	X	X
8	501-169	Left Side	X	X
9	506-097	Top	X	X
10	111-019	Outlet Airframe Assembly	X	X
11	508-059	Upper Back	X	X
12	111-020	Inlet Air Frame Assembly	X	X
13	108-060	Lower Back	X	X
14	119-005	Coil Grille	X	X
15	552-108	Service Door	X	X
16	514-047	Upper Front	X	X
17	962002	Fresh Air Damper	X	X
18	119-006	Left Side Grille	X	X
19	119-008	Right Side Grille	X	X
20	Control Cover	See Control Panel Assembly Drawing and Parts List	X	X
22	542K005	Right Side Cover Plate	X	X
23	140-010	Support--Right Coil	X	X
24	140-011	Support--Left Coil	X	X
25	134-011	Top Evaporator Fill	X	X
26	136-003	Bottom Evaporator Fill	X	X
27	112-009	Side Mounting Bracket	X	X
28	112-006	Bottom Mounting Bracker	X	X

Date: 2-20-91
Supersedes:

FUNCTIONAL COMPONENTS



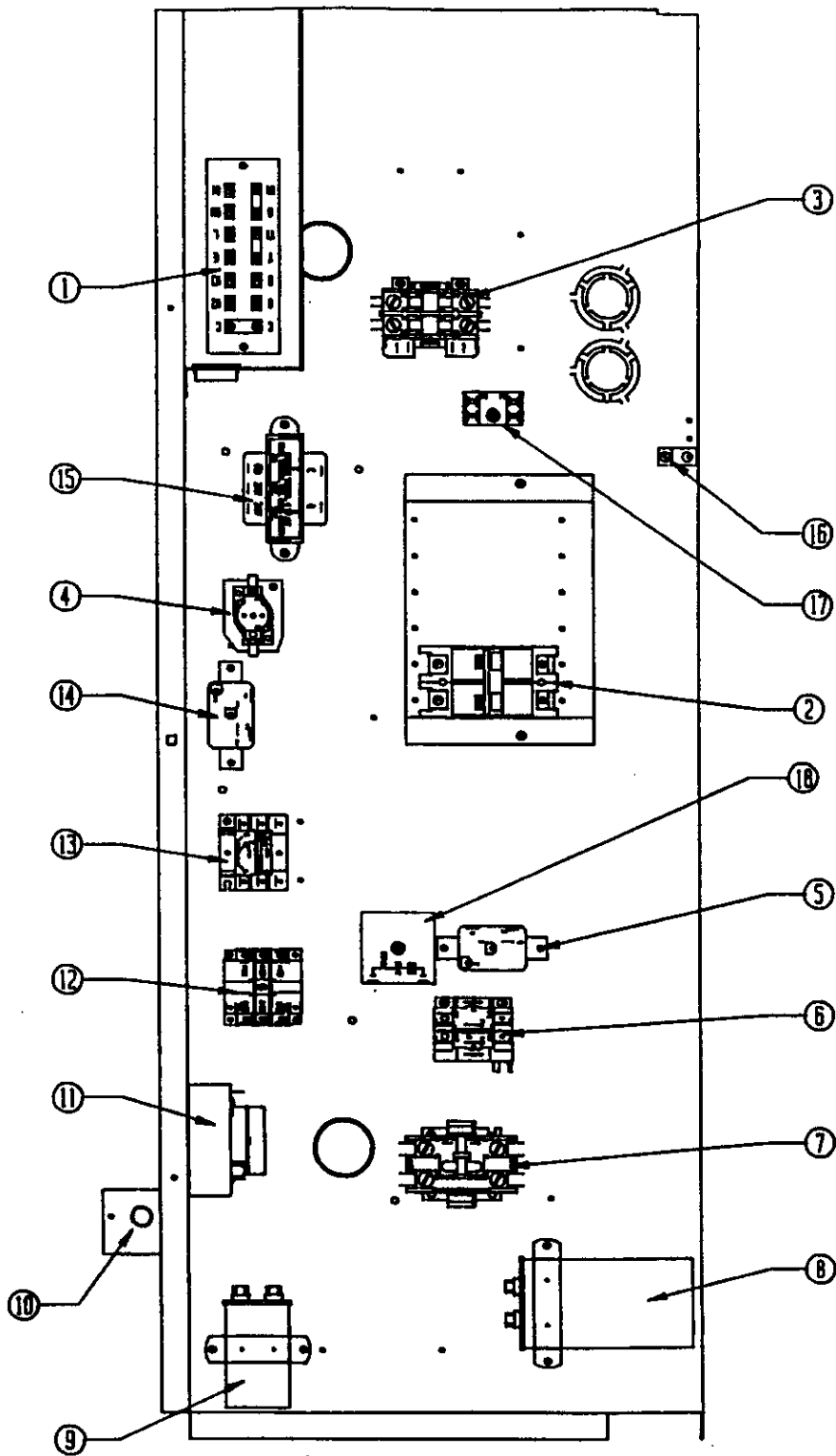
Date: 2-20-91
Supersedes:

FUNCTIONAL COMPONENTS

Dwg. No.	Part No.	Description	6 O W H 1 A O O C	6 O W H 1 A O O C	6 O W H 1 A O 5 C	6 O W H 1 A O 2 O C	6 O W H 1 B O O C	6 O W H 1 B O 9 C	6 O W H 1 B 1 5 C	6 O W H 1 B 1 8 C	6 O W H 1 C O O C	6 O W H 1 C O 9 C	6 O W H 1 C O 1 5 C
1	8000-108	Compressor CRP5-0450-PFV	X	X	X	X							
1	8000-075	Compressor AG5561H					X	X	X	X			
1	8000-049	Compressor AG5561F									X	X	X
2	900-119	Blower Assembly (Complete)	X	X	X	X	X	X	X	X			
2	900-120	Blower Assembly (Complete)									X	X	X
3	8105-035	Condenser Motor	X	X	X	X	X	X	X	X			
3	8105-030	Condenser Motor									X	X	X
4	8200-004	Motor Mount--Condenser	X	X	X	X	X	X	X	X	X	X	X
5	5151-027	Fan Blade	X	X	X	X	X	X	X	X	X	X	X
6	5051-057	Condenser Coil	X	X	X	X	X	X	X	X	X	X	X
7	5060-056	Evaporator Coil	X	X	X	X	X	X	X	X	X	X	X
8	8604-091	Heat Strip		X		2							
8	8604-047	Heat Strip			X				X				
8	8604-048	Heat Strip						X		2			
8	8604-072	Heat Strip										X	
8	8604-052	Heat Strip											X
9	8402-047	Limit Control		X	X	X		X	X	X		X	X
10	8402-032	Thermal Cutoff		2	3	4		2	3	4			
10	8402-057	Thermal Cutoff										2	3
11	7003-026	Air Filter 20 x 30 x 1	X	X	X	X	X	X	X	X	X	X	X
12	1171-019	1/4 Turn Fastener	X	X	X	X	X	X	X	X	X	X	X
13	1171-021	Retainer Washer	X	X	X	X	X	X	X	X	X	X	X
14	1171-020	Receptacle	X	X	X	X	X	X	X	X	X	X	X
15	800-0149	Cooling Capillary Assembly	X	X	X	X	X	X	X	X	X	X	X
16	5202-019	Accumulator	X	X	X	X	X	X	X	X	X	X	X
17	5650-010	Reversing Valve	X	X	X	X	X	X	X	X	X	X	X
18	5650-008	Reversing Valve Solenoid Coil	X	X	X	X	X	X	X	X	X	X	X
19	800-0148	Heating Capillary Assembly	X	X	X	X	X	X	X	X	X	X	X
20	5651-036	Check Valve	X	X	X	X	X	X	X	X	X	X	X
21	8408-012	Defrost Thermostat	X	X	X	X	X	X	X	X	X	X	X
22	134-068	Wire Shield	X	X	X	X							
23	8406-049	Low Pressure Switch	X	X	X	X	X	X	X	X	X	X	X

Date: 2-20-91
Supersedes:

CONTROL PANEL WITH CIRCUIT BREAKER



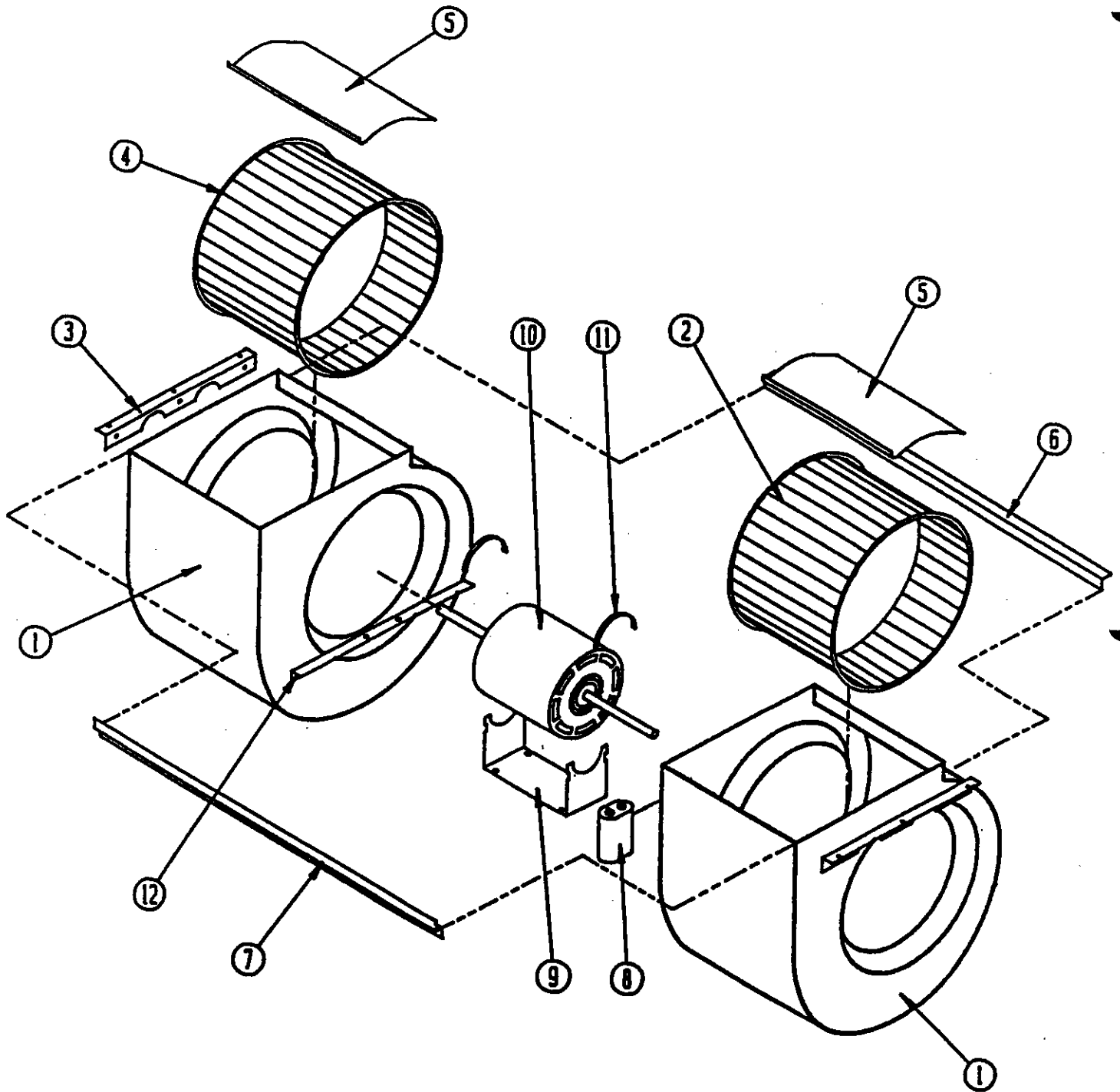
Date: 2-20-91
Supersedes:

CONTROL PANEL
WITH CIRCUIT BREAKER

Dwg. No.	Part No.	Description	6	6	6	6	6	6	6	6	6	6	6
			O	O	O	O	O	O	O	O	O	O	O
			W	W	W	W	W	W	W	W	W	W	W
			H	H	H	H	H	H	H	H	H	H	H
			I	I	I	I	I	I	I	I	I	I	I
			A	A	A	A	B	B	B	B	C	C	C
			0	1	1	2	0	0	1	1	0	0	1
			0	0	5	0	0	9	5	8	0	9	5
			C	C	C	C	C	C	C	C	C	C	C
1	8607-019	Low Voltage Terminal Strip	X	X	X	X	X	X	X	X	X	X	X
2	8615-016	Circuit Breaker (60A)	X	2	2	3							
2	8615-013	Circuit Breaker (30A)			X								
2	8615-007	Circuit Breaker (50A)					X		2	X			
2	8615-011	Circuit Breaker (60A)						X		X			
2	8615-025	Circuit Breaker (25A)									X		
2	8615-027	Circuit Breaker (35A)										X	
2	8615-028	Circuit Breaker (40A)											X
3	8401-006	Heat Contactor		X	2	2		X		2			
3	8401-010	Heat Contactor							X				
3	8401-002	Heat Contactor										X	X
4	8201-045	Time Delay Relay	X	X	X	X							
5	8201-008	Heating Blower Relay		X	X	X		X	X	X			
6	8201-032	Defrost Relay									X	X	X
6	8201-024	Compressor Fault Relay	X	X	X	X							
7	8401-011	Compressor Contactor					X	X	X	X			
7	8401-016	Compressor Contactor	X	X	X	X							
7	8401-002	Compressor Contactor									X	X	X
8	8552-031	Compressor Capacitor 45/440	X	X	X	X							
9	8552-005	Condenser Motor Capacitor 10/370	X	X	X	X	X	X	X	X			
9	8552-026	Condenser Motor Capacitor 15/370									X	X	X
10	8406-010	High Pressure Switch	X	X	X	X	X	X	X	X	X	X	X
11	8612-012	Timer	X	X	X	X	X	X	X	X	X	X	X
12	8201-047	Defrost Relay	X	X	X	X	X	X	X	X	X	X	X
13	8201-013	Emergency Heat Relay			X	X				X			
14	8201-008	Blower Relay	X	X	X	X	X	X	X	X			
14	8201-032	Blower Relay									X	X	X
15	8407-035	Transformer	X	X	X	X	X	X	X	X			
15	8407-040	Transformer									X	X	X
16	8611-006	Ground Terminal	1	2	3	3	1	1	2	2	1	1	1
17	8607-017	Terminal Block									X	X	X
18	8201-050	Time Delay Relay	X	X	X	X	X	X	X	X	X	X	X
	4089-115	Wiring Diagram	X										
	4089-135	Wiring Diagram		X									
	4089-147	Wiring Diagram			X								
	4089-155	Wiring Diagram				X							
	4089-212	Wiring Diagram					X						
	4089-222	Wiring Diagram						X					
	4089-232	Wiring Diagram							X				
	4089-242	Wiring Diagram								X			
	4089-312	Wiring Diagram									X		
	4089-322	Wiring Diagram										X	
	4089-332	Wiring Diagram											X
	132-089	Control Panel Cover									X	X	X
	132-095	Control Panel Cover	X	X	X	X	X	X	X	X			

Date: 2-20-91
Supersedes:

BLOWER ASSEMBLY



Date: 2-20-91
Supersedes:

2110-514
Page: 7

BLOWER ASSEMBLY

Dwg. No.	Part No.	Description	9 0 0 1 1 9	9 0 0 1 2 0	9 0 0 1 2 1
1	151-068	Blower Housing	2	2	2
2	5152-011	Blower Wheel 10-8, CW	X	X	
2	5152-057	Blower Wheel 9-8, CW			X
3	104-791	Blower Angle	2	2	2
4	5152-012	Blower Wheel 10-8, CCW	X	X	
4	5152-058	Blower Wheel 9-8, CCW			X
5	144-126	Diffuser	2	2	2
6	104-802	Back Brace	X	X	X
7	102-389	Front Offset	X	X	X
8	8552-005	Capacitor 10/370	X	X	X
9	128-002	Motor Mount--Cradle	X	X	X
10	8106-023	Motor	X		X
10	8106-025	Motor		X	
11	8200-018	Motor Mount Latch	2	2	2
12	104-788	Motor Support Angle	2	2	2

Date: 2-20-91
Supersedes:

