

REPLACEMENT PARTS MANUAL

WALL MOUNTED PACKAGE HEAT PUMP MODELS 42WH1

Manual 2110-515 Revision Date 12-13-91 Supersedes

* GENERAL NOTES *

*Revised and/or additional pages may be issued from time to time.
*A complete and current manual consists of pages dated as shown in the following index.

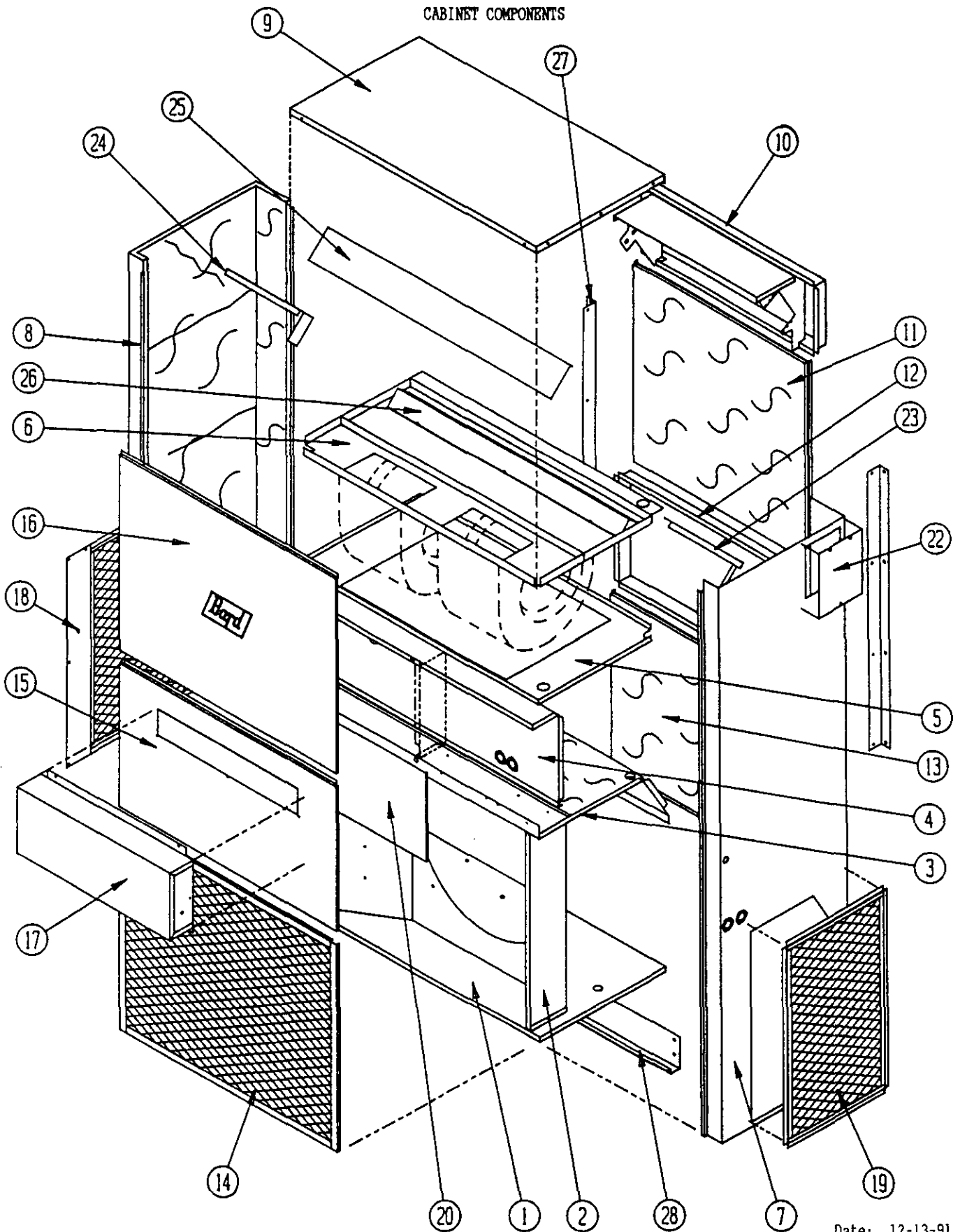
** INDEX **

| <u>Page Description</u> | <u>Page</u> | <u>Date</u> | <u>Supersedes</u> |
|--|-------------|-------------|-------------------|
| Cabinet Components--Exploded View | 1 | 12-13-91 | |
| " " --Usage List | 2 | 12-13-91 | |
| Functional Components--Exploded View | 3 | 12-13-91 | |
| " " --Usage List | 4 | 12-13-91 | |
| Control Panel W/O Circuit Breaker--Layout | 5 | 12-13-91 | |
| " " " " --Usage List | 6 | 12-13-91 | |
| Control Panel W/Circuit Breaker--Layout | 7 | 12-13-91 | |
| " " " " --Usage List | 8 | 12-13-91 | |
| Blower Assembly--Exploded View | 9 | 12-13-91 | |
| " " --Usage List | 10 | 12-13-91 | |

*** IMPORTANT ***

Contact the installing and/or local Bard distributor for all parts requirements. Make sure you have the complete model and serial number available from the unit rating plate.

CABINET COMPONENTS



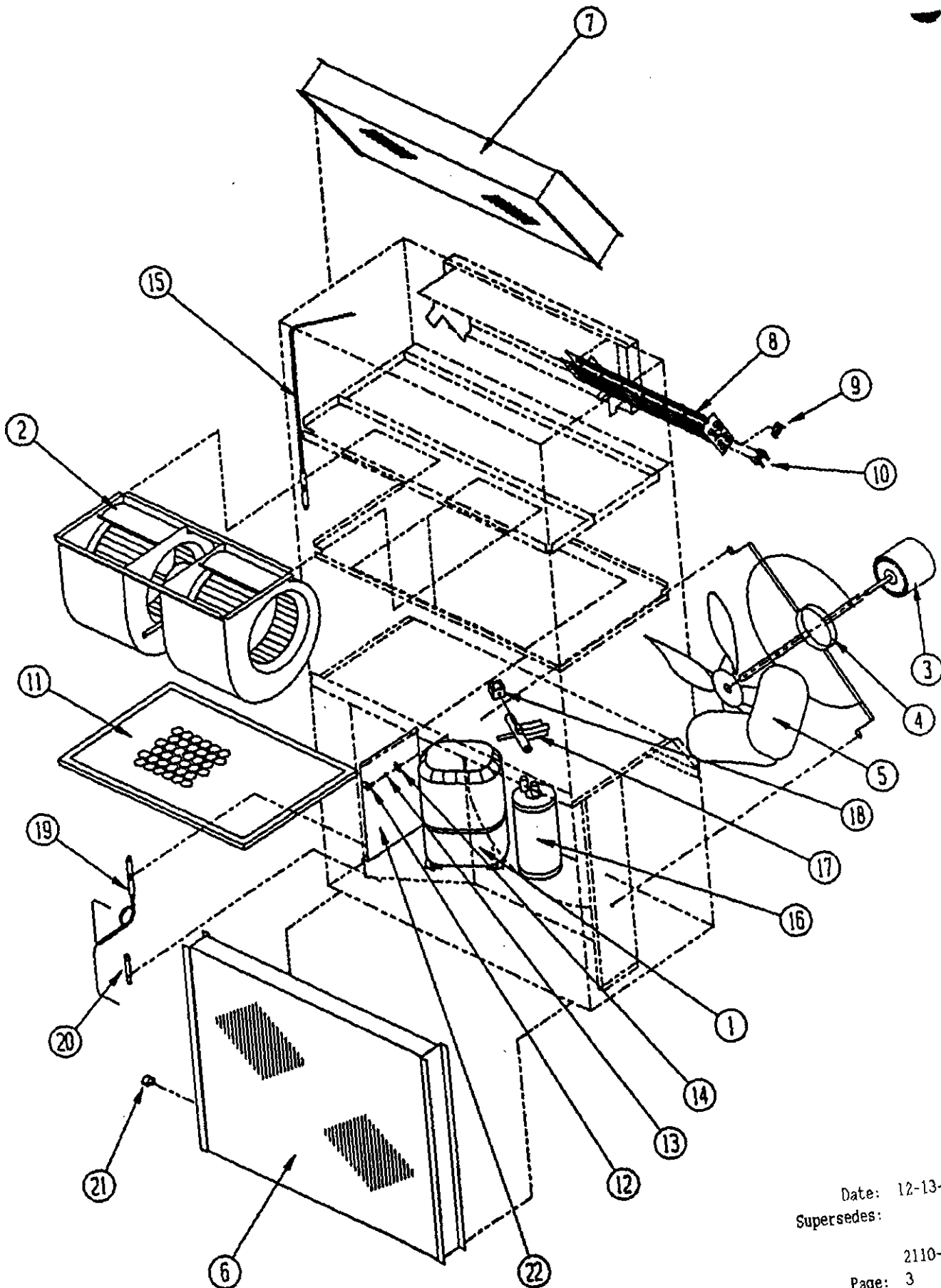
Date: 12-13-91
Supersedes:

CABINET COMPONENTS

| Item | Part No. | Description | U S A G E |
|------|-----------------------|---|-----------------------|
| 1 | 127-005 | Lower Base | X |
| 2 | 124-003 | Fan Shroud | X |
| 3 | 520-133 | Condenser Partition | X |
| 4 | Control Pnl. Assy. | See Control Panel Assembly Drawing and Parts List | X |
| 5 | 130-075 | Filter Tray | X |
| 6 | 521-006 | Water Pan/Blower Partition | X |
| 7 | 501-168 | Right Side | X |
| 8 | 501-169 | Left Side | X |
| 9 | 506-097 | Top | X |
| 10 | 111-019 | Outlet Airframe Assembly | X |
| 11 | 508-059 | Upper Back | X |
| 12 | 111-020 | Inlet Air Frame Assembly | X |
| 13 | 108-060 | Lower Back | X |
| 14 | 119-005 | Coil Grille | X |
| 15 | 552-108 | Service Door | X |
| 16 | 514-047 | Upper Front | X |
| 17 | 962002 | Fresh Air Damper | X |
| 18 | 119-006 | Left Side Grille | X |
| 19 | 119-008 | Right Side Grille | X |
| 20 | Control Cover | See Control Panel Assembly Drawing and Parts List | X |
| 22 | 542X005 | Right Side Cover Plate | X |
| 23 | 140-010 | Support--Right Coil | X |
| 24 | 140-011 | Support--Left Coil | X |
| 25 | 134-161 | Top Evaporator Fill | X |
| 26 | 136-003 | Bottom Evaporator Fill | X |
| 27 | 112-009 | Side Mounting Bracket | X |
| 28 | 112-006 | Bottom Mounting Bracker | X |

Date: 12-13-91
Supersedes:

FUNCTIONAL COMPONENTS

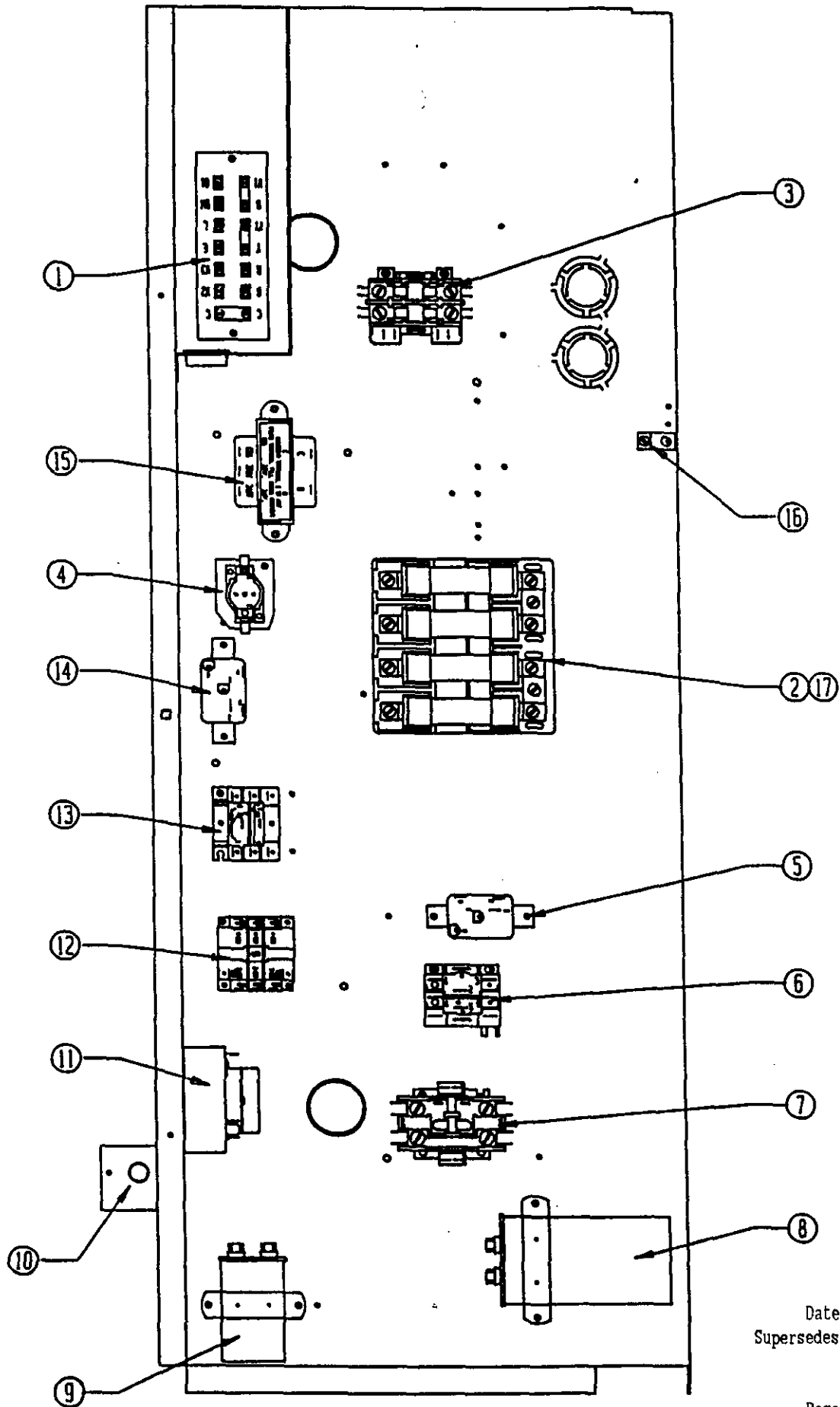


FUNCTIONAL COMPONENTS

| Dwg. No. | Part No. | Description | 4 2 W H 1 A O O N, C | 4 2 W H 1 A O O N, C | 4 2 W H 1 A O O N, C | 4 2 W H 1 B O O N, C | 4 2 W H 1 B O O N, C | 4 2 W H 1 B O O N, C |
|----------|----------|-------------------------------|--|--|--|--|--|--|
| 1 | 8000-128 | Compressor CR42K-6 | X | X | X | | | |
| 1 | 8000-126 | Compressor CR42K-6 | | | | X | X | X |
| 2 | 900-121 | Blower Assembly (Complete) | X | X | X | X | X | X |
| 3 | 8105-035 | Condenser Motor | X | X | X | X | X | X |
| 4 | 8200-004 | Motor Mount--Condenser | X | X | X | X | X | X |
| 5 | 5151-027 | Fan Blade | X | X | X | X | X | X |
| 6 | 5051-064 | Condenser Coil | X | X | X | X | X | X |
| 7 | 5060-063 | Evaporator Coil | X | X | X | X | X | X |
| 8 | 8604-091 | Heat Strip | | X | | | | |
| 8 | 8604-047 | Heat Strip | | | X | | | |
| 8 | 8604-048 | Heat Strip | | | | X | X | |
| 8 | 8604-049 | Heat Strip | | | | | | X |
| 9 | 8402-047 | Limit Control | | X | X | | X | X |
| 10 | 8402-032 | Thermal Cutoff 4K9239H | | 2 | 3 | | 2 | 4 |
| 11 | 7004-016 | Air Filter 20 x 30 x 1 | X | X | X | X | X | X |
| 12 | 1171-019 | 1/4 Turn Fastener | X | X | X | X | X | X |
| 13 | 1171-021 | Retainer Washer | X | X | X | X | X | X |
| 14 | 1171-020 | Receptacle | X | X | X | X | X | X |
| 15 | 800-0182 | Cooling Capillary Assembly | X | X | X | X | X | X |
| 16 | 5202-011 | Accumulator | X | X | X | X | X | X |
| 17 | 5650-014 | Reversing Valve | X | X | X | X | X | X |
| 18 | 5650-008 | Reversing Valve Solenoid Coil | X | X | X | X | X | X |
| 19 | 800-0183 | Heating Capillary Assembly | X | X | X | X | X | X |
| 20 | 5651-036 | Check Valve | X | X | X | X | X | X |
| 21 | 8408-016 | Defrost Thermostat | X | X | X | X | X | X |

Date: 12-13-91
Supersedes:

CONTROL PANEL WITHOUT CIRCUIT BREAKERS



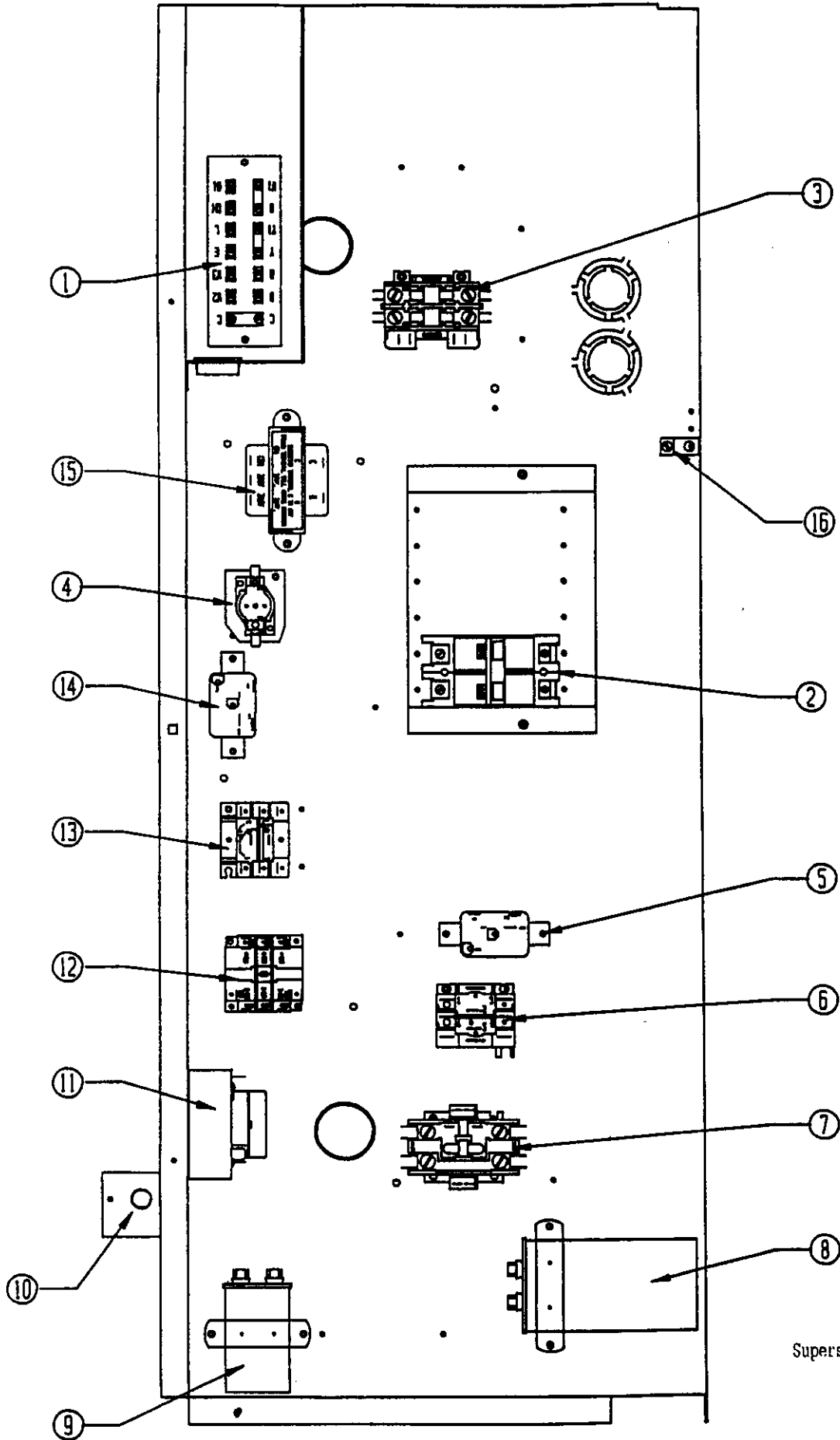
Date: 12-13-91
Supersedes:

CONTROL PANEL
WITHOUT CIRCUIT BREAKERS

| Dwg. No. | Part No. | Description | 4 2 W H 1 A O O N | 4 2 W H 1 A O O N | 4 2 W H 1 A O O N | 4 2 W H 1 B O O N | 4 2 W H 1 B O O N | 4 2 W H 1 B O O N |
|----------|----------|----------------------------------|--|--|--|--|--|--|
| 1 | 8607-019 | Low Voltage Terminal Strip | X | X | X | X | X | X |
| 2 | 8607-013 | Terminal Block | X | | | | | |
| 2 | 8614-018 | Fuse Block | | X | | | | |
| 2 | 8614-020 | Fuse Block | | | | | | X |
| 2 | 8614-014 | Fuse Block | | | X | | | |
| 2 | 8607-014 | Terminal Block | | | | X | | |
| 2 | 8614-021 | Fuse Block | | | | | X | |
| 3 | 8401-006 | Heat Contactor | | X | 2 | | X | |
| 3 | 8401-002 | Heat Contactor | | | | | | 2 |
| 5 | 8201-008 | Heating Blower Relay | | X | X | | X | X |
| 6 | 8201-024 | Compressor Fault Relay | X | X | X | | | |
| 7 | 8401-003 | Compressor Contactor | X | X | X | | | |
| 7 | 8401-002 | Compressor Contactor | | | | X | X | X |
| 8 | 8552-030 | Compressor Capacitor 40/440 | X | X | X | | | |
| 9 | 8552-005 | Condenser Motor Capacitor 10/370 | X | X | X | X | X | X |
| 10 | 8406-022 | High Pressure Switch | X | X | X | X | X | X |
| 11 | 8612-012 | Timer | X | X | X | X | X | X |
| 12 | 8201-047 | Defrost Relay | X | X | X | X | X | X |
| 13 | 8201-013 | Emergency Heat Relay | | | X | | | X |
| 14 | 8201-008 | Blower Relay | X | X | X | X | X | X |
| 15 | 8407-035 | Transformer | X | X | X | X | X | X |
| 16 | 8611-006 | Ground Terminal | X | X | 2 | X | X | X |
| | 4086-110 | Wiring Diagram | X | | | | | |
| | 4086-130 | Wiring Diagram | | X | | | | |
| | 4086-140 | Wiring Diagram | | | X | | | |
| | 4086-210 | Wiring Diagram | | | | X | | |
| | 4086-220 | Wiring Diagram | | | | | X | |
| | 4086-230 | Wiring Diagram | | | | | | X |
| | 132-095 | Control Panel Cover | X | | | X | | |
| | 133-053 | Control Panel Cover | | X | X | | X | X |

Date: 12-13-91
Supersedes:

CONTROL PANEL WITH CIRCUIT BREAKERS



Date: 12-13-91
Supersedes:

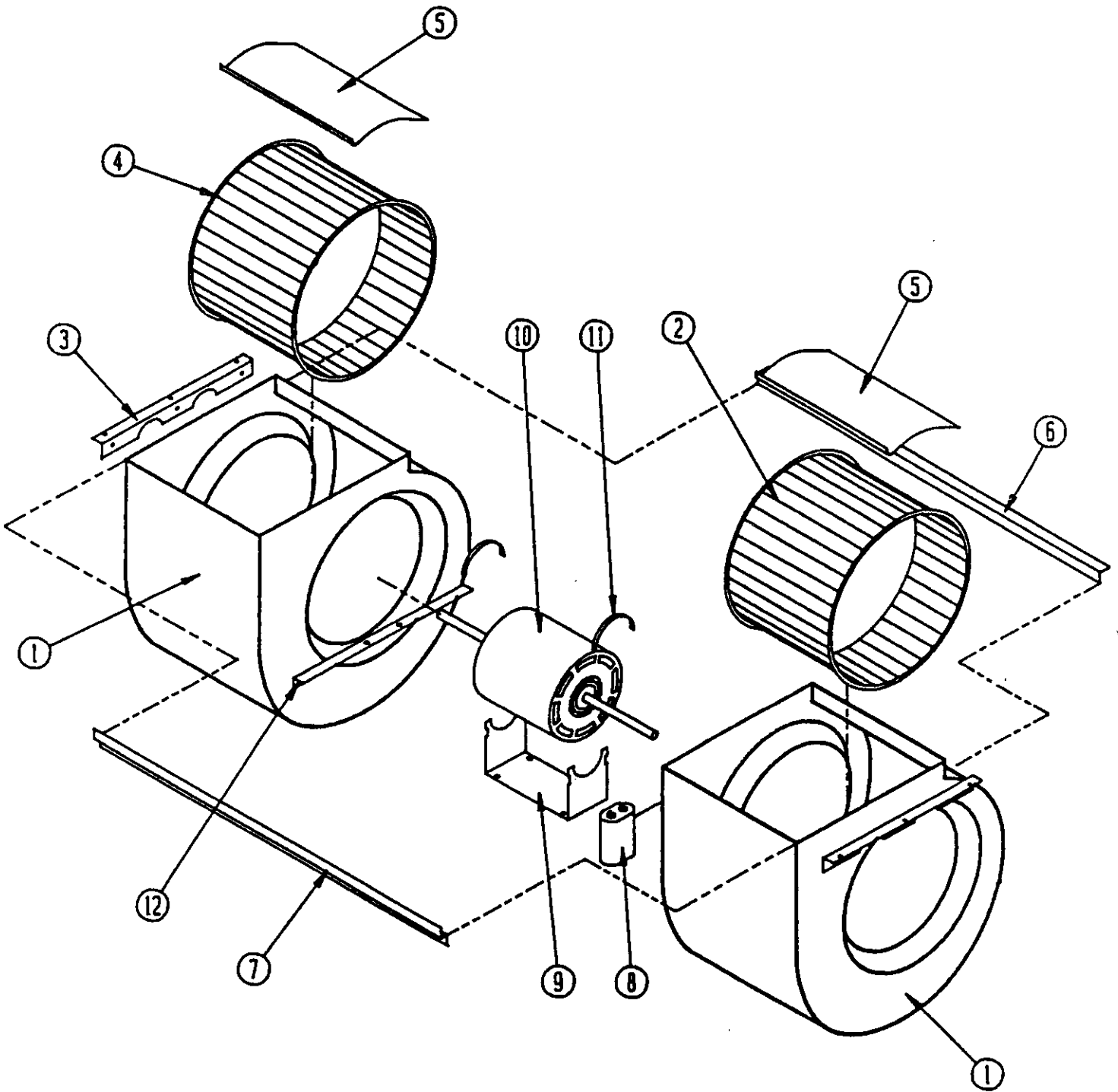
2110-515
Page: 7

**CONTROL PANEL
WITH CIRCUIT BREAKERS**

| Dwg. No. | Part No. | Description | 4 | 4 | 4 | 4 | 4 | 4 |
|----------|----------|----------------------------------|---|---|---|---|---|---|
| | | | 2 | 2 | 2 | 2 | 2 | 2 |
| | | | W | W | W | W | W | W |
| | | | H | H | H | H | H | H |
| | | | 1 | 1 | 1 | 1 | 1 | 1 |
| | | | | | | | | |
| | | | A | A | A | B | B | B |
| | | | O | O | O | O | O | O |
| | | | 0 | 0 | 5 | 0 | 9 | 5 |
| | | | C | C | C | C | C | C |
| 1 | 8607-019 | Low Voltage Terminal Strip | X | X | X | X | X | X |
| 2 | 8615-015 | Circuit Breaker 50A | X | X | X | | | |
| 2 | 8615-016 | Circuit Breaker 60A | | X | X | | | |
| 2 | 8615-013 | Circuit Breaker 30A | | | X | | | |
| 2 | 8615-020 | Circuit Breaker 40A | | | | X | | |
| 2 | 8615-011 | Circuit Breaker 60A | | | | | X | X |
| 3 | 8401-006 | Heat Contactor | | X | 2 | | X | |
| 3 | 8401-002 | Heat Contactor | | | | | | 2 |
| 5 | 8201-008 | Heating Blower Relay | | X | X | | X | X |
| 6 | 8201-024 | Compressor Fault Relay | X | X | X | | | |
| 7 | 8401-003 | Compressor Contactor | X | X | X | | | |
| 7 | 8401-002 | Compressor Contactor | | | | X | X | X |
| 8 | 8552-031 | Compressor Capacitor 40/440 | X | X | X | | | |
| 9 | 8552-005 | Condenser Motor Capacitor 10/370 | X | X | X | X | X | X |
| 10 | 8406-022 | High Pressure Switch | X | X | X | X | X | X |
| 11 | 8612-012 | Timer | X | X | X | X | X | X |
| 12 | 8201-047 | Defrost Relay | X | X | X | X | X | X |
| 13 | 8201-013 | Emergency Heat Relay | | | X | | | X |
| 14 | 8201-008 | Blower Relay | X | X | X | X | X | X |
| 15 | 8407-035 | Transformer | X | X | X | X | X | X |
| 16 | 8611-006 | Ground Terminal | X | 2 | 3 | X | X | X |
| | 4086-111 | Wiring Diagram | X | | | | | |
| | 4086-131 | Wiring Diagram | | X | | | | |
| | 4086-141 | Wiring Diagram | | | X | | | |
| | 4086-211 | Wiring Diagram | | | | X | | |
| | 4086-221 | Wiring Diagram | | | | | X | |
| | 4086-231 | Wiring Diagram | | | | | | X |
| | 132-095 | Control Panel Cover | X | X | X | X | X | X |

Date: 12-13-91
Supersedes:

BLOWER ASSEMBLY



Date: 12-13-91
Supersedes:

BLOWER ASSEMBLY

| Dwg. No. | Part No. | Description | 9 0 0 1 1 9 | 9 0 0 1 2 0 | 9 0 0 1 2 1 |
|----------|----------|------------------------|----------------------------|----------------------------|----------------------------|
| 1 | 151-068 | Blower Housing | 2 | 2 | 2 |
| 2 | 5152-011 | Blower Wheel 10-8, CW | x | x | |
| 2 | 5152-057 | Blower Wheel 9-8, CW | | | x |
| 3 | 104-791 | Blower Angle | 2 | 2 | 2 |
| 4 | 5152-012 | Blower Wheel 10-8, CCW | x | x | |
| 4 | 5152-058 | Blower Wheel 9-8, CCW | | | x |
| 5 | 144-126 | Diffuser | 2 | 2 | 2 |
| 6 | 104-802 | Back Brace | x | x | x |
| 7 | 102-389 | Front Offset | x | x | x |
| 8 | 8552-005 | Capacitor 10/370 | x | x | x |
| 9 | 128-002 | Motor Mount--Cradle | x | x | x |
| 10 | 8106-023 | Motor | x | | x |
| 10 | 8106-024 | Motor | | x | |
| 11 | 8200-018 | Motor Mount Latch | 2 | 2 | 2 |
| 12 | 104-788 | Motor Support Angle | 2 | 2 | 2 |

Date: 12-13-91
Supersedes:

