

REPLACEMENT PARTS MANUAL

WALL MOUNTED PACKAGE HEAT PUMP MODELS 42WH1 (SUFFIX D016 MODELS)

Manual 2110-516 Revision Date 12-13-91 Supersedes

* GENERAL NOTES *

*Revised and/or additional pages may be issued from time to time.
*A complete and current manual consists of pages dated as shown in the following index.

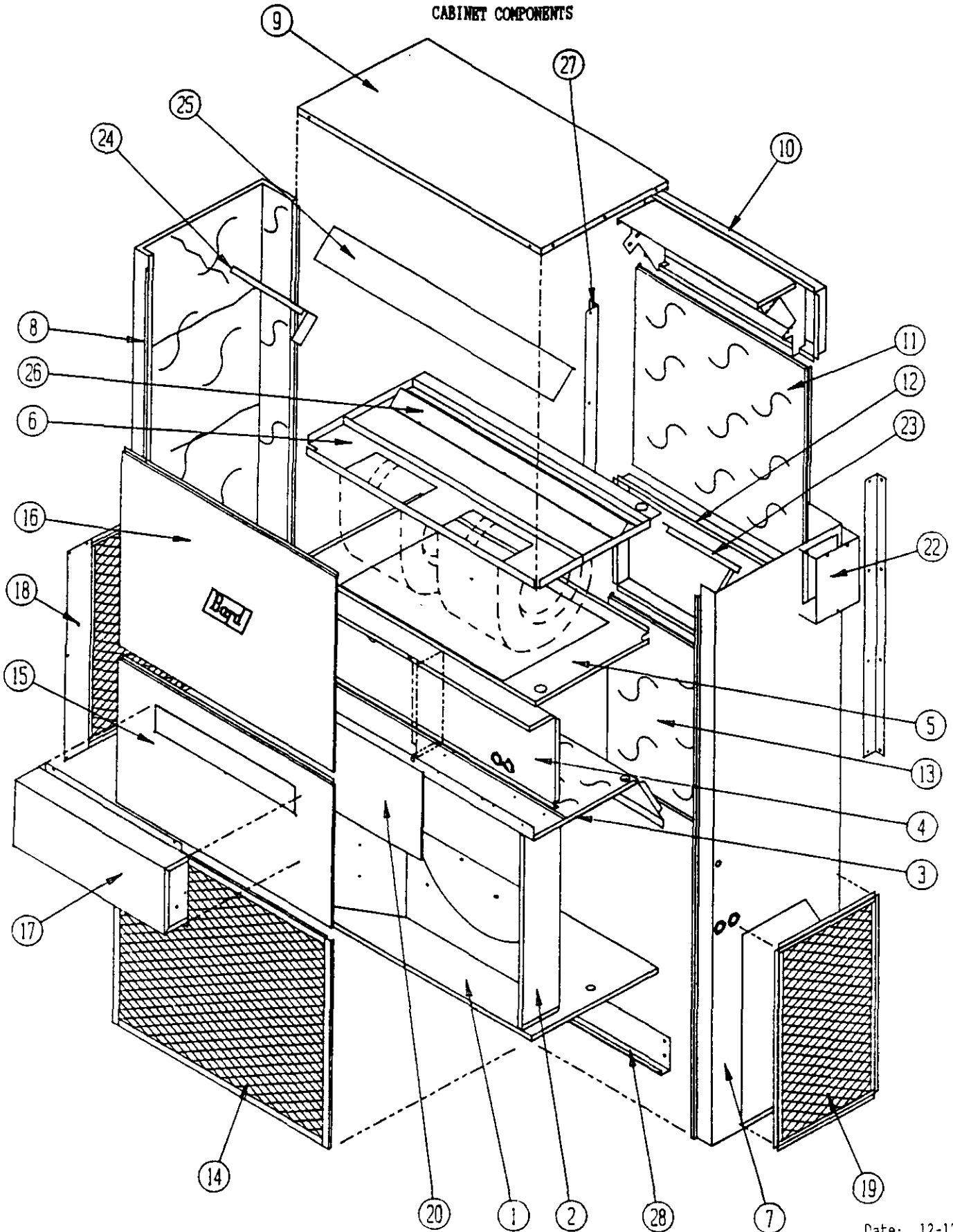
** INDEX **

<u>Page Description</u>	<u>Page</u>	<u>Date</u>	<u>Supersedes</u>
Cabinet Components--Exploded View	1	12-13-91	
" " --Usage List	2	12-13-91	
Functional Components--Exploded View	3	12-13-91	
" " --Usage List	4	12-13-91	
Control Panel W/Circuit Breaker--Layout	5	12-13-91	
" " " " --Usage List	6	12-13-91	
Blower Assembly--Exploded View	7	12-13-91	
" " --Usage List	8	12-13-91	

*** IMPORTANT ***

Contact the installing and/or local Bard distributor for all parts requirements. Make sure you have the complete model and serial number available from the unit rating plate.

CABINET COMPONENTS



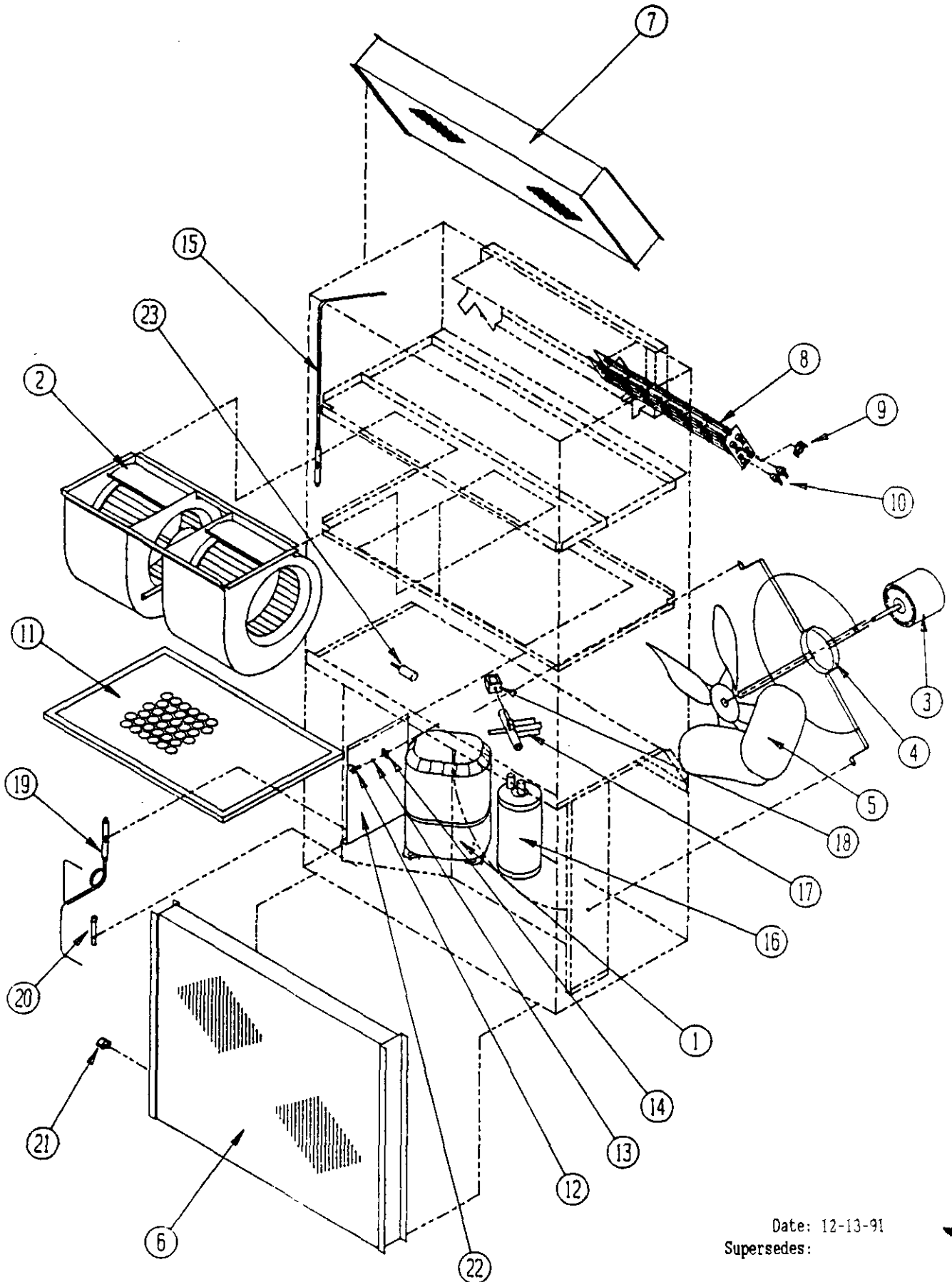
Date: 12-13-91
Supersedes:

CABINET COMPONENTS

Item	Part No.	Description	U S A G E
1	127-005	Lower Base	X
2	124-003	Fan Shroud	X
3	520-133	Condenser Partition	X
4	Control Pnl. Assy.	See Control Panel Assembly Drawing and Parts List	X
5	130-075	Filter Tray	X
6	521-006	Water Pan/Blower Partition	X
7	501-168	Right Side	X
8	501-169	Left Side	X
9	506-097	Top	X
10	111-019	Outlet Airframe Assembly	X
11	508-059	Upper Back	X
12	111-020	Inlet Air Frame Assembly	X
13	108-060	Lower Back	X
14	119-005	Coil Grille	X
15	552-108	Service Door	X
16	514-047	Upper Front	X
17	962002	Fresh Air Damper	X
18	119-006	Left Side Grille	X
19	119-008	Right Side Grille	X
20	Control Cover	See Control Panel Assembly Drawing and Parts List	X
22	542X005	Right Side Cover Plate	X
23	140-010	Support--Right Coil	X
24	140-011	Support--Left Coil	X
25	134-161	Top Evaporator Fill	X
26	136-003	Bottom Evaporator Fill	X
27	112-009	Side Mounting Bracket	X
28	112-006	Bottom Mounting Bracker	X

Date: 12-13-91
Supersedes:

FUNCTIONAL COMPONENTS



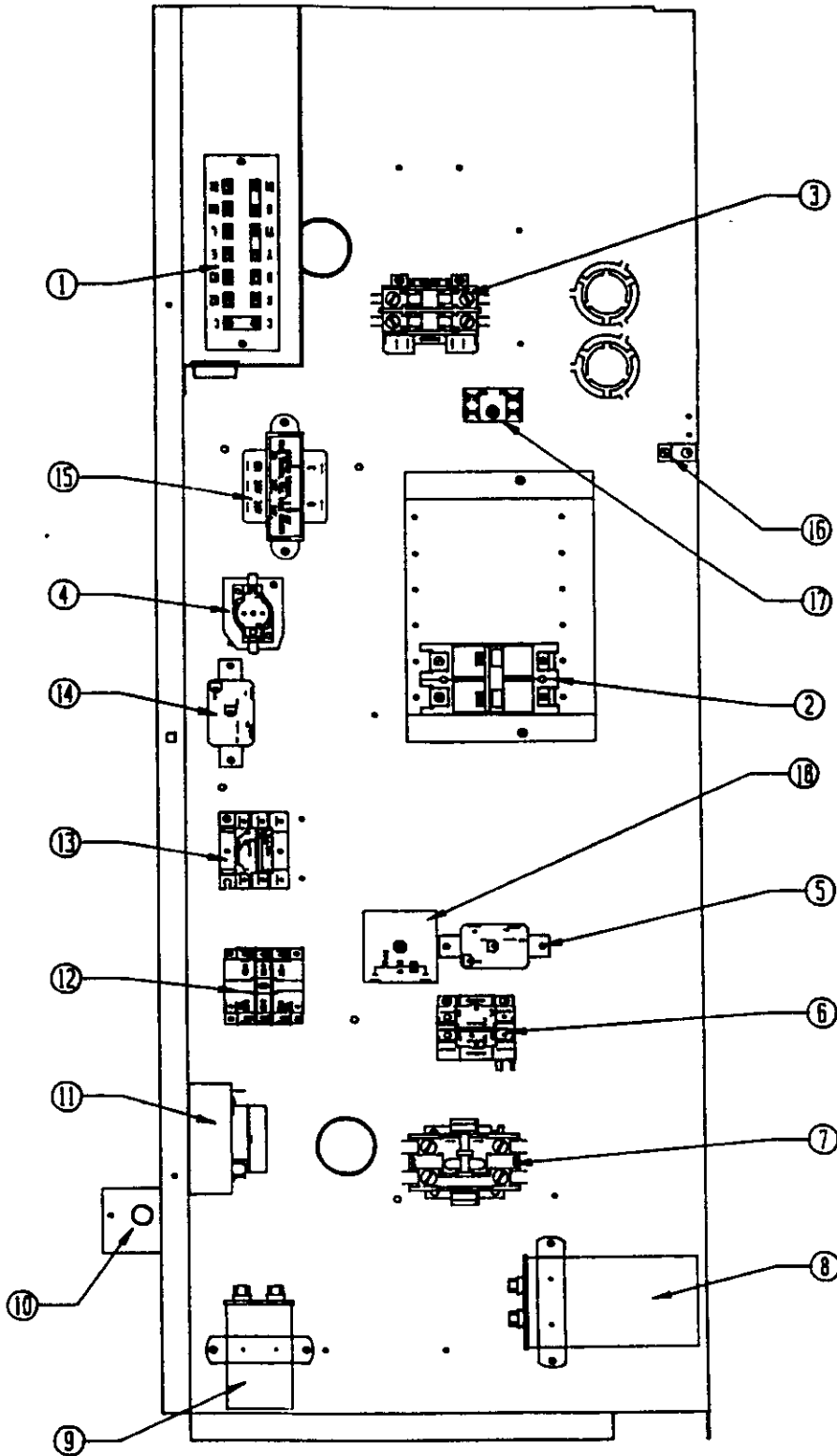
Date: 12-13-91
Supersedes:

FUNCTIONAL COMPONENTS

Dwg. No.	Part No.	Description	4	4	4	4	4	4	4	4
			2	2	2	2	2	2	2	2
			W	W	W	W	W	W	W	W
			H	H	H	H	H	H	H	H
			1	1	1	1	1	1	1	1
			A	A	A	B	B	C	C	C
			O	1	1	O	O	1	O	O
			O	O	5	O	9	5	O	9
			C	C	C	C	C	C	C	C
1	8000-126	Compressor CR42-K6				X	X	X		
1	8000-127	Compressor CR42-K6							X	X
1	8000-128	Compressor CR42-K6	X	X	X					
2	900-120	Blower Assembly (Complete)							X	X
2	900-121	Blower Assembly (Complete)	X	X	X	X	X	X		
3	8105-030	Condenser Motor							X	X
3	8105-035	Condenser Motor	X	X	X	X	X	X		
4	8200-004	Motor Mount--Condenser	X	X	X	X	X	X	X	X
5	5151-027	Fan Blade	X	X	X	X	X	X	X	X
6	5051-064	Condenser Coil	X	X	X	X	X	X	X	X
7	5060-063	Evaporator Coil	X	X	X	X	X	X	X	X
8	8604-047	Heat Strip			X					
8	8604-048	Heat Strip					X	X		
8	8604-049	Heat Strip						X		
8	8604-052	Heat Strip								X
8	8604-072	Heat Strip							X	
8	8604-091	Heat Strip		X						
9	8402-047	Limit Control		X	X		X	X		X
10	8402-032	Thermal Cutoff 4K9239H		2	3		2	4		
10	8402-057	Thermal Cutoff 4K4218AH							2	3
11	7003-026	Air Filter 20 x 30 x 1 Frame and Media	X	X	X	X	X	X	X	X
12	1171-019	1/4 Turn Fastener	X	X	X	X	X	X	X	X
13	1171-021	Retainer Washer	X	X	X	X	X	X	X	X
14	1171-020	Receptacle	X	X	X	X	X	X	X	X
15	800-0182	Cooling Capillary Assenbly	X	X	X	X	X	X	X	X
16	5202-011	Accumulator	X	X	X	X	X	X	X	X
17	5650-014	Reversing Valve	X	X	X	X	X	X	X	X
18	5650-008	Reversing Valve Solenoid Coil	X	X	X	X	X	X	X	X
19	800-0183	Heating Capillary Assenbly	X	X	X	X	X	X	X	X
20	5651-036	Check Valve	X	X	X	X	X	X	X	X
21	8408-016	Defrost Thermostat	X	X	X	X	X	X	X	X
23	8406-049	Low Pressure Switch	X	X	X	X	X	X	X	X

Date: 12-13-91
Supersedes:

CONTROL PANEL WITH CIRCUIT BREAKERS



Date: 12-13-91
Supersedes:

CONTROL PANEL WITH CIRCUIT BREAKER

Dwg. No.	Part No.	Description	4	4	4	4	4	4	4	4
			2	2	2	2	2	2	2	2
			W	W	W	W	W	W	W	W
			H	H	H	H	H	H	H	H
			1	1	1	1	1	1	1	1
			A	A	A	B	B	B	C	C
			O	O	O	O	O	O	O	O
			5	5	5	9	9	5	0	9
			C	C	C	C	C	C	C	C
1	8607-019	Low Voltage Terminal Strip	X	X	X	X	X	X	X	X
2	8615-011	Circuit Breaker (60A)					X	X		
2	8615-013	Circuit Breaker (30A)			X					
2	8615-015	Circuit Breaker (50A)	X	X	X					
2	8615-016	Circuit Breaker (60A)		X	X					
2	8615-020	Circuit Breaker (45A)				X				
2	8615-029	Circuit Breaker (15A)							X	
2	8615-032	Circuit Breaker (30A)								X
3	8401-002	Heat Contactor						2		X
3	8401-006	Heat Contactor		X	2		X			X
5	8201-008	Heating Blower Relay		X	X		X	X		
6	8201-024	Compressor Fault Relay	X	X	X					
6	8201-032	Defrost Relay							X	X
7	8401-002	Compressor Contactor				X	X	X	X	X
7	8401-003	Compressor Contactor	X	X	X					
8	8552-031	Compressor Capacitor 40/440	X	X	X					
9	8552-005	Condenser Motor Capacitor 10/370	X	X	X	X	X	X		
9	8552-026	Condenser Motor Capacitor 15/370							X	X
10	8406-022	High Pressure Switch	X	X	X	X	X	X	X	X
11	8612-012	Timer	X	X	X	X	X	X	X	X
12	8201-047	Defrost Relay	X	X	X	X	X	X	X	X
13	8201-013	Emergency Heat Relay			X			X		
14	8201-008	Blower Relay	X	X	X	X	X	X		
14	8201-032	Blower Relay							X	X
15	8407-035	Transformer	X	X	X	X	X	X		
15	8407-040	Transformer							X	X
16	8611-006	Ground Terminal	X	2	3	X	X	2	X	X
17	8607-017	Terminal Block							X	X
18	8201-050	Time Delay Relay (Compressor)	X	X	X	X	X	X	X	X
	4089-112	Wiring Diagram	X							
	4089-132	Wiring Diagram		X						
	4089-142	Wiring Diagram			X					
	4089-212	Wiring Diagram				X				
	4089-222	Wiring Diagram					X			
	4089-232	Wiring Diagram						X		
	4089-312	Wiring Diagram							X	
	4089-322	Wiring Diagram								X
	4089-332	Wiring Diagram								X
	132-089	Control Panel Cover							X	X
	132-095	Control Panel Cover	X	X	X	X	X	X	X	X

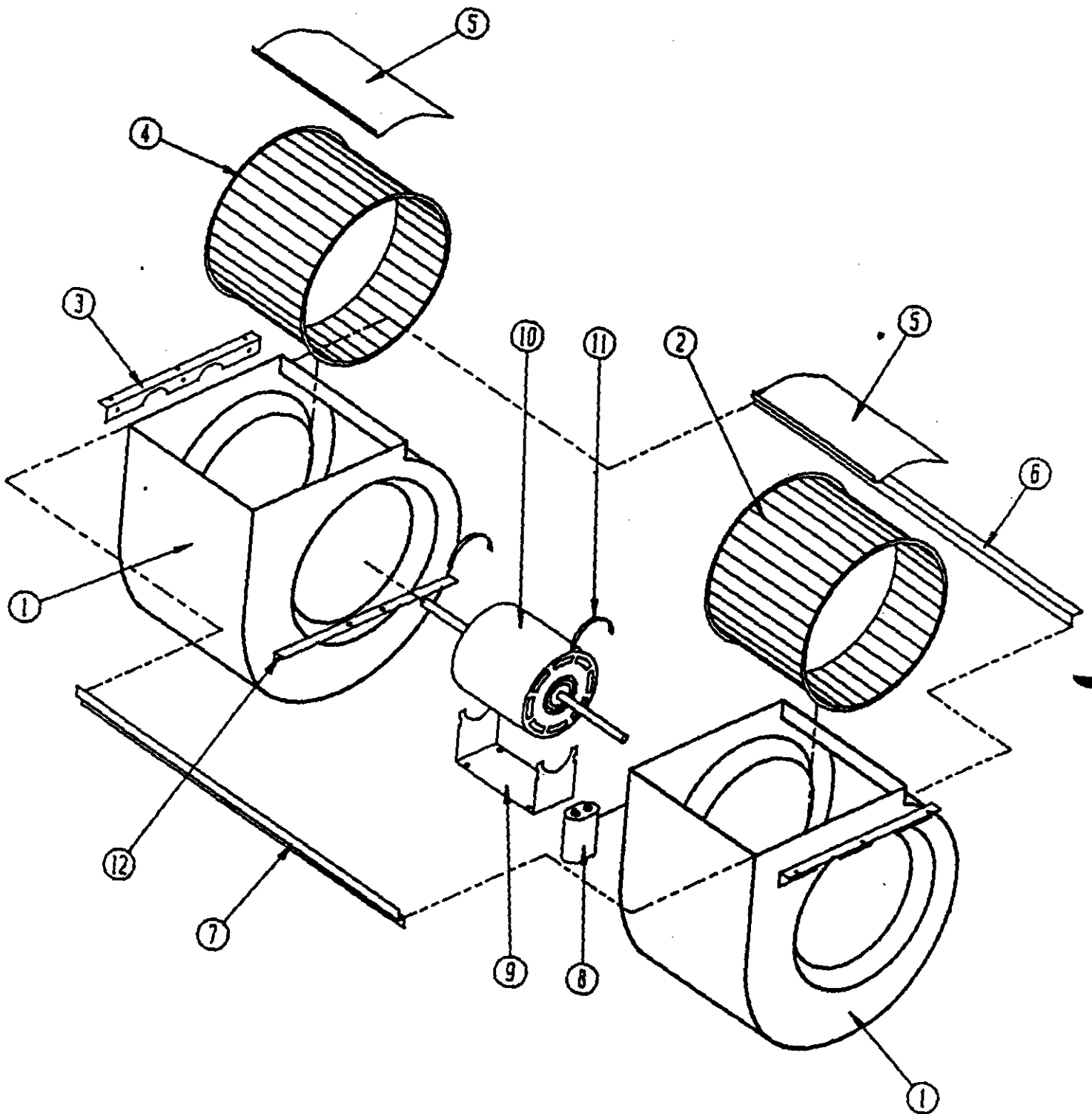
Date: 12-13-91

Supersedes:

2110-516

Page: 6

BLOWER ASSEMBLY



Date: 12-13-91
Supersedes:

BLOWER ASSEMBLY

Dwg. No.	Part No.	Description	9 0 0 1 1 9	9 0 0 1 2 0	9 0 0 1 2 1
1	151-068	Blower Housing	2	2	2
2	5152-011	Blower Wheel 10-8, CW	X	X	
2	5152-057	Blower Wheel 9-8, CW			X
3	104-791	Blower Angle	2	2	2
4	5152-012	Blower Wheel 10-8, CCW	X	X	
4	5152-058	Blower Wheel 9-8, CCW			X
5	144-126	Diffuser	2	2	2
6	104-802	Back Brace	X	X	X
7	102-389	Front Offset	X	X	X
8	8552-005	Capacitor 10/370	X	X	X
9	128-002	Motor Mount--Cradle	X	X	X
10	8106-023	Motor	X		X
10	8106-024	Motor		X	
11	8200-018	Motor Mount Latch	2	2	2
12	104-788	Motor Support Angle	2	2	2

Date: 12-13-91
Supersedes:

