

REPLACEMENT PARTS MANUAL

WALL MOUNTED
PACKAGE HEAT PUMPS
MODELS: WH181, WH241

Manual 2110-518

Revision A

Date 8-07-92

Supersedes 06-05-92

* GENERAL NOTES *

*Revised and/or additional pages may be issued from time to time.
*A complete and current manual consists of pages dated as shown in the following index.

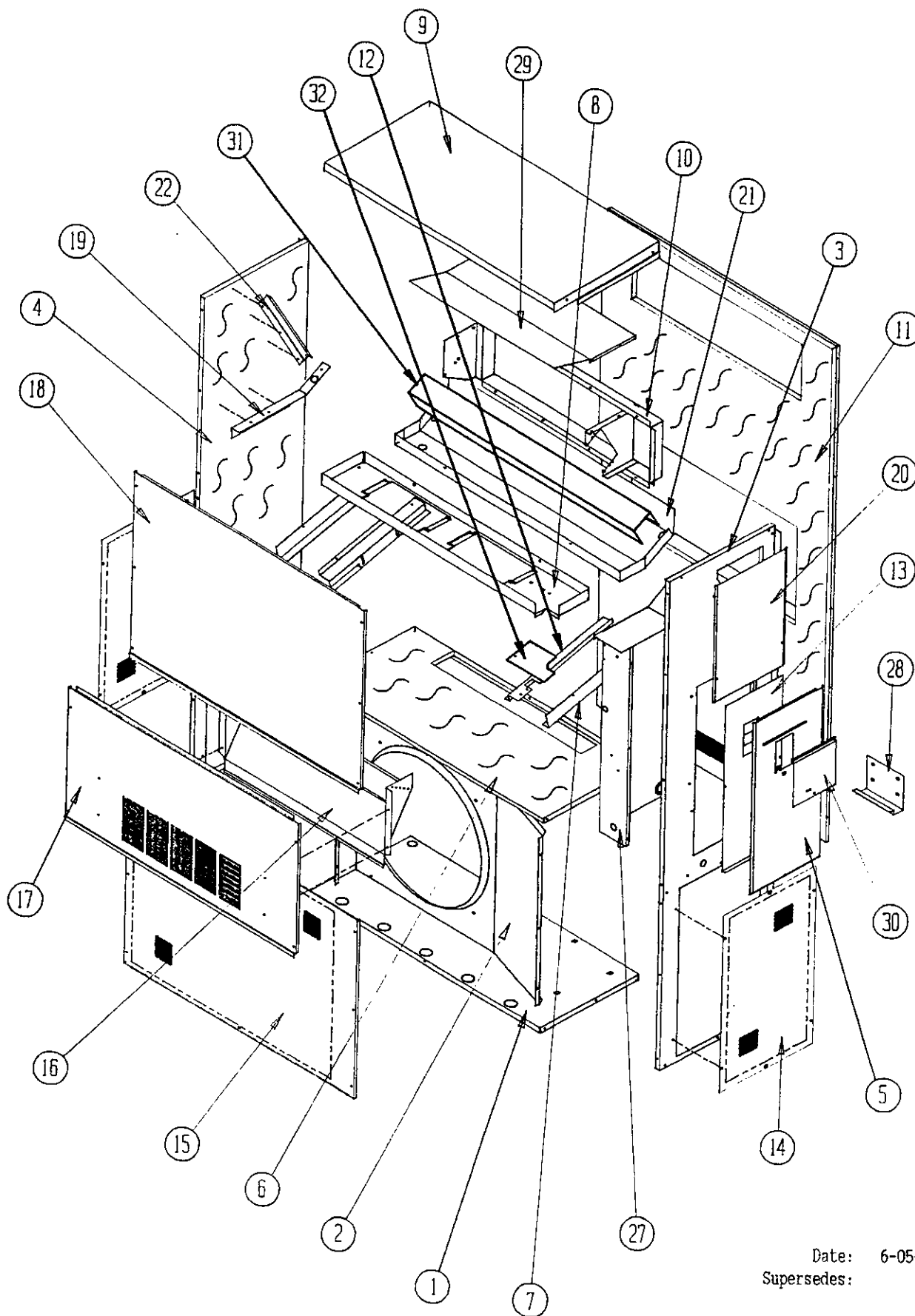
** INDEX **

<u>Page Description</u>	<u>Page</u>	<u>Date</u>	<u>Supersedes</u>
Cabinet Components--Exploded View	1	6-05-92	
" " --Usage List	2	6-05-92	
Functional Components--Exploded View	3	6-05-92	
" " --Usage List	4	6-05-92	
Control Panel--Layout	5	6-05-92	
" " --Usage List	6	6-05-92	
Blower Assembly--Exploded View, Usage List	7	7-01-92	6-05-92

*** IMPORTANT ***

Contact the installing and/or local Bard distributor for all parts requirements. Make sure you have the complete model and serial number available from the unit rating plate.

CABINET COMPONENTS



Date: 6-05-92
Supersedes:

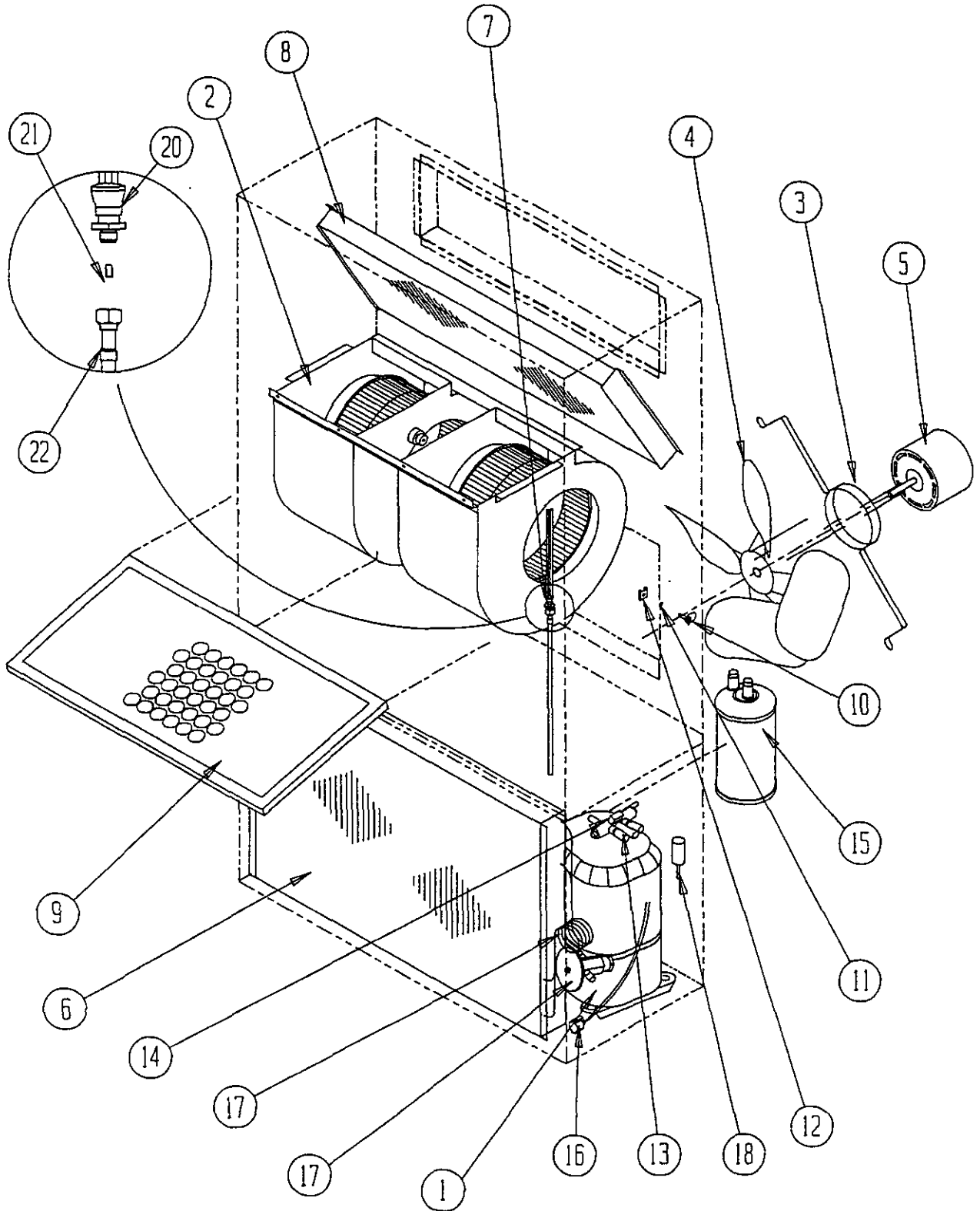
CABINET COMPONENTS

Dwg. No.	Part No.	Description	W	W	W
			H	H	H
			1	2	2
			8	4	4
			1	1	1
			-	-	-
			A	A, B	C
1	127-204	Lower Base	X	X	X
2	125-023	Fan Shroud	X	X	X
3	(1) 500-228-*	Right Side	X	X	X
4	(1) 500-229-*	Left Side	X	X	X
5	(1) 532-109-*	Control Panel Cover (Outer)	X	X	X
6	520-204	Condenser Partition	X	X	X
7	105-849	Filter Support Angle	2	2	2
8	121-190	Blower Partition	X	X	X
9	(1) 506-137-*	Top	X	X	X
10	111-032	Outlet Airframe Assembly	X	X	X
11	508-097	Back	X	X	X
12	113-122	Filter Bracket	2	2	2
13	133-104	Control Panel Cover (Inner)	X	X	
13	133-110	Control Panel Cover (Inner)			X
14	(1) 118-028-*	Side Grille	2	2	2
15	(1) 118-030-*	Condenser Grille	X	X	X
16	962019	Fresh Air Damper Assembly	X	X	X
17	(1) 552-213-*	Service Door	X	X	X
18	(1) 514-076-*	Upper Front	X	X	X
19	105-850	Left Side Support	X	X	X
20	(1) 142-034-*	Right Side Cover Plate (Outer)	X	X	X
21	123-080	Drain Pan	X	X	X
22	147-044	Left Evaporator Support	X	X	X
27	Control Panel Assembly	See Control Panel Assembly Drawing and Parts List	X	X	X
28	113-140	Bottom Mounting Bracket	2	2	2
29	135-127	Heat Shield	X	X	X
30	(1) 153-218-*	Disconnect Access Door	X	X	X
31	136-195	Bottom Evaporator Fill	X	X	X
32	136-170	Fill Plate	X	X	X

(1) NOTE: Exterior cabinet parts are manufactured with various paint color options. To insure that you receive the proper paint color, you must include the complete model and serial number of the unit for which cabinet parts are being ordered.

Date: 6-05-92
Supersedes:

FUNCTIONAL COMPONENTS



Date: 6-05-92
Supersedes:

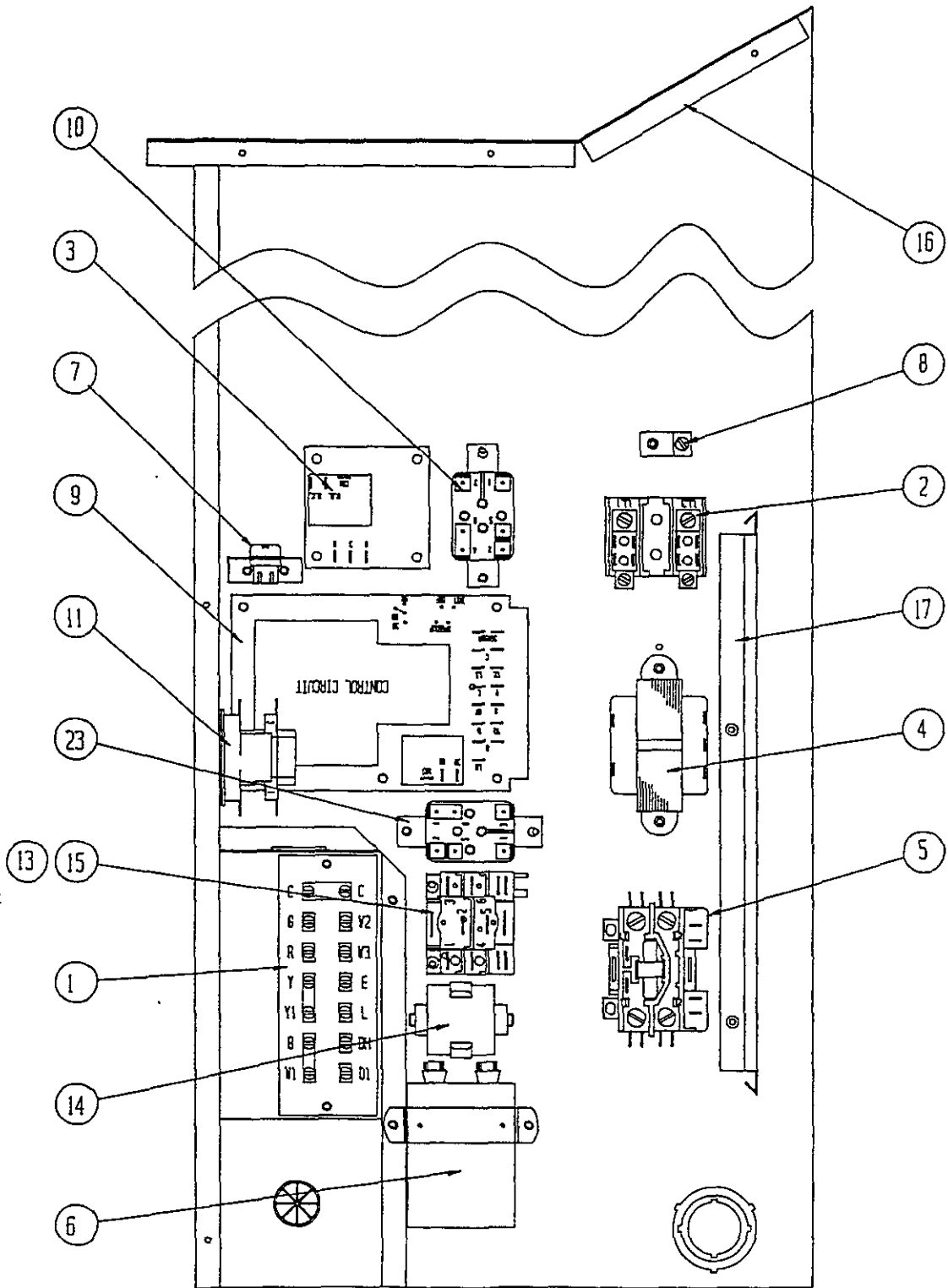
FUNCTIONAL COMPONENTS

Dwg. No.	Part No.	Description	W	W	W	W
			H	H	H	H
			1	2	2	2
			8	4	4	4
			1	1	1	1
			-	-	-	-
			A	A	B	C
1	8000-129	Compressor	X			
1	8000-140	Compressor		X		
1	8000-141	Compressor			X	
1	8000-142	Compressor				X
2	900-181	Blower Assembly	X	X	X	
2	900-182	Blower Assembly				X
3	8200-001	Fan Motor Mount	X	X	X	X
4	5151-033	Fan Blade	X	X	X	
4	5151-046	Fan Blade				X
5	8103-016	Condenser Motor	X	X	X	
5	8103-020	Condenser Motor				X
6	5051-069	Condenser Coil		X	X	X
6	5051-070	Condenser Coil	X			
7	800-0200	Cooling Capillary Assembly		X	X	X
8	5060-065	Evaporator Coil	X	X	X	X
9	7004-011	Air Filter 1" Throw-Away	X	X	X	X
9	7003-032	Air Filter 1" Washable (Optional)	X	X	X	X
9	7004-025	Air Filter 2" Pleated (Optional)	X	X	X	X
10	1171-022	1/4" Turn Fastener	X	X	X	X
11	1171-024	1/4" Turn Retainer	X	X	X	X
12	1171-023	1/4" Receptacle	X	X	X	X
13	5650-020	Reversing Valve	X	X	X	X
14	5650-022	Reversing Valve Solenoid	X	X	X	X
15	5202-021	Accumulator		X	X	X
16	8408-027	Defrost Sensor	X	X	X	X
17	800-0199	Heating Capillary Assembly		X	X	X
17	5651-094	TXV Thermal Expansion Valve	X			
18	8406-055	High Pressure Switch (Solder)	X	X	X	X
19	5625-013	Heating Distributor	X			
20	5625-012	Cooling Distributor (Male)	X			
21	5625-052	Cooling Orifice (.052)	X			
22	5625-003	Cooling Distributor (Female)	X			
NS	8406-061	Low Pressure Switch (Solder) (Optional)	X	X	X	X
NS	8406-062	Low Ambient Control (Solder) (Optional)	X	X	X	X
NS	1804-0106	High Pressure Switch (Flare) (Optional)	X	X	X	X
NS	1804-0107	Low Pressure Switch (Flare) (Optional)	X	X	X	X
NS	1804-0108	Low Ambient Control (Flare) (Optional)	X	X	X	X

NS = Not Shown

Date: 6-05-92
Supersedes:

CONTROL PANEL



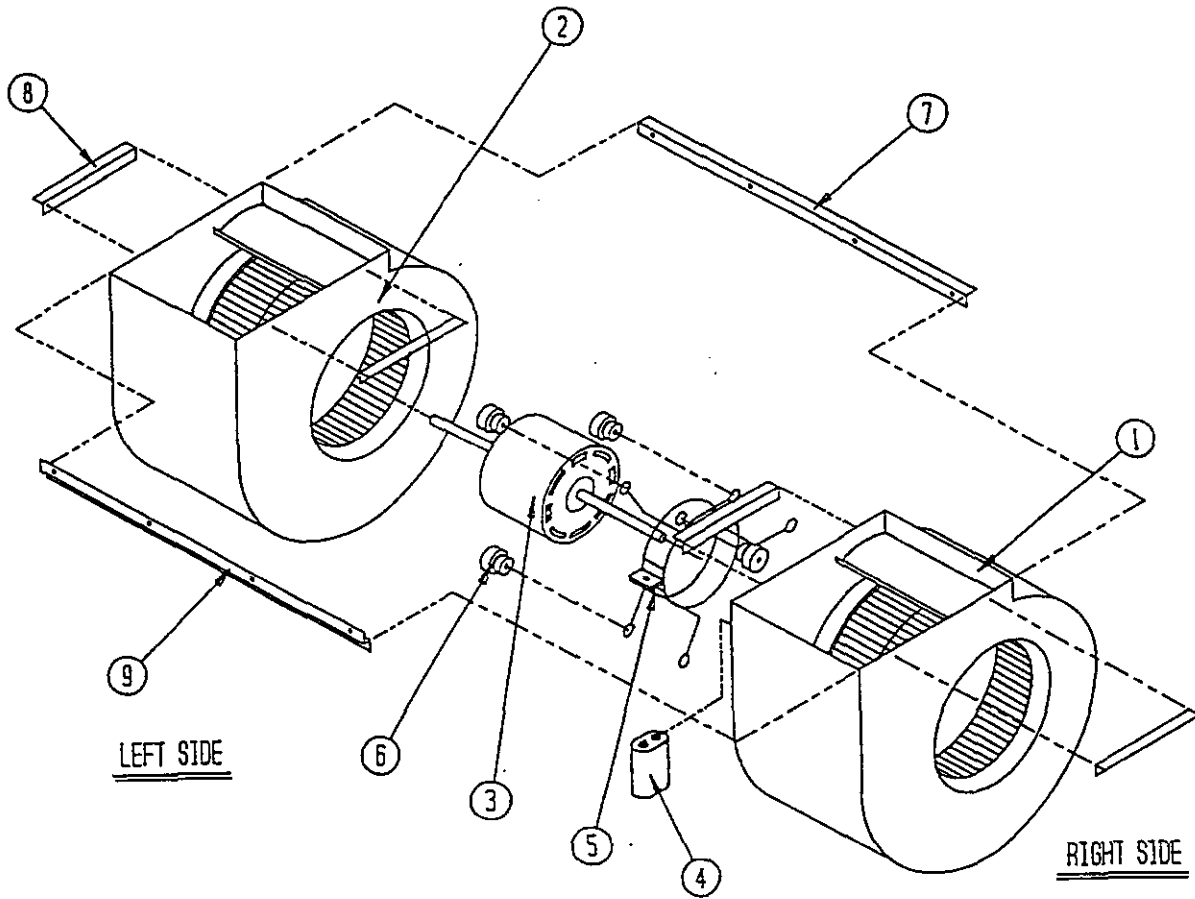
Date: 6-05-92
Supersedes:

CONTROL PANEL

Dwg. No.	Part No.	Description	W	W	W	W
			H	H	H	H
			1	2	2	2
			8	4	4	4
			1	1	1	1
			-	-	-	-
			A	A	B	C
1	8607-018	Low Voltage Terminal Strip	X	X	X	X
2	8607-013	Terminal Block 2 Pole	X	X		
2	8607-014	Terminal Block 3 Pole			X	X
2	8607-015	Phelon Insulator				X
3	8201-056	Blower Control	X	X	X	
3	8201-032	Blower Relay				X
4	8407-035	Transformer	X	X	X	
4	8407-042	Transformer				X
5	8401-007	Compressor Contactor	X	X		
5	8401-002	Compressor Contactor			X	X
6	8552-047	Compressor Capacitor	X			
6	8552-046	Compressor Capacitor		X		
6	8552-002	Outdoor Motor Capacitor			X	X
7	135-122	Heat Pump Control Board	X	X	X	X
8	8611-006	Ground Terminal	X	X	X	X
9	8201-064	Heat Pump Control Board	X	X	X	X
10	8201-062	Control Relay 1	X	X	X	X
11	8201-065	Low Pressure Bypass (TDR) (Optional)	X	X	X	X
12	8201-008	Low Ambient Bypass Relay (Optional)	X	X	X	X
13	8611-016	LAC Terminal Block (Optional)	X	X	X	X
14	8551-005	Start Device	X	X		
15	8201-032	Outdoor Fan Relay				X
	4096-110	Wiring Diagram		X		
	4096-111	Wiring Diagram	X			
	4096-210	Wiring Diagram			X	
	4096-310	Wiring Diagram				X

Date: 6-05-92
Supersedes:

BLOWER ASSEMBLY



Dwg. No.	Part No.	Description	9	9
			0	0
			0	0
			1	1
			8	8
			1	2
1	5152-069	Housing, Wheel and Cutoff (CW)	X	X
2	5152-070	Housing, Wheel and Cutoff	X	X
3	8102-011	Blower Motor (230/208)	X	
3	8105-033	Blower Motor (460)		X
4	8552-002	Capacitor	X	X
5	8200-039	Motor Mount	X	X
6	5451-011	Grommets	6	6
7	105-870	Back Brace	X	X
8	105-869	Side Angle	4	4
9	103-400	Front Brace	X	X

Date: 6-05-92
Supersedes: