

REPLACEMENT PARTS MANUAL

WALL MOUNTED PACKAGE HEAT PUMPS

MODELS: WH181, WH241

Manual 2110-518

Revision E

Date 3-01-94

Supersedes 10-15-93

* GENERAL NOTES *

*Revised and/or additional pages may be issued from time to time.
*A complete and current manual consists of pages dated as shown in the following index.

** INDEX **

| <u>Page Description</u> | <u>Page</u> | <u>Date</u> | <u>Supersedes</u> |
|--|-------------|-------------|-------------------|
| Cabinet Components--Exploded View | 1 | 10-15-93 | 1-11-93 |
| " " --Usage List | 2 | 3-01-94 | 10-15-93 |
| Functional Components--Exploded View | 3 | 6-05-92 | |
| " " --Usage List | 4 | 9-11-92 | 6-05-92 |
| Control Panel--Layout | 5 | 3-01-94 | 9-11-92 |
| " " --Usage List | 6 | 3-01-94 | 9-11-92 |
| Blower Assembly--Exploded View, Usage List | 7 | 1-11-93 | 7-01-92 |

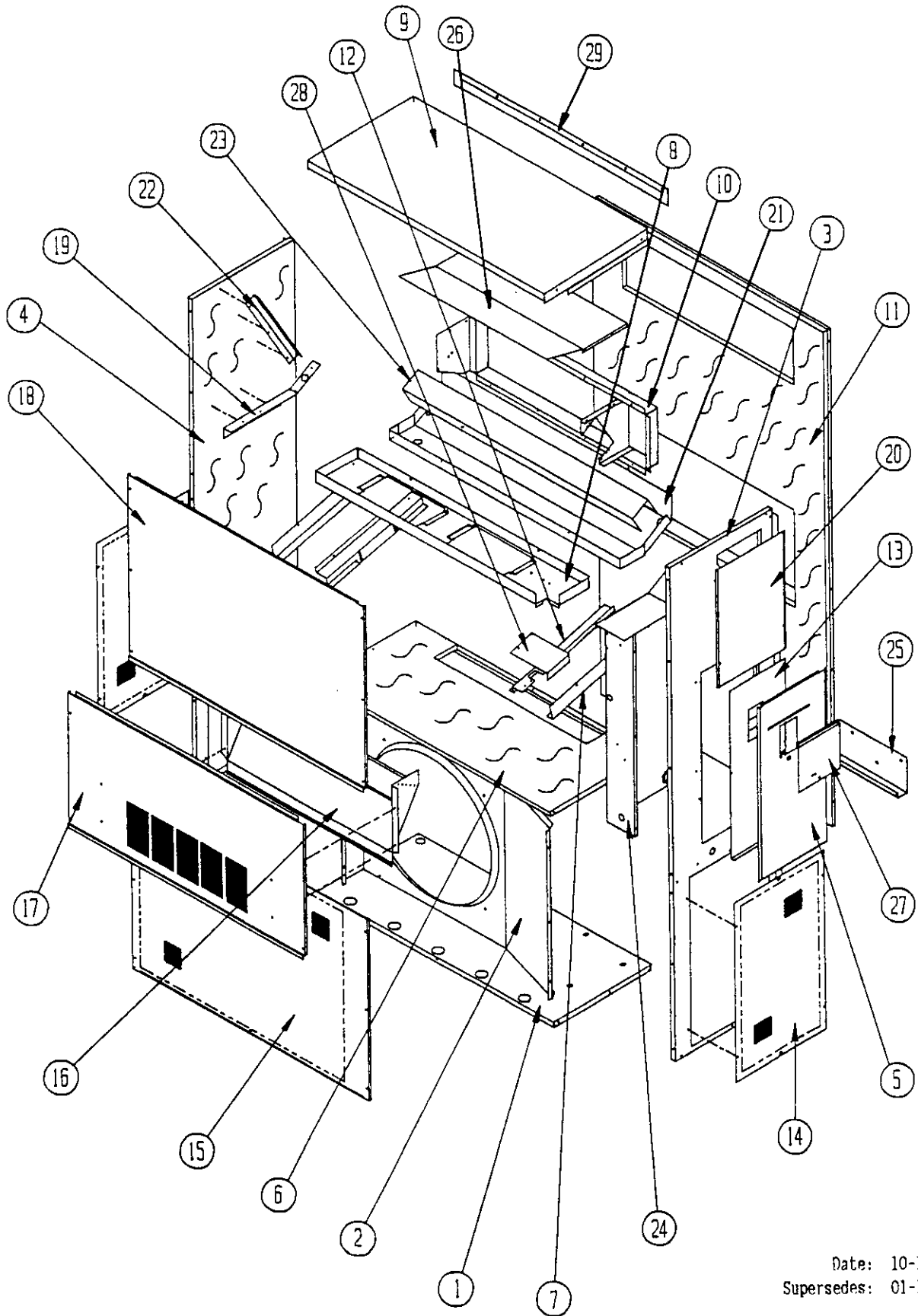
*** IMPORTANT ***

Contact the installing and/or local Bard distributor for all parts requirements. Make sure you have the complete model and serial number available from the unit rating plate.

BARD MANUFACTURING COMPANY

BRYAN, OHIO 43506

CABINET COMPONENTS



Date: 10-15-93
Supersedes: 01-11-93

CABINET COMPONENTS

| Dwg. No. | Part No. | Description | W | W | W |
|----------|------------------------|---|---|------|---|
| | | | H | H | H |
| | | | 1 | 2 | 2 |
| | | | 8 | 4 | 4 |
| | | | 1 | 1 | 1 |
| | | | - | - | - |
| | | | A | A, B | C |
| 1 | S127-204 | Lower Base | X | X | X |
| 2 | 125-023 | Fan Shroud | X | X | X |
| 3 | (1) S500-228-* | Right Side | X | X | X |
| 4 | (1) S500-229-* | Left Side | X | X | X |
| 5 | (1) S533-109-* | Control Panel Cover (Outer) | X | X | X |
| 6 | S520-204 | Condenser Partition | X | X | X |
| 7 | 105-849 | Filter Support Angle | 2 | 2 | 2 |
| 8 | 121-190 | Blower Partition | X | X | X |
| 9 | (1) S506-137-* | Top | X | X | X |
| 10 | S111-032 | Outlet Airframe Assembly | X | X | X |
| 11 | S508-097 | Back | X | X | X |
| 12 | 113-122 | Filter Bracket | 2 | 2 | 2 |
| 13 | S133-104 | Control Panel Cover (Inner) | X | X | |
| 13 | S133-110 | Control Panel Cover (Inner) | | | X |
| 14 | (1) 118-028-* | Side Grille | 2 | 2 | 2 |
| 15 | (1) 118-030-* | Condenser Grille | X | X | X |
| 16 | 962019 | Fresh Air Damper Assembly | X | X | X |
| 17 | (1) S552-213-* | Service Door | X | X | X |
| 18 | (1) S514-076-* | Upper Front | X | X | X |
| 19 | 105-850 | Left Side Support | X | X | X |
| 20 | (1) 143-034-* | Right Side Cover Plate (Outer) | X | X | X |
| 21 | S123-080 | Drain Pan | X | X | X |
| 22 | 147-044-* | Left Evaporator Support | X | X | X |
| 23 | 137-195 | Bottom Evaporator Fill | X | X | X |
| 24 | Control Panel Assembly | See Control Panel Assembly Drawing and Parts List | X | X | X |
| 25 | 113-140 | Bottom Mounting Bracket | 1 | 1 | 1 |
| 26 | 135-127 | Heat Shield | X | X | X |
| 27 | (1) S153-218-* | Disconnect Access Door | X | X | X |
| 28 | 137-259 | Fill Plate | X | X | X |
| 29 | (1) 113-141-* | Top Rain Flashing | X | X | X |

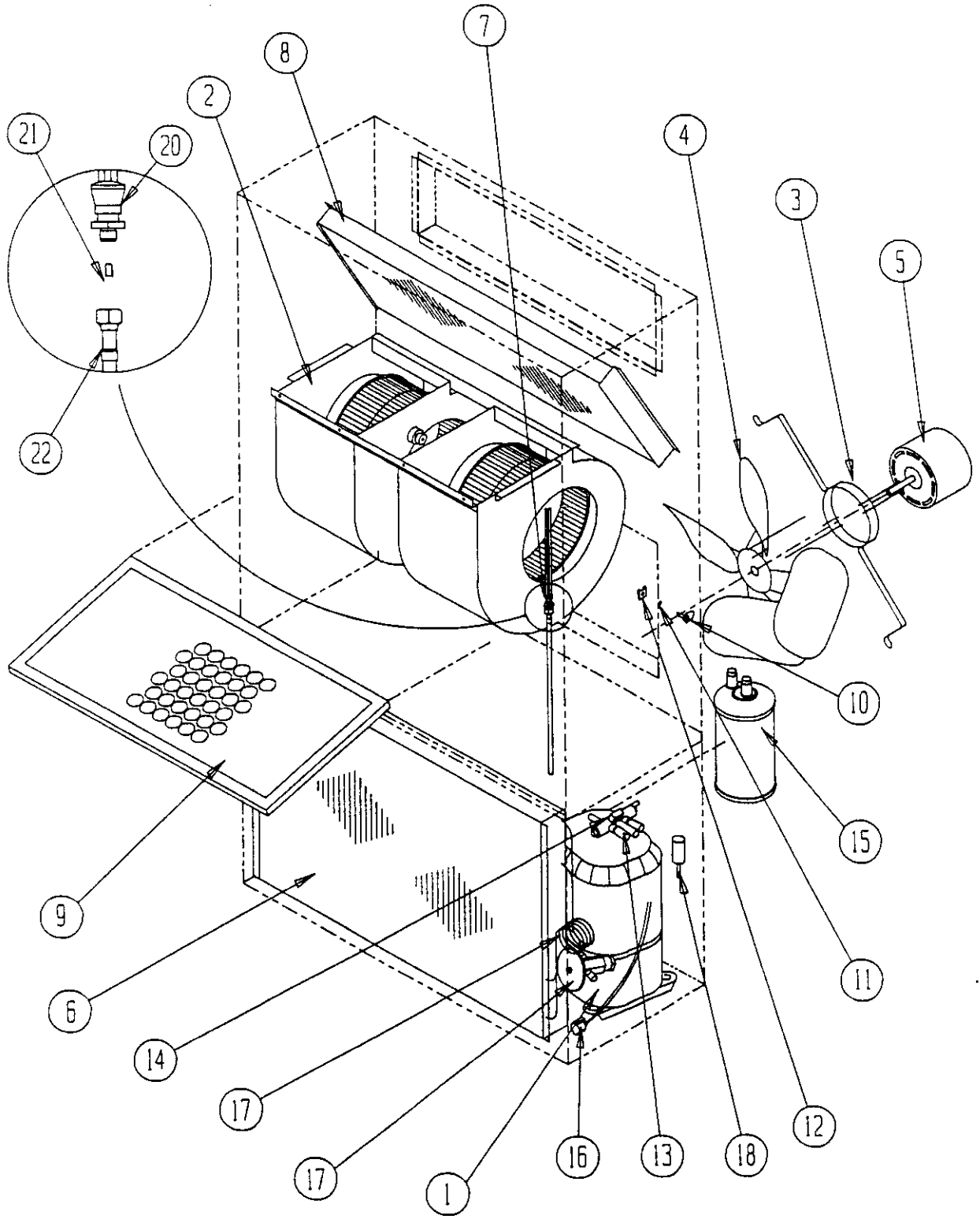
(1) NOTE: Exterior cabinet parts are manufactured with various paint color options. To insure that you receive the proper paint color, you must include the complete model and serial number of the unit for which cabinet parts are being ordered.

Date: 3-01-94
Supersedes: 10-15-93

2110-518

Page: 2

FUNCTIONAL COMPONENTS



Date: 6-05-92
Supersedes:

2110-518
Page: 3

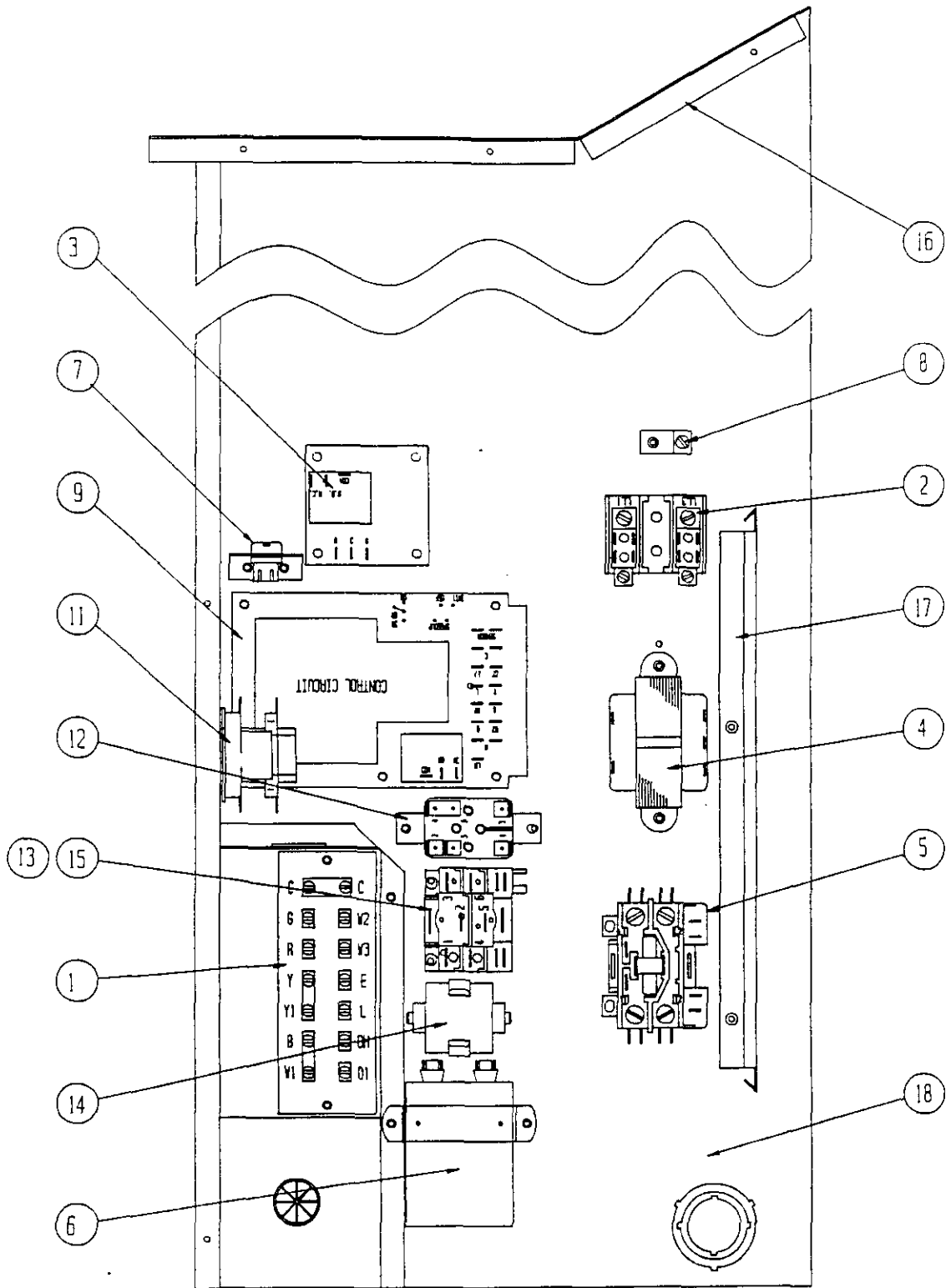
FUNCTIONAL COMPONENTS

| Dwg. No. | Part No. | Description | W | W | W | W |
|----------|-----------|---|---|---|---|---|
| | | | H | H | H | H |
| | | | 1 | 2 | 2 | 2 |
| | | | 8 | 4 | 4 | 4 |
| | | | 1 | 1 | 1 | 1 |
| | | | - | - | - | - |
| | | | A | A | B | C |
| 1 | 8000-129 | Compressor | x | | | |
| 1 | 8000-140 | Compressor | | x | | |
| 1 | 8000-141 | Compressor | | | x | |
| 1 | 8000-142 | Compressor | | | | x |
| 2 | S900-181 | Blower Assembly | x | x | x | |
| 2 | S900-182 | Blower Assembly | | | | x |
| 3 | 8200-001 | Fan Motor Mount | x | x | x | x |
| 4 | 5151-033 | Fan Blade | x | x | x | |
| 4 | 5151-046 | Fan Blade | | | | x |
| 5 | 8103-016 | Condenser Motor | x | x | x | |
| 5 | 8103-020 | Condenser Motor | | | | x |
| 6 | 5051-069 | Condenser Coil | | x | x | x |
| 6 | 5051-070 | Condenser Coil | x | | | |
| 7 | 800-0200 | Cooling Capillary Assembly | | x | x | x |
| 8 | 5060-065 | Evaporator Coil | x | x | x | x |
| 9 | 7004-011 | Air Filter 1" Throw-Away | x | x | x | x |
| 9 | 7003-032 | Air Filter 1" Washable (Optional) | x | x | x | x |
| 9 | 7004-025 | Air Filter 2" Pleated (Optional) | x | x | x | x |
| 10 | 1171-022 | 1/4" Turn Fastener | x | x | x | x |
| 11 | 1171-024 | 1/4" Turn Retainer | x | x | x | x |
| 12 | 1171-023 | 1/4" Receptacle | x | x | x | x |
| 13 | 5650-020 | Reversing Valve | x | x | x | x |
| 14 | 5650-022 | Reversing Valve Solenoid | x | x | x | x |
| 15 | 5202-021 | Accumulator | | x | x | x |
| 16 | 8408-027 | Defrost Sensor | x | x | x | x |
| 17 | 800-0199 | Heating Capillary Assembly | | x | x | x |
| 17 | 5651-094 | TXV Thermal Expansion Valve | x | | | |
| 18 | 8406-055 | High Pressure Switch (Solder) | x | x | x | x |
| 19 | 5625-013 | Heating Distributor | x | | | |
| 20 | 5625-012 | Cooling Distributor (Male) | x | | | |
| 21 | 5625-052 | Cooling Orifice (.052) | x | | | |
| 22 | 5625-003 | Cooling Distributor (Female) | x | | | |
| NS | 8406-061 | Low Pressure Switch (Solder) (Optional) | x | x | x | x |
| NS | 8406-062 | Low Ambient Control (Solder) (Optional) | x | x | x | x |
| NS | 1804-0106 | High Pressure Switch (Flare) (Optional) | x | x | x | x |
| NS | 1804-0107 | Low Pressure Switch (Flare) (Optional) | x | x | x | x |
| NS | 1804-0108 | Low Ambient Control (Flare) (Optional) | x | x | x | x |

NS = Not Shown

Date: 09-11-92
Supersedes: 06-05-92

CONTROL PANEL



Date: 03-01-94
Supersedes: 09-11-92

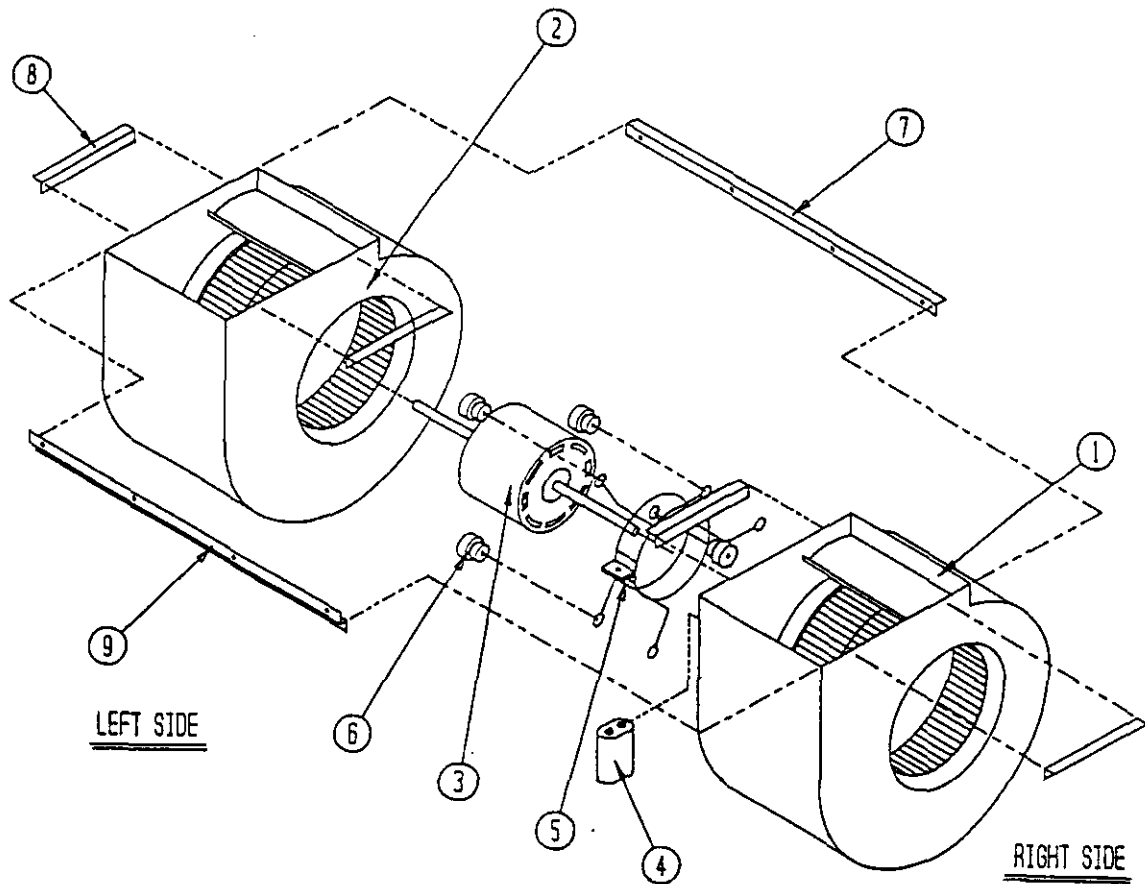
2110-518
Page: 5

CONTROL PANEL

| Dwg. No. | Part No. | Description | W | W | W | W |
|----------|----------|--------------------------------------|---|---|---|---|
| | | | H | H | H | H |
| | | | 1 | 2 | 2 | 2 |
| | | | 8 | 4 | 4 | 4 |
| | | | 1 | 1 | 1 | 1 |
| | | | - | - | - | - |
| | | | A | A | B | C |
| 1 | 8607-019 | Low Voltage Terminal Strip | X | X | X | X |
| 2 | 8607-013 | Terminal Block 2 Pole | X | X | | |
| 2 | 8607-014 | Terminal Block 3 Pole | | | X | X |
| 2 | 8607-015 | Phelon Insulator | | | | X |
| 3 | 8201-056 | Blower Control | X | X | X | |
| 3 | 8201-032 | Blower Relay | | | | X |
| 4 | 8407-035 | Transformer | X | X | X | |
| 4 | 8407-042 | Transformer | | | | X |
| 5 | 8401-007 | Compressor Contactor | X | X | | |
| 5 | 8401-002 | Compressor Contactor | | | X | X |
| 6 | 8552-047 | Compressor Capacitor | | X | | |
| 6 | 8552-046 | Compressor Capacitor | X | | | |
| 6 | 8552-002 | Outdoor Motor Capacitor | | | X | X |
| 8 | 8611-006 | Ground Terminal | X | X | X | X |
| 9 | 8201-069 | Heat Pump Control Board | X | X | X | X |
| 11 | 8201-065 | Low Pressure Bypass (TDR) (Optional) | X | X | X | X |
| 12 | 8201-008 | Low Ambient Bypass Relay (Optional) | X | X | X | X |
| 13 | 8607-017 | LAC Terminal Block (Optional) | X | X | X | X |
| 14 | 8551-005 | Start Device | X | X | | |
| 15 | 8201-032 | Outdoor Fan Relay | | | | X |
| 16 | 5517-137 | Control Panel Top | X | X | X | X |
| 17 | 135-122 | Wire Shield | X | X | X | X |
| 18 | 117-123 | Control Panel | X | X | X | X |
| | 4096-110 | Wiring Diagram | | X | | |
| | 4096-111 | Wiring Diagram | X | | | |
| | 4096-210 | Wiring Diagram | | | X | |
| | 4096-310 | Wiring Diagram | | | | X |

Date: 03-01-94
Supersedes: 09-11-92

BLOWER ASSEMBLY



| Dwg. No. | Part No. | Description | 9 | 9 |
|----------|----------|--------------------------------|---|---|
| | | | 0 | 0 |
| | | | 0 | 0 |
| | | | 1 | 1 |
| | | | 8 | 8 |
| | | | 1 | 2 |
| 1 | 5152-069 | Housing, Wheel and Cutoff (CW) | X | X |
| 2 | 5152-070 | Housing, Wheel and Cutoff | X | X |
| 3 | 8102-011 | Blower Motor (230/208) | X | |
| 3 | 8105-033 | Blower Motor (460) | | X |
| 4 | 8552-002 | Capacitor | X | X |
| 5 | 8200-039 | Motor Mount | X | X |
| 6 | 5451-011 | Grommets | 6 | 6 |
| 7 | 105-869 | Back Brace | X | X |
| 8 | 104-868 | Side Angle | 4 | 4 |
| 9 | 103-400 | Front Brace | X | X |

Date: 6-05-92
Supersedes: