

REPLACEMENT PARTS MANUAL

WALL MOUNTED PACKAGE HEAT PUMPS

MODELS: WH421, WH481, WH601

Manual 2110-520

Revision B

Date 3-01-94

Supersedes 11-26-93

* GENERAL NOTES *

*Revised and/or additional pages may be issued from time to time.
*A complete and current manual consists of pages dated as shown in the following index.

** INDEX **

<u>Page Description</u>	<u>Page</u>	<u>Date</u>	<u>Supersedes</u>
Cabinet Components--Exploded View	1	3-01-94	11-11-92
" " --Usage List	2	3-01-94	11-26-93
Functional Components--Exploded View	3	11-11-92	
" " --Usage List	4	3-01-94	11-11-92
Control Panel--Layout	5	11-11-92	
" " --Usage List	6	3-01-94	11-11-92
Blower Assembly--Exploded View, Usage List	7	11-11-92	

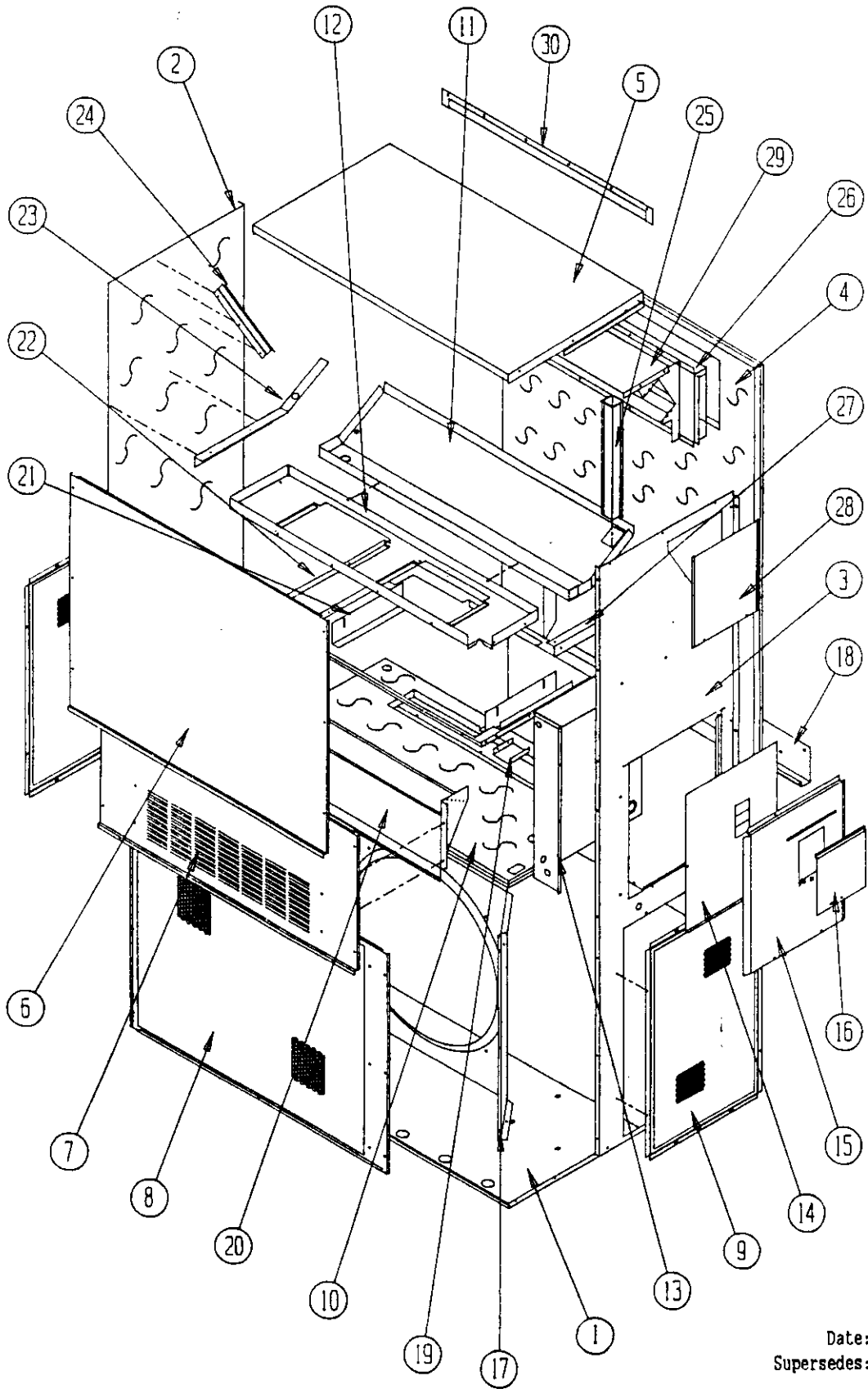
*** IMPORTANT ***

Contact the installing and/or local Bard distributor for all parts requirements. Make sure you have the complete model and serial number available from the unit rating plate.

BARD MANUFACTURING COMPANY

BRYAN, OHIO 43506

CABINET COMPONENTS



Date: 3-01-94
Supersedes: 11-11-92

2110-520

Page: 1

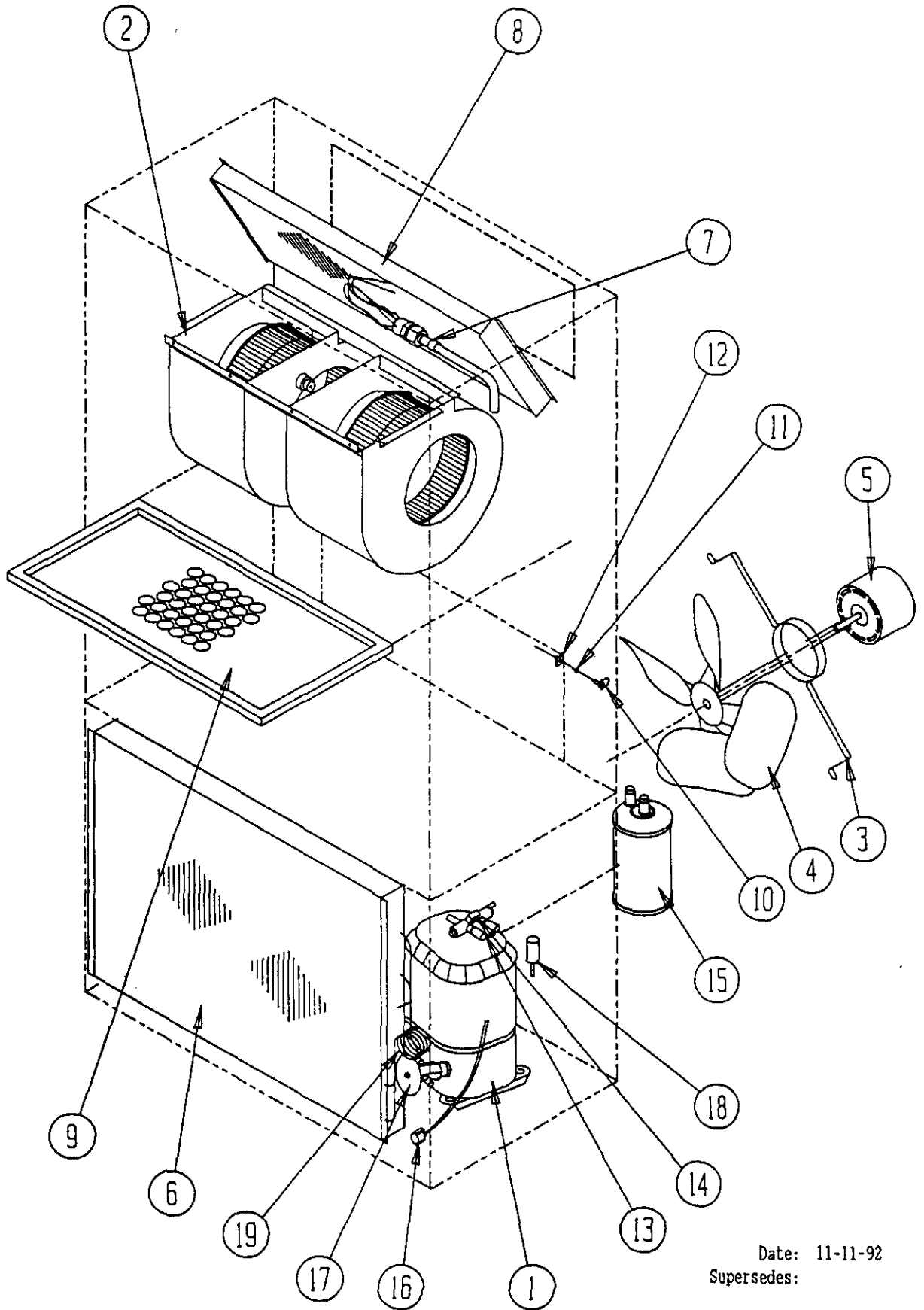
CABINET COMPONENTS

Dwg. No.	Part No.	Description	W	W	W	W	W	W
			H	H	H	H	H	H
			4	4	4	4	6	6
			2	2	8	8	0	0
			1	1	1	1	1	1
			-	-	-	-	-	-
			A.	C	A.	C	A.	C
			B	B	B	B	B	B
1	S127-214	Lower Base	X	X	X	X	X	X
2	(1) S500-262-*	Left Side	X	X	X	X	X	X
3	(1) S500-261-*	Right Side	X	X	X	X	X	X
4	S508-098	Back	X	X	X	X	X	X
5	(1) S506-142-*	Top	X	X	X	X	X	X
6	(1) S514-077-*	Upper Front	X	X	X	X	X	X
7	(1) S552-224-*	Service Door	X	X	X	X	X	X
8	(1) 118-031-*	Condenser Grille	X	X	X	X	X	X
9	(1) 118-032-*	Side Grille	2	2	2	2	2	2
10	S520-258	Condenser Partition	X	X	X	X	X	X
11	123-083	Drain Pan	X	X	X	X	X	X
12	121-216	Blower Partition	X	X	X	X	X	X
13	Control Panel Assembly	See Control Panel Assembly Drawing and Parts List	X	X	X	X	X	X
14	S133-114	Control Panel Cover (Inner)	X		X		X	
14	S133-115	Control Panel Cover (Inner)		X		X		X
15	(1) S533-113-*	Control Panel Cover (Outer)	X	X	X	X	X	X
16	(1) S153-218-*	Disconnect Access Door	X	X	X	X	X	X
17	125-024	Fan Shroud	X	X	X	X	X	X
18	113-140	Bottom Mounting Bracket	X	X	X	X	X	X
19	137-209	Fill	X	X	X	X	X	X
20	960024	Fresh Air Damper Assembly	X	X	X	X	X	X
21	113-143	Filter Bracket	2	2	2	2	2	2
22	131-096	Filter Tray	X	X	X	X	X	X
23	105-877	Left Side Support	X	X	X	X	X	X
24	(1) 147-046-*	Left Evaporator Support	X	X	X	X	X	X
25	135-128	Raceway	2	2	2	2	2	2
26	111-034	Outlet Airframe Assembly	X	X	X	X	X	X
27	105-878	Right Side Support	X	X	X	X	X	X
28	(1) 143-042-*	Right Side Cover Plate (Outer)	X	X	X	X	X	X
29	135-129	Heat Shield	X	X	X	X	X	X
30	(1) 113-150-*	Top Rain Flashing	X	X	X	X	X	X

(1) NOTE: Exterior cabinet parts are manufactured with various paint color options. To insure that you receive the proper paint color, you must include the complete model and serial number of the unit for which cabinet parts are being ordered.

Date: 3-01-94
Supersedes: 11-26-93

FUNCTIONAL COMPONENTS



Date: 11-11-92
Supersedes:

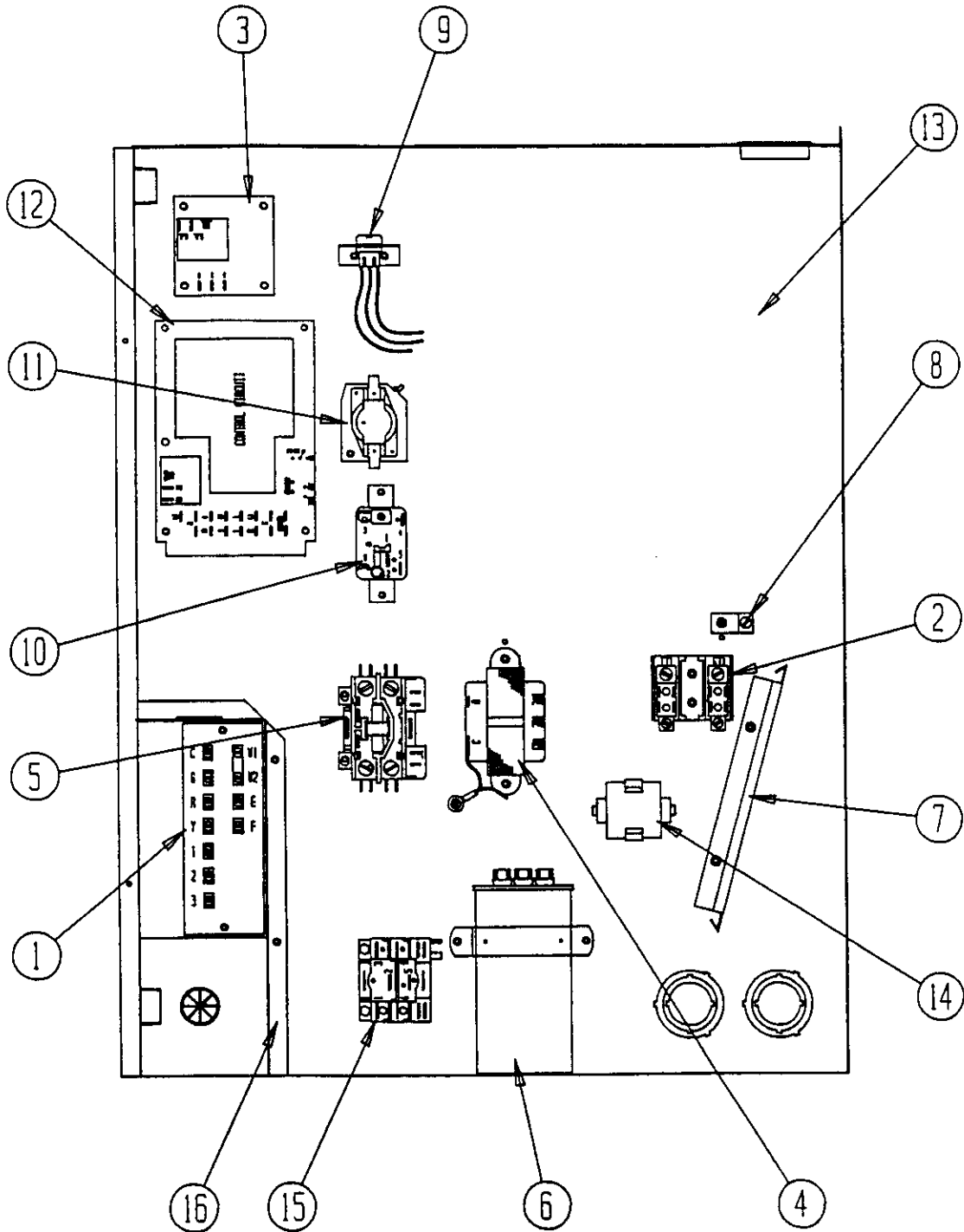
FUNCTIONAL COMPONENTS

Dwg. No.	Part No.	Description	W	W	W	W	W	W	W	W	W
			H	H	H	H	H	H	H	H	H
			4	4	4	4	4	4	4	6	6
			2	2	2	8	8	8	0	0	0
			1	1	1	1	1	1	1	1	1
			-	-	-	-	-	-	-	-	-
			A	B	C	A	B	C	A	B	C
1	8000-121	Compressor							X		
1	8000-122	Compressor								X	
1	8000-148	Compressor									X
1	8000-126	Compressor	X								
1	8000-127	Compressor		X							
1	8000-128	Compressor			X						
1	8000-137	Compressor				X					
1	8000-146	Compressor					X				
1	8000-147	Compressor						X			
2	S900-183	Blower Assembly	X	X		X	X				
2	S900-184	Blower Assembly			X			X			
2	S900-185	Blower Assembly							X	X	
2	S900-186	Blower Assembly									X
3	8200-004	Fan Motor Mount	X	X	X	X	X	X	X	X	X
4	5151-027	Fan Blade	X	X	X	X	X	X	X	X	X
5	8105-039	Condenser Motor	X	X		X	X		X	X	
5	8105-030	Condenser Motor			X			X			X
6	5051-076	Condenser Coil	X	X	X						
6	5051-075	Condenser Coil				X	X	X			
6	5051-077	Condenser Coil							X	X	X
7	800-0205	Cooling Distributor Assembly	X	X	X						
7	800-0206	Cooling Distributor Assembly				X	X	X			
7	800-0207	Cooling Distributor Assembly							X	X	X
8	5060-070	Evaporator Coil	X	X	X	X	X	X			
8	5060-071	Evaporator Coil							X	X	X
9	7004-016	Air Filter 1" Throw-Away	X	X	X	X	X	X	X	X	X
9	7003-030	Air Filter 1" Washable	X	X	X	X	X	X	X	X	X
9	7004-027	Air Filter 2" Pleated	X	X	X	X	X	X	X	X	X
10	1171-022	1/4" Turn Fastener	X	X	X	X	X	X	X	X	X
11	1171-024	1/4" Turn Retainer	X	X	X	X	X	X	X	X	X
12	1171-023	1/4" Receptacle	X	X	X	X	X	X	X	X	X
13	5650-021	Reversing Valve	X	X	X						
13	5650-024	Reversing Valve				X	X	X			
13	5650-025	Reversing Valve							X	X	X
14	5650-022	Reversing Valve Solenoid	X	X	X	X	X	X	X	X	X
15	5202-011	Accumulator	X	X	X						
16	8408-027	Defrost Sensor	X	X	X	X	X	X	X	X	X
17	5651-102	Expansion Valve				X	X	X			
17	5651-103	Expansion Valve							X	X	X
18	8406-055	High Pressure Switch (Solder)	X	X	X	X	X	X	X	X	X
19	800-0210	Heating Distributor Assembly				X	X	X			
19	800-0211	Heating Distributor Assembly							X	X	X
19	800-0208	Heating Capillary Assembly	X	X	X						
NS	8406-061	Low Pressure Switch (Solder) (Optional)	X	X	X	X	X	X	X	X	X
NS	8406-062	Low Ambient Control (Solder) (Optional)	X	X	X	X	X	X	X	X	X
NS	1804-0106	High Pressure Switch (Flare) (Optional)	X	X	X	X	X	X	X	X	X
NS	1804-0107	Low Pressure Switch (Flare) (Optional)	X	X	X	X	X	X	X	X	X
NS	1804-0108	Low Ambient Control (Flare) (Optional)	X	X	X	X	X	X	X	X	X

NS - Not Shown

Date: 3-01-94
 Supersedes: 11-11-92
 2110-520
 Page: 4

CONTROL PANEL



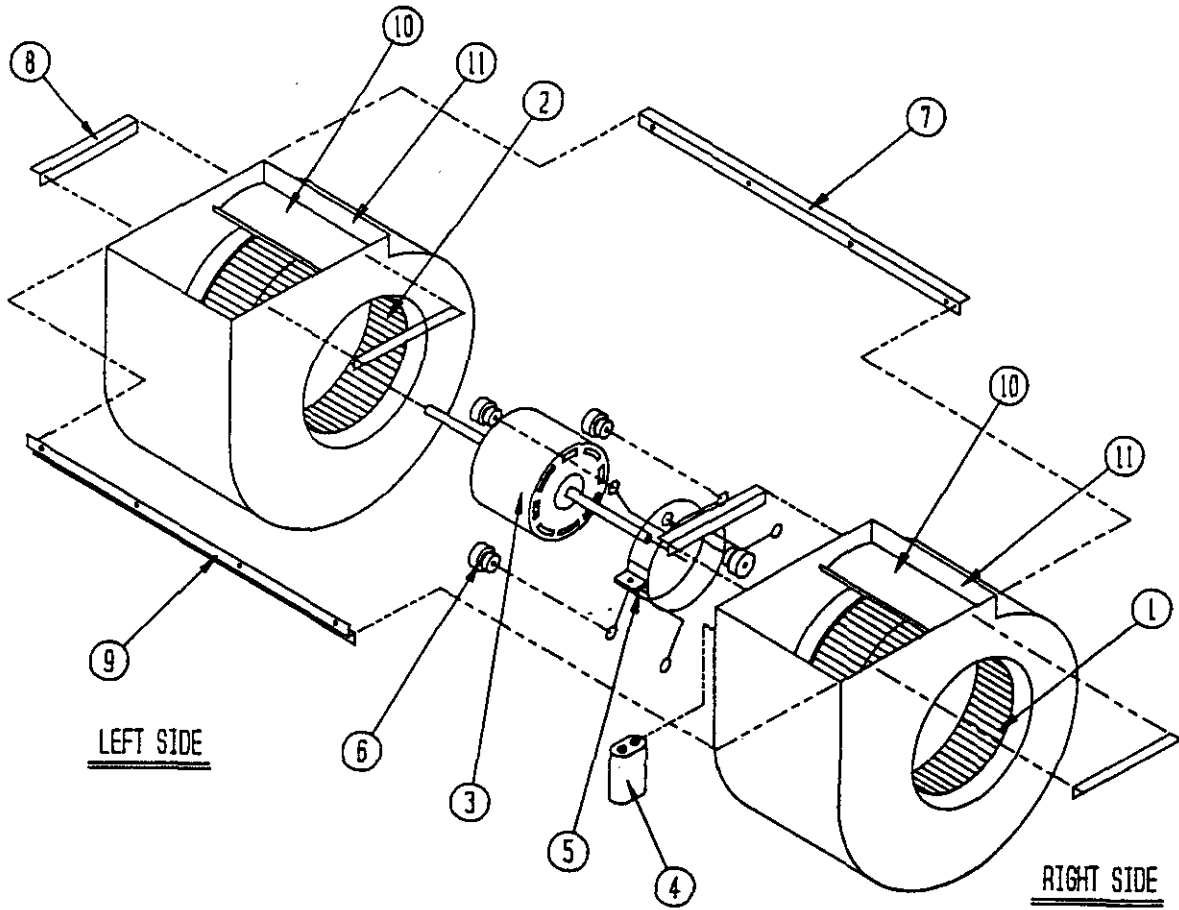
Date: 11-11-92
Supersedes:

CONTROL PANEL

Dwg. No.	Part No.	Description	W	W	W	W	W	W	W	W	W
			H	H	H	H	H	H	H	H	H
			4	4	4	4	4	4	4	6	6
			2	2	2	8	8	8	0	0	0
			1	1	1	1	1	1	1	1	1
			-	-	-	-	-	-	-	-	-
			A	B	C	A	B	C	A	B	C
1	8607-018	Low Voltage Terminal Strip	X	X	X	X	X	X	X	X	X
2	8607-013	Terminal Block 2 Pole	X			X			X		
2	8607-014	Terminal Block 3 Pole		X	X		X	X		X	X
2	8607-015	Phelon Insulator			X			X			X
3	8201-056	Blower Control	X	X		X	X		X	X	
3	8201-032	Blower Relay			X			X			X
4	8407-035	Transformer	X	X		X	X		X	X	
4	8407-042	Transformer			X			X			X
5	8401-007	Compressor Contactor	X								
5	8401-002	Compressor Contactor		X	X		X	X		X	X
5	8401-016	Compressor Contactor				X			X		
6	8552-005	Outdoor Motor Capacitor		X			X			X	
6	8552-055	Compressor Capacitor	X			X					
6	8552-056	Compressor Capacitor						X			
6	8552-026	Outdoor Motor Capacitor			X			X			X
7	135-130	Wire Shield	X	X	X	X	X	X	X	X	X
8	8611-006	Ground Terminal	X	X	X	X	X	X	X	X	X
9	3000-977	6 Pin Connector	X	X	X	X	X	X	X	X	X
10	8201-008	Low Ambient Bypass Relay (Optional)	X	X	X	X	X	X	X	X	X
11	8201-065	Low Pressure Bypass (TDR) (Optional)	X	X	X	X	X	X	X	X	X
12	8201-069	Heat Pump Control Board	X	X	X	X	X	X	X	X	X
13	117-143	Control Panel	X	X	X	X	X	X	X	X	X
14	8551-005	Start Device	X								
15	8201-032	Outdoor Fan Relay			X			X			X
16	117-139	Low Voltage Box	X	X	X	X	X	X	X	X	X
	4096-110	Wiring Diagram	X			X					
	4096-210	Wiring Diagram		X			X				
	4096-310	Wiring Diagram			X			X			
	4096-113	Wiring Diagram							X		
	4096-213	Wiring Diagram								X	
	4096-313	Wiring Diagram									X

Date: 3-01-94
Supersedes: 11-11-92

BLOWER ASSEMBLY



BLOWER ASSEMBLY

Dwg. No.	Part No.	Description	9	9	9	9
			0	0	0	0
			0	0	0	0
			1	1	1	1
			8	8	8	8
			3	4	5	6
1	5152-011	10 Inch Wheel (CW)			X	X
1	5152-057	9 Inch Wheel (CW)	X	X		
2	5152-012	10 Inch Wheel (CCW)			X	X
2	5152-058	9 Inch Wheel (CCW)	X	X		
3	8106-030	Blower Motor (230/208)	X		X	
3	8106-025	Blower Motor (460)		X		X
4	8552-005	Capacitor	X	X	X	X
5	8200-040	Motor Mount	X	X	X	X
6	5451-011	Grommets	6	6	6	6
7	105-880	Back Brace	X	X	X	X
8	105-881	Side Angle	4	4	4	4
9	103-389	Front Brace	X	X	X	X
10	151-101	Housing	2	2	2	2
11	144-166	Diffuser	2	2	2	2

Date: 11-11-92
Supersedes: