

REPLACEMENT PARTS MANUAL

WALL MOUNTED PACKAGE HEAT PUMPS

MODELS: WH421, WH482, WH602

Manual 2110-521

Revision A

Date 3-01-94

Supersedes 11-11-93

* GENERAL NOTES *

*Revised and/or additional pages may be issued from time to time.
*A complete and current manual consists of pages dated as shown in the following index.

** INDEX **

| <u>Page Description</u> | <u>Page</u> | <u>Date</u> | <u>Supersedes</u> |
|--|-------------|-------------|-------------------|
| Cabinet Components--Exploded View | 1 | 3-01-94 | 11-11-93 |
| " " --Usage List | 2 | 3-01-94 | 11-11-93 |
| Functional Components--Exploded View | 3 | 11-11-93 | |
| " " --Usage List | 4 | 3-01-94 | 11-11-93 |
| Control Panel--Layout | 5 | 11-11-93 | |
| " " --Usage List | 6 | 3-01-94 | 11-11-93 |
| Blower Assembly--Exploded View, Usage List | 7 | 11-11-93 | |

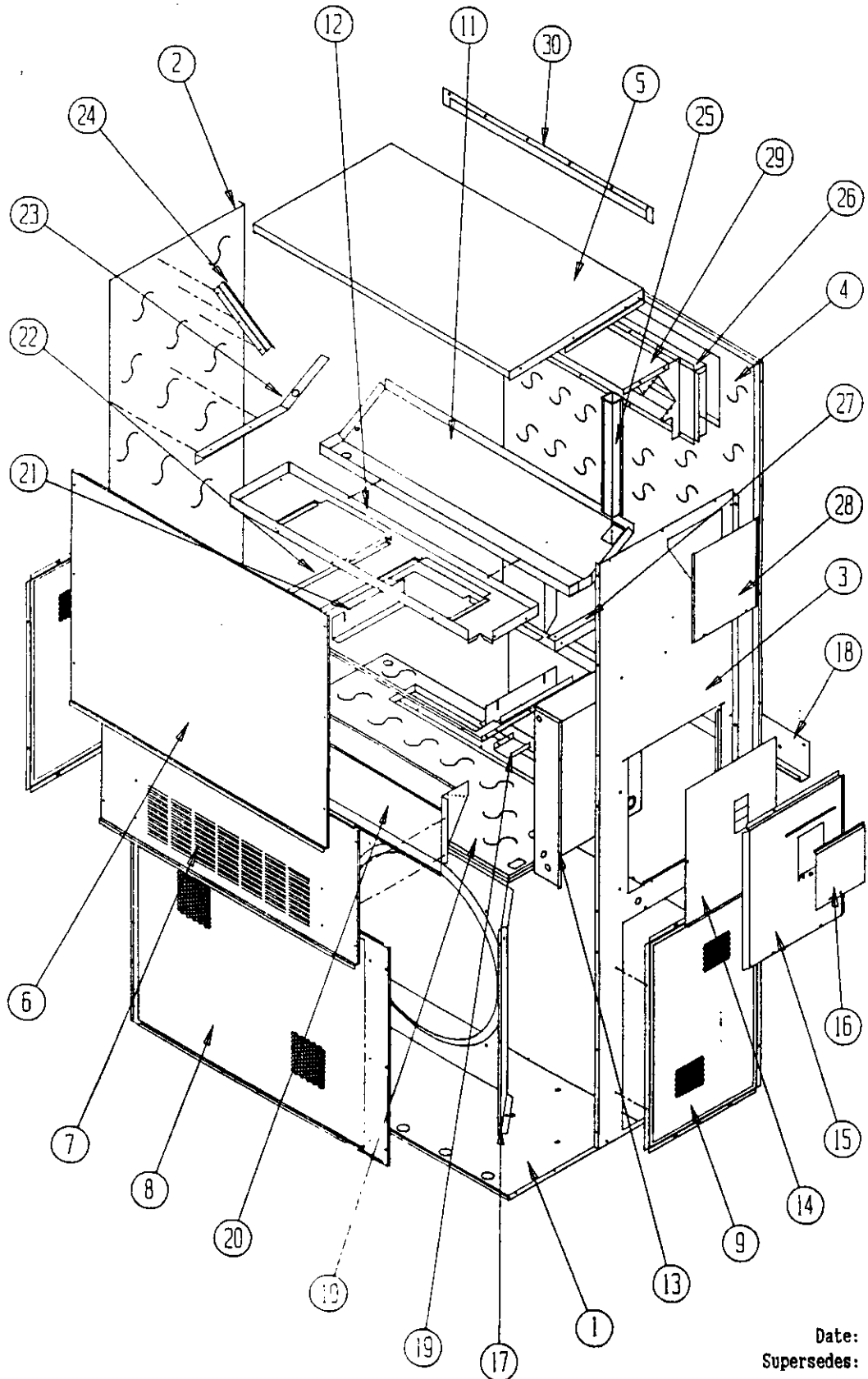
*** IMPORTANT ***

Contact the installing and/or local Bard distributor for all parts requirements. Make sure you have the complete model and serial number available from the unit rating plate.

BARD MANUFACTURING COMPANY

BRYAN, OHIO 43506

CABINET COMPONENTS



Date: 3-01-94
Supersedes: 11-11-93

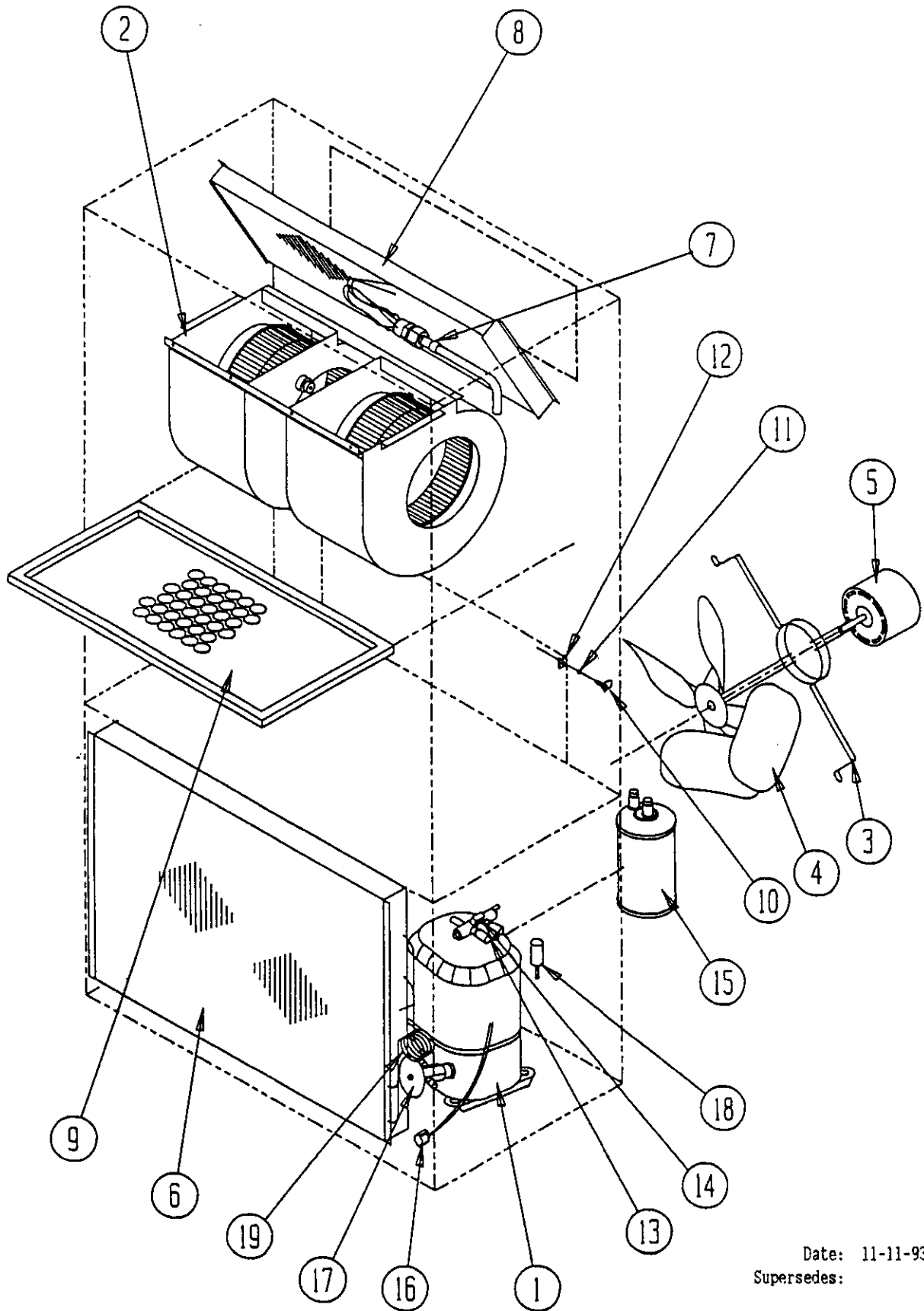
CABINET COMPONENTS

| Dwg. No. | Part No. | Description | W | W | W | W | W | W |
|----------|------------------------|---|------|---|------|---|------|---|
| | | | H | H | H | H | H | H |
| | | | 4 | 4 | 4 | 4 | 6 | 6 |
| | | | 2 | 2 | 8 | 8 | 0 | 0 |
| | | | 1 | 1 | 2 | 2 | 2 | 2 |
| | | | - | - | - | - | - | - |
| | | | A, B | C | A, B | C | A, B | C |
| 1 | S127-214 | Lower Base | X | X | X | X | X | X |
| 2 | (1) S500-262-* | Left Side | X | X | X | X | X | X |
| 3 | (1) S500-261-* | Right Side | X | X | X | X | X | X |
| 4 | S508-098 | Back | X | X | X | X | X | X |
| 5 | (1) S506-142-* | Top | X | X | X | X | X | X |
| 6 | (1) S514-077-* | Upper Front | X | X | X | X | X | X |
| 7 | (1) S552-224-* | Service Door | X | X | X | X | X | X |
| 8 | (1) 118-031-* | Condenser Grille | X | X | X | X | X | X |
| 9 | (1) 118-032-* | Side Grille | 2 | 2 | 2 | 2 | 2 | 2 |
| 10 | 520-258 | Condenser Partition | X | X | X | X | X | X |
| 11 | 123-083 | Drain Pan | X | X | X | X | X | X |
| 12 | 121-216 | Blower Partition | X | X | X | X | X | X |
| 13 | Control Panel Assembly | See Control Panel Assembly Drawing and Parts List | X | X | X | X | X | X |
| 14 | S133-114 | Control Panel Cover (Inner) | X | | X | | X | |
| 14 | S133-115 | Control Panel Cover (Inner) | | X | | X | | X |
| 15 | (1) S533-113-* | Control Panel Cover (Outer) | X | X | X | X | X | X |
| 16 | (1) S153-218-* | Disconnect Access Door | X | X | X | X | X | X |
| 17 | 125-024 | Fan Shroud | X | X | X | X | X | X |
| 18 | 113-140 | Bottom Mounting Bracket | X | X | X | X | X | X |
| 19 | 137-209 | Fill | X | X | X | X | X | X |
| 20 | 960024 | Fresh Air Damper Assembly | X | X | X | X | X | X |
| 21 | 113-143 | Filter Bracket | 2 | 2 | 2 | 2 | 2 | 2 |
| 22 | 131-096 | Filter Tray | X | X | X | X | X | X |
| 23 | 105-877 | Left Side Support | X | X | X | X | X | X |
| 24 | (1) 147-046-* | Left Evaporator Support | X | X | X | X | X | X |
| 25 | 135-128 | Raceway | 2 | 2 | 2 | 2 | 2 | 2 |
| 26 | 111-034 | Outlet Airframe Assembly | X | X | X | X | X | X |
| 27 | 105-878 | Right Side Support | X | X | X | X | X | X |
| 28 | (1) 143-042-* | Right Side Cover Plate (Outer) | X | X | X | X | X | X |
| 29 | 135-129 | Heat Shield | X | X | X | X | X | X |
| 30 | (1) 113-150-* | Top Rain Flashing | X | X | X | X | X | X |

(1) NOTE: Exterior cabinet parts are manufactured with various paint color options. To insure that you receive the proper paint color, you must include the complete model and serial number of the unit for which cabinet parts are being ordered.

Date: 3-01-94
Supersedes: 11-11-93

FUNCTIONAL COMPONENTS



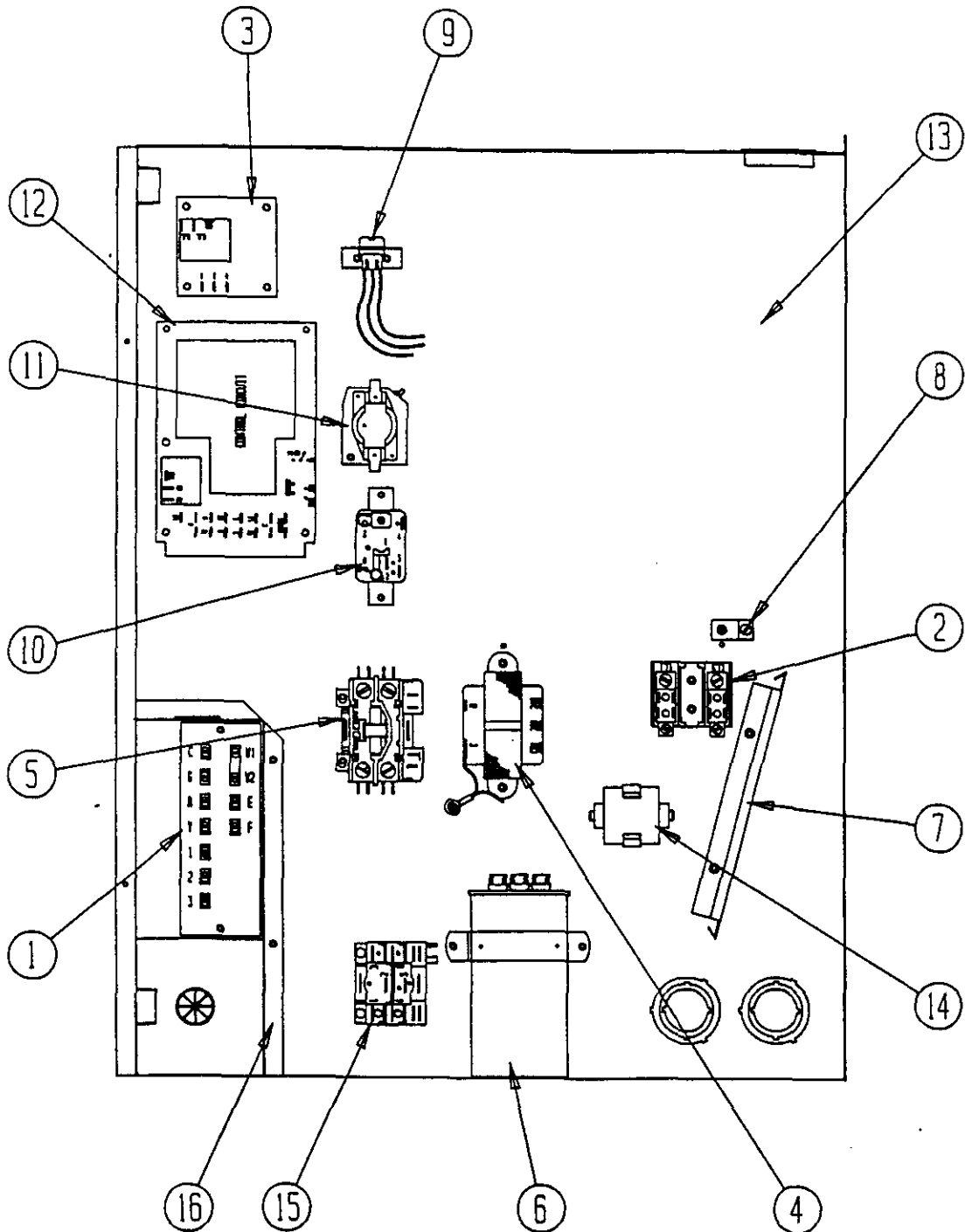
Date: 11-11-93
Supersedes:

FUNCTIONAL COMPONENTS

| Dwg. No. | Part No. | Description | W | W | W | W | W | W | W | W | W |
|----------|-----------|---|---|---|---|---|---|---|---|---|---|
| | | | H | H | H | H | H | H | H | H | H |
| | | | 4 | 4 | 4 | 4 | 4 | 4 | 4 | 6 | 6 |
| | | | 2 | 2 | 2 | 8 | 8 | 8 | 0 | 0 | 0 |
| | | | 1 | 1 | 1 | 2 | 2 | 2 | 2 | 2 | 2 |
| | | | - | - | - | - | - | - | - | - | - |
| | | | A | B | C | A | B | C | A | B | C |
| 1 | 8000-153 | Compressor | | | | | | | X | | |
| 1 | 8000-154 | Compressor | | | | | | | | X | |
| 1 | 8000-155 | Compressor | | | | | | | | | X |
| 1 | 8000-126 | Compressor | X | | | | | | | | |
| 1 | 8000-127 | Compressor | | X | | | | | | | |
| 1 | 8000-128 | Compressor | | | X | | | | | | |
| 1 | 8000-149 | Compressor | | | | X | | | | | |
| 1 | 8000-156 | Compressor | | | | | X | | | | |
| 1 | 8000-157 | Compressor | | | | | | X | | | |
| 2 | S900-183 | Blower Assembly | X | X | | X | X | | | | |
| 2 | S900-184 | Blower Assembly | | | X | | | X | | | |
| 2 | S900-185 | Blower Assembly | | | | | | | X | X | |
| 2 | S900-186 | Blower Assembly | | | | | | | | | X |
| 3 | 8200-004 | Fan Motor Mount | X | X | X | X | X | X | X | X | X |
| 4 | 5151-027 | Fan Blade | X | X | X | X | X | X | X | X | X |
| 5 | 8105-039 | Condenser Motor | X | X | | X | X | | X | X | |
| 5 | 8105-030 | Condenser Motor | | | X | | | X | | | X |
| 6 | 5051-076 | Condenser Coil | X | X | X | | | | | | |
| 6 | 5051-075 | Condenser Coil | | | | X | X | X | | | |
| 6 | 5051-077 | Condenser Coil | | | | | | | X | X | X |
| 7 | 800-0205 | Cooling Distributor Assembly | X | X | X | | | | | | |
| 7 | 800-0206 | Cooling Distributor Assembly | | | | X | X | X | | | |
| 7 | 800-0207 | Cooling Distributor Assembly | | | | | | | X | X | X |
| 8 | 5060-070 | Evaporator Coil | X | X | X | X | X | X | | | |
| 8 | 5060-071 | Evaporator Coil | | | | | | | X | X | X |
| 9 | 7004-016 | Air Filter 1" Throw-Away | X | X | X | X | X | X | X | X | X |
| 9 | 7003-030 | Air Filter 1" Washable | X | X | X | X | X | X | X | X | X |
| 9 | 7004-027 | Air Filter 2" Pleated | X | X | X | X | X | X | X | X | X |
| 10 | 1171-022 | 1/4" Turn Fastener | X | X | X | X | X | X | X | X | X |
| 11 | 1171-024 | 1/4" Turn Retainer | X | X | X | X | X | X | X | X | X |
| 12 | 1171-023 | 1/4" Receptacle | X | X | X | X | X | X | X | X | X |
| 13 | 5650-021 | Reversing Valve | X | X | X | | | | | | |
| 13 | 5650-024 | Reversing Valve | | | | X | X | X | | | |
| 13 | 5650-025 | Reversing Valve | | | | | | | X | X | X |
| 14 | 5650-022 | Reversing Valve Solenoid | X | X | X | X | X | X | X | X | X |
| 15 | 5202-011 | Accumulator | X | X | X | | | | | | |
| 16 | 8408-027 | Defrost Sensor | X | X | X | X | X | X | X | X | X |
| 17 | 5651-102 | Expansion Valve | | | | X | X | X | | | |
| 17 | 5651-103 | Expansion Valve | | | | | | | X | X | X |
| 18 | 8406-055 | High Pressure Switch (Solder) | X | X | X | X | X | X | X | X | X |
| 19 | 800-0210 | Heating Distributor Assembly | | | | X | X | X | | | |
| 19 | 800-0211 | Heating Distributor Assembly | | | | | | | X | X | X |
| 19 | 800-0208 | Heating Capillary Assembly | X | X | X | | | | | | |
| NS | 8406-061 | Low Pressure Switch (Solder) (Optional) | X | X | X | X | X | X | X | X | X |
| NS | 8406-062 | Low Ambient Control (Solder) (Optional) | X | X | X | X | X | X | X | X | X |
| NS | 1804-0106 | High Pressure Switch (Flare) (Optional) | X | X | X | X | X | X | X | X | X |
| NS | 1804-0107 | Low Pressure Switch (Flare) (Optional) | X | X | X | X | X | X | X | X | X |
| NS | 1804-0108 | Low Ambient Control (Flare) (Optional) | X | X | X | X | X | X | X | X | X |

NS = Not Shown

CONTROL PANEL



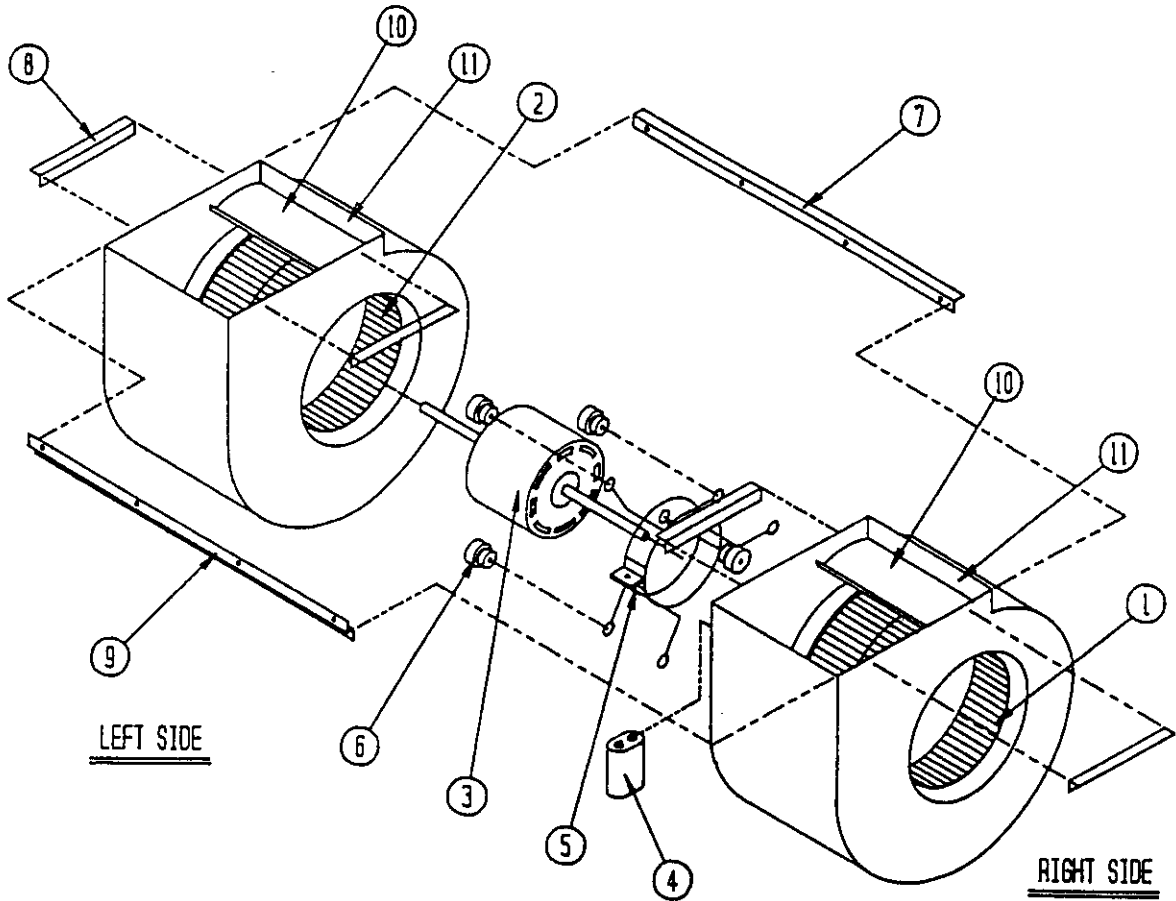
Date: 11-11-93
Supersedes:

CONTROL PANEL

| Dwg. No. | Part No. | Description | W | W | W | W | W | W | W | W | W | W |
|----------|----------|--------------------------------------|---|---|---|---|---|---|---|---|---|---|
| | | | H | H | H | H | H | H | H | H | H | H |
| | | | 4 | 4 | 4 | 4 | 4 | 4 | 4 | 4 | 6 | 6 |
| | | | 2 | 2 | 2 | 8 | 8 | 8 | 8 | 0 | 0 | 0 |
| | | | 1 | 1 | 1 | 2 | 2 | 2 | 2 | 2 | 2 | 2 |
| | | | - | - | - | - | - | - | - | - | - | - |
| | | | A | B | C | A | B | C | A | B | C | C |
| 1 | 8607-019 | Low Voltage Terminal Strip | X | X | X | X | X | X | X | X | X | X |
| 2 | 8607-013 | Terminal Block 2 Pole | X | | | X | | | X | | | |
| 2 | 8607-014 | Terminal Block 3 Pole | | X | X | | X | X | | X | | X |
| 2 | 8607-015 | Phelon Insulator | | | X | | | X | | | | X |
| 3 | 8201-056 | Blower Control | X | X | | X | X | | X | X | | |
| 3 | 8201-032 | Blower Relay | | | X | | | X | | | | X |
| 4 | 8407-035 | Transformer | X | X | | X | X | | X | X | | |
| 4 | 8407-042 | Transformer | | | X | | | X | | | | X |
| 5 | 8401-007 | Compressor Contactor | X | | | | | | | | | |
| 5 | 8401-002 | Compressor Contactor | | X | X | | X | X | | | X | X |
| 5 | 8401-016 | Compressor Contactor | | | | X | | | X | | | |
| 6 | 8552-005 | Outdoor Motor Capacitor | | X | | | X | | | | X | |
| 6 | 8552-055 | Compressor Capacitor | X | | | | | | | | | |
| 6 | 8552-058 | Compressor Capacitor | | | | | | | X | | | |
| 6 | 8552-026 | Outdoor Motor Capacitor | | | X | | | X | | | | X |
| 6 | 8552-059 | Compressor Capacitor | | | | X | | | | | | |
| 7 | 135-130 | Wire Shield | X | X | X | X | X | X | X | X | X | X |
| 8 | 8611-006 | Ground Terminal | X | X | X | X | X | X | X | X | X | X |
| 9 | 3000-977 | 6 Pin Connector | X | X | X | X | X | X | X | X | X | X |
| 10 | 8201-008 | Low Ambient Bypass Relay (Optional) | X | X | X | X | X | X | X | X | X | X |
| 11 | 8201-065 | Low Pressure Bypass (TDR) (Optional) | X | X | X | X | X | X | X | X | X | X |
| 12 | 8201-069 | Heat Pump Control Board | X | X | X | X | X | X | X | X | X | X |
| 13 | 117-143 | Control Panel | X | X | X | X | X | X | X | X | X | X |
| 14 | 8551-005 | Start Device | X | | | | | | | | | |
| 15 | 8201-032 | Outdoor Fan Relay | | | X | | | X | | | | X |
| 16 | 117-139 | Low Voltage Box | X | X | X | X | X | X | X | X | X | X |
| | 4096-110 | Wiring Diagram | X | | | X | | | | | | |
| | 4096-210 | Wiring Diagram | | X | | | X | | | | | |
| | 4096-310 | Wiring Diagram | | | X | | | X | | | | |
| | 4096-113 | Wiring Diagram | | | | | | | X | | | |
| | 4096-213 | Wiring Diagram | | | | | | | | X | | |
| | 4096-313 | Wiring Diagram | | | | | | | | | | X |

Date: 3-01-94
Supersedes: 11-11-93

BLOWER ASSEMBLY



BLOWER ASSEMBLY

| Dwg. No. | Part No. | Description | 9 | 9 | 9 | 9 |
|----------|----------|------------------------|---|---|---|---|
| | | | 0 | 0 | 0 | 0 |
| | | | 0 | 0 | 0 | 0 |
| | | | 1 | 1 | 1 | 1 |
| | | | 8 | 8 | 8 | 8 |
| | | | 3 | 4 | 5 | 6 |
| 1 | 5152-011 | 10 Inch Wheel (CW) | | | X | X |
| 1 | 5152-057 | 9 Inch Wheel (CW) | X | X | | |
| 2 | 5152-012 | 10 Inch Wheel (CCW) | | | X | X |
| 2 | 5152-058 | 9 Inch Wheel (CCW) | X | X | | |
| 3 | 8106-030 | Blower Motor (230/208) | X | | X | |
| 3 | 8106-025 | Blower Motor (460) | | X | | X |
| 4 | 8552-005 | Capacitor | X | X | X | X |
| 5 | 8200-040 | Motor Mount | X | X | X | X |
| 6 | 5451-011 | Grommets | 6 | 6 | 6 | 6 |
| 7 | 105-880 | Back Brace | X | X | X | X |
| 8 | 105-881 | Side Angle | 4 | 4 | 4 | 4 |
| 9 | 103-389 | Front Brace | X | X | X | X |
| 10 | 151-101 | Housing | 2 | 2 | 2 | 2 |
| 11 | 144-166 | Diffuser | 2 | 2 | 2 | 2 |

Date: 11-11-93
Supersedes: