
Replacement Parts Manual

QTec Series Packaged Heat Pump

Models:

QH241D QH301D
QH361D QH421D
QH481D

General Notes

- Revised and/or additional pages may be issued from time to time.
- A complete and current manual consists of pages shown in the following contents section.

Contents

| Description | Page |
|-------------------------------------|------|
| Cabinet Components | |
| ♦ Exploded View | 1 |
| ♦ Usage List | 2 |
| ♦ Usage List | 3 |
| ♦ Blank Page | 4 |
| Functional Components | |
| ♦ Exploded View | 5 |
| ♦ Usage List | 6 |
| ♦ Usage List | 7 |
| ♦ Usage List | 8 |
| Control Panel Components | |
| ♦ Exploded View | 9 |
| ♦ Usage List | 10 |
| Blower Assembly Components | |
| ♦ Exploded View | 11 |
| ♦ Usage List | 11 |
| Optional Climate Control Components | |
| ♦ Exploded View | 12 |
| ♦ Usage List | 12 |
| Optional Heater Components | |
| ♦ Exploded View | 13 |
| ♦ Usage List | 14 |
| ♦ Usage List | 15 |
| ♦ Usage List | 16 |
| Wall Sleeve Cabinet Components | |
| ♦ Exploded View | 17 |
| ♦ Usage List | 18 |

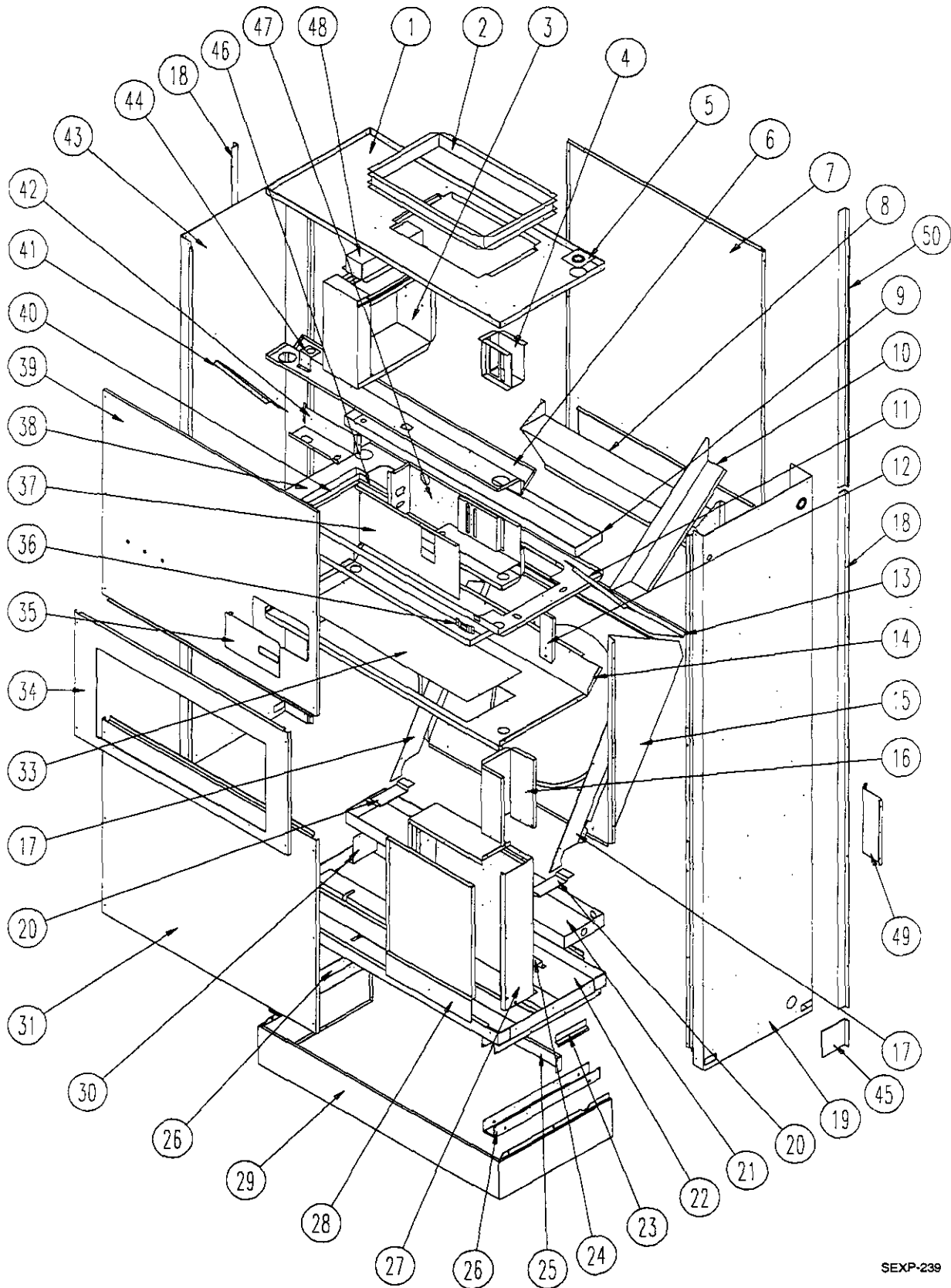


BARD MANUFACTURING COMPANY
Bryan, Ohio 43506

Since 1914...Moving ahead, just as planned.

Manual: 2110-522C
Supersedes: Rev. 2110-522B
File: Vol II Tab 14
Date: 05-03-99

CABINET COMPONENTS



SEXP-239

This Exploded View references Tables on pages 3 and 4.

CABINET COMPONENTS

| Drawing No. | Part No. | Description | QH241DA, DB | QH241DC | QH301DA, DB | QH301DC | QH361DA, DB | QH361DC | QH421DA, DB | QH421DC |
|-------------|---------------|-------------------------------------|-------------|---------|-------------|---------|-------------|---------|-------------|---------|
| | | | | | | | | | | |
| 1 | S506-187 | Top Assembly | X | X | X | X | X | X | X | X |
| 2 | 110-044 | Outlet Duct Flange | 2 | 2 | 2 | 2 | 2 | 2 | 2 | 2 |
| 3 | See Page 13 | Heater Package Assembly (Optional) | X | X | X | X | X | X | X | X |
| 4 | 117-187 | Low Voltage Box Assembly (Optional) | X | X | X | X | X | X | X | X |
| 5 | 136-359 | T. K. O. Plate | X | X | X | X | X | X | X | X |
| 6 | 534-153 | Evaporator Coil Shield Assembly | X | X | X | X | X | X | X | X |
| 7 | 508-133 | Back Assembly | X | X | X | X | X | X | X | X |
| 8 | 538-106 | Fresh Air Damper Assembly | X | X | X | X | X | X | X | X |
| 9 | 523-093 | Evaporator Drain Pan Assembly | X | X | X | X | X | X | X | X |
| 10 | 134-154 | Wire Channel | X | X | X | X | X | X | X | X |
| 11 | 140X226 | Right Evaporator Support | X | X | X | X | X | X | X | X |
| 12 | 112-227 | Filter Sensor Bracket | X | X | X | X | X | X | X | X |
| 13 | 142-055 | Condenser Coil Fill | X | X | X | X | X | X | X | X |
| 14 | 520-304 | Condenser Partition Assembly | X | X | X | X | X | X | X | X |
| 15 | 124-031 | Fan Shroud Left Side | X | X | X | X | X | X | X | X |
| 15 | 124-032 | Fan Shroud Back | X | X | X | X | X | X | X | X |
| 15 | 124-033 | Fan Shroud Right Side | X | X | X | X | X | X | X | X |
| 16 | 140-228 | Wire Channel | X | X | X | X | X | X | X | X |
| 17 | 140-229 | Condenser Coil Support | 2 | 2 | 2 | 2 | 2 | 2 | 2 | 2 |
| 18 | 134-177-* (1) | Side Trim | 2 | 2 | 2 | 2 | 2 | 2 | 2 | 2 |
| 19 | 500-329-* (1) | Right Side Assembly | X | X | X | X | X | X | X | X |
| 20 | 140-227 | Subcooling Loop Hold Down | 3 | 3 | 3 | 3 | 3 | 3 | 3 | 3 |
| 21 | 123-094 | Condenser Drain Pan Assembly | X | X | X | X | X | X | X | X |
| 22 | 527-268 | Lower Base Assembly | X | X | X | X | X | X | X | X |
| 23 | 102-415 | Pile Seal Offset | X | X | X | X | X | X | X | X |
| 24 | 112-226 | Water Sensor Bracket | X | X | X | X | X | X | X | X |
| 25 | 134-152 | Base Shield | X | X | X | X | X | X | X | X |
| 26 | 140-225 | Lower Roller Support | 2 | 2 | 2 | 2 | 2 | 2 | 2 | 2 |
| 27 | See Page 7 | Control Panel Components | X | X | X | X | X | X | X | X |
| 28 | 132-142 | Control Panel Door | X | | X | | X | | X | |
| 28 | 132-149 | Control Panel Door | | X | | X | | X | | X |
| 29 | 534-155-* (1) | Base Trim Assembly | X | X | X | X | X | X | X | X |
| 30 | 140-230 | Drain Pan Support | X | X | X | X | X | X | X | X |
| 31 | 552-313-* (1) | Condenser Door Assembly | X | X | X | X | X | X | X | X |
| 33 | 536-351 | Condenser Blank Off Plate | X | X | X | X | X | X | X | X |
| 34 | 552-312-* (1) | Filter Door Assembly | X | X | X | X | X | X | X | X |
| 35 | 152-265-* (1) | Circuit Breaker Door | X | X | X | X | X | X | X | X |
| 36 | 112-228 | Door Switch Bracket | X | X | X | X | X | X | X | X |
| 37 | 132-144 | Pull Disconnect Door Inner | | X | | X | | X | | X |
| 37 | 132-143 | Circuit Breaker Door Inner | X | | X | | X | | X | |
| 38 | 130-117 | Filter Tray | X | X | X | X | X | X | X | X |
| 39 | See Page 11 | Blower Door Assembly | X | X | X | X | X | X | X | X |
| 40 | 130-118 | Filter Frame | X | X | X | X | X | X | X | X |
| 41 | 140Y226 | Left Evaporator Support | X | X | X | X | X | X | X | X |
| 42 | 117-203 | Relay Control Panel | X | X | X | X | X | X | X | X |
| 43 | 500-330-* (1) | Left Side Assembly | X | X | X | X | X | X | X | X |
| 44 | 113-142 | Expansion Valve Mounting Plate | X | X | X | X | X | X | X | X |
| 45 | 134-165-* (1) | Base Trim Extension | 2 | 2 | 2 | 2 | 2 | 2 | 2 | 2 |
| 46 | 104-981 | Filter Frame Back | X | X | X | X | X | X | X | X |
| 47 | See Page 13 | Pull Disconnect Assembly | | X | | X | | X | | X |
| 47 | See Page 13 | Circuit Breaker Box Assembly | X | | X | | X | | X | |
| 48 | 112-229 | Heatstrip Bracket | X | X | X | X | X | X | X | X |
| 49 | 112-234 | Mounting Bracket | 2 | 2 | 2 | 2 | 2 | 2 | 2 | 2 |
| 50 | 134-178-* (1) | Trim | 2 | 2 | 2 | 2 | 2 | 2 | 2 | 2 |

(1) Exterior cabinet parts are manufactured with various color options. To insure that you receive the proper color, you must include the complete models and serial number of the unit for which parts are being ordered.

This Table references Exploded View on page 1

CABINET COMPONENTS

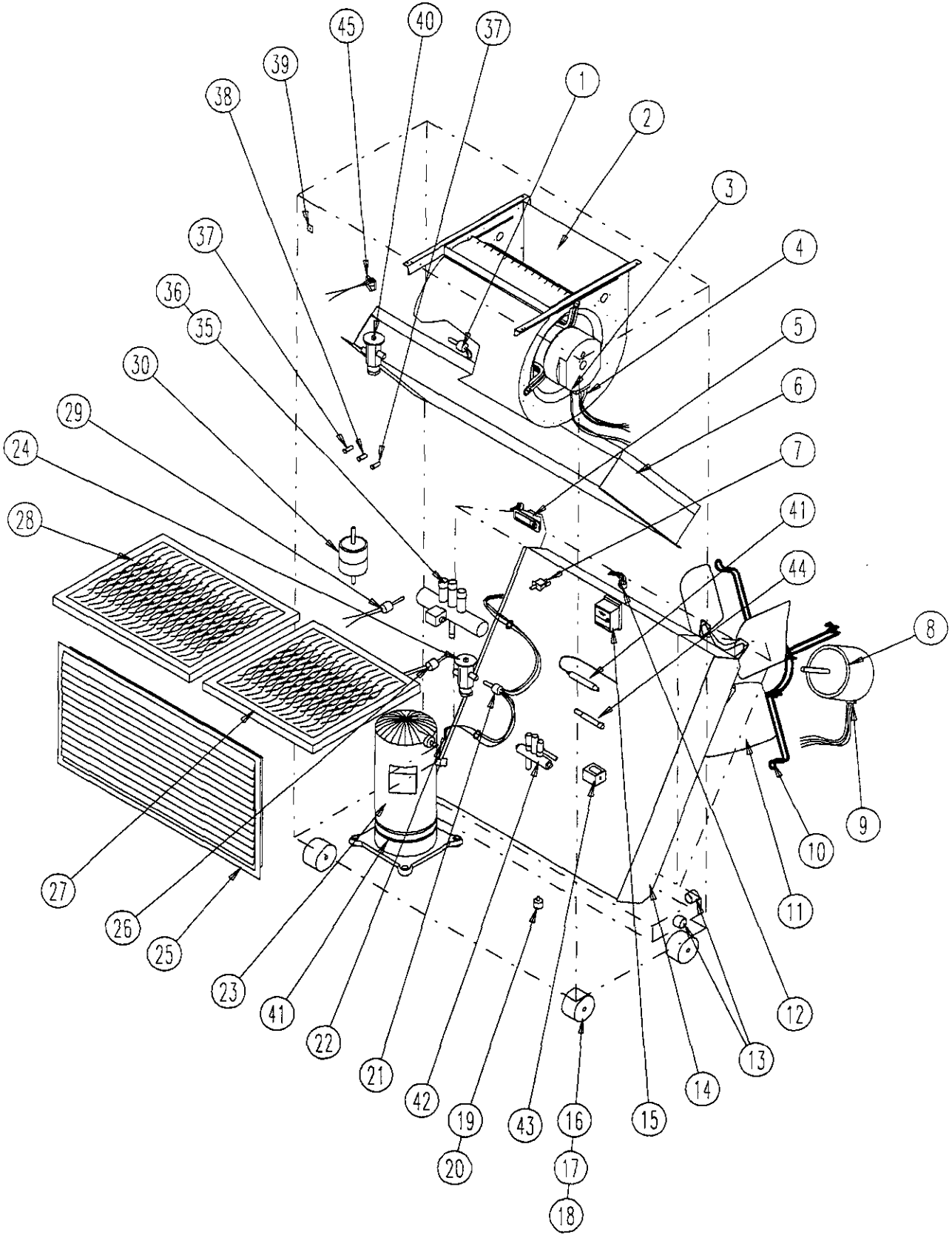
| Drawing No. | Part No. | Description | QH481DA, DB | QH481DA, DB |
|-------------|---------------|-------------------------------------|-------------|-------------|
| 1 | S506-214 | Top Assembly | X | X |
| 2 | 110-044 | Outlet Duct Flange | 2 | 2 |
| 3 | See Page 13 | Heater Package Assembly (Optional) | X | X |
| 4 | 117-187 | Low Voltage Box Assembly (Optional) | X | X |
| 5 | 136-359 | T. K. O. Plate | X | X |
| 6 | 534-173 | Evaporator Coil Shield Assembly | X | X |
| 7 | 508-149 | Back Assembly | X | X |
| 8 | 538-106 | Fresh Air Damper Assembly | X | X |
| 9 | 523-098 | Evaporator Drain Pan Assembly | X | X |
| 10 | 134-154 | Wire Channel | X | X |
| 11 | 140X226 | Right Evaporator Support | X | X |
| 12 | 112-227 | Filter Sensor Bracket | X | X |
| 13 | 142-066 | Condenser Coil Fill | X | X |
| 14 | 520-321 | Condenser Partition Assembly | X | X |
| 15 | 124-031 | Fan Shroud Left Side | X | X |
| 15 | 124-034 | Fan Shroud Back | X | X |
| 15 | 124-033 | Fan Shroud Right Side | X | X |
| 16 | 140-228 | Wire Channel | X | X |
| 17 | 140-229 | Condenser Coil Support | 2 | 2 |
| 18 | 134-177-* (1) | Side Trim | 2 | 2 |
| 19 | 500-329-* (1) | Right Side Assembly | X | X |
| 20 | 140-227 | Subcooling Loop Hold Down | 3 | 3 |
| 21 | 123-099 | Condenser Drain Pan Assembly | X | X |
| 22 | 527-294 | Lower Base Assembly | X | X |
| 23 | 102-415 | Pile Seal Offset – Right | X | X |
| 23 | 102-424 | Pile Seal Offset – Left | X | X |
| 24 | 112-226 | Water Sensor Bracket | X | X |
| 25 | 134-172 | Base Shield | X | X |
| 26 | 140-225 | Lower Roller Support | 2 | 2 |
| 27 | See Page 7 | Control Panel Components | X | X |
| 28 | 132-142 | Control Panel Door | X | |
| 28 | 132-149 | Control Panel Door | | X |
| 29 | 534-174-* (1) | Base Trim Assembly | X | X |
| 30 | 140-230 | Drain Pan Support | X | X |
| 31 | 552-307-* (1) | Condenser Door Assembly | X | X |
| 33 | 536-351 | Condenser Blank Off Plate | X | X |
| 34 | 552-306-* (1) | Filter Door Assembly | X | X |
| 35 | 152-265-* (1) | Circuit Breaker Door | X | X |
| 36 | 112-228 | Door Switch Bracket | X | X |
| 37 | 132-144 | Pull Disconnect Door Inner | | X |
| 37 | 132-143 | Circuit Breaker Door Inner | X | |
| 38 | 130-126 | Filter Tray | X | X |
| 39 | See Page 11 | Blower Door Assembly | X | X |
| 40 | 130-127 | Filter Frame | X | X |
| 41 | 140Y226 | Left Evaporator Support | X | X |
| 42 | 117-203 | Relay Control Panel | X | X |
| 43 | 500-355-* (1) | Left Side Assembly | X | X |
| 44 | 113-142 | Expansion Valve Mounting Plate | X | X |
| 45 | 134-165-* (1) | Base Trim Extension | 2 | 2 |
| 46 | 104-1029 | Filter Frame Back | X | X |
| 47 | See Page 13 | Pull Disconnect Assembly | | X |
| 47 | See Page 13 | Circuit Breaker Box Assembly | X | |
| 48 | 112-229 | Heatstrip Bracket | X | X |
| 49 | 112-234 | Mounting Bracket | 2 | 2 |
| 50 | 134-178 | Trim | 2 | 2 |

(1) Exterior cabinet parts are manufactured with various color options. To insure that you receive the proper color, you must include the complete models and serial number of the unit for which parts are being ordered.

This Table references Exploded View on page 1

This page has been left blank intentionally.

FUNCTIONAL COMPONENTS



SEXP-275

This Exploded View references Tables on pages 6, 7 and 8

FUNCTIONAL COMPONENTS

| Drawing No. | Part No. | Description | QH241DA | QH241DB | QH241DC | QH301DA | QH301DB | QH301DC | QH361DA | QH361DB | QH361DC | QH421DA | QH421DB | QH421DC |
|----------------------------|-------------|-------------------------------|---------|---------|---------|---------|---------|---------|---------|---------|---------|---------|---------|---------|
| 1 | 800-0247 | Distributor Cooling | X | X | X | X | X | X | X | X | X | X | X | X |
| 1 | 800-0248 | Distributor Cooling | X | X | X | X | X | X | X | X | X | X | X | X |
| 2 | 900-225-001 | Blower Assembly | X | X | X | | | | | | | | | |
| 2 | 900-225-002 | Blower Assembly | | | | X | X | X | | | | | | |
| 2 | 900-225-004 | Blower Assembly | | | | | | | X | X | X | X | X | X |
| 3 | 3000-1045 | Wire Harness High Voltage | | | X | | | X | | | X | | | X |
| 3 | 3000-1046 | Wire Harness High Voltage | X | X | | X | X | | X | X | | X | X | |
| 4 | 3000-1042 | Wire Harness Low Voltage | X | X | X | X | X | X | X | X | X | X | X | X |
| 5 | 1171-036 | Keylatch/Circuit Breaker Door | X | X | X | X | X | X | X | X | | | | |
| 6 | 917-0039 | Evaporator and Reheat Coil | X | X | X | X | X | X | | | | | | |
| 6 | 917-0040 | Evaporator and Reheat Coil | | | | | | | X | X | X | X | X | X |
| 7 | 8406-085 | Door Switch | X | X | X | X | X | X | X | X | X | X | X | X |
| 8 | 8103-021 | Motor | X | X | X | X | X | X | X | X | X | X | X | X |
| 9 | 3000-1049 | Wire Harness | X | X | X | X | X | X | X | X | X | X | X | X |
| 10 | 8200-001 | Motor Mount | X | X | X | X | X | X | X | X | X | X | X | X |
| 11 | 5151-050 | Fan Blade | X | X | X | X | X | X | X | X | X | X | X | X |
| 12 | 3000-1047 | Wire Harness P3 | X | X | X | X | X | X | X | X | X | X | X | X |
| 13 | 6094-003 | Drain Fitting | 2 | 2 | 2 | 2 | 2 | 2 | 2 | 2 | 2 | 2 | 2 | 2 |
| 14 | 5051-095 | Condenser Coil | X | X | X | X | X | X | | | | | | |
| 14 | 5051-096 | Condenser Coil | | | | | | | X | X | X | X | X | X |
| 15 | 8301-011 | Dirty Filter Switch | X | X | X | X | X | X | X | X | X | X | X | X |
| 16 | 1171-035 | Wheel | 4 | 4 | 4 | 4 | 4 | 4 | 4 | 4 | 4 | 4 | 4 | 4 |
| 17 | 1012-129 | Bolt - Shoulder | 4 | 4 | 4 | 4 | 4 | 4 | 4 | 4 | 4 | 4 | 4 | 4 |
| 18 | 1012-224 | Nut - Locking | 4 | 4 | 4 | 4 | 4 | 4 | 4 | 4 | 4 | 4 | 4 | 4 |
| 19 | 8406-083 | Water Level Switch | X | X | X | X | X | X | X | X | X | X | X | X |
| 20 | 1012-316 | Nut - Water Level Switch | X | X | X | X | X | X | X | X | X | X | X | X |
| 21 | 800-0249 | Distributor - Heating | X | X | X | X | X | X | | | | | | |
| 21 | 800-0250 | Distributor - Heating | | | | | | | X | X | X | X | X | X |
| 22 | 910-1257 | Defrost Sensor | X | X | X | X | X | X | X | X | X | X | X | X |
| 23 | 8000-171 | Compressor | X | | | | | | | | | | | |
| 23 | 8000-201 | Compressor | | X | | | | | | | | | | |
| 23 | 8000-202 | Compressor | | | X | | | | | | | | | |
| 23 | 8000-172 | Compressor | | | | X | | | | | | | | |
| 23 | 8000-203 | Compressor | | | | | X | | | | | | | |
| 23 | 8000-204 | Compressor | | | | | | X | | | | | | |
| 23 | 8000-175 | Compressor | | | | | | | X | | | | | |
| 23 | 8000-163 | Compressor | | | | | | | | X | | | | |
| 23 | 8000-164 | Compressor | | | | | | | | | X | | | |
| 23 | 8000-177 | Compressor | | | | | | | | | | X | | |
| 23 | 8000-205 | Compressor | | | | | | | | | | | X | |
| 23 | 8000-206 | Compressor | | | | | | | | | | | | X |
| 24 | 5651-137 | TXV Heating | X | X | X | | | | | | | | | |
| 24 | 5651-138 | TXV Heating | | | | X | X | X | | | | | | |
| 24 | 5651-102 | TXV Heating | | | | | | | X | X | X | X | X | X |
| 25 | 7051-034 | Return Air Grille | X | X | X | X | X | X | X | X | X | X | X | X |
| 26 | 8406-055 | High Pressure Control | X | X | X | X | X | X | X | X | X | X | X | X |
| 27 | 7004-009 | Air Filter | X | X | X | X | X | X | X | X | X | X | X | X |
| 27 | 7004-032 | Filter 2" Fiberglass (Opt) | X | X | X | X | X | X | X | X | X | X | X | X |
| 27 | 7004-034 | Filter 2" Pleated (Opt) | X | X | X | X | X | X | X | X | X | X | X | X |
| 28 | 7004-010 | Air Filter | X | X | X | X | X | X | X | X | X | X | X | X |
| 28 | 7004-033 | Filter 2" Fiberglass (Opt) | X | X | X | X | X | X | X | X | X | X | X | X |
| 28 | 7004-035 | Filter 2" Pleated (Opt) | X | X | X | X | X | X | X | X | X | X | X | X |
| <i>Continued on Page 6</i> | | | | | | | | | | | | | | |

This Table references Exploded View on Page 5

FUNCTIONAL COMPONENTS

| Drawing No. | Part No. | Description | QH241DA | QH241DB | QH241DC | QH301DA | QH301DB | QH301DC | QH361DA | QH361DB | QH361DC | QH421DA | QH421DB | QH421DC |
|------------------------------|-----------|--------------------------------|---------|---------|---------|---------|---------|---------|---------|---------|---------|---------|---------|---------|
| <i>Continued from Page 5</i> | | | | | | | | | | | | | | |
| 29 | 8406-061 | Low Pressure Control | X | X | X | X | X | X | X | X | X | X | X | X |
| 30 | 5201-009 | Filter/Drier | X | X | X | X | X | X | X | X | X | X | X | X |
| 31 | 1171-038 | Cupped Washer Black | 4 | 4 | 4 | 4 | 4 | 4 | 4 | 4 | 4 | 4 | 4 | 4 |
| 35 | 5650-020 | Reversing Valve | X | X | X | | | | | | | | | |
| 35 | 5650-021 | Reversing Valve | | | | X | X | X | | | | | | |
| 35 | 5650-025 | Reversing Valve | | | | | | | X | X | X | X | X | X |
| 36 | 5650-022 | Solenoid Coil | X | X | X | X | X | X | X | X | X | X | X | X |
| 37 | 8611-094 | Indicator Light - Red | 2 | 2 | 2 | 2 | 2 | 2 | 2 | 2 | 2 | 2 | 2 | 2 |
| 38 | 8611-095 | Indicator Light - Yellow | X | X | X | X | X | X | X | X | X | X | X | X |
| 39 | 1012-315 | "U" Clip Fastener | 16 | 16 | 16 | 16 | 16 | 16 | 16 | 16 | 16 | 16 | 16 | 16 |
| 40 | 5651-137 | TXV Cooling | X | X | X | | | | | | | | | |
| 40 | 5651-138 | TXV Cooling | | | | X | X | X | | | | | | |
| 40 | 5651-102 | TXV Cooling | | | | | | | X | X | X | X | X | X |
| 41 | 800-0268 | Drain Capillary Assembly | X | X | X | X | X | X | X | X | X | X | X | X |
| 42 | 5650-026 | Three Way Valve | X | X | X | X | X | X | X | X | X | X | X | X |
| 43 | 5650-027 | Solenoid Coil | X | X | X | X | X | X | X | X | X | X | X | X |
| 44 | 5651-146 | Check Valve | X | X | X | X | X | X | X | X | X | X | X | X |
| 45 | 8408-038 | Freeze Thermostat | X | X | X | X | X | X | X | X | X | X | X | X |
| NS | 1804-0108 | Low Ambient Control (Optional) | X | X | X | X | X | X | X | X | X | X | X | X |
| NS | 4100-104 | Wiring Diagram Basic Unit | X | | | X | | | X | | | X | | |
| NS | 4100-204 | Wiring Diagram Basic Unit | | X | | | X | | | X | | | X | |
| NS | 4100-304 | Wiring Diagram Basic Unit | | | X | | | X | | | X | | | X |

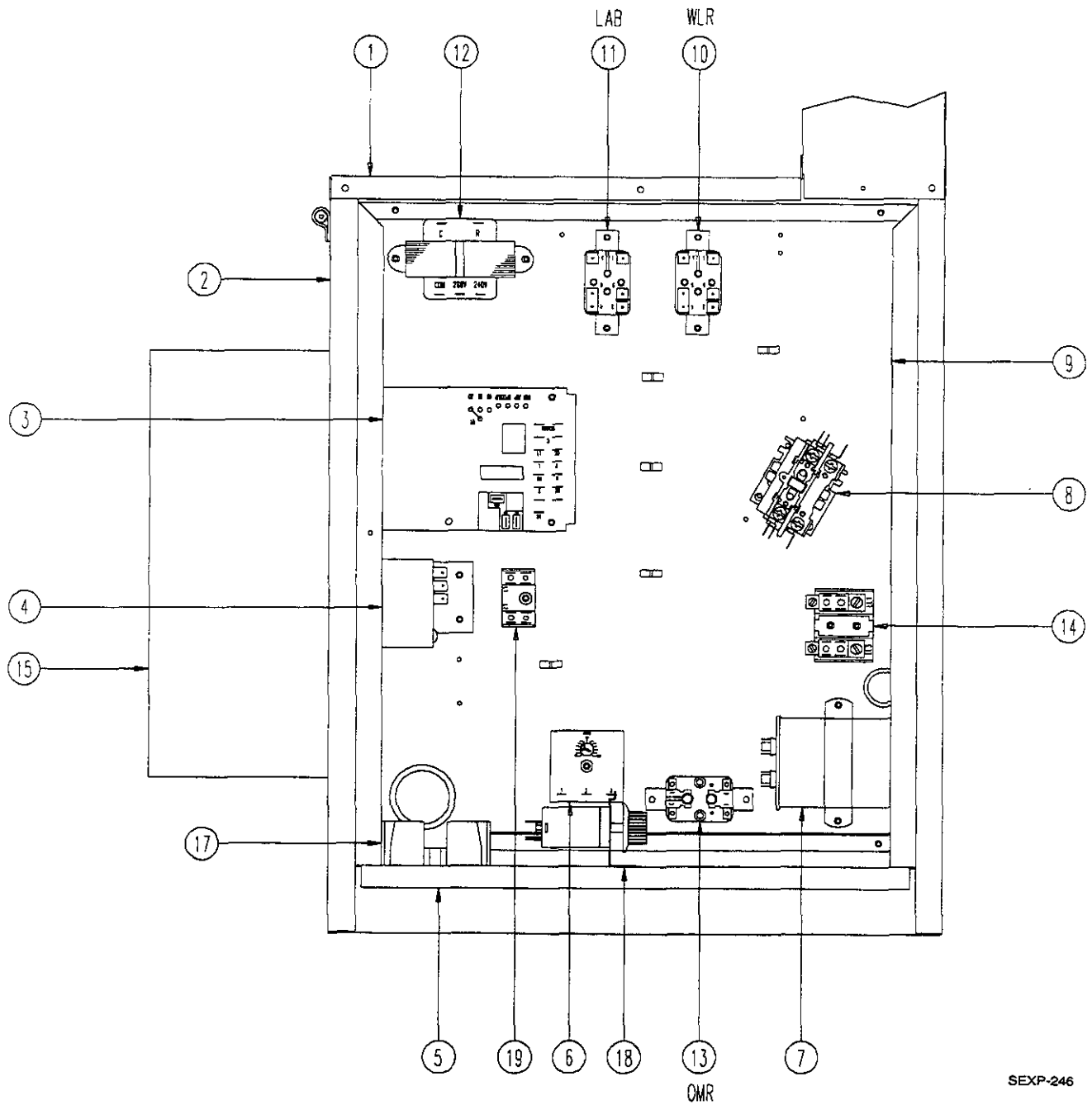
This Table references Exploded View on Page 5

FUNCTIONAL COMPONENTS

| Drawing No. | Part No. | Description | QH481DA | QH481DB | QH481DC |
|----------------|-------------|--------------------------------|---------|---------|---------|
| 1 | 800-0266 | Distributor Cooling | X | X | X |
| 2 | 900-225-005 | Blower Assembly | X | X | X |
| 3 | 3000-1045 | Wire Harness High Voltage | | | X |
| 3 | 3000-1046 | Wire Harness High Voltage | X | X | |
| 4 | 3000-1042 | Wire Harness Low Voltage | X | X | X |
| 5 | 1171-036 | Keylatch/Circuit Breaker Door | X | X | X |
| 6 | 917-0041 | Evaporator and Reheat Coil | X | X | X |
| 7 | 8406-085 | Door Switch | X | X | X |
| 8 | 8103-021 | Motor | X | X | X |
| 9 | 3000-1049 | Wire Harness | X | X | X |
| 10 | 8200-001 | Motor Mount | X | X | X |
| 11 | 5151-050 | Fan Blade | X | X | X |
| 12 | 3000-1047 | Wire Harness P3 | X | X | X |
| 13 | 6094-003 | Drain Fitting | 2 | 2 | 2 |
| 14 | 5051-104 | Condenser Coil | X | X | X |
| 15 | 8301-011 | Dirty Filter Switch | X | X | X |
| 16 | 1171-035 | Wheel | 4 | 4 | 4 |
| 17 | 1012-129 | Bolt - Shoulder | 4 | 4 | 4 |
| 18 | 1012-224 | Nut - Locking | 4 | 4 | 4 |
| 19 | 8406-083 | Water Level Switch | X | X | X |
| 20 | 1012-316 | Nut - Water Level Switch | X | X | X |
| 21 | 800-0267 | Distributor - Heating | X | X | X |
| 22 | 910-1257 | Defrost Sensor | X | X | X |
| 23 | 8000-218 | Compressor | X | | |
| 23 | 8000-221 | Compressor | | X | |
| 23 | 8000-222 | Compressor | | | X |
| 24 | 5651-103 | TXV Heating | X | X | X |
| 25 | 7051-039 | Return Air Grille | X | X | X |
| 26 | 8406-055 | High Pressure Control | X | X | X |
| 27 | 7004-009 | Air Filter | X | X | X |
| 27 | 7004-032 | Filter 2" Fiberglass (Opt) | X | X | X |
| 27 | 7004-034 | Filter 2" Pleated (Opt) | X | X | X |
| 28 | 7004-011 | Air Filter | X | X | X |
| 28 | 7004-036 | Filter 2" Fiberglass (Opt) | X | X | X |
| 28 | 7004-037 | Filter 2" Pleated (Opt) | X | X | X |
| 29 | 8406-061 | Low Pressure Control | X | X | X |
| 30 | 5201-009 | Filter/Drier | X | X | X |
| 31 | 1171-038 | Cupped Washer Black | 4 | 4 | 4 |
| 35 | 5650-025 | Reversing Valve | X | X | X |
| 36 | 5650-022 | Solenoid Coil | X | X | X |
| 37 | 8611-094 | Indicator Light - Red | 2 | 2 | 2 |
| 38 | 8611-095 | Indicator Light - Yellow | X | X | X |
| 39 | 1012-315 | "U" Clip Fastener | 16 | 16 | 16 |
| 40 | 5651-103 | TXV Cooling | X | X | X |
| 41 | 800-0268 | Drain Capillary Assembly | X | X | X |
| 42 | 5650-026 | Three Way Valve | X | X | X |
| 43 | 5650-027 | Solenoid Coil | X | X | X |
| 44 | 5651-146 | Check Valve | X | X | X |
| 45 | 8408-038 | Freeze Thermostat | X | X | X |
| NS | 1804-0108 | Low Ambient Control (Optional) | X | X | X |
| NS | 4100-104 | Wiring Diagram Basic Unit | X | | |
| NS | 4100-204 | Wiring Diagram Basic Unit | | X | |
| NS | 4100-304 | Wiring Diagram Basic Unit | | | X |

This Table references Exploded View on Page 5

CONTROL PANEL COMPONENTS



SEXP-246

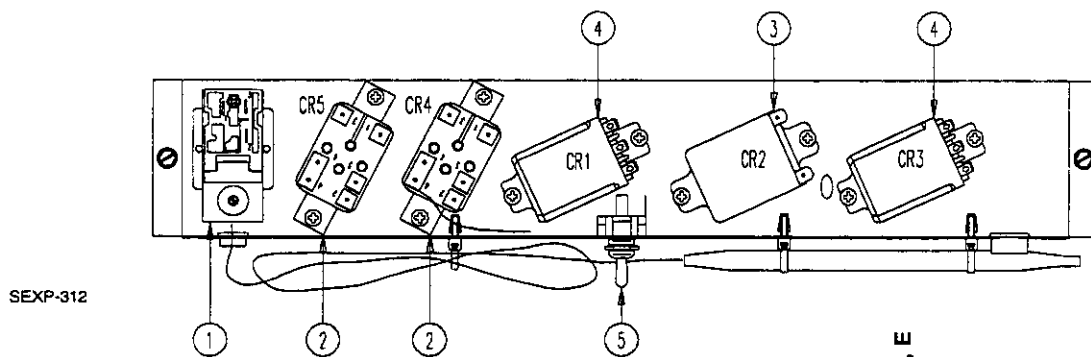
This Exploded View references Table on Page 10

CONTROL PANEL COMPONENTS

| Drawing No. | Part No. | Description | QH241DA | QH301DA | QH361DA | QH421DA | QH481DA | QH241DB | QH301DB | QH361DB | QH421DB | QH481DB | QH241DC | QH301DC | QH361DC | QH421DC | QH481DC |
|-------------|----------|-------------------------------|---------|---------|---------|---------|---------|---------|---------|---------|---------|---------|---------|---------|---------|---------|---------|
| | | | X | X | X | X | X | X | X | X | X | X | X | X | X | X | X |
| 1 | 116-186 | Control Panel Top | X | X | X | X | | X | | | | | | | | | X |
| 2 | 116-184 | Control Panel | X | X | X | X | | X | | | | | | | | | X |
| 3 | 8201-069 | Heat Pump Control | X | X | X | X | | X | | | | | | | | | X |
| 4 | 8408-034 | Condenser Motor Thermostat | X | X | X | X | | X | | | | | | | | | X |
| 5 | 126-266 | Control Panel Base | X | X | X | X | | X | | | | | | | | | X |
| 6 | 8210-078 | Low Pressure Bypass TDR | X | X | X | X | | X | | | | | | | | | X |
| 7 | 8552-002 | Capacitor | | | | | | X | | | | | | | | | X |
| 7 | 8552-050 | Capacitor | X | | | | | | | | | | | | | | |
| 7 | 8552-052 | Capacitor | | X | | | | | | | | | | | | | |
| 7 | 8552-063 | Capacitor | | | X | | | | | | | | | | | | |
| 7 | 8552-062 | Capacitor | | | | X | | | | | | | | | | | |
| 8 | 8401-007 | Contact | X | X | X | X | | | | | | | | | | | |
| 8 | 8401-002 | Contact | | | | | | X | | | | | | | | | X |
| 9 | 116-186 | Control Panel Mounting Plate | X | X | X | X | | X | | | | | | | | | X |
| 10 | 8201-062 | Relay WLR | X | X | X | X | | X | | | | | | | | | X |
| 11 | 8201-009 | Relay LAB | X | X | X | X | | X | | | | | | | | | X |
| 12 | 8407-048 | Transformer | X | X | X | X | | X | | | | | | | | | X |
| 13 | 8201-009 | Relay OMR | | | | | | | | | | | | | | | X |
| 14 | 8607-013 | Terminal Block | | | | | | | | | | | | | | | X |
| 15 | 8407-003 | Transformer Stepdown 1.5 KVA | | | | | | | | | | | | | | | X |
| 15 | 8407-004 | Transformer Stepdown 2.0 KVA | | | | | | | | | | | | | | | X* |
| 17 | 8614-041 | Fuse Holder | | | | | | | | | | | | | | | X |
| 18 | 8408-028 | Outdoor Thermostat (Optional) | X | X | X | X | | X | | | | | | | | | X |
| 19 | 8607-017 | Terminal Block | X | X | X | X | | X | | | | | | | | | X |
| NS | 8614-046 | Fuse Class CC 5A | | | | | | | | | | | | | | | 2 |
| NS | 8614-042 | Fuse Class CC 7A | | | | | | | | | | | | | | | 2* |

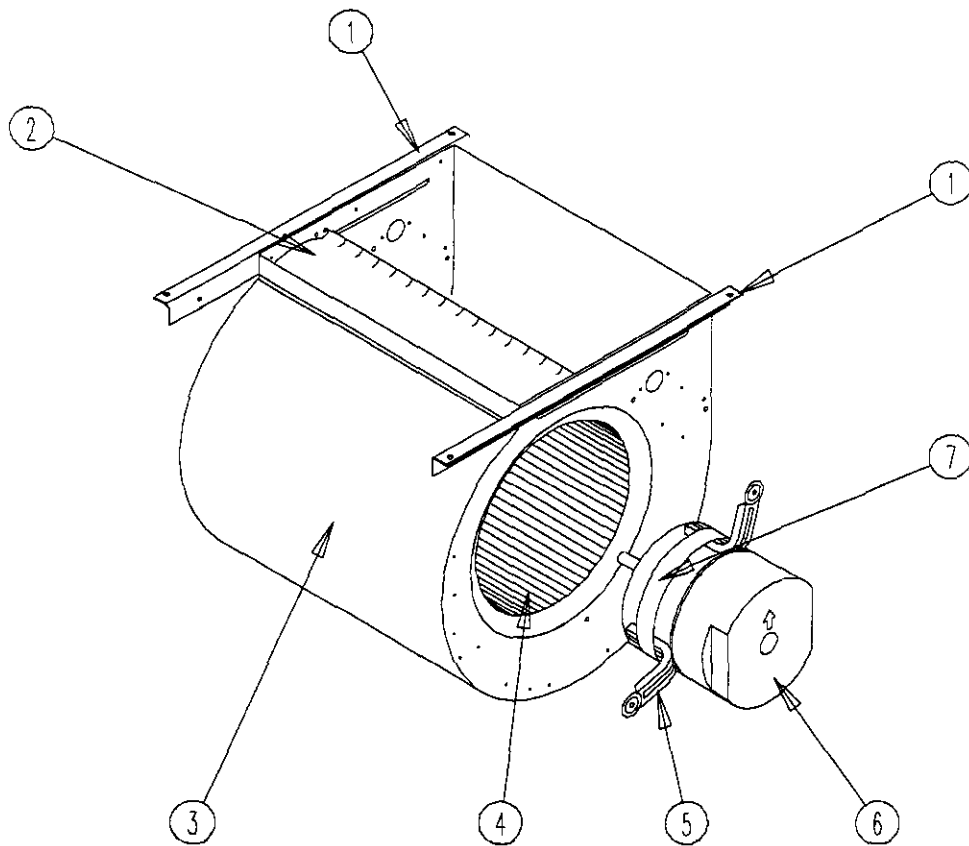
* 7 amp fuses are used with the 2 kVA transformer which is shipped as standard on any units employing an energy recovery ventilator.

This Table references Exploded View on Page 9



| Drawing No. | Part No. | Description | Options X, E | Option F |
|-------------|-----------|-----------------------|--------------|----------|
| 1 | 8408-037 | Return Air Thermostat | X | X |
| 2 | 8201-062 | Relay CR5, CR4 | 2 | 2 |
| 3 | 8201-048 | Relay CR2 | X | X |
| 4 | 8201-071 | Relay CR1, CR3 | 2 | 2 |
| 5 | 8406-020 | Toggle Switch | X | X |
| NS | 3000-1103 | Wire Harness P2 to P4 | X | |
| NS | 3000-1093 | Wire Harness P2 to P4 | | X |

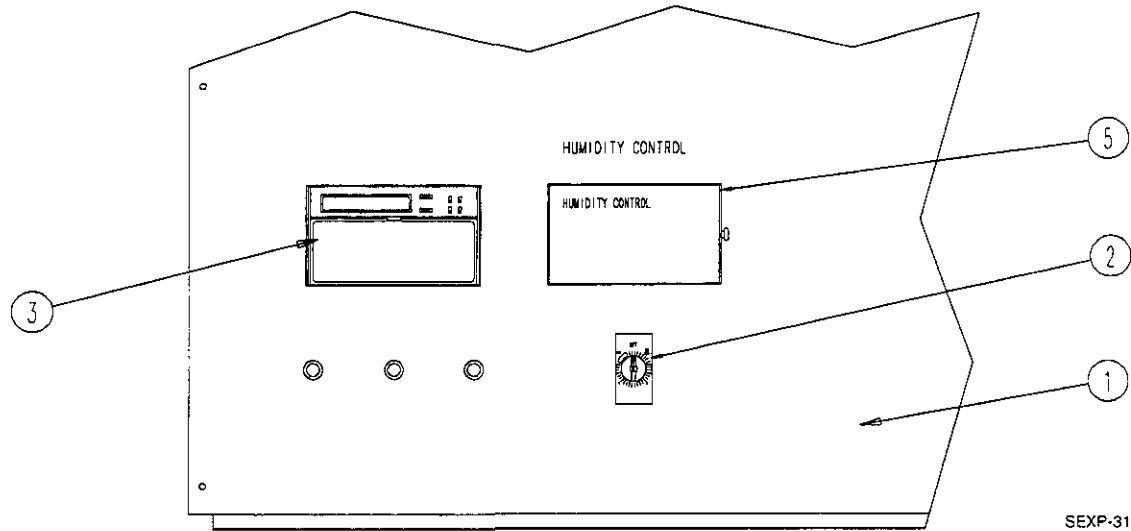
BLOWER ASSEMBLY COMPONENTS



Drawing

| No. | Part No. | Description | 900-225-001 | 900-225-002 | 900-225-004 | 900-225-005 |
|-----|----------------|------------------|-------------|-------------|-------------|-------------|
| 1 | 104-980 | Blower Angle | 2 | 2 | 2 | 2 |
| 2 | 144-131 | Diffuser | X | X | X | X |
| 3 | 151-110 | Blower Housing | X | X | X | X |
| 4 | 5152-061 | Blower Wheel | X | X | X | X |
| 5 | 8200-034 | Motor Mount Arm | 3 | 3 | 3 | 3 |
| 6 | 8106-035-0003 | Motor | X | | | |
| 6 | 8106-035-0004 | Motor | | X | | |
| 6 | 8106-035-0005A | Motor | | | X | |
| 6 | 8106-035-0006 | Motor | | | | X |
| 7 | 8200-033 | Motor Mount Band | X | X | X | X |

OPTIONAL CLIMATE CONTROLS



SEXP-313

OPTIONAL CLIMATE CONTROL REPLACEMENT PARTS –

See table below to determine which Climate Control Option is installed:

| Drawing No. | Part No. | Description | Option X | Option E | Option F |
|-------------|-----------|---|----------|----------|----------|
| 1 | 552-270-6 | Blower Door | X | | |
| 1 | 552-272-6 | Blower Door | | X | |
| 1 | 552-323-6 | Blower Door | | | X |
| 2 | 8612-015 | Timer | | | X |
| 3 | 8403-034 | Electronic/Programmable/Manual/Auto Change Over | | X | |
| 3 | 8403-042 | Thermostat Electronic | | | X |
| 5 | 8403-038 | Humidistat | | X | X |
| NS | 4102-007 | Wiring Diagram | X | | |
| NS | 4102-006 | Wiring Diagram | | X | |
| NS | 4102-011 | Wiring Diagram | | | X |
| NS | 3000-1051 | Wire Harness, Lights to P1 | X | X | X |
| NS | 3000-1075 | Wire Harness, Low Voltage Terminal Strip to P4 | X | | |
| NS | 3000-1054 | Wire Harness, Thermostat to P4 | | X | |
| NS | 3000-1094 | Wire Harness, Thermostat to P4 | | | X |
| NS | 8607-019 | Terminal Strip 14 Terminal | X | | |
| NS | 8607-021 | Terminal Strip 8 Terminal | X | | |

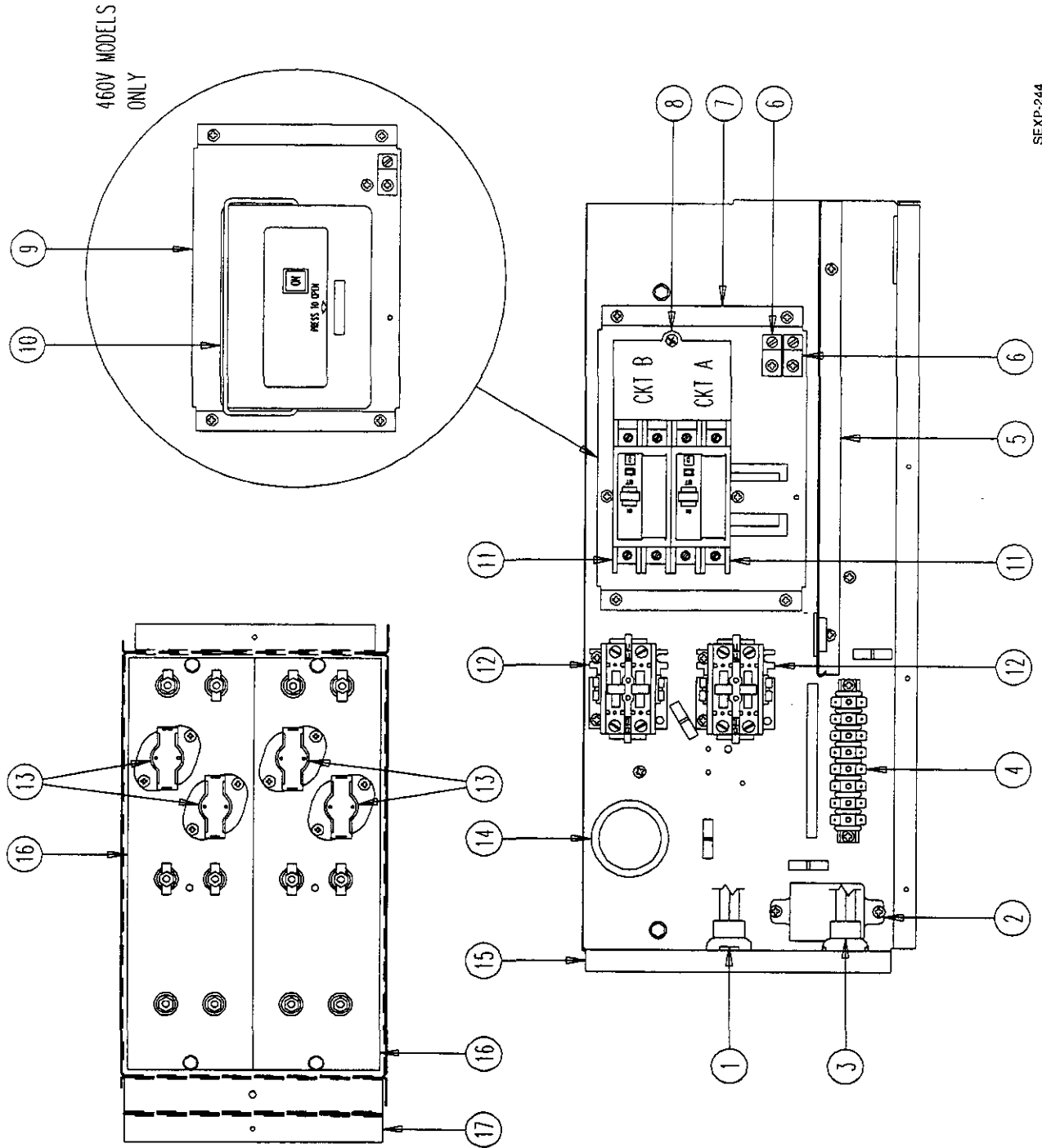
NS Not Shown

CLIMATE CONTROL OPTION NOMENCLATURE AS SHOWN IN UNIT MODEL NUMBER

QH 361 - A 09 X X X X X X

- X – None
- E – Electronic, programmable, manual/auto change over, with humidistat
- F – Electronic/Non-Programmable/ Manual Auto Changeover with humidistat and timer

OPTIONAL HEATER COMPONENTS



This Exploded View references Tables on pages 14, 15, and 16

OPTIONAL HEATER COMPONENTS

| Drawing No. | Part No. | Description | QH241DA02 | QH301DA02 | QH361DA02 | QH421DA02 | QH481DA02 | QH241DA05 | QH301DA05 | QH361DA05 | QH421DA05 | QH481DA05 | QH241DA10 | QH301DA10 | QH361DA10 | QH421DA10 | QH481DA10 | QH361DA15 | QH421DA15 | QH481DA15 |
|-------------|-----------|----------------------------------|-----------|-----------|-----------|-----------|-----------|-----------|-----------|-----------|-----------|-----------|-----------|-----------|-----------|-----------|-----------|-----------|-----------|-----------|
| 1 | 3000-1044 | Wire Set | X | | X | X | X | X | X | X | X | X | X | X | X | X | X | X | X | X |
| 2 | 8201-048 | Relay | | | X | | | | | X | | | X | | X | | X | X | | |
| 3 | 3000-1043 | Wire Set | X | | X | X | X | X | X | X | X | X | X | X | X | X | X | X | X | X |
| 4 | 8607-022 | Terminal Block | X | | X | X | X | X | X | X | X | X | X | X | X | X | X | X | X | X |
| 5 | 116-190 | Box Partition | X | | X | X | X | X | X | X | X | X | X | X | X | X | X | X | X | X |
| 6 | 8611-006 | Ground Lug | X | | X | X | X | X | X | X | X | X | X | X | X | X | X | X | X | X |
| 7 | 126-267 | Circuit Breaker Base | X | | X | X | X | X | X | X | X | X | X | X | X | X | X | X | X | X |
| 8 | 8615-047 | Jumper Bar Base | | | | | | | | | | | | | | | | | | |
| 11 | 8615-036 | Circuit Breaker 2 Pole 25A Ckt B | X | | | | | | | | | X | X | | | | | | | |
| 11 | 8615-037 | Circuit Breaker 2 Pole 30A Ckt A | | | | | | | | | | | X | | | | | X | | |
| 11 | 8615-055 | Circuit Breaker 2 Pole 40A Ckt A | | | | | | | | | | | | X | | | | | | |
| 11 | 8615-039 | Circuit Breaker 2 Pole 45A Ckt A | | | | | | | | | | | | | X | | | | | |
| 11 | 8615-040 | Circuit Breaker 2 Pole 50A Ckt A | | | | | | | | | | | | | | X | | | | |
| 11 | 8615-040 | Circuit Breaker 2 Pole 50A Ckt B | | | | | | | | | | | | | | | X | | | |
| 11 | 8615-041 | Circuit Breaker 2 Pole 60A Ckt A | | | | | | | | | | | | | | | | X | | |
| 12 | 8401-006 | Contact 2 Pole 20A | | | | | | | | | | | X | | | | X | | | |
| 13 | 8402-100 | Limits | | | | | | | | | | | 1 | 2 | 2 | 2 | 2 | 2 | 3 | 3 |
| 14 | 8611-026 | Snap Bushings 1-3/4 | X | | X | X | X | X | X | X | X | X | X | X | X | X | X | X | X | X |
| 15 | 116-189 | Heater Box | X | | X | X | X | X | X | X | X | X | X | X | X | X | X | X | X | X |
| 16 | 8604-103 | Heat Strip 5 KW | | | | | | | | | | | X | | | | X | X | X | X |
| 16 | 8604-104 | Heat Strip 10 KW | | | | | | | | | | | | X | | | X | X | X | X |
| 17 | 116-191 | Heat Strip Wrapper | X | | X | X | X | X | X | X | X | X | X | X | X | X | X | X | X | X |
| NS | 132-145 | Heat Strip Cover | X | | X | X | X | X | X | X | X | X | X | X | X | X | X | X | X | X |
| NS | 4101-100 | Wiring Diagram Heater Package | X | | X | X | X | X | X | X | X | X | X | X | X | X | X | X | X | X |
| NS | 4101-101 | Wiring Diagram Heater Package | | | | | | | | | | | | | | | | | | |
| NS | 4101-102 | Wiring Diagram Heater Package | | | | | | | | | | | | | | | | | | |
| NS | 4101-103 | Wiring Diagram Heater Package | | | | | | | | | | | | | | | | | | |
| NS | 4101-106 | Wiring Diagram Heater Package | | | | | | | | | | | | | | | | | | |
| NS | 4101-106 | Wiring Diagram Heater Package | | | | | | | | | | | | | | | | | | |

NS = Not Shown

This Table references Exploded View on Page 13

OPTIONAL HEATER COMPONENTS

| Drawing No. | Part No. | Description | QH241DB02 | QH301DB02 | QH361DB02 | QH421DB02 | QH481DB02 | QH241DB06 | QH301DB06 | QH361DB06 | QH421DB06 | QH481DB06 | QH241DB09 | QH301DB09 | QH361DB09 | QH421DB09 | QH481DB09 | QH301DB12 | QH361DB15 | QH421DB15 | QH481DB15 |
|-------------|-----------|-------------------------------|-----------|-----------|-----------|-----------|-----------|-----------|-----------|-----------|-----------|-----------|-----------|-----------|-----------|-----------|-----------|-----------|-----------|-----------|-----------|
| 1 | 3000-1044 | Wire Set | X | X | X | X | X | X | X | X | X | X | X | X | X | X | X | X | X | X | X |
| 2 | 8201-048 | Relay | | | | | | X | X | X | X | X | X | X | X | X | X | X | X | X | X |
| 3 | 3000-1043 | Wire Set | X | X | X | X | X | X | X | X | X | X | X | X | X | X | X | X | X | X | X |
| 4 | 8607-022 | Terminal Block | X | X | X | X | X | X | X | X | X | X | X | X | X | X | X | X | X | X | X |
| 5 | 116-190 | Box Partition | X | X | X | X | X | X | X | X | X | X | X | X | X | X | X | X | X | X | X |
| 6 | 8611-006 | Ground Lug | X | X | X | X | X | X | X | X | X | X | X | X | X | X | X | X | X | X | X |
| 7 | 126-267 | Circuit Breaker Base | X | X | X | X | X | X | X | X | X | X | X | X | X | X | X | X | X | X | X |
| 11 | 8615-054 | Circuit Breaker 3 Pole 20A | X | X | | | | | | | | | | | | | | | | | |
| 11 | 8615-051 | Circuit Breaker 3 Pole 25A | | | | | | | | | | | | | | | | | | | |
| 11 | 8615-052 | Circuit Breaker 3 Pole 30A | | | | | | | | | | | | | | | | | | | |
| 11 | 8615-042 | Circuit Breaker 3 Pole 35A | | | | | | | | | | | | | | | | | | | |
| 11 | 8615-043 | Circuit Breaker 3 Pole 40A | | | | | | | | | | | | | | | | | | | |
| 11 | 8615-044 | Circuit Breaker 3 Pole 45A | | | | | | | | | | | | | | | | | | | |
| 11 | 8615-045 | Circuit Breaker 3 Pole 50A | | | | | | | | | | | | | | | | | | | |
| 11 | 8615-046 | Circuit Breaker 3 Pole 60A | | | | | | | | | | | | | | | | | | | |
| 12 | 8401-006 | Contactors 2 Pole 20A | | | | | | | | | | | | | | | | | | | |
| 13 | 8402-100 | Limits | | | | | | | | | | | | | | | | | | | |
| 14 | 8611-026 | Snap Bushings 1-3/4 | X | X | X | X | X | X | X | X | X | X | X | X | X | X | X | X | X | X | X |
| 15 | 116-189 | Heater Box | X | X | X | X | X | X | X | X | X | X | X | X | X | X | X | X | X | X | X |
| 16 | 8604-105 | Heat Strip 6 KW | | | | | | | | | | | | | | | | | | | |
| 16 | 8604-104 | Heat Strip 9 KW | | | | | | | | | | | | | | | | | | | |
| 17 | 116-191 | Heat Strip Wrapper | X | X | X | X | X | X | X | X | X | X | X | X | X | X | X | X | X | X | X |
| NS | 132-145 | Heat Strip Cover | X | X | X | X | X | X | X | X | X | X | X | X | X | X | X | X | X | X | X |
| NS | 4101-200 | Wiring Diagram Heater Package | X | X | X | X | X | X | X | X | X | X | X | X | X | X | X | X | X | X | X |
| NS | 4101-201 | Wiring Diagram Heater Package | | | | | | | | | | | | | | | | | | | |
| NS | 4101-202 | Wiring Diagram Heater Package | | | | | | | | | | | | | | | | | | | |
| NS | 4101-203 | Wiring Diagram Heater Package | | | | | | | | | | | | | | | | | | | |

NS = Not Shown

This Table references Exploded View on Page 13

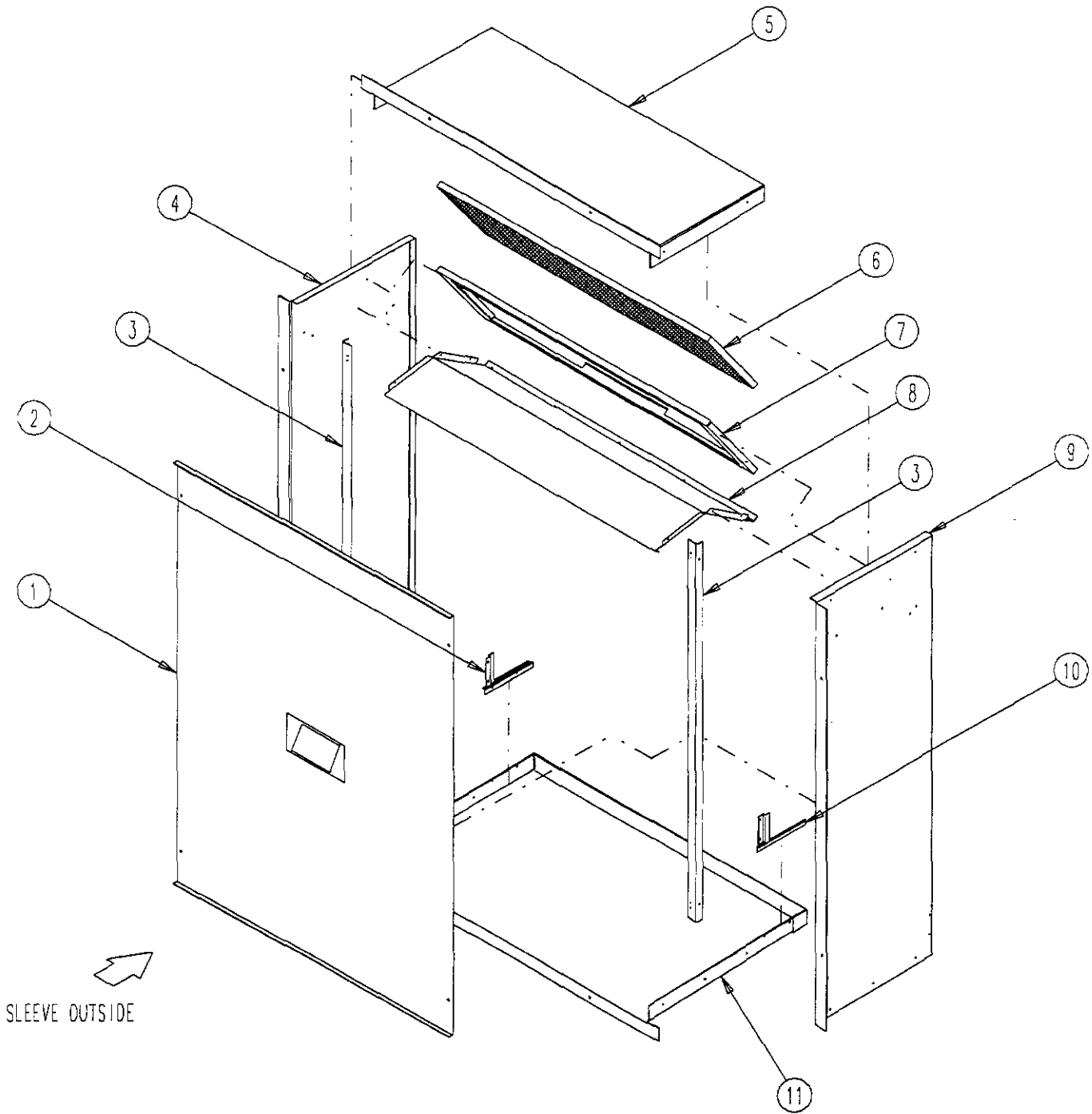
OPTIONAL HEATER COMPONENTS

| Drawing No. | Part No. | Description | QH241DC02 | QH301DC02 | QH481DC02 | QH241DC06 | QH301DC06 | QH481DC06 | QH241DC09 | QH301DC09 | QH481DC09 | QH301DC12 | QH301DC15 | QH421DC15 | QH481DC15 |
|-------------|-----------|-------------------------------|-----------|-----------|-----------|-----------|-----------|-----------|-----------|-----------|-----------|-----------|-----------|-----------|-----------|
| 1 | 3000-1044 | Wire Set | | | | | | | | | | X | | | |
| 2 | 8201-048 | Relay | | | | X | | | | | | X | | | |
| 3 | 3000-1043 | Wire Set | X | | | | | | | | | X | | | |
| 4 | 8607-022 | Terminal Block | X | | | | | | | | | X | | | |
| 5 | 116-190 | Box Partition | X | | | | | | | | | X | | | |
| 6 | 8611-006 | Ground Lug | X | | | | | | | | | X | | | |
| 9 | 126-269 | Pull Disconnect Base | X | | | | | | | | | X | | | |
| 10 | 8615-053 | Pull Disconnect | X | | | | | | | | | X | | | |
| 12 | 8401-002 | Contact 3 Pole 25A | | | | | | | | | | X | | | |
| 13 | 8402-100 | Limits | | | | | | | | | | X | | | |
| 14 | 8611-026 | Snap Bushings 1-3/4 | | | | | | | | | | 2 | | | |
| 15 | 116-189 | Heater Box | | | | | | | | | | X | | | |
| 16 | 8604-107 | Heat Strip 6 KW 480V | | | | | | | | | | X | | | |
| 16 | 8604-108 | Heat Strip 9 KW 480V | | | | | | | | | | X | | | |
| 17 | 116-191 | Heat Strip Wrapper | | | | | | | | | | X | | | |
| NS | 132-145 | Heat Strip Cover | | | | | | | | | | X | | | |
| NS | 4101-300 | Wiring Diagram Heater Package | X | | | | | | | | | | | | |
| NS | 4101-301 | Wiring Diagram Heater Package | | | | | | | | | | | | | |
| NS | 4101-302 | Wiring Diagram Heater Package | | | | | | | | | | | | | |
| NS | 4101-303 | Wiring Diagram Heater Package | | | | | | | | | | | | | |

NS = Not Shown

This Table references Exploded View on Page 13

WALL SLEEVE CABINET COMPONENTS



This Exploded View references Table on pages 18

WALL SLEEVE CABINET COMPONENTS

| Drawing No. | Part No. | Description | QWS42 | QWS42-16 | QWS48 |
|----------------|----------|-----------------------|-------|----------|-------|
| 1 | 142-056 | Cover | X | X | |
| 1 | 142-068 | Cover | | | X |
| 2 | 136Y361 | Left Side Seal Angle | X | X | X |
| 3 | 104-988 | Angle | 2 | 2 | 2 |
| 4 | 110Y045 | Left Side | X | | X |
| 4 | 110Y048 | Left Side | | X | |
| 5 | 110-047 | Top | X | | |
| 5 | 110-050 | Top | | X | |
| 5 | 110-056 | Top | | | X |
| 6 | 7003-044 | Mist Eliminator | X | X | X |
| 7 | 130-120 | Filter Tray | X | X | |
| 7 | 130-128 | Filter Tray | | | X |
| 8 | 120-305 | Partition | X | | |
| 8 | 120-309 | Partition | | X | |
| 8 | 120-322 | Partition | | | X |
| 9 | 110X045 | Right Side | X | | X |
| 9 | 110X048 | Right Side | | X | |
| 10 | 136X361 | Right Side Seal Angle | X | X | |
| 10 | 136-404 | Right Side Seal Angle | | | X |
| 11 | 111-046 | Base | X | | |
| 11 | 111-049 | Base | | X | |
| 11 | 111-055 | Base | | | X |

This Table references Exploded View on Page 17

