

---

# Replacement Parts Manual

## QTEC Series Packaged Heat Pump

### Models:

QH241      QH301  
QH361      QH421  
QH481

---

### General Notes

- Revised and/or additional pages may be issued from time to time.
- A complete and current manual consists of pages shown in the following contents section.

### Contents

Description	Page
Cabinet Components	
♦ Exploded View .....	1
♦ Usage List .....	2
♦ Usage List .....	3
♦ Blank Page .....	4
Functional Components	
♦ Exploded View .....	5
♦ Usage List .....	6
♦ Usage List .....	7
♦ Usage List .....	8
Control Panel Components	
♦ Exploded View .....	9
♦ Usage List .....	10
Blower Assembly Components	
♦ Exploded View .....	11
♦ Usage List .....	12
Optional Climate Control Components	
♦ Exploded View .....	13
♦ Usage List .....	14
Optional Heater Components	
♦ Exploded View .....	15
♦ Usage List .....	16
♦ Usage List .....	17
♦ Usage List .....	18
Wall Sleeve Cabinet Components	
♦ Exploded View .....	19
♦ Usage List .....	20



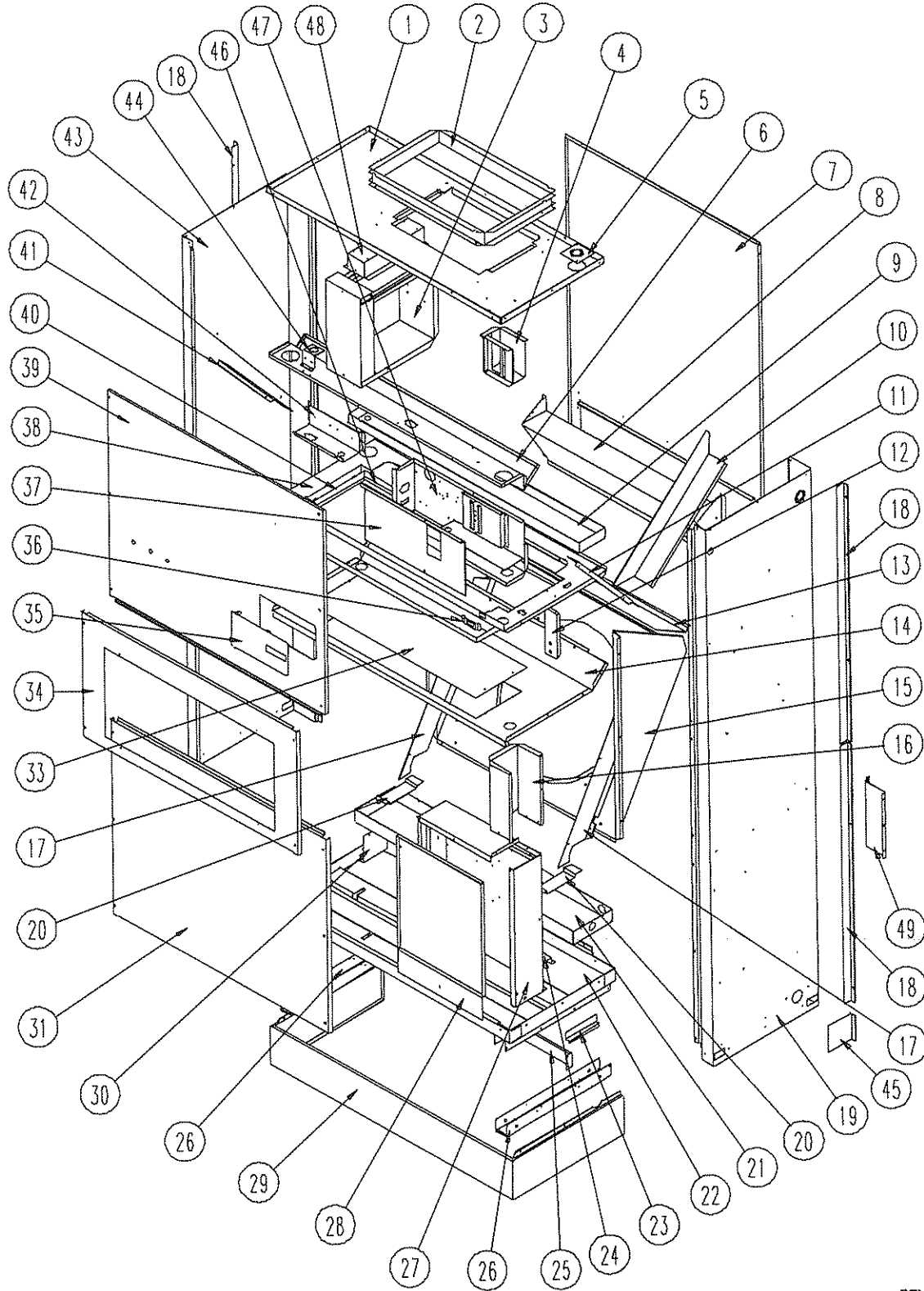
**BARD MANUFACTURING COMPANY**  
Bryan, Ohio 43506

*Since 1914...Moving ahead, just as planned.*

Manual: 2110-523E  
Supersedes: Rev. D  
File: Vol II Tab 14  
Date: 11-13-97

---

# CABINET COMPONENTS



SEXP-239

**This Exploded View references the Tables on Page 2 & 3**

# CABINET COMPONENTS

Drawing No.	Part No.	Description	QH241-A, B	QH241-LA, LB	QH241-C	QH241-LC	QH301-A, B	QH301-LA, LB	QH301-C	QH301-LC	QH361-A, -B	QH361-LA, LB	QH361-C	QH361-LC	QH421-A, B	QH421-LA, LB	QH421-C	QH421-LC
1	S506-187	Top Assembly	X	X	X	X	X	X	X	X	X	X	X	X	X	X	X	X
2	110-044	Outlet Duct Flange	2	2	2	2	2	2	2	2	2	2	2	2	2	2	2	2
3	See Page 13	Heater Package Assembly (Optional)	X	X	X	X	X	X	X	X	X	X	X	X	X	X	X	X
4	117-187	Low Voltage Box Assembly (Optional)	X	X	X	X	X	X	X	X	X	X	X	X	X	X	X	X
5	136-359	T. K. O. Plate	X	X	X	X	X	X	X	X	X	X	X	X	X	X	X	X
6	534-153	Evaporator Coil Shield Assembly	X	X	X	X	X	X	X	X	X	X	X	X	X	X	X	X
7	508-133	Back Assembly	X	X	X	X	X	X	X	X	X	X	X	X	X	X	X	X
8	538-106	Fresh Air Damper Assembly	X	X	X	X	X	X	X	X	X	X	X	X	X	X	X	X
9	523-093	Evaporator Drain Pan Assembly	X	X	X	X	X	X	X	X	X	X	X	X	X	X	X	X
10	134-154	Wire Channel	X	X	X	X	X	X	X	X	X	X	X	X	X	X	X	X
11	140X226	Right Evaporator Support	X	X	X	X	X	X	X	X	X	X	X	X	X	X	X	X
12	112-227	Filter Sensor Bracket	X	X	X	X	X	X	X	X	X	X	X	X	X	X	X	X
13	142-055	Condenser Coil Fill	X	X	X	X	X	X	X	X	X	X	X	X	X	X	X	X
14	520-304	Condenser Partition Assembly	X	X	X	X	X	X	X	X	X	X	X	X	X	X	X	X
15	124-031	Fan Shroud Left Side	X	X	X	X	X	X	X	X	X	X	X	X	X	X	X	X
15	124-032	Fan Shroud Back	X	X	X	X	X	X	X	X	X	X	X	X	X	X	X	X
15	124-033	Fan Shroud Right Side	X	X	X	X	X	X	X	X	X	X	X	X	X	X	X	X
16	140-228	Wire Channel	X	X	X	X	X	X	X	X	X	X	X	X	X	X	X	X
17	140-229	Condenser Coil Support	2	2	2	2	2	2	2	2	2	2	2	2	2	2	2	2
18	134-164-* (1)	Side Trim	4	4	4	4	4	4	4	4	4	4	4	4	4	4	4	4
19	500-329-* (1)	Right Side Assembly	X	X	X	X	X	X	X	X	X	X	X	X	X	X	X	X
20	140-227	Subcooling Loop Hold Down	3	3	3	3	3	3	3	3	3	3	3	3	3	3	3	3
21	123-094	Condenser Drain Pan Assembly	X	X	X	X	X	X	X	X	X	X	X	X	X	X	X	X
22	527-268	Lower Base Assembly	X	X	X	X	X	X	X	X	X	X	X	X	X	X	X	X
23	102-415	Pile Seal Offset	X	X	X	X	X	X	X	X	X	X	X	X	X	X	X	X
24	112-226	Water Sensor Bracket	X	X	X	X	X	X	X	X	X	X	X	X	X	X	X	X
25	134-152	Base Shield	X	X	X	X	X	X	X	X	X	X	X	X	X	X	X	X
26	140-225	Lower Roller Support	2	2	2	2	2	2	2	2	2	2	2	2	2	2	2	2
27	See Page 7	Control Panel Components	X	X	X	X	X	X	X	X	X	X	X	X	X	X	X	X
28	132-142	Control Panel Door	X				X		X		X		X		X		X	
28	132-149	Control Panel Door		X				X			X			X			X	
29	534-155-* (1)	Base Trim Assembly	X	X	X	X	X	X	X	X	X	X	X	X	X	X	X	X
30	140-230	Drain Pan Support	X	X	X	X	X	X	X	X	X	X	X	X	X	X	X	X
31	552-271-* (1)	Condenser Door Assembly	X	X	X	X	X	X	X	X	X	X	X	X	X	X	X	X
33	536-351	Condenser Blank Off Plate	X	X	X	X	X	X	X	X	X	X	X	X	X	X	X	X
34	552-266-* (1)	Filter Door Assembly	X	X	X	X	X	X	X	X	X	X	X	X	X	X	X	X
35	152-265-* (1)	Circuit Breaker Door	X	X	X	X	X	X	X	X	X	X	X	X	X	X	X	X
36	112-228	Door Switch Bracket	X	X	X	X	X	X	X	X	X	X	X	X	X	X	X	X
37	132-144	Pull Disconnect Door Inner			X						X				X			
37	132-143	Circuit Breaker Door Inner	X				X											X
38	130-117	Filter Tray	X	X	X	X	X	X	X	X	X	X	X	X	X	X	X	X
39	See Page 11	Blower Door Assembly	X	X	X	X	X	X	X	X	X	X	X	X	X	X	X	X
40	130-118	Filter Frame	X	X	X	X	X	X	X	X	X	X	X	X	X	X	X	X
41	140Y226	Left Evaporator Support	X	X	X	X	X	X	X	X	X	X	X	X	X	X	X	X
42	116-192	Relay Control Panel	X	X	X	X	X	X	X	X	X	X	X	X	X	X	X	X
43	500-330-* (1)	Left Side Assembly	X	X	X	X	X	X	X	X	X	X	X	X	X	X	X	X
44	113-142	Expansion Valve Mounting Plate	X	X	X	X	X	X	X	X	X	X	X	X	X	X	X	X
45	134-165-* (1)	Base Trim Extension	2	2	2	2	2	2	2	2	2	2	2	2	2	2	2	2
46	104-981	Filter Frame Back	X	X	X	X	X	X	X	X	X	X	X	X	X	X	X	X
47	See Page 13	Pull Disconnect Assembly			X				X			X						X
47	See Page 13	Circuit Breaker Box Assembly	X				X				X				X			
48	112-229	Heatstrip Bracket	X	X	X	X	X	X	X	X	X	X	X	X	X	X	X	X
49	112-234	Mounting Bracket	2	2	2	2	2	2	2	2	2	2	2	2	2	2	2	2

(1) Exterior cabinet parts are manufactured with various color options. To insure that you receive the proper color, you must include the complete models and serial number of the unit for which parts are being ordered.

This Table references Exploded View on Page 1

# CABINET COMPONENTS

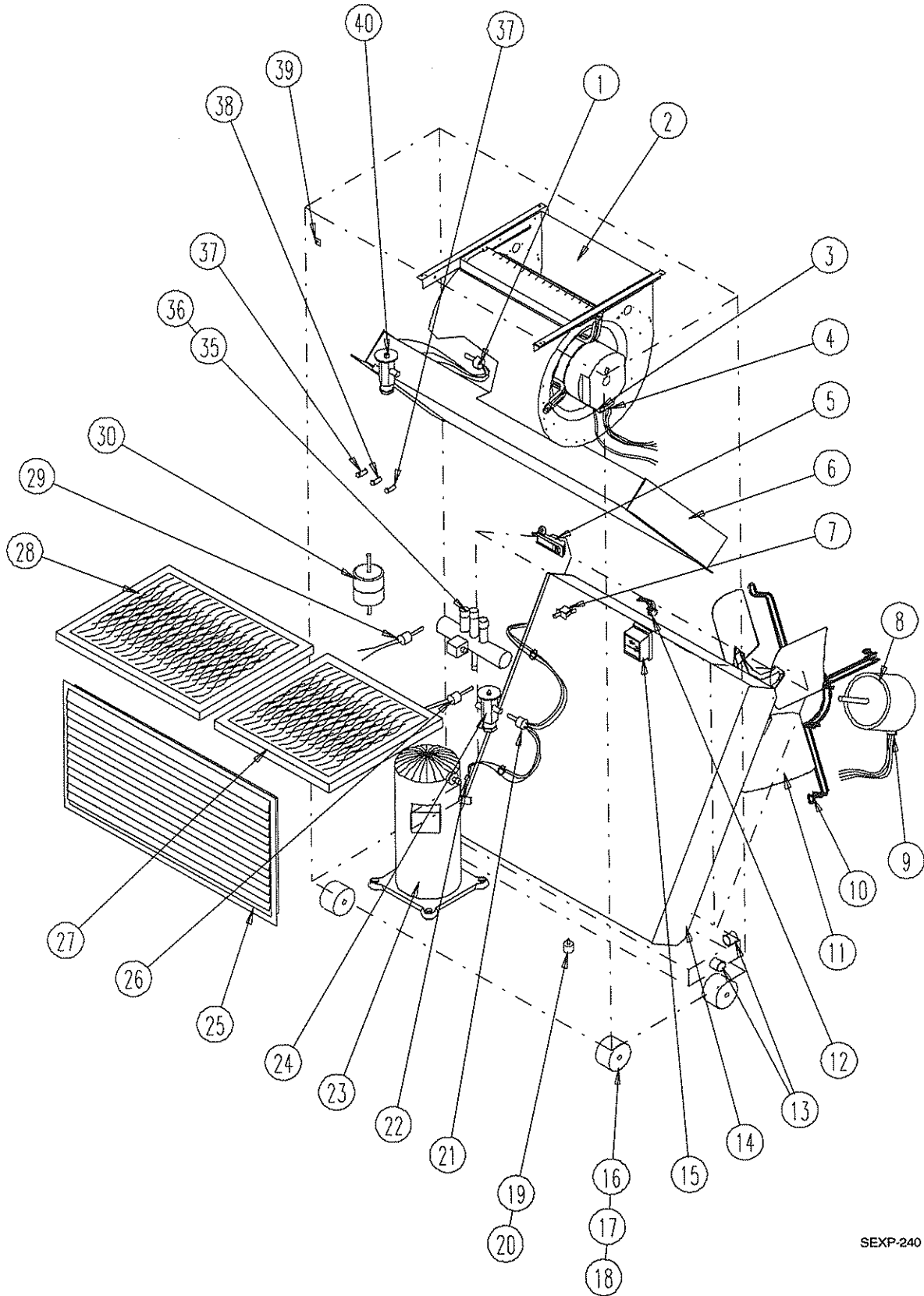
Drawing No.	Part No.	Description	QH481-A, B QH481LA, LB	QH481-C QH481LC
1	S506-214	Top Assembly	X	X
2	110-044	Outlet Duct Flange	2	2
3	See Page 13	Heater Package Assembly (Optional)	X	X
4	117-187	Low Voltage Box Assembly (Optional)	X	X
5	136-359	T. K. O. Plate	X	X
6	534-173	Evaporator Coil Shield Assembly	X	X
7	508-149	Back Assembly	X	X
8	538-106	Fresh Air Damper Assembly	X	X
9	523-098	Evaporator Drain Pan Assembly	X	X
10	134-154	Wire Channel	X	X
11	140X226	Right Evaporator Support	X	X
12	112-227	Filter Sensor Bracket	X	X
13	142-066	Condenser Coil Fill	X	X
14	520-321	Condenser Partition Assembly	X	X
15	124-031	Fan Shroud Left Side	X	X
15	124-034	Fan Shroud Back	X	X
15	124-033	Fan Shroud Right Side	X	X
16	140-228	Wire Channel	X	X
17	140-229	Condenser Coil Support	2	2
18	134-164-* (1)	Side Trim	4	4
19	500-329-* (1)	Right Side Assembly	X	X
20	140-227	Subcooling Loop Hold Down	3	3
21	123-099	Condenser Drain Pan Assembly	X	X
22	527-294	Lower Base Assembly	X	X
23	102-424	Pile Seal Offset – Left	X	X
23	102-415	Pile Seal Offset – Right	X	X
24	112-226	Water Sensor Bracket	X	X
25	134-172	Base Shield	X	X
26	140-225	Lower Roller Support	2	2
27	See Page 7	Control Panel Components	X	X
28	132-142	Control Panel Door	X	
28	132-149	Control Panel Door		X
29	534-174-* (1)	Base Trim Assembly	X	X
30	140-230	Drain Pan Support	X	X
31	552-307-* (1)	Condenser Door Assembly	X	X
33	536-351	Condenser Blank Off Plate	X	X
34	552-306-* (1)	Filter Door Assembly	X	X
35	152-265-* (1)	Circuit Breaker Door	X	X
36	112-228	Door Switch Bracket	X	X
37	132-144	Pull Disconnect Door Inner		X
37	132-143	Circuit Breaker Door Inner	X	
38	130-126	Filter Tray	X	X
39	See Page 11	Blower Door Assembly	X	X
40	130-127	Filter Frame	X	X
41	140Y226	Left Evaporator Support	X	X
42	116-192	Relay Control Panel	X	X
43	500-335-* (1)	Left Side Assembly	X	X
44	113-142	Expansion Valve Mounting Plate	X	X
45	134-165-* (1)	Base Trim Extension	2	2
46	104-1029	Filter Frame Back	X	X
47	See Page 13	Pull Disconnect Assembly		X
47	See Page 13	Circuit Breaker Box Assembly	X	
48	112-229	Heatstrip Bracket	X	X
49	112-234	Mounting Bracket	2	2

(1) Exterior cabinet parts are manufactured with various color options. To insure that you receive the proper color, you must include the complete models and serial number of the unit for which parts are being ordered.

**This Table references Exploded View on Page 1**

**This page has been left blank intentionally.**

# FUNCTIONAL COMPONENTS



SEXP-240

This Exploded View references Tables on pages 6, 7 and 8

# FUNCTIONAL COMPONENTS

Drawing No.	Part No.	Description	QH241-A	QH241LA	QH241-B	QH241LB	QH241-C	QH241LC	QH301-A	QH301LA	QH301-B	QH301LB	QH301-C	QH301LC	QH361-A	QH361LA	QH361-B	QH361LB	QH361-C	QH361LC	QH421-A	QH421LA	QH421-B	QH421LB	QH421-C	QH421LC
			1	800-0247	Distributor Cooling	X	X	X	X	X	X	X	X	X	X	X	X	X	X	X	X	X	X	X	X	X
1	800-0248	Distributor Cooling													X	X	X	X	X	X	X	X	X	X	X	X
2	900-225-001	Blower Assembly	X	X	X	X	X	X	X	X	X	X	X	X	X	X	X	X	X	X	X	X	X	X	X	X
2	900-225-002	Blower Assembly							X	X	X	X	X	X	X	X	X	X	X	X	X	X	X	X	X	X
2	900-225-004	Blower Assembly													X	X	X	X	X	X	X	X	X	X	X	X
3	3000-1045	Wire Harness High Voltage					X						X						X						X	
3	3000-1046	Wire Harness High Voltage	X	X				X	X	X	X	X	X	X	X	X	X	X	X	X	X	X	X	X	X	X
4	3000-1042	Wire Harness Low Voltage	X	X	X	X	X	X	X	X	X	X	X	X	X	X	X	X	X	X	X	X	X	X	X	X
5	1171-036	Keylatch/Circuit Breaker Door	X	X	X	X	X	X	X	X	X	X	X	X	X	X	X	X	X	X	X	X	X	X	X	X
6	5060-089	Evaporator Coil	X	X	X	X	X	X	X	X	X	X	X	X												
6	5060-090	Evaporator Coil													X	X	X	X	X	X	X	X	X	X	X	
7	8406-085	Door Switch	X	X	X	X	X	X	X	X	X	X	X	X	X	X	X	X	X	X	X	X	X	X	X	X
8	8103-021	Motor	X	X	X	X	X	X	X	X	X	X	X	X	X	X	X	X	X	X	X	X	X	X	X	X
9	3000-1049	Wire Harness	X	X	X	X	X	X	X	X	X	X	X	X	X	X	X	X	X	X	X	X	X	X	X	X
10	8200-001	Motor Mount	X	X	X	X	X	X	X	X	X	X	X	X	X	X	X	X	X	X	X	X	X	X	X	X
11	5151-050	Fan Blade	X	X	X	X	X	X	X	X	X	X	X	X	X	X	X	X	X	X	X	X	X	X	X	X
12	3000-1047	Wire Harness	X	X	X	X	X	X	X	X	X	X	X	X	X	X	X	X	X	X	X	X	X	X	X	X
13	6094-003	Drain Fitting	2	2	2	2	2	2	2	2	2	2	2	2	2	2	2	2	2	2	2	2	2	2	2	2
14	5051-095	Condenser Coil	X	X	X	X	X	X	X	X	X	X	X	X												
14	5051-096	Condenser Coil													X	X	X	X	X	X	X	X	X	X	X	X
15	8301-011	Dirty Filter Switch	X	X	X	X	X	X	X	X	X	X	X	X	X	X	X	X	X	X	X	X	X	X	X	X
16	1171-035	Wheel	4	4	4	4	4	4	4	4	4	4	4	4	4	4	4	4	4	4	4	4	4	4	4	4
17	1012-129	Bolt - Shoulder	4	4	4	4	4	4	4	4	4	4	4	4	4	4	4	4	4	4	4	4	4	4	4	4
18	1012-224	Nut - Locking	4	4	4	4	4	4	4	4	4	4	4	4	4	4	4	4	4	4	4	4	4	4	4	4
19	8406-083	Water Level Switch	X	X	X	X	X	X	X	X	X	X	X	X	X	X	X	X	X	X	X	X	X	X	X	X
20	1012-316	Nut - Water Level Switch	X	X	X	X	X	X	X	X	X	X	X	X	X	X	X	X	X	X	X	X	X	X	X	X
21	800-0249	Distributor - Heating	X	X	X	X	X	X	X	X	X	X	X	X												
21	800-0250	Distributor - Heating													X	X	X	X	X	X	X	X	X	X	X	
22	910-1257	Defrost Sensor	X	X	X	X	X	X	X	X	X	X	X	X	X	X	X	X	X	X	X	X	X	X	X	X
23	8000-171	Compressor	X																							
23	8000-201	Compressor		X																						
23	8000-202	Compressor			X				X																	
23	8000-172	Compressor						X																		
23	8000-203	Compressor							X																	
23	8000-204	Compressor								X																
23	8000-175	Compressor									X															
23	8000-163	Compressor													X											
23	8000-164	Compressor															X									
23	8000-177	Compressor																	X							
23	8000-205	Compressor																					X			
23	8000-206	Compressor																						X		
24	5651-137	TXV Heating	X	X	X																					
24	5651-138	TXV Heating						X	X	X																
24	5651-102	TXV Heating													X	X	X	X	X	X	X	X	X	X	X	
25	7051-034	Return Air Grille	X	X	X	X	X	X	X	X	X	X	X	X	X	X	X	X	X	X	X	X	X	X	X	X
26	8406-055	High Pressure Control	X	X	X	X	X	X	X	X	X	X	X	X	X	X	X	X	X	X	X	X	X	X	X	X
27	7004-009	Air Filter	X	X	X	X	X	X	X	X	X	X	X	X	X	X	X	X	X	X	X	X	X	X	X	X
27	7004-032	Filter 2" Fiberglass (Optional)	X	X	X	X	X	X	X	X	X	X	X	X	X	X	X	X	X	X	X	X	X	X	X	X
27	7004-034	Filter 2" Pleated (Optional)	X	X	X	X	X	X	X	X	X	X	X	X	X	X	X	X	X	X	X	X	X	X	X	X
28	7004-010	Air Filter	X	X	X	X	X	X	X	X	X	X	X	X	X	X	X	X	X	X	X	X	X	X	X	X
28	7004-033	Filter 2" Fiberglass (Optional)	X	X	X	X	X	X	X	X	X	X	X	X	X	X	X	X	X	X	X	X	X	X	X	X
28	7004-035	Filter 2" Pleated (Optional)	X	X	X	X	X	X	X	X	X	X	X	X	X	X	X	X	X	X	X	X	X	X	X	X

*Continued on Page 6*

This Table references Exploded View on Page 5

# FUNCTIONAL COMPONENTS

Drawing No.	Part No.	Description	QH241-A	QH241LA	QH241-B	QH241LB	QH241-C	QH241LC	QH301-A	QH301LA	QH301-B	QH301LB	QH301-C	QH301LC	QH361-A	QH361LA	QH361-B	QH361LB	QH361-C	QH361LC	QH421-A	QH421LA	QH421-B	QH421LB	QH421-C	QH421LC	
<i>Continued from Page 4</i>																											
29	8406-061	Low Pressure Control	X	X	X	X	X	X	X	X	X	X	X	X	X	X	X	X	X	X	X	X	X	X	X	X	X
30	5201-009	Filter/Drier	X	X	X	X	X	X	X	X	X	X	X	X	X	X	X	X	X	X	X	X	X	X	X	X	X
31	1171-038	Cupped Washer Black	4	4	4	4	4	4	4	4	4	4	4	4	4	4	4	4	4	4	4	4	4	4	4	4	4
35	5650-020	Reversing Valve	X	X	X				X	X	X																
35	5650-021	Reversing Valve							X	X	X				X	X	X	X	X	X	X	X	X	X	X	X	
35	5650-025	Reversing Valve													X	X	X	X	X	X	X	X	X	X	X	X	
36	5650-022	Solenoid Coil	X	X	X	X	X	X	X	X	X	X	X	X	X	X	X	X	X	X	X	X	X	X	X	X	X
37	8611-094	Indicator Light - Red	2	2	2	2	2	2	2	2	2	2	2	2	2	2	2	2	2	2	2	2	2	2	2	2	2
38	8611-095	Indicator Light - Yellow	X	X	X	X	X	X	X	X	X	X	X	X	X	X	X	X	X	X	X	X	X	X	X	X	X
39	1012-315	"U" Clip Fastener	16	16	16	16	16	16	16	16	16	16	16	16	16	16	16	16	16	16	16	16	16	16	16	16	16
40	5651-137	TXV Cooling	X	X	X				X	X	X																
40	5651-138	TXV Cooling							X	X	X				X	X	X	X	X	X	X	X	X	X	X	X	
40	5651-102	TXV Cooling													X	X	X	X	X	X	X	X	X	X	X	X	
NS	1804-0108	Low Ambient Control	X	X	X	X	X	X	X	X	X	X	X	X	X	X	X	X	X	X	X	X	X	X	X	X	X

Drawing No.	Part No.	Description	QH241-A	QH241-B	QH241-C	QH301-A	QH301-B	QH301-C	QH361-A	QH361-B	QH361-C	QH421-A	QH421-B	QH421-C
NS	4100-101	Wiring Diagram	X			X			X			X		
NS	4100-201	Wiring Diagram		X			X			X			X	
NS	4100-301	Wiring Diagram			X			X			X			X

Drawing No.	Part No.	Description	QH241LA	QH241LB	QH241LC	QH301LA	QH301LB	QH301LC	QH361LA	QH361LB	QH361LC	QH421LA	QH421LB	QH421LC
NS	4100-102	Wiring Diagram	X			X			X			X		
NS	4100-202	Wiring Diagram		X			X			X			X	
NS	4100-302	Wiring Diagram			X			X			X			X

This Table references Exploded View on Page 5



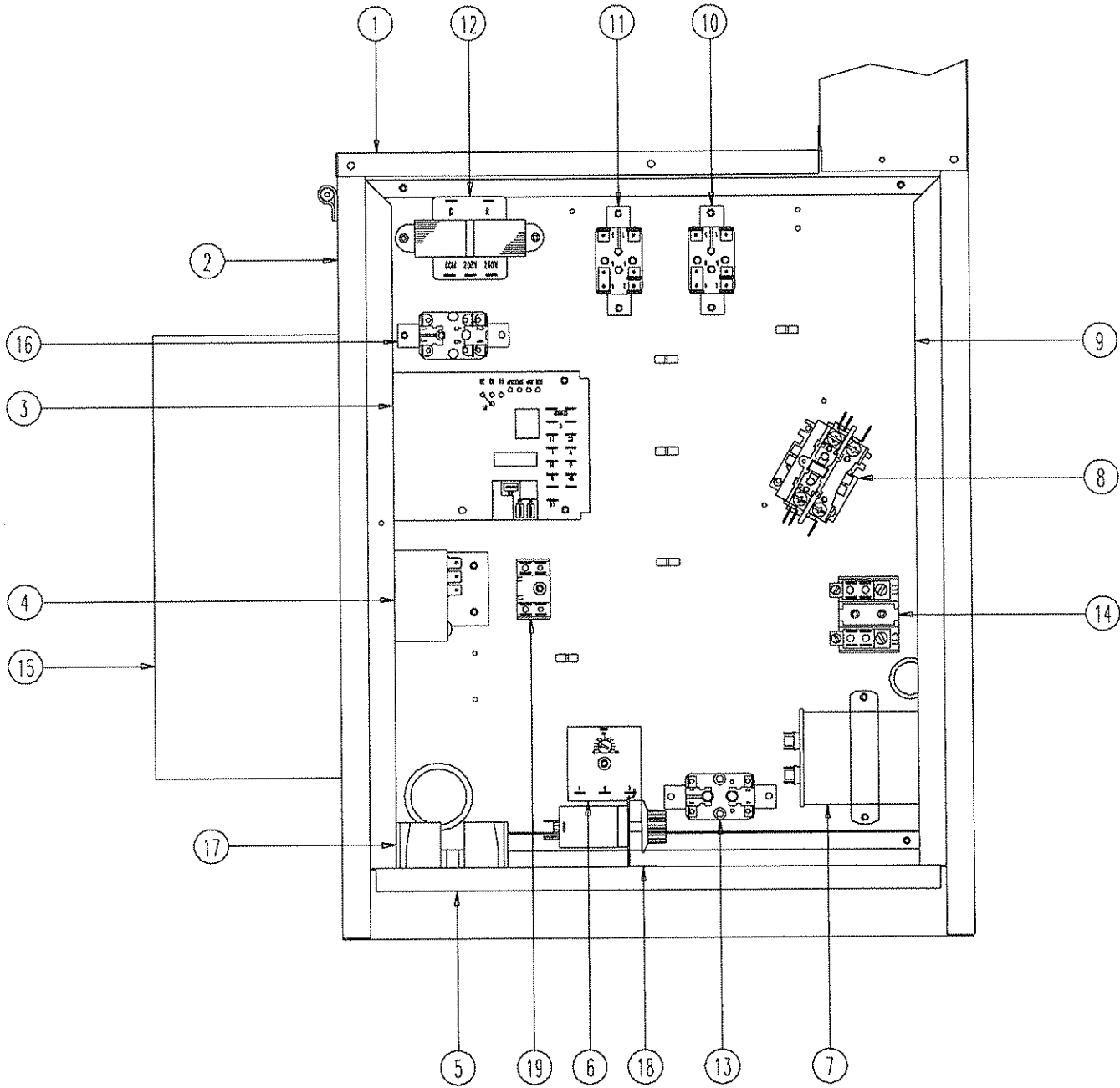
# FUNCTIONAL COMPONENTS

Drawing No.	Part No.	Description	QH481-A	QH481-B	QH481-C
			QH481LA	QH481LB	QH481LC
1	800-0266	Distributor Cooling	X	X	X
2	900-225-005	Blower Assembly	X	X	X
3	3000-1045	Wire Harness High Voltage			X
3	3000-1046	Wire Harness High Voltage	X	X	
4	3000-1042	Wire Harness Low Voltage	X	X	X
5	1171-036	Keylatch/Circuit Breaker Door	X	X	X
6	5060-095	Evaporator Coil	X	X	X
7	8406-085	Door Switch	X	X	X
8	8103-021	Motor	X	X	X
9	3000-1049	Wire Harness	X	X	X
10	8200-001	Motor Mount	X	X	X
11	5151-050	Fan Blade	X	X	X
12	3000-1047	Wire Harness	X	X	X
13	6094-003	Drain Fitting	2	2	2
14	5051-104	Condenser Coil	X	X	X
15	8301-011	Dirty Filter Switch	X	X	X
16	1171-035	Wheel	4	4	4
17	1012-129	Bolt - Shoulder	4	4	4
18	1012-224	Nut - Locking	4	4	4
19	8406-083	Water Level Switch	X	X	X
20	1012-316	Nut - Water Level Switch	X	X	X
21	800-0267	Distributor - Heating	X	X	X
22	910-1257	Defrost Sensor	X	X	X
23	8000-218	Compressor	X		
23	8000-221	Compressor		X	
23	8000-222	Compressor			X
24	5651-103	TXV Heating	X	X	X
25	7051-039	Return Air Grille	X	X	X
26	8406-055	High Pressure Control	X	X	X
27	7004-009	Air Filter	X	X	X
27	7004-032	Filter 2" Fiberglass (Optional)	X	X	X
27	7004-034	Filter 2" Pleated (Optional)	X	X	X
28	7004-011	Air Filter	X	X	X
28	7004-036	Filter 2" Fiberglass (Optional)	X	X	X
28	7004-037	Filter 2" Pleated (Optional)	X	X	X
29	8406-061	Low Pressure Control	X	X	X
30	5201-009	Filter/Drier	X	X	X
31	1171-038	Cupped Washer Black	4	4	4
35	5650-025	Reversing Valve	X	X	X
36	5650-022	Solenoid Coil	X	X	X
37	8611-094	Indicator Light - Red	2	2	2
38	8611-095	Indicator Light - Yellow	X	X	X
39	1012-315	"U" Clip Fastener	16	16	16
40	5651-103	TXV Cooling	X	X	X
NS	1804-0108	Low Ambient Control	X	X	X

Drawing No.	Part No.	Description	QH481-A	QH481-B	QH481-C	QH481LA	QH481LB	QH481LC
NS	4100-101	Wiring Diagram	X					
NS	4100-201	Wiring Diagram		X				
NS	4100-301	Wiring Diagram			X			
NS	4100-102	Wiring Diagram				X		
NS	4100-202	Wiring Diagram					X	
NS	4100-302	Wiring Diagram						X

These Tables reference Exploded View on Page 5

# CONTROL PANEL COMPONENTS



SEXP-246

This Exploded View references Table on page 10

# CONTROL PANEL COMPONENTS

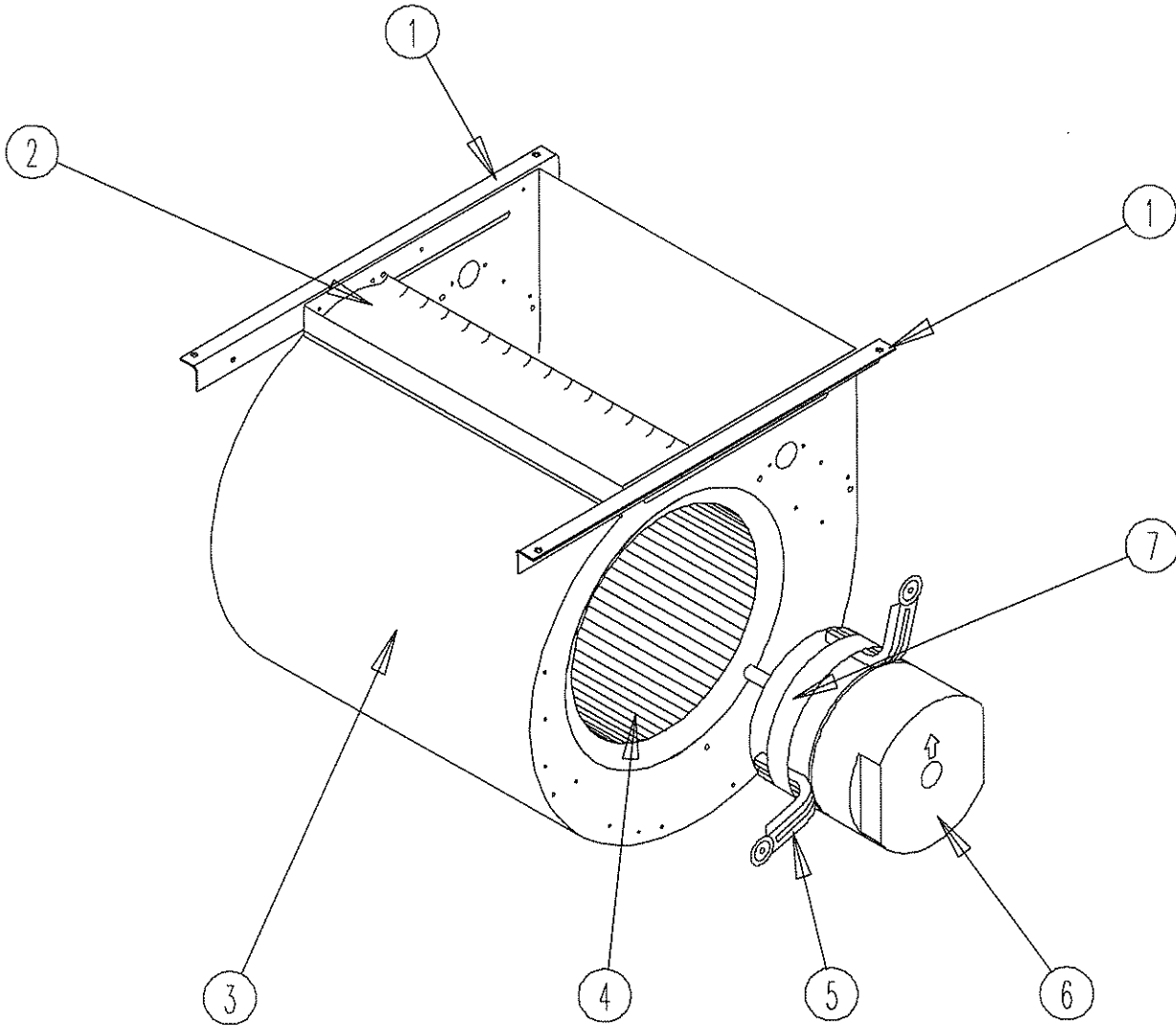
Drawing No.	Part No.	Description	QH241-A	QH301-A	QH361-A	QH421-A	QH481-A	QH241-B	QH301-B	QH361-B	QH421-B	QH481-B	QH241-C	QH301-C	QH361-C	QH421-C	QH481-C	QH241LA	QH301LA	QH361LA	QH421LA	QH481LA	QH241LB	QH301LB	QH361LB	QH421LB	QH481LB	QH241LC	QH301LC	QH361LC	QH421LC	QH481LC							
1	116-186	Control Panel Top	X	X	X	X	X	X	X	X	X	X	X	X	X	X	X	X	X	X	X	X	X	X	X	X	X	X	X	X	X	X	X						
2	116-184	Control Panel	X	X	X	X	X	X	X	X	X	X	X	X	X	X	X	X	X	X	X	X	X	X	X	X	X	X	X	X	X	X	X	X					
3	8201-069	Heat Pump Control	X	X	X	X	X	X	X	X	X	X	X	X	X	X	X	X	X	X	X	X	X	X	X	X	X	X	X	X	X	X	X	X					
4	8408-034	Condenser Motor Thermostat	X	X	X	X	X	X	X	X	X	X	X	X	X	X	X	X	X	X	X	X	X	X	X	X	X	X	X	X	X	X	X	X	X				
5	126-266	Control Panel Base	X	X	X	X	X	X	X	X	X	X	X	X	X	X	X	X	X	X	X	X	X	X	X	X	X	X	X	X	X	X	X	X	X				
6	8201-078	Low Pressure Bypass TDR	X	X	X	X	X	X	X	X	X	X	X	X	X	X	X	X	X	X	X	X	X	X	X	X	X	X	X	X	X	X	X	X	X	X			
7	8552-002	Capacitor	X	X	X	X	X	X	X	X	X	X	X	X	X	X	X	X	X	X	X	X	X	X	X	X	X	X	X	X	X	X	X	X	X	X			
7	8552-050	Capacitor	X	X	X	X	X	X	X	X	X	X	X	X	X	X	X	X	X	X	X	X	X	X	X	X	X	X	X	X	X	X	X	X	X	X			
7	8552-052	Capacitor	X	X	X	X	X	X	X	X	X	X	X	X	X	X	X	X	X	X	X	X	X	X	X	X	X	X	X	X	X	X	X	X	X	X	X		
7	8552-063	Capacitor	X	X	X	X	X	X	X	X	X	X	X	X	X	X	X	X	X	X	X	X	X	X	X	X	X	X	X	X	X	X	X	X	X	X	X		
7	8552-062	Capacitor	X	X	X	X	X	X	X	X	X	X	X	X	X	X	X	X	X	X	X	X	X	X	X	X	X	X	X	X	X	X	X	X	X	X	X		
8	8401-007	Contact	X	X	X	X	X	X	X	X	X	X	X	X	X	X	X	X	X	X	X	X	X	X	X	X	X	X	X	X	X	X	X	X	X	X	X		
8	8401-002	Contact	X	X	X	X	X	X	X	X	X	X	X	X	X	X	X	X	X	X	X	X	X	X	X	X	X	X	X	X	X	X	X	X	X	X	X	X	
9	116-186	Control Panel Mounting Plate	X	X	X	X	X	X	X	X	X	X	X	X	X	X	X	X	X	X	X	X	X	X	X	X	X	X	X	X	X	X	X	X	X	X	X	X	
10	8201-062	Relay SPDT Pilot Duty	X	X	X	X	X	X	X	X	X	X	X	X	X	X	X	X	X	X	X	X	X	X	X	X	X	X	X	X	X	X	X	X	X	X	X	X	
11	8201-009	Relay	X	X	X	X	X	X	X	X	X	X	X	X	X	X	X	X	X	X	X	X	X	X	X	X	X	X	X	X	X	X	X	X	X	X	X	X	
12	8407-035	Transformer	X	X	X	X	X	X	X	X	X	X	X	X	X	X	X	X	X	X	X	X	X	X	X	X	X	X	X	X	X	X	X	X	X	X	X	X	
13	8201-009	Relay	X	X	X	X	X	X	X	X	X	X	X	X	X	X	X	X	X	X	X	X	X	X	X	X	X	X	X	X	X	X	X	X	X	X	X	X	
14	8607-013	Terminal Block Two Terminals	X	X	X	X	X	X	X	X	X	X	X	X	X	X	X	X	X	X	X	X	X	X	X	X	X	X	X	X	X	X	X	X	X	X	X	X	X
15	8407-003	Transformer Stepdown 1.5 KVA	X	X	X	X	X	X	X	X	X	X	X	X	X	X	X	X	X	X	X	X	X	X	X	X	X	X	X	X	X	X	X	X	X	X	X	X	
15	8407-004	Transformer Stepdown 2.0 KVA	X	X	X	X	X	X	X	X	X	X	X	X	X	X	X	X	X	X	X	X	X	X	X	X	X	X	X	X	X	X	X	X	X	X	X	X	
16	8201-015	Staging Relay	X	X	X	X	X	X	X	X	X	X	X	X	X	X	X	X	X	X	X	X	X	X	X	X	X	X	X	X	X	X	X	X	X	X	X	X	
17	8614-041	Fuse Holder	X	X	X	X	X	X	X	X	X	X	X	X	X	X	X	X	X	X	X	X	X	X	X	X	X	X	X	X	X	X	X	X	X	X	X	X	
18	8408-028	Outdoor Thermostat	X	X	X	X	X	X	X	X	X	X	X	X	X	X	X	X	X	X	X	X	X	X	X	X	X	X	X	X	X	X	X	X	X	X	X	X	X
19	8607-017	Terminal block (Optional)	X	X	X	X	X	X	X	X	X	X	X	X	X	X	X	X	X	X	X	X	X	X	X	X	X	X	X	X	X	X	X	X	X	X	X	X	
NS	8614-046	Fuses Class CC 5A																																					
NS	8614-042	Fuses Class CC 7A																																					

(1) 7 Amp fuses used with 2 KVA Stepdown transformer which is standard equipment when an energy recovery ventilator is used.  
 NS Not Shown

This Table references Exploded View on Page 9

# BLOWER ASSEMBLY COMPONENTS

---



SEXP-245

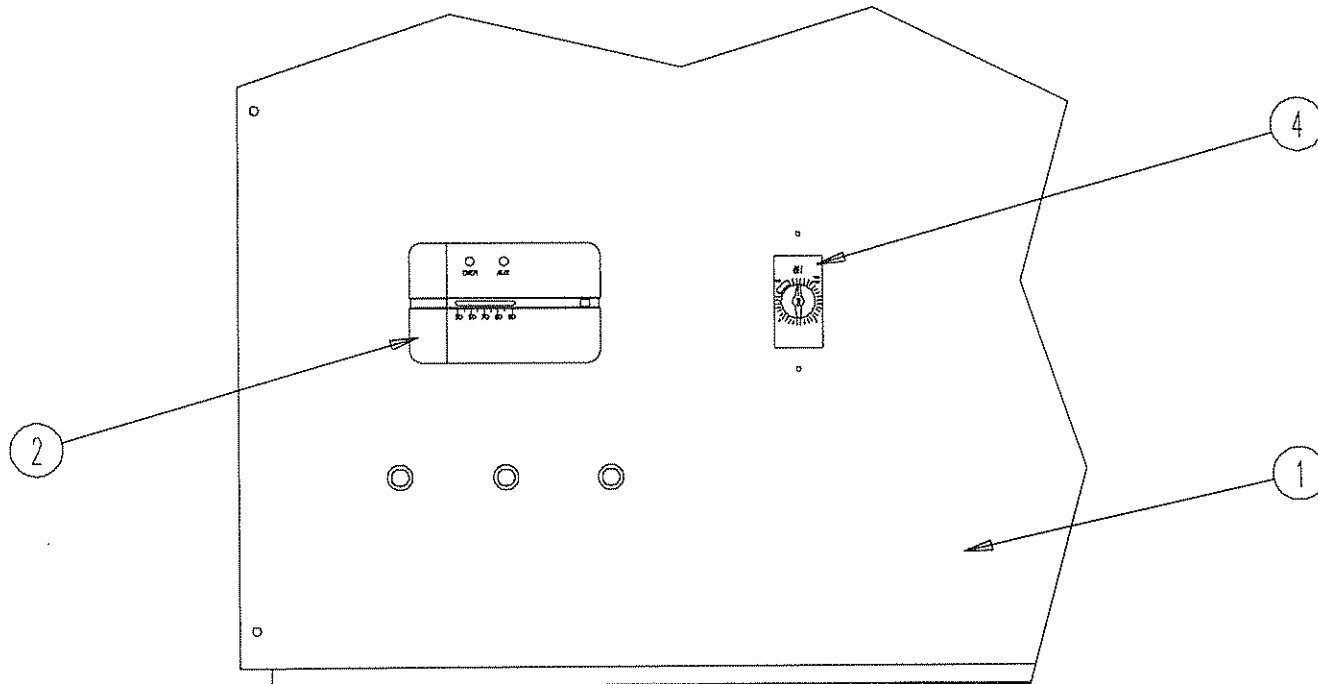
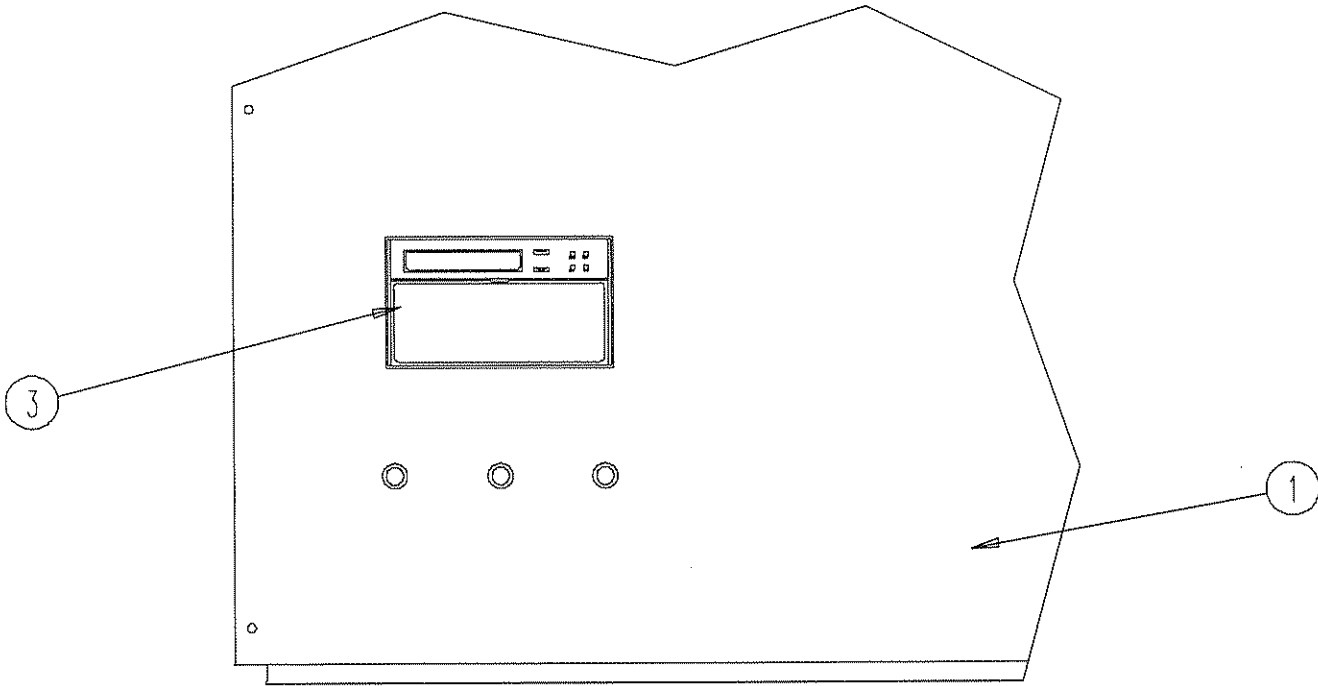
This Exploded View references Table on page 12

# BLOWER ASSEMBLY COMPONENTS

Drawing No.	Part No.	Description	900-225-001	900-225-002	900-225-004	900-225-005
1	104-980	Blower Angle	2	2	2	2
2	144-131	Diffuser	X	X	X	X
3	151-110	Blower Housing	X	X	X	X
4	5152-061	Blower Wheel	X	X	X	X
5	8200-034	Motor Mount Arm	3	3	3	3
6	8106-035-0003	Motor	X			
6	8106-035-0004	Motor		X		
6	8106-035-0005A	Motor			X	
6	8106-035-0006	Motor				X
7	8200-033	Motor Mount Band	X	X	X	X

This Table references Exploded View on Page 11

# OPTIONAL CLIMATE CONTROLS



SEXP-247

This Exploded View references Table on page 14

## OPTIONAL CLIMATE CONTROLS

### OPTIONAL CLIMATE CONTROL REPLACEMENT PARTS –

See table below to determine which Climate Control Option is installed:

Drawing No.	Part No.	Description	X Option	A Option	B Option	C Option	D Option
1	552-270-6	Blower Door	X				
1	552-268-6	Blower Door		X			X
1	552-269-6	Blower Door			X	X	
2	8403-037	Electronic/Non-Programmable/Manual Change Over		X	X	X	
3	8403-034	Electronic/Programmable/Manual/Auto Change Over					X
4	8612-016	Timer 4 Hours			X		
4	8612-015	Timer 6 Hours				X	
NS	4102-001	Wiring Diagram	X				
NS	4102-002	Wiring Diagram		X			
NS	4102-003	Wiring Diagram			X	X	
NS	4102-004	Wiring Diagram					X

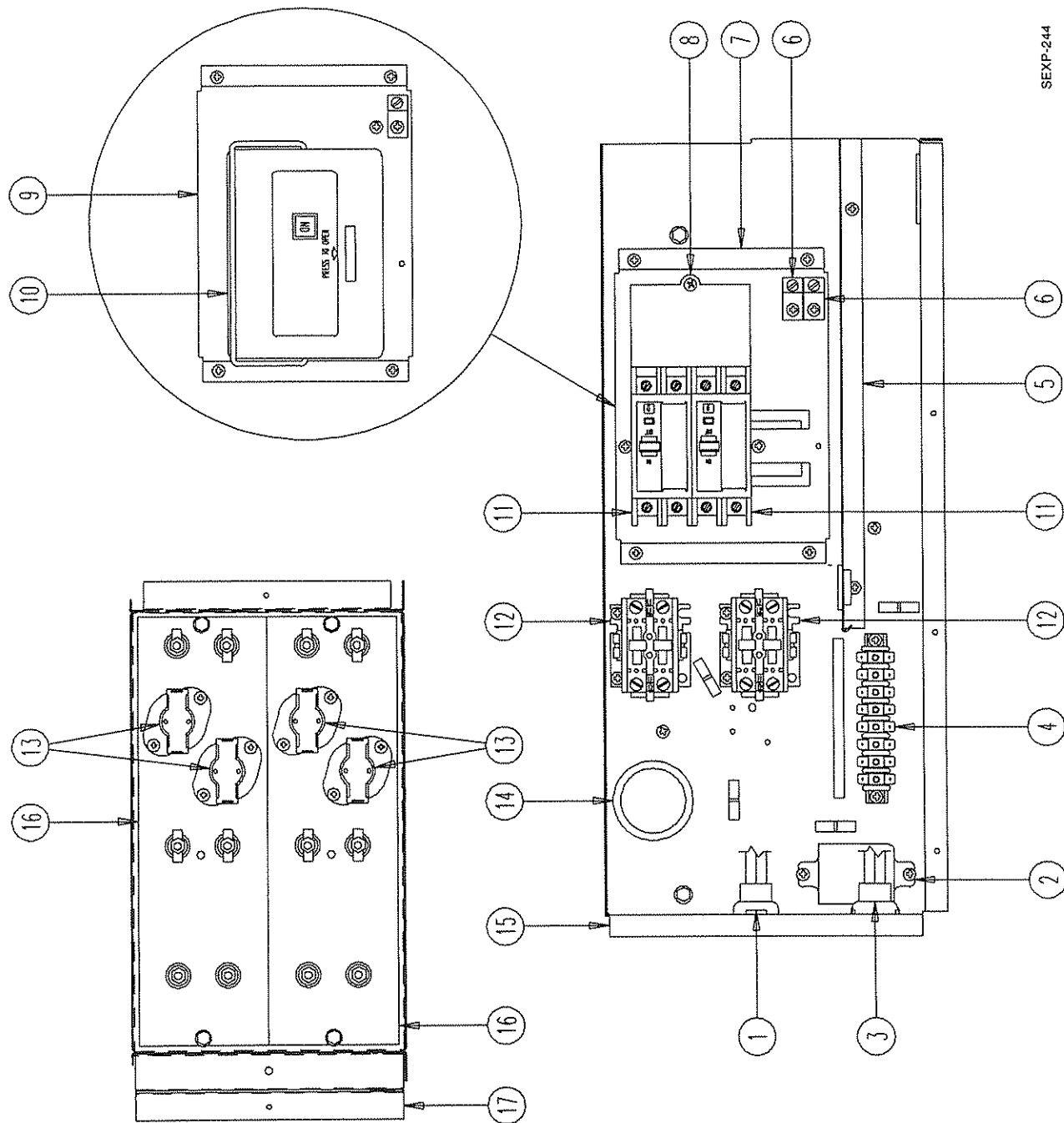
### CLIMATE CONTROL OPTION NOMENCLATURE AS SHOWN IN UNIT MODEL NUMBER

QH 361 - A 09 X X X X X X

- X – None
- A – Electronic, non-programmable, manual change over
- B – Electronic, non-programmable, manual change over, 4 hour timer
- C – Electronic, non-programmable, manual change over, 6 hour timer
- D – Electronic, programmable, manual/auto change over

This Table references Exploded View on Page 13

# OPTIONAL HEATER COMPONENTS



SEXP-244

This Exploded View references Tables on pages 16, 17 and 18





# OPTIONAL HEATER COMPONENTS

Drawing No.	Part No.	Description	QH241-B02	QH301-B02	QH361-B02	QH421-B02	QH481-B02	QH241-B06	QH301-B06	QH361-B06	QH421-B06	QH481-B06	QH241LB09	QH301LB09	QH361LB09	QH421LB09	QH481LB09
1	3000-1044	Wire Set	X	X	X	X	X	X	X	X	X	X	X	X	X	X	X
2	8201-048	Relay															
3	3000-1043	Wire Set	X	X	X	X	X	X	X	X	X	X	X	X	X	X	X
4	8607-022	Terminal Block	X	X	X	X	X	X	X	X	X	X	X	X	X	X	X
5	116-190	Box Partition	X	X	X	X	X	X	X	X	X	X	X	X	X	X	X
6	8611-006	Ground Lug	X	X	X	X	X	X	X	X	X	X	X	X	X	X	X
7	126-267	Circuit Breaker Base	X	X	X	X	X	X	X	X	X	X	X	X	X	X	X
11	8615-054	Circuit Breaker 3 Pole 20A		X													
11	8615-051	Circuit Breaker 3 Pole 25A															
11	8615-052	Circuit Breaker 3 Pole 30A															
11	8615-042	Circuit Breaker 3 Pole 35A															
11	8615-043	Circuit Breaker 3 Pole 40A															
11	8615-044	Circuit Breaker 3 Pole 45A															
11	8615-045	Circuit Breaker 3 Pole 50A															
11	8615-046	Circuit Breaker 3 Pole 60A															
12	8401-006	Contactors 2 Pole 20A															
13	8402-100	Limits															
14	8611-026	Snap Bushings 1-3/4	X	X	X	X	X	X	X	X	X	X	X	X	X	X	X
15	116-189	Heater Box	X	X	X	X	X	X	X	X	X	X	X	X	X	X	X
16	8604-105	Heat Strip 6 KW															
16	8604-106	Heat Strip 9 KW															
17	116-191	Heat Strip Wrapper	X	X	X	X	X	X	X	X	X	X	X	X	X	X	X
NS	132-145	Heat Strip Cover	X	X	X	X	X	X	X	X	X	X	X	X	X	X	X
NS	4101-200	Wiring Diagram	X	X	X	X	X	X	X	X	X	X	X	X	X	X	X
NS	4101-201	Wiring Diagram															
NS	4101-202	Wiring Diagram															
NS	4101-203	Wiring Diagram															
NS	4101-204	Wiring Diagram															

This Table references Exploded View on Page 15

NS Not Shown

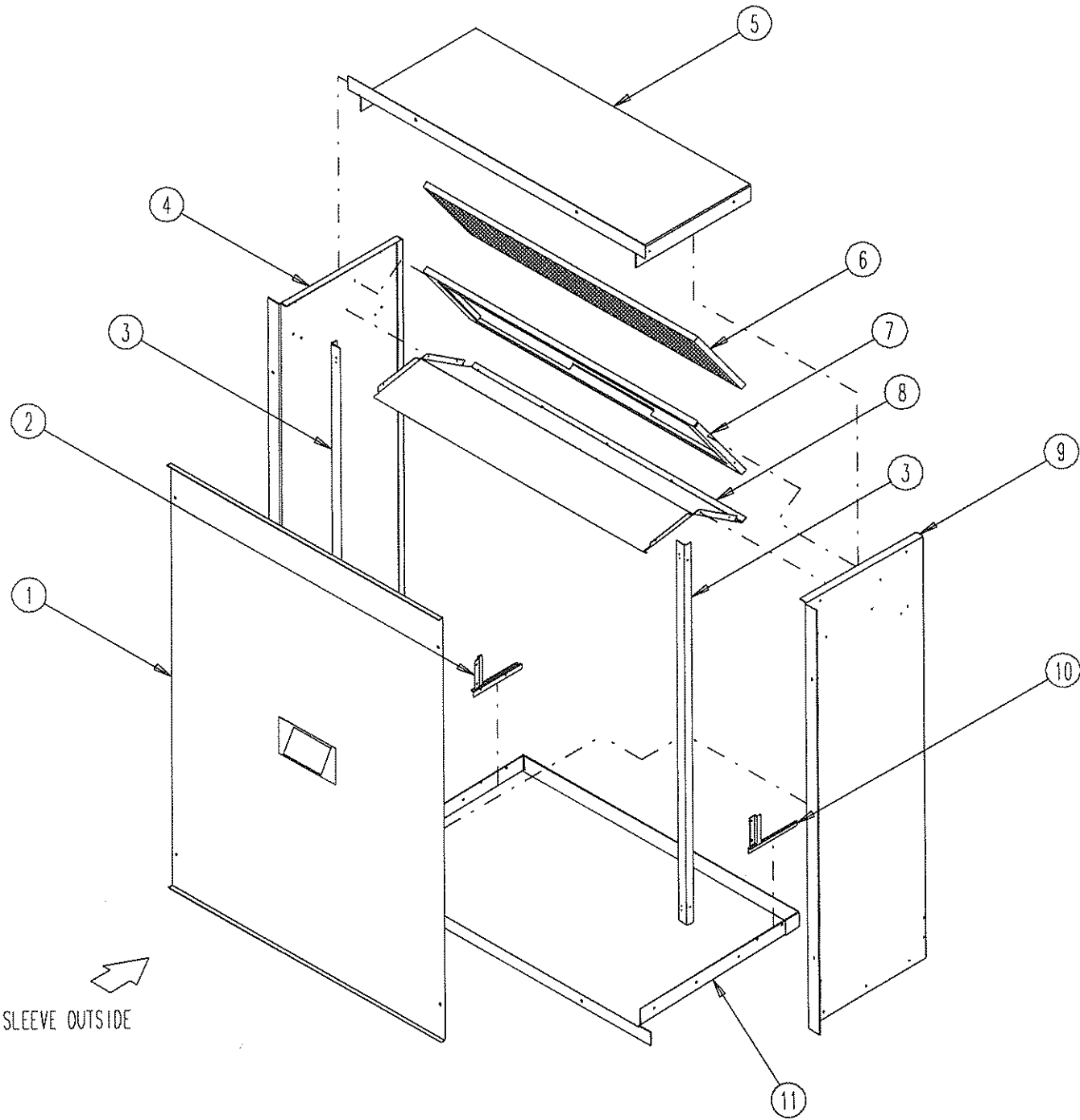
# OPTIONAL HEATER COMPONENTS

Drawing No.	Part No.	Description	QH241-C02	QH301-C02	QH361-C02	QH421-C02	QH481-C02	QH241-C06	QH301-C06	QH361-C06	QH421-C06	QH481-C06	QH241LC06	QH301LC06	QH361LC06	QH421LC06	QH481LC06	QH241LC09	QH301LC09	QH361LC09	QH421LC09	QH481LC09	
1	3000-1044	Wire Set	X																				
2	8201-048	Relay						X	X	X	X	X	X	X	X	X	X	X	X	X	X	X	X
3	3000-1043	Wire Set		X																			
4	8607-022	Terminal Block		X																			
5	116-190	Box Partition		X																			
6	8611-006	Ground Lug		X																			
9	126-269	Pull Disconnect Base		X																			
10	8615-053	Pull Disconnect		X																			
12	8401-002	Contactor 3 Pole 25A																					
13	8402-100	Limits						2	2	2	2	2	2	2	2	2	2	2	2	2	2	2	2
14	8611-026	Snap Bushings 1-3/4		X																			
15	116-189	Heater Box		X																			
16	8604-107	Heat Strip 6 KW 480V																					
16	8604-108	Heat Strip 9 KW 480V																					
17	116-191	Heat Strip Wrapper		X																			
NS	132-145	Heat Strip Cover		X																			
NS	4101-300	Wiring Diagram		X																			
NS	4101-301	Wiring Diagram																					
NS	4101-302	Wiring Diagram																					
NS	4101-303	Wiring Diagram																					
NS	4101-304	Wiring Diagram																					

NS Not Shown

This Table references Exploded View on Page 15

# WALL SLEEVE CABINET COMPONENTS



SEXP-281

This Exploded View references Table on pages 20

# WALL SLEEVE CABINET COMPONENTS

Drawing No.	Part No.	Description	QWS42	QWS42-16	QWS48
1	142-056	Cover	X	X	
1	142-068	Cover			X
2	136Y361	Left Side Seal Angle	X	X	X
3	104-988	Angle	2	2	2
4	110Y045	Left Side	X		X
4	110Y048	Left Side		X	
5	110-047	Top	X		
5	110-050	Top		X	
5	110-056	Top			X
6	7003-044	Mist Eliminator	X	X	X
7	130-120	Filter Tray	X	X	
7	130-128	Filter Tray			X
8	120-305	Partition	X		
8	120-309	Partition		X	
8	120-322	Partition			X
9	110X045	Right Side	X		X
9	110X048	Right Side		X	
10	136X361	Right Side Seal Angle	X	X	
10	136-404	Right Side Seal Angle			X
11	111-046	Base	X		
11	111-049	Base		X	
11	111-055	Base			X

This Table references Exploded View on Page 19