
Replacement Parts Manual

Q/TEC Series Packaged Heat Pump

Models:

QH241 QH301
QH361 QH421

General Notes

- Revised and/or additional pages may be issued from time to time.
- A complete and current manual consists of pages shown in the following contents section.

Contents

| Description | Page |
|--|------|
| Cabinet Components | |
| ♦ Exploded View | 1 |
| ♦ Usage List | 2 |
| Functional Components | |
| ♦ Exploded View | 3 |
| ♦ Usage List | 4 |
| ♦ Usage List | 5 |
| ♦ Blank Page | 6 |
| Control Panel Components | |
| ♦ Exploded View | 7 |
| ♦ Usage List | 8 |
| Blower Assembly Components | |
| ♦ Exploded View | 9 |
| ♦ Usage List | 10 |
| Optional Climate Control Components | |
| ♦ Exploded View | 11 |
| ♦ Usage List | 12 |
| Optional Heater Components | |
| ♦ Exploded View | 13 |
| ♦ Usage List | 14 |
| ♦ Usage List | 15 |
| ♦ Usage List | 16 |

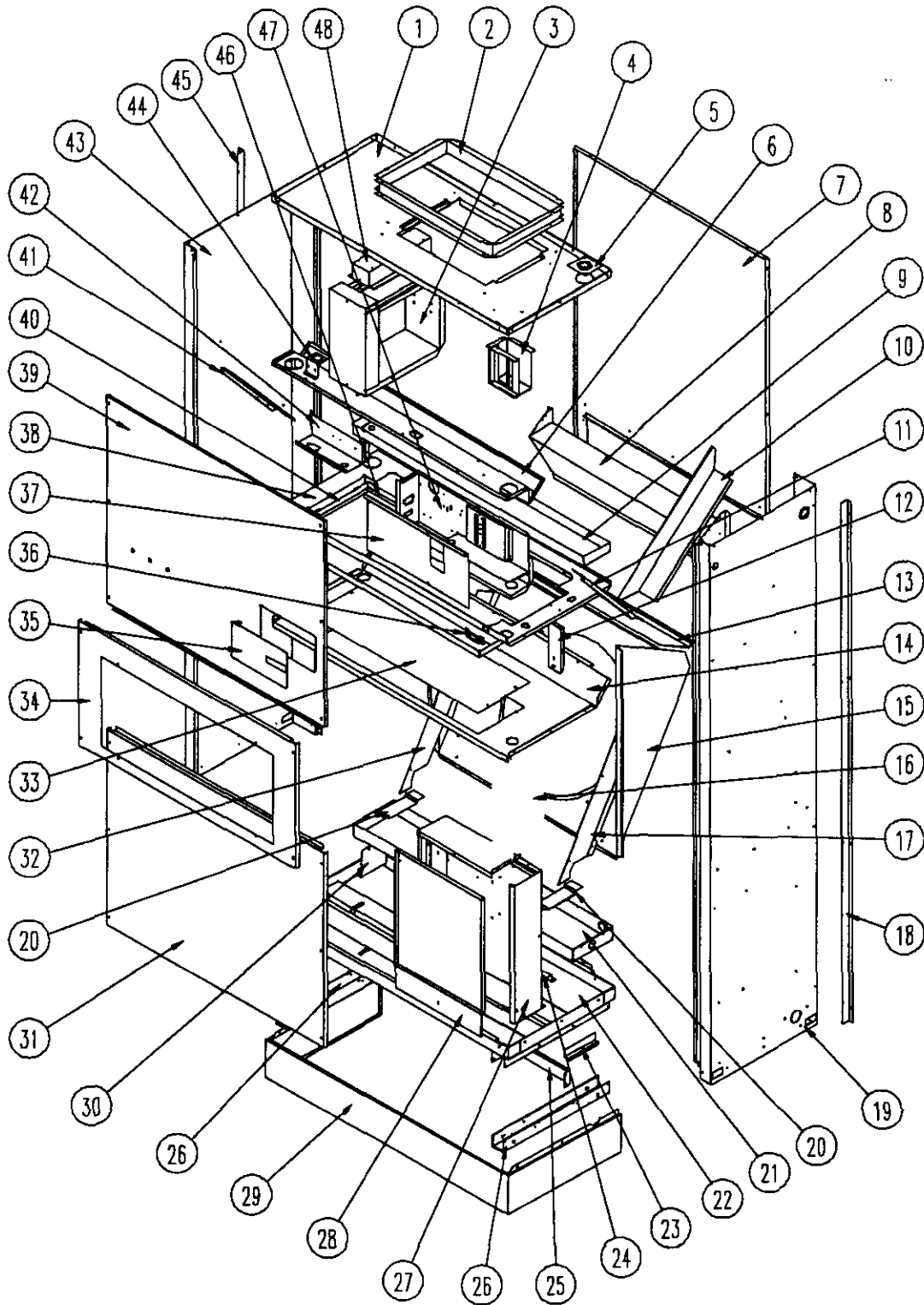


BARD MANUFACTURING COMPANY
Bryan, Ohio 43506

Since 1914...Moving ahead, just as planned.

Manual: 2110-523
Supersedes:
Date: 10/22/96

CABINET COMPONENTS



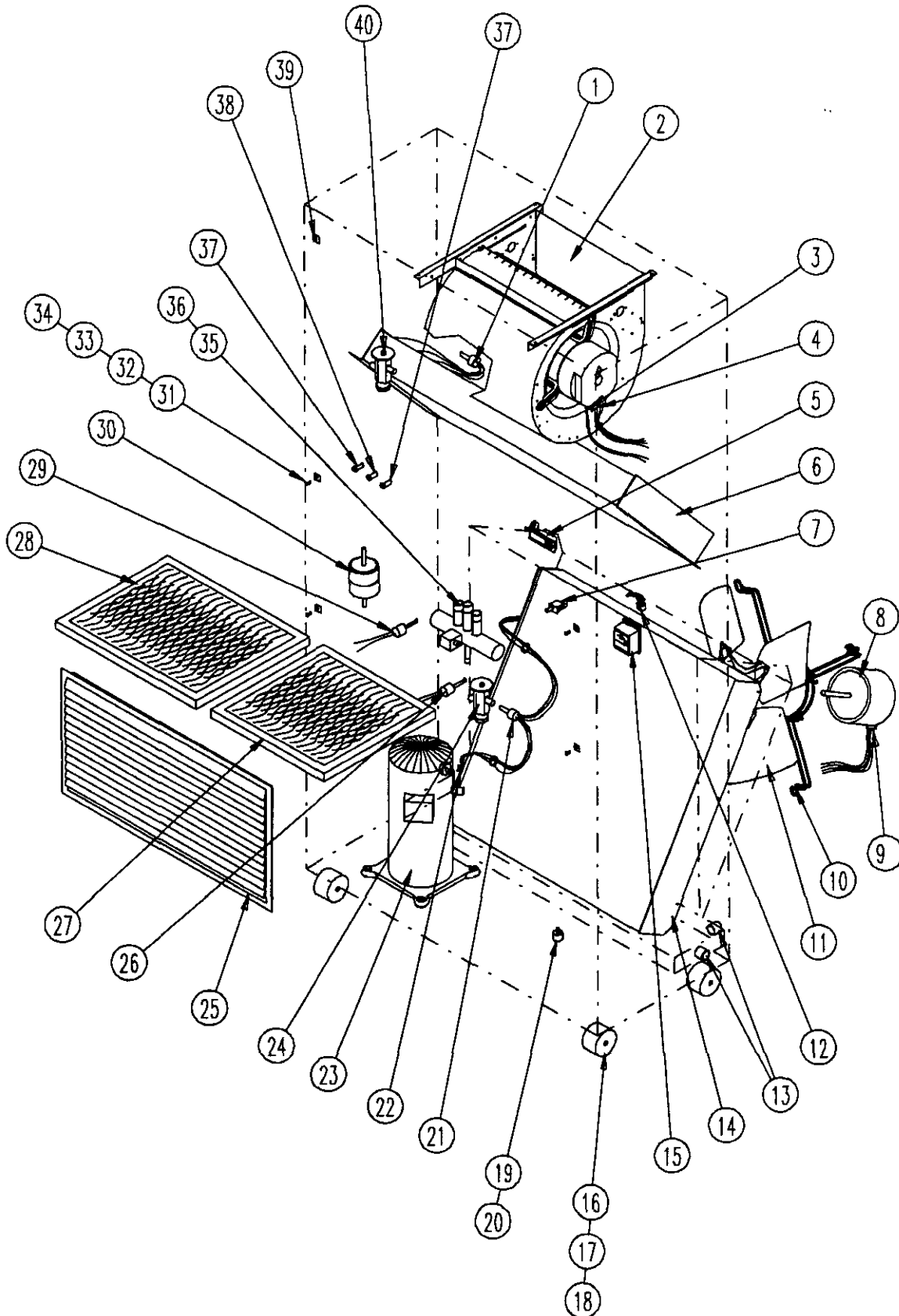
SEXP-239

CABINET COMPONENTS

| Drawing No. | Part No. | Description | QH241-A, B | QH241-C | QH301-A, B | QH301-C | QH361-A, B | QH361-C | QH421-A, B | QH421-C |
|-------------|---------------|---------------------------------|------------|---------|------------|---------|------------|---------|------------|---------|
| 1 | S506-187 | Top Assembly | X | X | X | X | X | X | X | X |
| 2 | 110-044 | Outlet Duct Flange | X | X | X | X | X | X | X | X |
| 3 | | Heater Package Assembly | X | X | X | X | X | X | X | X |
| 4 | 117-187 | Low Voltage Box Assembly | X | X | X | X | X | X | X | X |
| 5 | 136-359 | T. K. O. Plate | X | X | X | X | X | X | X | X |
| 6 | 534-153 | Evaporator Coil Shield Assembly | X | X | X | X | X | X | X | X |
| 7 | 508-133 | Back Assembly | X | X | X | X | X | X | X | X |
| 8 | S538-106 | Fresh Air Damper Assembly | X | X | X | X | X | X | X | X |
| 9 | 523-093 | Evaporator Drain Pan Assembly | X | X | X | X | X | X | X | X |
| 10 | 134-154 | Evaporator Wire Channel | X | X | X | X | X | X | X | X |
| 11 | 140X226 | Right Evaporator Support | X | X | X | X | X | X | X | X |
| 12 | 112-227 | Filter Sensor Bracket | X | X | X | X | X | X | X | X |
| 13 | 142-055 | Condenser Blank Off Plate | X | X | X | X | X | X | X | X |
| 14 | 520-304 | Condenser Partition Assembly | X | X | X | X | X | X | X | X |
| 15 | 124-030 | Fan Shroud | X | X | X | X | X | X | X | X |
| 16 | 140-228 | Wire Shield | X | X | X | X | X | X | X | X |
| 17 | 140X229 | Right Condenser Coil Support | X | X | X | X | X | X | X | X |
| 18 | 134-156-* (1) | Right Side Trim | X | X | X | X | X | X | X | X |
| 19 | 500-329-* (1) | Right Side Assembly | X | X | X | X | X | X | X | X |
| 20 | 140-227 | Subcooling Loop Hold Down | 2 | 2 | 2 | 2 | 2 | 2 | 2 | 2 |
| 21 | 123-094 | Condenser Drain Pan Assembly | X | X | X | X | X | X | X | X |
| 22 | 527-268 | Lower Base Assembly | X | X | X | X | X | X | X | X |
| 23 | 103-415 | Pile Seal Offset | X | X | X | X | X | X | X | X |
| 24 | 112-226 | Water Sensor Bracket | X | X | X | X | X | X | X | X |
| 25 | 134-152 | Base Shield | X | X | X | X | X | X | X | X |
| 26 | 140-225 | Lower Roller Support | X | X | X | X | X | X | X | X |
| 27 | | Control Panel Components | X | X | X | X | X | X | X | X |
| 28 | 132-142 | Control Panel Door | X | X | X | X | X | X | X | X |
| 29 | 534-155 | Base Trim Assembly | X | X | X | X | X | X | X | X |
| 30 | 140-230 | Drain Pan Support | X | X | X | X | X | X | X | X |
| 31 | 552-271-* (1) | Condenser Door Assembly | X | X | X | X | X | X | X | X |
| 32 | 140Y229 | Left Condenser Coil Support | X | X | X | X | X | X | X | X |
| 33 | 142-155 | Condenser Blank Off Plate | X | X | X | X | X | X | X | X |
| 34 | 552-266-* (1) | Filter Door Assembly | X | X | X | X | X | X | X | X |
| 35 | 152-265-* (1) | Circuit Breaker Door | X | X | X | X | X | X | X | X |
| 36 | 112-228 | Door Switch Bracket | X | X | X | X | X | X | X | X |
| 37 | | Pull Disconnect Door Inner | | X | | X | | X | | X |
| 37 | 132-143 | Circuit Breaker Door Inner | X | | X | | X | | X | |
| 38 | 130-118 | Filter Tray | X | X | X | X | X | X | X | X |
| 39 | 552-271 (1) | Blower Door Assembly | X | X | X | X | X | X | X | X |
| 40 | 130-118 | Filter Frame | X | X | X | X | X | X | X | X |
| 41 | 140Y226 | Left Evaporator Support | X | X | X | X | X | X | X | X |
| 42 | 116-192 | Relay Control Panel | X | X | X | X | X | X | X | X |
| 43 | 500-330-* (1) | Left Side Assembly | X | X | X | X | X | X | X | X |
| 44 | 113-142 | Expansion Valve Mounting Plate | X | X | X | X | X | X | X | X |
| 45 | 134-157-* (1) | Left Side Trim | X | X | X | X | X | X | X | X |
| 46 | 104-981 | Filter Frame Back | X | X | X | X | X | X | X | X |
| 47 | | Pull Disconnect Assembly | | X | | X | | X | | X |
| 47 | | Circuit Breaker Box Assembly | X | | X | | X | | X | |
| 48 | 112-229 | Heatstrip Bracket | X | X | X | X | X | X | X | X |

(1) Exterior cabinet parts are manufactured with various color options. To insure that you receive the proper color, you must include the complete models and serial number of the unit for which parts are being ordered.

FUNCTIONAL COMPONENTS



SEXP-240

FUNCTIONAL COMPONENTS

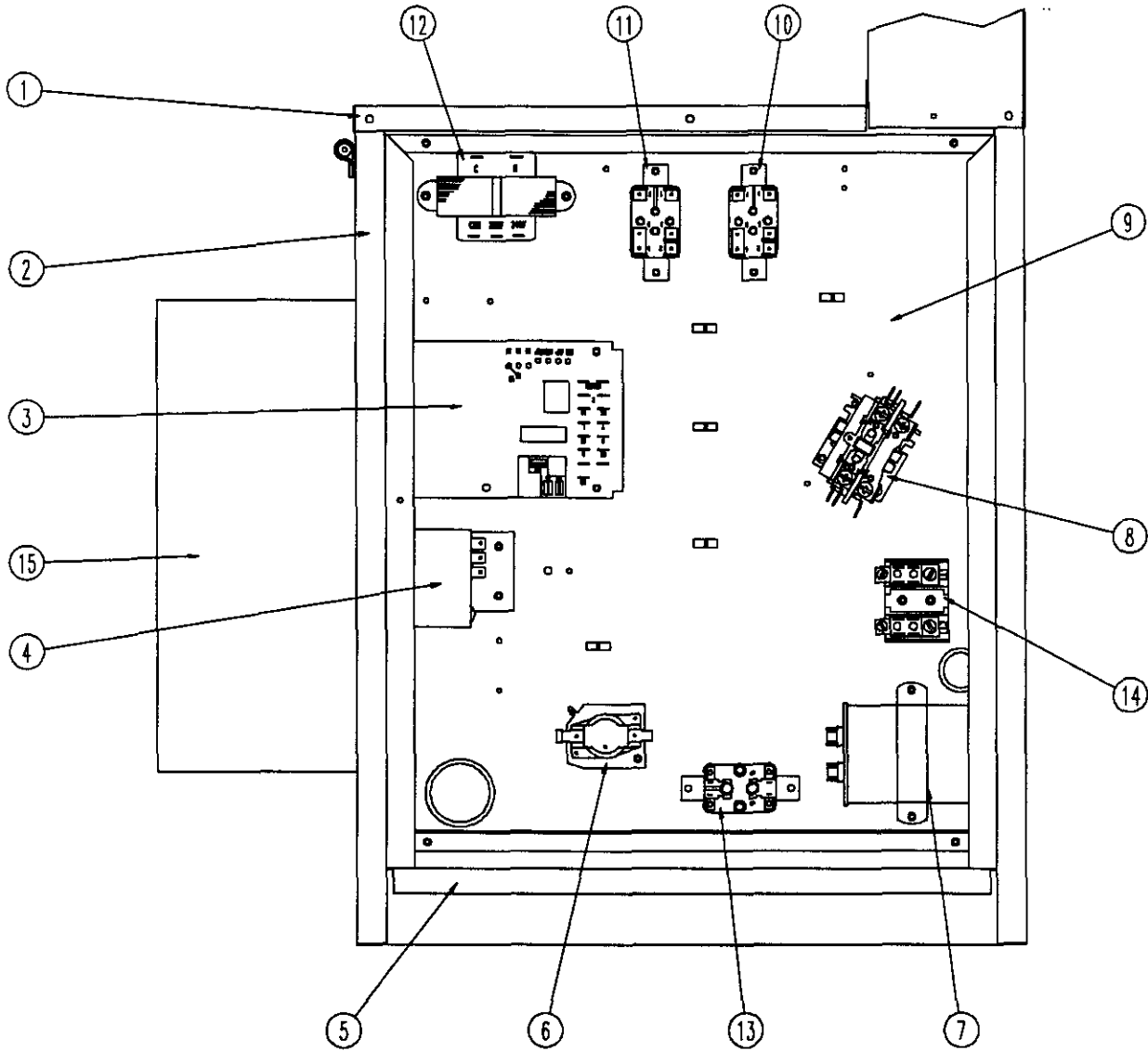
| Drawing | | | QH241-A | QH241-B | QH241-C | QH301-A | QH301-B | QH301-C | QH361-A | QH361-B | QH361-C | QH421-A | QH421-B | QH421-C |
|---------------------|-------------|-------------------------------|---------|---------|---------|---------|---------|---------|---------|---------|---------|---------|---------|---------|
| No. | Part No. | Description | | | | | | | | | | | | |
| 1 | 800-0247 | Distributor Cooling | X | X | X | X | X | X | | | | | | |
| 1 | 800-0248 | Distributor Cooling | | | | | | | X | X | X | X | X | X |
| 2 | 900-225-001 | Blower Assembly | X | X | X | | | | | | | | | |
| 2 | 900-225-002 | Blower Assembly | | | | X | X | X | | | | | | |
| 2 | 900-225-003 | Blower Assembly | | | | | | | X | X | | X | X | X |
| 3 | 3000-1046 | Wire Harness | X | X | X | X | X | X | X | X | X | X | X | X |
| 4 | 3000-1043 | Wire Harness | X | X | X | X | X | X | X | X | X | X | X | X |
| 5 | 1171-036 | Keylatch/Circuit Breaker Door | X | X | X | X | X | X | X | X | | | | |
| 6 | 5060-089 | Evaporator Coil | X | X | X | X | X | X | | | | | | |
| 6 | 5060-090 | Evaporator Coil | | | | | | | X | X | X | X | X | X |
| 7 | 8406-085 | Door Switch | X | X | X | X | X | X | X | X | X | X | X | X |
| 8 | 8103-021 | Motor | X | X | X | X | X | X | X | X | X | X | X | X |
| 9 | 3000-1049 | Wire Harness | X | X | X | X | X | X | X | X | X | X | X | X |
| 10 | 8200-001 | Motor Mount | X | X | X | X | X | X | X | X | X | X | X | X |
| 11 | 5151-050 | Fan Blade | X | X | X | X | X | X | X | X | X | X | X | X |
| 12 | 300-1047 | Wire Harness | X | X | X | X | X | X | X | X | X | X | X | X |
| 13 | 6094-003 | Drain Fitting | X | X | X | X | X | X | X | X | X | X | X | X |
| 14 | 5051-095 | Condenser Coil | X | X | X | X | X | X | | | | | | |
| 14 | 5051-096 | Condenser Coil | | | | | | | X | X | X | X | X | X |
| 15 | 8301-011 | Dirty Filter Switch | X | X | X | X | X | X | X | X | X | X | X | X |
| 16 | 1171-035 | Wheel | 4 | 4 | 4 | 4 | 4 | 4 | 4 | 4 | 4 | 4 | 4 | 4 |
| 17 | 1012-129 | Bolt - Shoulder | 4 | 4 | 4 | 4 | 4 | 4 | 4 | 4 | 4 | 4 | 4 | 4 |
| 18 | 1012-224 | Nut - Locking | 4 | 4 | 4 | 4 | 4 | 4 | 4 | 4 | 4 | 4 | 4 | 4 |
| 19 | 8406-083 | Water Level Switch | X | X | X | X | X | X | X | X | X | X | X | X |
| 20 | 1012-316 | Nut - Water Level Switch | X | X | X | X | X | X | X | X | X | X | X | X |
| 21 | 800-0249 | Distributor - Heating | X | X | X | X | X | X | | | | | | |
| 21 | 800-0250 | Distributor - Heating | | | | | | | X | X | X | X | X | X |
| 22 | 910-1257 | Defrost Sensor | X | X | X | X | X | X | X | X | X | X | X | X |
| 23 | 8000-171 | Compressor | X | | | | | | | | | | | |
| 23 | 8000-201 | Compressor | | X | | | | | | | | | | |
| 23 | 8000-202 | Compressor | | | X | | | | | | | | | |
| 23 | 8000-172 | Compressor | | | | X | | | | | | | | |
| 23 | 8000-203 | Compressor | | | | | X | | | | | | | |
| 23 | 8000-204 | Compressor | | | | | | X | | | | | | |
| 23 | 8000-175 | Compressor | | | | | | | X | | | | | |
| 23 | 8000-163 | Compressor | | | | | | | | X | | | | |
| 23 | 8000-164 | Compressor | | | | | | | | | X | | | |
| 23 | 8000-177 | Compressor | | | | | | | | | | X | | |
| 23 | 8000-205 | Compressor | | | | | | | | | | | X | |
| 23 | 8000-206 | Compressor | | | | | | | | | | | | X |
| 24 | 5651-137 | TXV Heating | X | X | X | | | | | | | | | |
| 24 | 5651-138 | TXV Heating | | | | X | X | X | | | | | | |
| 24 | 5651-102 | TXV Heating | | | | | | | X | X | X | X | X | X |
| 25 | 7051-034 | Return Air Grille | X | X | X | X | X | X | X | X | X | X | X | X |
| 26 | 8406-055 | High Pressure Control | X | X | X | X | X | X | X | X | X | X | X | X |
| 27 | 7004-009 | Air Filter | X | X | X | X | X | X | X | X | X | X | X | X |
| 28 | 7004-010 | Air Filter | X | X | X | X | X | X | X | X | X | X | X | X |
| 29 | 8406-061 | Low Pressure Control | X | X | X | X | X | X | X | X | X | X | X | X |
| 30 | 5201-009 | Filter/Drier | X | X | X | X | X | X | X | X | X | X | X | X |
| Continued on Page 5 | | | | | | | | | | | | | | |

FUNCTIONAL COMPONENTS

| Drawing | | | QH241-A | QH241-B | QH241-C | QH301-A | QH301-B | QH301-C | QH361-A | QH361-B | QH361-C | QH421-A | QH421-B | QH421-C |
|---------|----------|--------------------------|---------|---------|---------|---------|---------|---------|---------|---------|---------|---------|---------|---------|
| No. | Part No. | Description | | | | | | | | | | | | |
| 31 | 1171-038 | Cupped Washer Black | 4 | 4 | 4 | 4 | 4 | 4 | 4 | 4 | 4 | 4 | 4 | 4 |
| 32 | 1171-024 | Retainer Clip | 4 | 4 | 4 | 4 | 4 | 4 | 4 | 4 | 4 | 4 | 4 | 4 |
| 33 | 1171-040 | 1/4 Turn Screw | 4 | 4 | 4 | 4 | 4 | 4 | 4 | 4 | 4 | 4 | 4 | 4 |
| 34 | 1171-037 | Clip Receptacle | 4 | 4 | 4 | 4 | 4 | 4 | 4 | 4 | 4 | 4 | 4 | 4 |
| 35 | 5650-020 | Reversing Valve | X | X | X | | | | | | | | | |
| 35 | 5650-021 | Reversing Valve | | | | X | X | X | X | X | X | | | |
| 35 | 5650-025 | Reversing Valve | | | | | | | | | | X | X | X |
| 36 | 5650-022 | Solenoid Coil | X | X | X | X | X | X | X | X | X | X | X | X |
| 37 | 8611-094 | Indicator Light - Red | 2 | 2 | 2 | 2 | 2 | 2 | 2 | 2 | 2 | 2 | 2 | 2 |
| 38 | 8611-095 | Indicator Light - Yellow | X | X | X | X | X | X | X | X | X | X | X | X |
| 39 | 1012-315 | "U" Clip Fastener | 12 | 12 | 12 | 12 | 12 | 12 | 12 | 12 | 12 | 12 | 12 | 12 |
| 40 | 5651-137 | TXV Cooling | X | X | X | | | | | | | | | |
| 40 | 5651-138 | TXV Cooling | | | | X | X | X | | | | | | |
| 40 | 5651-102 | TXV Cooling | | | | | | | X | X | X | X | X | X |

This page has been left blank intentionally.

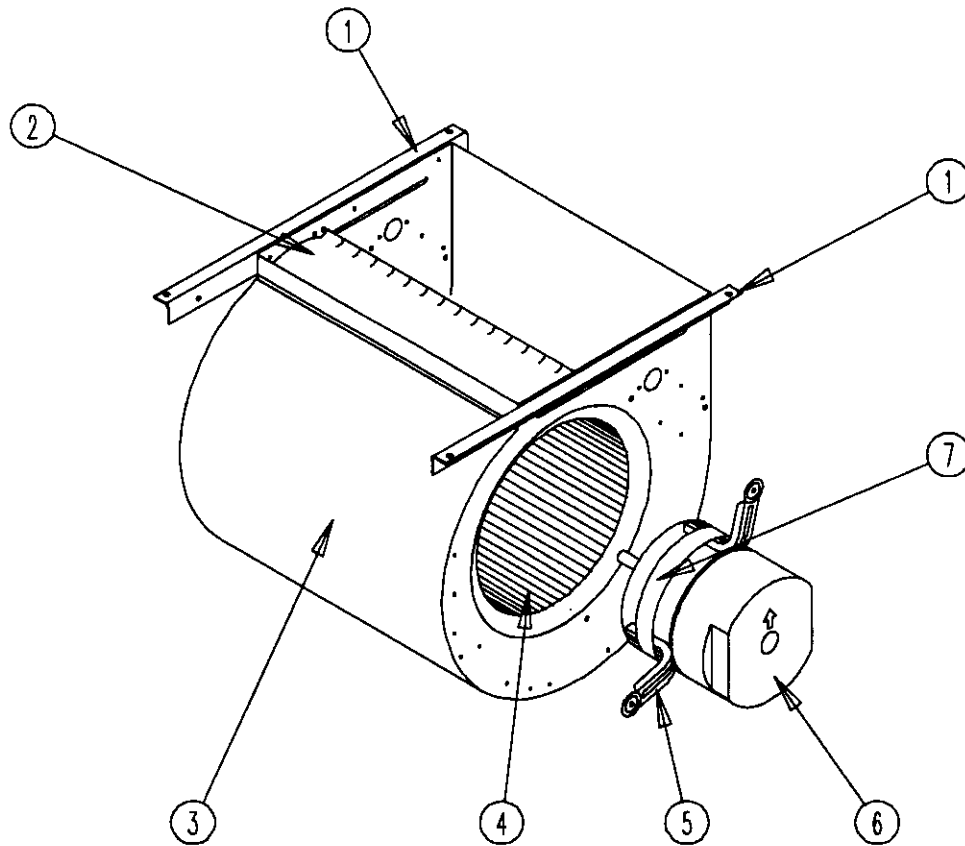
CONTROL PANEL COMPONENTS



CONTROL PANEL COMPONENTS

| Drawing | | | QH241-A | QH241-B | QH241-C | QH301-A | QH301-B | QH301-C | QH361-A | QH361-B | QH361-C | QH421-A | QH421-B | QH421-C |
|---------|----------|---|---------|---------|---------|---------|---------|---------|---------|---------|---------|---------|---------|---------|
| No. | Part No. | Description | | | | | | | | | | | | |
| 1 | 116-186 | Control Panel Top | X | X | X | X | X | X | X | X | X | X | X | X |
| 2 | 116-184 | Control Panel | X | X | X | X | X | X | X | X | X | X | X | X |
| 3 | 8201-069 | Heat Pump Control | X | X | X | X | X | X | X | X | X | X | X | X |
| 4 | 8408-034 | Outdoor Thermostat Condenser Motor Two Speed | X | X | X | X | X | X | X | X | X | X | X | X |
| 5 | 126-266 | Control Panel Base | X | X | X | X | X | X | X | X | X | X | X | X |
| 6 | 8210-065 | Low Pressure Bypass TDR | X | X | X | X | X | X | X | X | X | X | X | X |
| 7 | 8552-002 | Capacitor | | X | X | | X | X | | X | X | | X | X |
| 7 | 8552-050 | Capacitor | X | | | | | | | | | | | |
| 7 | 8552-052 | Capacitor | | | | X | | | | | | | | |
| 7 | 8552-063 | Capacitor | | | | | | | X | | | | | |
| 7 | 8552-062 | Capacitor | | | | | | | | | | X | | |
| 8 | 8401-007 | Contactora | X | | | X | | | X | | | X | | |
| 8 | 8401-002 | Contactora | | X | X | | X | X | | X | X | | X | X |
| 9 | 116-186 | Control Panel Mounting Plate | X | X | X | X | X | X | X | X | X | X | X | X |
| 10 | 8201-062 | Relay SPDT Pilot Duty | X | X | X | X | X | X | X | X | X | X | X | X |
| 11 | 8201-009 | Blower Relay | X | X | X | X | X | X | X | X | X | X | X | X |
| 12 | 8407-035 | Transformer | X | X | X | X | X | X | X | X | X | X | X | X |
| 13 | 8201-008 | Fan Relay | | | X | | | X | | | X | | | X |
| 14 | 8607-013 | Terminal Block Two Terminals | | | X | | | X | | | X | | | X |
| 15 | 8407-003 | Transformer Stepdown | | | X | | | X | | | X | | | X |

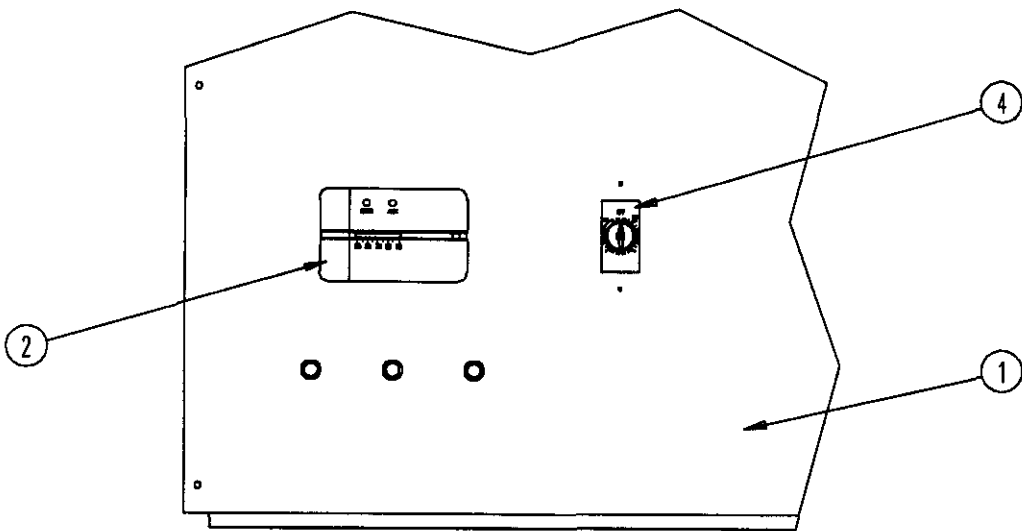
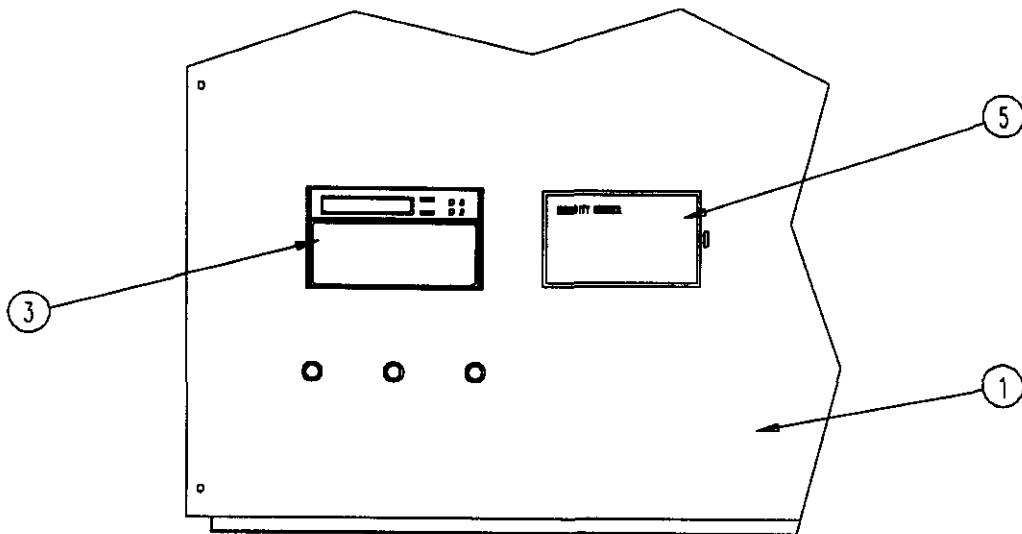
BLOWER ASSEMBLY COMPONENTS



BLOWER ASSEMBLY COMPONENTS

| Drawing No. | Part No. | Description | 900-225-001 | 900-225-002 | 900-225-003 |
|----------------|---------------|------------------|-------------|-------------|-------------|
| 1 | 104-980 | Blower Angle | 2 | 2 | 2 |
| 2 | 144-131 | Diffuser | X | X | X |
| 3 | 151-110 | Blower Housing | X | X | X |
| 4 | 5152-061 | Blower Wheel | X | X | X |
| 5 | 8200-034 | Motor Mount Arm | 3 | 3 | 3 |
| 6 | 8106-035-0003 | Motor | X | | |
| 6 | 8106-035-0004 | Motor | | X | |
| 6 | 8106-035-0005 | Motor | | | X |
| 7 | 8200-033 | Motor Mount Band | X | X | X |

OPTIONAL CLIMATE CONTROLS



OPTIONAL CLIMATE CONTROLS

OPTIONAL CLIMATE CONTROL REPLACEMENT PARTS –

See table below to determine which Climate Control Option is installed:

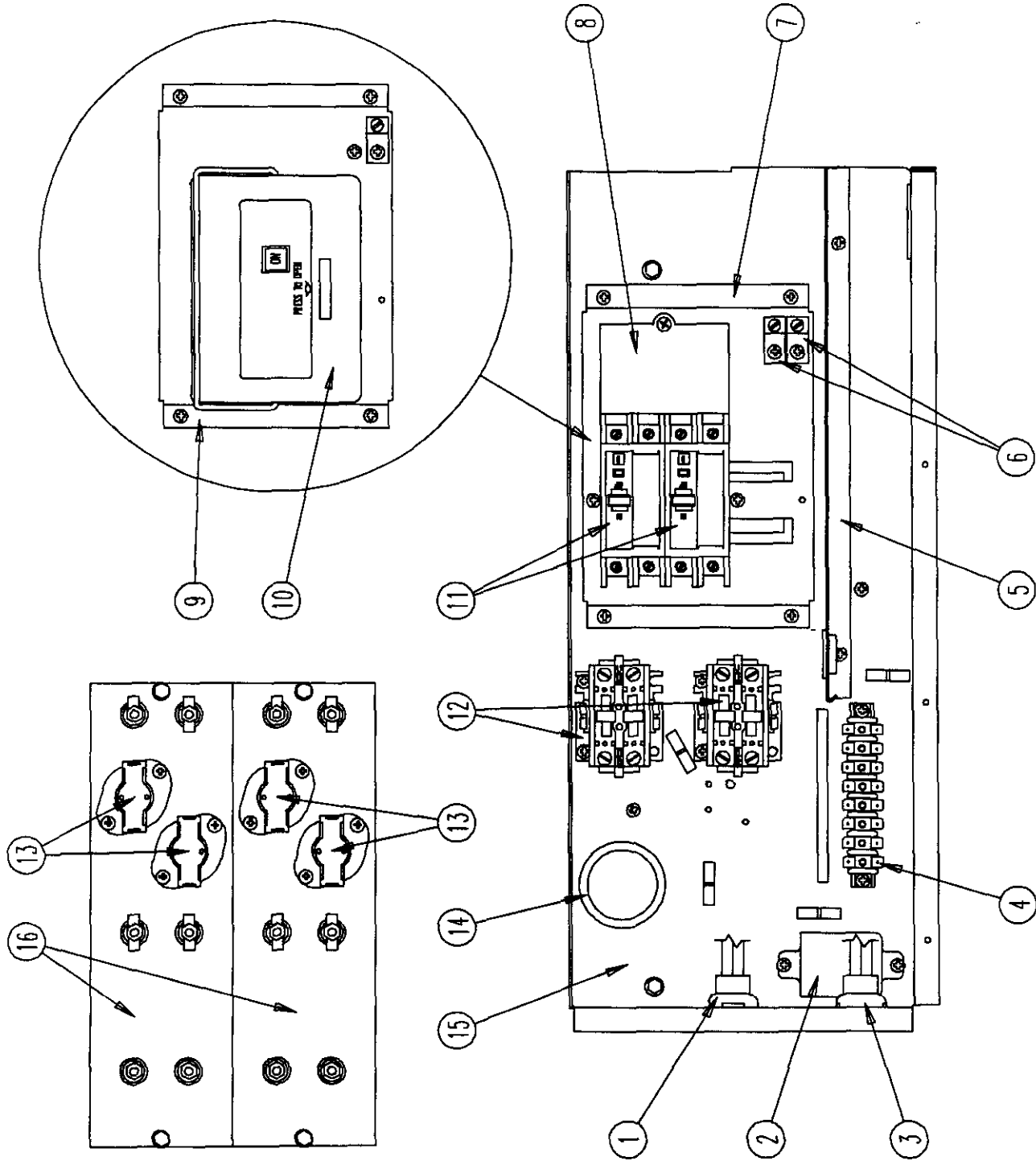
| Drawing No. | Part No. | Description | Option X | Option A | Option B | Option C | Option D | Option E |
|-------------|-----------|---|----------|----------|----------|----------|----------|----------|
| 1 | 552-270-6 | Blower Door | X | | | | | |
| 1 | 552-268-6 | Blower Door | | X | | | X | |
| 1 | 552-269-6 | Blower Door | | | X | X | | |
| 1 | 552-272-6 | Blower Door | | | | | | X |
| 2 | 8403-037 | Electronic/Non-Programmable/Manual Change Over | | X | X | X | | |
| 3 | 8403-034 | Electronic/Programmable/Manual/Auto Change Over | | | | | X | X |
| 4 | 8612-016 | Timer 4 Hours | | | X | | | |
| 4 | 8612-015 | Timer 6 Hours | | | | X | | |
| 5 | 8403-038 | Humidistat | | | | | | X |

CLIMATE CONTROL OPTION NOMENCLATURE AS SHOWN IN UNIT MODEL NUMBER

QH 361- A 09 X X X X X X

- X – None
- A – Electronic, non-programmable, manual change over
- B – Electronic, non-programmable, manual change over, 4 hour timer
- C – Electronic, non-programmable, manual change over, 6 hour timer
- D – Electronic, programmable, manual/auto change over
- E – Electronic, programmable, manual/auto change over, humidistat

OPTIONAL HEATER COMPONENTS



SEXP-244

OPTIONAL HEATER COMPONENTS

| Drawing | | | QH241-A0Z | QH301-A0Z | QH241-A05 | QH301-A05 | QH241-A10 | QH301-A10 | QH241-B0Z | QH301-B0Z | QH241-B06 | QH301-B06 | QH241-B09 | QH301-B09 | QH301-B12 |
|---------|-----------|-----------------------------|-----------|-----------|-----------|-----------|-----------|-----------|-----------|-----------|-----------|-----------|-----------|-----------|-----------|
| No. | Part No. | Description | | | | | | | | | | | | | |
| 1 | 3000-1044 | Wire Set | X | X | X | X | X | X | X | X | X | X | X | X | X |
| 2 | | Relay | | | | | | | | | | | | | |
| 3 | 3000-1043 | Wire Set | X | X | X | X | X | X | X | X | X | X | X | X | X |
| 4 | 8607-022 | Terminal Block | X | X | X | X | X | X | X | X | X | X | X | X | X |
| 5 | 116-190 | Box Partition | X | X | X | X | X | X | X | X | X | X | X | X | X |
| 6 | 8611-006 | Ground Lug | X | X | X | X | X | X | X | X | X | X | X | X | X |
| 7 | 126-267 | Circuit Breaker Base | X | X | X | X | X | X | X | X | X | X | X | X | X |
| 8 | 8615-047 | Jumper Bar Base | | | X | | | | | | | | | | |
| 11 | 8615-037 | Circuit Breaker 30A 2-Pole | X | | X | | | | | | | | | | |
| 11 | 8615-040 | Circuit Breaker 50A 2-Pole | | X | X | | | | | | | | | | |
| 11 | 8615-054 | Circuit Breaker 20A 2-Pole | | | | X | | | | | | | | | |
| 11 | 8615-042 | Circuit Breaker 35A 3-Pole | | | | | | | | X | | | | | |
| 11 | 8615-051 | Circuit Breaker 25A 3-Pole | | | | | | | X | | | | | | |
| 11 | 8615-043 | Circuit Breaker 40A 3-Pole | | | | | | | | | X | | | | |
| 11 | 8615-044 | Circuit Breaker 45A 3-Pole | | | | | | | | | | X | | | |
| 11 | 8615-046 | Circuit Breaker 60A 3-Pole | | | | | | | | | | | X | | X |
| 12 | 8401-006 | Contacto 2-Pole 20A | | X | X | | | | | | X | X | X | X | |
| 14 | 8611-026 | Snap Bushings 1-3/4 | X | X | X | X | X | X | X | X | X | X | X | X | X |
| 15 | 116-189 | Box Circuit/Pull Disconnect | X | X | X | X | X | X | X | X | X | X | X | X | X |
| 16 | 8604-103 | Heat Strip 5 KW | | X | | | | | | | | | | | |
| 16 | 8604-104 | Heat Strip 10 KW | | | X | | | | | | | | | | |
| 16 | 8604-105 | Heat Strip 6 KW 3 PH | | | | | | | | X | X | | | | X |
| 16 | 8604-106 | Heat Strip 9 KW 3 PH | | | | | | | | | | | X | | |
| | 4101-100 | Wiring Diagram | X | | | | | | | | | | | | |
| | 4101-101 | Wiring Diagram | | X | | | | | | | | | | | |
| | 4101-102 | Wiring Diagram | | | X | | | X | | | | | | | |
| | 4101-103 | Wiring Diagram | | | | | | X | | | | | | | |
| | 4101-200 | Wiring Diagram | | | | | | | X | | | | | | |
| | 4101-201 | Wiring Diagram | | | | | | | | X | X | | X | | |
| | 4101-203 | Wiring Diagram | | | | | | | | | | | | | X |

OPTIONAL HEATER COMPONENTS

| Drawing No. | Part No. | Description | QH241-C0Z QH301-C0Z | QH241-C06 QH301-C06 | QH241-C09 QH301-C09 | QH301-C12 | QH361-A0Z | QH421-A0Z | QH361-A05 QH421-A05 | QH361-A10 QH421-A10 | QH361-A15 QH421-A15 |
|-------------|-----------|-----------------------------|------------------------|------------------------|------------------------|-----------|-----------|-----------|------------------------|------------------------|------------------------|
| 1 | 3000-1044 | Wire Set | X | X | X | X | X | X | X | X | X |
| 2 | 8201-048 | Relay | | | | | | | | | X |
| 3 | 3000-1043 | Wire Set | X | X | X | X | X | X | X | X | X |
| 4 | 8607-022 | Terminal Block | X | X | X | X | X | X | X | X | X |
| 5 | 116-190 | Box Partition | X | X | X | X | X | X | X | X | X |
| 6 | 8611-006 | Ground Lug | X | X | X | X | X | X | X | X | X |
| 7 | 126-267 | Circuit Breaker Base | X | X | X | X | X | X | X | X | X |
| 8 | 8615-047 | Jumper Bar Base | | | | | | | | X | X |
| 9 | 126-269 | Pull Disconnect Base | X | X | X | X | | | | | |
| 10 | 8615-053 | Pul Disconnect | X | X | X | X | | | | | |
| 11 | 8615-039 | Circuit Breaker 45A 2-Pole | | | | | X | | | | |
| 11 | 8615-040 | Circuit Breaker 50A 2-Pole | | | | | | X | | X | X |
| 11 | 8615-041 | Circuit Breaker 60A 2-Pole | | | | | | | X | | |
| 11 | 8615-044 | Circuit Breaker 40A 2-Pole | | | | | | | | X | X |
| 12 | 8401-006 | Contacto 2-Pole 20A | | X | X | X | | | X | X | X |
| 13 | 8402-100 | Limits | | X | X | X | X | | X | X | X |
| 14 | 8611-026 | Snap Bushings 1-3/4 | X | X | X | X | X | X | X | X | X |
| 15 | 116-189 | Box Circuit/Pull Disconnect | X | X | X | X | X | X | X | X | X |
| 16 | 8604-103 | Heat Strip 5 KW | | | | | | | X | | X |
| 16 | 8604-104 | Heat Strip 10 KW | | | | | | | | X | X |
| 16 | 8604-105 | Heat Strip 6 KW 480 V | | X | | X | | | | | |
| 16 | 8604-106 | Heat Strip 9 KW 480 V | | | X | | | | | | |
| | 4101-100 | Wiring Diagram | | | | | X | X | | | |
| | 4101-101 | Wiring Diagram | | | | | | | X | | |
| | 4101-102 | Wiring Diagram | | | | | | | | X | |
| | 4101-103 | Wiring Diagram | | | | | | | | | X |
| | 4101-300 | Wiring Diagram | X | | | | | | | | |
| | 4101-301 | Wiring Diagram | | X | X | | | | | | |
| | 4101-303 | Wiring Diagram | | | | X | | | | | X |

OPTIONAL HEATER COMPONENTS

| Drawing | | | QH361-B0Z | QH421-B0Z | QH361-B06 | QH421-B06 | QH361-B09 | QH421-B09 | QH361-B15 | QH421-B15 | QH361-C0Z | QH421-C0Z | QH361-C06 | QH421-C06 | QH361-C09 | QH421-C09 | QH361-C15 | QH421-C15 |
|---------|-----------|-----------------------------|-----------|-----------|-----------|-----------|-----------|-----------|-----------|-----------|-----------|-----------|-----------|-----------|-----------|-----------|-----------|-----------|
| No. | Part No. | Description | | | | | | | | | | | | | | | | |
| 1 | 3000-1044 | Wire Set | X | X | X | X | X | X | X | X | X | X | X | X | X | X | X | X |
| 2 | 8401-048 | Relay | | | | | | | X | | | | | | | | | X |
| 3 | 3000-1043 | Wire Set | X | X | X | X | X | X | X | X | X | X | X | X | X | X | X | X |
| 4 | 8607-022 | Terminal Block | X | X | X | X | X | X | X | X | X | X | X | X | X | X | X | X |
| 5 | 116-190 | Box Partition | X | X | X | X | X | X | X | X | X | X | X | X | X | X | X | X |
| 6 | 8611-006 | Ground Lug | X | X | X | X | X | X | X | X | X | X | X | X | X | X | X | X |
| 7 | 126-267 | Circuit Breaker Base | X | X | X | X | X | X | | | | | | | | | | |
| 8 | 8615-047 | Jumper Bar Base | | | | | | | | | | | | | | | | |
| 9 | 126-269 | Pull Disconnect Base | | | | | | | | | X | X | X | X | X | X | X | X |
| 10 | 8615-053 | Pul Disconnect | | | | | | | | | X | X | X | X | X | X | X | X |
| 11 | 8615-039 | Circuit Breaker 45A 3-Pole | | | X | | | | | | | | | | | | | |
| 11 | 8615-040 | Circuit Breaker 50A 3-Pole | | | | X | | | | | | | | | | | | |
| 11 | 8615-041 | Circuit Breaker 60A 3-Pole | | | | | X | | | | | | | | | | | |
| 11 | 8615-044 | Circuit Breaker 30A 3-Pole | X | | | | | | X | | | | | | | | | X |
| 12 | 8401-006 | Contactactor 2-Pole 20A | | | X | X | X | X | | | | | | | | | | |
| 12 | 8401-002 | Contactactor 3-Pole 25A | | | | | | | | | | X | X | X | X | X | X | X |
| 13 | 8402-100 | Limits | | | X | X | X | X | | | | X | X | X | X | X | X | X |
| 14 | 8611-026 | Snap Bushings 1-3/4 | X | X | X | X | X | X | X | X | X | X | X | X | X | X | X | X |
| 15 | 116-189 | Box Circuit/Pull Disconnect | X | X | X | X | X | X | X | X | X | X | X | X | X | X | X | X |
| 16 | 8604-103 | Heat Strip 6 KW 3 PH | | | X | | | | X | | | | | | | | | |
| 16 | 8604-104 | Heat Strip 9 KW 3 PH | | | | X | | | X | | | | | | | | | |
| 16 | 8604-105 | Heat Strip 6 KW 480 V | | | | | | | | | | X | | | | | | X |
| 16 | 8604-106 | Heat Strip 9 KW 480 V | | | | | | | | | | | X | | | X | | X |
| | 4101-200 | Wiring Diagram | X | | | | | | | | | | | | | | | |
| | 4101-201 | Wiring Diagram | | X | | X | | | | | | | | | | | | |
| | 4101-202 | Wiring Diagram | | | | | | X | | | | | | | | | | |
| | 4101-300 | Wiring Diagram | | | | | | | | X | | | | | | | | |
| | 4101-301 | Wiring Diagram | | | | | | | | | X | | X | | X | | | |
| | 4101-302 | Wiring Diagram | | | | | | | | | | | | | | | | X |

