
Replacement Parts Manual

WALL MOUNTED PACKAGE HEAT PUMPS

MODELS: WH182
WH241

General Notes

- Revised and/or additional pages may be issued from time to time.
- A complete and current manual consists of pages shown in the following contents section.

Important

- Contact the installing and/or local Bard distributor for all parts requirements. Make sure you have the complete model and serial number available from the unit rating plates.

Contents

Description	Page
Cabinet Components	
♦ Exploded View	1
♦ Usage List	2
Functional Components	
♦ Exploded View	3
♦ Usage List	4
Control Panel	
♦ Exploded View	5
♦ Usage List	6
Blower Assembly	
♦ Exploded View	7
♦ Usage List	7

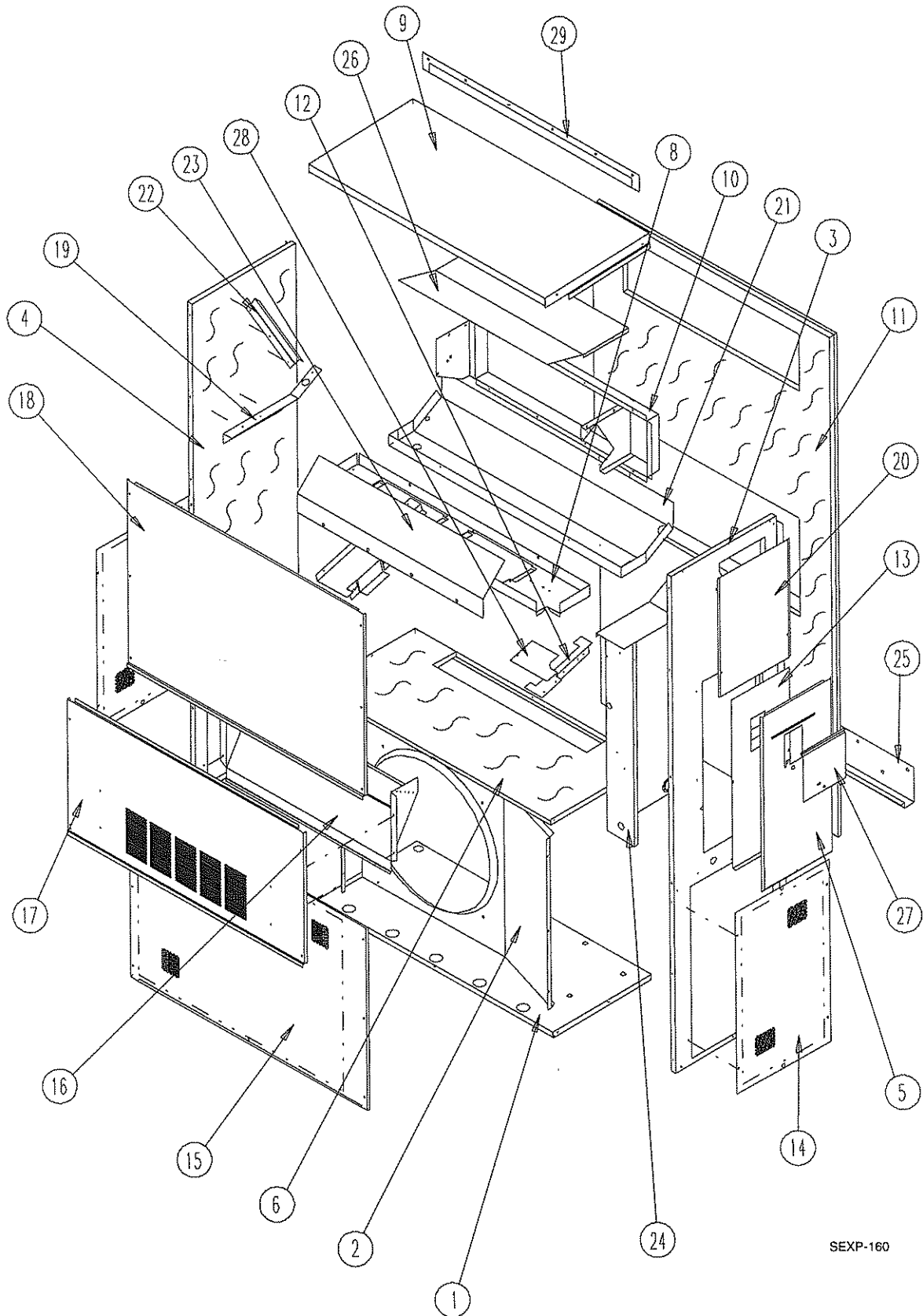


BARD MANUFACTURING COMPANY
Bryan, Ohio 43506

Since 1914...Moving ahead, just as planned.

Manual: 2110-524
File: Vol III Tab 17
Date: 12-15-97

CONTROL PANEL



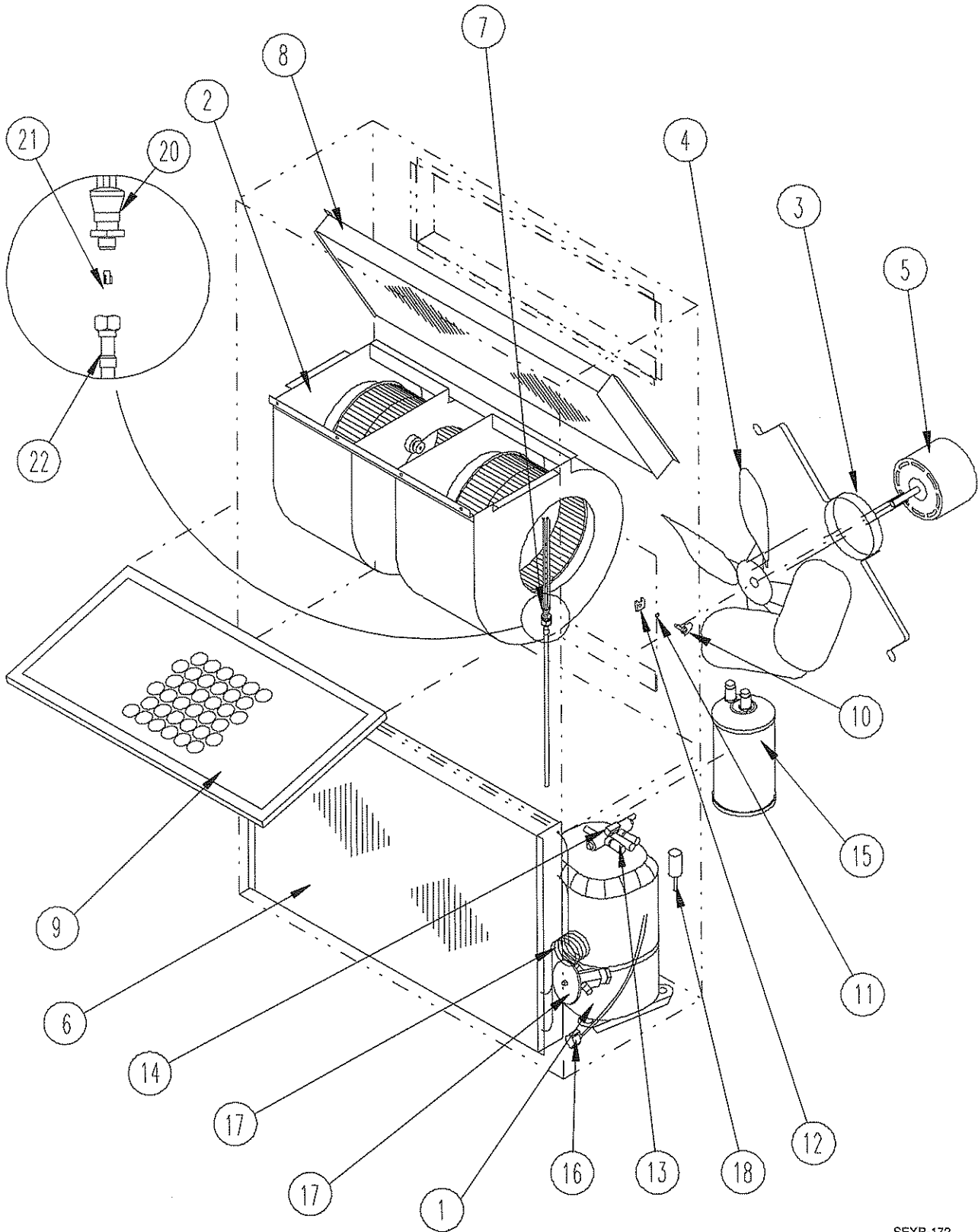
SEXP-160

CONTROL PANEL

Drawing No.	Part No.	Description	WH182-A	WH241-A,B	WH241-C
1	S127-204	Lower Base	X	X	X
2	125-023	Fan Shroud	X	X	X
3	S500-228-* (1)	Right Side	X	X	X
4	S500-229-* (1)	Left Side	X	X	X
5	S533-109-* (1)	Control Panel Cover (Outer)	X	X	X
6	S520-204	Condenser Partition	X	X	X
8	121-190	Blower Partition	X	X	X
9	S506-137-* (1)	Top	X	X	X
10	S111-032	Outlet Airframe Assembly	X	X	X
11	S508-097	Back	X	X	X
12	113-195	Filter Bracket	2	2	2
13	S133-104	Control Panel (Inner)	X	X	
13	S133-110	Control Panel (Inner)			X
14	118-028-* (1)	Side Grille	2	2	2
15	118-030-* (1)	Condenser Grille	X	X	X
16	962019	Fresh Air Damper Assembly	X	X	X
17	S552-213-* (1)	Service Door	X	X	X
18	S514-076-* (1)	Upper Front	X	X	X
19	105-850	Left Side Support	X	X	X
20	143-034-* (1)	Right Side Cover Plate (Outer)	X	X	X
21	S123-080	Drain Pan	X	X	X
22	147-044-* (1)	Left Evaporator Support	X	X	X
23	137-195	Bottom Evaporator Fill	X	X	X
24	Control Panel Assembly	See Control Panel Assembly Drawing and Parts List	X	X	X
25	113-140	Bottom Mounting Bracket	1	1	1
26	135-127	Heat Shield	X	X	X
27	S153-218-* (1)	Disconnect Access Door	X	X	X
28	137-259	Fill Plate	X	X	X
29	113-141-* (1)	Top Rain Flashing	X	X	X

(1) Exterior cabinet parts are manufactured with various paint color options. To insure that you receive the proper paint color, you must include the complete model and serial number of the unit for which cabinet parts are being ordered.

FUNCTIONAL COMPONENTS



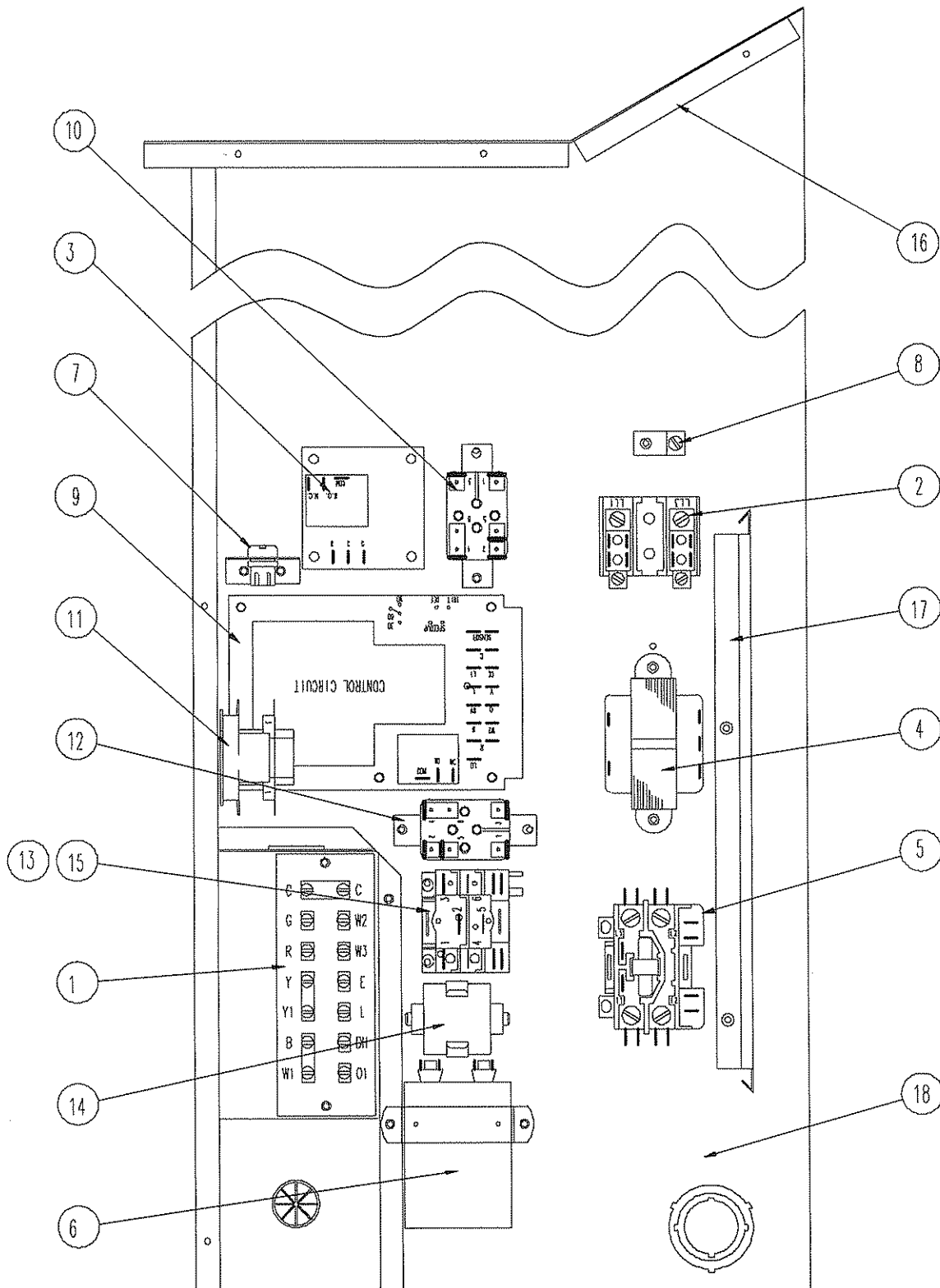
SEXP-172

FUNCTIONAL COMPONENTS

Drawing No.	Part No.	Description	WH182-A	WH241-A	WH241-B	WH241-C
1	8000-223	Compressor	X			
1	8000-140	Compressor		X		
1	8000-141	Compressor			X	
1	8000-142	Compressor				X
2	S900-181	Blower Assembly	X	X	X	
2	S900-182	Blower Assembly				X
3	8200-001	Fan Motor Mount	X	X	X	X
4	5151-033	Fan Blade	X	X	X	
4	5151-046	Fan Blade				X
5	8103-016	Condenser Motor	X	X	X	
5	8103-020	Condenser Motor				X
6	5051-069	Condenser Coil		X	X	X
6	5051-070	Condenser Coil	X			
7	800-0200	Cooling Capillary Assembly		X	X	X
8	5060-065	Evaporator Coil	X	X	X	X
9	7004-011	Air Filter 1" Throw-Away	X	X	X	X
9	7003-032	Air Filter 1" Washable (Optional)	X	X	X	X
9	7004-025	Air Filter 2" Pleated (Optional)	X	X	X	X
10	1171-022	1/4" Turn Fastener	X	X	X	X
11	1171-024	1/4" Turn Retainer	X	X	X	X
12	1171-023	1/4" Receptacle	X	X	X	X
13	5650-020	Reversing Valve	X	X	X	X
14	5650-022	Reversing Valve Solenoid	X	X	X	X
15	5202-021	Accumulator		X	X	X
16	8408-027	Defrost Sensor	X	X	X	X
17	800-0199	Heating Capillary Assembly		X	X	X
17	5651-094	TXV Thermal Expansion Valve	X			
18	8406-055	High Pressure Switch (Solder)	X	X	X	X
NS	8620-148	High Pressure Switch Replacement Kit	X	X	X	X
19	5625-013	Heating Distributor	X			
20	5625-012	Cooling Distributor (Male)	X			
21	5625-052	Cooling Orifice (.052)	X			
22	5625-003	Cooling Distributor (Female)	X			
NS	8406-061	Low Pressure Switch (Solder) (Optional)	X	X	X	X
NS	8620-149	Low Pressure Switch Replacement Kit	X	X	X	X
NS	8406-088	Low Ambient Control (Solder) (Optional)	X	X	X	X
NS	8620-150	Low Ambient Control Replacement Kit	X	X	X	X

NS Not Shown

CONTROL PANEL



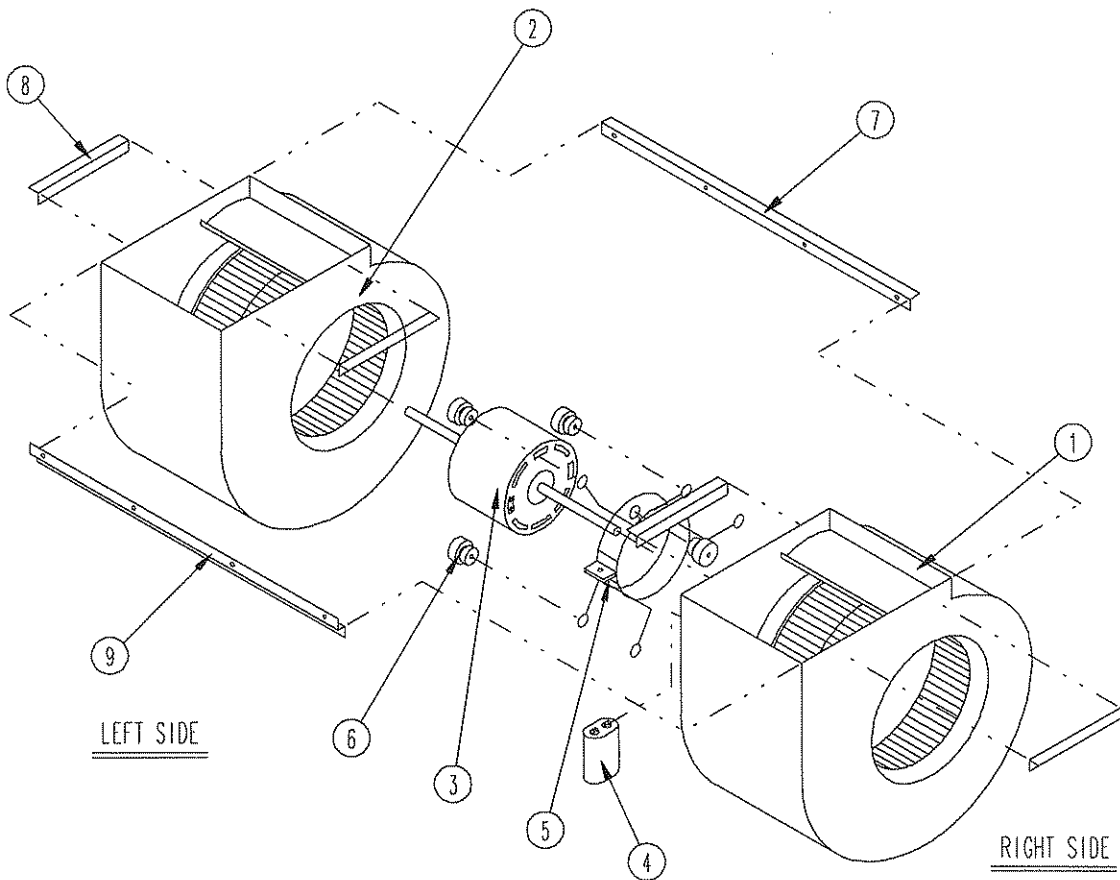
SEXP-168

CONTROL PANEL

Drawing No.	Part No.	Description	WH182-A	WH241-A	WH241-B	WH241-C
1	8607-019	Low Voltage Terminal Strip	X	X	X	X
2	8607-013	Terminal Block 2 Pole	X	X		
2	8607-014	Terminal Block 3 Pole			X	X
2	8607-015	Phelon Insulator				X
3	8201-056	Blower Control	X	X	X	
3	8201-032	Blower Relay				X
4	8407-035	Transformer	X	X	X	
4	8407-042	Transformer				X
5	8401-007	Compressor Contactor	X	X		
5	8401-002	Compressor Contactor			X	X
6	8552-050	Compressor Capacitor		X		
6	8552-046	Compressor Capacitor	X			
6	8552-002	Outdoor Motor Capacitor			X	X
8	8611-006	Ground Terminal	X	X	X	X
9	8201-069	Heat Pump Control	X	X	X	X
11	8201-065	Low Pressure Bypass (TDR) (Optional)	X	X	X	X
12	8201-008	Low Ambient Bypass Relay (Optional)	X	X	X	X
13	8607-017	LAC Terminal Block (Optional)	X	X	X	X
14	8551-005	Start Device	X	X		
15	8201-032	Outdoor Fan Relay				X
16	S517-137	Control Panel Top	X	X	X	X
17	135-122	Wire Shield	X	X	X	X
18	117-123	Control Panel	X	X	X	X
NS	4096-110	Wiring Diagram		X		
NS	4096-115	Wiring Diagram	X			
NS	4096-210	Wiring Diagram			X	
NS	4096-310	Wiring Diagram				X

NS Not Shown

BLOWER ASSEMBLY



SEXP-161

Drawing No.	Part No.	Description	900-181	900-182
1	5152-069	Housing, Wheel and Cutoff (CW)	X	X
2	5152-070	Housing, Wheel and Cutoff	X	X
3	8102-011	Blower Motor (230/208)	X	
3	8105-033	Blower Motor (460)		X
4	8552-002	Capacitor	X	X
5	8200-039	Motor Mount	X	X
6	5451-011	Grommets	6	6
7	105-869	Back Brace	X	X
8	104-868	Side Angle	4	4
9	103-400	Front Brace	X	X