
REPLACEMENT PARTS MANUAL

WALL MOUNTED PACKAGE HEAT PUMPS

Models: **WH421D**
WH482D

General Notes

- Revised and/or additional pages may be issued from time to time.
- A complete and current manual consists of pages shown in the following contents section.

Important

- Contact the installing and/or local Bard distributor for all parts requirements. Make sure you have the complete model and serial number available from the unit rating plate.

Contents

Description	Page
Cabinet Components	
♦ Exploded View	1
♦ Usage List	2
Functional Components	
♦ Exploded View	3
♦ Usage List	4
Control Panel	
♦ Layout View	5
♦ Usage List	6
Blower Housing	
♦ Exploded View	7
♦ Usage List	7

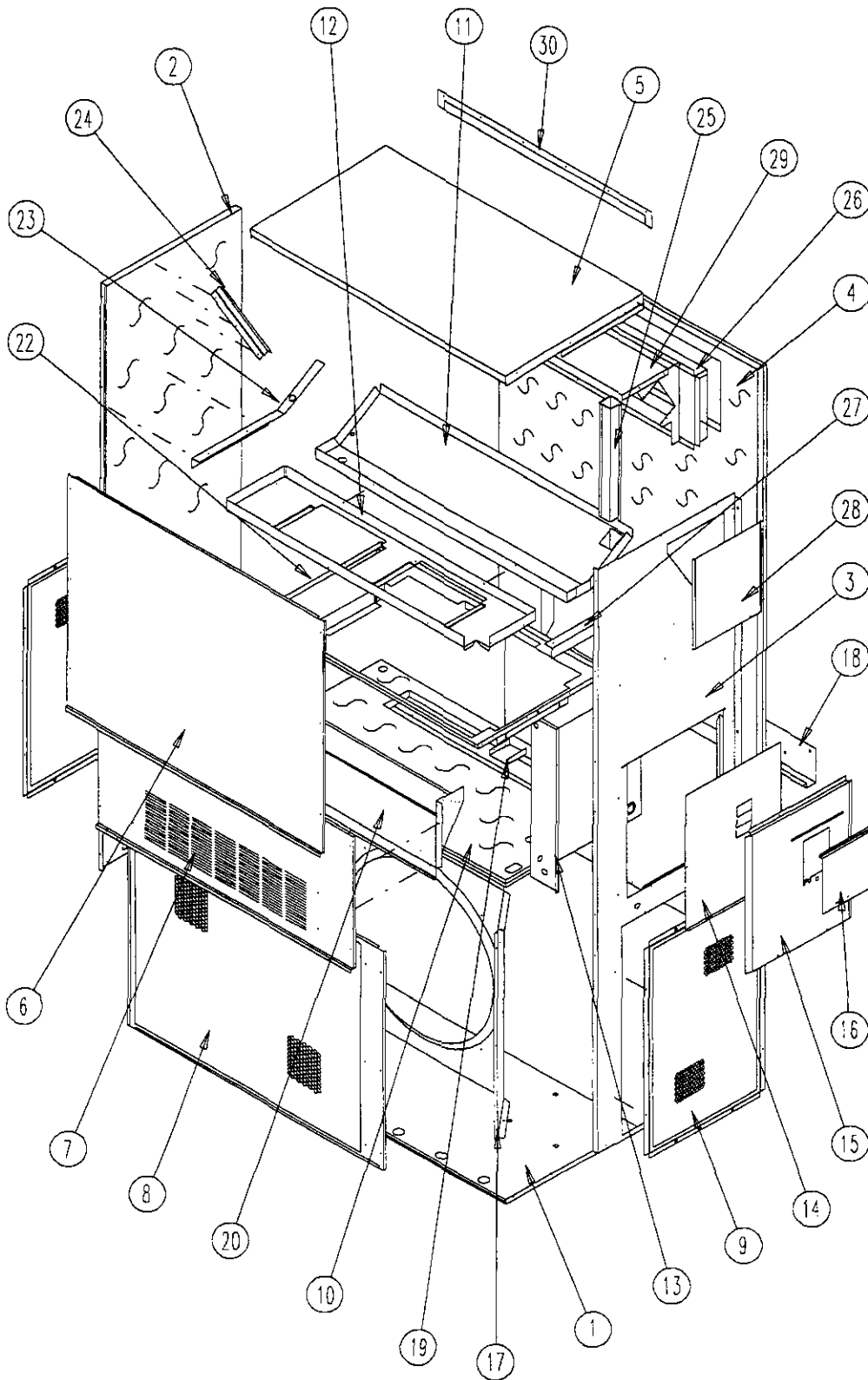


BARD MANUFACTURING COMPANY
Bryan, Ohio 43506

Since 1914...Moving ahead, just as planned.

Manual: 2110-528 A
Supersedes: 2110-528
File: Tab 17
Date: 10-01-99

CABINET COMPONENTS



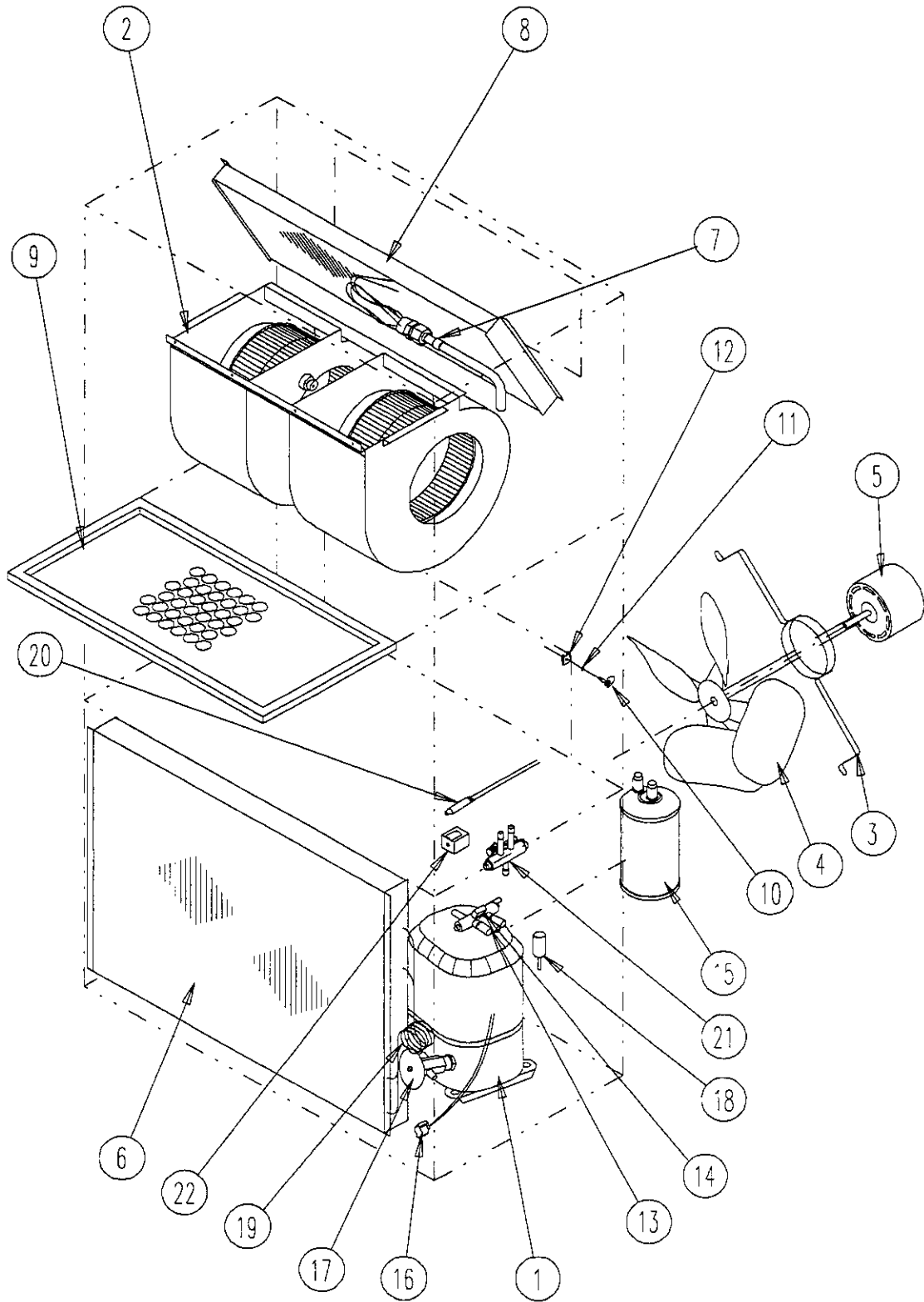
SEXP-175

CABINET COMPONENTS

Drawing No.	Part No.	Description	WH421DA, DB	WH421DC	WH482DA, DB	WH482DC
1	S127-214	Lower Base	X	X	X	X
2	S500-262-* ①	Left Side	X	X	X	X
3	S500-261-* ①	Right Side	X	X	X	X
4	S508-098	Back	X	X	X	X
5	S506-142-* ①	Top	X	X	X	X
6	S514-077-* ①	Upper Front	X	X	X	X
7	S552-224-* ①	Service Door	X	X	X	X
8	118-031-* ①	Condenser Grille	X	X	X	X
9	118-032-* ①	Side Grille	2	2	2	2
10	S521X258	Condenser Partition	X	X	X	X
11	123-083	Drain Pan	X	X	X	X
12	121X216	Blower Partition	X	X	X	X
13	Control Panel Assy	See Control Panel Assembly Drawing	X	X	X	X
14	S133-114	Control Panel Cover (Inner)	X		X	
14	S133-115	Control Panel Cover (Inner)		X		X
15	S533-113-* ①	Control Panel Cover (Outer)	X	X	X	X
16	S153-218-* ①	Disconnect Access Door	X	X	X	X
17	125-024	Fan Shroud	X	X	X	X
18	113-140	Bottom Mounting Bracket	X	X	X	X
19	137-209	Fill	X	X	X	X
20	BFAD-5	Fresh Air Damper Assembly	X	X	X	X
22	131X099	Filter Tray	X	X	X	X
23	105X877	Left Side Support	X	X	X	X
24	147-046-* ①	Left Evaporator Support	X	X	X	X
25	135-128	Raceway	X	X	X	X
26	111X034	Outlet Airframe Assembly	X	X	X	X
27	105X878	Right Side Support	X	X	X	X
28	143-042-* ①	Right Side Cover Plate (Outer)	X	X	X	X
29	135-129	Heat Shield	X	X	X	X
30	113-150-* ①	Top Rain Flashing	X	X	X	X

① Exterior cabinet parts are manufactured with various paint color options. To insure that you receive the proper paint color, you must include the complete model and serial number of the unit for which cabinet parts are being ordered.

FUNCTIONAL COMPONENTS



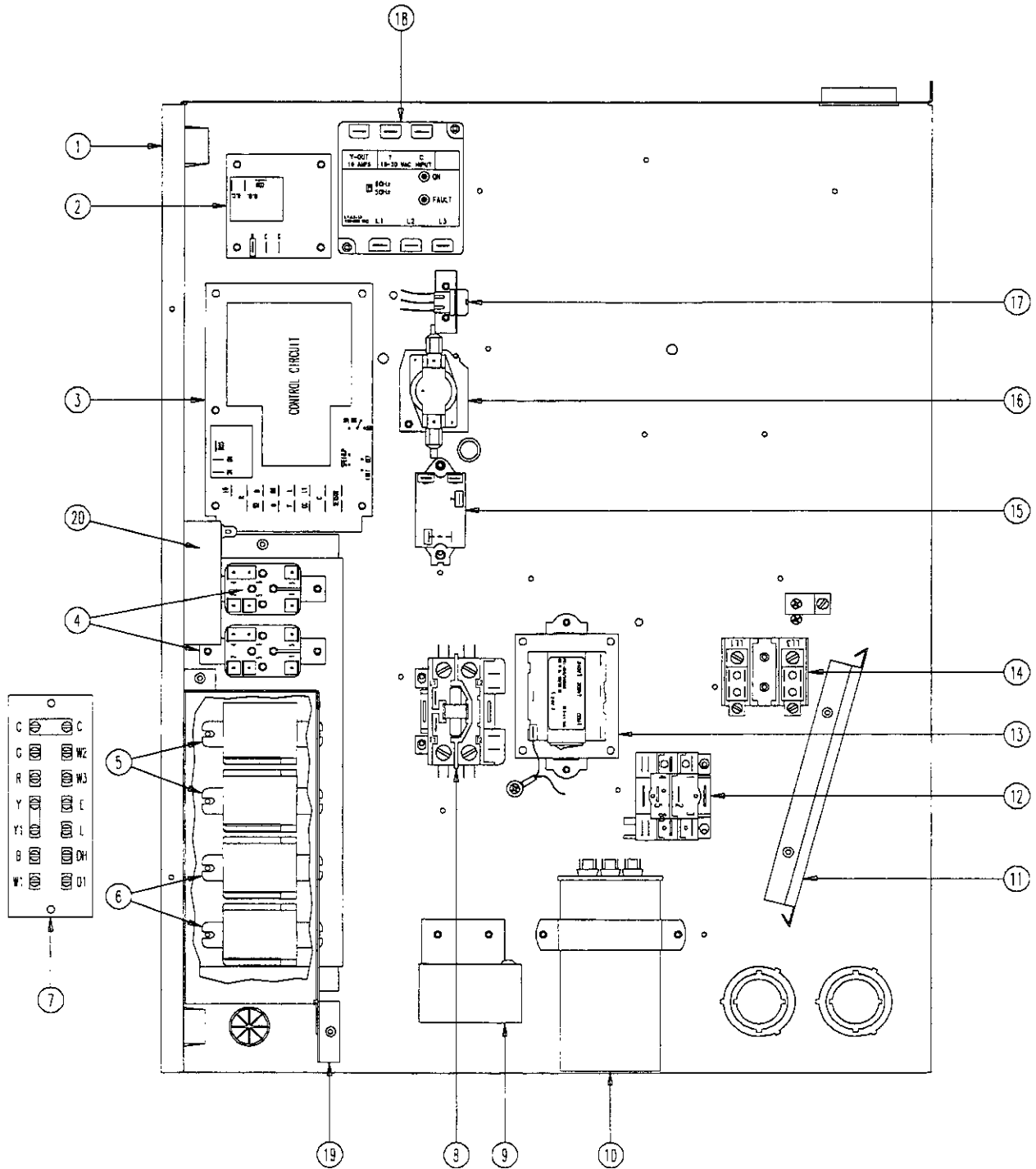
SEXP-329

FUNCTIONAL COMPONENTS

Drawing No.	Part No.	Description	WH421DA	WH421DB	WH421DC	WH482DA	WH482DB	WH482DC
1	8000-126	Compressor	X					
1	8000-127	Compressor		X				
1	8000-128	Compressor			X			
1	8000-149	Compressor				X		
1	8000-156	Compressor					X	
1	8000-157	Compressor						X
2	S900-183	Blower Assembly	X	X		X	X	
2	S900-184	Blower Assembly			X			X
3	8202-004	Fan Motor Mount	X	X	X	X	X	X
4	5151-027	Fan Blade	X	X	X	X	X	X
5	8105-039	Condenser Motor	X	X		X	X	
5	8105-030	Condenser Motor			X			X
6	5051-117	Condenser Coil	X	X	X			
6	5051-075	Condenser Coil				X	X	X
7	5651-158	TXV – Cooling	X	X	X			
7	5651-102	TXV – Cooling				X	X	X
8	917-0042	Evaporator Coil Assembly	X	X	X	X	X	X
9	7004-016	Air Filter 1" Throwaway	X	X	X	X	X	X
9	7004-030	Air Filter 1" Washable	X	X	X	X	X	X
9	7004-027	Air Filter 2" Pleated	X	X	X	X	X	X
10	1171-022	1/4" Turn Fastner	X	X	X	X	X	X
11	1171-024	1/4" Turn Retainer	X	X	X	X	X	X
12	1171-023	1/4" Receptacle	X	X	X	X	X	X
13	5650-021	Reversing Valve	X	X	X			
13	5650-024	Reversing Valve				X	X	X
14	5650-022	Reversing Valve Solenoid	X	X	X	X	X	X
15	5202-011	Accumulator	X	X	X			
16	8408-027	Defrost Sensor	X	X	X	X	X	X
17	5651-102	Expansion Valve				X	X	X
18	8406-055	High Pressure Switch (Solder)	X	X	X	X	X	X
19	800-0210	Heating Distributor Assembly				X	X	X
19	800-0296	Heating Distributor Assembly	X	X	X			
20	800-0297	Drain Back Assembly	X	X	X			
20	800-0300	Drain Back Assembly				X	X	X
21	5650-026	Three Way Valve	X	X	X	X	X	X
22	5650-027	Solenoid Coil	X	X	X	X	X	X
NS	1804-0106	High Pressure Switch (Flare) (Opt.)	X	X	X	X	X	X
NS	1804-0107	Low Pressure Switch (Flare) (Opt.)	X	X	X	X	X	X
NS	1504-0108	Low Ambient Control (Flare) (Opt.)	X	X	X	X	X	X

NS = Not Shown

CONTROL PANEL COMPONENTS



SEXP-327

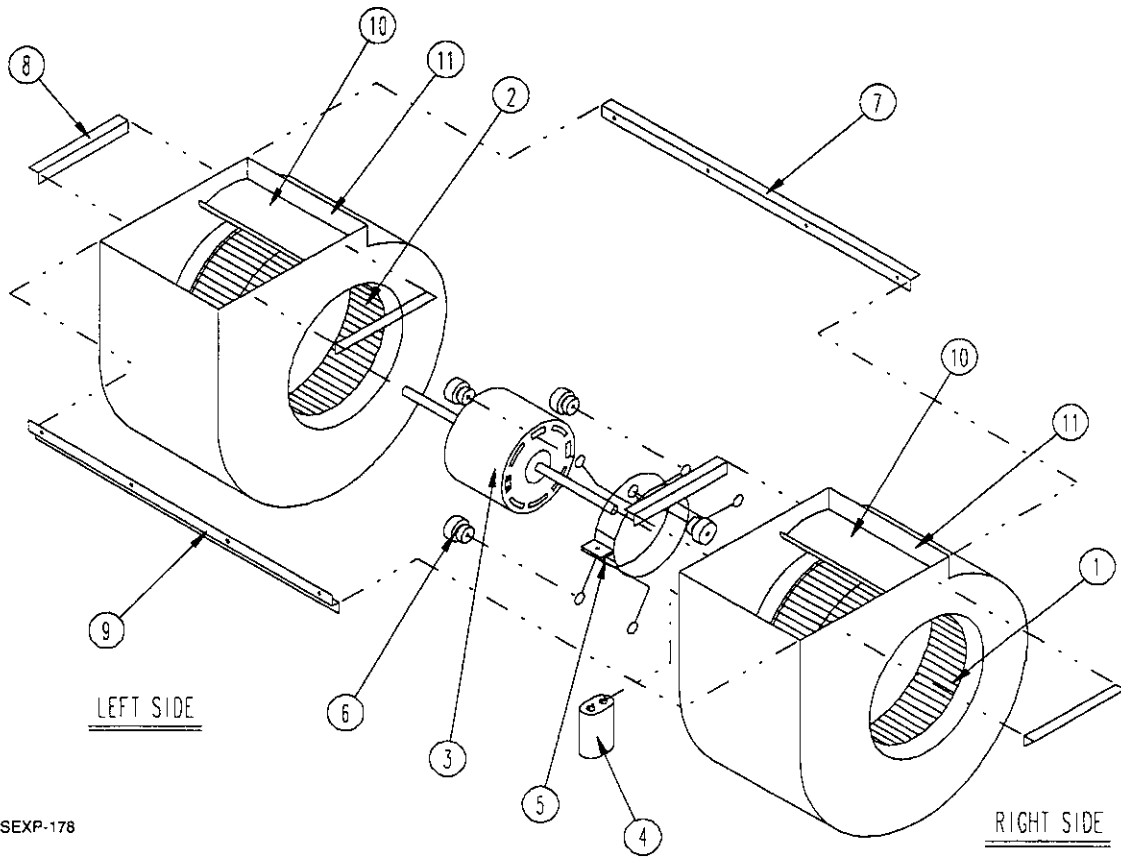
CONTROL PANEL COMPONENTS

Drawing No.	Part No.	Description	WH421DA	WH421DB	WH421DC	WH482DA	WH482DB	WH482DC
1	117X229	Control Panel	X	X	X	X	X	X
2	8201-056	Blower Control	X	X		X	X	
2	8201-032	Blower Relay			X			X
3	8201-069	Heat Pump Control Board	X	X	X	X	X	X
4	8201-062	Control Relay	2	2	2	2	2	2
5	8201-048	Control Relay	2	2	2	2	2	2
6	8201-071	Control Relay	2	2	2	2	2	2
7	8607-019	Low Voltage Terminal Strip	X	X	X	X	X	X
8	8401-007	Compressor Contactor	X					
8	8401-002	Compressor Contactor		X	X		X	X
8	8401-016	Compressor Contactor				X		
9	8408-037	Return Air Thermostat	X	X	X	X	X	X
10	8552-005	Outdoor Motor Capacitor		X			X	
10	8552-055	Compressor Capacitor	X					
10	8552-026	Outdoor Motor Capacitor			X			X
10	8552-059	Compressor Capacitor				X		
11	135-130	Wire Shield	X	X	X	X	X	X
12	8201-032	Outdoor Fan Relay			X			X
12	8551-005	Start Device (Not Shown)	X			X		
13	8407-048	Transformer	X	X		X	X	
13	8407-050	Trnasformer			X			X
14	8607-013	Terminal Block 2 Pole	X			X		
14	8607-014	Terminal Block 3 Pole		X	X		X	X
14	8607-015	Phenolic Insulator			X			X
15	8201-008	Low Ambient Bypass Relay (Opt.)	X	X	X	X	X	X
16	8201-065	Low Pressure Bypass TDR (Opt.)	X	X	X	X	X	X
17	3000-1109	Wire Harness	X	X	X	X	X	X
18	8201-085	Phase Monitor					X	X
19	117X230	Low Voltage Box	X	X	X	X	X	X
20	8201-089	Time Delay Relay 10 sec. Delay Off	X	X	X	X	X	X
NS	4096-119	Wiring Diagram	X					
NS	4096-120	Ladder Diagram	X					
NS	4096-121	Wiring Diagram				X		
NS	4096-122	Ladder Diagram				X		
NS	4096-220	Wiring Diagram		X				
NS	4096-221	Ladder Diagram		X				
NS	4096-222	Wiring Diagram					X	
NS	4096-223	Ladder Diagram					X	
NS	4096-320	Wiring Diagram			X			
NS	4096-321	Ladder Diagram			X			
NS	4096-322	Wiring Diagram						X
NS	4096-323	Ladder Diagram						X

NS = Not Shown

Opt. = Optional

BLOWER ASSEMBLY



SEXP-178

Dwg. No.	Part No.	Description	900-183	900-184
1	5152-057	9 Inch Wheel (CW)	X	X
2	5152-058	9 Inch Wheel (CCW)	X	X
3	8106-030	Blower Motor (230/208)	X	
3	8106-025	Blower Motor (460)		X
4	8552-005	Capacitor	X	X
5	8200-040	Motor Mount	X	X
6	5451-011	Grommets	6	6
7	105-881	Back Brace	X	X
8	105-880	Side Angle	4	4
9	103-389	Front Brace	X	X
10	151-101	Housing	2	2
11	144-166	Diffuser	2	2