
Replacement Parts Manual

WALL MOUNTED PACKAGE HEAT PUMPS

MODELS: WH241D

General Notes

- Revised and/or additional pages may be issued from time to time.
- A complete and current manual consists of pages shown in the following contents section.

Important

- Contact the installing and/or local Bard distributor for all parts requirements. Make sure you have the complete model and serial number available from the unit rating plates.

Contents

Description	Page
Cabinet Components	
◆ Exploded View	1
◆ Usage List	2
Functional Components	
◆ Exploded View	3
◆ Usage List	4
Control Panel	
◆ Exploded View	5
◆ Usage List	6
Blower Assembly	
◆ Exploded View	7
◆ Usage List	7

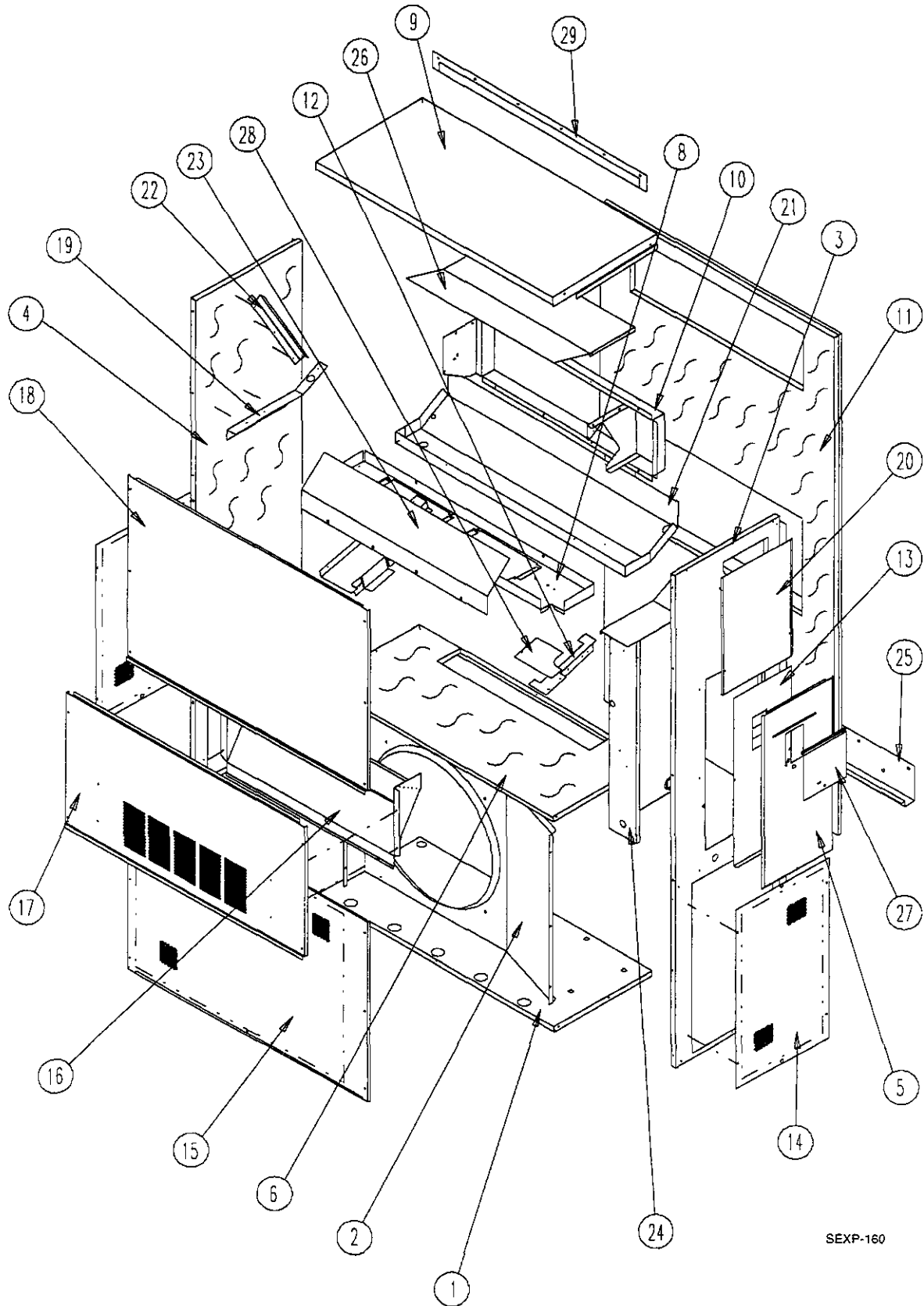


BARD MANUFACTURING COMPANY
Bryan, Ohio 43506

Since 1914...Moving ahead, just as planned.

Manual: 2110-529
Supersedes:
File: Vol III Tab 17
Date: 09-07-99

CONTROL PANEL



SEXP-160

CONTROL PANEL

Drawing No.	Part No.	Description	WH241DA,B	WH241DC
1	S127-204	Lower Base	X	X
2	125-023	Fan Shroud	X	X
3	S500-228-* (1)	Right Side	X	X
4	S500-229-* (1)	Left Side	X	X
5	S533-109-* (1)	Control Panel Cover (Outer)	X	X
6	S521X332	Condenser Partition	X	X
8	121-190	Blower Partition	X	X
9	S506-137-* (1)	Top	X	X
10	S111-032	Outlet Airframe Assembly	X	X
11	S508-097	Back	X	X
12	113-195	Filter Bracket	2	2
13	S133-104	Control Panel (Inner)	X	
13	S133-110	Control Panel (Inner)		X
14	118-028-* (1)	Side Grille	2	2
15	118-030-* (1)	Condenser Grille	X	X
16	BFAD-2	Fresh Air Damper Assembly	X	X
17	S552-213-* (1)	Service Door	X	X
18	S514-076-* (1)	Upper Front	X	X
19	105-850	Left Side Support	X	X
20	143-034-* (1)	Right Side Cover Plate (Outer)	X	X
21	S123-080	Drain Pan	X	X
22	147-044-* (1)	Left Evaporator Support	X	X
23	137-195	Bottom Evaporator Fill	X	X
24	Control Panel	See Control Panel Assembly Drawing and Parts List Assembly	X	X
25	113-140	Bottom Mounting Bracket	1	1
26	135-127	Heat Shield	X	X
27	S153-218-* (1)	Disconnect Access Door	X	X
28	137-259	Fill Plate	X	X
29	113-141-* (1)	Top Rain Flashing	X	X

- (1) Exterior cabinet parts are manufactured with various paint color options. To insure that you receive the proper paint color, you must include the complete model and serial number of the unit for which cabinet parts are being ordered.

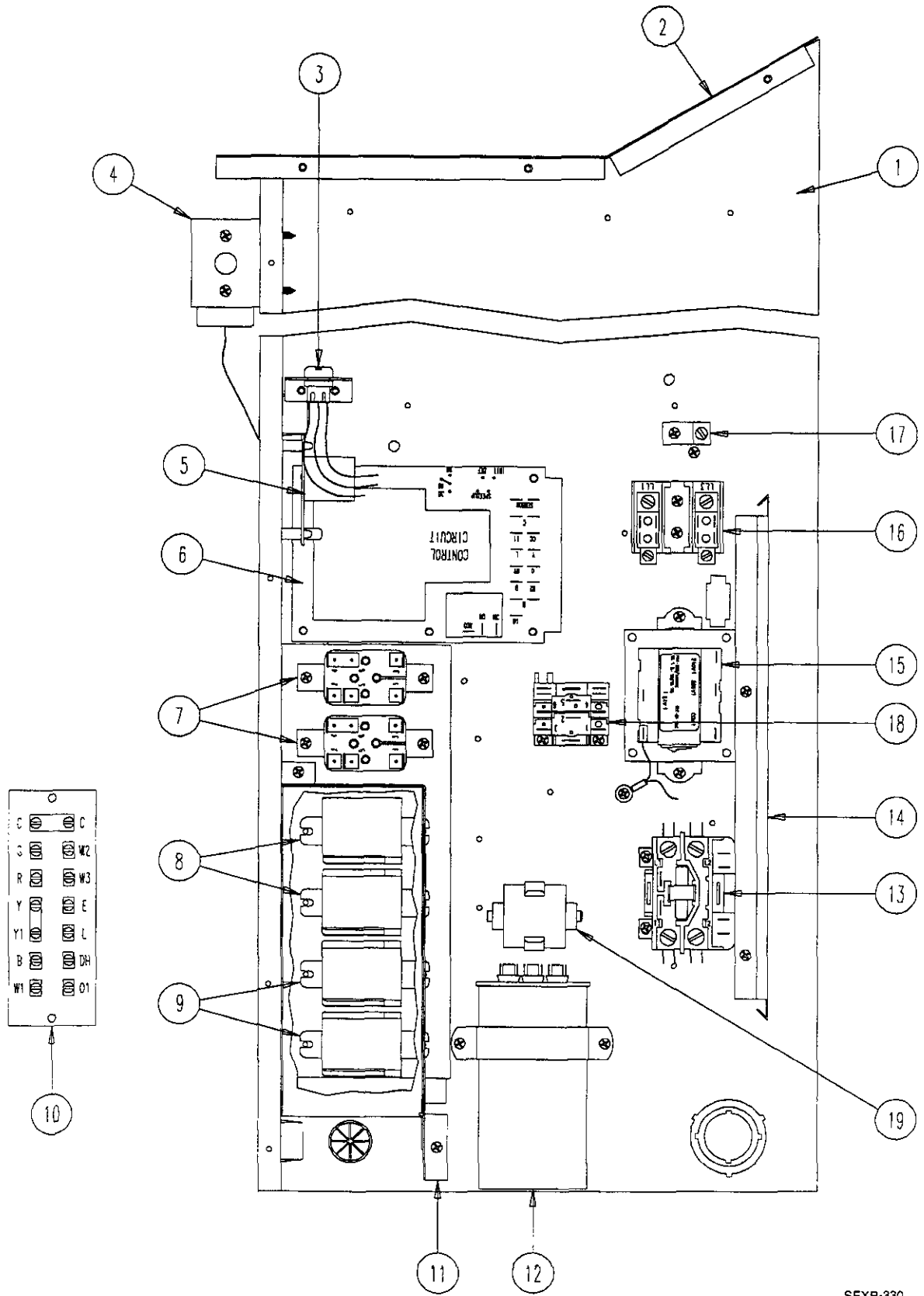
FUNCTIONAL COMPONENTS

Drawing No.	Part No.	Description	WH241DA	WH241DB	WH241DC
1	8000-140	Compressor	X		
1	8000-141	Compressor		X	
1	8000-142	Compressor			X
2	S900-181	Blower Assembly	X	X	
2	S900-182	Blower Assembly			X
3	8200-001	Fan Motor Mount	X	X	X
4	5151-033	Fan Blade	X	X	
4	5151-046	Fan Blade			X
5	8103-016	Condenser Motor	X	X	
5	8103-020	Condenser Motor			X
6	5051-115	Condenser Coil	X	X	X
7	5651-157	Cooling TXV	X	X	X
8	917-0048	Evaporator Coil Assembly ①	X	X	X
9	7004-011	Air Filter 1" Throw-Away (16 x 25 x 1)	X	X	X
9	7003-032	Air Filter 1" Washable (Optional) (16 x 25 x 1)	X	X	X
9	7004-025	Air Filter 2" Pleated (Optional) (16 x 25 x 2)	X	X	X
10	1171-022	1/4" Turn Fastener	X	X	X
11	1171-024	1/4" Turn Retainer	X	X	X
12	1171-023	1/4" Receptacle	X	X	X
13	5650-020	Reversing Valve	X	X	X
14	5650-022	Reversing Valve Solenoid	X	X	X
15	5202-021	Accumulator	X	X	X
16	8620-095	Defrost Sensor	X	X	X
NS	1804-0106	High Pressure Switch Replacement Kit	X	X	X
19	800-0290	Heating Distributor w/.031 Orifice	X	X	X
20	800-0289	Drain Back Assembly	X	X	X
21	5650-026	Three Way Valve	X	X	X
22	5650-027	Solenoid Coil	X	X	X
23	8408-038	Freeze Thermostat	X	X	X
NS	1804-0107	Low Pressure Switch Replacement Kit	X	X	X
NS	CMA-6	Low Ambient Control Replacement Kit	X	X	X

NS = Not Shown

① Includes the evaporator coil and hot gas reheat coil

CONTROL PANEL



C	C
G	W2
R	W3
Y	E
Y1	L
B	DH
W1	O1

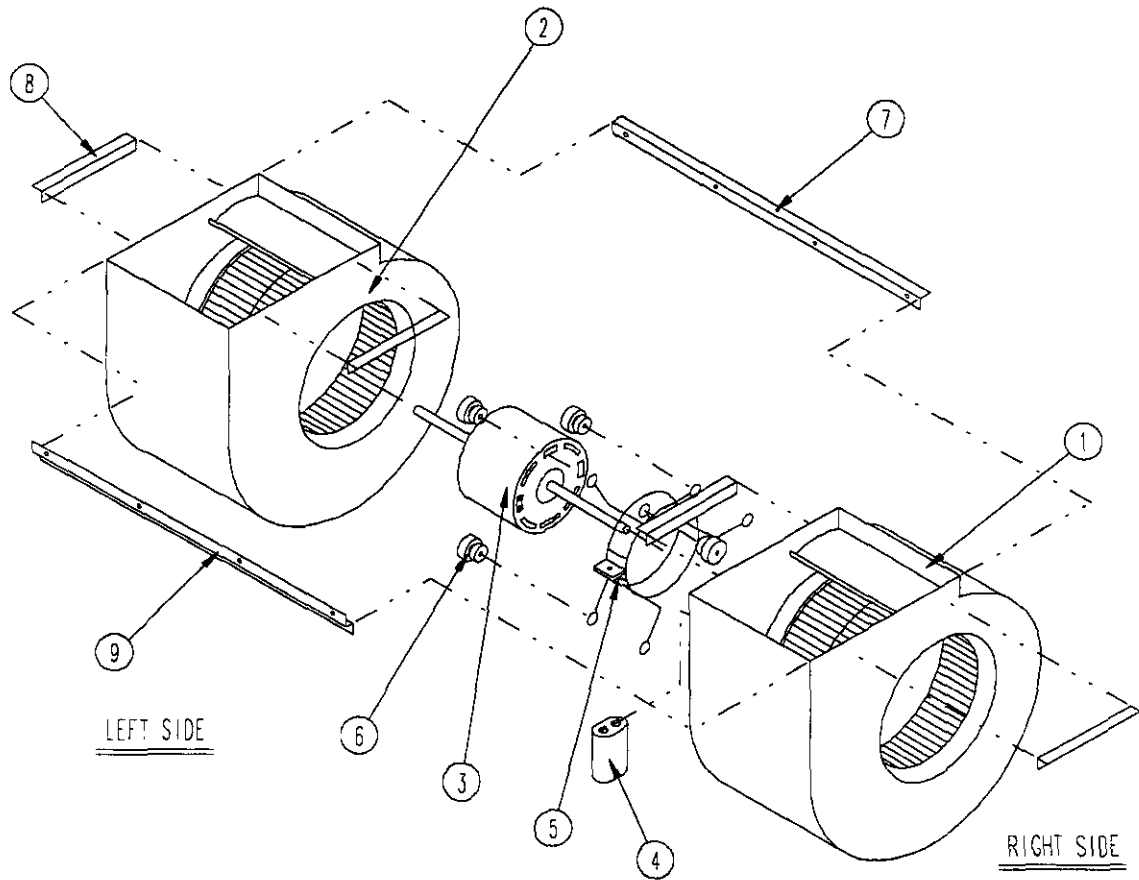
SEXP-330

CONTROL PANEL

Drawing No.	Part No.	Description	WH241DA	WH241DB	WH241DC
1	117X232	Control Panel	X	X	X
2	117X137	Control Panel Top	X	X	X
3	3000-971	6 Pin Connector	X	X	X
4	8408-037	Return Air Thermostat	X	X	X
5	8201-056	Blower Control w/Delay	X	X	
5	8201-032	Blower Relay			X
6	8201-069	Heat Pump Control Board	X	X	X
7	8201-062	Control Relay	X	X	X
8	8201-048	Control Relay	X	X	X
9	8201-071	Control Relay	X	X	X
10	8207-019	Low Voltage Terminal Strip	X	X	X
11	117X230	Low Voltage Box	X	X	X
12	8552-047	Compressor Capacitor (30/5 MFD 370V)	X		
12	8552-002	Outdoor Motor Capacitor (5MFD 370V)		X	X
13	8401-007	Compressor Contactor (25 Amp 1 Pole)	X		
13	8401-002	Compressor Contactor (25 Amp 3 Pole)		X	X
14	135-122	Wire Shield	X	X	X
15	8407-048	Transformer	X	X	
15	8407-042	Transformer			X
16	8607-013	Terminal Block 2 Pole	X		
16	8607-014	Terminal Block 3 Pole		X	X
16	8607-015	Phenolic Insulator			X
17	8611-006	Ground Terminal	X	X	X
18	8201-032	Outdoor Fan Relay			X
19	8551-004	Start Device	X		
NS	4096-123	Wiring Diagram	X		
NS	4096-120	Ladder Diagram	X		
NS	4096-224	Wiring Diagram		X	
NS	4096-221	Ladder Diagram		X	
NS	4096-324	Wiring Diagram			X
NS	4096-321	Ladder Diagram			X

NS Not Shown

BLOWER ASSEMBLY



SEXP-161

Drawing No.	Part No.	Description	900-181	900-182
1	5152-069	Housing, Wheel and Cutoff (CW)	X	X
2	5152-070	Housing, Wheel and Cutoff (CCW)	X	X
3	8102-011	Blower Motor (230/208)	X	
3	8105-033	Blower Motor (460)		X
4	8552-002	Capacitor (5 MFD 370V)	X	X
5	8200-039	Motor Mount	X	X
6	5451-011	Grommets	6	6
7	105-869	Back Brace	X	X
8	104-868	Side Angle	4	4
9	103-400	Front Brace	X	X