

---

# REPLACEMENT PARTS MANUAL

# QTEC SERIES PACKAGED HEAT PUMP

Models:

**QH242D    QH302D**  
**QH362D    QH422D**  
**QH482D    QH602D**

---

## General Notes

- Revised and/or additional pages may be issued from time to time.
- A complete and current manual consists of pages shown in the following contents section.

## Contents

Description	Page
Cabinet Components	
♦ Exploded View .....	1
♦ Usage List .....	2
♦ Usage List .....	3
♦ Usage List .....	4
♦ Usage List .....	5
♦ Blank Page .....	6
Functional Components	
♦ Exploded View .....	7
♦ Usage List .....	8
♦ Usage List .....	9
♦ Usage List .....	10
Upper Control Panel Components	
♦ Exploded View .....	11
♦ Usage List .....	12
♦ Usage List .....	13
♦ Usage List .....	14
♦ Usage List .....	15
♦ Usage List .....	16
♦ Usage List .....	17
♦ Blank Page .....	18
Lower Control Panel Components	
♦ Exploded View .....	19
♦ Usage List .....	20
Dehumidification Module Components	
♦ Exploded View .....	20
♦ Usage List .....	20
Blower Assembly Components	
♦ Exploded View .....	21
♦ Usage List .....	22
Optional Climate Control Components	
♦ Exploded View .....	23
♦ Usage List .....	24
♦ Climate Control Nomenclature .	24
Wall Sleeve Cabinet Components	
♦ Exploded View .....	25
♦ Usage List .....	26

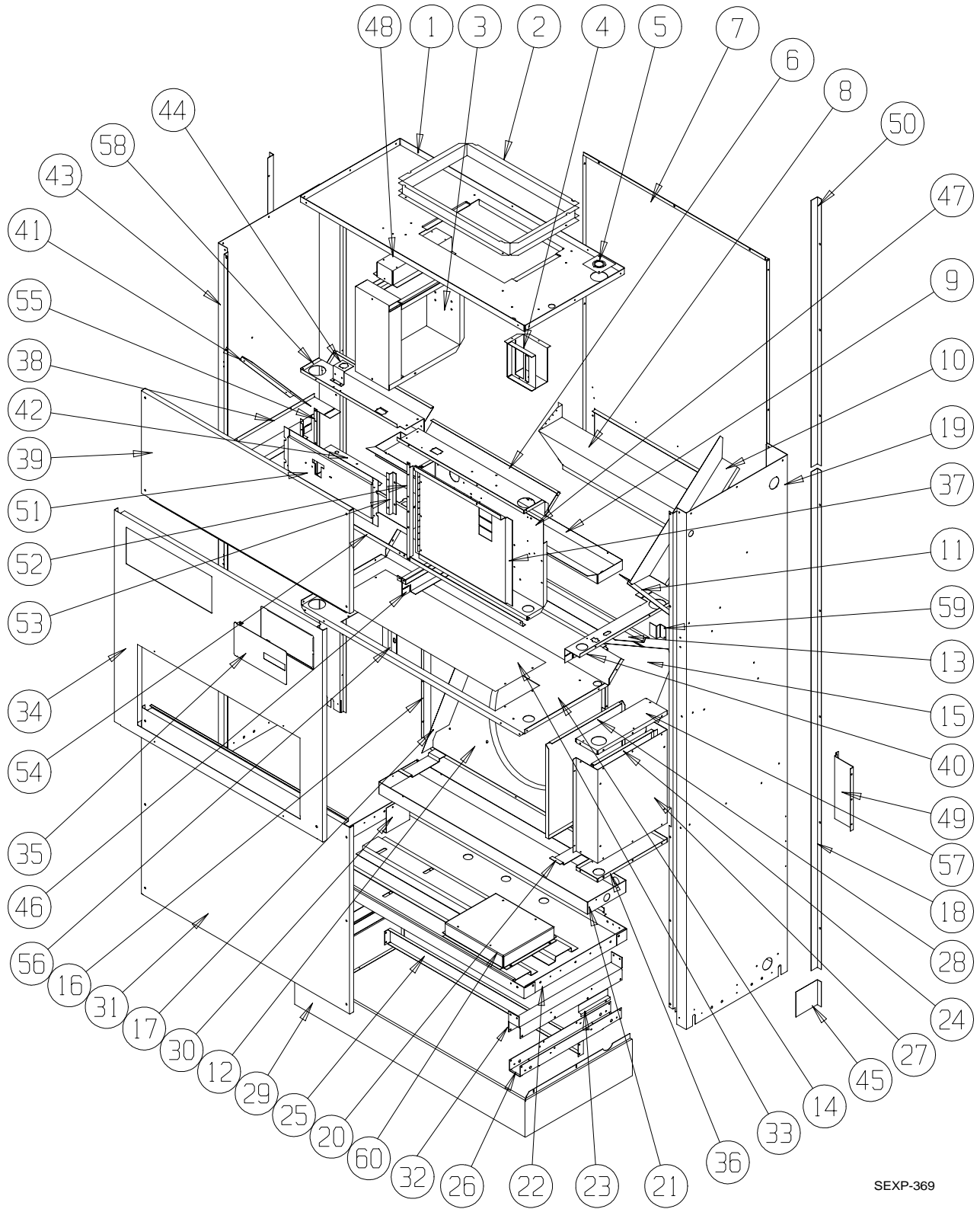


**BARD MANUFACTURING COMPANY**  
Bryan, Ohio 43506  
*Since 1914...Moving ahead, just as planned.*

Manual: 2110-534D  
Supersedes: 2110-534C  
File: Tab 14  
Date: 10-11-01

---

# CABINET COMPONENTS



SEXP-369

**This Exploded View is referenced in Tables on Page 2, 3,4 & 5**

# CABINET COMPONENTS

Drawing No.	Part No.	Description	QH242DA, B	QH242DC	QH302DA, B	QH302DC	QH362DA, B	QH362DC	QH422DA, B	QH422DC
1	506-225	Top Assembly	X	X	X	X	X	X	X	X
2	110-044	Outlet Duct Flange	2	2	2	2	2	2	2	2
3	See Page 12	Heater Package Assembly (Optional)	X	X	X	X	X	X	X	X
4	117-187	Low Voltage Box Assembly (Optional)	X	X	X	X	X	X	X	X
5	136-359	T. K. O. Plate	X	X	X	X	X	X	X	X
6	534-191	Evaporator Coil Shield – Right	X	X	X	X	X	X	X	X
7	508-133	Back Assembly	X	X	X	X	X	X	X	X
8	538-106	Fresh Air Damper Assembly	X	X	X	X	X	X	X	X
9	523-104	Evaporator Drain Pan Assembly	X	X	X	X	X	X	X	X
10	134-154	Wire Channel	X	X	X	X	X	X	X	X
11	140X277	Right Evaporator Support	X	X	X	X	X	X	X	X
12	124-032	Fan Shroud Back	X	X	X	X	X	X	X	X
13	142-055	Condenser Coil Fill	X	X	X	X	X	X	X	X
14	520-346	Condenser Partition Assembly	X	X	X	X	X	X	X	X
15	124X043	Fan Shroud Right Side	X	X	X	X	X	X	X	X
16	124Y043	Fan Shroud Left Side	X	X	X	X	X	X	X	X
17	140-229	Condenser Coil Support	2	2	2	2	2	2	2	2
18	135-177-* ①	Side Trim – Lower	2	2	2	2	2	2	2	2
19	500-392-* ①	Right Side Assembly	X	X	X	X	X	X	X	X
20	140-227	Subcooling Loop Hold Down	3	3	3	3	3	3	3	3
21	123-094	Condenser Drain Pan Assembly	X	X	X	X	X	X	X	X
22	527-309-X	Lower Base Assembly	X	X	X	X	X	X	X	X
23	102-415	Pile Seal Offset	2	2	2	2	2	2	2	2
24	117-240	Lower Control Panel Plate	X	X	X	X	X	X	X	X
25	135-189	Base Shield	X	X	X	X	X	X	X	X
26	140-276	Lower Roller Support	2	2	2	2	2	2	2	2
27	See Page 7	Control Panel Components	X	X	X	X	X	X	X	X
28	133-164	Control Panel Door – Lower	X	X	X	X	X	X	X	X
29	534-155-6	Base Trim Assembly	X	X	X	X	X	X	X	X
30	140-230	Drain Pan Support	X	X	X	X	X	X	X	X
31	552-332-* ①	Condenser Door Assembly	X	X	X	X	X	X	X	X
32	140-280	Upper Roller Support	2	2	2	2	2	2	2	2
33	536-351	Condenser Blank Off Plate	X	X	X	X	X	X	X	X
34	552-330-* ①	Filter Door Assembly	X	X	X	X	X	X	X	X
35	152-336-* ①	Circuit Breaker Door	X	X	X	X	X	X	X	X
36	116-238	Lower Control Panel Bottom	X	X	X	X	X	X	X	X
37	132-166	Pull Disconnect Door Inner		X		X		X		X
37	132-165	Circuit Breaker Door Inner	X		X		X		X	
38	113-281	Left Filter Bracket	X	X	X	X	X	X	X	X
39	552-331-* ①	Blower Door Assembly	X	X	X	X	X	X	X	X

*Continued on Page 3*

① Exterior cabinet parts are manufactured with various color options. To insure that you receive the proper color, you must include the complete models and serial number of the unit for which parts are being ordered.

**This Table references Exploded View on Page 1**

# CABINET COMPONENTS

Drawing No.	Part No.	Description	QH242DA, DB	QH242DC	QH302DA, D B	QH302DC	QH362-D, DB	QH362DC	QH422DA, DB	QH422DC
<i>Continued from Page 2</i>										
40	113-282	Right Filter Bracket	X	X	X	X	X	X	X	X
41	140Y277	Left Evaporator Support	X	X	X	X	X	X	X	X
42	117-243	Relay Control Panel	X	X	X	X	X	X	X	X
43	500-391-* ①	Left Side Assembly	X	X	X	X	X	X	X	X
44	113-142	Expansion Valve Mounting Plate	X	X	X	X	X	X	X	X
45	135-165-* ①	Base Trim Extension	2	2	2	2	2	2	2	2
46	112X283	Center Right Filter Bracket	X	X	X	X	X	X	X	X
46	112Y283	Center Left Filter Bracket	X	X	X	X	X	X	X	X
47	See Page 17	Pull Disconnect Assembly		X		X		X		X
47	See Page 15	Circuit Breaker Box Assembly	X		X		X		X	
48	112-229	Heatstrip Bracket	X	X	X	X	X	X	X	X
49	112-234	Mounting Bracket	2	2	2	2	2	2	2	2
50	135-178-* ①	Side Trim – Upper	2	2	2	2	2	2	2	2
51	See page 13	Thermostat Mounting Plate	X	X	X	X	X	X	X	X
52	104-1096	Left Thermostat Support Angle	X	X	X	X	X	X	X	X
53	103-442	Thermostat Support Offset	2	2	2	2	2	2	2	2
54	104-1097	Front Filter Angle	X	X	X	X	X	X	X	X
55	104-1096	Right Thermostat Support Angle	X	X	X	X	X	X	X	X
56	102-434	Sleeve Offset	X	X	X	X	X	X	X	X
57	117-237	Lower Control Panel Top	X	X	X	X	X	X	X	X
58	534-190	Evaporator Coil Shield – Left	X	X	X	X	X	X	X	X
59	103-443	Door Latch Offset	X	X	X	X	X	X	X	X
60	140-282	Transformer Support		X		X		X		X

① Exterior cabinet parts are manufactured with various color options. To insure that you receive the proper color, you must include the complete models and serial number of the unit for which parts are being ordered.

This Table references Exploded View on Page 1

# CABINET COMPONENTS

Drawing No.	Part No.	Description	QH482DA, DB QH602DA, DB	QH482DC QH602DC
1	506-226	Top Assembly	X	X
2	110-044	Outlet Duct Flange	2	2
3	See Page 12	Heater Package Assembly (Optional)	X	X
4	117-187	Low Voltage Box Assembly (Optional)	X	X
5	136-359	T. K. O. Plate	X	X
6	534-195	Evaporator Coil Shield – Right	X	X
7	508-149	Back Assembly	X	X
8	538-106	Fresh Air Damper Assembly	X	X
9	523-105	Evaporator Drain Pan Assembly	X	X
10	134-154	Wire Channel	X	X
11	140X277	Right Evaporator Support	X	X
12	124-046	Fan Shroud Back	X	X
13	143-066	Condenser Coil Fill	X	X
14	520-347	Condenser Partition Assembly	X	X
15	124-041	Fan Shroud Right Side	X	X
16	124-045	Fan Shroud Left Side	X	X
17	140-229	Condenser Coil Support	2	2
18	135-177-* ①	Side Trim – Lower	2	2
19	500-392-*①	Right Side Assembly	X	X
20	140-227	Subcooling Loop Hold Down	3	3
21	123-099	Condenser Drain Pan Assembly	X	X
22	527-294	Lower Base Assembly	X	X
23	102-415	Pile Seal Offset	2	2
24	117-240	Lower Control Panel Plate	X	X
25	134-194	Base Shield	X	X
26	140-276	Lower Roller Support	2	2
27	See Page 7	Control Panel Components	X	X
28	133-164	Control Panel Door – Lower	X	X
29	534-174-6	Base Trim Assembly	X	X
30	140-230	Drain Pan Support	X	X
31	552-334-* ①	Condenser Door Assembly	X	X
32	140-280	Upper Roller Support	2	2
33	536-351	Condenser Blank Off Plate	X	X
34	552-335-* ①	Filter Door Assembly	X	X
35	152-336-* ①	Circuit Breaker Door	X	X
36	116-238	Lower Control Panel Bottom	X	X
37	132-166	Pull Disconnect Door Inner		X
37	132-165	Circuit Breaker Door Inner	X	
38	113-281	Left Filter Bracket	X	X
39	552-333-* ①	Blower Door Assembly	X	X
<i>Continued on Page 5</i>				

① Exterior cabinet parts are manufactured with various color options. To insure that you receive the proper color, you must include the complete models and serial number of the unit for which parts are being ordered.

**This Table references Exploded View on Page 1**

# CABINET COMPONENTS

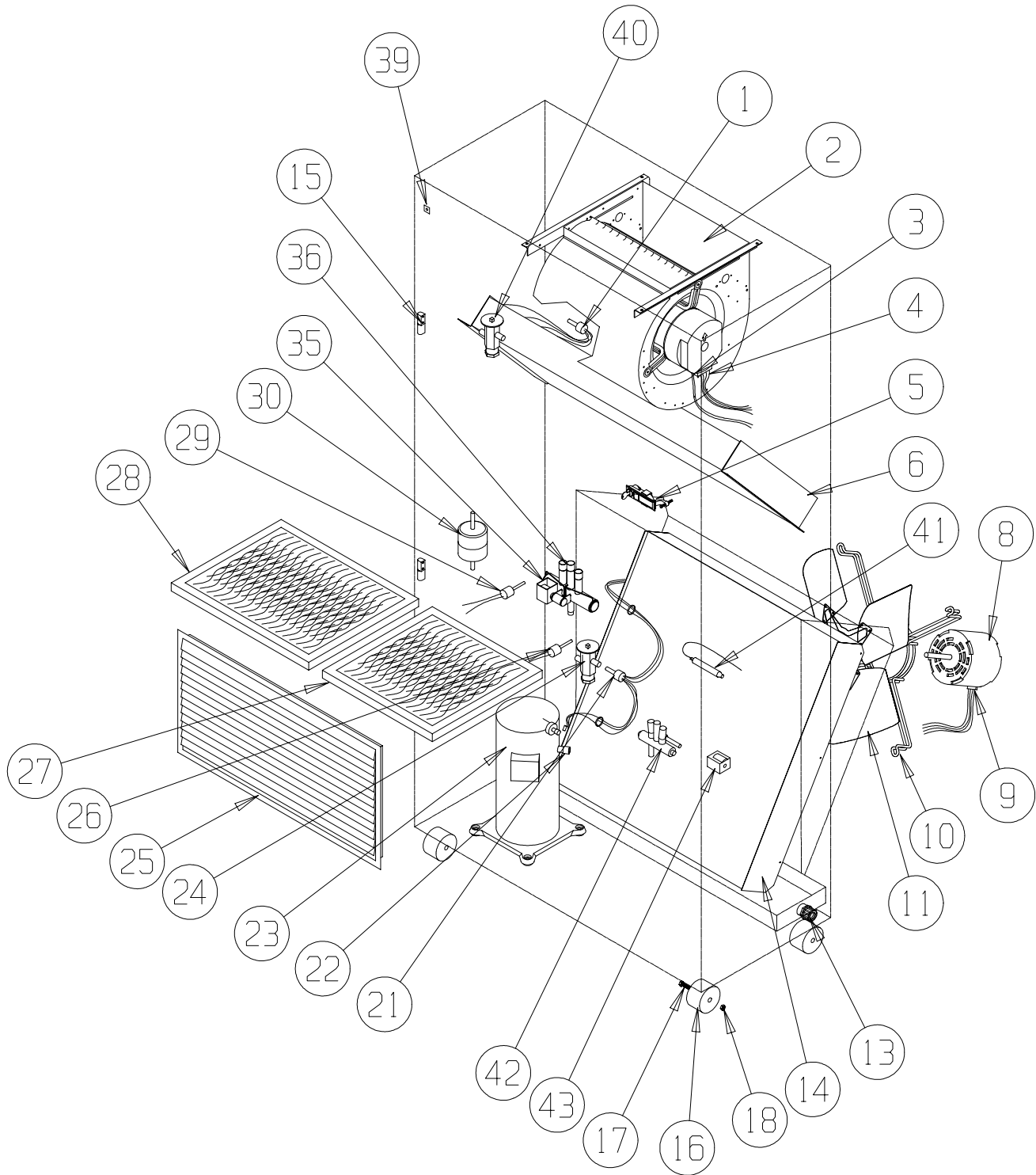
Drawing No.	Part No.	Description	QH482DA, DB QH602DA, DB		QH482DC QH602DC	
<i>Continued from Page 4</i>						
40	113-286	Right Filter Bracket	X		X	
41	140Y277	Left Evaporator Support	X		X	
42	116-243	Relay Control Panel	X		X	
43	500-393-* ①	Left Side Assembly	X		X	
44	113-142	Expansion Valve Mounting Plate	X		X	
45	134-165-* ①	Base Trim Extension	2		2	
46	112X283	Center Right Filter Bracket	X		X	
46	112Y283	Center Left Filter Bracket	X		X	
47	See Page 17	Pull Disconnect Assembly			X	
47	See Page 15	Circuit Breaker Box Assembly	X			
48	112-229	Heatstrip Bracket	X		X	
49	112-234	Mounting Bracket	2		2	
50	135-178-* ①	Side Trim – Upper	2		2	
51	See page 13	Thermostat Mounting Plate	X		X	
52	104-1096	Left Thermostat Support Angle	X		X	
53	103-442	Thermostat Support Offset	X		X	
54	104-1101	Front Filter Angle	X		X	
55	104-1096	Right Thermostat Support Angle	X		X	
56	102-434	Sleeve Offset	X		X	
57	117-237	Lower Control Panel Top	X		X	
58	534-190	Evaporator Coil Shield – Left	X		X	
59	103-443	Door Latch Offset	X		X	
60	140-282	Transformer Support			X	

- ① Exterior cabinet parts are manufactured with various color options. To insure that you receive the proper color, you must include the complete models and serial number of the unit for which parts are being ordered.

This Table references Exploded View on Page 1

**This page has been left blank intentionally.**

# FUNCTIONAL COMPONENTS



SEXP-376

**This Exploded View is referenced in Tables on pages 8, 9 & 10**



## FUNCTIONAL COMPONENTS

Drawing No.	Part No.	Description	QH242DA	QH242DB	QH242DC	QH302DA	QH302DB	QH302DC	QH362DA	QH362DB	QH362DC	QH422DA	QH422DB	QH422DC
1	5625-015	Distributor Cooling	X	X	X	X	X	X						
1	5625-020	Distributor Cooling							X	X	X	X	X	X
2	900-225-001	Blower Assembly	X	X	X									
2	900-225-002	Blower Assembly				X	X	X						
2	900-225-004	Blower Assembly							X	X	X	X	X	X
3	3000-1145	Wire Harness High Voltage			X			X			X			X
3	3000-1046	Wire Harness High Voltage	X	X		X	X		X	X		X	X	
4	3000-1042	Wire Harness Low Voltage	X	X	X	X	X	X	X	X	X	X	X	X
5	1171-049	Keypad/Circuit Breaker Door	X	X	X	X	X	X	X	X				
6	917-0039	Evaporator Coil Assembly	X	X	X	X	X	X						
6	917-0040	Evaporator Coil Assembly							X	X	X	X	X	X
8	8103-038	Motor			X			X			X			X
8	8103-037	Motor	X	X		X	X		X	X		X	X	
9	3000-1141	Wire Harness	X	X	X	X	X	X	X	X	X	X	X	X
10	8200-001	Motor Mount	X	X	X	X	X	X	X	X	X	X	X	X
11	5151-050	Fan Blade	X	X	X	X	X	X	X	X	X	X	X	X
13	6094-003	Drain Fitting	1	1	1	1	1	1	1	1	1	1	1	1
14	5051-095	Condenser Coil	X	X	X	X	X	X						
14	5051-096	Condenser Coil							X	X	X	X	X	X
15	5400-005	Hinge	2	2	2	2	2	2	2	2	2	2	2	2
16	1171-035	Wheel	4	4	4	4	4	4	4	4	4	4	4	4
17	1012-129	Bolt - Shoulder	4	4	4	4	4	4	4	4	4	4	4	4
18	1012-224	Nut - Locking	4	4	4	4	4	4	4	4	4	4	4	4
21	5625-008	Distributor - Heating	X	X	X	X	X	X						
21	5625-010	Distributor - Heating							X	X	X	X	X	X
22	910-1257	Defrost Sensor	X	X	X	X	X	X	X	X	X	X	X	X
23	8000-171	Compressor	X											
23	8000-201	Compressor		X										
23	8000-202	Compressor			X									
23	8000-172	Compressor				X								
23	8000-203	Compressor					X							
23	8000-204	Compressor						X						
23	8000-175	Compressor							X					
23	8000-163	Compressor								X				
23	8000-164	Compressor									X			
23	8000-177	Compressor										X		
23	8000-205	Compressor											X	
23	8000-206	Compressor												X
24	5651-137	TXV Heating	X	X	X									
24	5651-138	TXV Heating				X	X	X						
24	5651-102	TXV Heating							X	X	X	X	X	X
25	7051-034	Return Air Grille	X	X	X	X	X	X	X	X	X	X	X	X
26	8406-055	High Pressure Control	X	X	X	X	X	X	X	X	X	X	X	X
27	7004-009	Air Filter	X	X	X	X	X	X	X	X	X	X	X	X
27	7004-032	Filter 2" Fiberglass (Optional)	X	X	X	X	X	X	X	X	X	X	X	X
27	7004-034	Filter 2" Pleated (Optional)	X	X	X	X	X	X	X	X	X	X	X	X
28	7004-010	Air Filter	X	X	X	X	X	X	X	X	X	X	X	X
28	7004-033	Filter 2" Fiberglass (Optional)	X	X	X	X	X	X	X	X	X	X	X	X
28	7004-035	Filter 2" Pleated (Optional)	X	X	X	X	X	X	X	X	X	X	X	X

Continued on Page 7

**This Table references Exploded View on Page 7**

# FUNCTIONAL COMPONENTS

Drawing No.	Part No.	Description	QH242DA	QH242DB	QH242DC	QH302DA	QH302DB	QH302DC	QH362DA	QH362DB	QH362DC	QH422DA	QH422DB	QH422DC
<i>Continued from page 8</i>														
29	8406-061	Low Pressure Control	X	X	X	X	X	X	X	X	X	X	X	X
30	5201-009	Filter / Drier	X	X	X	X	X	X	X	X	X	X	X	X
35	5650-020	Reversing Valve	X	X	X									
35	5650-021	Reversing Valve				X	X	X						
35	5650-025	Reversing Valve							X	X	X	X	X	X
36	5650-022	Solenoid Coil	X	X	X	X	X	X	X	X	X	X	X	X
39	1012-315	"U" Clip Fastener	10	10	10	10	10	10	10	10	10	10	10	10
40	5651-137	TXV Cooling	X	X	X									
40	5651-138	TXV Cooling				X	X	X						
40	5651-102	TXV Cooling							X	X	X	X	X	X
42	5650-026	Three Way Valve	X	X	X	X	X	X	X	X	X	X	X	X
43	5650-027	Three Way Valve Solenoid	X	X	X	X	X	X	X	X	X	X	X	X
NS	1804-0108	Low Ambient Control	X	X	X	X	X	X	X	X	X	X	X	X

NS = Not Shown

Drawing No.	Part No.	Description	QH242DA	QH242DB	QH242DC	QH302DA	QH302DB	QH302DC	QH362DA	QH362DB	QH362DC	QH422DA	QH422DB	QH422DC
NS	4100-107	Wiring Diagram	X			X			X			X		
NS	4100-209	Wiring Diagram		X			X			X			X	
NS	4100-309	Wiring Diagram			X			X			X			X

NS = Not Shown

These Tables reference Exploded View on Page 7

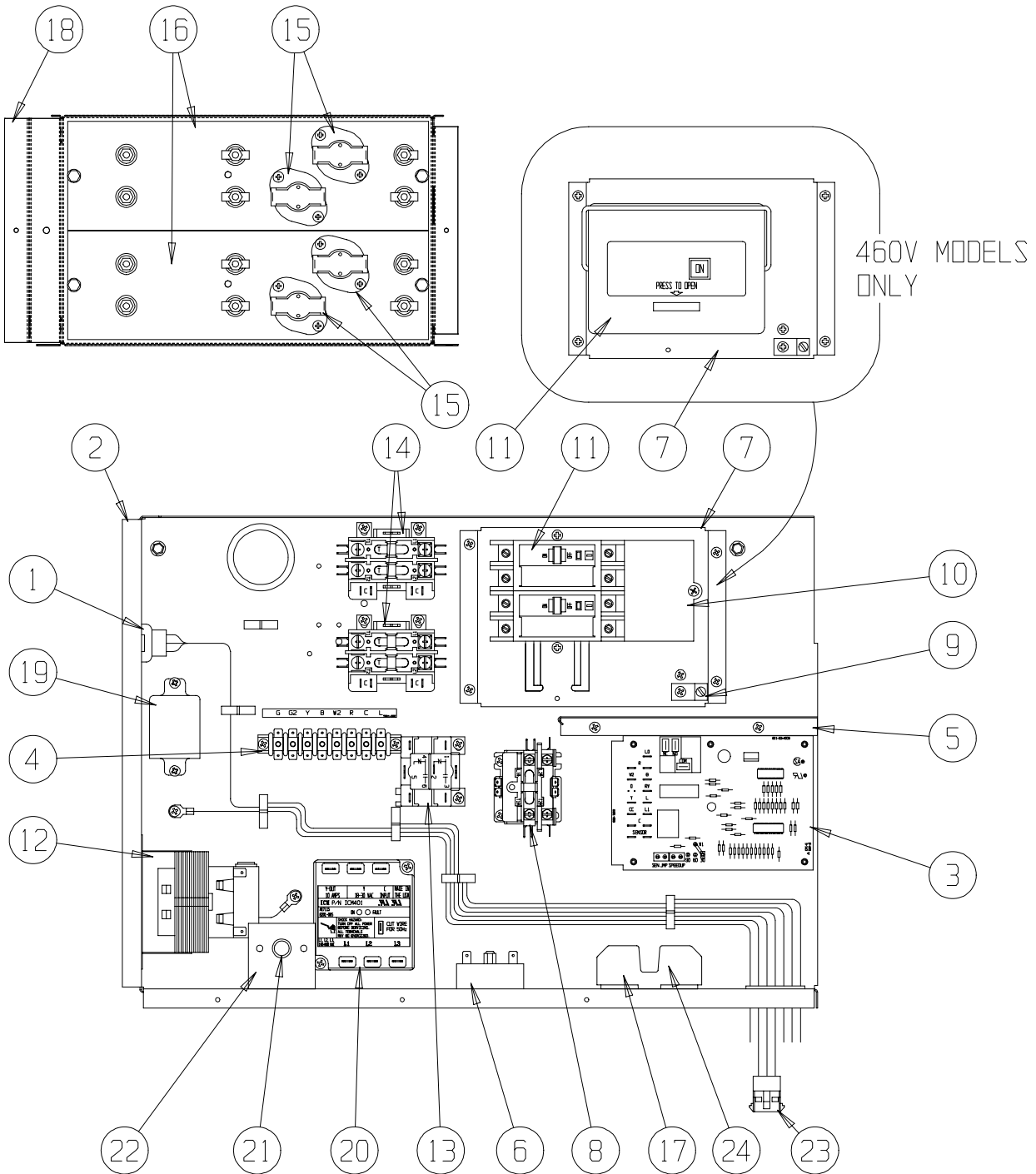
## FUNCTIONAL COMPONENTS

Drawing			QH482DA	QH482DB	QH482DC	QH602DA	QH602DB	QH602DC
No.	Part No.	Description						
1	5625-022	Cooling Distributor	X	X	X			
1	5625-019	Cooling Distributor				X	X	X
2	900-225-005	Blower Assembly	X	X	X			
2	900-254-001	Blower Assembly				X	X	X
3	3000-1145	Wire Harness High Voltage			X			X
3	3000-1046	Wire Harness High Voltage	X	X		X	X	
4	3000-1042	Wire Harness Low Voltage	X	X	X	X	X	X
5	1171-049	Keylatch/Circuit Breaker Door	X	X	X	X	X	X
6	917-0041	Evaporator Coil	X	X	X			
6	917-0069	Evaporator Coil				X	X	X
8	8103-038	Motor			X			X
8	8103-021	Motor	X	X		X	X	
9	3000-1141	Wire Harness	X	X	X	X	X	X
10	8200-001	Motor Mount	X	X	X	X	X	X
11	5151-050	Fan Blade	X	X	X	X	X	X
13	6094-003	Drain Fitting	2	2	2	2	2	2
14	5051-104	Condenser Coil	X	X	X	X	X	X
15	5400-005	Hinge	2	2	2	2	2	2
16	1171-035	Wheel	4	4	4	4	4	4
17	1012-129	Bolt - Shoulder	4	4	4	4	4	4
18	1012-224	Nut - Locking	4	4	4	4	4	4
21	5625-007	Distributor - Heating	X	X	X	X	X	X
22	910-1257	Defrost Sensor	X	X	X	X	X	X
23	8000-150	Compressor	X					
23	8000-162	Compressor		X				
23	8000-248	Compressor			X			
23	8000-150	Compressor				X		
23	8000-162	Compressor					X	
23	8000-248	Compressor						X
24	5651-103	TXV Heating	X	X	X			
24	5651-163	TXV Heating				X	X	X
25	7051-039	Return Air Grille	X	X	X	X	X	X
26	8406-055	High Pressure Control	X	X	X	X	X	X
27	7004-009	Air Filter	X	X	X	X	X	X
27	7004-032	Filter 2" Fiberglass (Optional)	X	X	X	X	X	X
27	7004-034	Filter 2" Pleated (Optional)	X	X	X	X	X	X
28	7004-011	Air Filter	X	X	X	X	X	X
28	7004-036	Filter 2" Fiberglass (Optional)	X	X	X	X	X	X
28	7004-037	Filter 2" Pleated (Optional)	X	X	X	X	X	X
29	8406-061	Low Pressure Control	X	X	X	X	X	X
30	5201-009	Filter / Drier	X	X	X	X	X	X
35	5650-025	Reversing Valve	X	X	X	X	X	X
36	5650-022	Solenoid Coil	X	X	X	X	X	X
39	1012-315	"U" Clip Fastener	10	10	10	10	10	10
40	5651-103	TXV Cooling	X	X	X			
40	5651-163	TXV Cooling				X	X	X
42	5650-026	Three Way Valve	X	X	X	X	X	X
43	5650-027	Three Way Valve Solenoid	X	X	X	X	X	X
NS	1804-0108	Low Ambient Control	X	X	X	X	X	X
NS	4100-107	Wiring Diagram	X			X		
NS	4100-209	Wiring Diagram		X			X	
NS	4100-309	Wiring Diagram			X			X

NS = Not Shown

These Tables reference Exploded View on Page 7

# UPPER CONTROL PANEL COMPONENTS



SEXP-373

**This Exploded View is referenced in Tables on pages 12 thru 17**

# UPPER CONTROL PANEL COMPONENTS

Drawing No.	Part No.	Description	QH242DA0Z	QH302DA0Z	QH362DA0Z	QH422DA0Z	QH482DA0Z	QH602DA0Z	QH242DA05	QH302DA05	QH362DA05	QH422DA05	QH482DA05	QH602DA05
1	3000-1149	Wire Set PL2	X	X	X	X	X	X	X	X	X	X	X	X
2	117-241	Control Panel	X	X	X	X	X	X	X	X	X	X	X	X
3	8201-069	Heat Pump Control	X	X	X	X	X	X	X	X	X	X	X	X
4	8607-022	Terminal Block	X	X	X	X	X	X	X	X	X	X	X	X
5	117-242	Box Partition	X	X	X	X	X	X	X	X	X	X	X	X
6	8201-078	Low Pressure TDR	X	X	X	X	X	X	X	X	X	X	X	X
7	126-267	Circuit Breaker Base	X	X	X	X	X	X	X	X	X	X	X	X
8	8401-007	Contactor	X	X	X				X	X				
8	8401-016	Contactor					X	X					X	X
9	8611-006	Ground Lug	X	X	X	X	X	X	X	X	X	X	X	X
10	8615-047	Jumper Bar Base											X	X
11	8615-036	Circuit Breaker 2 Pole 25A Ckt B											X	X
11	8615-037	Circuit Breaker 2 Pole 30A Ckt A	X											
11	8615-039	Circuit Breaker 2 Pole 45A Ckt A		X										
11	8615-040	Circuit Breaker 2 Pole 50A Ckt A			X	X			X				X	
11	8615-041	Circuit Breaker 2 Pole 60A Ckt A						X			X			X
12	8407-035	Transformer	X	X	X	X	X	X	X	X	X	X	X	X
14	8401-006	Contactor 2 Pole 20A							X	X	X	X	X	X
15	8402-100	Limits							1	1	1			
15	8402-131	Limits												X
16	8601-103	Heat Strip 5kW							X	X	X	X	X	X
18	118-191	Heat Strip Wrapper							X	X	X	X	X	X
19	8201-048	Relay							X	X	X	X	X	X
21	8611-094	Indicator Light	X	X	X	X	X	X	X	X	X	X	X	X
22	112-225	Bracket	X	X	X	X	X	X	X	X	X	X	X	X
23	3000-1148	Wire Set PL3	X	X	X	X	X	X	X	X	X	X	X	X
NS	132-145	Heat Strip Cover							X	X	X	X	X	X
NS	4010-100	Wiring Diagram	X	X	X	X	X							
NS	4101-101	Wiring Diagram							X	X				
NS	4101-106	Wiring Diagram											X	X

NS = Not Shown

This Table references Exploded View on Page 11

# UPPER CONTROL PANEL COMPONENTS

Drawing No.	Part No.	Description	QH242DA10	QH302DA10	QH362DA10	QH422DA10	QH482DA10	QH602DA10	QH362DA15	QH422DA15	QH482DA15	QH602DA15
1	3000-1149	Wire Set PL2	X	X	X	X	X	X	X	X	X	X
2	117-241	Control Panel	X	X	X	X	X	X	X	X	X	X
3	8201-069	Heat Pump Control	X	X	X	X	X	X	X	X	X	X
4	8607-022	Terminal Block	X	X	X	X	X	X	X	X	X	X
5	117-242	Box Partition	X	X	X	X	X	X	X	X	X	X
6	8201-078	Low Pressure TDR	X	X	X	X	X	X	X	X	X	X
7	126-267	Circuit Breaker Base	X	X	X	X	X	X	X	X	X	X
8	8401-007	Contactor	X	X					X			
8	8401-016	Contactor					X	X			X	X
9	8611-006	Ground Lug	X	X	X	X	X	X	X	X	X	X
10	8615-047	Jumper Bar Base	X	X	X	X	X	X	X	X	X	X
11	8615-037	Circuit Breaker 2 Pole 30A Ckt A	X									
11	8615-055	Circuit Breaker 2 Pole 40A Ckt A		X					X		X	
11	8615-040	Circuit Breaker 2 Pole 50A Ckt A			X					X		
11	8615-040	Circuit Breaker 2 Pole 50A Ckt B	X	X	X	X	X	X	X			X
11	8615-041	Circuit Breaker 2 Pole 60A Ckt A					X					X
12	8407-035	Transformer	X	X	X	X	X	X	X	X	X	X
14	8401-006	Contactor 2 Pole 20A	X	X	X	X	X	X	2	2	2	2
15	8402-100	Limits	2	2	2				3	3		
15	8402-131	Limits						2				3
16	8601-103	Heat Strip 5 kW							X	X	X	X
16	8601-104	Heat Strip 10 kW	X	X	X	X	X	X	X	X	X	X
18	118-191	Heat Strip Wrapper	X	X	X	X	X	X	X	X	X	X
19	8201-048	Relay	X	X	X	X	X	X	X	X	X	X
21	8611-094	Indicator Light	X	X	X	X	X	X	X	X	X	X
22	112-225	Bracket	X	X	X	X	X	X	X	X	X	X
23	3000-1148	Wire Set PL3	X	X	X	X	X	X	X	X	X	X
NS	132-145	Heat Strip Cover	X	X	X	X	X	X	X	X	X	X
NS	4010-102	Wiring Diagram	X	X	X	X	X					
NS	4101-103	Wiring Diagram							X	X	X	X

NS = Not Shown

**This Table references Exploded View on Page 11**

# UPPER CONTROL PANEL COMPONENTS

Drawing No.	Part No.	Description	QH242DB0Z	QH302DB0Z	QH362DB0Z	QH422DB0Z	QH482DB0Z	QH602DB0Z	QH242DB06	QH302DB06	QH362DB06	QH422DB06	QH482DB06
1	3000-1149	Wire Set PL2	X	X	X	X	X	X	X	X	X	X	X
2	117-241	Control Panel	X	X	X	X	X	X	X	X	X	X	X
3	8201-069	Heat Pump Control	X	X	X	X	X	X	X	X	X	X	X
4	8607-022	Terminal Block	X	X	X	X	X	X	X	X	X	X	X
5	117-242	Box Partition	X	X	X	X	X	X	X	X	X	X	X
6	8201-078	Low Pressure TDR	X	X	X	X	X	X	X	X	X	X	X
7	126-267	Circuit Breaker Base	X	X	X	X	X	X	X	X	X	X	X
8	8401-002	Contacto	X	X	X	X	X	X	X	X	X	X	X
9	8611-006	Ground Lug	X	X	X	X	X	X	X	X	X	X	X
11	8615-054	Circuit Breaker 3 Pole 20A	X										
11	8615-051	Circuit Breaker 3 Pole 25A		X									
11	8615-052	Circuit Breaker 3 Pole 30A			X								
11	8615-042	Circuit Breaker 3 Pole 35A				X			X				
11	8615-043	Circuit Breaker 3 Pole 40A								X			
11	8615-044	Circuit Breaker 3 Pole 45A						X					X
12	8407-035	Transformer	X	X	X	X	X	X	X	X	X	X	X
14	8401-006	Contacto 2 Pole 20A							X	X	X	X	X
15	8402-100	Limits							2	2	2	2	2
16	8601-105	Heat Strip 6 kW							X	X	X	X	X
18	118-191	Heat Strip Wrapper							X	X	X	X	X
19	8201-048	Relay							X	X	X	X	X
21	8611-094	Indicator Light	X	X	X	X	X	X	X	X	X	X	X
22	112-225	Bracket	X	X	X	X	X	X	X	X	X	X	X
23	3000-1148	Wire Set PL3	X	X	X	X	X	X	X	X	X	X	X
NS	132-145	Heat Strip Cover							X	X	X	X	X
NS	4010-200	Wiring Diagram	X	X	X	X	X	X					
NS	4101-201	Wiring Diagram							X	X	X	X	X

NS = Not Shown

This Table references Exploded View on Page 11

# UPPER CONTROL PANEL COMPONENTS

Drawing No.	Part No.	Description	QH242DB09	QH302DB09	QH362DB09	QH422DB09	QH482DB09	QH602DB09	QH302DB12	QH362DB15	QH533DB15	QH482DB15	QH602DB15
1	3000-1149	Wire Set PL2	X	X	X	X	X	X	X	X	X	X	X
2	117-241	Control Panel	X	X	X	X	X	X	X	X	X	X	X
3	8201-069	Heat Pump Control	X	X	X	X	X	X	X	X	X	X	X
4	8607-022	Terminal Block	X	X	X	X	X	X	X	X	X	X	X
5	117-242	Box Partition	X	X	X	X	X	X	X	X	X	X	X
6	8201-078	Low Pressure TDR	X	X	X	X	X	X	X	X	X	X	X
7	126-267	Circuit Breaker Base	X	X	X	X	X	X	X	X	X	X	X
8	8401-002	Contactor	X	X	X	X	X	X	X	X	X	X	X
9	8611-006	Ground Lug	X	X	X	X	X	X	X	X	X	X	X
11	8615-044	Circuit Breaker 3 Pole 45A	X										
11	8615-045	Circuit Breaker 3 Pole 50A		X									
11	8615-046	Circuit Breaker 3 Pole 60A			X	X	X	X		X			X
12	8407-035	Transformer	X	X	X	X	X	X	X	X	X	X	X
14	8401-006	Contactor 2 Pole 20A	X	X	X	X	X	X	X	2	2	2	X
15	8402-100	Limits	2	2	2			4		4			
15	8402-131	Limits					2						4
16	8601-105	Heat Strip 6 kW						2		X			X
16	8604-106	Heat Strip 9 kW	X	X	X	X	X			X			X
18	118-191	Heat Strip Wrapper	X	X	X	X	X	X	X	X	X	X	X
19	8201-048	Relay	X	X	X	X	X	X	X	X	X	X	X
21	8611-094	Indicator Light	X	X	X	X	X	X	X	X	X	X	X
22	112-225	Bracket	X	X	X	X	X	X	X	X	X	X	X
23	3000-1148	Wire Set PL3	X	X	X	X	X	X	X	X	X	X	X
NS	132-145	Heat Strip Cover	X	X	X	X	X	X	X	X	X	X	X
NS	4010-201	Wiring Diagram	X	X	X	X	X						
NS	4101-202	Wiring Diagram								X			X
NS	4101-203	Wiring Diagram						X					

NS = Not Shown

This Table references Exploded View on Page 11



## UPPER CONTROL PANEL COMPONENTS

Drawing No.	Part No.	Description	QH242DC0Z	QH302DC0Z	QH362DC0Z	QH422DC0Z	QH482DC0Z	QH602DC0Z	QH242DC06	QH302DC06	QH362DC06	QH422DC06	QH482DC06
1	3000-1149	Wire Set PL2	X					X	X	X			
2	117-241	Control Panel	X					X	X	X			
3	8201-069	Heat Pump Control	X					X	X	X			
4	8607-022	Terminal Block	X					X	X	X			
5	117-242	Box Partition	X					X	X	X			
6	8201-078	Low Pressure TDR	X					X	X	X			
7	126-269	Pull Disconnect Base	X					X	X	X			
8	8401-002	Contactora	X					X	X	X			
9	8611-006	Ground Lug	X					X	X	X			
11	8615-053	Pull Disconnect	X					X	X	X			
12	8407-035	Transformer	X					X	X	X			
13	8201-009	Relay OMR	X					X	X	X			
14	8401-002	Contactora 3 Pole 25A	X					X	X	X			
15	8402-100	Limits									2		
16	8604-107	Heat Strip 6 kW 480V									X		
17	8614-041	Fuse Holder	X					X	X	X			
18	118-191	Heat Strip Wrapper									X		
19	8201-048	Relay									X		
20	8201-085	Phase Monitor	X					X	X	X			
21	8611-094	Indicator Light	X					X	X	X			
22	112-225	Bracket	X					X	X	X			
23	3000-1148	Wire Set PL3	X					X	X	X			
NS	8407-052	Transformer Stepdown 1.0 KVA	X								X		
NS	8407-053	Transformer Stepdown 1.5 KVA	X					X	X	X			
NS	8407-054	Transformer Stepdown 2.0 KVA						X					
NS	8614-046	Fuses Class CC 5.0A ①	2					2			2		
NS	8614-047	Fuses Class CC 3.2A ②	2								2		
NS	8614-042	Fuses Class CC 7.0A ③						2					
NS	132-145	Heat Strip Cover									X		
NS	4010-300	Wiring Diagram	X					X	X				
NS	4101-301	Wiring Diagram									X		

NS = Not Shown

① 5.0 Amp fuses used with 1.5 KVA transformer.

② 3.2 Amp fuses used with 1 KVA transformer.

③ 7.0 Amp fuses used with 2 KVA transformer

**This Table references Exploded View on Page 11**

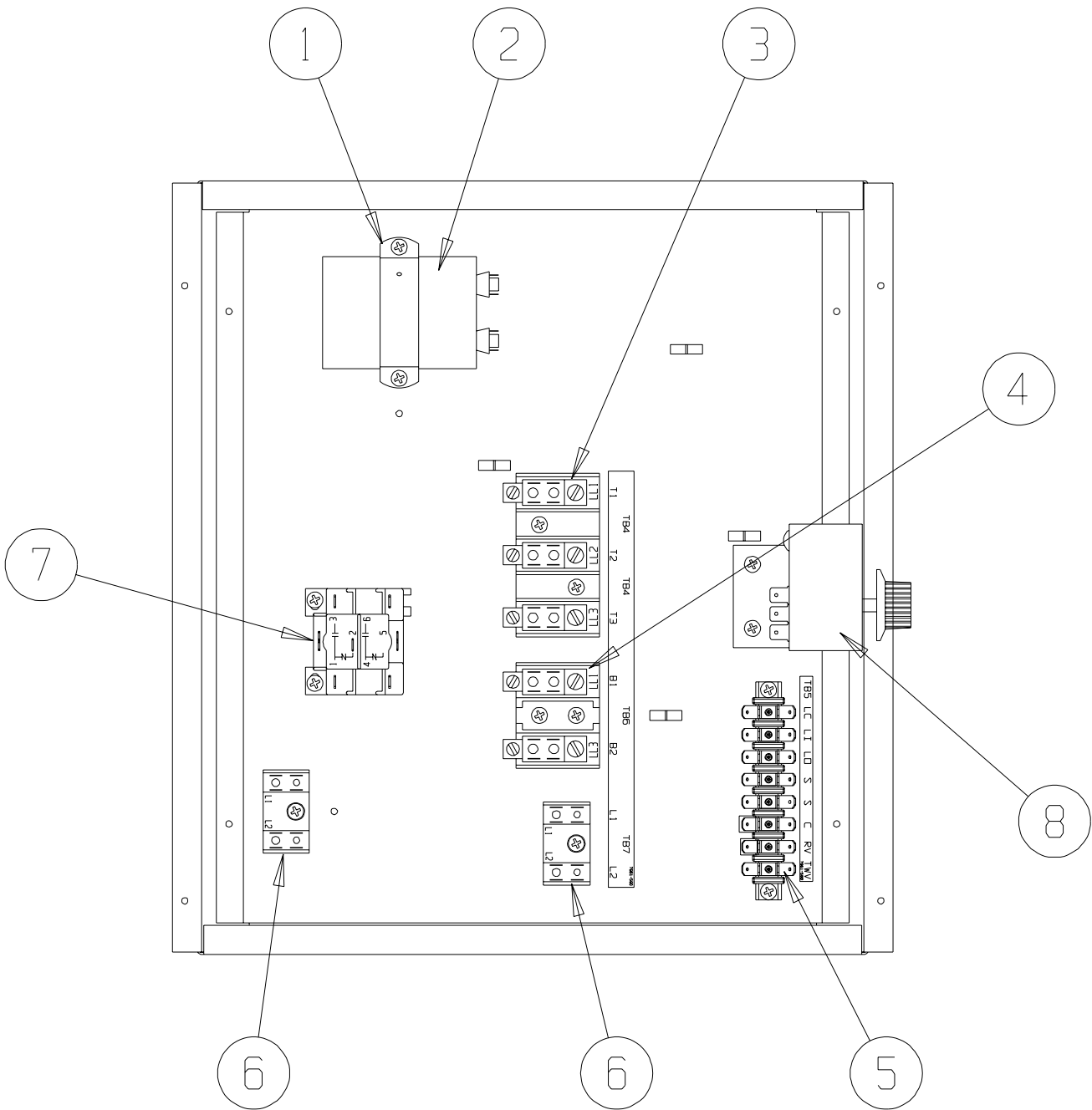
# UPPER CONTROL PANEL COMPONENTS

Drawing No.	Part No.	Description	QH242DC09	QH302DC09	QH362DC09	QH422DC09	QH482DC09	QH602DC09	QH302DC12	QH362DC15	QH422DC15	QH482DC15	QH602DC15
1	3000-1149	Wire Set PL2	X	X	X	X	X	X	X	X	X	X	X
2	117-241	Control Panel	X	X	X	X	X	X	X	X	X	X	X
3	8201-069	Heat Pump Control	X	X	X	X	X	X	X	X	X	X	X
4	8607-022	Terminal Block	X	X	X	X	X	X	X	X	X	X	X
5	117-242	Box Partition	X	X	X	X	X	X	X	X	X	X	X
6	8201-078	Low Pressure TDR	X	X	X	X	X	X	X	X	X	X	X
7	126-269	Pull Disconnect Base	X	X	X	X	X	X	X	X	X	X	X
8	8401-002	Contactora	X	X	X	X	X	X	X	X	X	X	X
9	8611-006	Ground Lug	X	X	X	X	X	X	X	X	X	X	X
11	8615-053	Pull Disconnect	X	X	X	X	X	X	X	X	X	X	X
12	8407-035	Transformer	X	X	X	X	X	X	X	X	X	X	X
13	8201-009	Relay OMR	X	X	X	X	X	X	X	X	X	X	X
14	8401-002	Contactora 3 Pole 25A	X	X	X	X	X	X	X	2	X	X	X
15	8402-100	Limits	2						4	4			
15	8402-131	Limits						2					4
16	8604-107	Heat Strip 6 kW 480V							2	X	X		X
16	8604-108	Heat Strip 9kW 480V	X	X									
17	8614-041	Fuse Holder	X	X	X	X	X	X	X	X	X	X	X
18	118-191	Heat Strip Wrapper	X	X	X	X	X	X	X	X	X	X	X
19	8201-048	Relay	X	X	X	X	X	X	X	X	X	X	X
20	8201-085	Phase Monitor	X	X	X	X	X	X	X	X	X	X	X
21	8611-094	Indicator Light	X	X	X	X	X	X	X	X	X	X	X
22	112-225	Bracket	X	X	X	X	X	X	X	X	X	X	X
23	3000-1148	Wire Set PL3	X	X	X	X	X	X	X	X	X	X	X
NS	8407-052	Transformer Stepdown 1.0 KVA	X						X	X			
NS	8407-053	Transformer Stepdown 1.5 KVA	X	X	X	X	X	X	X	X	X	X	X
NS	8407-054	Transformer Stepdown 2.0 KVA		X									X
NS	8614-046	Fuses Class CC 5.0A ①	2	2	2	2	2	2	2	2	2	2	2
NS	8614-047	Fuses Class CC 3.2A ②	2						2	2			
NS	8614-042	Fuses Class CC 7.0A ③						2					2
NS	132-145	Heat Strip Cover	X	X	X	X	X	X	X	X	X	X	X
NS	4010-301	Wiring Diagram	X	X									
NS	4101-302	Wiring Diagram								X	X		
NS	4101-303	Wiring Diagram							X				

This Table references Exploded View on Page 11

**This page has been left blank intentionally.**

# LOWER CONTROL PANEL COMPONENTS



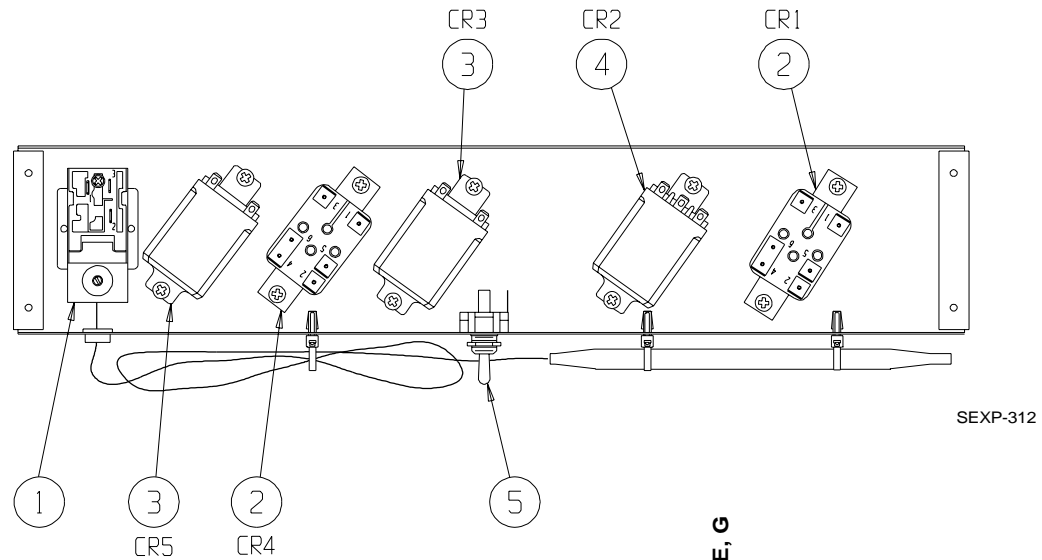
SEXP-374

## LOWER CONTROL PANEL COMPONENTS

Drawing No.	Part No.	Description	QH242DA	QH302DA	QH362DA	QH422DA	QH482DA	QH602DA	QH242DB	QH302DB	QH362DB	QH422DB	QH482DB	QH602DB	QH242DC	QH302DC	QH362DC	QH422DC	QH482DC	QH602DC
1	8552-008	Capacitor Strap	X	X	X	X	X	X												
1	8552-003	Capacitor Strap								X								X		
2	8552-002	Fan Capacitor								X								X		
2	8552-050	Compressor Capacitor	X																	
2	8552-052	Compressor Capacitor		X																
2	8552-063	Compressor Capacitor			X															
2	8552-062	Compressor Capacitor				X														
2	8552-076	Compressor Capacitor						X												
3	8607-014	Terminal Block 3 Ter								X								X		
4	8607-013	Terminal Block 2 Ter	X	X	X	X	X	X										X		
5	8607-022	Terminal Block 8 Pos	X	X	X	X	X	X		X								X		
6	8607-017	Terminal Block 2 Ter	X	X	X	X	X	X		X								X		
7	8201-032	Low Ambient Bypass Relay (Opt)	X	X	X	X	X	X		X								X		
8	8408-034	Outdoor Thermostat ①	X	X	X	X	X	X		X								X		

① Optional on standard models. Standard on low ampacity models.

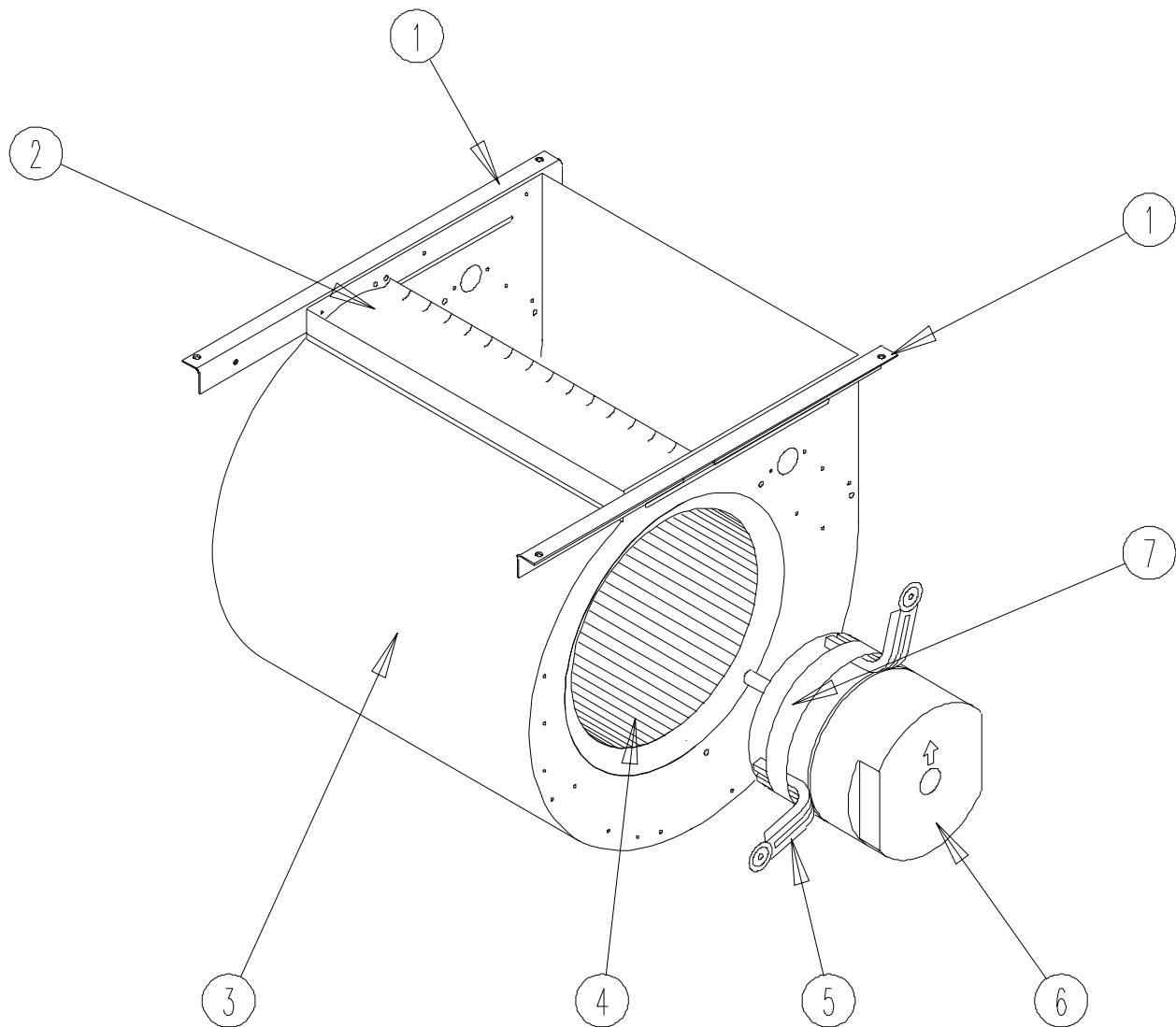
## DEHUMIDIFICATION MODULE COMPONENTS



Drawing No.	Part No.	Description	Options X, E, G	Option F
1	8408-037	Return Air Thermostat	X	X
2	8201-062	Relay CR1, CR4	2	2
3	8201-048	Relay CR3, CR5	2	2
4	8201-071	Relay CR2	1	1
5	8406-020	Toggle Switch	X	X
NS	3000-1154	Wire Harness P2 to P4	X	
NS	3000-1153	Wire Harness P2 to P4		X

# BLOWER ASSEMBLY COMPONENTS

---



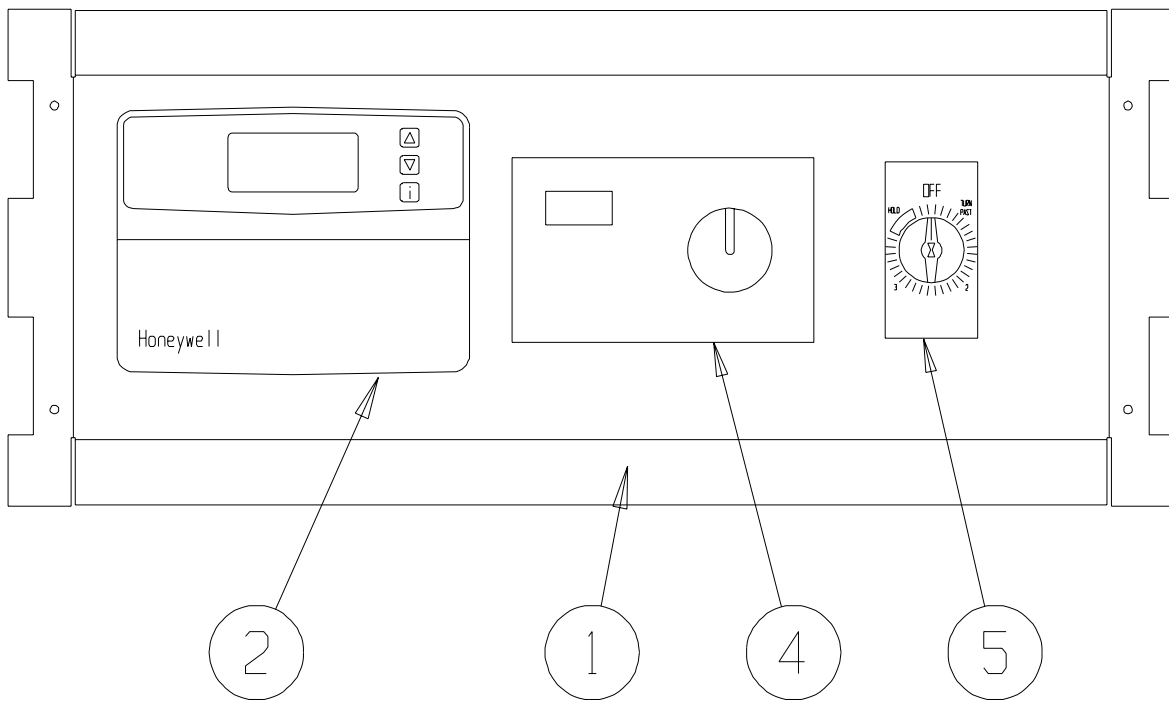
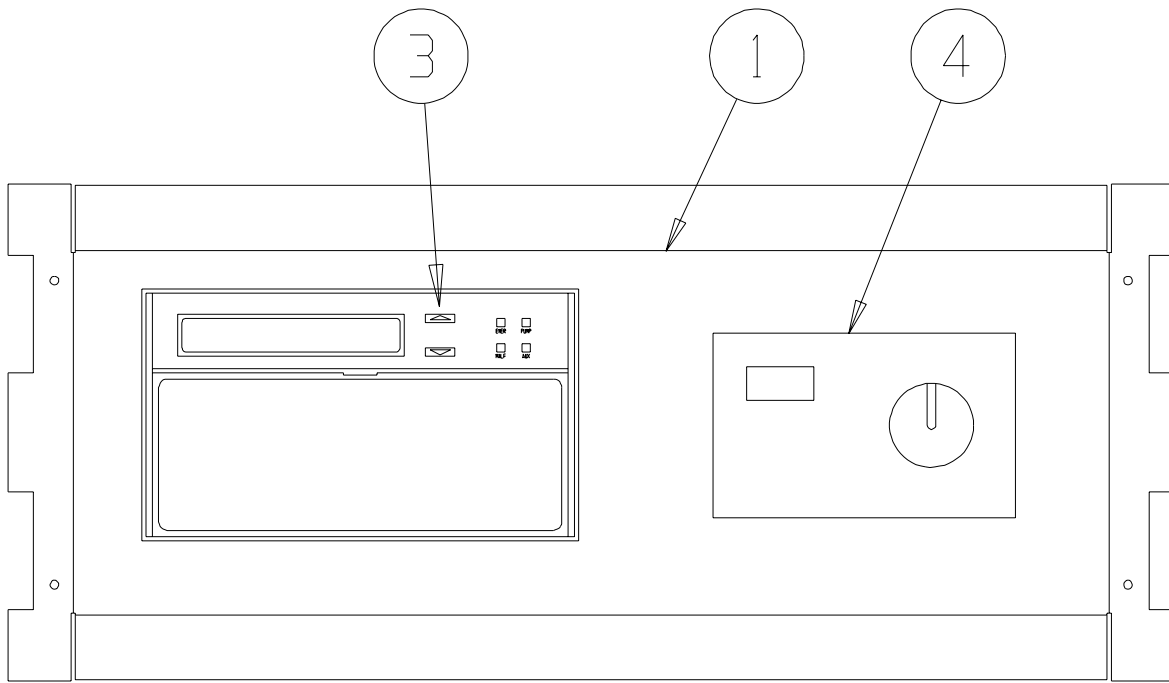
SEXP-245

## BLOWER ASSEMBLY COMPONENTS

Drawing No.	Part No.	Description	900-255-001	900-225-002	900-225-004	900-225-005	900-254-001
1	104-980	Blower Angle	2	2	2	2	2
2	144-131	Diffuser	X	X	X	X	X
3	151-110	Blower Housing	X	X	X	X	X
4	5152-061	Blower Wheel	X	X	X	X	X
5	8200-034	Motor Mount Arm	3	3	3	3	3
6	8106-035-0003	Motor	X				
6	8106-035-0004	Motor		X			
6	8106-035-0005A	Motor			X		
6	8106-035-0013	Motor				X	
6	8107-009-0024	Motor					X
7	8200-033	Motor Mount Band	X	X	X	X	X

# OPTIONAL CLIMATE CONTROLS

---



SEXP-371



# OPTIONAL CLIMATE CONTROLS

Drawing No.	Part No.	Description	QH242, QH302 QH362, QH422				QH482 QH602				
			Option X	Option E	Option F	Option G	Option X	Option E	Option F	Option G	
1	127-313-* ①	Thermostat Plate	X				X				
1	127-314-* ①	Thermostat Plate		X		X		X			X
1	127-312-* ①	Thermostat Plate			X				X		
2	8403-042	Electronic, Non-prgrammable, Manual/Auto Change Over			X	X			X		X
3	8403-034	Electronic, Prgrammable, Manual/Auto Change Over		X				X			
4	8403-047	Humidistat		X	X	X		X	X	X	X
5	8612-015	Timer			X				X		
NS	3000-1151	Wire Harness, Low Voltage Terminal Strip to PL2	X				X				
NS	3000-1152	Wire Harness, Thermostat to PL2		X				X			
NS	3000-1150	Wire Harness, Thermostat to PL2			X				X		
NS	3000-1160	Wire Harness, Thermostat to PL2				X					X
NS	8607-019	Low Voltage Terminal Strip	X			X	X				X
NS	8607-021	Low Voltage Terminal Strip 8 Terminal	X				X				
NS	4102-023	Wiring Diagram	X				X				
NS	4102-025	Wiring Diagram		X				X			
NS	4102-024	Wiring Diagram			X				X		
NS	4102-027	Wiring Diagram				X					X

① Exterior cabinet parts are manufactured with various color options. To insure that you receive the proper color, you must include the complete models and serial number of the unit for which parts are being ordered.

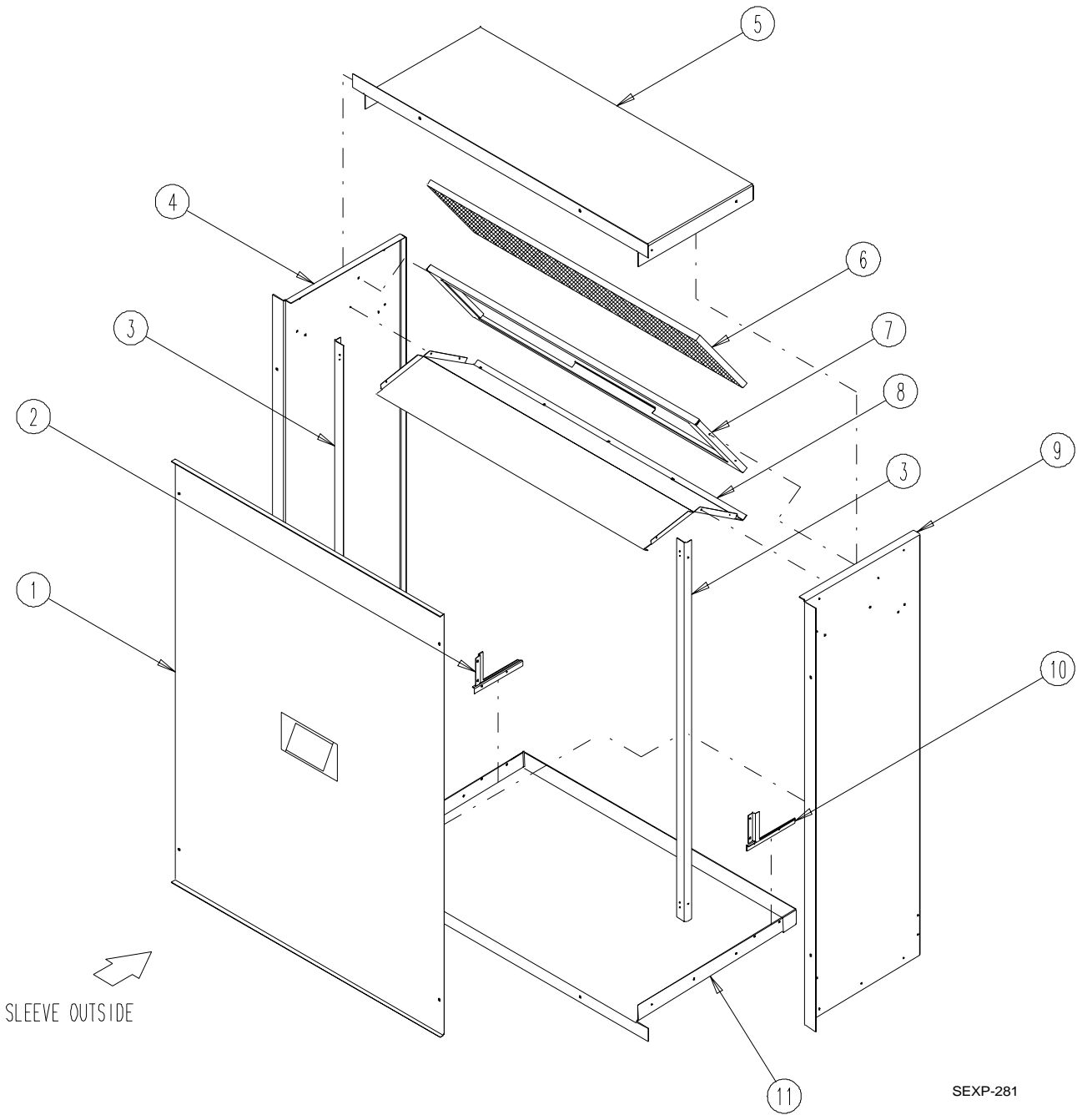
NS Not Shown

### CLIMATE CONTROL OPTION NOMENCLATURE AS SHOWN IN UNIT MODEL NUMBER

QH 362 D A 09 X X X X X X

- X – None
- E – Electronic, programmable, manual/auto change over
- F – Electronic, non-programmable, manual/auto change over with timer and humidistat
- G – Electronic, non-programmable, manual/auto change over with humidistat

# WALL SLEEVE CABINET COMPONENTS



SEXP-281

## WALL SLEEVE CABINET COMPONENTS

Drawing No.	Part No.	Description	QWS42	QWS42-16	QWS48	QWS48-16
1	142-056	Cover	X	X		
1	142-068	Cover			X	X
2	136Y361	Left Side Seal Angle	X	X	X	X
3	104-988	Angle	2	2	2	2
4	110Y045	Left Side	X		X	
4	110Y048	Left Side		X		X
5	110-047	Top	X			
5	110-050	Top		X		
5	110-056	Top			X	
5	110-070	Top				X
6	7003-044	Mist Eliminator	X	X	X	X
7	130-120	Filter Tray	X	X		
7	130-128	Filter Tray			X	X
8	120-305	Partition	X			
8	120-309	Partition		X		
8	120-322	Partition			X	
8	120-348	Partition				X
9	110X045	Right Side	X		X	
9	110X048	Right Side		X		X
10	136X361	Right Side Seal Angle	X	X		
10	136-404	Right Side Seal Angle			X	X
11	111-046	Base	X			
11	111-049	Base		X		
11	111-055	Base			X	
11	111-071	Base				X