
REPLACEMENT PARTS MANUAL

QTEC SERIES PACKAGED HEAT PUMP

Models:
QH242D QH302D
QH362D QH422D
QH482D

General Notes

- Revised and/or additional pages may be issued from time to time.
- A complete and current manual consists of pages shown in the following contents section.

Contents

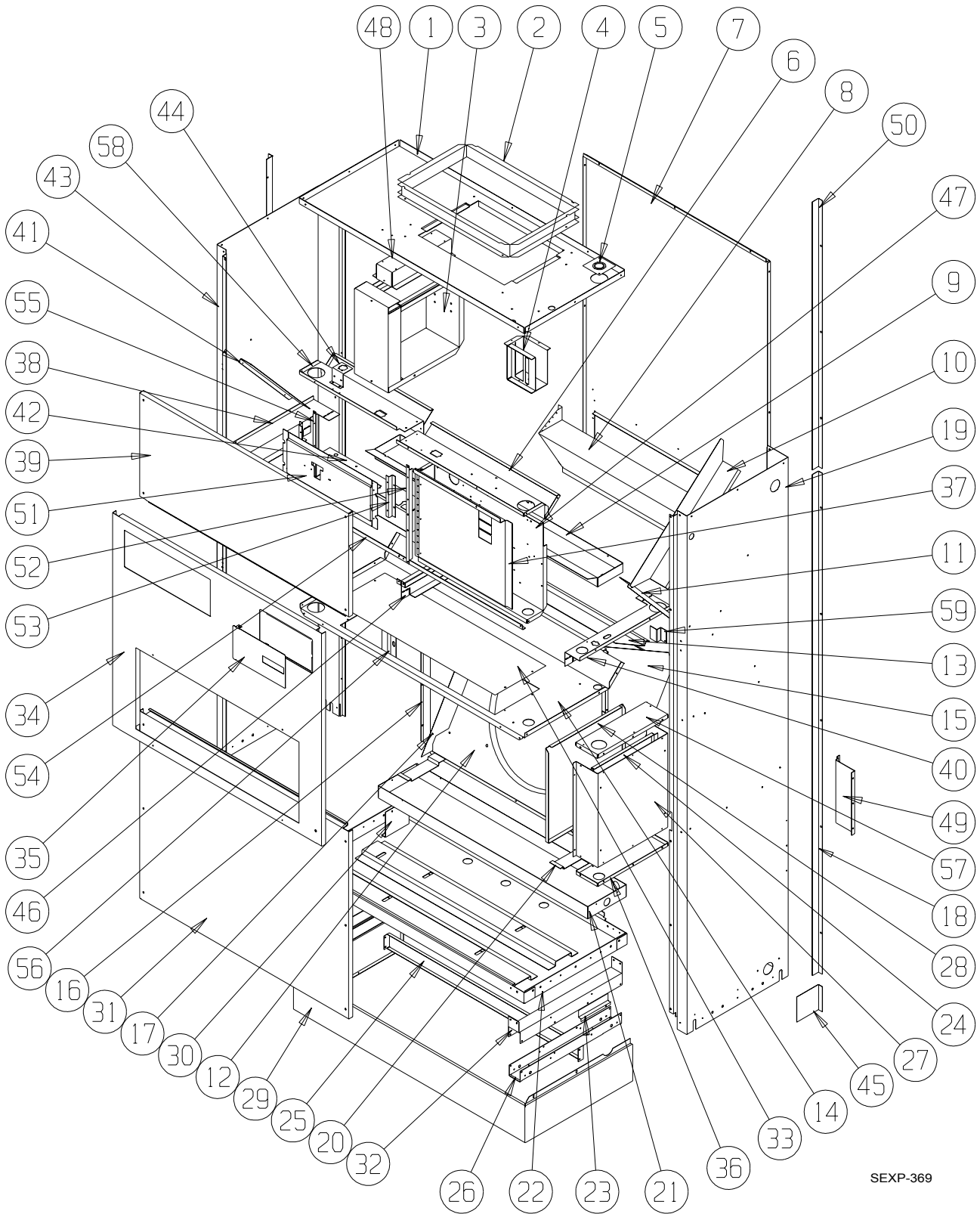
Description	Page
Cabinet Components	
♦ Exploded View	1
♦ Usage List	2
♦ Usage List	3
♦ Usage List	4
♦ Usage List	5
♦ Blank Page	6
Functional Components	
♦ Exploded View	7
♦ Usage List	8
♦ Usage List	9
♦ Usage List	10
Upper Control Panel Components	
♦ Exploded View	11
♦ Usage List	12
♦ Usage List	13
♦ Usage List	14
Lower Control Panel Components	
♦ Exploded View	15
♦ Usage List	16
Dehumidification Module Components	
♦ Exploded View	16
♦ Usage List	16
Blower Assembly Components	
♦ Exploded View	17
♦ Usage List	18
Optional Climate Control Components	
♦ Exploded View	19
♦ Usage List	20
Wall Sleeve Cabinet Components	
♦ Exploded View	21
♦ Usage List	22



BARD MANUFACTURING COMPANY
Bryan, Ohio 43506
Since 1914...Moving ahead, just as planned.

Manual: 2110-534
Supersedes:
File: Tab 14
Date: 12-29-00

CABINET COMPONENTS



SEXP-369

This Exploded View is referenced in Tables on Page 2, 3,4 & 5

CABINET COMPONENTS

Drawing No.	Part No.	Description	QH242DA, B	QH242DC	QH302DA, B	QH302DC	QH362DA, B	QH362DC	QH422DA, B	QH422DC
1	506-225	Top Assembly	X	X	X	X	X	X	X	X
2	110-044	Outlet Duct Flange	2	2	2	2	2	2	2	2
3	See Page 12	Heater Package Assembly (Optional)	X	X	X	X	X	X	X	X
4	117-187	Low Voltage Box Assembly (Optional)	X	X	X	X	X	X	X	X
5	136-359	T. K. O. Plate	X	X	X	X	X	X	X	X
6	534-191	Evaporator Coil Shield – Right	X	X	X	X	X	X	X	X
7	508-133	Back Assembly	X	X	X	X	X	X	X	X
8	538-106	Fresh Air Damper Assembly	X	X	X	X	X	X	X	X
9	523-104	Evaporator Drain Pan Assembly	X	X	X	X	X	X	X	X
10	134-154	Wire Channel	X	X	X	X	X	X	X	X
11	140X277	Right Evaporator Support	X	X	X	X	X	X	X	X
12	124-032	Fan Shroud Back	X	X	X	X	X	X	X	X
13	142-055	Condenser Coil Fill	X	X	X	X	X	X	X	X
14	520-346	Condenser Partition Assembly	X	X	X	X	X	X	X	X
15	124X043	Fan Shroud Right Side	X	X	X	X	X	X	X	X
16	124Y043	Fan Shroud Left Side	X	X	X	X	X	X	X	X
17	140-229	Condenser Coil Support	2	2	2	2	2	2	2	2
18	135-177-* ①	Side Trim – Lower	2	2	2	2	2	2	2	2
19	500-392-* ①	Right Side Assembly	X	X	X	X	X	X	X	X
20	140-227	Subcooling Loop Hold Down	3	3	3	3	3	3	3	3
21	123-094	Condenser Drain Pan Assembly	X	X	X	X	X	X	X	X
22	527-309-X	Lower Base Assembly	X	X	X	X	X	X	X	X
23	102-415	Pile Seal Offset	2	2	2	2	2	2	2	2
24	117-240	Lower Control Panel Plate	X	X	X	X	X	X	X	X
25	135-189	Base Shield	X	X	X	X	X	X	X	X
26	140-276	Lower Roller Support	2	2	2	2	2	2	2	2
27	See Page 7	Control Panel Components	X	X	X	X	X	X	X	X
28	133-164	Control Panel Door – Lower	X	X	X	X	X	X	X	X
29	534-155-* ①	Base Trim Assembly	X	X	X	X	X	X	X	X
30	140-230	Drain Pan Support	X	X	X	X	X	X	X	X
31	552-332-* ①	Condenser Door Assembly	X	X	X	X	X	X	X	X
32	140-280	Upper Roller Support	2	2	2	2	2	2	2	2
33	536-351	Condenser Blank Off Plate	X	X	X	X	X	X	X	X
34	552-330-* ①	Filter Door Assembly	X	X	X	X	X	X	X	X
35	152-336-* ①	Circuit Breaker Door	X	X	X	X	X	X	X	X
36	116-238	Lower Control Panel Bottom	X	X	X	X	X	X	X	X
37	132-166	Pull Disconnect Door Inner		X		X		X		X
37	132-165	Circuit Breaker Door Inner	X		X		X		X	
38	113-281	Left Filter Bracket	X	X	X	X	X	X	X	X
39	552-331-* ①	Blower Door Assembly	X	X	X	X	X	X	X	X

Continued on Page 3

À Exterior cabinet parts are manufactured with various color options. To insure that you receive the proper color, you must include the complete models and serial number of the unit for which parts are being ordered.

This Table references Exploded View on Page 1

CABINET COMPONENTS

Drawing No.	Part No.	Description	QH242DA, DB	QH242DC	QH302DA,D B	QH302DC	QH362-D, DB	QH362DC	QH422DA, DB	QH422DC
<i>Continued from Page 2</i>										
40	113-282	Right Filter Bracket	X	X	X	X	X	X	X	X
41	140Y277	Left Evaporator Support	X	X	X	X	X	X	X	X
42	117-243	Relay Control Panel	X	X	X	X	X	X	X	X
43	500-391-* ①	Left Side Assembly	X	X	X	X	X	X	X	X
44	113-142	Expansion Valve Mounting Plate	X	X	X	X	X	X	X	X
45	135-165-* ①	Base Trim Extension	2	2	2	2	2	2	2	2
46	112X283	Center Right Filter Bracket	X	X	X	X	X	X	X	X
46	112Y283	Center Left Filter Bracket	X	X	X	X	X	X	X	X
47	See Page 17	Pull Disconnect Assembly		X		X		X		X
47	See Page 15	Circuit Breaker Box Assembly	X		X		X		X	
48	112-229	Heatstrip Bracket	X	X	X	X	X	X	X	X
49	112-234	Mounting Bracket	2	2	2	2	2	2	2	2
50	135-178-* ①	Side Trim – Upper	2	2	2	2	2	2	2	2
51	See page 13	Thermostat Mounting Plate	X	X	X	X	X	X	X	X
52	104-1096	Left Thermostat Support Angle	X	X	X	X	X	X	X	X
53	103-442	Thermostat Support Offset	2	2	2	2	2	2	2	2
54	104-1097	Front Filter Angle	X	X	X	X	X	X	X	X
55	104-1096	Right Thermostat Support Angle	X	X	X	X	X	X	X	X
56	102-434	Sleeve Offset	X	X	X	X	X	X	X	X
57	117-237	Lower Control Panel Top	X	X	X	X	X	X	X	X
58	534-190	Evaporator Coil Shield – Left	X	X	X	X	X	X	X	X
59	103-443	Door Latch Offset	X	X	X	X	X	X	X	X

À Exterior cabinet parts are manufactured with various color options. To insure that you receive the proper color, you must include the complete models and serial number of the unit for which parts are being ordered.

This Table references Exploded View on Page 1

CABINET COMPONENTS

Drawing No.	Part No.	Description	QH482DA, DB QH602DA, DB	QH482DC
1	506-226	Top Assembly	X	X
2	110-044	Outlet Duct Flange	2	2
3	See Page 12	Heater Package Assembly (Optional)	X	X
4	117-187	Low Voltage Box Assembly (Optional)	X	X
5	136-359	T. K. O. Plate	X	X
6	534-195	Evaporator Coil Shield – Right	X	X
7	508-149	Back Assembly	X	X
8	538-106	Fresh Air Damper Assembly	X	X
9	523-105	Evaporator Drain Pan Assembly	X	X
10	134-154	Wire Channel	X	X
11	140X277	Right Evaporator Support	X	X
12	124-042	Fan Shroud Back	X	X
13	143-066	Condenser Coil Fill	X	X
14	520-347	Condenser Partition Assembly	X	X
15	124-041	Fan Shroud Right Side	X	X
16	124-042	Fan Shroud Left Side	X	X
17	140-229	Condenser Coil Support	2	2
18	135-177-* ①	Side Trim – Lower	2	2
19	500-392-*①	Right Side Assembly	X	X
20	140-227	Subcooling Loop Hold Down	3	3
21	123-099	Condenser Drain Pan Assembly	X	X
22	527-294	Lower Base Assembly	X	X
23	102-415	Pile Seal Offset	2	2
24	117-240	Lower Control Panel Plate	X	X
25	134-194	Base Shield	X	X
26	140-276	Lower Roller Support	2	2
27	See Page 7	Control Panel Components	X	X
28	133-164	Control Panel Door – Lower	X	X
29	534-174-* ①	Base Trim Assembly	X	X
30	140-230	Drain Pan Support	X	X
31	552-334-* ①	Condenser Door Assembly	X	X
32	140-280	Upper Roller Support	2	2
33	536-351	Condenser Blank Off Plate	X	X
34	552-335-* ①	Filter Door Assembly	X	X
35	152-336-* ①	Circuit Breaker Door	X	X
36	116-238	Lower Control Panel Bottom	X	X
37	132-166	Pull Disconnect Door Inner		X
37	132-165	Circuit Breaker Door Inner	X	
38	112-287	Left Filter Bracket	X	X
39	552-333-* ①	Blower Door Assembly	X	X
<i>Continued on Page 5</i>				

À Exterior cabinet parts are manufactured with various color options. To insure that you receive the proper color, you must include the complete models and serial number of the unit for which parts are being ordered.

This Table references Exploded View on Page 1

CABINET COMPONENTS

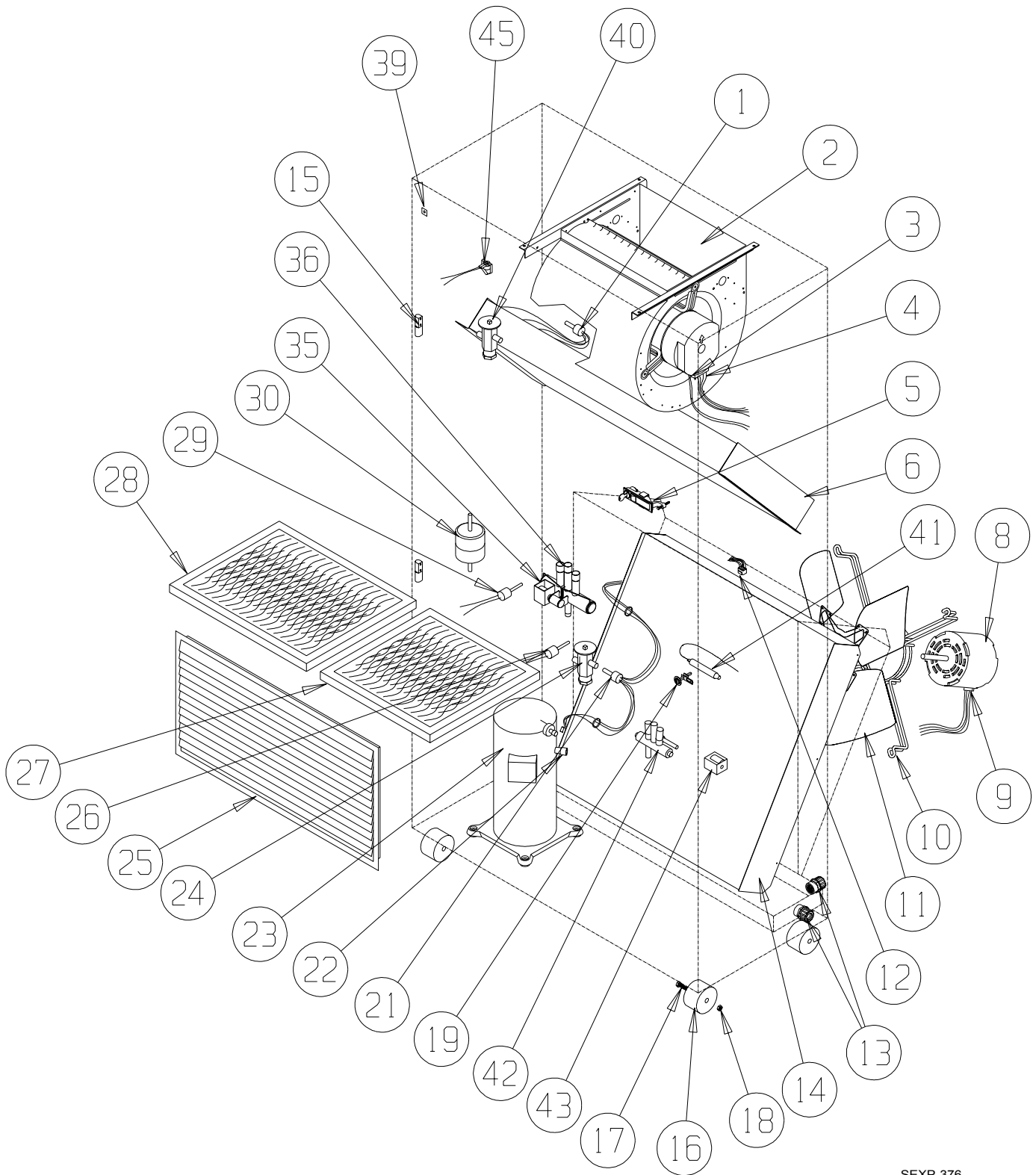
Drawing No.	Part No.	Description	QH482DA, DB QH602DA, DB		QH482DC
<i>Continued from Page 4</i>					
40	112-286	Right Filter Bracket	X		X
41	140Y277	Left Evaporator Support	X		X
42	116-243	Relay Control Panel	X		X
43	500-393-* ①	Left Side Assembly	X		X
44	113-142	Expansion Valve Mounting Plate	X		X
45	134-165-* ①	Base Trim Extension	2		2
46	112X283	Center Right Filter Bracket	X		X
46	112Y283	Center Left Filter Bracket	X		X
47	See Page 17	Pull Disconnect Assembly			X
47	See Page 15	Circuit Breaker Box Assembly	X		
48	112-229	Heatstrip Bracket	X		X
49	112-234	Mounting Bracket	2		2
50	135-178-*①	Side Trim – Upper	2		2
51	See page 13	Thermostat Mounting Plate	X		X
52	104-1096	Left Thermostat Support Angle	X		X
53	103-442	Thermostat Support Offset	X		X
54	104-1097	Front Filter Angle	X		X
55	104-1096	Right Thermostat Support Angle	X		X
56	102-434	Sleeve Offset	X		X
57	117-237	Lower Control Panel Top	X		X
58	534-190	Evaporator Coil Shield – Left	X		X
59	103-443	Door Latch Offset	X		X

- À Exterior cabinet parts are manufactured with various color options. To insure that you receive the proper color, you must include the complete models and serial number of the unit for which parts are being ordered.

This Table references Exploded View on Page 1

This page has been left blank intentionally.

FUNCTIONAL COMPONENTS



SEXP-376

This Exploded View is referenced in Tables on pages 8, 9 & 10

FUNCTIONAL COMPONENTS

Drawing No.	Part No.	Description	QH242DA	QH242DB	QH242DC	QH302DA	QH302DB	QH302DC	QH362DA	QH362DB	QH362DC	QH422DA	QH422DB	QH422DC
1	5625-015	Distributor Cooling	X	X	X	X	X	X						
1	5625-020	Distributor Cooling							X	X	X	X	X	X
2	900-225-001	Blower Assembly	X	X	X									
2	900-225-002	Blower Assembly				X	X	X						
2	900-225-004	Blower Assembly							X	X	X	X	X	X
3	3000-1045	Wire Harness High Voltage			X			X			X			X
3	3000-1046	Wire Harness High Voltage	X	X		X	X		X	X		X	X	
4	3000-1042	Wire Harness Low Voltage	X	X	X	X	X	X	X	X	X	X	X	X
5	1171-049	Keylatch/Circuit Breaker Door	X	X	X	X	X	X	X	X				
6	917-0039	Evaporator Coil Assembly	X	X	X	X	X	X						
6	917-0040	Evaporator Coil Assembly							X	X	X	X	X	X
8	8103-038	Motor			X			X			X			X
8	8103-037	Motor	X	X		X	X		X	X		X	X	
9	3000-1141	Wire Harness	X	X	X	X	X	X	X	X	X	X	X	X
10	8200-001	Motor Mount	X	X	X	X	X	X	X	X	X	X	X	X
11	5151-050	Fan Blade	X	X	X	X	X	X	X	X	X	X	X	X
12	3000-1047	Wire Harness P3	X	X	X	X	X	X	X	X	X	X	X	X
13	6094-003	Drain Fitting	2	2	2	2	2	2	2	2	2	2	2	2
14	5051-095	Condenser Coil	X	X	X	X	X	X						
14	5051-096	Condenser Coil							X	X	X	X	X	X
15	5400-005	Hinge	2	2	2	2	2	2	2	2	2	2	2	2
16	1171-035	Wheel	4	4	4	4	4	4	4	4	4	4	4	4
17	1012-129	Bolt - Shoulder	4	4	4	4	4	4	4	4	4	4	4	4
18	1012-224	Nut - Locking	4	4	4	4	4	4	4	4	4	4	4	4
19	1171-012	Latch	X	X	X	X	X	X	X	X	X	X	X	X
21	5625-008	Distributor - Heating	X	X	X	X	X	X						
21	5625-010	Distributor - Heating							X	X	X	X	X	X
22	910-1257	Defrost Sensor	X	X	X	X	X	X	X	X	X	X	X	X
23	8000-171	Compressor	X											
23	8000-201	Compressor		X										
23	8000-202	Compressor			X									
23	8000-172	Compressor				X								
23	8000-203	Compressor					X							
23	8000-204	Compressor						X						
23	8000-175	Compressor							X					
23	8000-163	Compressor								X				
23	8000-164	Compressor									X			
23	8000-177	Compressor										X		
23	8000-205	Compressor											X	
23	8000-206	Compressor												X
24	5651-137	TXV Heating	X	X	X									
24	5651-138	TXV Heating				X	X	X						
24	5651-102	TXV Heating							X	X	X	X	X	X
25	7051-034	Return Air Grille	X	X	X	X	X	X	X	X	X	X	X	X
26	8406-055	High Pressure Control	X	X	X	X	X	X	X	X	X	X	X	X
27	7004-009	Air Filter	X	X	X	X	X	X	X	X	X	X	X	X
27	7004-032	Filter 2" Fiberglass (Optional)	X	X	X	X	X	X	X	X	X	X	X	X
27	7004-034	Filter 2" Pleated (Optional)	X	X	X	X	X	X	X	X	X	X	X	X
28	7004-010	Air Filter	X	X	X	X	X	X	X	X	X	X	X	X
28	7004-033	Filter 2" Fiberglass (Optional)	X	X	X	X	X	X	X	X	X	X	X	X
28	7004-035	Filter 2" Pleated (Optional)	X	X	X	X	X	X	X	X	X	X	X	X

Continued on Page 7

This Table references Exploded View on Page 7

FUNCTIONAL COMPONENTS

Drawing No.	Part No.	Description	QH242DA	QH242DB	QH242DC	QH302DA	QH302DB	QH302DC	QH362DA	QH362DB	QH362DC	QH422DA	QH422DB	QH422DC
<i>Continued from page 8</i>														
29	8406-061	Low Pressure Control	X	X	X	X	X	X	X	X	X	X	X	X
30	5201-009	Filter / Drier	X	X	X	X	X	X	X	X	X	X	X	X
35	5650-020	Reversing Valve	X	X	X									
35	5650-021	Reversing Valve				X	X	X						
35	5650-025	Reversing Valve							X	X	X	X	X	X
36	5650-022	Solenoid Coil	X	X	X	X	X	X	X	X	X	X	X	X
39	1012-315	"U" Clip Fastener	10	10	10	10	10	10	10	10	10	10	10	10
40	5651-137	TXV Cooling	X	X	X									
40	5651-138	TXV Cooling				X	X	X						
40	5651-102	TXV Cooling							X	X	X	X	X	X
42	5650-026	Three Way Valve	X	X	X	X	X	X	X	X	X	X	X	X
43	5650-027	Three Way Valve Solinoid	X	X	X	X	X	X	X	X	X	X	X	X
45	8408-038	Freeze Thermostat	X	X	X	X	X	X	X	X	X	X	X	X
NS	1804-0108	Low Ambient Control	X	X	X	X	X	X	X	X	X	X	X	X

NS = Not Shown

Drawing No.	Part No.	Description	QH242DA	QH242DB	QH242DC	QH302DA	QH302DB	QH302DC	QH362DA	QH362DB	QH362DC	QH422DA	QH422DB	QH422DC
NS	4100-107	Wiring Diagram	X			X			X			X		
NS	4100-209	Wiring Diagram		X			X			X			X	
NS	4100-309	Wiring Diagram			X			X			X			X

NS = Not Shown

These Tables reference Exploded View on Page 7

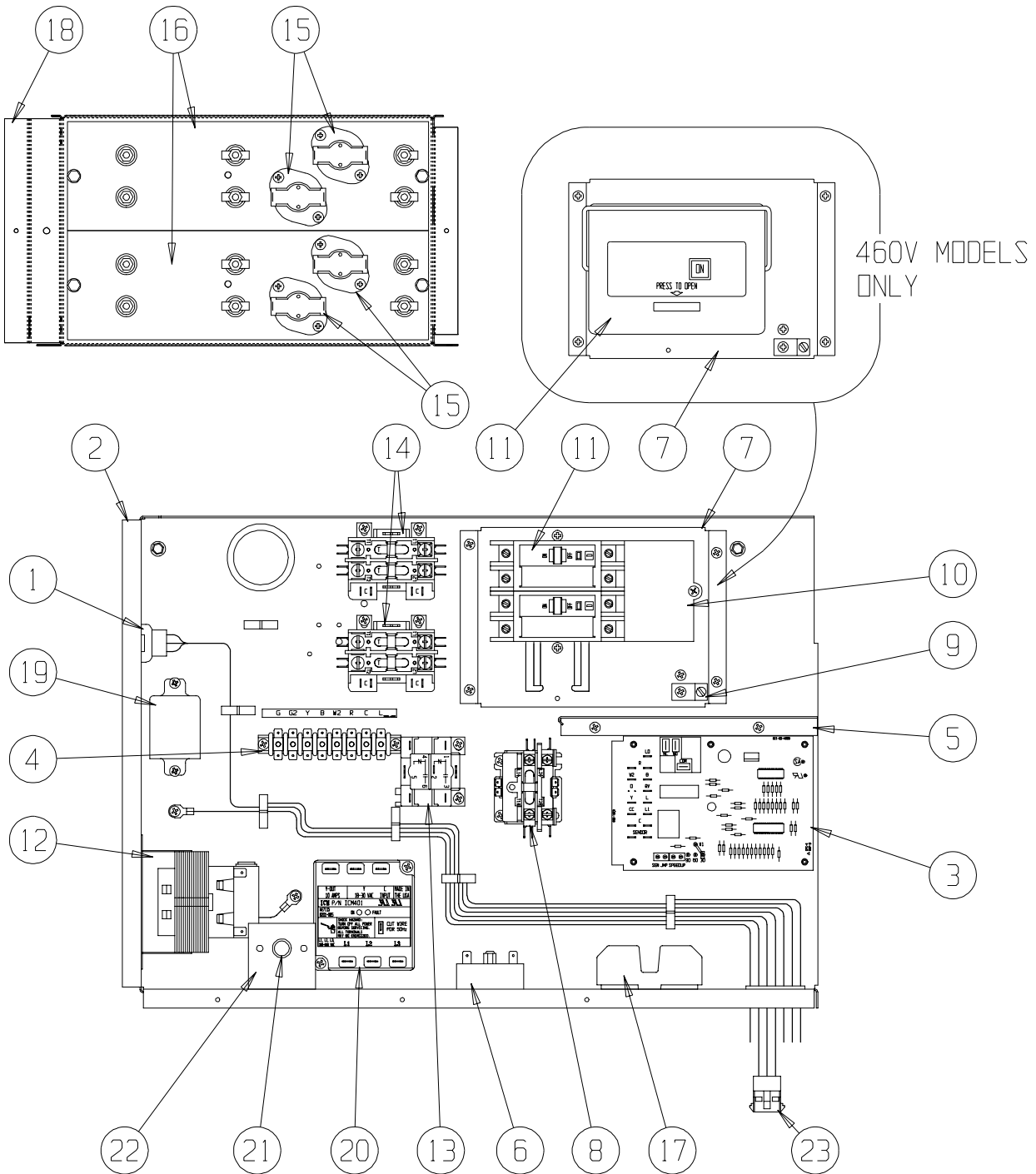
FUNCTIONAL COMPONENTS

Drawing			QH482DA	QH482DB	QH482DC
No.	Part No.	Description			
1	5625-022	Cooling Distributor	X	X	X
2	900-225-005	Blower Assembly	X	X	X
3	3000-1045	Wire Harness High Voltage			X
3	3000-1046	Wire Harness High Voltage	X	X	
4	3000-1042	Wire Harness Low Voltage	X	X	X
5	1171-049	Keylatch/Circuit Breaker Door	X	X	X
6	917-0041	Evaporator Coil	X	X	X
8	8103-038	Motor			X
8	8103-021	Motor	X	X	
9	3000-1141	Wire Harness	X	X	X
10	8200-001	Motor Mount	X	X	X
11	5151-050	Fan Blade	X	X	X
12	3000-1047	Wire Harness P3	X	X	X
13	6094-003	Drain Fitting	2	2	2
14	5051-104	Condenser Coil	X	X	X
15	5400-005	Hinge	2	2	2
16	1171-035	Wheel	4	4	4
17	1012-129	Bolt - Shoulder	4	4	4
18	1012-224	Nut - Locking	4	4	4
19	1171-012	Latch	X	X	X
21	5625-007	Distributor - Heating	X	X	X
22	910-1257	Defrost Sensor	X	X	X
23	8000-150	Compressor	X		
23	8000-162	Compressor		X	
23	8000-248	Compressor			X
24	5651-103	TXV Heating	X	X	X
25	7051-039	Return Air Grille	X	X	X
26	8406-055	High Pressure Control	X	X	X
27	7004-009	Air Filter	X	X	X
27	7004-032	Filter 2" Fiberglass (Optional)	X	X	X
27	7004-034	Filter 2" Pleated (Optional)	X	X	X
28	7004-011	Air Filter	X	X	X
28	7004-036	Filter 2" Fiberglass (Optional)	X	X	X
28	7004-037	Filter 2" Pleated (Optional)	X	X	X
29	8406-061	Low Pressure Control	X	X	X
30	5201-009	Filter / Drier	X	X	X
35	5650-025	Reversing Valve	X	X	X
36	5650-022	Solenoid Coil	X	X	X
39	1012-315	"U" Clip Fastener	10	10	10
40	5651-103	TXV Cooling	X	X	X
42	5650-026	Three Way Valve	X	X	X
43	5650-027	Three Way Valve Solenoid	X	X	X
45	8408-038	Freeze Thermostat	X	X	X
NS	1804-0108	Low Ambient Control	X	X	X
NS	4100-107	Wiring Diagram	X		
NS	4100-209	Wiring Diagram		X	
NS	4100-309	Wiring Diagram			X

NS = Not Shown

These Tables reference Exploded View on Page 7

UPPER CONTROL PANEL COMPONENTS



SEXP-373

This Exploded View is referenced in Tables on pages 12,13 & 14

UPPER CONTROL PANEL COMPONENTS

Drawing No.	Part No.	Description	QH242DA0Z	QH302DA0Z	QH362DA0Z	QH422DA0Z	QH482DA0Z	QH242DA05	QH302DA05	QH362DA05	QH422DA05	QH482DA05	QH242DA10	QH302DA10	QH362DA10	QH422DA10	QH482DA10	QH362DA15	QH422DA15	QH482DA15
1	3000-1044	Wire Set PL2	X	X	X	X	X	X	X	X	X	X	X	X	X	X	X	X	X	X
2	116-241	Control Panel	X	X	X	X	X	X	X	X	X	X	X	X	X	X	X	X	X	X
3	8201-069	Heat Pump Control	X	X	X	X	X	X	X	X	X	X	X	X	X	X	X	X	X	X
4	8607-022	Terminal Block	X	X	X	X	X	X	X	X	X	X	X	X	X	X	X	X	X	X
5	116-242	Box Partition	X	X	X	X	X	X	X	X	X	X	X	X	X	X	X	X	X	X
6	8201-078	Low Pressure TDR	X	X	X	X	X	X	X	X	X	X	X	X	X	X	X	X	X	X
7	126-267	Circuit Breaker Base	X	X	X	X	X	X	X	X	X	X	X	X	X	X	X	X	X	X
8	8401-007	Contactor	X	X	X			X	X				X		X			X		
8	8401-016	Contactor				X						X					X			X
9	8611-006	Ground Lug	X	X	X	X	X	X	X	X	X	X	X	X	X	X	X	X	X	X
10	8615-047	Jumper Bar Base										X	X	X	X	X	X	X	X	X
11	8615-036	Circuit Breaker 2 Pole 25A Ckt A										X								
11	8615-037	Circuit Breaker 2 Pole 30A Ckt A	X										X							
11	8615-055	Circuit Breaker 2 Pole 40A Ckt A												X				X		
11	8615-039	Circuit Breaker 2 Pole 45A Ckt A			X															
11	8615-040	Circuit Breaker 2 Pole 50A Ckt A				X	X					X					X			X
11	8615-040	Circuit Breaker 2 Pole 50A Ckt B											X		X	X	X	X		X
11	8615-041	Circuit Breaker 2 Pole 60A Ckt A								X										
12	8407-035	Transformer	X	X	X	X	X	X	X	X	X	X	X	X	X	X	X	X	X	X
14	8401-006	Contactor 2 Pole 20A						X	X	X	X	X	X	X	X	X	X	2	2	2
15	8402-100	Limits						1	1	1	2	2	2	2	2	2	2	3	3	3
16	8601-103	Heat Strip 5 KW						X	X	X								X	X	X
16	8601-104	Heat Strip 10 KW											X		X			X	X	X
18	118-191	Heat Strip Wrapper						X	X	X	X	X	X	X	X	X	X	X	X	X
19	8201-048	Relay						X	X	X	X	X	X	X	X	X	X	X	X	X
21	8611-094	Indicator Light	X	X	X	X	X	X	X	X	X	X	X	X	X	X	X	X	X	X
22	112-225	Bracket	X	X	X	X	X	X	X	X	X	X	X	X	X	X	X	X	X	X
23	3000-1047	Wire Set	X	X	X	X	X	X	X	X	X	X	X	X	X	X	X	X	X	X
NS	132-145	Heat Strip Cover						X	X	X	X	X	X	X	X	X	X	X	X	X
NS	4101-100	Wiring Diagram	X	X	X	X														
NS	4101-101	Wiring Diagram						X	X											
NS	4101-102	Wiring Diagram											X	X	X					
NS	4101-103	Wiring Diagram																X	X	
NS	4101-106	Wiring Diagram										X								

NS = Not Shown

This Table references Exploded View on Page 11

UPPER CONTROL PANEL COMPONENTS

Drawing No.	Part No.	Description	QH242DB0Z	QH302DB0Z	QH362DB0Z	QH422DB0Z	QH482DB0Z	QH242DB06	QH302DB06	QH362DB06	QH422DB06	QH482DB06	QH242DB09	QH302DB09	QH362DB09	QH422DB09	QH482DB09	QH302DB12	QH362DB15	QH422DB15	QH482DB15	
1	3000-1044	Wire Set PL2	X	X	X	X	X	X	X	X	X	X	X	X	X	X	X	X	X	X	X	X
2	116-241	Control Panel	X	X	X	X	X	X	X	X	X	X	X	X	X	X	X	X	X	X	X	X
3	8201-069	Heat Pump Control	X	X	X	X	X	X	X	X	X	X	X	X	X	X	X	X	X	X	X	X
4	8607-022	Terminal Block	X	X	X	X	X	X	X	X	X	X	X	X	X	X	X	X	X	X	X	X
5	116-242	Box Partition	X	X	X	X	X	X	X	X	X	X	X	X	X	X	X	X	X	X	X	X
6	8201-078	Low Pressure TDR	X	X	X	X	X	X	X	X	X	X	X	X	X	X	X	X	X	X	X	X
7	126-267	Circuit Breaker Base	X	X	X	X	X	X	X	X	X	X	X	X	X	X	X	X	X	X	X	X
8	8401-002	Contactora	X	X	X	X	X	X	X	X	X	X	X	X	X	X	X	X	X	X	X	X
9	8611-006	Lug	X	X	X	X	X	X	X	X	X	X	X	X	X	X	X	X	X	X	X	X
11	8615-054	Circuit Breaker 3 Pole 20A	X																			
11	8615-051	Circuit Breaker 3 Pole 25A		X																		
11	8615-052	Circuit Breaker 3 Pole 30A			X																	
11	8615-042	Circuit Breaker 3 Pole 35A				X	X															
11	8615-043	Circuit Breaker 3 Pole 40A						X														
11	8615-044	Circuit Breaker 3 Pole 45A								X			X									
11	8615-045	Circuit Breaker 3 Pole 50A												X								
11	8615-046	Circuit Breaker 3 Pole 60A														X	X				X	X
12	8407-035	Transformer	X	X	X	X	X	X	X	X	X	X	X	X	X	X	X	X	X	X	X	X
14	8401-006	Contactora 2 Pole 20A						X	X	X	X	X	X	X	X	X	X	X	X	X	X	2
15	8402-100	Limits						2	2	2	2	2	2	2	2	2	2	4	4	4	4	4
16	8604-105	Heat Strip 6 KW						X	X	X	X	X	X	X	X	X	X	2	2	2	2	X
16	8604-106	Heat Strip 9 KW											X	X	X	X	X	2	2	2	2	X
18	116-191	Heat Strip Wrapper						X	X	X	X	X	X	X	X	X	X	X	X	X	X	X
19	8201-048	Relay						X	X	X	X	X	X	X	X	X	X	X	X	X	X	X
20	8201-085	Phase Monitor	X	X	X	X	X	X	X	X	X	X	X	X	X	X	X	X	X	X	X	X
21	8611-094	Indicator Light	X	X	X	X	X	X	X	X	X	X	X	X	X	X	X	X	X	X	X	X
22	112-225	Bracket	X	X	X	X	X	X	X	X	X	X	X	X	X	X	X	X	X	X	X	X
23	3000-1047	Wire Set PL#	X	X	X	X	X	X	X	X	X	X	X	X	X	X	X	X	X	X	X	X
NS	132-145	Heat Strip Cover						X	X	X	X	X	X	X	X	X	X	X	X	X	X	X
NS	4101-200	Wiring Diagram	X	X	X	X																
NS	4101-201	Wiring Diagram						X	X	X	X	X	X	X	X	X	X					
NS	4101-202	Wiring Diagram																				X
NS	4101-203	Wiring Diagram																X				

NS = Not Shown

This Table references Exploded View on Page 11

UPPER CONTROL PANEL COMPONENTS

Drawing No.	Part No.	Description	QH242DC0Z	QH302DC0Z	QH362DC0Z	QH422DC0Z	QH482DC0Z	QH242DC06	QH302DC06	QH362DC06	QH422DC06	QH482DC06	QH242DC09	QH302DC09	QH362DC09	QH422DC09	QH482DC09	QH302DC12	QH362DC15	QH422DC15	QH482DC15	
1	3000-1044	Wire Set PL2			X				X					X				X		X		
2	116-241	Control Panel			X				X					X				X		X		
3	8201-069	Heat Pump Control			X				X					X				X		X		
4	8607-022	Terminal Block			X				X					X				X		X		
5	116-242	Box Partition			X				X					X				X		X		
6	8201-078	Low Pressure Bypass TDR			X				X					X				X		X		
7	126-269	Pull Disconnect Base			X				X					X				X		X		
8	8401-002	Contactors			X				X					X				X		X		
9	8611-006	Gound Lug			X				X					X				X		X		
11	8615-053	Pull Disconnect Base			X				X					X				X		X		
12	8407-035	Transformer			X				X					X				X		X		
13	8201-009	Relay OMR			X				X					X				X		X		
14	8401-002	Contactors 3 Pole 25A							X					X				X		2		
15	8402-100	Limits							2					4				4		4		
16	8604-107	Heat Strip 6 KW 480V							X									2		X		
16	8604-108	Heat Strip 9 KW 480V												X						X		
17	8614-041	Fuse Holder			X				X					X				X		X		
18	116-191	Heat Strip Wrapper			X				X					X				X		X		
19	8201-048	Relay							X					X				X		X		
20	8201-085	Phase Monitor			X				X					X				X		X		
21	8611-094	Indicator Light			X				X					X				X		X		
22	112-225	Bracket			X				X					X				X		X		
NS	8407-032	Transformer Stepdown 1.0 KVA			X				X					X				X		X		
NS	8407-003	Transformer Stepdown 1.5 KVA			X				X					X				X		X		
NS	8614-046	Fuses Class CC 5A ①			2				2					2				2		2		
NS	8614-047	Fuses Class CC 3.2A ②			2				2					2				2		2		
NS	132-145	Heat Strip Cover			X				X					X				X		X		
NS	4101-300	Wiring Diagram			X																	
NS	4101-301	Wiring Diagram							X					X								
NS	4101-302	Wiring Diagram																				X
NS	4101-303	Wiring Diagram																X				

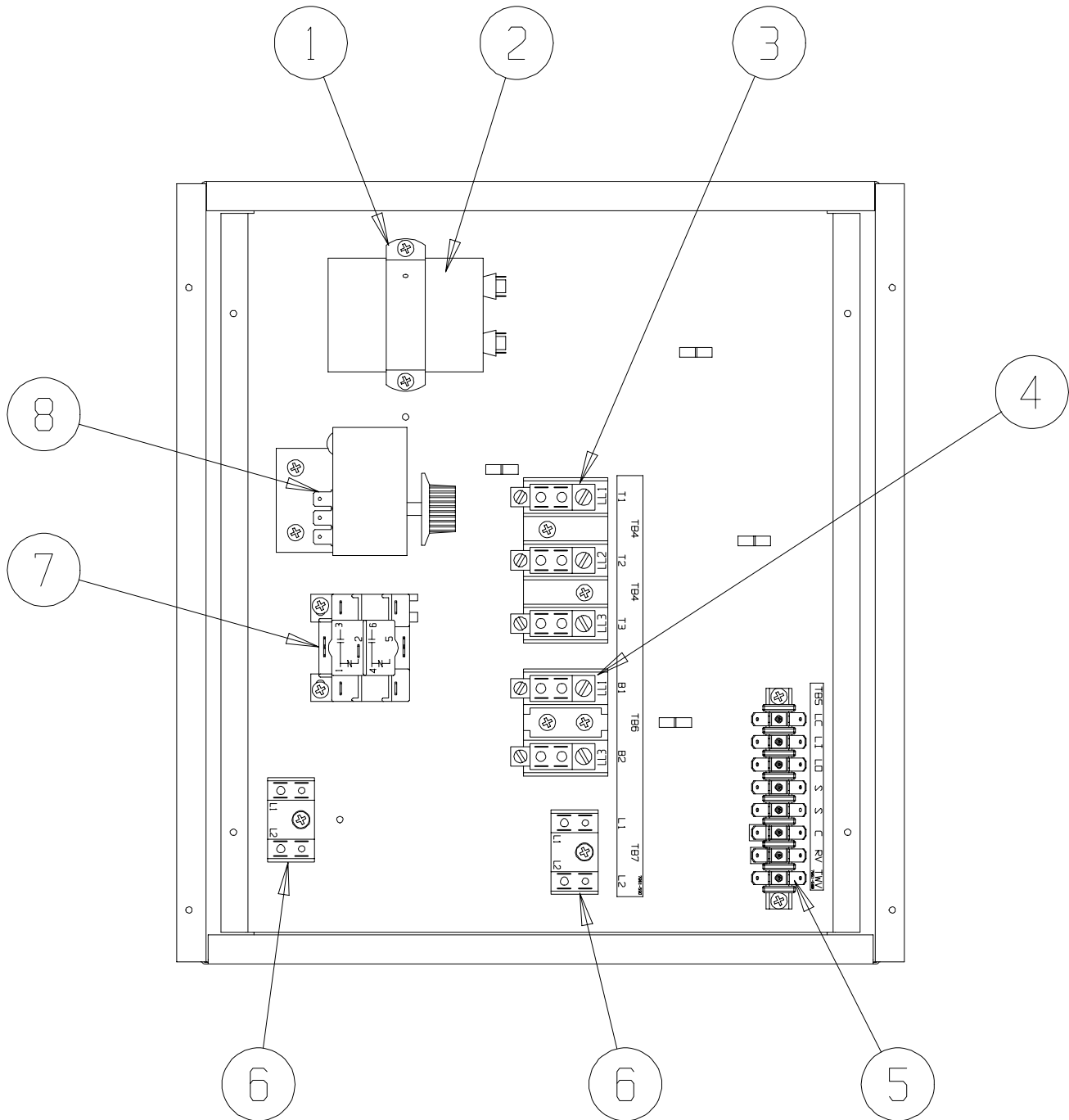
NS = Not Shown

① 5 Amp fuses used with 1.5 KVA transformer.

② 3.2 Amp fuses used with 1KVA transformer.

This Table references Exploded View on Page 11

LOWER CONTROL PANEL COMPONENTS

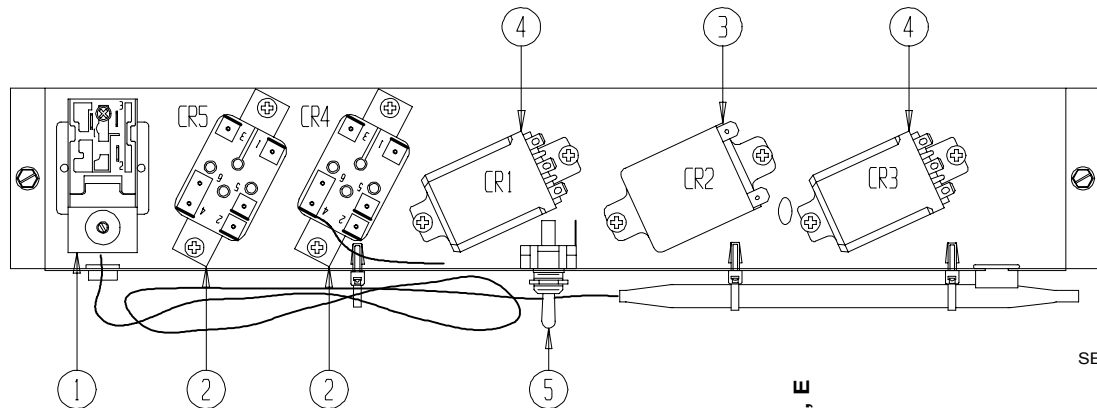


LOWER CONTROL PANEL COMPONENTS

Drawing			QH242DA	QH302DA	QH362DA	QH422DA	QH482DA	QH242DB	QH302DB	QH362DB	QH422DB	QH482DB	QH602DB	QH242DC	QH302DC	QH362DC	QH422DC	QH482DC	QH602DC
No.	Part No.	Description																	
1	8552-008	Capacitor Strap	X	X	X	X	X												
1	8552-003	Capacitor Strap						X									X		
2	8552-002	Fan Capacitor						X									X		
2	8552-050	Compressor Capacitor	X																
2	8552-052	Compressor Capacitor		X															
2	8552-063	Compressor Capacitor			X														
2	8552-062	Compressor Capacitor				X	X												
3	8607-014	Terminal Block 3 Ter						X									X		
4	8607-013	Terminal Block 2 Ter	X	X	X	X	X												X
5	8607-022	Terminal Block 8 Pos	X	X	X	X	X	X									X		
6	8607-017	Terminal Block 2 Ter	X	X	X	X	X	X									X		
7	8201-032	Low Ambient Bypass Relay (Opt.)	X	X	X	X	X	X									X		
8	8408-034	Outdoor Thermostat ①	X	X	X	X	X	X									X		

① Optional on standard models. Standard on low ampacity models.

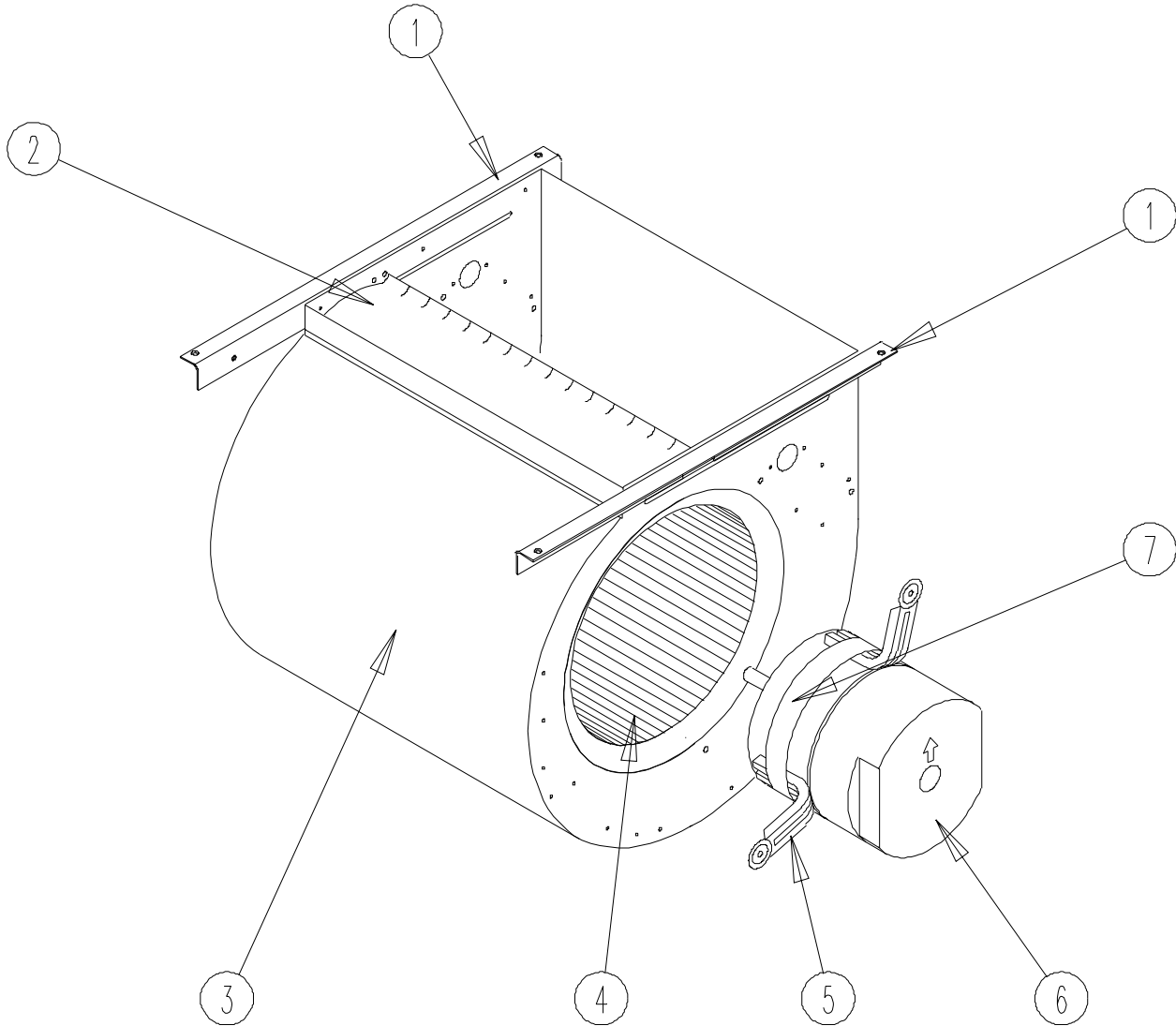
DEHUMIDIFICATION MODULE COMPONENTS



SEXP-312

Drawing			Options X, E	Option F
No.	Part No.	Description		
1	8408-037	Return Air Thermostat	X	X
2	8201-062	Relay CR5, CR4	2	2
3	8201-048	Relay CR2	X	X
4	8201-071	Relay CR1, CR3	2	2
5	8406-020	Toggle Switch	X	X
NS	3000-1143	Wire Harness P2 to P4	X	
NS	3000-1142	Wire Harness P2 to P4		X

BLOWER ASSEMBLY COMPONENTS

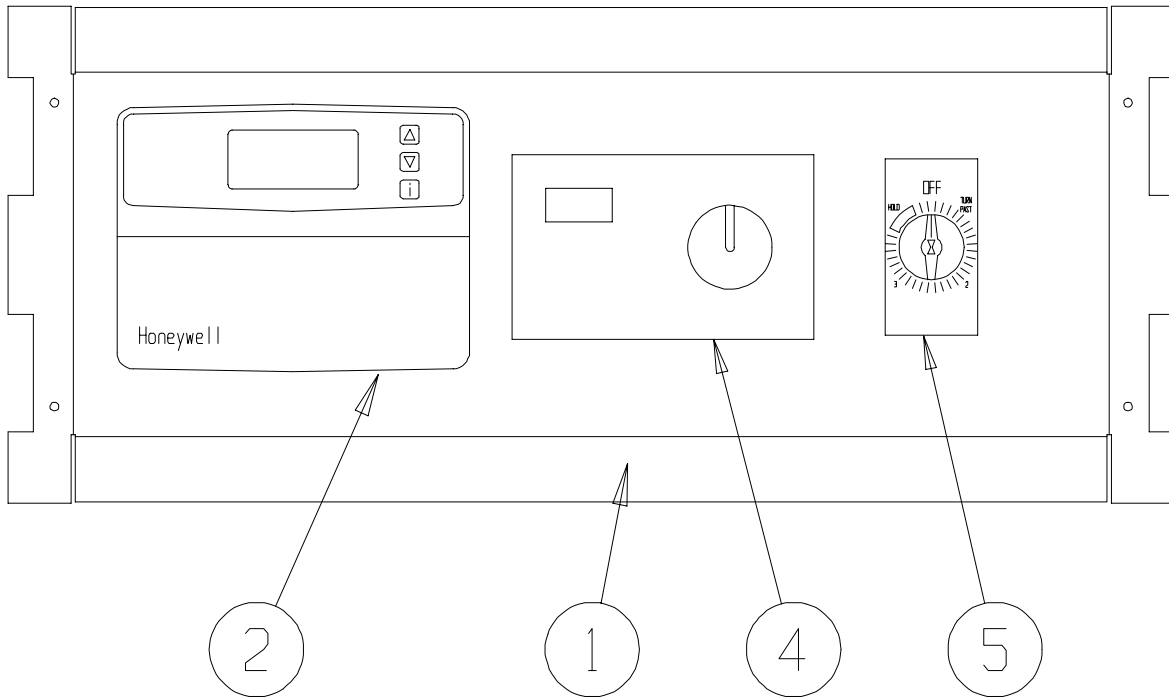
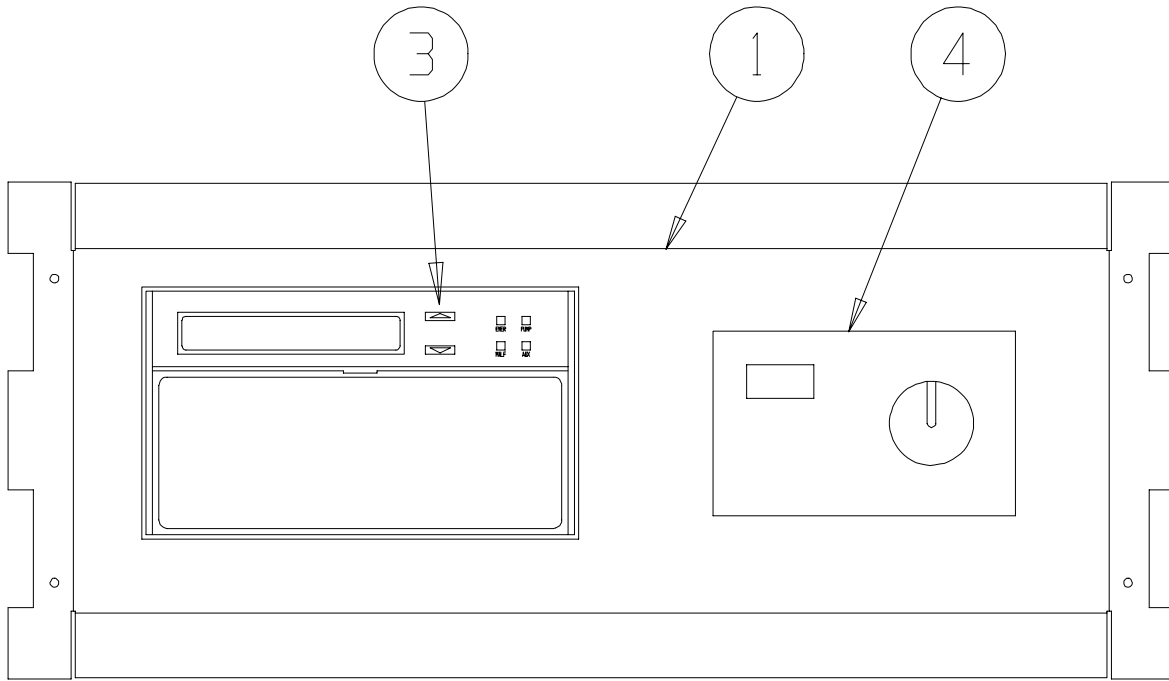


SEXP-245

BLOWER ASSEMBLY COMPONENTS

Drawing No.	Part No.	Description	900-225-001	900-225-002	900-225-004	900-225-005
1	104-980	Blower Angle	2	2	2	2
2	144-131	Diffuser	X	X	X	X
3	151-110	Blower Housing	X	X	X	X
4	5152-061	Blower Wheel	X	X	X	X
5	8200-034	Motor Mount Arm	3	3	3	3
6	8106-035-0003	Motor	X			
6	8106-035-0004	Motor		X		
6	8106-035-0005A	Motor			X	
6	8106-035-0013	Motor				X
7	8200-033	Motor Mount Band	X	X	X	X

OPTIONAL CLIMATE CONTROLS



SEXP-371

OPTIONAL CLIMATE CONTROLS

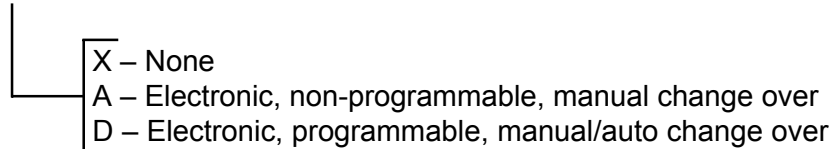
Drawing No.	Part No.	Description	QH242, QH302 QH362, QH422			QH482		
			Option X	Option E	Option F	Option X	Option E	Option F
1	127-313-* ①	Thermostat Plate	X			X		
1	127-314-* ①	Thermostat Plate		X			X	
1	127-312-* ①	Thermostat Plate			X			X
2	8403-042	Electronic / Non-Programmable / Manual / Auto Change Over			X			X
3	8403-034	Electronic / Programmable / Manual / Auto Change Over		X			X	
4	8403-047	Humidistat		X	X		X	X
5	8612-015	Timer			X			X
NS	3000-1144	Wire Harness, Low Voltage Terminal Strip to PL2	X			X		
NS	3000-1054	Wire Harness, Thermostat to PL2		X			X	
NS	3000-1094	Wire Harness, Thermostat to PL2			X			X
NS	8607-019	Low Voltage Terminal Strip	X		X	X		X
NS	8607-021	Low Voltage Terminal Strip * Term.	X			X		
NS	4102-016	Wiring Diagram	X			X		
NS	4102-015	Wiring Diagram		X			X	
NS	4102-014	Wiring Diagram			X			X

À Exterior cabinet parts are manufactured with various color options. To insure that you receive the proper color, you must include the complete models and serial number of the unit for which parts are being ordered.

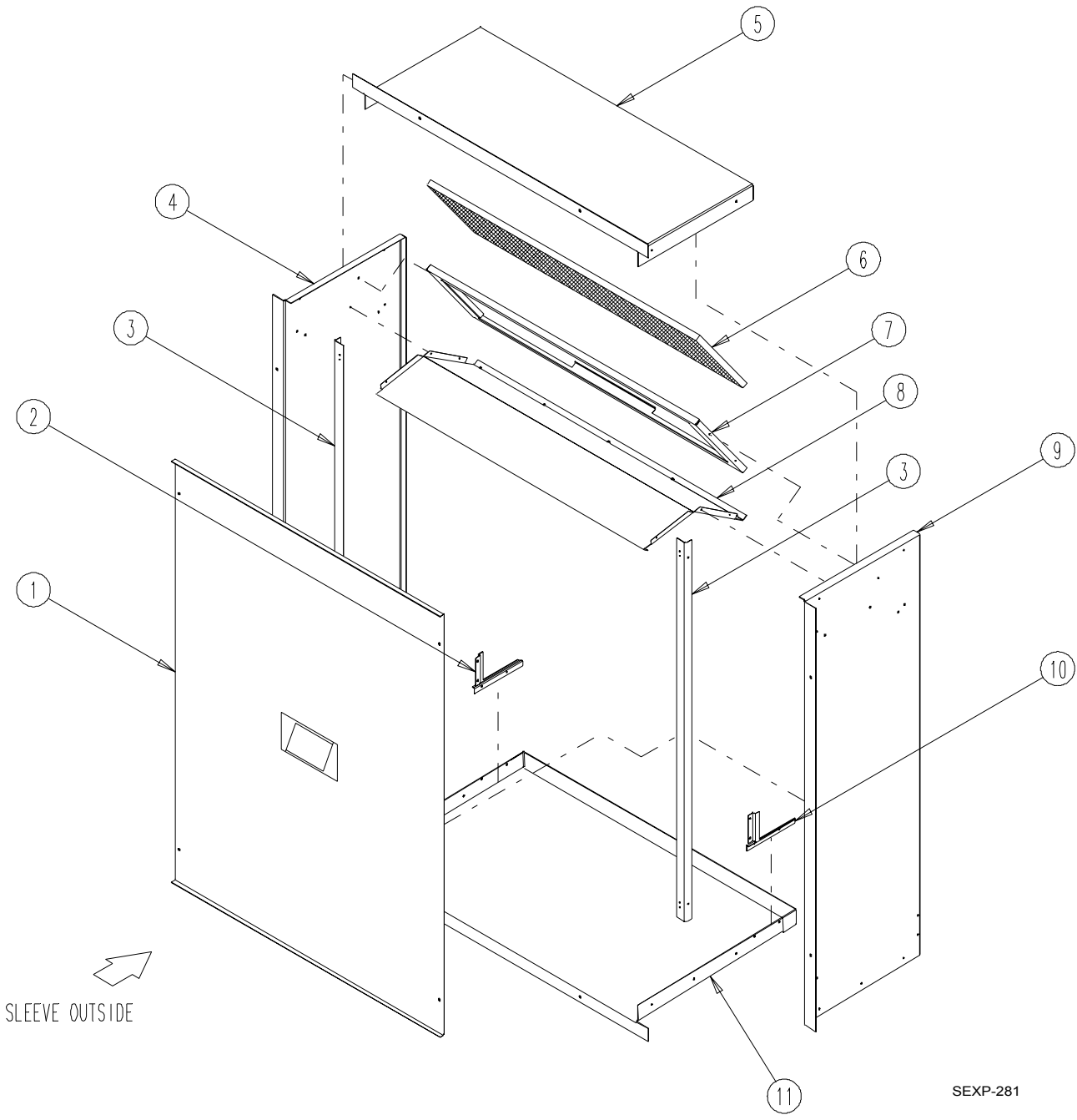
NS Not Shown

CLIMATE CONTROL OPTION NOMENCLATURE AS SHOWN IN UNIT MODEL NUMBER

QH 362 D A 09 X X X X X X



WALL SLEEVE CABINET COMPONENTS



SEXP-281

WALL SLEEVE CABINET COMPONENTS

Drawing No.	Part No.	Description	QWS42	QWS42-16	QWS48	QWS48-16
1	142-056	Cover	X	X		
1	142-068	Cover			X	X
2	136Y361	Left Side Seal Angle	X	X	X	X
3	104-988	Angle	2	2	2	2
4	110Y045	Left Side	X		X	
4	110Y048	Left Side		X		X
5	110-047	Top	X			
5	110-050	Top		X		
5	110-056	Top			X	
5	110-070	Top				X
6	7003-044	Mist Eliminator	X	X	X	X
7	130-120	Filter Tray	X	X		
7	130-128	Filter Tray			X	X
8	120-305	Partition	X			
8	120-309	Partition		X		
8	120-322	Partition			X	
8	120-348	Partition				X
9	110X045	Right Side	X		X	
9	110X048	Right Side		X		X
10	136X361	Right Side Seal Angle	X	X		
10	136-404	Right Side Seal Angle			X	X
11	111-046	Base	X			
11	111-049	Base		X		
11	111-055	Base			X	
11	111-071	Base				X