
REPLACEMENT PARTS MANUAL

QTEC SERIES PACKAGED HEAT PUMP Models:

QW241 QW301
QW361 QW421
QW481 QW601

General Notes

- Revised and/or additional pages may be issued from time to time.
- A complete and current manual consists of pages shown in the following contents section.

Contents

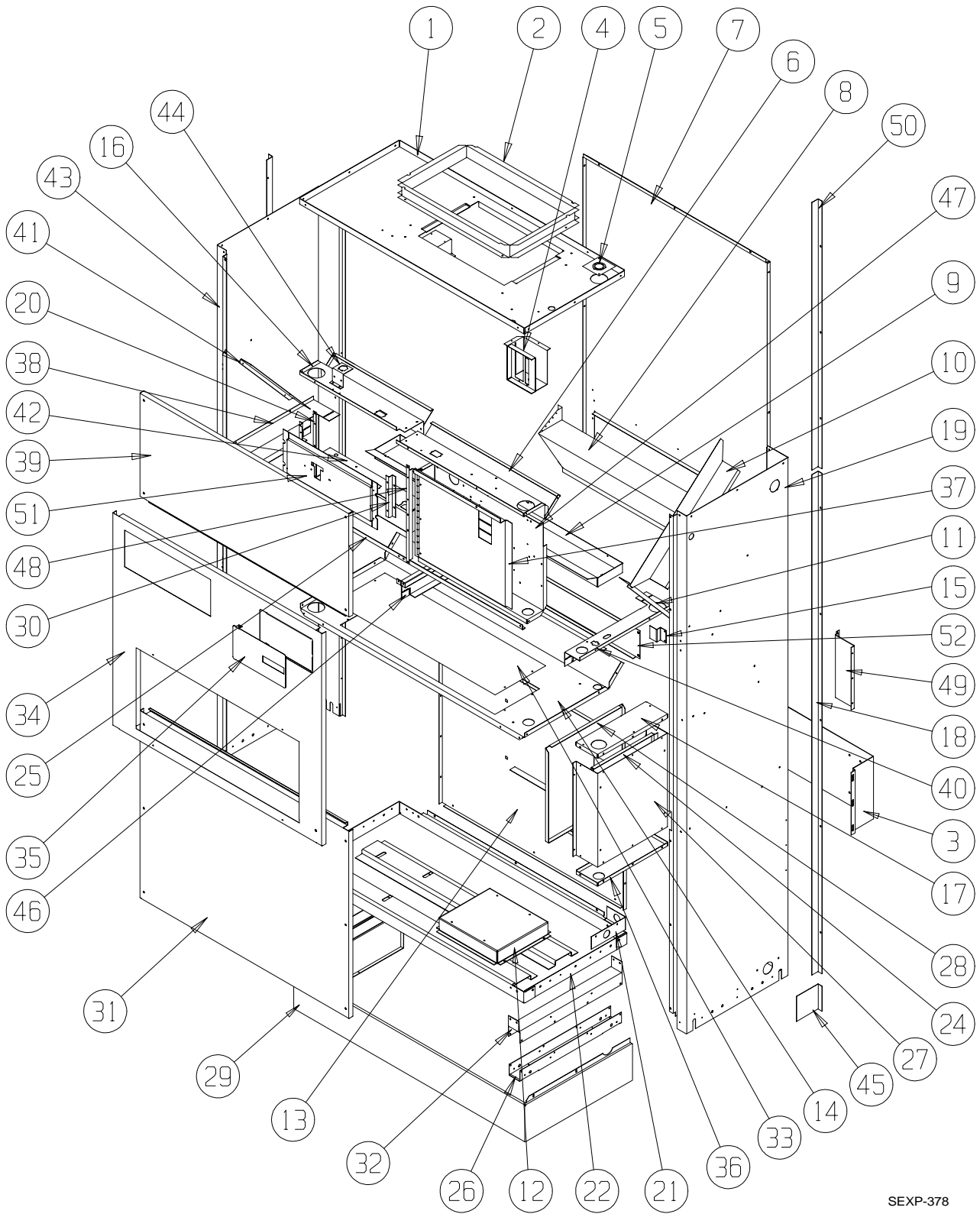
| Description | Page |
|-------------------------------------|------|
| Cabinet Components | |
| ♦ Exploded View | 1 |
| ♦ Usage List | 2 |
| ♦ Usage List | 3 |
| ♦ Usage List | 4 |
| ♦ Usage List | 5 |
| ♦ Blank Page | 6 |
| Functional Components | |
| ♦ Exploded View | 7 |
| ♦ Usage List | 8 |
| ♦ Usage List | 9 |
| ♦ Usage List | 10 |
| Upper Control Panel Components | |
| ♦ Exploded View | 11 |
| ♦ Usage List | 12 |
| ♦ Usage List | 13 |
| ♦ Usage List | 14 |
| Lower Control Panel Components | |
| ♦ Exploded View | 15 |
| ♦ Usage List | 16 |
| Blower Assembly Components | |
| ♦ Exploded View | 17 |
| ♦ Usage List | 18 |
| Optional Climate Control Components | |
| ♦ Exploded View | 19 |
| ♦ Usage List | 20 |
| Wall Sleeve Cabinet Components | |
| ♦ Exploded View | 21 |
| ♦ Usage List | 22 |



BARD MANUFACTURING COMPANY
Bryan, Ohio 43506
Since 1914...Moving ahead, just as planned.

Manual: 2110-535E
Supersedes: 2110-535D
File: Tab 14
Date: 04-19-02

CABINET COMPONENTS



SEXP-378

This Exploded View is referenced in Tables on Page 2, 3, 4 & 5

CABINET COMPONENTS

| Drawing No. | Part No. | Description | QW241-A, B | QW241-C | QW301-A, B | QW301-C | QW361-A, -B | QW361-C | QW421-A, B | QW421-C |
|----------------|-------------|-------------------------------------|------------|---------|------------|---------|-------------|---------|------------|---------|
| 1 | 506-225 | Top Assembly | X | X | X | X | X | X | X | X |
| 2 | 110-044 | Outlet Duct Flange | 2 | 2 | 2 | 2 | 2 | 2 | 2 | 2 |
| 3 | 112-289 | Wall Mounting Bracket | 2 | 2 | 2 | 2 | 2 | 2 | 2 | 2 |
| 4 | 117-187 | Low Voltage Box Assembly (Optional) | X | X | X | X | X | X | X | X |
| 4 | 117-249 | Low Voltage Box Assembly DDC (Opt.) | X | X | X | X | X | X | X | X |
| 5 | 136-359 | T. K. O. Plate | X | X | X | X | X | X | X | X |
| 6 | 534-191 | Evaporator Coil Shield – Right | X | X | X | X | X | X | X | X |
| 7 | 508-133 | Back Assembly | X | X | X | X | X | X | X | X |
| 8 | 538-106 | Fresh Air Damper Assembly | X | X | X | X | X | X | X | X |
| 9 | 523-104 | Evaporator Drain Pan Assembly | X | X | X | X | X | X | X | X |
| 10 | 134-154 | Wire Channel | X | X | X | X | X | X | X | X |
| 11 | 140X277 | Right Evaporator Support | X | X | X | X | X | X | X | X |
| 12 | 140-278 | Water Coil Hold Down | | X | | X | | X | | X |
| 12 | 140-026 | Water Coil Hold Down | X | | X | | X | | X | |
| 13 | 508-164 | Lower Back | X | X | X | X | X | X | X | X |
| 14 | 520-346 | Condenser Partition Assembly | X | X | X | X | X | X | X | X |
| 15 | 103-443 | Door Latch Offset | X | X | X | X | X | X | X | X |
| 16 | 534-190 | Evaporator Coil Shield – Left | X | X | X | X | X | X | X | X |
| 17 | 117-237 | Lower Control Panel Top | X | X | X | X | X | X | X | X |
| 18 | 135-177-* ① | Side Trim – Lower | 2 | 2 | 2 | 2 | 2 | 2 | 2 | 2 |
| 19 | 500-392-* ① | Right Side Assembly | X | X | X | X | X | X | X | X |
| 20 | 104-1096 | Right Thermostat Support Angle | X | X | X | X | X | X | X | X |
| 21 | 123-094 | Condenser Drain Pan Assembly | X | X | X | X | X | X | X | X |
| 22 | 527-309-X | Lower Base Assembly | X | X | X | X | X | X | X | X |
| 23 | 102-415 | Pile Seal Offset | 2 | 2 | 2 | 2 | 2 | 2 | 2 | 2 |
| 24 | 117-240 | Lower Control Panel Plate | X | X | X | X | X | X | X | X |
| 25 | 104-1097 | Front Filter Angle | X | X | X | X | X | X | X | X |
| 26 | 140-276 | Lower Roller Support | 2 | 2 | 2 | 2 | 2 | 2 | 2 | 2 |
| 27 | See Page 11 | Control Panel Components | X | X | X | X | X | X | X | X |
| 28 | 133-164 | Control Panel Door – Lower | X | X | X | X | X | X | X | X |
| 29 | 534-155-6 | Base Trim Assembly | X | X | X | X | X | X | X | X |
| 30 | 103-442 | Thermostat Support Offset | 2 | 2 | 2 | 2 | 2 | 2 | 2 | 2 |
| 31 | 552-339-* ① | Condenser Door Assembly | X | X | X | X | X | X | X | X |
| 32 | 140-280 | Upper Roller Support | 2 | 2 | 2 | 2 | 2 | 2 | 2 | 2 |
| 33 | 536-351 | Condenser Blank Off Plate | X | X | X | X | X | X | X | X |
| 34 | 552-330-* ① | Filter Door Assembly | X | X | X | X | X | X | X | X |
| 35 | 152-336-* ① | Circuit Breaker Door | X | X | X | X | X | X | X | X |

Continued on Page 3

- ① Exterior cabinet parts are manufactured with various color options. To insure that you receive the proper color, you must include the complete models and serial number of the unit for which parts are being ordered.

This Table references Exploded View on Page 1

CABINET COMPONENTS

| Drawing No. | Part No. | Description | QW241-A, B | QW241-C | QW301-A, B | QW301-C | QW361-A, -B | QW361-C | QW421-A, B | QW421-C |
|------------------------------|-------------|---------------------------------|------------|---------|------------|---------|-------------|---------|------------|---------|
| <i>Continued from Page 2</i> | | | | | | | | | | |
| 36 | 116-238 | Lower Control Panel Bottom | X | X | X | X | X | X | X | X |
| 37 | 132-166 | Pull Disconnect Door Inner | | X | | X | | X | | X |
| 37 | 132-165 | Circuit Breaker Door Inner | X | | X | | X | | X | |
| 38 | 113-281 | Left Filter Bracket | X | X | X | X | X | X | X | X |
| 39 | 552-331-* ① | Blower Door Assembly | X | X | X | X | X | X | X | X |
| 40 | 113-282 | Right Filter Bracket | X | X | X | X | X | X | X | X |
| 41 | 140Y277 | Left Evaporator Support | X | X | X | X | X | X | X | X |
| 42 | 117-243 | Relay Control Panel | X | X | X | X | X | X | X | X |
| 43 | 500-391-* ① | Left Side Assembly | X | X | X | X | X | X | X | X |
| 44 | 113-142 | Expansion Valve Mounting Plate | X | X | X | X | X | X | X | X |
| 45 | 135-165-* ① | Base Trim Extension | 2 | 2 | 2 | 2 | 2 | 2 | 2 | 2 |
| 46 | 112X283 | Center Right Filter Bracket | X | X | X | X | X | X | X | X |
| 46 | 112Y283 | Center Left Filter Bracket | X | X | X | X | X | X | X | X |
| 47 | See Page 12 | Pull Disconnect Assembly | | X | | X | | X | | X |
| 47 | See Page 12 | Circuit Breaker Box Assembly | X | | X | | X | | X | |
| 48 | 104-1096 | Left Thermostat Support Bracket | X | X | X | X | X | X | X | X |
| 49 | 112-234 | Mounting Bracket | 2 | 2 | 2 | 2 | 2 | 2 | 2 | 2 |
| 50 | 135-178-* ① | Side Trim – Upper | 2 | 2 | 2 | 2 | 2 | 2 | 2 | 2 |
| 51 | See Page 19 | Thermostat Mounting Plate | X | X | X | X | X | X | X | X |
| 52 | 542-077 | Discharge Blank Off Plate | X | X | X | X | X | X | X | X |

① Exterior cabinet parts are manufactured with various color options. To insure that you receive the proper color, you must include the complete models and serial number of the unit for which parts are being ordered.

This Table references Exploded View on Page 1

CABINET COMPONENTS

| Drawing No. | Part No. | Description | QW481-A, -B QW601-A, -B | QW481-C QW601-C |
|----------------|-------------|---|----------------------------|--------------------|
| 1 | 506-225 | Top Assembly | X | X |
| 2 | 110-044 | Outlet Duct Flange | 2 | 2 |
| 3 | 112-289 | Wall Mounting Bracket | 2 | 2 |
| 4 | 117-187 | Low Voltage Box Assembly (Optional) | X | X |
| 4 | 117-249 | Low Voltage Box Assembly – DDC (Optional) | X | X |
| 5 | 136-359 | T. K. O. Plate | X | X |
| 6 | 534-191 | Evaporator Coil Shield – Right | X | X |
| 7 | 508-133 | Back Assembly | X | X |
| 8 | 538-106 | Fresh Air Damper Assembly | X | X |
| 9 | 523-104 | Evaporator Drain Pan Assembly | X | X |
| 10 | 134-154 | Wire Channel | X | X |
| 11 | 140X277 | Right Evaporator Support | X | X |
| 12 | 140-288 | Water Coil Hold Down | | X |
| 12 | 140-026 | Water Coil Hold Down | X | |
| 13 | 508-164 | Lower Back | X | X |
| 14 | 520-346 | Condenser Partition Assembly | X | X |
| 15 | 103-443 | Door Latch Offset | X | X |
| 16 | 534-190 | Evaporator Coil Shield – Left | X | X |
| 17 | 117-237 | Lower Control Panel Top | X | X |
| 18 | 135-177-* ① | Side Trim – Lower | 2 | 2 |
| 19 | 500-392-* ① | Right Side Assembly | X | X |
| 20 | 104-1096 | Right Thermostat Support Angle | X | X |
| 21 | 123-094 | Condenser Drain Pan Assembly | X | X |
| 22 | 527-309-X | Lower Base Assembly | X | X |
| 23 | 102-415 | Pile Seal Offset | 2 | 2 |
| 24 | 117-240 | Lower Control Panel Plate | X | X |
| 25 | 104-1097 | Front Filter Angle | X | X |
| 26 | 140-276 | Lower Roller Support | 2 | 2 |
| 27 | See Page 7 | Control Panel Components | X | X |
| 28 | 133-164 | Control Panel Door – Lower | X | X |
| 29 | 534-155-* ① | Base Trim Assembly | X | X |
| 30 | 103-442 | Thermostat Support Offset | 2 | 2 |
| 31 | 552-339-* ① | Condenser Door Assembly | X | X |
| 32 | 140-280 | Upper Roller Support | 2 | 2 |
| 33 | 536-351 | Condenser Blank Off Plate | X | X |
| 34 | 552-330-* ① | Filter Door Assembly | X | X |
| 35 | 152-336-* ① | Circuit Breaker Door | X | X |

Continued on Page 5

- ① Exterior cabinet parts are manufactured with various color options. To insure that you receive the proper color, you must include the complete models and serial number of the unit for which parts are being ordered.

This Table references Exploded View on Page 1

CABINET COMPONENTS

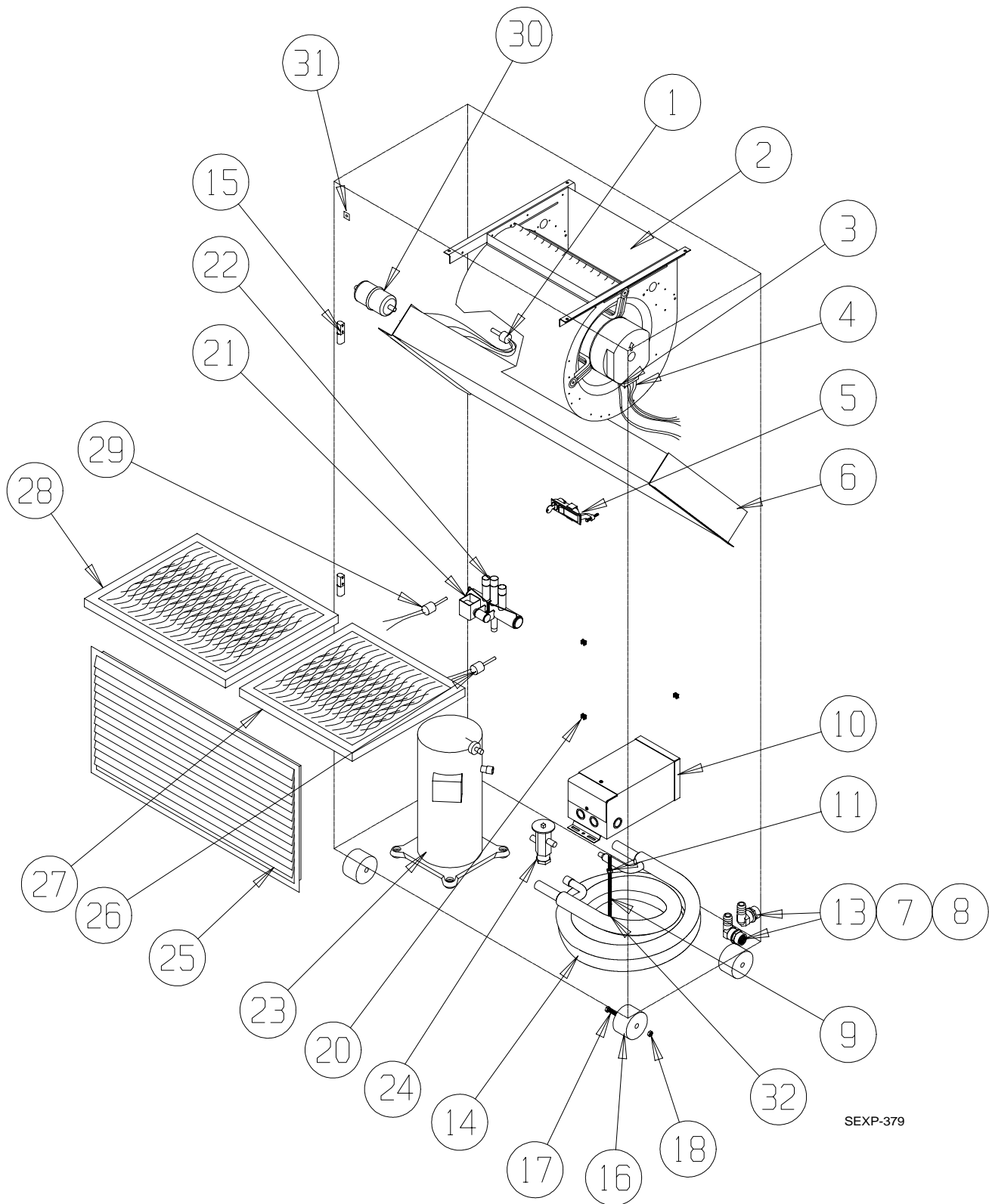
| Drawing No. | Part No. | Description | QW481-A, -B QW601-A, -B | | QW481-C QW601-C | |
|------------------------------|-------------|--------------------------------|----------------------------|---|--------------------|---|
| | | | | | | |
| <i>Continued from Page 4</i> | | | | | | |
| 36 | 116-238 | Lower Control Panel Bottom | | X | | X |
| 37 | 132-166 | Pull Disconnect Door Inner | | | | X |
| 37 | 132-165 | Circuit Breaker Door Inner | | X | | |
| 38 | 112-281 | Left Filter Bracket | | X | | X |
| 39 | 552-331-* ① | Blower Door Assembly | | X | | X |
| 40 | 112-286 | Right Filter Bracket | | X | | X |
| 41 | 140Y277 | Left Evaporator Support | | X | | X |
| 42 | 116-243 | Relay Control Panel | | X | | X |
| 43 | 500-393-* ① | Left Side Assembly | | X | | X |
| 44 | 113-142 | Expansion Valve Mounting Plate | | X | | X |
| 45 | 134-165-* ① | Base Trim Extension | | 2 | | 2 |
| 46 | 112X283 | Center Right Filter Bracket | | X | | X |
| 46 | 112Y283 | Center Left Filter Bracket | | X | | X |
| 47 | See Page 12 | Pull Disconnect Assembly | | | | X |
| 47 | See Page 12 | Circuit Breaker Box Assembly | | X | | |
| 48 | 104-1096 | Left Thermostat Support Offset | | X | | X |
| 49 | 112-234 | Mounting Bracket | | 2 | | 2 |
| 50 | 135-178-*① | Side Trim – Upper | | 2 | | 2 |
| 51 | See page 19 | Thermostat Mounting Plate | | X | | X |
| 52 | 542-077 | Discharge Blank Off Plate | | X | | X |

- ① Exterior cabinet parts are manufactured with various color options. To insure that you receive the proper color, you must include the complete models and serial number of the unit for which parts are being ordered.

This Table references Exploded View on Page 1

This page has been left blank intentionally.

FUNCTIONAL COMPONENTS



SEXP-379

This Exploded View is referenced in Tables on pages 8, 9 & 10

FUNCTIONAL COMPONENTS

| Drawing No. | Part No. | Description | QW241-A | QW241-B | QW241-C | QW301-A | QW301-B | QW301-C | QW361-A | QW361-B | QW361-C | QW421-A | QW421-B | QW421-C |
|-------------|-------------|---|---------|---------|---------|---------|---------|---------|---------|---------|---------|---------|---------|---------|
| 1 | 5625-015 | Distributor Cooling | X | X | X | X | X | X | X | X | X | X | | |
| 1 | 5625-020 | Distributor Cooling | | | | | | | | | | | X | X |
| 2 | 900-225-001 | Blower Assembly | X | X | X | | | | | | | | | |
| 2 | 900-225-002 | Blower Assembly | | | | X | X | X | | | | | | |
| 2 | 900-225-004 | Blower Assembly | | | | | | | X | X | X | X | X | X |
| 3 | 3000-1145 | Wire Harness High Voltage | | | X | | | X | | | X | | | X |
| 3 | 3000-1046 | Wire Harness High Voltage | X | X | | X | X | | X | X | | X | X | |
| 4 | 3000-1042 | Wire Harness Low Voltage | X | X | X | X | X | X | X | X | X | X | X | X |
| 5 | 1171-049 | Keypress/Circuit Breaker Door | X | X | X | X | X | X | X | X | X | X | X | X |
| 6 | 5060-107 | Evaporator Coil | X | X | X | X | X | X | X | X | | | | |
| 6 | 5060-090 | Evaporator Coil | | | | | | | | | | X | X | X |
| 7 | 6094-008 | Drain Adapter | 2 | 2 | 2 | 2 | 2 | 2 | 2 | 2 | 2 | 2 | 2 | 2 |
| 8 | 6094-007 | Drain Elbow | 2 | 2 | 2 | 2 | 2 | 2 | 2 | 2 | 2 | 2 | 2 | 2 |
| 9 | 1012-078 | Rod | X | X | X | X | X | X | X | X | X | X | X | X |
| 10 | See Page 14 | Transformer | | | X | | | X | | | X | | | X |
| 11 | 1012-211 | Nut | X | X | X | X | X | X | X | X | X | X | X | X |
| 13 | 6094-003 | Drain Fitting | 2 | 2 | 2 | 2 | 2 | 2 | 2 | 2 | 2 | 2 | 2 | 2 |
| 14 | 917-0054 | Water Coil Assembly | X | X | X | | | | | | | | | |
| 14 | 917-0063 | Water Coil Assembly | | | | X | X | X | | | | | | |
| 14 | 914-0055 | Water Coil Assembly | | | | | | | X | X | X | X | X | X |
| 14 | 917-0071 | Copper Water Coil Assy. (Opt.) ^① | X | X | X | | | | | | | | | |
| 14 | 917-0073 | Copper Water Coil Assy. (Opt.) ^① | | | | X | X | X | | | | | | |
| 14 | 917-0072 | Copper Water Coil Assy. (Opt.) ^① | | | | | | | X | X | X | X | X | X |
| 15 | 5400-005 | Hinge | 2 | 2 | 2 | 2 | 2 | 2 | 2 | 2 | 2 | 2 | 2 | 2 |
| 16 | 1171-035 | Wheel | 4 | 4 | 4 | 4 | 4 | 4 | 4 | 4 | 4 | 4 | 4 | 4 |
| 17 | 1012-129 | Bolt - Shoulder | 4 | 4 | 4 | 4 | 4 | 4 | 4 | 4 | 4 | 4 | 4 | 4 |
| 18 | 1012-224 | Nut - Locking | 4 | 4 | 4 | 4 | 4 | 4 | 4 | 4 | 4 | 4 | 4 | 4 |
| 20 | 1012-218 | Cage Nut | 4 | 4 | 4 | 4 | 4 | 4 | 4 | 4 | 4 | 4 | 4 | 4 |
| 21 | 5650-026 | Reversing Valve Solenoid | X | X | X | X | X | X | X | X | X | X | X | X |
| 22 | 5650-032 | Reversing Valve | X | X | X | X | X | X | | | | | | |
| 22 | 5650-031 | Reversing Valve | | | | | | | X | X | X | | | |
| 22 | 5650-030 | Reversing Valve | | | | | | | | | | X | X | X |
| 23 | 8000-170 | Compressor | X | | | | | | | | | | | |
| 23 | 8000-231 | Compressor | | X | | | | | | | | | | |
| 23 | 8000-232 | Compressor | | | X | | | | | | | | | |
| 23 | 8000-171 | Compressor | | | | X | | | | | | | | |
| 23 | 8000-201 | Compressor | | | | | X | | | | | | | |
| 23 | 8000-202 | Compressor | | | | | | X | | | | | | |
| 23 | 8000-172 | Compressor | | | | | | | X | | | | | |
| 23 | 8000-203 | Compressor | | | | | | | | X | | | | |
| 23 | 8000-204 | Compressor | | | | | | | | | X | | | |
| 23 | 8000-175 | Compressor | | | | | | | | | | X | | |
| 23 | 8000-163 | Compressor | | | | | | | | | | | X | |
| 23 | 8000-164 | Compressor | | | | | | | | | | | | X |
| 24 | 5651-150 | TXV | X | X | X | | | | | | | | | |
| 24 | 5651-151 | TXV | | | | X | X | X | | | | | | |
| 24 | 5651-152 | TXV | | | | | | | X | X | X | | | |
| 24 | 5651-153 | TXV | | | | | | | | | | X | X | X |
| 25 | 7051-034 | Return Air Grille | X | X | X | X | X | X | X | X | X | X | X | X |

Continued on Page 9

① NOTE: The fourteenth character in the unit model number indicates coil option; option "X" is for the standard Cupronickel coil and "4" indicates copper coil.

This Table references Exploded View on Page 7

FUNCTIONAL COMPONENTS

| Drawing No. | Part No. | Description | QW241-A | QW241-B | QW241-C | QW301-A | QW301-B | QW301-C | QW361-A | QW361-B | QW361-C | QW421-A | QW421-B | QW421-C |
|------------------------------|-----------|---------------------------------|---------|---------|---------|---------|---------|---------|---------|---------|---------|---------|---------|---------|
| <i>Continued from page 8</i> | | | | | | | | | | | | | | |
| 26 | 8406-055 | High Pressure Control | X | X | X | X | X | X | X | X | X | X | X | X |
| 27 | 7004-009 | Air Filter | X | X | X | X | X | X | X | X | X | X | X | X |
| 27 | 7004-032 | Filter 2" Fiberglass (Optional) | X | X | X | X | X | X | X | X | X | X | X | X |
| 27 | 7004-034 | Filter 2" Pleated (Optional) | X | X | X | X | X | X | X | X | X | X | X | X |
| 28 | 7004-010 | Air Filter | X | X | X | X | X | X | X | X | X | X | X | X |
| 28 | 7004-033 | Filter 2" Fiberglass (Optional) | X | X | X | X | X | X | X | X | X | X | X | X |
| 28 | 7004-035 | Filter 2" Pleated (Optional) | X | X | X | X | X | X | X | X | X | X | X | X |
| 29 | 8406-061 | Low Pressure Control | X | X | X | X | X | X | X | X | X | X | X | X |
| 30 | 5201-009 | Filter / Drier | X | X | X | X | X | X | X | X | X | X | X | X |
| 31 | 1012-315 | "U" Clip Fastener | 10 | 10 | 10 | 10 | 10 | 10 | 10 | 10 | 10 | 10 | 10 | 10 |
| 32 | 1012-226 | Cage Nut | X | X | X | X | X | X | X | X | X | X | X | X |
| NS | 1804-0108 | Low Ambient Control | X | X | X | X | X | X | X | X | X | X | X | X |

| Drawing No. | Part No. | Description | QH242-A | QH242-B | QH242-C | QH302-A | QH302-B | QH302-C | QH362-A | QH362-B | QH362-C | QH422-A | QH422-B | QH422-C |
|-------------|----------|----------------|---------|---------|---------|---------|---------|---------|---------|---------|---------|---------|---------|---------|
| NS | 4100-108 | Wiring Diagram | X | | | X | | | X | | | X | | |
| NS | 4100-210 | Wiring Diagram | | X | | | X | | | X | | | X | |
| NS | 4100-310 | Wiring Diagram | | | X | | | X | | | X | | | X |

These Tables reference Exploded View on Page 7

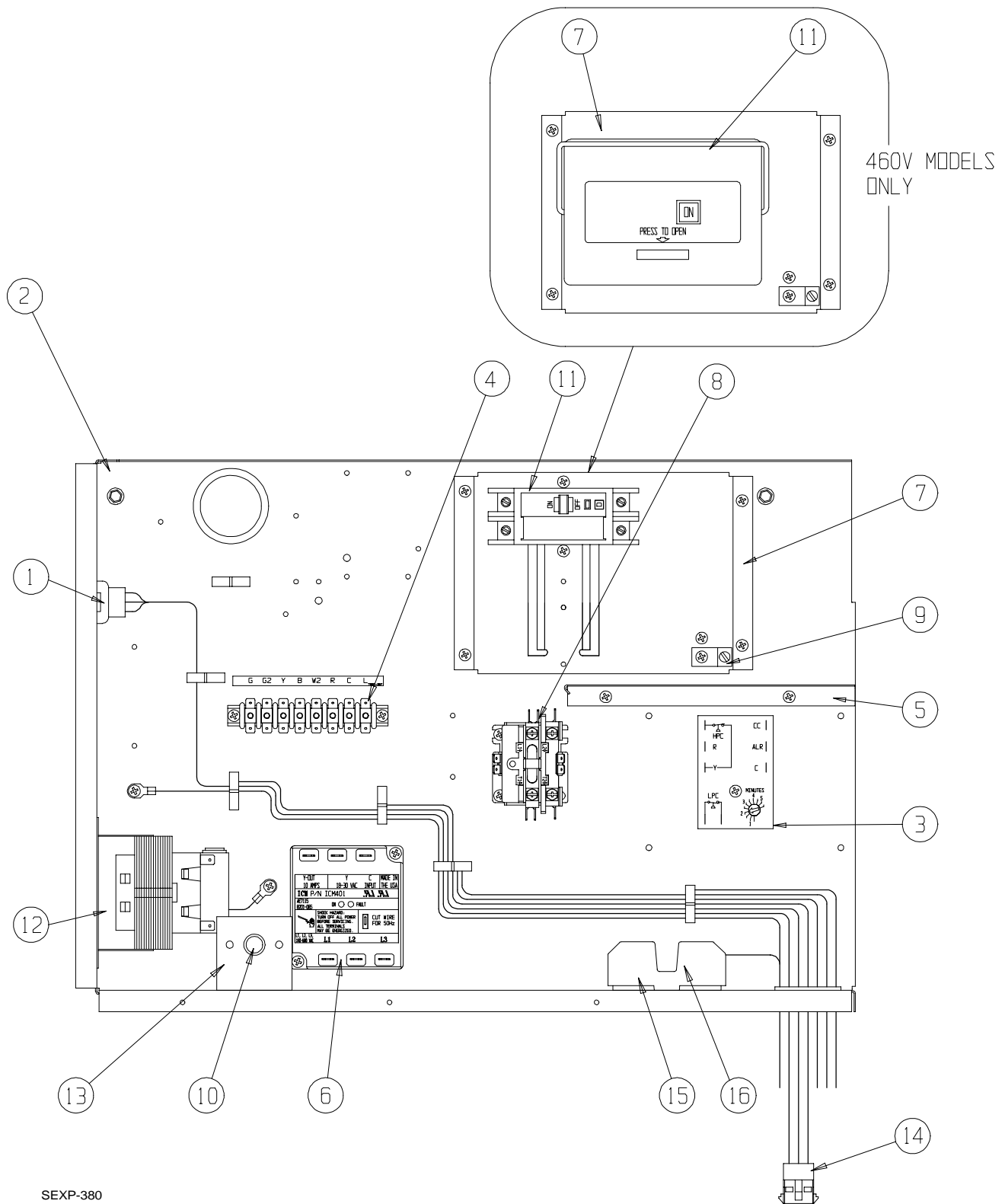
FUNCTIONAL COMPONENTS

| Drawing | | | QW481-A | QW481-B | QW481-C | QW601-A | QW601-B | QW601-C |
|---------|-------------|-------------------------------------|---------|---------|---------|---------|---------|---------|
| No. | Part No. | Description | | | | | | |
| 1 | 5625-020 | Cooling Distributor | X | X | X | X | X | X |
| 2 | 900-225-005 | Blower Assembly | X | X | X | | | |
| 2 | 900-254-002 | Blower Assembly | | | | X | X | X |
| 3 | 3000-1145 | Wire Harness High Voltage | | | X | | | X |
| 3 | 3000-1046 | Wire Harness High Voltage | X | X | | X | X | |
| 4 | 3000-1042 | Wire Harness Low Voltage | X | X | X | X | X | X |
| 5 | 1171-049 | Keylatch/Circuit Breaker Door | X | X | X | X | X | X |
| 6 | 5060-090 | Evaporator Coil | X | X | X | | | |
| 6 | 5060-109 | Evaporator Coil | | | | X | X | X |
| 7 | 6094-008 | Drain Adapter | 2 | 2 | 2 | 2 | 2 | 2 |
| 8 | 6094-007 | Drain Elbow | 2 | 2 | 2 | 2 | 2 | 2 |
| 9 | 1012-078 | Rod | X | X | X | X | X | X |
| 10 | See Page 14 | Transformer | | | X | | | X |
| 11 | 1012-211 | Nut | X | X | X | X | X | X |
| 13 | 6094-003 | Drain Fitting | 2 | 2 | 2 | 2 | 2 | 2 |
| 14 | 917-0055 | Water Coil Assembly | X | X | X | | | |
| 14 | 917-0064 | Water Coil Assembly | | | | X | X | X |
| 14 | 917-0072 | Copper Water Coil Assy. (Optional)① | X | X | X | | | |
| 14 | 917-0074 | Copper Water Coil Assy. (Optional)① | | | | X | X | X |
| 15 | 5400-005 | Hinge | 2 | 2 | 2 | 2 | 2 | 2 |
| 16 | 1171-035 | Wheel | 4 | 4 | 4 | 4 | 4 | 4 |
| 17 | 1012-129 | Bolt - Shoulder | 4 | 4 | 4 | 4 | 4 | 4 |
| 18 | 1012-224 | Nut - Locking | 4 | 4 | 4 | 4 | 4 | 4 |
| 20 | 1012-218 | Cage Nut | 4 | 4 | 4 | 4 | 4 | 4 |
| 21 | 5650-026 | Reversing Valve Solenoid | X | X | X | X | X | X |
| 22 | 5650-030 | Reversing Valve | X | X | X | X | X | X |
| 23 | 8000-176 | Compressor | | | | X | | |
| 23 | 8000-229 | Compressor | | | | | X | |
| 23 | 8000-230 | Compressor | | | | | | X |
| 23 | 8000-178 | Compressor | X | | | | | |
| 23 | 8000-249 | Compressor | | X | | | | |
| 23 | 8000-250 | Compressor | | | X | | | |
| 24 | 5651-162 | TXV | X | X | X | X | X | X |
| 25 | 7051-039 | Return Air Grille | X | X | X | X | X | X |
| 26 | 8406-055 | High Pressure Control | X | X | X | X | X | X |
| 27 | 7004-009 | Air Filter | X | X | X | X | X | X |
| 27 | 7004-032 | Filter 2" Fiberglass (Optional) | X | X | X | X | X | X |
| 27 | 7004-034 | Filter 2" Pleated (Optional) | X | X | X | X | X | X |
| 28 | 7004-011 | Air Filter | X | X | X | X | X | X |
| 28 | 7004-036 | Filter 2" Fiberglass (Optional) | X | X | X | X | X | X |
| 28 | 7004-037 | Filter 2" Pleated (Optional) | X | X | X | X | X | X |
| 29 | 8406-061 | Low Pressure Control | X | X | X | X | X | X |
| 30 | 5201-009 | Filter / Drier | X | X | X | X | X | X |
| 31 | 1012-315 | "U" Clip Fastener | 10 | 10 | 10 | 10 | 10 | 10 |
| 32 | 1012-226 | Cage Nut | X | X | X | X | X | X |
| NS | 1804-0108 | Low Ambient Control | X | X | X | X | X | X |
| NS | 4100-108 | Wiring Diagram | X | | | X | | |
| NS | 4100-210 | Wiring Diagram | | X | | | X | |
| NS | 4100-310 | Wiring Diagram | | | X | | | X |

① NOTE: The fourteenth character in the unit model number indicates coil option; option "X" is for the standard Cupronickel coil and "4" indicates copper coil.

These Tables reference Exploded View on Page 7

UPPER CONTROL PANEL COMPONENTS



SEXP-380

This Exploded View is referenced in Tables on pages 12,13 & 14

UPPER CONTROL PANEL COMPONENTS

| Drawing No. | Part No. | Description | QW241-A0Z | QW301-A0Z | QW361-A0Z | QW421-A0Z | QW481-A0Z | QW601-A0Z |
|-------------|-----------|----------------------------------|-----------|-----------|-----------|-----------|-----------|-----------|
| 1 | 3000-1149 | Wire Set PL2 | X | X | X | X | X | X |
| 2 | 117-241 | Control Panel | X | X | X | X | X | X |
| 3 | 8201-088 | Compressor Control Module | X | X | X | X | X | X |
| 4 | 8607-022 | Terminal Block | X | X | X | X | X | X |
| 5 | 117-242 | Box Partition | X | X | X | X | X | X |
| 6 | 8201-085 | Phase Monitor | X | X | X | X | X | X |
| 7 | 126-267 | Circuit Breaker Base | X | X | X | X | X | X |
| 8 | 8401-007 | Contactora | X | X | X | X | | |
| 8 | 8401-016 | Contactora | | | | | X | X |
| 9 | 8611-006 | Ground Lug | X | X | X | X | X | X |
| 10 | 8611-094 | Light | X | X | X | X | X | X |
| 11 | 8615-036 | Circuit Breaker 2 Pole 25A Ckt A | X | | | | | |
| 11 | 8615-037 | Circuit Breaker 2 Pole 30A Ckt A | | X | X | | | |
| 11 | 8615-055 | Circuit Breaker 2 Pole 40A Ckt A | | | | X | | |
| 11 | 8615-039 | Circuit Breaker 2 Pole 45A Ckt A | | | | | X | |
| 11 | 8615-041 | Circuit Breaker 2 Pole 60A Ckt A | | | | | | X |
| 12 | 8407-048 | Transformer | X | X | X | X | X | X |
| 13 | 112-225 | Bracket | X | X | X | X | X | X |
| 14 | 3000-1148 | Wire Set | X | X | X | X | X | X |
| NS | 4101-100 | Wiring Diagram | X | X | X | X | X | X |

NS = Not Shown

This Table references Exploded View on Page 11

UPPER CONTROL PANEL COMPONENTS

| Drawing | | | QW241-B0Z | QW301-B0Z | QW361-B0Z | QW421-B0Z | QW481-B0Z | QW601-B0Z |
|---------|-----------|----------------------------|-----------|-----------|-----------|-----------|-----------|-----------|
| No. | Part No. | Description | | | | | | |
| 1 | 3000-1149 | Wire Set PL2 | X | X | X | X | X | X |
| 2 | 117-241 | Control Panel | X | X | X | X | X | X |
| 3 | 8201-088 | Compressor Control Module | X | X | X | X | X | X |
| 4 | 8607-022 | Terminal Block | X | X | X | X | X | X |
| 5 | 117-242 | Box Partition | X | X | X | X | X | X |
| 6 | 8201-085 | Phase Monitor | X | X | X | X | X | X |
| 7 | 126-267 | Circuit Breaker Base | X | X | X | X | X | X |
| 8 | 8401-002 | Contactora | X | X | X | X | X | X |
| 9 | 8611-006 | Ground Lug | X | X | X | X | X | X |
| 10 | 8611-094 | Light | X | X | X | X | X | X |
| 11 | 8615-054 | Circuit Breaker 3 Pole 20A | X | X | | | | |
| 11 | 8615-051 | Circuit Breaker 3 Pole 25A | | | X | | | |
| 11 | 8615-052 | Circuit Breaker 3 Pole 30A | | | | X | | |
| 11 | 8615-042 | Circuit Breaker 3 Pole 35A | | | | | X | |
| 11 | 8615-044 | Circuit Breaker 3 Pole 45A | | | | | | X |
| 12 | 8407-048 | Transformer | X | X | X | X | X | X |
| 13 | 112-225 | Bracket | X | X | X | X | X | X |
| 14 | 3000-1148 | Wire Set PL3 | X | X | X | X | X | X |
| NS | 4101-200 | Wiring Diagram | X | X | X | X | X | X |

NS = Not Shown

This Table references Exploded View on Page 11

UPPER CONTROL PANEL COMPONENTS

| Drawing No. | Part No. | Description | QW241-C0Z | QW301-C0Z | QW361-C0Z | QW421-C0Z | QW481-C0Z | QW601-C0Z |
|-------------|-----------|------------------------------|-----------|-----------|-----------|-----------|-----------|-----------|
| 1 | 3000-1044 | Wire Set PL2 | X | X | | | | X |
| 2 | 117-241 | Control Panel | X | X | | | | X |
| 3 | 8201-088 | Compressor Control Module | X | X | | | | X |
| 4 | 8607-022 | Terminal Block | X | X | | | | X |
| 5 | 117-242 | Box Partition | X | X | | | | X |
| 6 | 8201-085 | Phase Monitor | X | X | | | | X |
| 7 | 126-269 | Pull Disconnect | X | X | | | | X |
| 8 | 8401-002 | Contactor | X | X | | | | X |
| 9 | 8611-006 | Ground Lug | X | X | | | | X |
| 10 | 8611-094 | Light | X | X | | | | X |
| 11 | 8615-053 | Pull Disconnect Base | X | X | | | | X |
| 12 | 8407-050 | Transformer | X | X | | | | X |
| 13 | 112-225 | Bracket | X | X | | | | X |
| 14 | 3000-1047 | Wire Set PL3 | X | X | | | | X |
| 15 | 8614-041 | Fuse Holder | X | X | | | | X |
| NS | 8407-032 | Transformer Stepdown 1.0 KVA | X | | | | | |
| NS | 8407-003 | Transformer Stepdown 1.5 KVA | X | X | | | | |
| NS | 8407-004 | Transformer Stepdown 2.0 KVA | | | X | | | X |
| NS | 8407-055 | Transformer Stepdown 3.0 KVA | | | | | | X |
| 16 | 8614-042 | Fuses Class CC 7A ① | | | 2 | | | 2 |
| 16 | 8614-046 | Fuses Class CC 5A ② | 2 | | 2 | | | |
| 16 | 8614-047 | Fuses Class CC 3.2A ③ | 2 | | | | | |
| 16 | 8614- | Fuses Class CC 10A ④ | | | | | | 2 |
| NS | 4101-300 | Wiring Diagram | X | | X | | | |

① 7 Amp fuses used with 2.0 KVA transformer.

② 5 Amp fuses used with 1.5 KVA transformer.

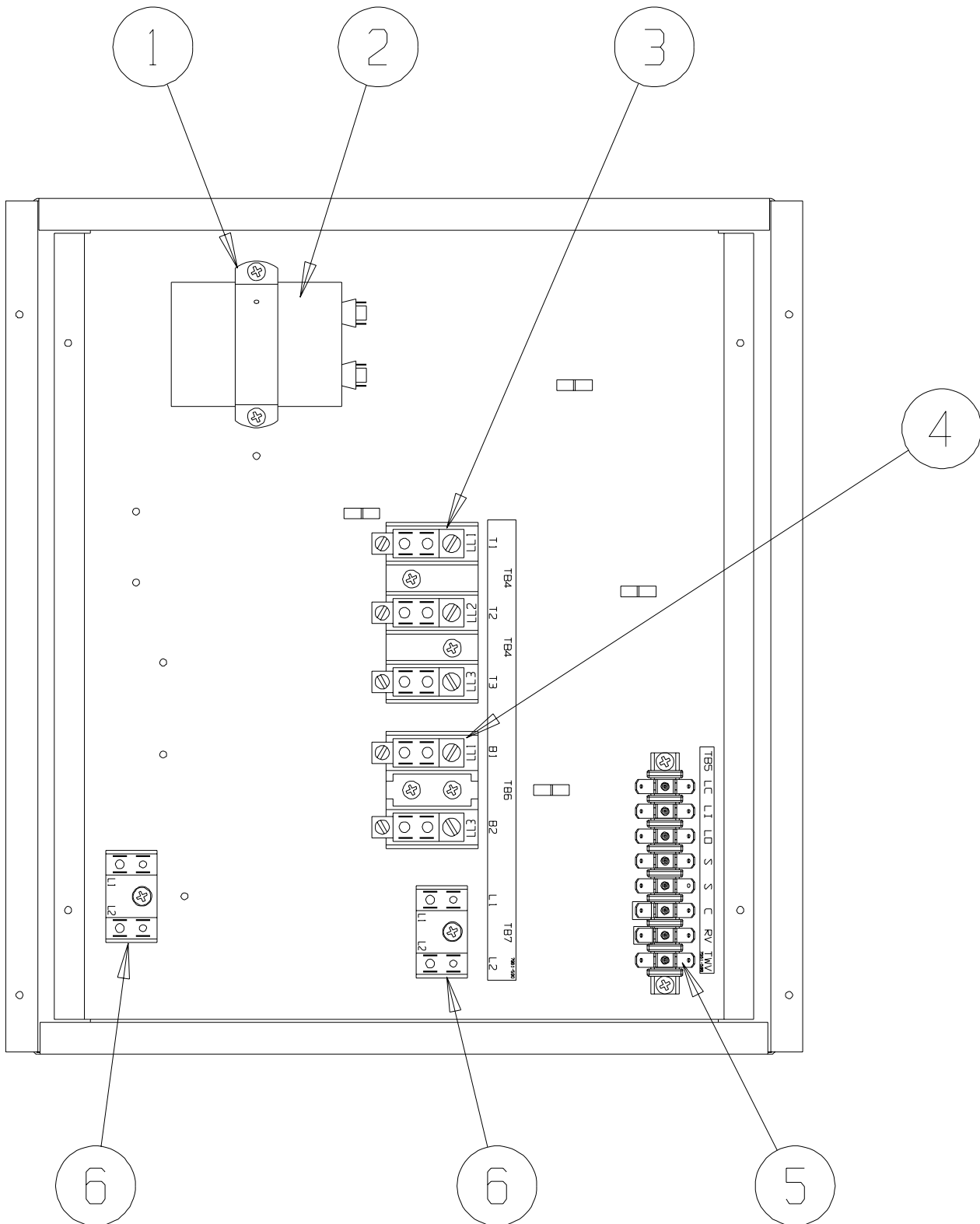
③ 3.2 Amp fuses used with 1KVA transformer.

④ 10 Amp fuses used with 3.0 KVA transformer.

NS = Not Shown

This Table references Exploded View on Page 11

LOWER CONTROL PANEL COMPONENTS

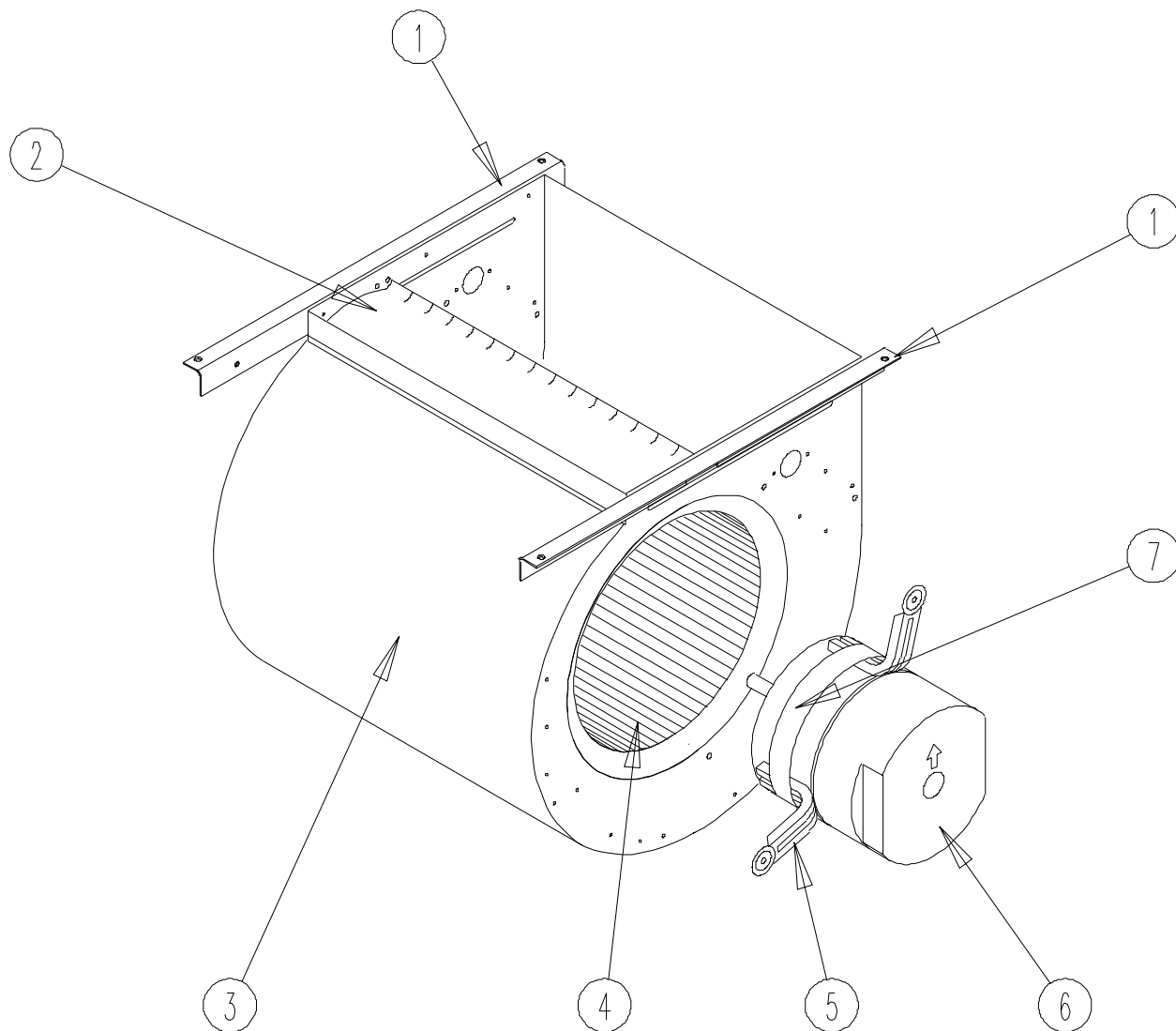


SEXP-381

LOWER CONTROL PANEL COMPONENTS

| Drawing | | | QW241-A | QW301-A | QW361-A | QW421-A | QW481-A | QW601-A | QW241-B | QW301-B | QW361-B | QW421-B | QW481-B | QW601-B | QW241-C | QW301-C | QW361-C | QW421-C | QW481-C | QW601-C |
|---------|----------|----------------------|---------|---------|---------|---------|---------|---------|---------|---------|---------|---------|---------|---------|---------|---------|---------|---------|---------|---------|
| No. | Part No. | Description | | | | | | | | | | | | | | | | | | |
| 1 | 8552-008 | Capacitor Strap | X | X | X | X | X | X | | | | | | | | | | | | |
| 2 | 8552-043 | Compressor Capacitor | X | | X | | | | | | | | | | | | | | | |
| 2 | 8552-035 | Compressor Capacitor | | X | | | | | | | | | | | | | | | | |
| 2 | 8552-074 | Compressor Capacitor | | | | X | | | | | | | | | | | | | | |
| 2 | 8552-075 | Compressor Capacitor | | | | | X | | | | | | | | | | | | | |
| 2 | 8552-058 | Compressor Capacitor | | | | | | X | | | | | | | | | | | | |
| 3 | 8607-014 | Terminal Block 3 Ter | | | | | | | | X | | | | | | | | X | | |
| 4 | 8607-013 | Terminal Block 2 Ter | X | X | X | X | X | X | | | | | | | | | | | | X |
| 5 | 8607-022 | Terminal Block 8 Pos | X | X | X | X | X | X | | X | | | | | | | | | | X |
| 6 | 8607-017 | Terminal Block 2 Ter | X | X | X | X | X | X | | X | | | | | | | | | | X |

BLOWER ASSEMBLY COMPONENTS

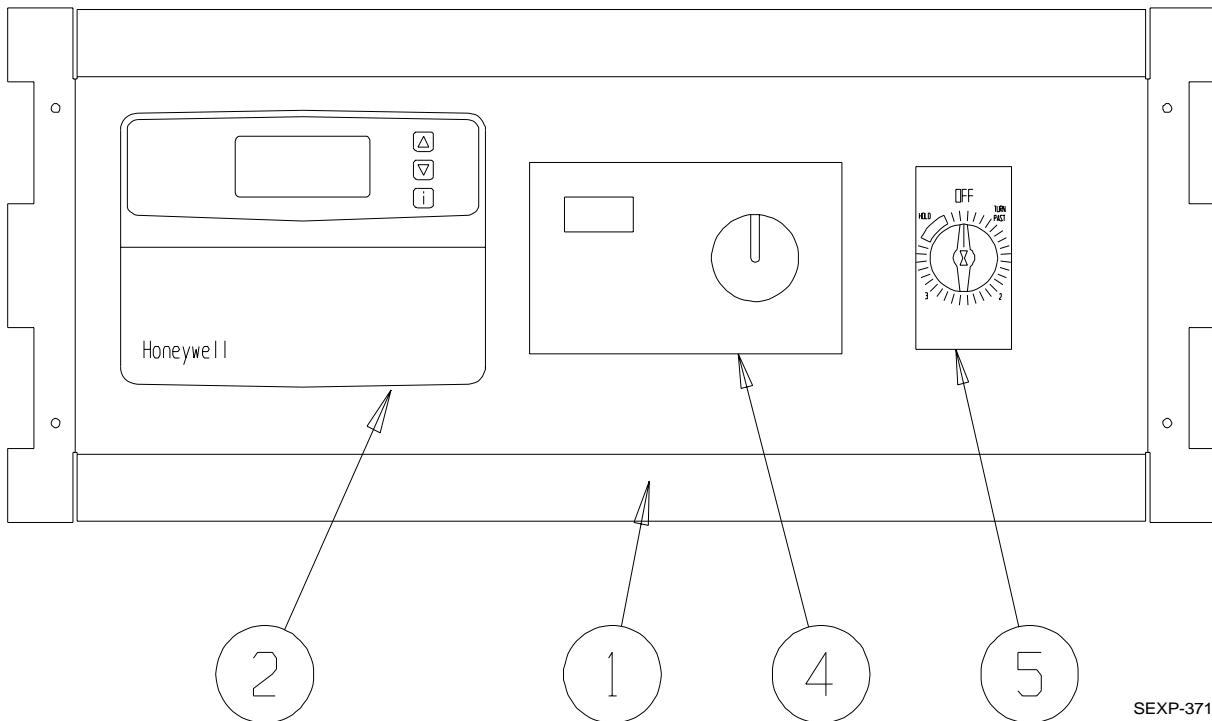
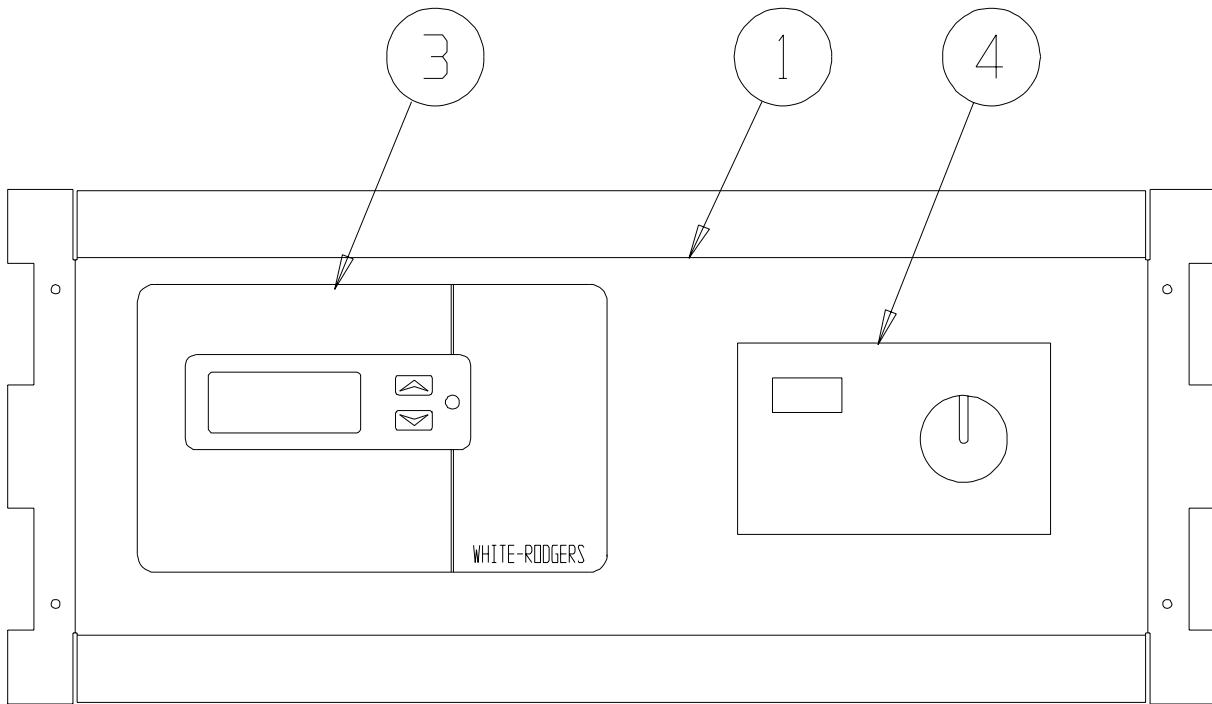


SEXP-245

BLOWER ASSEMBLY COMPONENTS

| Drawing No. | Part No. | Description | 900-225-001 | 900-225-002 | 900-225-004 | 900-225-005 | 900-254-001 |
|-------------|----------------|------------------|-------------|-------------|-------------|-------------|-------------|
| 1 | 104-980 | Blower Angle | 2 | 2 | 2 | 2 | 2 |
| 2 | 144-131 | Diffuser | X | X | X | X | X |
| 3 | 151-110 | Blower Housing | X | X | X | X | X |
| 4 | 5152-061 | Blower Wheel | X | X | X | X | X |
| 5 | 8200-034 | Motor Mount Arm | 3 | 3 | 3 | 3 | 3 |
| 6 | 8106-035-0003 | Motor | X | | | | |
| 6 | 8106-035-0004 | Motor | | X | | | |
| 6 | 8106-035-0005A | Motor | | | X | | |
| 6 | 8106-035-0013 | Motor | | | | X | |
| 6 | 8107-009-0023 | Motor | | | | | X |
| 7 | 8200-033 | Motor Mount Band | X | X | X | X | X |

OPTIONAL CLIMATE CONTROLS



SEXP-371

OPTIONAL CLIMATE CONTROLS

| | | | QW241, QW301 QW361, QW421 QW481, QW601 | | |
|-------------|-------------|---|--|----------|----------|
| | | | Option X | Option A | Option D |
| Drawing No. | Part No. | Description | | | |
| 1 | 127-313-* ① | Thermostat Plate | X | | |
| 1 | 127-308-* ① | Thermostat Plate | | X | X |
| 2 | 8403-042 | Electronic / Non-Programmable / Manual / Auto Change Over | | X | |
| 3 | 8403-049 | Electronic / Programmable / Manual / Auto Change Over | | | X |
| NS | 3000-1157 | Wire Harness, Low Voltage, Terminal Strip to PL2 | X | | |
| NS | 3000-1156 | Wire Harness, Thermostat to PL2 | | X | |
| NS | 3000-1155 | Wire Harness, Thermostat to PL2 | | | X |
| NS | 8607-019 | Low Voltage Terminal Strip | X | X | |
| NS | 4102-020 | Wiring Diagram | X | | |
| NS | 4102-021 | Wiring Diagram | | X | |
| NS | 4102-022 | Wiring Diagram | | | X |

① Exterior cabinet parts are manufactured with various color options. To insure that you receive the proper color, you must include the complete models and serial number of the unit for which parts are being ordered.

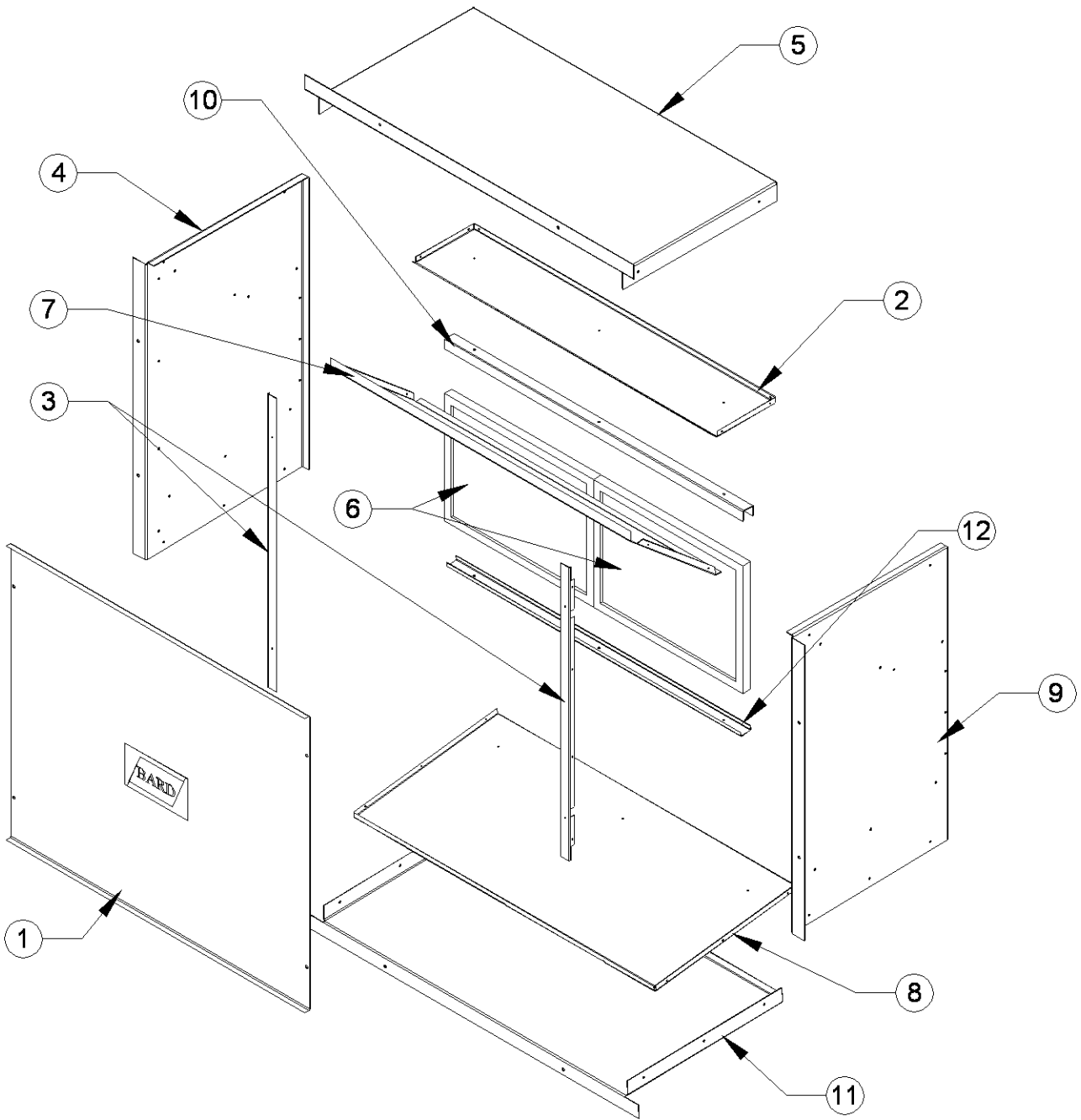
NS Not Shown

CLIMATE CONTROL OPTION NOMENCLATURE AS SHOWN IN UNIT MODEL NUMBER

QW 361 - A 02 X X X X X X

- X – None
- A – Electronic, non-programmable, manual change over
- D – Electronic, programmable, manual/auto change over

WALL SLEEVE CABINET COMPONENTS



SEXP-377

WALL SLEEVE CABINET COMPONENTS

| Drawing No. | Part No. | Description | QWVS42 |
|-------------|-----------|-----------------------|--------|
| 1 | 142-076 | Cover | X |
| 2 | 121-350-X | Top Partition | X |
| 3 | 104-1103 | Angle | 2 |
| 4 | 111-072-X | Left Side | X |
| 5 | 110-074-X | Top | X |
| 6 | 7003-056 | Mist Eliminator | 2 |
| 7 | 111-076-X | Air Deflector | X |
| 8 | 121-349-X | Partition | X |
| 9 | 111-073-X | Right Side | X |
| 10 | 164-566 | Upper Support Channel | X |
| 11 | 111-075-X | Base | X |
| 12 | 164-567 | Lower Support Channel | X |