
REPLACEMENT PARTS MANUAL

WALL MOUNTED PACKAGE HEAT PUMPS

Models: **WH421D**
WH483D
WH602D

General Notes

- Revised and/or additional pages may be issued from time to time.
- A complete and current manual consists of pages shown in the following contents section.

Important

- Contact the installing and/or local Bard distributor for all parts requirements. Make sure you have the complete model and serial number available from the unit rating plate.

Contents

Description	Page
Cabinet Components	
♦ Exploded View	1
♦ Usage List	2
Functional Components	
♦ Exploded View	3
♦ Usage List	4
Control Panel	
♦ Layout View	5
♦ Usage List	6
Blower Housing	
♦ Exploded View	7
♦ Usage List	7

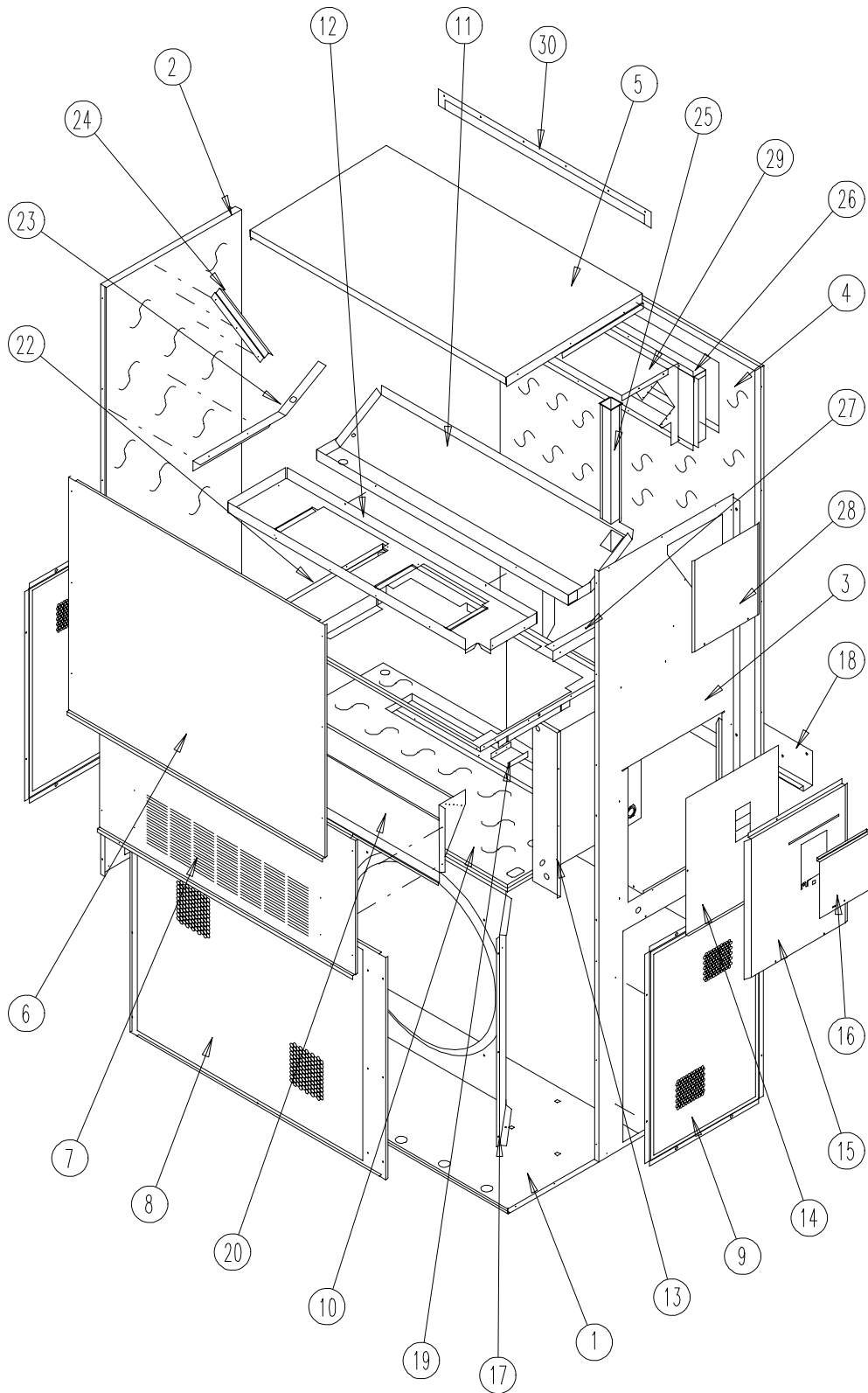


CLIMATE CONTROL SOLUTIONS

BARD MANUFACTURING COMPANY
Bryan, Ohio 43506
Since 1914...Moving ahead, just as planned.

Manual: 2110-536
Supersedes:
File: Tab 17
Date: 03-01-02

CABINET COMPONENTS



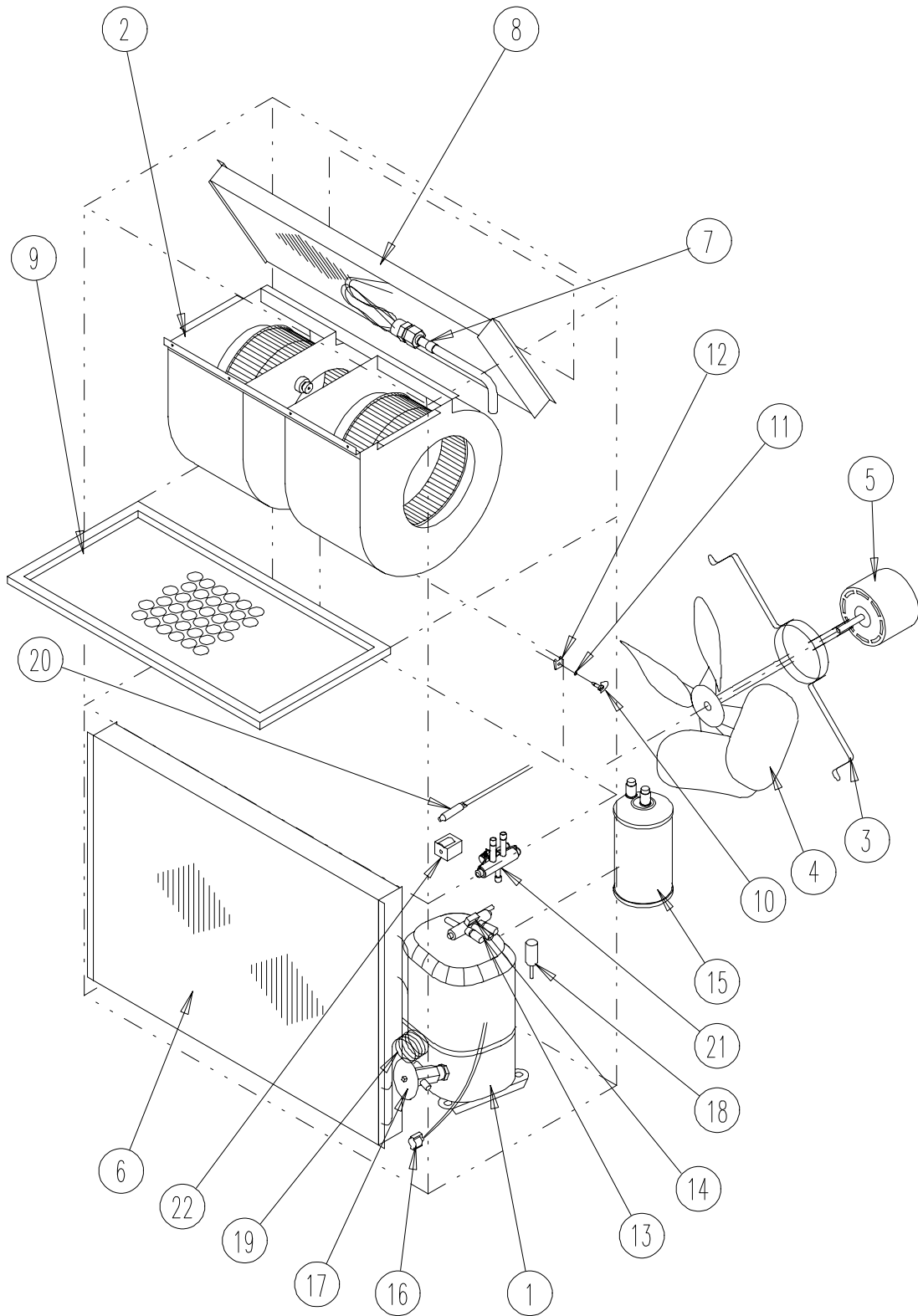
SEXP-175

CABINET COMPONENTS

Drawing No.	Part No.	Description	WH421DA, DB	WH421DC	WH483DA, DB	WH483DC	WH602DA, B	WH602DC
1	S127-214	Lower Base	X	X	X	X	X	X
2	S500-262-* ^①	Left Side	X	X	X	X	X	X
3	S500-261-* ^①	Right Side	X	X	X	X	X	X
4	S508-098	Back	X	X	X	X	X	X
5	S506-142-* ^①	Top	X	X	X	X	X	X
6	S514-077-* ^①	Upper Front	X	X	X	X	X	X
7	S552-224-* ^①	Service Door	X	X	X	X	X	X
8	118-031-* ^①	Condenser Grille	X	X	X	X	X	X
9	118-032-* ^①	Side Grille	2	2	2	2	2	2
10	S521X258	Condenser Partition	X	X	X	X	X	X
11	123-083	Drain Pan	X	X	X	X	X	X
12	121X216	Blower Partition	X	X	X	X	X	X
13	Control Panel Assy	See Control Panel Assembly Dwg	X	X	X	X	X	X
14	S133-114	Control Panel Cover (Inner)	X		X		X	
14	S133-115	Control Panel Cover (Inner)		X		X		X
15	S533-113-* ^①	Control Panel Cover (Outer)	X	X	X	X	X	X
16	S153-218-* ^①	Disconnect Access Door	X	X	X	X	X	X
17	125-024	Fan Shroud	X	X	X	X	X	X
18	113-140	Bottom Mounting Bracket	X	X	X	X	X	X
19	137-209	Fill	X	X	X	X	X	X
20	BFAD-5	Fresh Air Damper Assembly	X	X	X	X	X	X
22	131X099	Filter Tray	X	X	X	X	X	X
23	105X877	Left Side Support	X	X	X	X	X	X
24	147-046-* ^①	Left Evaporator Support	X	X	X	X	X	X
25	135-128	Raceway	X	X	X	X	X	X
26	111X034	Outlet Airframe Assembly	X	X	X	X	X	X
27	105X878	Right Side Support	X	X	X	X	X	X
28	143-042-* ^①	Right Side Cover Plate (Outer)	X	X	X	X	X	X
29	135-129	Heat Shield	X	X	X	X	X	X
30	113-150-* ^①	Top Rain Flashing	X	X	X	X	X	X

^① Exterior cabinet parts are manufactured with various paint color options. To insure that you receive the proper paint color, you must include the complete model and serial number of the unit for which cabinet parts are being ordered.

FUNCTIONAL COMPONENTS



SEXP-329

FUNCTIONAL COMPONENTS

Drawing No.	Part No.	Description	WH421DA	WH421DB	WH421DC	WH483DA	WH483DB	WH483DC	WH602DA	WH602DB	WH602DC
1	8000-126	Compressor	X								
1	8000-127	Compressor		X							
1	8000-128	Compressor			X						
1	8000-236	Compressor				X					
1	8000-221	Compressor					X				
1	8000-222	Compressor						X			
1	8000-153	Compressor							X		
1	8000-154	Compressor								X	
1	8000-155	Compressor									X
2	S900-183	Blower Assembly	X	X		X	X				
2	S900-184	Blower Assembly			X			X			
2	S900-185	Blower Assembly							X	X	
2	S900-186	Blower Assembly									X
3	8202-004	Fan Motor Mount	X	X	X	X	X	X	X	X	X
4	5151-027	Fan Blade	X	X	X	X	X	X	X	X	X
5	8105-039	Condenser Motor	X	X		X	X		X	X	
5	8105-030	Condenser Motor			X			X			X
6	5051-117	Condenser Coil	X	X	X						
6	5051-075	Condenser Coil				X	X	X			
6	5051-077	Condenser Coil							X	X	X
7	5651-158	TXV – Cooling	X	X	X						
7	5651-102	TXV – Cooling				X	X	X			
7	5651-103	TXV– Cooling							X	X	X
8	917-0042	Evaporator Coil Assembly	X	X	X	X	X	X			
8	917-0049	Evaporator Coil Assembly							X	X	X
9	7004-01	Air Filter 1" Throwaway	X	X	X	X	X	X	X	X	X
9	7004-03	Air Filter 1" Washable	X	X	X	X	X	X	X	X	X
9	7004-027	Air Filter 2" Pleated	X	X	X	X	X	X	X	X	X
10	1171-022	1/4" Turn Fastener	X	X	X	X	X	X	X	X	X
11	1171-024	1/4" Turn Retainer	X	X	X	X	X	X	X	X	X
12	1171-023	1/4" Receptacle	X	X	X	X	X	X	X	X	X
13	5650-021	Reversing Valve	X	X	X						
13	5650-024	Reversing Valve				X	X	X			
13	5650-025	Reversing Valve							X	X	X
14	5650-022	Reversing Valve Solenoid	X	X	X	X	X	X	X	X	X
15	5202-011	Accumulator	X	X	X						
16	8408-027	Defrost Sensor	X	X	X	X	X	X	X	X	X
17	5651-102	TXV – Heating				X	X	X			
17	5651-103	TXV – Heating							X	X	X
18	8406-055	High Pressure Switch (Solder)	X	X	X	X	X	X	X	X	X
19	800-0210	Heating Distributor Assembly				X	X	X			
19	800-0296	Heating Distributor Assembly	X	X	X						
19	800-0211	Heating Distributor Assembly							X	X	X
20	800-0297	Drain Back Assembly	X	X	X						
20	800-0300	Drain Back Assembly				X	X	X			
20	800-0299	Drain Back Assembly							X	X	X
21	5650-026	Three Way Valve	X	X	X	X	X	X			
22	5650-027	Solenoid Coil	X	X	X	X	X	X	X	X	X
NS	1804-0106	High Press. Switch (Flare) (Opt.)	X	X	X	X	X	X	X	X	X
NS	1804-0107	Low Press. Switch (Flare) (Opt.)	X	X	X	X	X	X	X	X	X
NS	CMA-6	Low Ambient Ctrl. (Flare) (Opt.)	X	X	X	X	X	X	X	X	X

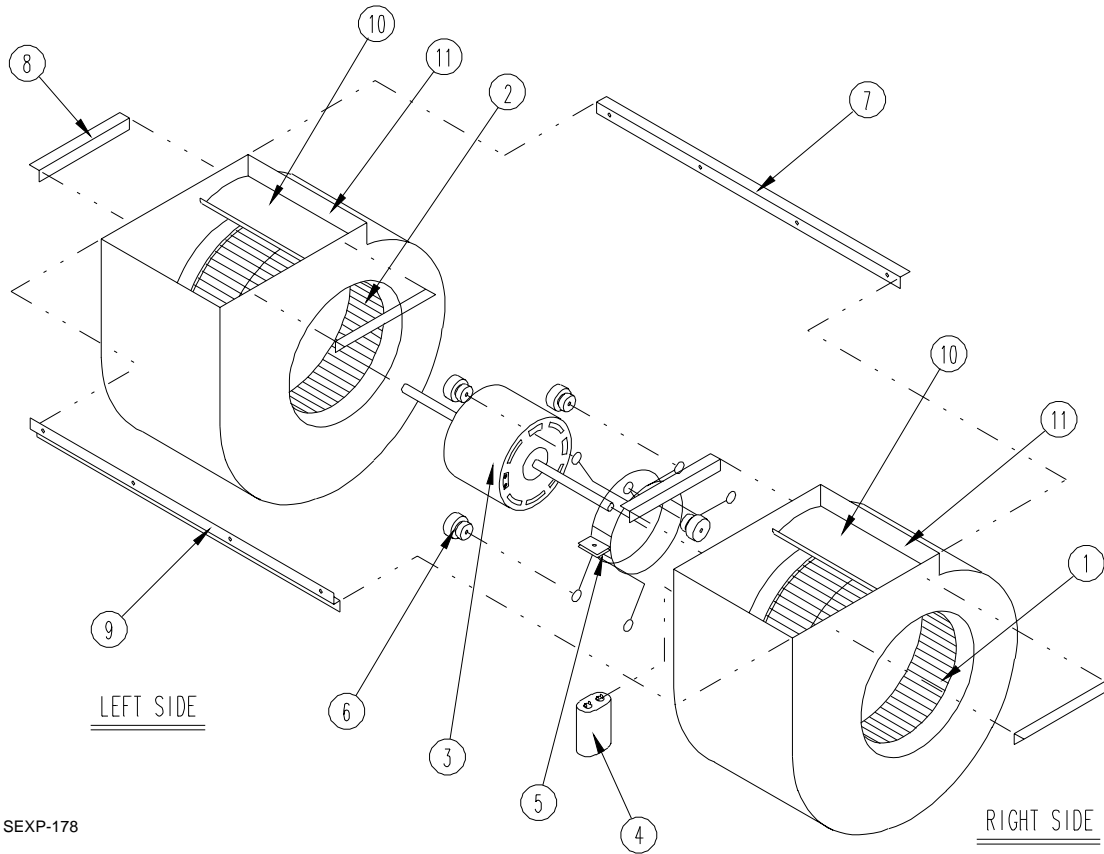
NS = Not Shown

CONTROL PANEL COMPONENTS

Drawing No.	Part No.	Description	WH421DA	WH421DB	WH421DC	WH483DA	WH483DB	WH483DC	WH602DA	WH602DB	WH602DC
1	117X229	Control Panel	X	X	X	X	X	X	X	X	X
2	8201-056	Blower Control	X	X		X	X		X	X	
2	8201-032	Blower Relay			X			X			X
3	8201-069	Heat Pump Control Board	X	X	X	X	X	X	X	X	X
4	8201-062	Control Relay	2	2	2	2	2	2	2	2	2
5	8201-048	Control Relay	2	2	2	2	2	2	2	2	2
6	8201-071	Control Relay	2	2	2	2	2	2	2	2	2
7	8607-019	Low Voltage Terminal Strip	X	X	X	X	X	X	X	X	X
8	8401-007	Compressor Contactor	X				X	X		X	X
8	8401-002	Compressor Contactor		X	X					X	
8	8401-016	Compressor Contactor				X			X		
9	8408-037	Return Air Thermostat	X	X	X	X	X	X	X	X	X
10	8552-005	Outdoor Motor Capacitor		X			X			X	
10	8552-055	Compressor Capacitor	X								
10	8552-026	Outdoor Motor Capacitor			X			X			X
10	8552-072	Compressor Capacitor				X					
10	8552-058	Compressor Capacitor							X		
11	135-130	Wire Shield	X	X	X	X	X	X	X	X	X
12	8201-032	Outdoor Fan Relay			X			X			X
12	8551-005	Start Device (Not Shown)	X			X			X		
13	8407-048	Transformer	X	X		X	X		X	X	
13	8407-050	Transformer			X			X			X
14	8607-013	Terminal Block 2 Pole	X			X			X		
14	8607-014	Terminal Block 3 Pole		X	X		X	X		X	X
14	8607-015	Phenolic Insulator			X			X			X
15	8201-008	Low Ambient Bypass Relay (Opt.)	X	X	X	X	X	X	X	X	X
16	8201-065	Low Pressure Bypass TDR (Opt.)	X	X	X	X	X	X	X	X	X
17	3000-1109	Wire Harness	X	X	X	X	X	X	X	X	X
18	8201-085	Phase Monitor					X	X		X	X
19	117X230	Low Voltage Box	X	X	X	X	X	X	X	X	X
20	8201-089	Time Delay Relay 10 sec. Delay Off	X	X	X	X	X	X	X	X	X
NS	4096-119	Wiring Diagram	X								
NS	4096-120	Ladder Diagram	X								
NS	4096-121	Wiring Diagram				X			X		
NS	4096-122	Ladder Diagram				X			X		
NS	4096-220	Wiring Diagram		X							
NS	4096-221	Ladder Diagram		X							
NS	4096-222	Wiring Diagram					X			X	
NS	4096-223	Ladder Diagram					X			X	
NS	4096-320	Wiring Diagram				X					
NS	4096-321	Ladder Diagram				X					
NS	4096-322	Wiring Diagram						X			X
NS	4096-323	Ladder Diagram						X			X

NS = Not Shown
Opt. = Optional

BLOWER ASSEMBLY



SEXP-178

Dwg. No.	Part No.	Description	900-183	900-184	900-185	900-186
1	5152-011	10 Inch Wheel (CW)			X	X
1	5152-057	9 Inch Wheel (CW)	X	X		
2	5152-012	10 Inch Wheel (CCW)			X	X
2	5152-058	9 Inch Wheel (CCW)	X	X		
3	8106-030	Blower Motor (230/208)	X		X	
3	8106-025	Blower Motor (460)		X		X
4	8552-005	Capacitor	X	X	X	X
5	8200-040	Motor Mount	X	X	X	X
6	5451-011	Grommets	6	6	6	6
7	105-881	Back Brace	X	X	X	X
8	105-880	Side Angle	4	4	4	4
9	103-389	Front Brace	X	X	X	X
10	151-101	Housing	2	2	2	2
11	144-166	Diffuser	2	2	2	2