
REPLACEMENT PARTS MANUAL

WALL MOUNTED PACKAGE HEAT PUMPS

Models: **WH421**
WH483
WH602

General Notes

- Revised and/or additional pages may be issued from time to time.
- A complete and current manual consists of pages shown in the following contents section.

Important

- Contact the installing and/or local Bard distributor for all parts requirements. Make sure you have the complete model and serial number available from the unit rating plate.

Contents

Description	Page
Cabinet Components	
♦ Exploded View	2
♦ Usage List	3
Functional Components	
♦ Exploded View	4
♦ Usage List	5
Control Panel	
♦ Layout View	6
♦ Usage List	7
Blower Housing	
♦ Exploded View	8
♦ Usage List	8

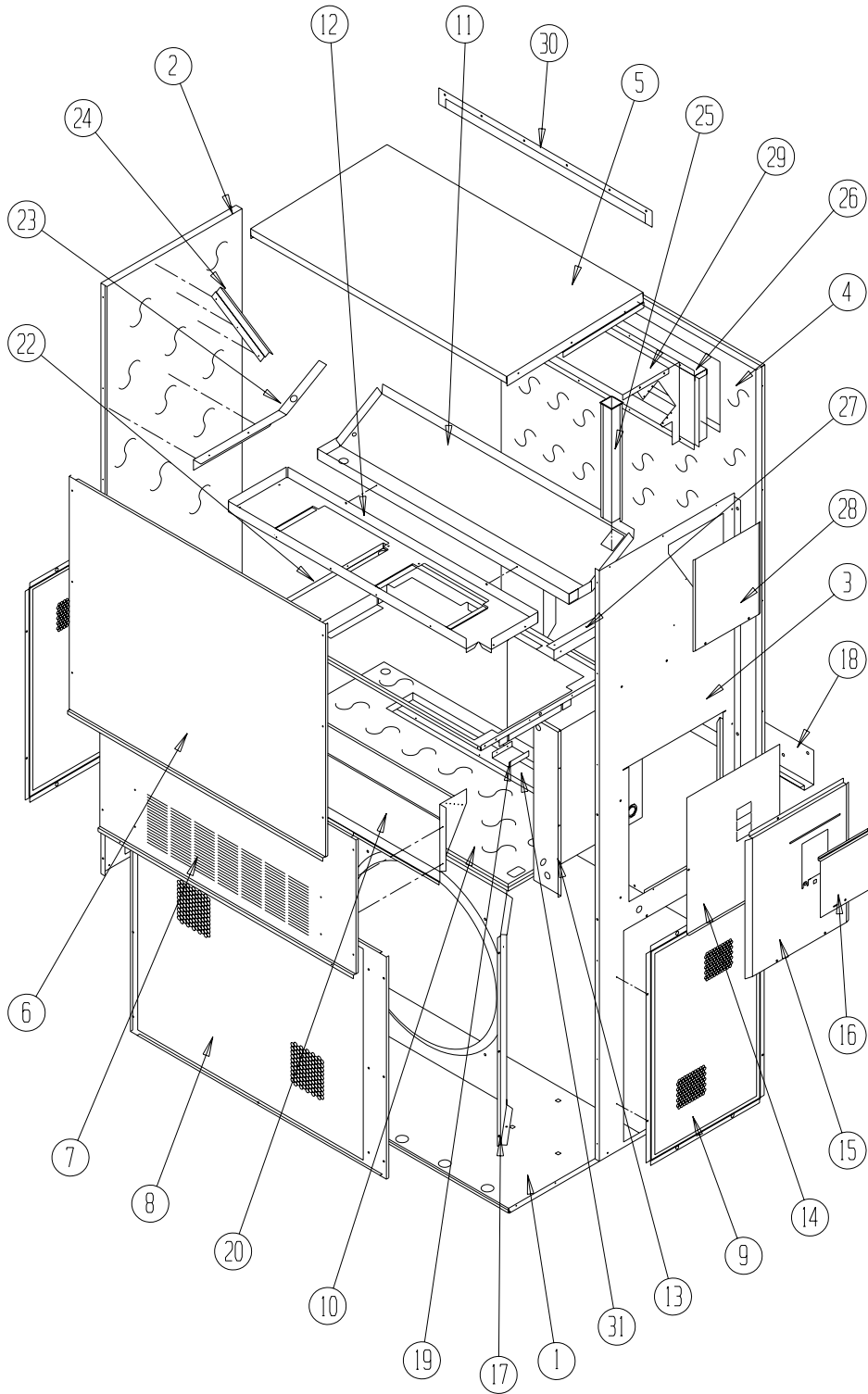


Climate Control Solutions

Bard Manufacturing Company, Inc.
Bryan, Ohio 43506
Since 1914...Moving ahead, just as planned.

Manual: 2110-537D
Supersedes: 2110-537C
File: Tab 17
Date: 09-05-08

CABINET COMPONENTS



SEXP-175

CABINET COMPONENTS

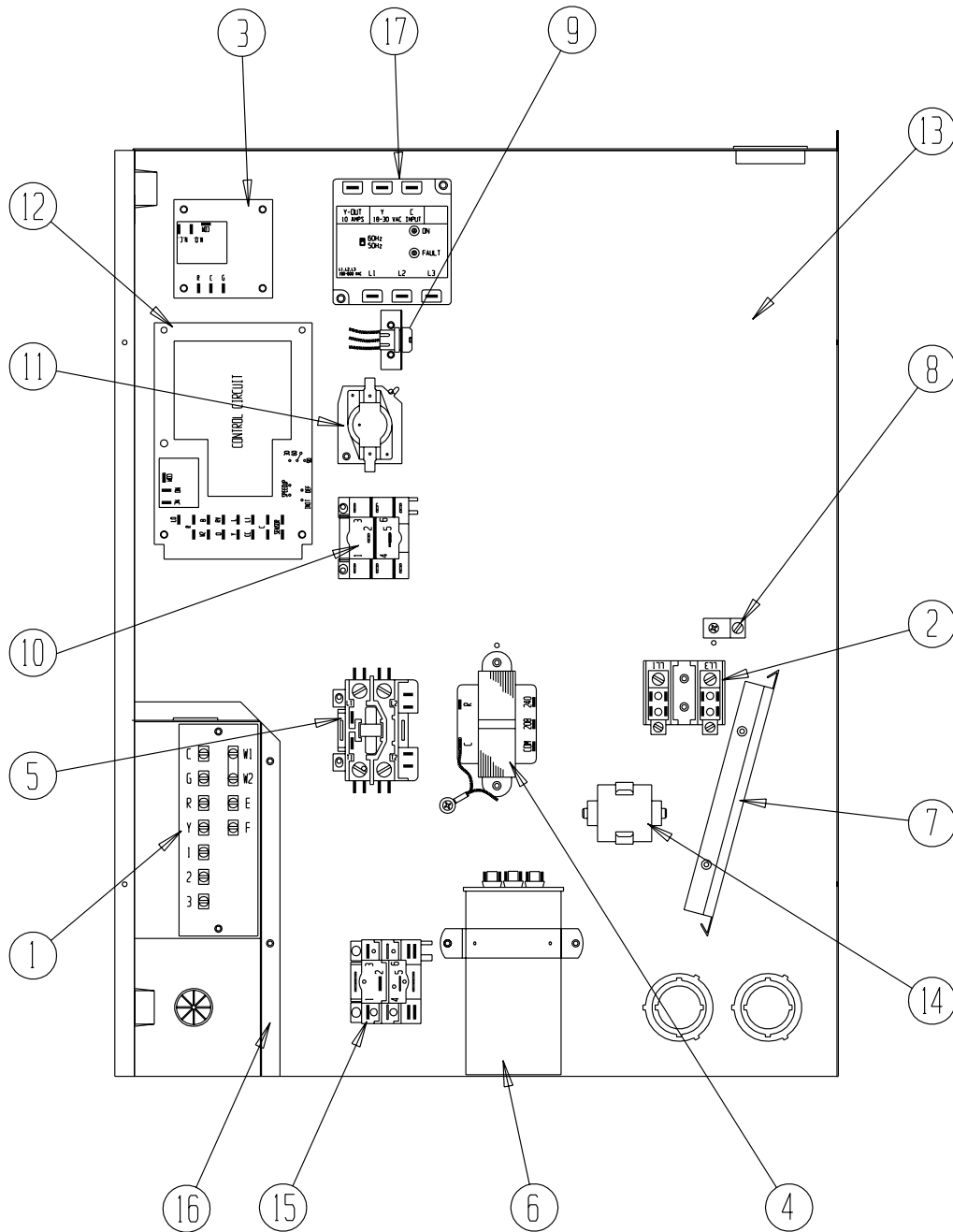
Dwg. No.	Part Number	Description	WH421-A, -B	WH421-C	WH483-A, -B	WH483-C	WH602-A, -B	WH602-C
1	S127X214	Lower Base	X	X	X	X	X	X
2	S500-262-* ①	Left Side	X	X	X	X	X	X
3	S500-261-* ①	Right Side	X	X	X	X	X	X
4	S508-098	Back	X	X	X	X	X	X
5	S506-142-* ①	Top	X	X	X	X	X	X
6	S514-077-* ①	Upper Front	X	X	X	X	X	X
7	S552-224-* ①	Service Door	X	X	X	X	X	X
8	118-048-* ①	Condenser Grille	X	X	X	X	X	X
9	118-057-* ①	Side Grille	2	2	2	2	2	2
10	S521X258	Condenser Partition	X	X	X	X	X	X
11	S123-102	Drain Pan	X	X	X	X	X	X
12	121X216	Blower Partition	X	X	X	X	X	X
13	Control Panel Assembly	See Control Panel Assembly Drawing and Parts List Assembly	X	X	X	X	X	X
14	S132-114	Control Panel Cover (Inner)	X		X		X	
14	S132-171	Control Panel Cover (Inner)		X		X		X
15	S533-113-* ①	Control Panel Cover (Outer)	X	X	X	X	X	X
16	S153-218-* ①	Disconnect Access Door	X	X	X	X	X	X
17	125-024	Fan Shroud	X	X	X	X	X	X
18	113-140	Bottom Mounting Bracket	X	X	X	X	X	X
19	137-209	Fill	X	X	X	X	X	X
20	BFAD-5	Fresh Air Damper Assembly	X	X	X	X	X	X
22	131X099	Filter Tray	X	X	X	X	X	X
23	105X877	Left Side Support	X	X	X	X	X	X
24	147-046	Left Evaporator Support	X	X	X	X	X	X
25	135-128	Raceway	X	X	X	X	X	X
26	S111X034	Outlet Air Frame Assembly	X	X	X	X	X	X
27	105X878	Right Side Support	X	X	X	X	X	X
28	S143-042-* ①	Right Side Cover Plate (Outer)	X	X	X	X	X	X
29	135-129	Heat Shield	X	X	X	X	X	X
30	113-150-* ①	Top Rain Flashing	X	X	X	X	X	X
NS	S536-258	Blank Off Plate	X	X	X	X	X	X

① Exterior cabinet parts are manufactured with various paint color options. To insure that you receive the proper paint color, you must include the complete model and serial number of the unit for which cabinet parts are being ordered.

FUNCTIONAL COMPONENTS

Drawing No.	Part No.	Description	WH421-A	WH421-B	WH421-C	WH483-A	WH483-B	WH483-C	WH602-A	WH602-B	WH602-C
1	8000-153	Compressor							X		
1	8000-154	Compressor								X	
1	8000-155	Compressor									X
1	8000-126	Compressor	X								
1	8000-127	Compressor		X							
1	8000-128	Compressor			X						
1	8000-236	Compressor				X					
1	8000-221	Compressor					X				
1	8000-222	Compressor						X			
2	S900-183	Blower Assembly	X	X		X	X				
2	S900-184	Blower Assembly			X			X			
2	S900-185	Blower Assembly							X	X	
2	S900-186	Blower Assembly									X
3	8200-004	Fan Motor Mount	X	X	X	X	X	X	X	X	X
4	5151-027	Fan Blade	X	X	X	X	X	X	X	X	X
5	8105-039	Condenser Motor	X	X		X	X		X	X	
5	8105-030	Condenser Motor			X			X			X
6	5051-076BX	Condenser Coil	X	X	X						
6	5051-075BX	Condenser Coil				X	X	X			
6	5051-077BX	Condenser Coil							X	X	X
7	800-0205	Cooling Distributor Assembly	X	X	X						
7	800-0318	Cooling Distributor Assembly				X	X	X			
7	800-0234	Cooling Distributor Assembly							X	X	X
8	5060-070BX	Evaporator Coil	X	X	X	X	X	X			
8	5060-071BX	Evap. Coil (S/N before M95)							X	X	X
8	5060-082BX	Evap. Coil (S/N starting M95)							X	X	X
9	7004-016	Air Filter 1" Throwaway	X	X	X	X	X	X	X	X	X
9	7003-030	Air Filter 1" Washable (Optional)	X	X	X	X	X	X	X	X	X
9	7004-027	Air Filter 2" Pleated (Optional)	X	X	X	X	X	X	X	X	X
10	1171-022	1/4" Turn Fastener	X	X	X	X	X	X	X	X	X
11	1171-024	1/4" Turn Retainer	X	X	X	X	X	X	X	X	X
12	1171-023	1/4" Receptacle	X	X	X	X	X	X	X	X	X
13	5650-039	Reversing Valve with 24V Solenoid Coil	X	X	X						
13	5650-040	Reversing Valve with 24V Solenoid Coil				X	X	X			
13	5650-041	Reversing Valve with 24V Solenoid Coil							X	X	X
14	5650-042	Rev. Valve Solenoid, Red Casing (Ranco)	X	X	X	X	X	X	X	X	X
14	5650-043	Rev. Valve Solenoid, Black Casing (Wilspec)	X	X	X	X	X	X	X	X	X
14	5650-046	Rev. Valve Solenoid, Black Casing (San Hua)	X	X	X	X	X	X	X	X	X
15	5650-037	Molded Plug 36" Lead	X	X	X	X	X	X	X	X	X
16	5202-024	Accumulator	X	X	X						
17	8620-095	Defrost Sensor	X	X	X	X	X	X	X	X	X
18	5651-102	Expansion Valve				X	X	X			
18	5651-103	Expansion Valve							X	X	X
19	8406-055	High Pressure Switch (Solder) (Optional)	X	X	X	X	X	X	X	X	X
20	800-0210	Heating Distributor Assembly				X	X	X			
20	800-0211	Heating Distributor Assembly							X	X	X
20	800-0208	Heating Capillary Assembly	X	X	X						
NS	1804-0106	High Pressure Switch (Flare) (Optional)	X	X	X	X	X	X	X	X	X
NS	1804-0107	Low Pressure Switch (Flare) (Optional)	X	X	X	X	X	X	X	X	X
NS	CMA-6	Low Ambient Control (Flare) (Optional)	X	X	X	X	X	X	X	X	X
NS	5651S036	Check Valve	X	X	X						

CONTROL PANEL COMPONENTS



SEXP-179 A

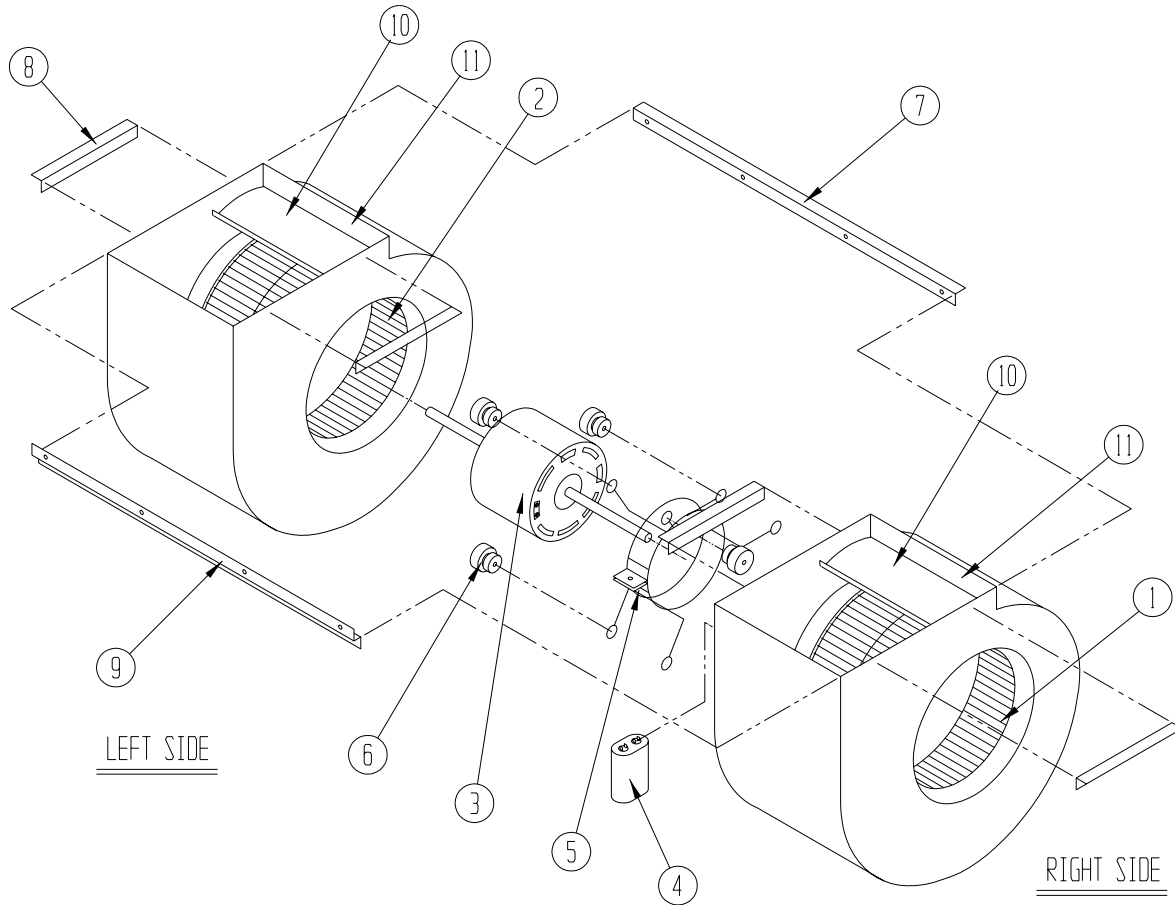
CONTROL PANEL COMPONENTS

Drawing No.	Part No.	Description	WH421-A	WH421-B	WH421-C	WH483-A	WH483-B	WH483-C	WH602-A	WH602-B	WH602-C
1	8607-019	Low Voltage Terminal Strip	X	X	X	X	X	X	X	X	X
2	8607-013	Terminal Block 2 Pole	X			X			X		
2	8607-014	Terminal Block 3 Pole		X	X		X	X		X	X
2	8607-015	Phenolic Insulator		X			X			X	
3	8201-056	Blower Control	X	X		X	X		X	X	
3	8201-032	Blower Relay			X			X			X
4	8407-035	Transformer	X	X		X	X		X	X	
4	8407-042	Transformer			X			X			X
5	8401-007	Compressor Contactor	X								
5	8401-002	Compressor Contactor		X	X		X	X		X	X
5	8401-016	Compressor Contactor				X			X		
6	8552-005	Outdoor Motor Capacitor		X			X			X	
6	8552-055	Compressor Capacitor	X								
6	8552-058	Compressor Capacitor							X		
6	8552-026	Outdoor Motor Capacitor			X			X			X
6	8552-072	Compressor Capacitor				X					
7	135-130	Wire Shield	X	X	X	X	X	X	X	X	X
8	8611-006	Ground Terminal	X	X	X	X	X	X	X	X	X
9	3000-977	6 Pin Connector	X	X	X	X	X	X	X	X	X
10	8201-086	Low Ambient Bypass Relay ①	X	X	X	X	X	X	X	X	X
11	8201-065	Low Pressure Bypass TDR ①	X	X	X	X	X	X	X	X	X
12	8201-102	Heat Pump Control Board	X	X	X	X	X	X	X	X	X
13	117X143	Control Panel	X	X	X	X	X	X	X	X	X
14	8551-004	Start Device	X								
15	8201-032	Outdoor Fan Relay			X			X			X
16	117X139	Low Voltage Box	X	X	X	X	X	X	X	X	X
17	8201-085	Phase Monitor					X	X		X	X
NS	4096-110	Wiring Diagram	X			X					
NS	4096-210	Wiring Diagram		X			X				
NS	4096-310	Wiring Diagram			X			X			
NS	4096-113	Wiring Diagram							X		
NS	4096-213	Wiring Diagram								X	
NS	4096-313	Wiring Diagram									X

NS = Not Shown

① = Optional

BLOWER ASSEMBLY



SEXP-178

Drawing No.	Part No.	Description	S900-183	S900-184	S900-185	S900-186
1	5152-011	10 Inch Wheel (CW)			X	X
1	5152-057	9 Inch Wheel (CW)	X	X		
2	5152-012	10 Inch Wheel (CCW)			X	X
2	5152-058	9 Inch Wheel (CCW)	X	X		
3	8106-030	Blower Motor (230/208)	X		X	
3	8106-025	Blower Motor (460)		X		X
4	8552-005	Capacitor	X	X	X	X
5	8200-040	Motor Mount	X	X	X	X
6	5451-011	Grommets	6	6	6	6
7	105-881	Back Brace	X	X	X	X
8	105-880	Side Angle	4	4	4	4
9	103-389	Front Brace	X	X	X	X
10	151-101	Blower Housing	2	2	2	2
11	144-166	Diffuser	2	2	2	2