
REPLACEMENT PARTS MANUAL

QTEC SERIES PACKAGED HEAT PUMP

Models:

QH243 **QH302**
QH362 **QH422**
QH482 **QH602**

General Notes

- Revised and/or additional pages may be issued from time to time.
- A complete and current manual consists of pages shown in the following contents section.

Contents

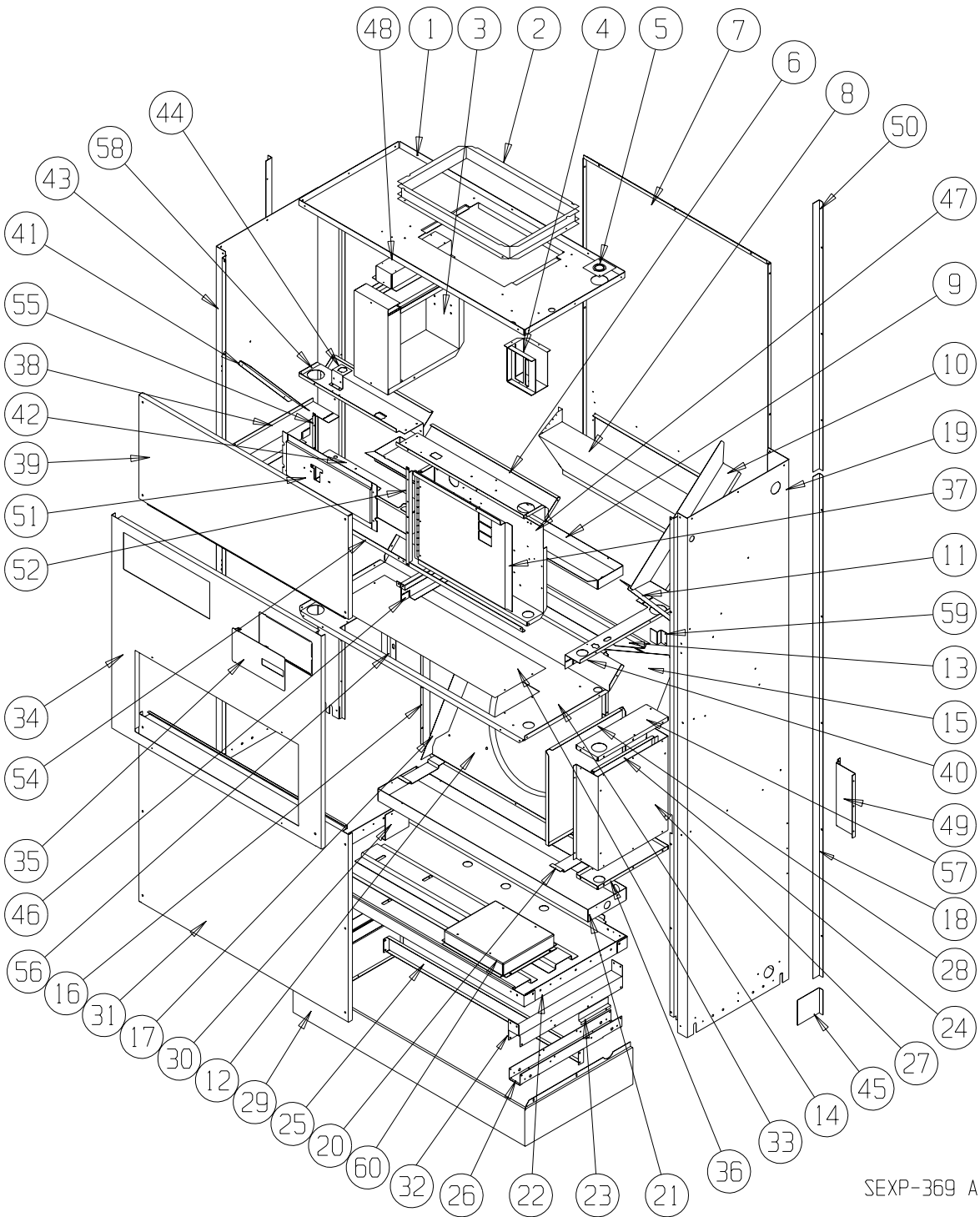
| Description | Page |
|-------------------------------------|------|
| Cabinet Components | |
| ♦ Exploded View | 2 |
| ♦ Usage List | 3 |
| ♦ Usage List | 4 |
| ♦ Usage List | 5 |
| ♦ Usage List | 6 |
| ♦ Blank Page | 7 |
| Functional Components | |
| ♦ Exploded View | 8 |
| ♦ Usage List | 9 |
| ♦ Usage List | 10 |
| ♦ Usage List | 11 |
| ♦ Blank Page | 12 |
| Upper Control Panel Components | |
| ♦ Exploded View | 13 |
| ♦ Usage List | 14 |
| ♦ Usage List | 15 |
| ♦ Usage List | 16 |
| ♦ Usage List | 17 |
| ♦ Usage List | 18 |
| ♦ Usage List | 19 |
| Lower Control Panel Components | |
| ♦ Exploded View | 20 |
| ♦ Usage List | 21 |
| Blower Assembly Components | |
| ♦ Exploded View | 22 |
| ♦ Usage List | 23 |
| Optional Climate Control Components | |
| ♦ Exploded View | 24 |
| ♦ Usage List | 25 |
| Wall Sleeve Cabinet Components | |
| ♦ Exploded View | 26 |
| ♦ Usage List | 27 |



Bard Manufacturing Company, Inc.
Bryan, Ohio 43506
Since 1914...Moving ahead, just as planned.

Manual: 2110-547G
Supersedes: 2110-547F
File: Tab 14
Date: 06-28-07

CABINET COMPONENTS



SEXP-369 A

This Exploded View is referenced in Tables on Page 3, 4, 5 & 6

CABINET COMPONENTS

| Drawing No. | Part No. | Description | QH243-A, B | | QH302-A, B | | QH302-C | | QH362-A, -B | | QH422-A, B | |
|-------------|--------------|-------------------------------------|------------|-------------|------------|-------------|---------|-------------|-------------|---|------------|---|
| | | | QH243-C | QH302LA, LB | QH302LC | QH362LA, LB | QH362LC | QH422LA, LB | QH422LC | | | |
| 1 | 506-225 | Top Assembly | X | X | X | X | X | X | X | X | X | X |
| 2 | 110-044 | Outlet Duct Flange | 2 | 2 | 2 | 2 | 2 | 2 | 2 | 2 | 2 | 2 |
| 3 | See Page 13 | Heater Package Assembly (Optional) | X | X | X | X | X | X | X | X | X | X |
| 4 | 117-187 | Low Voltage Box Assembly (Optional) | X | X | X | X | X | X | X | X | X | X |
| 5 | 136-359 | T.K.O. Plate | X | X | X | X | X | X | X | X | X | X |
| 6 | 534-191 | Evaporator Coil Shield - Right | X | X | X | X | X | X | X | X | X | X |
| 7 | 508-133 | Back Assembly | X | X | X | X | X | X | X | X | X | X |
| 8 | 538-106 | Fresh Air Damper Assembly | X | X | X | X | X | X | X | X | X | X |
| 9 | 523-104 | Evaporator Drain Pan Assembly | X | X | X | X | X | X | X | X | X | X |
| 10 | 134-154 | Wire Channel | X | X | X | X | X | X | X | X | X | X |
| 11 | 140X277 | Right Evaporator Support | X | X | X | X | X | X | X | X | X | X |
| 12 | 125-032 | Fan Shroud Back | X | X | X | X | X | X | X | X | X | X |
| 13 | 142-055 | Condenser Coil Fill | X | X | X | X | X | X | X | X | X | X |
| 14 | 520-346 | Condenser Partition Assembly | X | X | X | X | X | X | X | X | X | X |
| 15 | 124X043 | Fan Shroud Right Side | X | X | X | X | X | X | X | X | X | X |
| 16 | 124Y043 | Fan Shroud Left Side | X | X | X | X | X | X | X | X | X | X |
| 17 | 140-229 | Condenser Coil Support | 2 | 2 | 2 | 2 | 2 | 2 | 2 | 2 | 2 | 2 |
| 18 | S135-177-* ① | Side Trim - Lower | 2 | 2 | 2 | 2 | 2 | 2 | 2 | 2 | 2 | 2 |
| 19 | 500-392-* ① | Right Side Assembly | X | X | X | X | X | X | X | X | X | X |
| 20 | 140-227 | Subcooling Loop Hold Down | 3 | 3 | 3 | 3 | 3 | 3 | 3 | 3 | 3 | 3 |
| 21 | 123-094 | Condenser Drain Pan Assembly | X | X | X | X | X | X | X | X | X | X |
| 22 | 527-309-X | Lower Base Assembly | X | X | X | X | X | X | X | X | X | X |
| 23 | 102-415 | Pile Seal Offset | 2 | 2 | 2 | 2 | 2 | 2 | 2 | 2 | 2 | 2 |
| 24 | 117-240 | Lower Control Panel Plate | X | X | X | X | X | X | X | X | X | X |
| 25 | 135-189 | Base Shield | X | X | X | X | X | X | X | X | X | X |
| 26 | 140-276 | Lower Roller Support | 2 | 2 | 2 | 2 | 2 | 2 | 2 | 2 | 2 | 2 |
| 27 | See Page 20 | Control Panel Components | X | X | X | X | X | X | X | X | X | X |
| 28 | 133-164 | Control Panel Door - Lower | X | X | X | X | X | X | X | X | X | X |
| 29 | 534-155-6 | Base Trim Assembly | X | X | X | X | X | X | X | X | X | X |
| 30 | 140-230 | Drain Pan Support | X | X | X | X | X | X | X | X | X | X |
| 31 | 552-332-* ① | Condenser Door Assembly | X | X | X | X | X | X | X | X | X | X |
| 32 | 140-280 | Upper Roller Support | 2 | 2 | 2 | 2 | 2 | 2 | 2 | 2 | 2 | 2 |
| 33 | 536-351 | Condenser Blank Off Plate | X | X | X | X | X | X | X | X | X | X |
| 34 | 552-330-* ① | Filter Door Assembly | X | X | X | X | X | X | X | X | X | X |
| 35 | 153-336-* ① | Circuit Breaker Door | X | X | X | X | X | X | X | X | X | X |
| 36 | 117-238 | Lower Control Panel Bottom | X | X | X | X | X | X | X | X | X | X |
| 37 | 132-173 | Disconnect Door Inner | | X | | X | | X | | X | | X |
| 37 | 132-165 | Circuit Breaker Door Inner | X | | X | | X | | X | | X | |
| 38 | 113-281 | Left Filter Bracket | X | X | X | X | X | X | X | X | X | X |
| 39 | 552-331-* ① | Blower Door Assembly | X | X | X | X | X | X | X | X | X | X |

Continued on Page 4

① Exterior cabinet parts are manufactured with various color options. To insure that you receive the proper color, you must include the complete models and serial number of the unit for which parts are being ordered.

This Table references Exploded View on Page 2

CABINET COMPONENTS

| Drawing No. | Part No. | Description | | | | | | | | | | | | | |
|------------------------------|--------------|--------------------------------|------------|---------|------------|-------------|---------|---------|-------------|-------------|---------|---------|------------|-------------|---------|
| | | | QH243-A, B | QH243-C | QH302-A, B | QH302LA, LB | QH302-C | QH302LC | QH362-A, -B | QH362LA, LB | QH362-C | QH362LC | QH422-A, B | QH422LA, LB | QH422-C |
| <i>Continued from Page 3</i> | | | | | | | | | | | | | | | |
| 40 | 113-282 | Right Filter Bracket | X | X | X | X | X | X | X | X | X | X | X | X | X |
| 41 | 140Y277 | Left Evaporator Support | X | X | X | X | X | X | X | X | X | X | X | X | X |
| 43 | 500-391-* ① | Left Side Assembly | X | X | X | X | X | X | X | X | X | X | X | X | X |
| 44 | 113-142 | Expansion Valve Mounting Plate | X | X | X | X | X | X | X | X | X | X | X | X | X |
| 45 | 135-165-* ① | Base Trim Extension | 2 | 2 | 2 | 2 | 2 | 2 | 2 | 2 | 2 | 2 | 2 | 2 | 2 |
| 46 | 112X283 | Center Right Filter Bracket | X | X | X | X | X | X | X | X | X | X | X | X | X |
| 46 | 112Y283 | Center Left Filter Bracket | X | X | X | X | X | X | X | X | X | X | X | X | X |
| 47 | See Page 13 | Pull Disconnect Assembly | | X | | X | | X | | X | | X | | X | |
| 47 | See Page 13 | Circuit Breaker Box Assembly | X | | X | | X | | X | | X | | X | | X |
| 48 | 112-229 | Heat Strip Bracket | X | X | X | X | X | X | X | X | X | X | X | X | X |
| 49 | 112-234 | Mounting Bracket | 2 | 2 | 2 | 2 | 2 | 2 | 2 | 2 | 2 | 2 | 2 | 2 | 2 |
| 50 | S135-178-* ① | Side Trim - Upper | 2 | 2 | 2 | 2 | 2 | 2 | 2 | 2 | 2 | 2 | 2 | 2 | 2 |
| 51 | See Page 24 | Thermostat Mounting Plate | X | X | X | X | X | X | X | X | X | X | X | X | X |
| 52 | 104-1096 | Left Thermostat Support Angle | X | X | X | X | X | X | X | X | X | X | X | X | X |
| 54 | 104-1097 | Front Filter Angle | X | X | X | X | X | X | X | X | X | X | X | X | X |
| 55 | 104-1096 | Right Thermostat Support Angle | X | X | X | X | X | X | X | X | X | X | X | X | X |
| 56 | 102-434 | Sleeve Offset | X | X | X | X | X | X | X | X | X | X | X | X | X |
| 57 | 117-237 | Lower Control Panel Top | X | X | X | X | X | X | X | X | X | X | X | X | X |
| 58 | 534-190 | Evaporator Coil Shield - Left | X | X | X | X | X | X | X | X | X | X | X | X | X |
| 59 | 103-443 | Door Latch Offset | X | X | X | X | X | X | X | X | X | X | X | X | X |
| 60 | 140-282 | Transformer Support | | X | | X | | X | | X | | X | | X | |

① Exterior cabinet parts are manufactured with various color options. To insure that you receive the proper color, you must include the complete models and serial number of the unit for which parts are being ordered.

This Table references Exploded View on Page 2

CABINET COMPONENTS

| Drawing No. | Part No. | Description | QH482-A, -B QH482LA, LB QH602-A, -B | | QH482-C QH482LC QH602-C | |
|-------------|--------------|-------------------------------------|---|--|-------------------------------|--|
| | | | | | | |
| 1 | 506-226 | Top Assembly | X | | X | |
| 2 | 110-044 | Outlet Duct Flange | 2 | | 2 | |
| 3 | See Page 13 | Heater Package Assembly (Optional) | X | | X | |
| 4 | 117-187 | Low Voltage Box Assembly (Optional) | X | | X | |
| 5 | 136-359 | T.K.O. Plate | X | | X | |
| 6 | 534-195 | Evaporator Coil Shield - Right | X | | X | |
| 7 | 508-149 | Back Assembly | X | | X | |
| 8 | 538-106 | Fresh Air Damper Assembly | X | | X | |
| 9 | 523-105 | Evaporator Drain Pan Assembly | X | | X | |
| 10 | 134-154 | Wire Channel | X | | X | |
| 11 | 140X277 | Right Evaporator Support | X | | X | |
| 12 | 125-046 | Fan Shroud Back | X | | X | |
| 13 | 143-066 | Condenser Coil Fill | X | | X | |
| 14 | 520-347 | Condenser Partition Assembly | X | | X | |
| 15 | 125-041 | Fan Shroud Right Side | X | | X | |
| 16 | 125-045 | Fan Shroud Left Side | X | | X | |
| 17 | 140-229 | Condenser Coil Support | 2 | | 2 | |
| 18 | S135-177-* ① | Side Trim - Lower | 2 | | 2 | |
| 19 | 500-392-* ① | Right Side Assembly | X | | X | |
| 20 | 140-227 | Subcooling Loop Hold Down | 3 | | 3 | |
| 21 | 123-099 | Condenser Drain Pan Assembly | X | | X | |
| 22 | 527-294-X | Lower Base Assembly | X | | X | |
| 23 | 102-415 | Pile Seal Offset | 2 | | 2 | |
| 24 | 117-240 | Lower Control Panel Plate | X | | X | |
| 25 | 135-194 | Base Shield | X | | X | |
| 26 | 140-276 | Lower Roller Support | 2 | | 2 | |
| 27 | See Page 8 | Control Panel Components | X | | X | |
| 28 | 133-164 | Control Panel Door - Lower | X | | X | |
| 29 | 534-174-6 | Base Trim Assembly | X | | X | |
| 30 | 140-230 | Drain Pan Support | X | | X | |
| 31 | 552-334-* ① | Condenser Door Assembly | X | | X | |
| 32 | 140-280 | Upper Roller Support | 2 | | 2 | |
| 33 | 536-351 | Condenser Blank Off Plate | X | | X | |
| 34 | 552-335-* ① | Filter Door Assembly | X | | X | |
| 35 | 153-336-* ① | Circuit Breaker Door | X | | X | |
| 36 | 117-238 | Lower Control Panel Bottom | X | | X | |
| 37 | 132-173 | Pull Disconnect Door Inner | | | X | |
| 37 | 132-165 | Circuit Breaker Door Inner | X | | | |
| 38 | 113-281 | Left Filter Bracket | X | | X | |
| 39 | 552-333-* ① | Blower Door Assembly | X | | X | |

Continued on Page 6

① Exterior cabinet parts are manufactured with various color options. To insure that you receive the proper color, you must include the complete models and serial number of the unit for which parts are being ordered.

This Table references Exploded View on Page 2

CABINET COMPONENTS

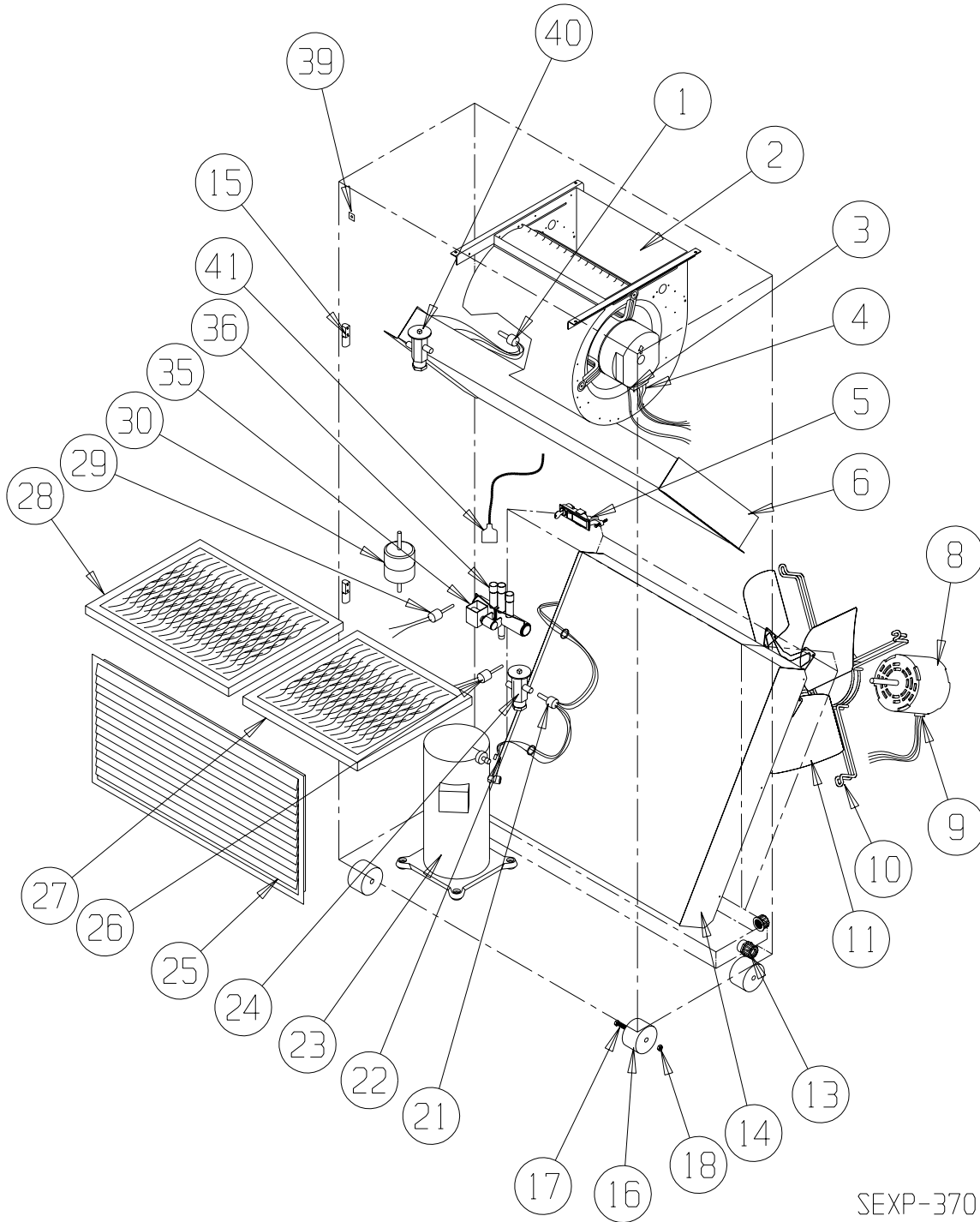
| Drawing No. | Part No. | Description | QH482-A, -B QH482LA, LB QH602-A, -B | | QH482-C QH482LC QH602-C | |
|------------------------------|--------------|--------------------------------|---|--|-------------------------------|---|
| | | | | | | |
| <i>Continued from Page 5</i> | | | | | | |
| 40 | 113-286 | Right Filter Bracket | X | | X | |
| 41 | 140Y277 | Left Evaporator Support | X | | X | |
| 43 | 500-393-* ① | Left Side Assembly | X | | X | |
| 44 | 113-142 | Expansion Valve Mounting Plate | X | | X | |
| 45 | 134-165-* ① | Base Trim Extension | 2 | | 2 | |
| 46 | 112X283 | Center Right Filter Bracket | X | | X | |
| 46 | 112Y283 | Center Left Filter Bracket | X | | X | |
| 47 | See Page 13 | Pull Disconnect Assembly | | | | X |
| 47 | See Page 13 | Circuit Breaker Box Assembly | X | | | |
| 48 | 112-229 | Heat Strip Bracket | X | | X | |
| 49 | 112-234 | Mounting Bracket | 2 | | 2 | |
| 50 | S135-178-* ① | Side Trim - Upper | 2 | | 2 | |
| 51 | See Page 24 | Thermostat Mounting Plate | X | | X | |
| 52 | 104-1096 | Left Thermostat Support Angle | X | | X | |
| 54 | 104-1101 | Front Filter Angle | X | | X | |
| 55 | 104-1096 | Right Thermostat Support Angle | X | | X | |
| 56 | 102-434 | Sleeve Offset | X | | X | |
| 57 | 117-237 | Lower Control Panel Top | X | | X | |
| 58 | 534-190 | Evaporator Coil Shield - Left | X | | X | |
| 59 | 103-443 | Door Latch Offset | X | | X | |
| 60 | 140-282 | Transformer Support | | | | X |

- ① Exterior cabinet parts are manufactured with various color options. To insure that you receive the proper color, you must include the complete models and serial number of the unit for which parts are being ordered.

This Table references Exploded View on Page 2

This page has been left blank intentionally.

FUNCTIONAL COMPONENTS



SEXP-370

This Exploded View is referenced in Tables on pages 9, 10, 11 & 12

FUNCTIONAL COMPONENTS

| Drawing No. | Part No. | Description | QH243-A | QH243-B | QH243-C | QH302-A QH302LA | QH302-B QH302LB | QH302-C QH302LC | QH362-A QH362LA | QH362-B QH362LB | QH362-C QH362LC | QH422-A QH422LA | QH422-B QH422LB | QH422-C QH422LC |
|-------------|--------------|---------------------------------|---------|---------|---------|--------------------|--------------------|--------------------|--------------------|--------------------|--------------------|--------------------|--------------------|--------------------|
| 1 | 5625-015 | Distributor Cooling | X | X | X | X | X | X | | | | | | |
| 1 | 5625-020 | Distributor Cooling | | | | | | | X | X | X | X | X | X |
| 2 | S900-225-001 | Blower Assembly | X | X | X | | | | | | | | | |
| 2 | S900-225-002 | Blower Assembly | | | | X | X | X | | | | | | |
| 2 | S900-225-004 | Blower Assembly | | | | | | | X | X | X | X | X | X |
| 3 | 3000-1145 | Wire Harness High Voltage | | | X | | | X | | | X | | | X |
| 3 | 3000-1046 | Wire Harness High Voltage | X | X | | X | X | X | X | X | X | X | X | X |
| 4 | 3000-1042 | Wire Harness Low Voltage | X | X | X | X | X | X | X | X | X | X | X | X |
| 5 | 1171-049 | Keylatch/Circuit Breaker Door | X | X | X | X | X | X | X | X | X | X | X | X |
| 6 | 5060-093BX | Evaporator Coil | X | X | X | | | | | | | | | |
| 6 | 5060-107BX | Evaporator Coil | | | | X | X | X | | | | | | |
| 6 | 5060-090BX | Evaporator Coil | | | | | | | X | X | X | X | X | X |
| 8 | 8103-038 | Motor | | | X | | | X | | | X | | | X |
| 8 | 8103-037 | Motor | X | X | | X | X | X | X | X | X | X | X | X |
| 9 | 3000-1141 | Wire Harness | X | X | X | X | X | X | X | X | X | X | X | X |
| 10 | 8200-001 | Motor Mount | X | X | X | X | X | X | X | X | X | X | X | X |
| 11 | 5151-050 | Fan Blade | X | X | X | X | X | X | X | X | X | X | X | X |
| 13 | 6094-003 | Drain Fitting | 1 | 1 | 1 | 1 | 1 | 1 | 1 | 1 | 1 | 1 | 1 | 1 |
| 14 | 5051-095BX | Condenser Coil | X | X | X | X | X | X | | | | | | |
| 14 | 5051-096BX | Condenser Coil | | | | | | | X | X | X | X | X | X |
| 15 | 5400-005 | Hinge | 2 | 2 | 2 | 2 | 2 | 2 | 2 | 2 | 2 | 2 | 2 | 2 |
| 16 | 1171-035 | Wheel | 4 | 4 | 4 | 4 | 4 | 4 | 4 | 4 | 4 | 4 | 4 | 4 |
| 17 | 1012-129 | Bolt - Shoulder | 4 | 4 | 4 | 4 | 4 | 4 | 4 | 4 | 4 | 4 | 4 | 4 |
| 18 | 1012-224 | Nut - Locking | 4 | 4 | 4 | 4 | 4 | 4 | 4 | 4 | 4 | 4 | 4 | 4 |
| 21 | 5625-008 | Distributor - Heating | X | X | X | X | X | X | | | | | | |
| 21 | 5625-010 | Distributor - Heating | | | | | | | X | X | X | X | X | X |
| 22 | 8620-095 | Defrost Sensor | X | X | X | X | X | X | X | X | X | X | X | X |
| 23 | 8000-259 | Compressor | X | | | | | | | | | | | |
| 23 | 8000-201 | Compressor | | X | | | | | | | | | | |
| 23 | 8000-202 | Compressor | | | X | | | | | | | | | |
| 23 | 8000-172 | Compressor | | | | X | | | | | | | | |
| 23 | 8000-203 | Compressor | | | | | X | | | | | | | |
| 23 | 8000-204 | Compressor | | | | | | X | | | | | | |
| 23 | 8000-175 | Compressor | | | | | | | X | | | | | |
| 23 | 8000-163 | Compressor | | | | | | | | X | | | | |
| 23 | 8000-164 | Compressor | | | | | | | | | X | | | |
| 23 | 8000-177 | Compressor | | | | | | | | | | X | | |
| 23 | 8000-205 | Compressor | | | | | | | | | | | X | |
| 23 | 8000-206 | Compressor | | | | | | | | | | | | X |
| 24 | 5651-137 | TXV Heating | X | X | X | | | | | | | | | |
| 24 | 5651-138 | TXV Heating | | | | X | X | X | | | | | | |
| 24 | 5651-102 | TXV Heating | | | | | | | X | X | X | X | X | X |
| 25 | 7051-034 | Return Air Grille | X | X | X | X | X | X | X | X | X | X | X | X |
| 26 | 1804-0106 | High Pressure Control | X | X | X | X | X | X | X | X | X | X | X | X |
| 27 | 7004-009 | Air Filter | X | X | X | X | X | X | X | X | X | X | X | X |
| 27 | 7004-032 | Filter 2" Fiberglass (Optional) | X | X | X | X | X | X | X | X | X | X | X | X |
| 27 | 7004-034 | Filter 2" Pleated (Optional) | X | X | X | X | X | X | X | X | X | X | X | X |
| 28 | 7004-010 | Air Filter | X | X | X | X | X | X | X | X | X | X | X | X |
| 28 | 7004-033 | Filter 2" Fiberglass (Optional) | X | X | X | X | X | X | X | X | X | X | X | X |
| 28 | 7004-035 | Filter 2" Pleated (Optional) | X | X | X | X | X | X | X | X | X | X | X | X |

Continued on Page 10

This Table references Exploded View on Page 8

FUNCTIONAL COMPONENTS

| Drawing No. | Part No. | Description | QH243-A | QH243-B | QH243-C | QH302-A | QH302LA | QH302-B | QH302LB | QH302-C | QH302LC | QH362-A | QH362LA | QH362-B | QH362LB | QH362-C | QH362LC | QH422-A | QH422LA | QH422-B | QH422LB | QH422-C | QH422LC | |
|-------------|----------|---|-----------------------|---------|---------|---------|---------|---------|---------|---------|---------|---------|---------|---------|---------|---------|---------|---------|---------|---------|---------|---------|---------|----|
| | | | Continued from Page 9 | | | | | | | | | | | | | | | | | | | | | |
| 29 | CMA-26 | Low Pressure Control | X | X | X | X | X | X | X | X | X | X | X | X | X | X | X | X | X | X | X | X | X | X |
| 30 | 5201-009 | Filter / Drier | X | X | X | X | X | X | X | X | X | X | X | X | X | X | X | X | X | X | X | X | X | X |
| 35 | 5650-038 | Reversing Valve with Solenoid | X | X | X | | | | | | | | | | | | | | | | | | | |
| 35 | 5650-039 | Reversing Valve with Solenoid | | | | X | | X | X | | | | | | | | | | | | | | | |
| 35 | 5650-040 | Reversing Valve with Solenoid | | | | | | | | | | X | | X | | X | | | | | | | | |
| 35 | 5650-041 | Reversing Valve with Solenoid | | | | | | | | | | | | | | | | X | | X | | | | X |
| 36 | 5650-042 | Rev. Valve Solenoid, Red Casing (Ranco) | X | X | X | X | X | X | X | X | X | X | X | X | X | X | X | X | X | X | X | X | X | X |
| 36 | 5650-043 | Rev. Valve Solenoid, Black Casing (Wilspec) | X | X | X | X | X | X | X | X | X | X | X | X | X | X | X | X | X | X | X | X | X | X |
| 36 | 5650-046 | Rev. Valve Solenoid, Black Casing (San Hua) | X | X | X | X | X | X | X | X | X | X | X | X | X | X | X | X | X | X | X | X | X | X |
| 39 | 1012-315 | "U" Clip Fastener | 10 | 10 | 10 | 10 | 10 | 10 | 10 | 10 | 10 | 10 | 10 | 10 | 10 | 10 | 10 | 10 | 10 | 10 | 10 | 10 | 10 | 10 |
| 40 | 5651-137 | TXV Cooling | X | X | X | | | | | | | | | | | | | | | | | | | |
| 40 | 5651-138 | TXV Cooling | | | | X | | X | X | | | | | | | | | | | | | | | |
| 40 | 5651-102 | TXV Cooling | | | | | | | | | | X | | X | | X | | X | | X | | X | | X |
| 41 | 5650-037 | Molded Plug 36" Lead | X | X | X | X | X | X | X | X | X | X | X | X | X | X | X | X | X | X | X | X | X | X |
| NS | CMA-6 | Low Ambient Control | X | X | X | X | X | X | X | X | X | X | X | X | X | X | X | X | X | X | X | X | X | X |

| Drawing No. | Part No. | Description | QH243-A | QH243-B | QH243-C | QH302-A | QH302-B | QH302-C | QH362-A | QH362-B | QH362-C | QH422-A | QH422-B | QH422-C |
|-------------|----------|----------------|---------|----------|----------------|---------|---------|---------|---------|---------|---------|---------|---------|---------|
| | | | NS | 4100-105 | Wiring Diagram | X | | | X | | | X | | |
| NS | 4100-207 | Wiring Diagram | | X | | | X | | | X | | | X | |
| NS | 4100-307 | Wiring Diagram | | | X | | | X | | | X | | | X |

| Drawing No. | Part No. | Description | QH302LA | QH302LB | QH302LC | QH362LA | QH362LB | QH362LC | QH422LA | QH422LB | QH422LC |
|-------------|----------|----------------|---------|----------|----------------|---------|---------|---------|---------|---------|---------|
| | | | NS | 4100-106 | Wiring Diagram | X | | | X | | |
| NS | 4100-208 | Wiring Diagram | | X | | | X | | | X | |
| NS | 4100-308 | Wiring Diagram | | | X | | | X | | | X |

These Tables reference Exploded View on Page 8

FUNCTIONAL COMPONENTS

| Drawing No. | Part No. | Description | QH482-A QH482LA | QH482-B QH482LB | QH482-C QH482LC | QH602-A | QH602-B | QH602-C |
|-------------|--------------|---|--------------------|--------------------|--------------------|---------|---------|---------|
| 1 | 5625-022 | Cooling Distributor | X | X | X | | | |
| 1 | 5625-018 | Cooling Distributor | | | | X | X | X |
| 2 | S900-225-005 | Blower Assembly | X | X | X | | | |
| 2 | S900-254-001 | Blower Assembly | | | | X | X | X |
| 3 | 3000-1145 | Wire Harness High Voltage | | | X | | | X |
| 3 | 3000-1046 | Wire Harness High Voltage | X | X | | X | X | |
| 4 | 3000-1042 | Wire Harness Low Voltage | X | X | X | X | X | X |
| 5 | 1171-049 | Keylatch/Circuit Breaker Door | X | X | X | X | X | X |
| 6 | 5060-095BX | Evaporator Coil | X | X | X | | | |
| 6 | 5060-108BX | Evaporator Coil | | | | X | X | X |
| 8 | 8103-038 | Motor | | | X | | | X |
| 8 | 8103-037 | Motor | X | X | | X | X | |
| 9 | 3000-1141 | Wire Harness | X | X | X | X | X | X |
| 10 | 8200-001 | Motor Mount | X | X | X | X | X | X |
| 11 | 5151-050 | Fan Blade | X | X | X | X | X | X |
| 13 | 6094-003 | Drain Fitting | 1 | 1 | 1 | 1 | 1 | 1 |
| 14 | 5051-104BX | Condenser Coil | X | X | X | X | X | X |
| 15 | 5400-005 | Hinge | 2 | 2 | 2 | 2 | 2 | 2 |
| 16 | 1171-035 | Wheel | 4 | 4 | 4 | 4 | 4 | 4 |
| 17 | 1012-129 | Bolt - Shoulder | 4 | 4 | 4 | 4 | 4 | 4 |
| 18 | 1012-224 | Nut - Locking | 4 | 4 | 4 | 4 | 4 | 4 |
| 21 | 5625-007 | Distributor - Heating | X | X | X | X | X | X |
| 22 | 8620-095 | Defrost Sensor | X | X | X | X | X | X |
| 23 | 8000-150 | Compressor | X | | | | | |
| 23 | 8000-162 | Compressor | | X | | | | |
| 23 | 8000-248 | Compressor | | | X | | | |
| 23 | 8000-218 | Compressor | | | | X | | |
| 23 | 8000-221 | Compressor | | | | | X | |
| 23 | 8000-222 | Compressor | | | | | | X |
| 24 | 5651-103 | TXV Heating | X | X | X | | | |
| 24 | 5651-163 | TXV Heating | | | | X | X | X |
| 25 | 7051-039 | Return Air Grille | X | X | X | X | X | X |
| 26 | 1804-0106 | High Pressure Control | X | X | X | X | X | X |
| 27 | 7004-009 | Air Filter | X | X | X | X | X | X |
| 27 | 7004-032 | Filter 2" Fiberglass (Optional) | X | X | X | X | X | X |
| 27 | 7004-034 | Filter 2" Pleated (Optional) | X | X | X | X | X | X |
| 28 | 7004-011 | Air Filter | X | X | X | X | X | X |
| 28 | 7004-036 | Filter 2" Fiberglass (Optional) | X | X | X | X | X | X |
| 28 | 7004-025 | Filter 2" Pleated (Optional) | X | X | X | X | X | X |
| 29 | 1804-0107 | Low Pressure Control 15 PSI | X | X | X | X | X | X |
| 30 | 5201-009 | Filter / Drier | X | X | X | X | X | X |
| 35 | 5650-041 | Reversing Valve | X | X | X | X | X | X |
| 36 | 5650-042 | Rev. Valve Solenoid, Red Casing (Ranco) | X | X | X | X | X | X |
| 36 | 5650-043 | Rev. Valve Solenoid, Black Casing (Wilspec) | X | X | X | X | X | X |
| 36 | 5650-046 | Rev. Valve Solenoid, Black Casing (San Hua) | X | X | X | X | X | X |
| 39 | 1012-315 | "U" Clip Fastener | 10 | 10 | 10 | 10 | 10 | 10 |
| 40 | 5651-103 | TXV Cooling | X | X | X | | | |
| 41 | 5650-037 | Molded Plug 36" Lead | X | X | X | X | X | X |
| NS | CMA-6 | Low Ambient Control | X | X | X | X | X | X |

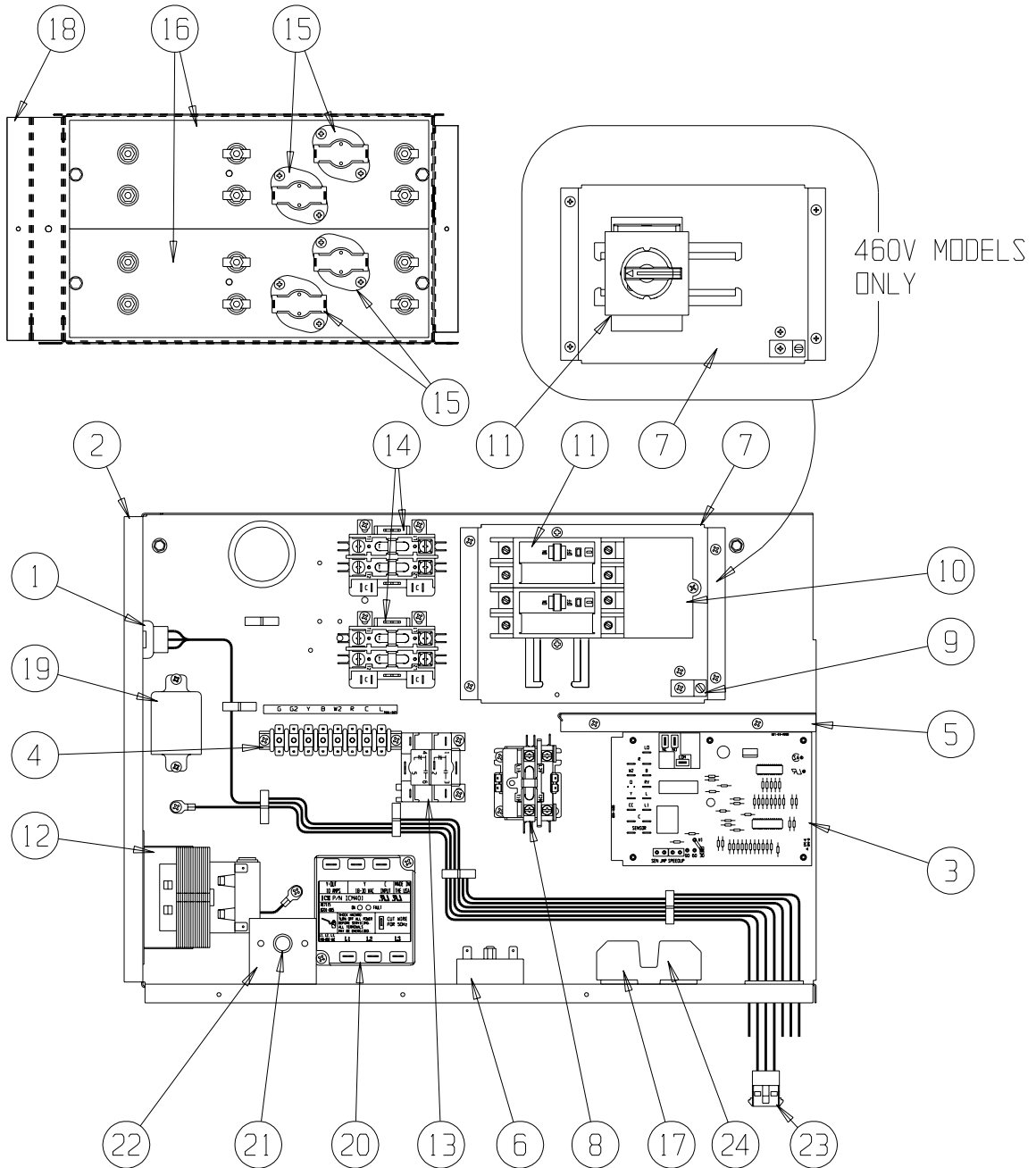
These Tables reference Exploded View on Page 8

FUNCTIONAL COMPONENTS

| Drawing No. | Part No. | Description | QH482-A | QH482-B | QH482-C | QH482LA | QH482LB | QH482LC | QH602-A | QH602-B | QH602-C |
|-------------|----------|----------------|---------|---------|---------|---------|---------|---------|---------|---------|---------|
| NS | 4100-105 | Wiring Diagram | X | | | | | | X | | |
| NS | 4100-207 | Wiring Diagram | | X | | | | | | X | |
| NS | 4100-307 | Wiring Diagram | | | X | | | | | | X |
| NS | 4100-106 | Wiring Diagram | | | | X | | | | | |
| NS | 4100-208 | Wiring Diagram | | | | | X | | | | |
| NS | 4100-308 | Wiring Diagram | | | | | | X | | | |

This Table references Exploded View on Page 8

UPPER CONTROL PANEL COMPONENTS



SEXP-373 A

This Exploded View is referenced in Tables on pages 14, 15, 16, 17, 18 & 19

UPPER CONTROL PANEL COMPONENTS

| Drawing No. | Part No. | Description | QH243-A02 | QH302-A02 | QH362-A02 | QH422-A02 | QH482-A02 | QH602-A02 | QH243-A05 | QH302-A05 | QH362-A05 | QH422-A05 | QH482-A05 | QH302LA05 | QH362LA05 | QH422LA05 | QH482LA10 | QH302LA10 | QH362LA10 | QH422LA10 | QH482LA10 | QH602-A10 | QH602-A15 | QH422-A15 | QH482-A15 | QH302LA10 | QH362LA10 | QH422LA10 | QH482LA10 | QH602-A15 | | | | |
|-------------|-----------|----------------------------------|-----------|-----------|-----------|-----------|-----------|-----------|-----------|-----------|-----------|-----------|-----------|-----------|-----------|-----------|-----------|-----------|-----------|-----------|-----------|-----------|-----------|-----------|-----------|-----------|-----------|-----------|-----------|-----------|---|--|--|--|
| 1 | 3000-1149 | Wire Set P2 | X | X | X | X | X | X | X | X | X | X | X | X | X | X | X | X | X | X | X | X | X | X | X | X | X | X | X | X | X | | | |
| 2 | 117-241 | Control Panel | X | X | X | X | X | X | X | X | X | X | X | X | X | X | X | X | X | X | X | X | X | X | X | X | X | X | X | X | X | | | |
| 3 | 8201-102 | Heat Pump Control | X | X | X | X | X | X | X | X | X | X | X | X | X | X | X | X | X | X | X | X | X | X | X | X | X | X | X | X | X | | | |
| 4 | 8607-022 | Terminal Block | X | X | X | X | X | X | X | X | X | X | X | X | X | X | X | X | X | X | X | X | X | X | X | X | X | X | X | X | X | | | |
| 5 | 117-242 | Box Partition | X | X | X | X | X | X | X | X | X | X | X | X | X | X | X | X | X | X | X | X | X | X | X | X | X | X | X | X | X | | | |
| 6 | 8201-078 | Low Pressure TDR | X | X | X | X | X | X | X | X | X | X | X | X | X | X | X | X | X | X | X | X | X | X | X | X | X | X | X | X | X | | | |
| 7 | 126-267 | Circuit Breaker Base | X | X | X | X | X | X | X | X | X | X | X | X | X | X | X | X | X | X | X | X | X | X | X | X | X | X | X | X | X | | | |
| 8 | 8401-007 | Contactor | X | X | X | X | X | X | X | X | X | X | X | X | X | X | X | X | X | X | X | X | X | X | X | X | X | X | X | X | X | | | |
| 8 | 8401-016 | Contactor | X | X | X | X | X | X | X | X | X | X | X | X | X | X | X | X | X | X | X | X | X | X | X | X | X | X | X | X | X | | | |
| 9 | 8611-006 | Ground Lug | X | X | X | X | X | X | X | X | X | X | X | X | X | X | X | X | X | X | X | X | X | X | X | X | X | X | X | X | X | | | |
| 10 | 8615-047 | Jumper Bar Base | | | | | | | | | | | | | | | | | | | | | | | | | | | | | | | | |
| 11 | 8615-036 | Circuit Breaker 2 Pole 25A Ckt B | | | | | | X | | | | | | | | | | | | | | | | | | | | | | | | | | |
| 11 | 8615-037 | Circuit Breaker 2 Pole 30A Ckt A | X | | | | | | | | | | | | | | | | | | | | | | | | | | | | | | | |
| 11 | 8615-038 | Circuit Breaker 2 Pole 35A Ckt A | | | | | | | | | | | | | | | | | | | | | | | | | | | | | | | | |
| 11 | 8615-055 | Circuit Breaker 2 Pole 40A Ckt A | | | | | | | | | | | | | | | | | | | | | | | | | | | | | | | | |
| 11 | 8615-039 | Circuit Breaker 2 Pole 45A Ckt A | | | | | | | | | | | | | | | | | | | | | | | | | | | | | | | | |
| 11 | 8615-040 | Circuit Breaker 2 Pole 50A Ckt A | | | | | | | | | | | | | | | | | | | | | | | | | | | | | | | | |
| 11 | 8615-040 | Circuit Breaker 2 Pole 50A Ckt B | | | | | | | | | | | | | | | | | | | | | | | | | | | | | | | | |
| 11 | 8615-041 | Circuit Breaker 2 Pole 60A Ckt A | | | | | | | | | | | | | | | | | | | | | | | | | | | | | | | | |
| 12 | 8407-048 | Transformer | X | | | | | | | | | | | | | | | | | | | | | | | | | | | | | | | |
| 14 | 8401-006 | Contactor 2 Pole 20A | | | | | | | | | | | | | | | | | | | | | | | | | | | | | | | | |
| 15 | 8402-100 | Limits | | | | | | | | | | | | | | | | | | | | | | | | | | | | | | | | |
| 15 | 8402-131 | Limits | | | | | | | | | | | | | | | | | | | | | | | | | | | | | | | | |

Continued on Page 15

This Table references Exploded View on Page 13

UPPER CONTROL PANEL COMPONENTS

| Drawing No. | Part No. | Description | QH243-A02 | QH302-A02 | QH362-A02 | QH422-A02 | QH482-A02 | QH602-A02 | QH243-A05 | QH302-A05 | QH362-A05 | QH422-A05 | QH482-A05 | QH602-A05 | QH243-A10 | QH302-A10 | QH362-A10 | QH422-A10 | QH482-A10 | QH602-A10 | QH243-A15 | QH302-A15 | QH362-A15 | QH422-A15 | QH482-A15 | QH602-A15 | |
|-------------|-----------|--------------------|-----------|-----------|-----------|-----------|-----------|-----------|-----------|-----------|-----------|-----------|-----------|-----------|-----------|-----------|-----------|-----------|-----------|-----------|-----------|-----------|-----------|-----------|-----------|-----------|---|
| 16 | 8604-103 | Heat Strip 5KW | | | | | | | X | X | X | X | X | X | X | X | X | X | X | X | X | X | X | X | X | X | X |
| 16 | 8604-104 | Heat Strip 10 KW | | | | | | | X | X | X | X | X | X | X | X | X | X | X | X | X | X | X | X | X | X | X |
| 18 | 116-191 | Heat Strip Wrapper | | | | | | | X | X | X | X | X | X | X | X | X | X | X | X | X | X | X | X | X | X | X |
| 19 | 8201-048 | Relay | | | | | | | X | X | X | X | X | X | X | X | X | X | X | X | X | X | X | X | X | X | X |
| 21 | 8611-094 | Indicator Light | X | | | | | | X | X | X | X | X | X | X | X | X | X | X | X | X | X | X | X | X | X | X |
| 22 | 112-225 | Bracket | X | | | | | | X | X | X | X | X | X | X | X | X | X | X | X | X | X | X | X | X | X | X |
| 23 | 3000-1148 | Wire Set | X | | | | | | X | X | X | X | X | X | X | X | X | X | X | X | X | X | X | X | X | X | X |
| NS | 8201-015 | Staging Relay SR | | | | | | | | | | | | | | | | | | | | | | | | | |
| NS | 132-145 | Heat Strip Cover | | | | | | | X | X | X | X | X | X | X | X | X | X | X | X | X | X | X | X | X | X | X |
| NS | 4101-100 | Wiring Diagram | X | | | | | | | | | | | | | | | | | | | | | | | | |
| NS | 4101-101 | Wiring Diagram | | | | | | | X | X | X | X | X | X | X | X | X | X | X | X | X | X | X | X | X | X | X |
| NS | 4101-102 | Wiring Diagram | | | | | | | | | | | | | | | | | | | | | | | | | |
| NS | 4101-103 | Wiring Diagram | | | | | | | | | | | | | | | | | | | | | | | | | |
| NS | 4101-104 | Wiring Diagram | | | | | | | | | | | | | | | | | | | | | | | | | |
| NS | 4101-105 | Wiring Diagram | | | | | | | | | | | | | | | | | | | | | | | | | |
| NS | 4101-106 | Wiring Diagram | | | | | | | | | | | | | | | | | | | | | | | | | |

Continued from Page 14

NS = Not Shown

This Table references Exploded View on Page 13

UPPER CONTROL PANEL COMPONENTS

| Drawing No. | Part No. | Description | QH243-B0Z | QH302-B0Z | QH362-B0Z | QH422-B0Z | QH482-B0Z | QH602-B0Z | QH243-B06 | QH302-B06 | QH362-B06 | QH422-B06 | QH482-B06 | QH602-B06 | QH243-B09 | QH302-B09 | QH362-B09 | QH422-B09 | QH482-B09 | QH602-B09 | QH243-B15 | QH302-B15 | QH362-B15 | QH422-B15 | QH482-B15 | QH602-B15 | |
|-------------|-----------|----------------------------|-----------|-----------|-----------|-----------|-----------|-----------|-----------|-----------|-----------|-----------|-----------|-----------|-----------|-----------|-----------|-----------|-----------|-----------|-----------|-----------|-----------|-----------|-----------|-----------|---|
| 1 | 3000-1049 | Wire Set P2 | X | X | X | X | X | X | X | X | X | X | X | X | X | X | X | X | X | X | X | X | X | X | X | X | X |
| 2 | 117-241 | Control Panel | X | X | X | X | X | X | X | X | X | X | X | X | X | X | X | X | X | X | X | X | X | X | X | X | X |
| 3 | 8201-102 | Heat Pump Control | X | X | X | X | X | X | X | X | X | X | X | X | X | X | X | X | X | X | X | X | X | X | X | X | X |
| 4 | 8607-022 | Terminal Block | X | X | X | X | X | X | X | X | X | X | X | X | X | X | X | X | X | X | X | X | X | X | X | X | X |
| 5 | 117-242 | Box Partition | X | X | X | X | X | X | X | X | X | X | X | X | X | X | X | X | X | X | X | X | X | X | X | X | X |
| 6 | 8201-078 | Low Pressure TDR | X | X | X | X | X | X | X | X | X | X | X | X | X | X | X | X | X | X | X | X | X | X | X | X | X |
| 7 | 126-269 | Circuit Breaker Base | X | X | X | X | X | X | X | X | X | X | X | X | X | X | X | X | X | X | X | X | X | X | X | X | X |
| 8 | 8401-002 | Contactors | X | X | X | X | X | X | X | X | X | X | X | X | X | X | X | X | X | X | X | X | X | X | X | X | X |
| 9 | 8611-006 | Ground Lug | X | X | X | X | X | X | X | X | X | X | X | X | X | X | X | X | X | X | X | X | X | X | X | X | X |
| 11 | 8615-054 | Circuit Breaker 3 Pole 20A | X | X | X | X | X | X | X | X | X | X | X | X | X | X | X | X | X | X | X | X | X | X | X | X | X |
| 11 | 8615-051 | Circuit Breaker 3 Pole 25A | | | | | | | | | | | | | | | | | | | | | | | | | |
| 11 | 8615-052 | Circuit Breaker 3 Pole 30A | | | | | | | | | | | | | | | | | | | | | | | | | |
| 11 | 8615-042 | Circuit Breaker 3 Pole 35A | | | | | | | | | | | | | | | | | | | | | | | | | |
| 11 | 8615-043 | Circuit Breaker 3 Pole 40A | | | | | | | | | | | | | | | | | | | | | | | | | |
| 11 | 8615-044 | Circuit Breaker 3 Pole 45A | | | | | | | | | | | | | | | | | | | | | | | | | |
| 11 | 8615-045 | Circuit Breaker 3 Pole 50A | | | | | | | | | | | | | | | | | | | | | | | | | |
| 11 | 8615-046 | Circuit Breaker 3 Pole 60A | | | | | | | | | | | | | | | | | | | | | | | | | |
| 12 | 8407-048 | Transformer | X | X | X | X | X | X | X | X | X | X | X | X | X | X | X | X | X | X | X | X | X | X | X | X | X |
| 14 | 8401-006 | Contactors 2 Pole 20A | | | | | | | | | | | | | | | | | | | | | | | | | |
| 15 | 8402-100 | Limits | | | | | | | | | | | | | | | | | | | | | | | | | |
| 15 | 8402-131 | Limits | | | | | | | | | | | | | | | | | | | | | | | | | |

Continued on Page 17

This Table references Exploded View on Page 13

UPPER CONTROL PANEL COMPONENTS

| Drawing No. | Part No. | Description | QH243-B0Z | QH302-B0Z | QH362-B0Z | QH422-B0Z | QH482-B0Z | QH243-B06 | QH302-B09 | QH362-B09 | QH422-B09 | QH482-B09 | QH302LB06 | QH362LB06 | QH422LB06 | QH482LB06 | QH302LB09 | QH362LB09 | QH422LB09 | QH482LB09 | QH602-B09 | QH602-B15 |
|-------------|-----------|--------------------|-----------|-----------|-----------|-----------|-----------|-----------|-----------|-----------|-----------|-----------|-----------|-----------|-----------|-----------|-----------|-----------|-----------|-----------|-----------|-----------|
| 16 | 8604-105 | Heat Strip 6KW | | | | | | X | | | | | X | | | | | | | | X | |
| 16 | 8604-106 | Heat Strip 9KW | | | | | | | X | | | | X | | | | | | | | X | |
| 18 | 116-191 | Heat Strip Wrapper | | | | | | X | | | | | X | | | | | | | | X | |
| 19 | 8201-048 | Relay | | | | | | X | | | | | X | | | | | | | | X | |
| 20 | 8201-085 | Phase Monitor | X | | | | | X | | | | | X | | | | | | | | X | |
| 21 | 8611-094 | Indicator Light | X | X | | | | X | | | | | X | | | | | | | | X | |
| 22 | 112-225 | Bracket | X | X | X | | | X | | | | | X | | | | | | | | X | |
| 23 | 3000-1148 | Wire Set PL3 | X | X | X | | | X | | | | | X | | | | | | | | X | |
| NS | 8201-015 | Staging Relay SR | | | | | | | | | | | X | | | | | | | | X | |
| NS | 132-145 | Heat Strip Cover | | | | | | X | | | | | X | | | | | | | | X | |
| NS | 4101-200 | Wiring Diagram | X | X | X | | | X | | | | | X | | | | | | | | X | |
| NS | 4101-201 | Wiring Diagram | | | | | | X | | | | | X | | | | | | | | X | |
| NS | 4101-202 | Wiring Diagram | | | | | | | | | | | | | | | | | | | | |
| NS | 4101-203 | Wiring Diagram | | | | | | | | | | | | | | | | | | | | |
| NS | 4101-204 | Wiring Diagram | | | | | | | | | | | | | | | | | | | | |

Continued from Page 16

NS = Not Shown

This Table references Exploded View on Page 13

UPPER CONTROL PANEL COMPONENTS

| Drawing No. | Part No. | Description | QH243-C02 | QH302-C02 | QH362-C02 | QH422-C02 | QH482-C02 | QH602-C02 | QH243-C06 | QH302-C06 | QH362-C06 | QH422-C06 | QH482-C06 | QH302L06 | QH362L06 | QH422L06 | QH482L06 | QH302L09 | QH362L09 | QH422L09 | QH482L09 | QH302-C09 | QH362-C09 | QH422-C09 | QH482-C09 | QH302-C12 | QH362-C15 | QH422-C15 | QH482-C15 | QH302L06 | QH362L06 | QH422L06 | QH482L06 | QH302L09 | QH362L09 | QH422L09 | QH482L09 | QH302-C09 | QH362-C09 | QH422-C09 | QH482-C09 | | | | | | | | | | | | | |
|-------------|-----------|----------------------|-----------|-----------|-----------|-----------|-----------|-----------|-----------|-----------|-----------|-----------|-----------|----------|----------|----------|----------|----------|----------|----------|----------|-----------|-----------|-----------|-----------|-----------|-----------|-----------|-----------|----------|----------|----------|----------|----------|----------|----------|----------|-----------|-----------|-----------|-----------|---|---|---|---|---|---|---|---|---|---|--|--|--|
| 1 | 3000-1049 | Wire Set P2 | X | X | X | X | X | X | X | X | X | X | X | X | X | X | X | X | X | X | X | X | X | X | X | X | X | X | X | X | X | X | X | X | X | X | X | X | X | X | X | X | X | X | X | | | | | | | | | |
| 2 | 117-241 | Control Panel | X | X | X | X | X | X | X | X | X | X | X | X | X | X | X | X | X | X | X | X | X | X | X | X | X | X | X | X | X | X | X | X | X | X | X | X | X | X | X | X | X | X | X | X | X | | | | | | | |
| 3 | 8201-102 | Heat Pump Control | X | X | X | X | X | X | X | X | X | X | X | X | X | X | X | X | X | X | X | X | X | X | X | X | X | X | X | X | X | X | X | X | X | X | X | X | X | X | X | X | X | X | X | X | X | X | | | | | | |
| 4 | 8607-022 | Terminal Block | X | X | X | X | X | X | X | X | X | X | X | X | X | X | X | X | X | X | X | X | X | X | X | X | X | X | X | X | X | X | X | X | X | X | X | X | X | X | X | X | X | X | X | X | X | X | | | | | | |
| 5 | 117-242 | Box Partition | X | X | X | X | X | X | X | X | X | X | X | X | X | X | X | X | X | X | X | X | X | X | X | X | X | X | X | X | X | X | X | X | X | X | X | X | X | X | X | X | X | X | X | X | X | X | | | | | | |
| 6 | 8201-078 | Low Pressure TDR | X | X | X | X | X | X | X | X | X | X | X | X | X | X | X | X | X | X | X | X | X | X | X | X | X | X | X | X | X | X | X | X | X | X | X | X | X | X | X | X | X | X | X | X | X | X | | | | | | |
| 7 | 126-323 | Circuit Breaker Base | X | X | X | X | X | X | X | X | X | X | X | X | X | X | X | X | X | X | X | X | X | X | X | X | X | X | X | X | X | X | X | X | X | X | X | X | X | X | X | X | X | X | X | X | X | X | X | | | | | |
| 8 | 8401-002 | Contact | X | X | X | X | X | X | X | X | X | X | X | X | X | X | X | X | X | X | X | X | X | X | X | X | X | X | X | X | X | X | X | X | X | X | X | X | X | X | X | X | X | X | X | X | X | X | X | | | | | |
| 9 | 8611-006 | Ground Lug | X | X | X | X | X | X | X | X | X | X | X | X | X | X | X | X | X | X | X | X | X | X | X | X | X | X | X | X | X | X | X | X | X | X | X | X | X | X | X | X | X | X | X | X | X | X | X | | | | | |
| 11 | 8615-068 | Disconnect | X | X | X | X | X | X | X | X | X | X | X | X | X | X | X | X | X | X | X | X | X | X | X | X | X | X | X | X | X | X | X | X | X | X | X | X | X | X | X | X | X | X | X | X | X | X | X | X | | | | |
| 12 | 8407-048 | Transformer | X | X | X | X | X | X | X | X | X | X | X | X | X | X | X | X | X | X | X | X | X | X | X | X | X | X | X | X | X | X | X | X | X | X | X | X | X | X | X | X | X | X | X | X | X | X | X | X | X | | | |
| 13 | 8201-009 | Relay OMR | X | X | X | X | X | X | X | X | X | X | X | X | X | X | X | X | X | X | X | X | X | X | X | X | X | X | X | X | X | X | X | X | X | X | X | X | X | X | X | X | X | X | X | X | X | X | X | X | X | | | |
| 14 | 8401-002 | Contact 32 Pole 50A | X | X | X | X | X | X | X | X | X | X | X | X | X | X | X | X | X | X | X | X | X | X | X | X | X | X | X | X | X | X | X | X | X | X | X | X | X | X | X | X | X | X | X | X | X | X | X | X | X | | | |
| 15 | 8402-100 | Limits | | | | | | | | | | | | | | | | | | | | | | | | | | | | | | | | | | | | | | | | | | | | | | | | | | | | |
| 15 | 8402-131 | Limits | | | | | | | | | | | | | | | | | | | | | | | | | | | | | | | | | | | | | | | | | | | | | | | | | | | | |

Continued on Page 19

This Table references Exploded View on Page 13

UPPER CONTROL PANEL COMPONENTS

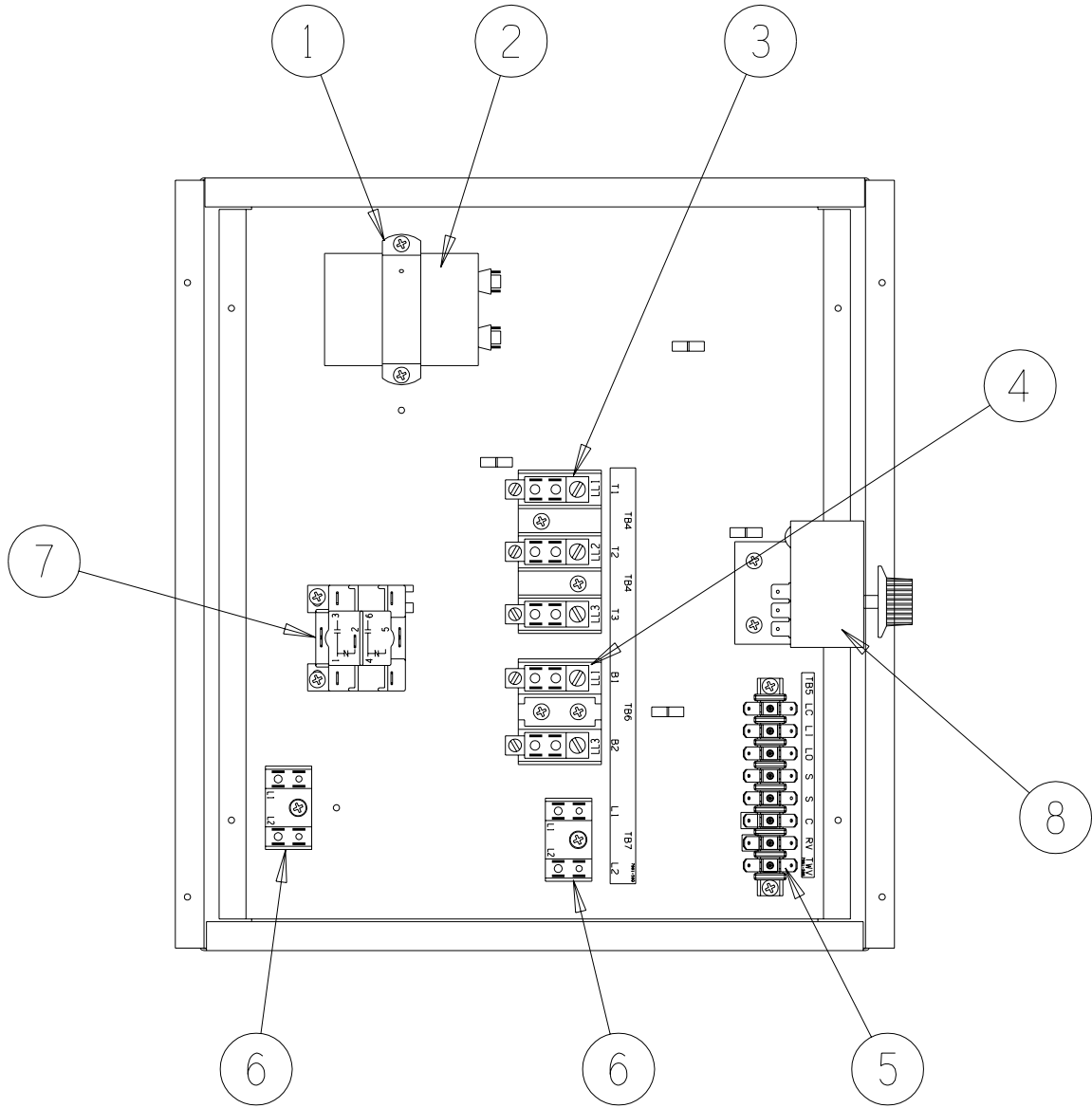
| Drawing No. | Part No. | Description | QH243-C0Z | QH302-C0Z | QH482-C0Z | QH602-C0Z | QH243-C06 | QH302-C06 | QH422-C06 | QH482-C06 | QH243-C09 | QH302-C09 | QH422-C09 | QH482-C09 | QH302-C09 | QH422-C09 | QH482-C09 | QH302-C09 | QH422-C15 | QH482-C15 | QH302-C06 | QH422-C06 | QH482-C06 | QH302-C09 | QH422-C09 | QH482-C09 | QH302-C09 | QH422-C15 | QH482-C15 | | |
|-------------|-----------|------------------------------|-----------|-----------|-----------|-----------|-----------|-----------|-----------|-----------|-----------|-----------|-----------|-----------|-----------|-----------|-----------|-----------|-----------|-----------|-----------|-----------|-----------|-----------|-----------|-----------|-----------|-----------|-----------|--|--|
| 16 | 8604-107 | Heat Strip 6KW 480V | | | | | X | | | | | | | | | | | | | | | | | | | | | | | | |
| 16 | 8604-108 | Heat Strip 9KW 480V | | | | | | | | | X | | | | | | | | | | | | | | | | | | | | |
| 17 | 8614-041 | Fuse Holder | X | | | | | | | | | | | | | | | | | | | | | | | | | | | | |
| 18 | 116-191 | Heat Strip Wrapper | | | | | | | | | | | | | | | | | | | | | | | | | | | | | |
| 19 | 8201-048 | Relay | | | | | | | | | | | | | | | | | | | | | | | | | | | | | |
| 20 | 8201-085 | Phase Monitor | X | | | | | | | | | | | | | | | | | | | | | | | | | | | | |
| 21 | 8611-094 | Indicator Light | X | | | | | | | | | | | | | | | | | | | | | | | | | | | | |
| 22 | 112-225 | Bracket | X | | | | | | | | | | | | | | | | | | | | | | | | | | | | |
| 23 | 3000-1148 | Wire Set PL3 | X | | | | | | | | | | | | | | | | | | | | | | | | | | | | |
| 24 | 8614-042 | Fuses Class CC 7A ① | X | | | | | | | | | | | | | | | | | | | | | | | | | | | | |
| 24 | 8614-046 | Fuses Class CC 5A ② | X | | | | | | | | | | | | | | | | | | | | | | | | | | | | |
| 24 | 8614-047 | Fuses Class CC 3.2A ③ | X | | | | | | | | | | | | | | | | | | | | | | | | | | | | |
| 25 | 8615-071 | Disconnect Handle | X | | | | | | | | | | | | | | | | | | | | | | | | | | | | |
| NS | 8407-058 | Transformer Stepdown 1.0 KVA | X | | | | | | | | | | | | | | | | | | | | | | | | | | | | |
| NS | 8407-003 | Transformer Stepdown 1.5 KVA | X | | | | | | | | | | | | | | | | | | | | | | | | | | | | |
| NS | 8407-004 | Transformer Stepdown 2.0 KVA | X | | | | | | | | | | | | | | | | | | | | | | | | | | | | |
| NS | 8201-015 | Staging Relay | | | | | | | | | | | | | | | | | | | | | | | | | | | | | |
| NS | 132-145 | Heat Strip Cover | | | | | | | | | | | | | | | | | | | | | | | | | | | | | |
| NS | 4101-300 | Wiring Diagram | X | | | | | | | | | | | | | | | | | | | | | | | | | | | | |
| NS | 4101-301 | Wiring Diagram | | | | | | | | | | | | | | | | | | | | | | | | | | | | | |
| NS | 4101-302 | Wiring Diagram | | | | | | | | | | | | | | | | | | | | | | | | | | | | | |
| NS | 4101-303 | Wiring Diagram | | | | | | | | | | | | | | | | | | | | | | | | | | | | | |
| NS | 4101-304 | Wiring Diagram | | | | | | | | | | | | | | | | | | | | | | | | | | | | | |

Continued from Page 18

① 7 Amp fuses used with 2.0 KVA transformer. ② 5 Amp fuses used with 1.5 KVA transformer. ③ 3.2 Amp fuses used with 1KVA transformer.
 NS = Not Shown

This Table references Exploded View on Page 13

LOWER CONTROL PANEL COMPONENTS



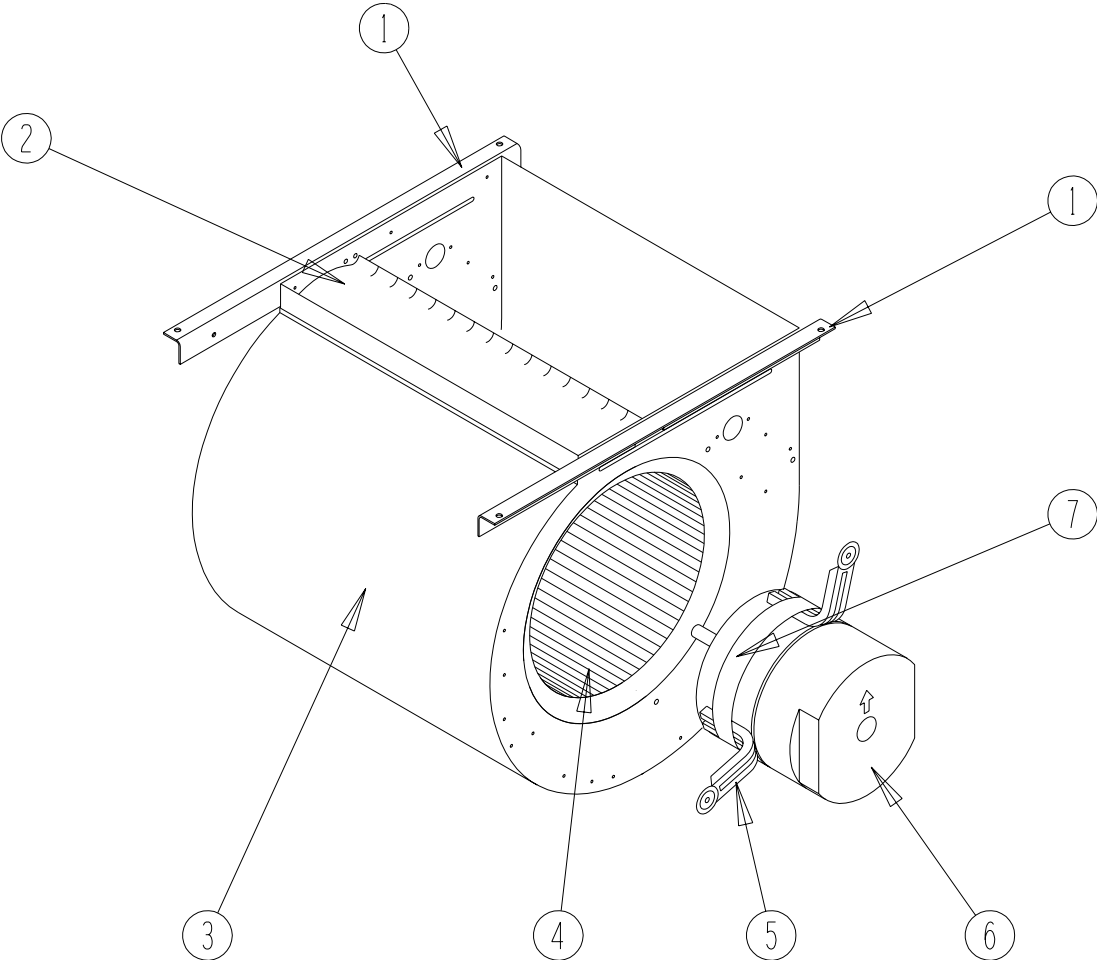
SEXP-374

LOWER CONTROL PANEL COMPONENTS

| Drawing No. | Part No. | Description | QH243-A | QH302-A, LA | QH362-A, LA | QH422-A, LA | QH482-A, LA | QH602-A | QH243-B QH302-B, LA QH362-B, LA QH422-B, LA QH482-B, LA QH602-B, LA | QH243-C QH302-C, LA QH362-C, LA QH422-C, LA QH482-C, LA QH602-C, LA |
|-------------|----------|-------------------------------------|---------|-------------|-------------|-------------|-------------|---------|--|--|
| 1 | 8550-008 | Capacitor Strap | X | X | X | X | X | X | | |
| 1 | 8550-003 | Capacitor Strap | | | | | | | X | X |
| 2 | 8552-002 | Fan Capacitor | | | | | | | X | X |
| 2 | 8552-050 | Compressor Capacitor | X | | | | | | | |
| 2 | 8552-052 | Compressor Capacitor | | X | | | | | | |
| 2 | 8552-063 | Compressor Capacitor | | | X | | | | | |
| 2 | 8552-062 | Compressor Capacitor | | | | X | X | | | |
| 2 | 8552-076 | Compressor Capacitor | | | | | | X | | |
| 3 | 8607-014 | Terminal Block 3 Terminal | | | | | | | X | X |
| 4 | 8607-013 | Terminal Block 2 Terminal | X | X | X | X | X | X | | X |
| 5 | 8607-022 | Terminal Block 8 Pos | X | X | X | X | X | X | X | X |
| 6 | 8607-017 | Terminal Block 2 Terminal | X | X | X | X | X | X | X | X |
| 7 | 8201-032 | Low Ambient Bypass Relay (Optional) | X | X | X | X | X | X | X | X |
| 8 | 8408-034 | Outdoor Thermostat ① | X | X | X | X | X | X | X | X |

① Optional on standard models. Standard on low ampacity models.

BLOWER ASSEMBLY COMPONENTS

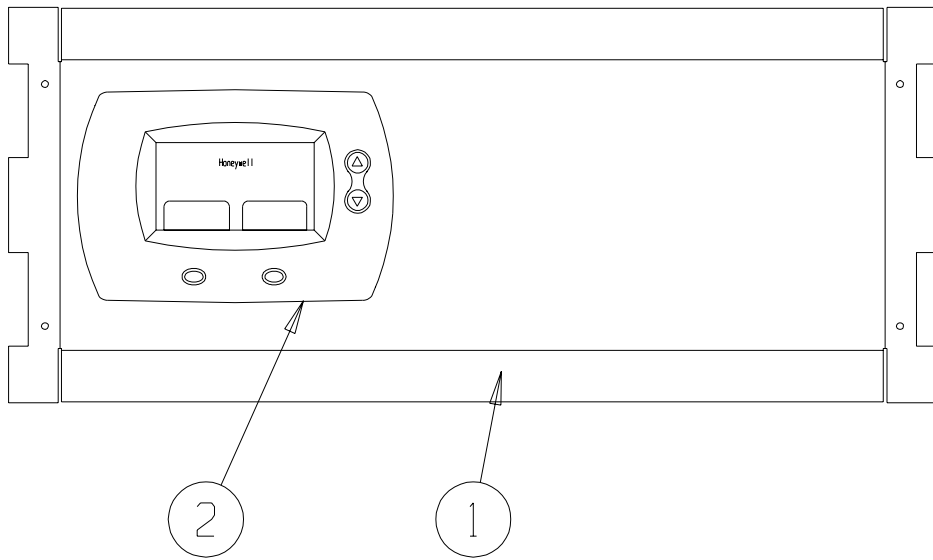
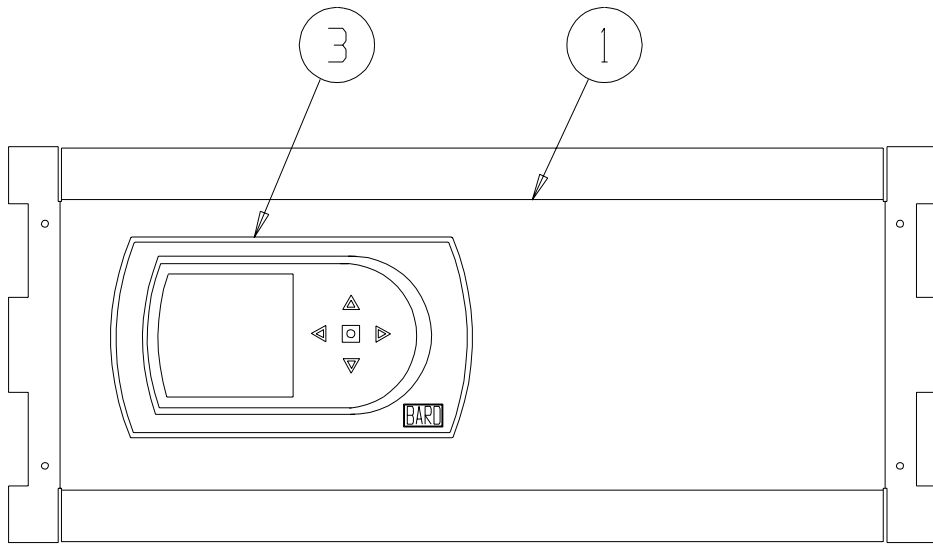


SEXP-245

BLOWER ASSEMBLY COMPONENTS

| Drawing No. | Part No. | Description | 900-225-001 | 900-225-002 | 900-225-004 | 900-225-005 | 900-254-001 |
|-------------|-----------------|--|-------------|-------------|-------------|-------------|-------------|
| 1 | 104-980 | Blower Angle | 2 | 2 | 2 | 2 | 2 |
| 2 | 144-131 | Diffuser | X | X | X | X | X |
| 3 | 151-110 | Blower Housing | X | X | X | X | X |
| 4 | 5152-061 | Blower Wheel | X | X | X | X | X |
| 5 | 8620-034 | Motor Mount Kit | 1 | 1 | 1 | 1 | 1 |
| 6 | 8106-035-0003 | 1/2 HP ECM Motor with Programmed Control | X | | | | |
| 6 | C8106-035-0003 | Programmed Motor Control - Only | X | | | | |
| 6 | 8106-035-0004 | 1/2 HP ECM Motor with Programmed Control | | X | | | |
| 6 | C8106-035-0004 | Programmed Motor Control - Only | | X | | | |
| 6 | 8106-035-0005A | 1/2 HP ECM Motor with Programmed Control | | | X | | |
| 6 | C8106-035-0005A | Programmed Motor Control - Only | | | X | | |
| 6 | 8106-035-0013 | 1/2 HP ECM Motor with Programmed Control | | | | X | |
| 6 | C8106-035-0013 | Programmed Motor Control - Only | | | | X | |
| 6 | 8107-009-0024 | 3/4 HP ECM Motor with Programmed Control | | | | | X |
| 6 | C8107-009-0024 | Programmed Motor Control - Only | | | | | X |
| 7 | 8620-034 | Motor Mount | X | X | X | X | X |

OPTIONAL CLIMATE CONTROLS



SEXP-0497

OPTIONAL CLIMATE CONTROLS

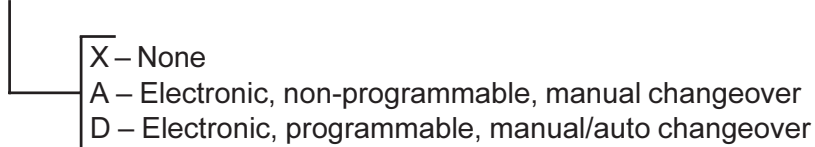
| Drawing No. | Part No. | Description | QH243, QH302 QH362, QH422 | | | QH482, QH602 | | |
|-------------|--------------|---|------------------------------|----------|----------|--------------|----------|----------|
| | | | Option X | Option A | Option D | Option X | Option A | Option D |
| 1 | S127-313-* ① | Thermostat Plate | X | | | X | | |
| 1 | S127-308-* ① | Thermostat Plate | | X | X | | X | X |
| 2 | 8403-058 | Electronic / Non-Programmable Manual / Auto Changeover | | X | | | X | |
| 3 | 8403-060 | Electronic / Programmable Manual / Auto Changeover | | | X | | | X |
| NS | 3000-1157 | Wire Harness, Low Voltage, Terminal Strip to PL2 | X | | | X | | |
| NS | 3000-1156 | Wire Harness, Thermostat to PL2 | | X | | | X | |
| NS | 3000-1256 | Wire Harness, Thermostat to PL2 | | | X | | | X |
| NS | 8607-019 | Low Voltage Terminal Strip | X | X | | X | X | |
| NS | 4102-020 | Wiring Diagram | X | | | X | | |
| NS | 4102-021 | Wiring Diagram | | X | | | X | |
| NS | 4102-047 | Wiring Diagram | | | X | | | X |

① Exterior cabinet parts are manufactured with various color options. To insure that you receive the proper color, you must include the complete models and serial number of the unit for which parts are being ordered.

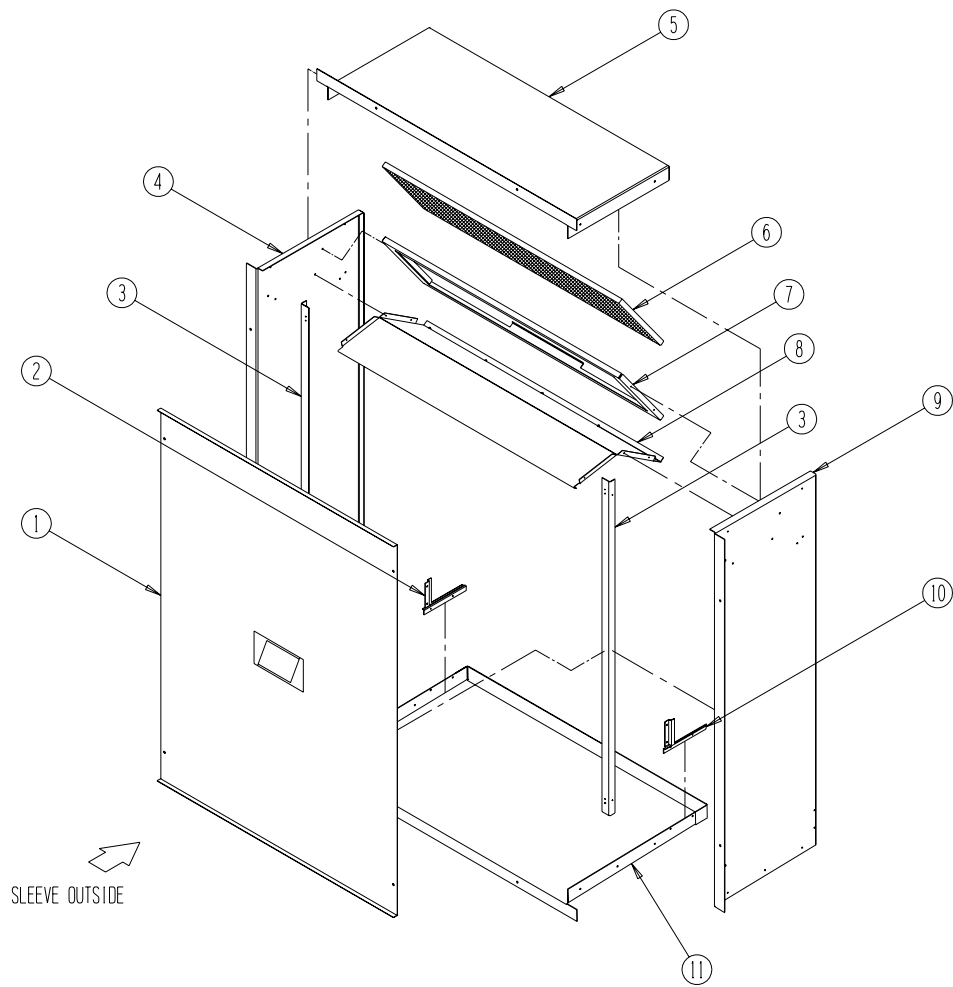
NS Not Shown

CLIMATE CONTROL OPTION NOMENCLATURE AS SHOWN IN UNIT MODEL NUMBER

QH 362 - A 09 X X X X X X



WALL SLEEVE CABINET COMPONENTS



SEXP-281

WALL SLEEVE CABINET COMPONENTS

| Drawing No. | Part No. | Description | QWS42A | QWS42A-16 | QWS48A | QWS48A-16 |
|-------------|-----------|--------------------------|--------|-----------|--------|-----------|
| 1 | 142-056 | Cover | X | X | | |
| 1 | 142-068 | Cover | | | X | X |
| 2 | 137-450-X | Left Sleeve Corner Fill | X | X | X | X |
| 3 | 104-988-X | Angle | 2 | 2 | 2 | 2 |
| 4 | 111-081-X | Left Side | X | | X | |
| 4 | 111-083-X | Left Side | | X | | X |
| 5 | 111-047-X | Top | X | | | |
| 5 | 110-050-X | Top | | X | | |
| 5 | 110-056-X | Top | | | X | |
| 5 | 110-070-X | Top | | | | X |
| 6 | 7003-044 | Mist Eliminator | X | X | X | X |
| 7 | 131-120-X | Filter Tray | X | X | | |
| 7 | 131-128-X | Filter Tray | | | X | X |
| 8 | 121-305-X | Partition | X | | | |
| 8 | 121-309-X | Partition | | X | | |
| 8 | 121-322-X | Partition | | | X | |
| 8 | 121-348-X | Partition | | | | X |
| 9 | 111-080-X | Right Side | X | | X | |
| 9 | 111-082-X | Right Side | | X | | X |
| 10 | 137-449-X | Right Sleeve Corner Fill | X | X | | |
| 11 | 111-046-X | Base | X | | | |
| 11 | 111-049-X | Base | | X | | |
| 11 | 111-055-X | Base | | | X | |
| 11 | 111-071-X | Base | | | | X |