
REPLACEMENT PARTS MANUAL

WALL MOUNTED PACKAGE HEAT PUMPS

Models: **WH184**
WH242

General Notes

- Revised and/or additional pages may be issued from time to time.
- A complete and current manual consists of pages shown in the following contents section.

Important

- Contact the installing and/or local Bard distributor for all parts requirements. Make sure you have the complete model and serial number available from the unit rating plates.

Contents

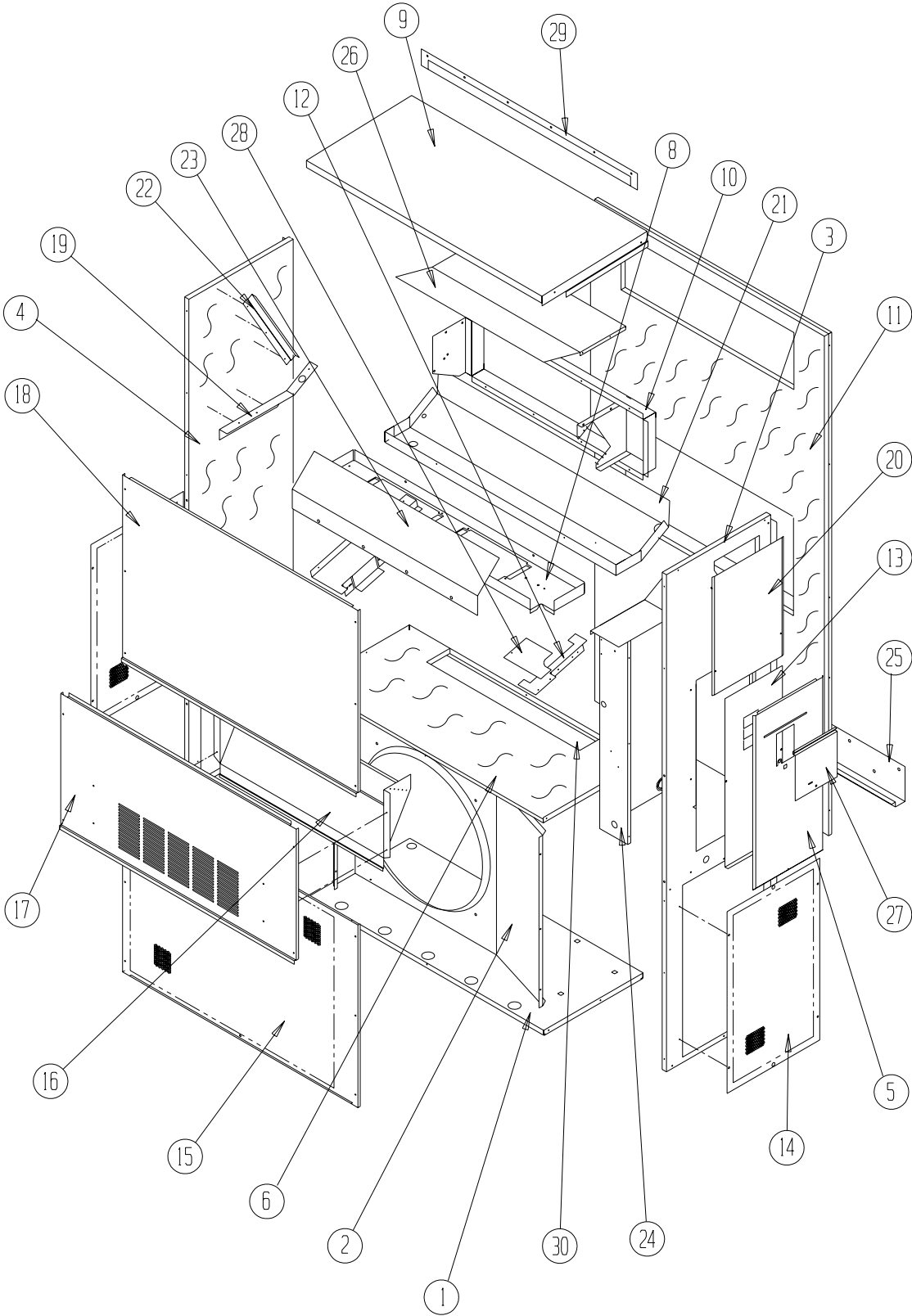
Description	Page
Cabinet Components	
♦ Exploded View	2
♦ Usage List	3
Functional Components	
♦ Exploded View	4
♦ Usage List	5
Control Panel	
♦ Exploded View	6
♦ Usage List	7
Blower Assembly	
♦ Exploded View	8
♦ Usage List	8



Bard Manufacturing Company, Inc.
Bryan, Ohio 43506
Since 1914...Moving ahead, just as planned.

Manual: 2110-549C
Supersedes: 2110-549B
File: Tab 17
Date: 01-16-07

CABINET COMPONENTS



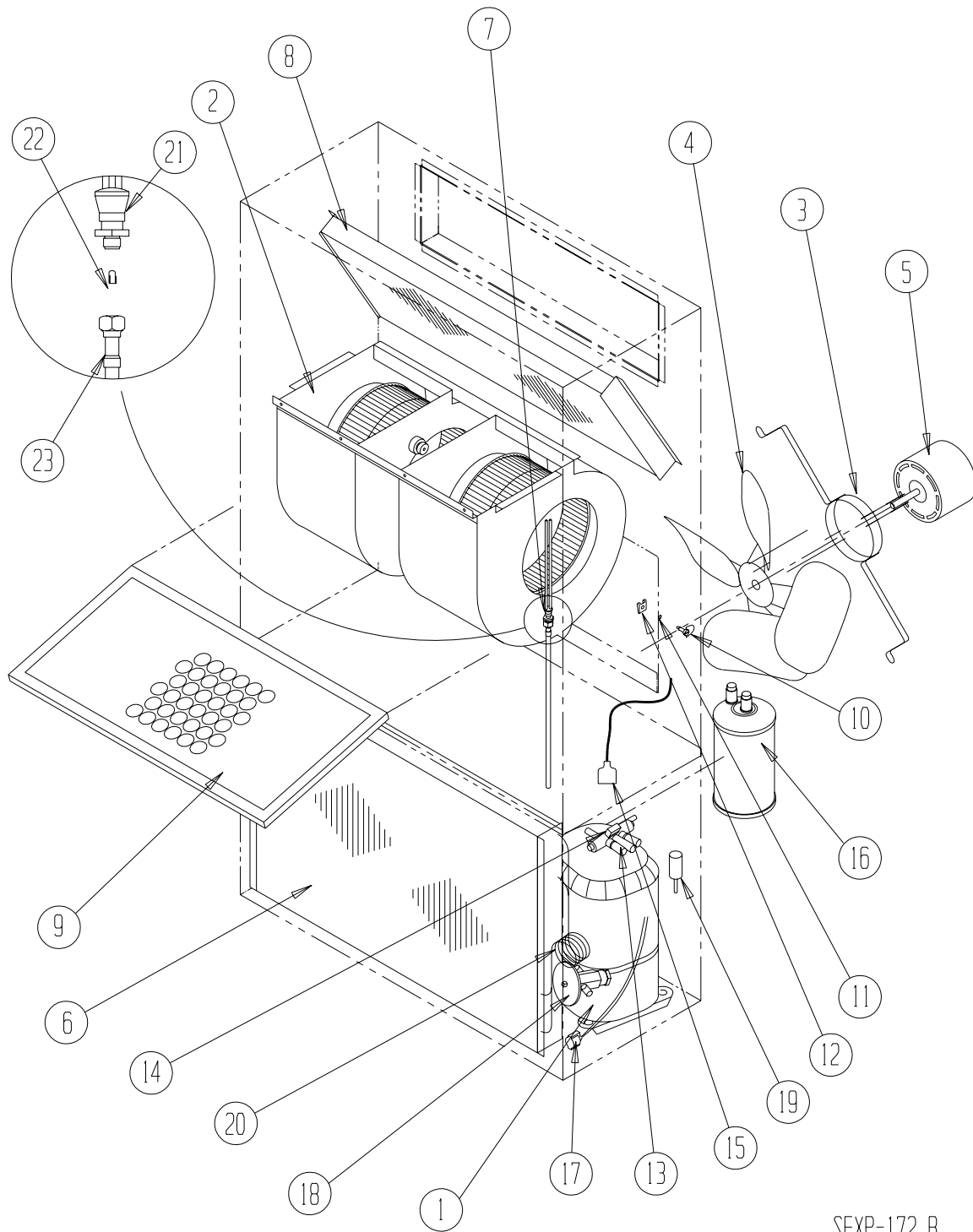
SEXP-160

CABINET COMPONENTS

Drawing No.	Part. No.	Description	WH184-A	WH242-A,B	WH242-C
1	S127-204	Lower Base	X	X	X
2	125-023	Fan Shroud	X	X	X
3	S500-228-* ①	Right Side	X	X	X
4	S500-229-* ①	Left Side	X	X	X
5	S533-109-* ①	Control Panel Cover (Outer)	X	X	X
6	S521X204	Condenser Partition	X	X	X
8	121X336	Blower Partition	X	X	X
9	S506-137-* ①	Top	X	X	X
10	S111X032	Outlet Air Frame Assembly	X	X	X
11	S508-097	Back	X	X	X
12	113X195	Filter Bracket	2	2	2
13	S132-104	Inner Control Panel Cover	X	X	
13	S132-172	Inner Control Panel Cover			X
14	118-056-* ①	Side Grille	2	2	2
15	118-050-* ①	Condenser Grille	X	X	X
16	BFAD-2	Fresh Air Damper Assembly	X	X	X
17	S552-213-* ①	Service Door	X	X	X
18	S514-076-* ①	Upper Front	X	X	X
19	105X850	Left Side Support	X	X	X
20	S143-034-* ①	Right Side Cover Plate (Outer)	X	X	X
21	S123-080	Drain Pan	X	X	X
22	147-044	Left Evaporator Support	X	X	X
23	137-195	Bottom Evaporator Fill	X	X	X
24	Control Panel Assembly	See Control Panel Assembly Drawing and Parts List	X	X	X
25	113-140	Bottom Mounting Bracket	1	1	1
26	135X127	Heat Shield	X	X	X
27	S153-218-* ①	Disconnect Access Door	X	X	X
28	137-259	Fill Plate	X	X	X
29	113-141-* ①	Top Rain Flashing	X	X	X

① Exterior cabinet parts are manufactured with various paint color options. To insure that you receive the proper paint color, you must include the complete model and serial number of the unit for which cabinet parts are being ordered.

FUNCTIONAL COMPONENTS



SEXP-172 B

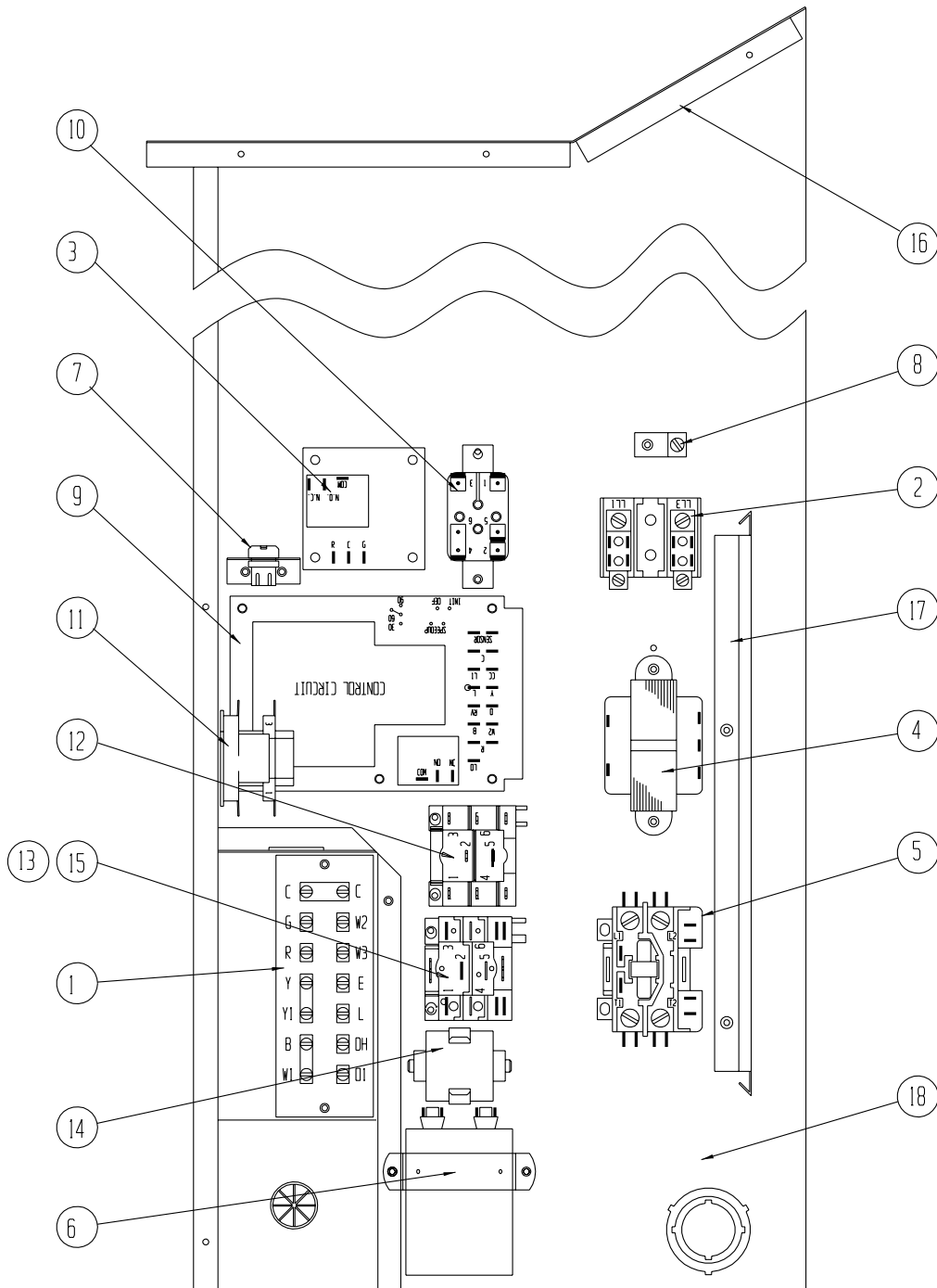
FUNCTIONAL COMPONENTS

Dwg. No.	Part Number	Description	WH184-A	WH242-A	WH242-B	WH242-C
1	8000-257	Compressor	X			
1	8000-140	Compressor		X		
1	8000-141	Compressor			X	
1	8000-142	Compressor				X
2	S900-248	Blower Assembly	X	X	X	
2	S900-250	Blower Assembly				X
3	8200-001	Fan Motor Mount	X	X	X	X
4	5151-033	Fan Blade	X	X	X	
4	5151-046	Fan Blade				X
5	8103-016	Condenser Motor	X	X	X	
5	8103-020	Condenser Motor				X
6	5051-069BX	Condenser Coil		X	X	X
6	5051-070BX	Condenser Coil	X			
7	800-0200	Cooling Capillary Assembly		X	X	X
8	5060-065BX	Evaporator Coil	X	X	X	X
9	7004-011	Air Filter 1" Throw Away	X	X	X	X
9	7003-032	Air Filter 1" Washable ①	X	X	X	X
9	7004-025	Air Filter 2" Pleated ①	X	X	X	X
10	1171-022	1/4 Turn Fastener	X	X	X	X
11	1171-024	1/4 Turn Retainer	X	X	X	X
12	1171-023	1/4 Receptacle	X	X	X	X
13	5650-038	Reversing Valve with 24VSolenoid Coil	X	X	X	X
14	5650-042	Rev. Valve Solenoid, Red Casing (Ranco)	X	X	X	X
14	5650-043	Rev. Valve Solenoid, Black Casing (Wilspec)	X	X	X	X
14	5650-046	Rev. Valve Solenoid, Black Casing (San Hua)	X	X	X	X
15	5650-037	Molded Plug 36" Lead	X	X	X	X
16	5202-023	Accumulator		X	X	X
17	8620-095	Defrost Sensor	X	X	X	X
18	800-0199	Heating Capillary Assembly		X	X	X
18	5651-094	TXV Thermal Exapansion Valve	X			
19	1804-0106	High Pressure Switch (Solder) ①	X	X	X	X
20	5625-013	Heating Distributor	X			
21	5625-012	Cooling Distributor (Male)	X			
22	5625-052	Cooling Orifice (.052)	X			
23	5625-003	Cooling Distributor (Female)	X			
NS	1804-0107	Low Pressure Switch (Flare) ①	X	X	X	X
NS	CMA-6	Low Ambient Control (Flare) ①	X	X	X	X

NS = Not Shown

① = Optional

CONTROL PANEL



SEXP-168 A

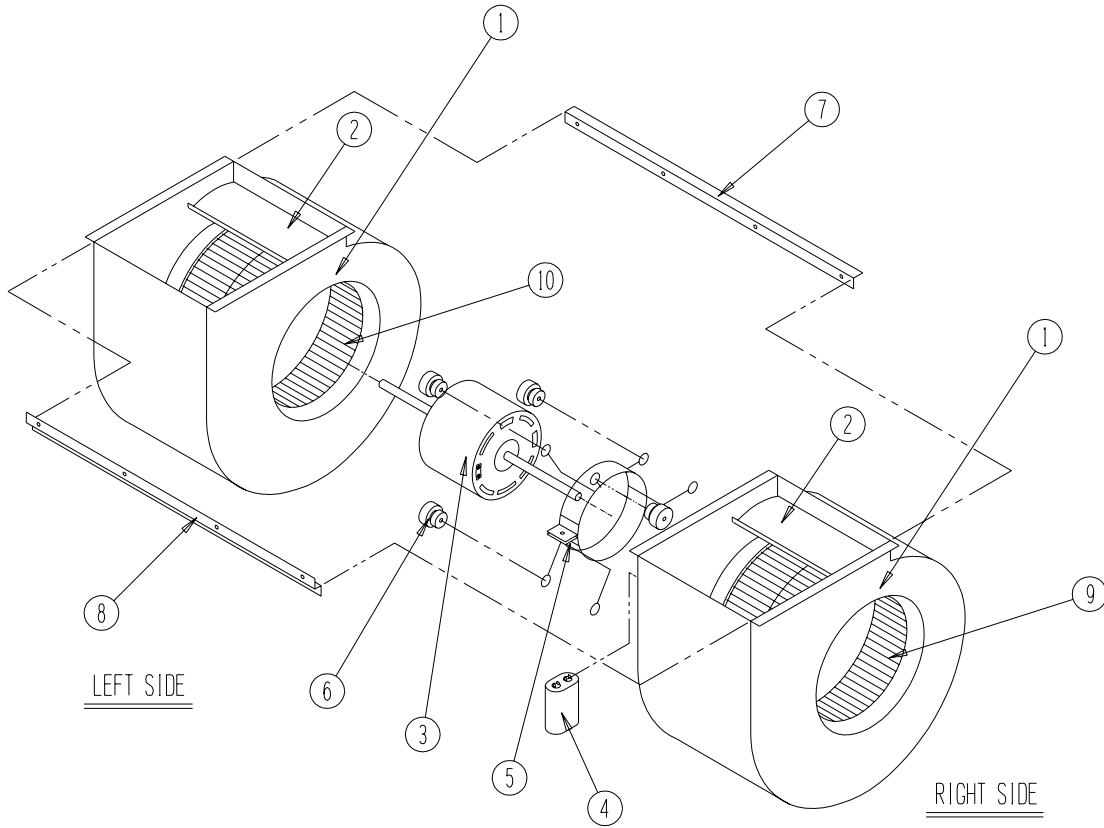
CONTROL PANEL

Drawing No.	Part No.	Description	WH184-A	WH242-A	WH242-B	WH242-C
1	8607-019	Low Voltage Terminal Strip	X	X	X	X
2	8607-013	Terminal Block 2 Pole	X	X		
2	8607-014	Terminal Block 3 Pole			X	X
2	8607-015	Phenolic Insulator				X
3	8201-056	Blower Control	X	X	X	
3	8201-032	Blower Relay				X
4	8407-035	Transformer	X	X	X	
4	8407-042	Transformer				X
5	8401-007	Compressor Contactor	X	X		
5	8401-002	Compressor Contactor			X	X
6	8552-048	Compressor Capacitor	X			
6	8552-047	Compressor Capacitor		X		
6	8552-002	Outdoor Motor Capacitor			X	X
7	3000-971	6 Pin Connector	X	X	X	X
8	8611-006	Ground Terminal	X	X	X	X
9	8201-102	Heat Pump Control Board	X	X	X	X
11	8201-065	Low Pressure Bypass (TDR) ①	X	X	X	X
12	8201-086	Low Ambient Bypass Relay ①	X	X	X	X
13	8607-017	LAC Terminal Block ①	X	X	X	X
14	8551-005	Start Device ①	X	X		
15	8201-032	Outdoor Fan Relay				X
16	117X137	Control Panel Top	X	X	X	X
17	135-122	Wire Shield	X	X	X	X
18	117X123	Control Panel	X	X	X	X
NS	4096-115	Wiring Diagram	X			
NS	4096-110	Wiring Diagram		X		
NS	4096-210	Wiring Diagram			X	
NS	4096-310	Wiring Diagram				X

NS = Not Shown

① = Optional

BLOWER ASSEMBLY



SEXP-346

Drawing No.	Part No.	Description	S900-248	S900-250
1	151-115	Blower Housing	X	X
2	144-183	Cutoff	X	X
3	8102-011	Blower Motor (230/208)	X	
3	8105-033	Blower Motor (460)		X
4	8552-002	Capacitor	X	X
5	8200-031	Motor Mount	X	X
6	5451-011	Grommets	6	6
7	105-1061	Back Brace	X	X
8	103-435	Front Brace	X	X
9	5152-092	Wheel 9-6 CW	X	X
10	5152-093	Wheel 9-6 CCW	X	X