
REPLACEMENT PARTS MANUAL

QTEC SERIES PACKAGED AIR CONDITIONER

Models:

QA241D QA301D
QA361D QA421D
QA481D QA601D

General Notes

- Revised and/or additional pages may be issued from time to time.
- A complete and current manual consists of pages shown in the following contents section.

Contents

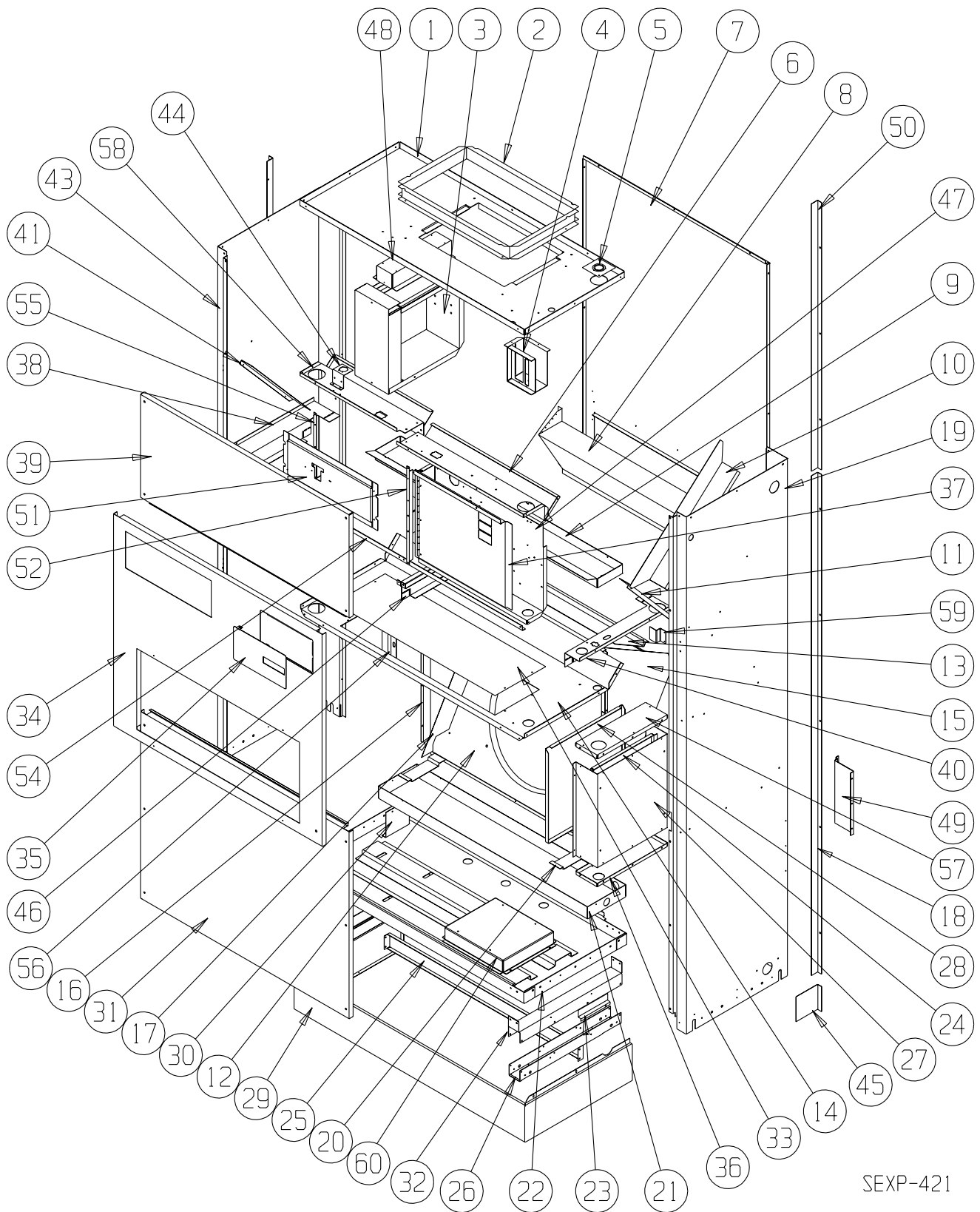
Description	Page
Cabinet Components	
♦ Exploded View	1
♦ Usage List	2
♦ Usage List	3
♦ Usage List	4
♦ Usage List	5
♦ Blank Page	6
Functional Components	
♦ Exploded View	7
♦ Usage List	8
♦ Usage List	9
♦ Usage List	10
♦ Usage List	11
Upper Control Panel Components	
♦ Exploded View	12
♦ Usage List	13
♦ Usage List	14
♦ Usage List	15
♦ Usage List	16
♦ Usage List	17
♦ Usage List	18
Lower Control Panel Components	
♦ Exploded View	19
♦ Usage List	20
Blower Assembly Components	
♦ Exploded View	21
♦ Usage List	22
Optional Climate Control Components	
♦ Exploded View	23
♦ Usage List	24
Wall Sleeve Cabinet Components	
♦ Exploded View	25
♦ Usage List	26



BARD MANUFACTURING COMPANY
Bryan, Ohio 43506
Since 1914...Moving ahead, just as planned.

Manual: 2110-552
Supersedes:
File: Tab 14
Date: 10-02-03

CABINET COMPONENTS



SEXP-421

This Exploded View is referenced in Tables on Page 2, 3,4 & 5

CABINET COMPONENTS

Drawin- g No.	Part No.	Description	QA241DA, DB	QA241DC	QA301DA, DB	QA301DC	QA361DA, DB	QA361DC	QA421DA, DB	QA421DC
<i>Continued from Page 2</i>										
31	552-332-* ①	Condenser Door Assembly	X	X	X	X	X	X	X	X
32	140-280	Upper Roller Support	2	2	2	2	2	2	2	2
33	536-351	Condenser Blank Off Plate	X	X	X	X	X	X	X	X
34	552-330-* ①	Filter Door Assembly	X	X	X	X	X	X	X	X
35	152-336-* ①	Circuit Breaker Door	X	X	X	X	X	X	X	X
36	116-238	Lower Control Panel Bottom	X	X	X	X	X	X	X	X
37	132-166	Rotary Disconnect Door Inner	X	X	X	X	X	X	X	X
37	132-165	Circuit Breaker Door Inner	X	X	X	X	X	X	X	X
38	113-305	Left Filter Bracket	X	X	X	X	X	X	X	X
39	552-331-* ①	Blower Door Assembly	X	X	X	X	X	X	X	X
40	113-282	Right Filter Bracket	X	X	X	X	X	X	X	X
41	140Y277	Left Evaporator Support	X	X	X	X	X	X	X	X
43	500-391-* ①	Left Side Assembly	X	X	X	X	X	X	X	X
44	113-142	Expansion Valve Mounting Plate	X	X	X	X	X	X	X	X
45	135-165-* ①	Base Trim Extension	2	2	2	2	2	2	2	2
46	112X283	Center Right Filter Bracket	X	X	X	X	X	X	X	X
46	112Y283	Center Left Filter Bracket	X	X	X	X	X	X	X	X
47	See Page 17	Rotary Disconnect Assembly	X	X	X	X	X	X	X	X
47	See Page 15	Circuit Breaker Box Assembly	X	X	X	X	X	X	X	X
48	112-229	Heatstrip Bracket	X	X	X	X	X	X	X	X
49	112-234	Mounting Bracket	2	2	2	2	2	2	2	2
50	135-178-* ①	Side Trim - Upper	2	2	2	2	2	2	2	2
51	See Page 24	Thermostat Mounting Plate	X	X	X	X	X	X	X	X
52	104-1157	Left Thermostat Support Angle	X	X	X	X	X	X	X	X
54	104-1097	Front Filter Angle	X	X	X	X	X	X	X	X
55	104-1096	Right Thermostat Support Angle	X	X	X	X	X	X	X	X
56	102-434	Sleeve Offset	X	X	X	X	X	X	X	X
57	117-237	Lower Control Panel Top	X	X	X	X	X	X	X	X
58	534-212	Evaporator Coil Shield - Left	X	X	X	X	X	X	X	X
59	103-443	Door Latch Offset	X	X	X	X	X	X	X	X
60	140-282	Transformer Support	X	X	X	X	X	X	X	X

① Exterior cabinet parts are manufactured with various color options. To insure that you receive the proper color, you must include the complete models and serial number of the unit for which parts are being ordered.

This Table references Exploded View on Page 1

CABINET COMPONENTS

Drawin- g No.	Part No.	Description	QA241DA, DB	QA241DC	QA301DA, DB	QA301DC	QA361DA, DB	QA361DC	QA421DA, DB	QA421DC
<i>Continued from Page 2</i>										
31	552-332-* ①	Condenser Door Assembly	X	X	X	X	X	X	X	X
32	140-280	Upper Roller Support	2	2	2	2	2	2	2	2
33	536-351	Condenser Blank Off Plate	X	X	X	X	X	X	X	X
34	552-330-* ①	Filter Door Assembly	X	X	X	X	X	X	X	X
35	152-336-* ①	Circuit Breaker Door	X	X	X	X	X	X	X	X
36	116-238	Lower Control Panel Bottom	X	X	X	X	X	X	X	X
37	132-166	Rotary Disconnect Door Inner		X		X		X		X
37	132-165	Circuit Breaker Door Inner	X		X		X		X	
38	113-305	Left Filter Bracket	X	X	X	X	X	X	X	X
39	552-331-* ①	Blower Door Assembly	X	X	X	X	X	X	X	X
40	113-282	Right Filter Bracket	X	X	X	X	X	X	X	X
41	140Y277	Left Evaporator Support	X	X	X	X	X	X	X	X
43	500-391-* ①	Left Side Assembly	X	X	X	X	X	X	X	X
44	113-142	Expansion Valve Mounting Plate	X	X	X	X	X	X	X	X
45	135-165-* ①	Base Trim Extension	2	2	2	2	2	2	2	2
46	112X283	Center Right Filter Bracket	X	X	X	X	X	X	X	X
46	112Y283	Center Left Filter Bracket	X	X	X	X	X	X	X	X
47	See Page 17	Rotary Disconnect Assembly		X		X		X		X
47	See Page 15	Circuit Breaker Box Assembly	X		X		X		X	
48	112-229	Heatstrip Bracket	X	X	X	X	X	X	X	X
49	112-234	Mounting Bracket	2	2	2	2	2	2	2	2
50	135-178-* ①	Side Trim - Upper	2	2	2	2	2	2	2	2
51	See Page 24	Thermostat Mounting Plate	X	X	X	X	X	X	X	X
52	104-1157	Left Thermostat Support Angle	X	X	X	X	X	X	X	X
54	104-1097	Front Filter Angle	X	X	X	X	X	X	X	X
55	104-1096	Right Thermostat Support Angle	X	X	X	X	X	X	X	X
56	102-434	Sleeve Offset	X	X	X	X	X	X	X	X
57	117-237	Lower Control Panel Top	X	X	X	X	X	X	X	X
58	534-212	Evaporator Coil Shield - Left	X	X	X	X	X	X	X	X
59	103-443	Door Latch Offset	X	X	X	X	X	X	X	X
60	140-282	Transformer Support		X		X		X		X

① Exterior cabinet parts are manufactured with various color options. To insure that you receive the proper color, you must include the complete models and serial number of the unit for which parts are being ordered.

This Table references Exploded View on Page 1

CABINET COMPONENTS

Drawing No.	Part No.	Description	QA481DA, DB	QA601DA, DB
			QA481DC	QA601DC
1	506-226	Top Assembly	X	X
2	110-044	Outlet Duct Flange	2	2
3	See Page 12	Heater Package Assembly (Optional)	X	X
4	117-187	Low Voltage Box Assembly (Optional)	X	X
5	136-359	T.K.O. Plate	X	X
6	534-195	Evaporator Coil Shield - Right	X	X
7	508-149	Back Assembly	X	X
8	538-106	Fresh Air Damper Assembly	X	X
9	523-105	Evaporator Drain Pan Assembly	X	X
10	134-154	Wire Channel	X	X
11	140X277	Right Evaporator Support	X	X
12	124-046	Fan Shroud Back	X	X
13	142-066	Condenser Coil Fill	X	X
14	520-377	Condenser Partition Assembly	X	X
15	124-041	Fan Shroud - Right Side	X	X
16	124-046	Fan Shroud - Left Side	X	X
17	140-229	Condenser Coil Support	2	2
18	135-177-* ①	Side Trim - Lower	2	2
19	500-392-* ①	Right Side Assembly	X	X
20	140-227	Subcooling Loop Hold Down	3	3
21	123-099	Condenser Drain Pan Assembly	X	X
22	527-294	Lower Base Assembly	X	X
23	102-415	Pile Seal Offset	2	2
24	117-240	Lower Control Panel Plate	X	X
25	135-194	Base Shield	X	X
26	140-276	Lower Roller Support	X	X
27	See Page 19	Control Panel Components	X	X
28	133-164	Control Panel Door - Lower	X	X
29	534-174-6	Base Trim Assembly	X	X
30	140-230	Drain Pan Support	X	X
<i>Continued on Page 3</i>				

① Exterior cabinet parts are manufactured with various color options. To insure that you receive the proper color, you must include the complete models and serial number of the unit for which parts are being ordered.

This Table references Exploded View on Page 1

CABINET COMPONENTS

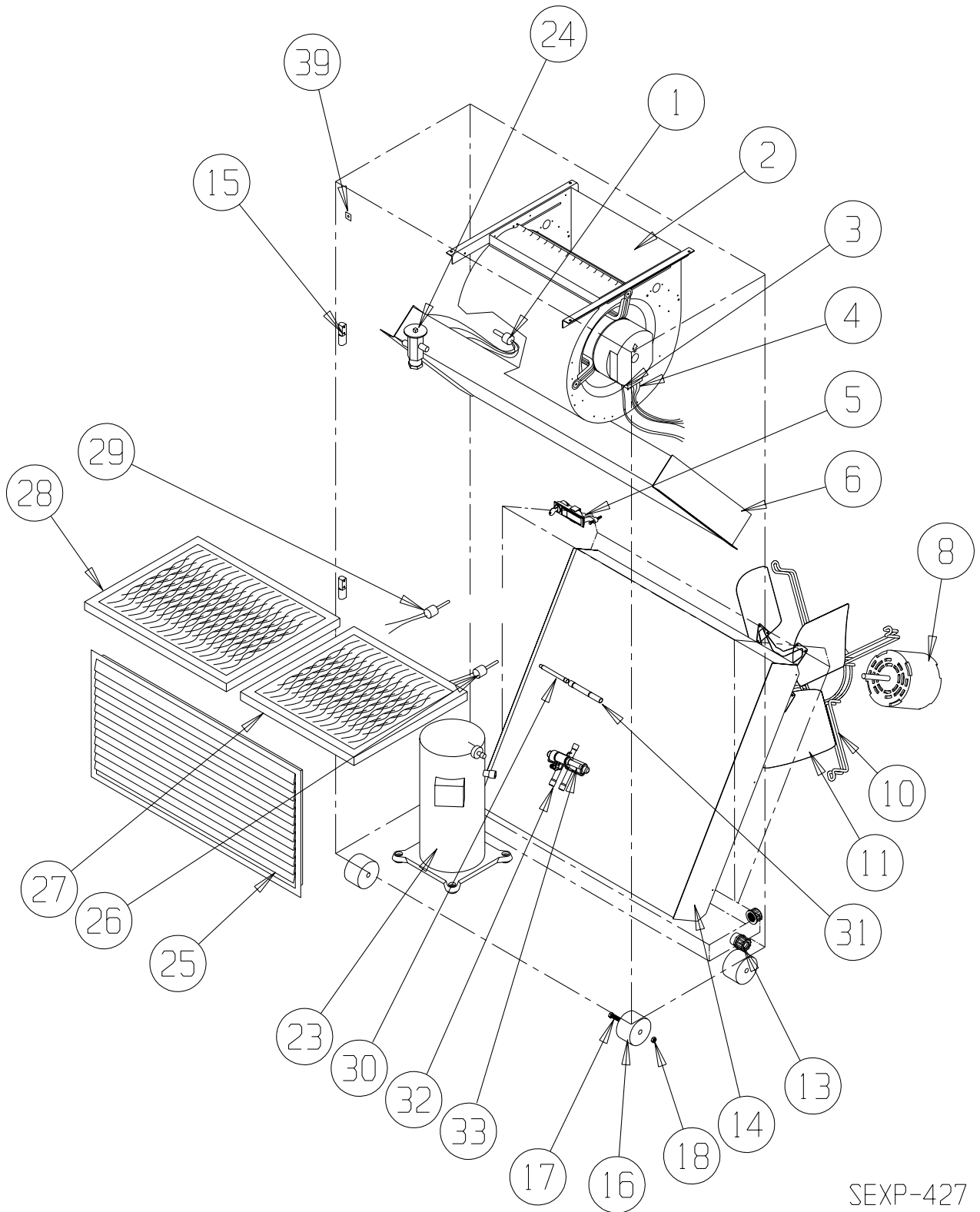
Drawing No.	Part No.	Description	QA481DA, DB QA601DA, DB	QA481DC QA601DC
31	552-334-* ①	Condenser Door Assembly	X	X
32	140-280	Upper Roller Support	2	2
33	536-351	Condenser Blank Off Plate	X	X
34	552-335-* ①	Filter Door Assembly	X	X
35	152-336-* ①	Circuit Breaker Door	X	X
36	116-238	Lower Control Panel Bottom	X	X
37	132-166	Rotary Disconnect Door Inner		X
37	132-165	Circuit Breaker Door Inner	X	
38	113-305	Left Filter Bracket	X	X
39	552-333-* ①	Blower Door Assembly	X	X
40	113-286	Right Filter Bracket	X	X
41	140Y277	Left Evaporator Support	X	X
43	500-393-* ①	Left Side Assembly	X	X
44	113-142	Expansion Valve Mounting Plate	X	X
45	134-165-* ①	Base Trim Extension	2	2
46	112X283	Center Right Filter Bracket	X	X
46	112Y283	Center Left Filter Bracket	X	X
47	See Page 17	Rotary Disconnect Assembly		X
47	See Page 15	Circuit Breaker Box Assembly	X	
48	112-229	Heatstrip Bracket	X	X
49	112-234	Mounting Bracket	2	2
50	135-178-* ①	Side Trim - Upper	2	2
51	See Page 24	Thermostat Mounting Plate	X	X
52	104-1157	Left Thermostat Support Angle	X	X
54	104-1101	Front Filter Angle	X	X
55	104-1096	Right Thermostat Support Angle	X	X
56	102-434	Sleeve Offset	X	X
57	117-237	Lower Control Panel Top	X	X
58	534-212	Evaporator Coil Shield - Left	X	X
59	103-443	Door Latch Offset	X	X
60	140-282	Transformer Support		X

① Exterior cabinet parts are manufactured with various color options. To insure that you receive the proper color, you must include the complete models and serial number of the unit for which parts are being ordered.

This Table references Exploded View on Page 1

This page has been left blank intentionally.

FUNCTIONAL COMPONENTS



SEXP-427

This Exploded View is referenced in Tables on pages 8, 9, 10& 11

FUNCTIONAL COMPONENTS

Drawing No.	Part No.	Description	QA241DA	QA241DB	QA241DC	QA301DA	QA301DB	QA301DC	QA361DA	QA361DB	QA361DC	QA421DA	QA421DB	QA421DC
1	5625-007	Distributor	X	X	X	X	X	X	X	X	X	X	X	X
1	5625-008	Distributor							X	X	X	X	X	X
2	900-225-001	Blower Assembly	X	X	X									
2	900-225-002	Blower Assembly				X	X	X						
2	900-225-004	Blower Assembly							X	X	X	X	X	X
3	3000-1145	Wire Harness High Voltage			X			X			X			X
3	3000-1046	Wire Harness High Voltage	X	X		X	X		X	X		X	X	
4	3000-1205	Wire Harness Low Voltage	X	X	X	X	X	X	X	X	X	X	X	X
5	1171-049	Keylatch/Circuit Breaker Door	X	X	X	X	X	X	X	X	X	X	X	X
6	917-0086	Evaporator Coil Assembly	X	X	X	X	X	X						
6	917-0088	Evaporator Coil Assembly							X	X	X	X	X	X
8	8103-038	Motor			X			X			X			X
8	8103-037	Motor	X	X		X	X		X	X		X	X	
10	8200-001	Motor Mount	X	X	X	X	X	X	X	X	X	X	X	X
11	5151-050	Fan Blade	X	X	X	X	X	X	X	X	X	X	X	X
13	6094-003	Drain Fitting	1	1	1	1	1	1	1	1	1	1	1	1
14	5051-125	Condenser Coil	X	X	X									
14	5051-126	Condenser Coil				X	X	X	X	X	X	X	X	X
14	5051-127	Condenser Coil										X	X	X
15	5400-005	Hinge	2	2	2	2	2	2	2	2	2	2	2	2
16	1171-035	Wheel	4	4	4	4	4	4	4	4	4	4	4	4
17	1012-129	Bolt - Shoulder	4	4	4	4	4	4	4	4	4	4	4	4
18	1012-224	Nut - Locking	4	4	4	4	4	4	4	4	4	4	4	4
23	8000-254	Compressor	X											
23	8000-231	Compressor		X										
23	8000-232	Compressor			X									
23	8000-266	Compressor				X								
23	8000-203	Compressor					X							
23	8000-204	Compressor						X						
23	8000-175	Compressor							X					
23	8000-163	Compressor								X				
23	8000-164	Compressor									X			
23	8000-177	Compressor										X		
23	8000-205	Compressor											X	
23	8000-206	Compressor												X
24	5651-137	TXV	X	X	X									
24	5651-138	TXV				X	X	X						
24	5651-102	TXV							X	X	X	X	X	X
25	7051-034	Return Air Grille	X	X	X	X	X	X	X	X	X	X	X	X
26	1804-0106	High Pressure Control	X	X	X	X	X	X	X	X	X	X	X	X
27	7004-009	Air Filter	X	X	X	X	X	X	X	X	X	X	X	X
27	7004-032	Filter 2" Fiberglass (Optional)	X	X	X	X	X	X	X	X	X	X	X	X
27	7004-034	Filter 2" Pleated (Optional)	X	X	X	X	X	X	X	X	X	X	X	X

Continued on Page 9

This Table references Exploded View on Page 7

FUNCTIONAL COMPONENTS

Drawing No.	Part No.	Description	QA241DA	QA241DB	QA241DC	QA301DA	QA301DB	QA301DC	QA361DA	QA361DB	QA361DC	QA421DA	QA421DB	QA421DC
<i>Continued from Page 8</i>														
28	7004-010	Air Filter	X	X	X	X	X	X	X	X	X	X	X	X
28	7004-033	Filter 2" Fiberglass (Optional)	X	X	X	X	X	X	X	X	X	X	X	X
28	7004-035	Filter 2" Pleated (Optional)	X	X	X	X	X	X	X	X	X	X	X	X
29	CMA-16A	Low Pressure Control	X	X	X	X	X	X	X	X	X	X	X	X
30	8625-043	Flow Control	X	X	X	X	X	X	X	X	X	X	X	X
31	5651-146	Check Valve	X	X	X	X	X	X	X	X	X	X	X	X
32	5650-026	3 Way Valve	X	X	X	X	X	X	X	X	X	X	X	X
33	5650-027	3 Way Valve Solenoid	X	X	X	X	X	X	X	X	X	X	X	X
39	1012-315	"U" Clip Fastener	10	10	10	10	10	10	10	10	10	10	10	10
NS	1804-0108	Low Ambient Control	X	X	X	X	X	X	X	X	X	X	X	X
NS	4107-101	Wiring Diagram	X			X			X			X		
NS	4107-201	Wiring Diagram		X			X			X			X	
NS	4107-301	Wiring Diagram			X			X			X			X

These Tables reference Exploded View on Page 7

FUNCTIONAL COMPONENTS

Drawing No.	Part No.	Description	QA481DA	QA481DB	QA481DC	QA601DA	QA601DB	QA601DC
1	5625-0	Distributor	X	X	X	X	X	X
2	900-225-005	Blower Assembly	X	X	X			
2	900-254-001	Blower Assembly				X	X	X
3	3000-1145	Wire Harness High Voltage			X			X
3	3000-1046	Wire Harness High Voltage	X	X		X	X	
4	3000-1205	Wire Harness Low Voltage	X	X	X	X	X	X
5	1171-049	Keylatch/Circuit Breaker Door	X	X	X	X	X	X
6	917-0089	Evaporator Coil Assembly	X	X	X			
6	917-0090	Evaporator Coil Assembly				X	X	X
8	8105-052	Motor			X			X
8	8105-051	Motor	X	X		X	X	
10	8200-001	Motor Mount	X	X	X	X	X	X
11	5151-055	Fan Blade	X	X	X	X	X	X
13	6094-003	Drain Fitting	1	1	1	1	1	1
14	5051-128	Condenser Coil	X	X	X	X	X	X
15	5400-005	Hinge	2	2	2	2	2	2
16	1171-035	Wheel	4	4	4	4	4	4
17	1012-129	Bolt - Shoulder	4	4	4	4	4	4
18	1012-224	Nut - Locking	4	4	4	4	4	4
23	8000-218	Compressor	X					
23	8000-221	Compressor		X				
23	8000-222	Compressor			X			
23	8000-150	Compressor				X		
23	8000-162	Compressor					X	
23	8000-248	Compressor						X
24	5651-103	TXV	X	X	X			
24	5651-163	TXV				X	X	X
25	7051-039	Return Air Grille	X	X	X	X	X	X
26	1804-0106	High Pressure Control	X	X	X	X	X	X
27	7004-009	Air Filter	X	X	X	X	X	X
27	7004-032	Filter 2" Fiberglass (Optional)	X	X	X	X	X	X
27	7004-034	Filter 2" Pleated (Optional)	X	X	X	X	X	X
28	7004-011	Air Filter	X	X	X	X	X	X
28	7004-036	Filter 2" Fiberglass (Optional)	X	X	X	X	X	X
28	7004-037	Filter 2" Pleated (Optional)	X	X	X	X	X	X
29	CMA-16A	Low Pressure Control	X	X	X	X	X	X

Continued on Page 11

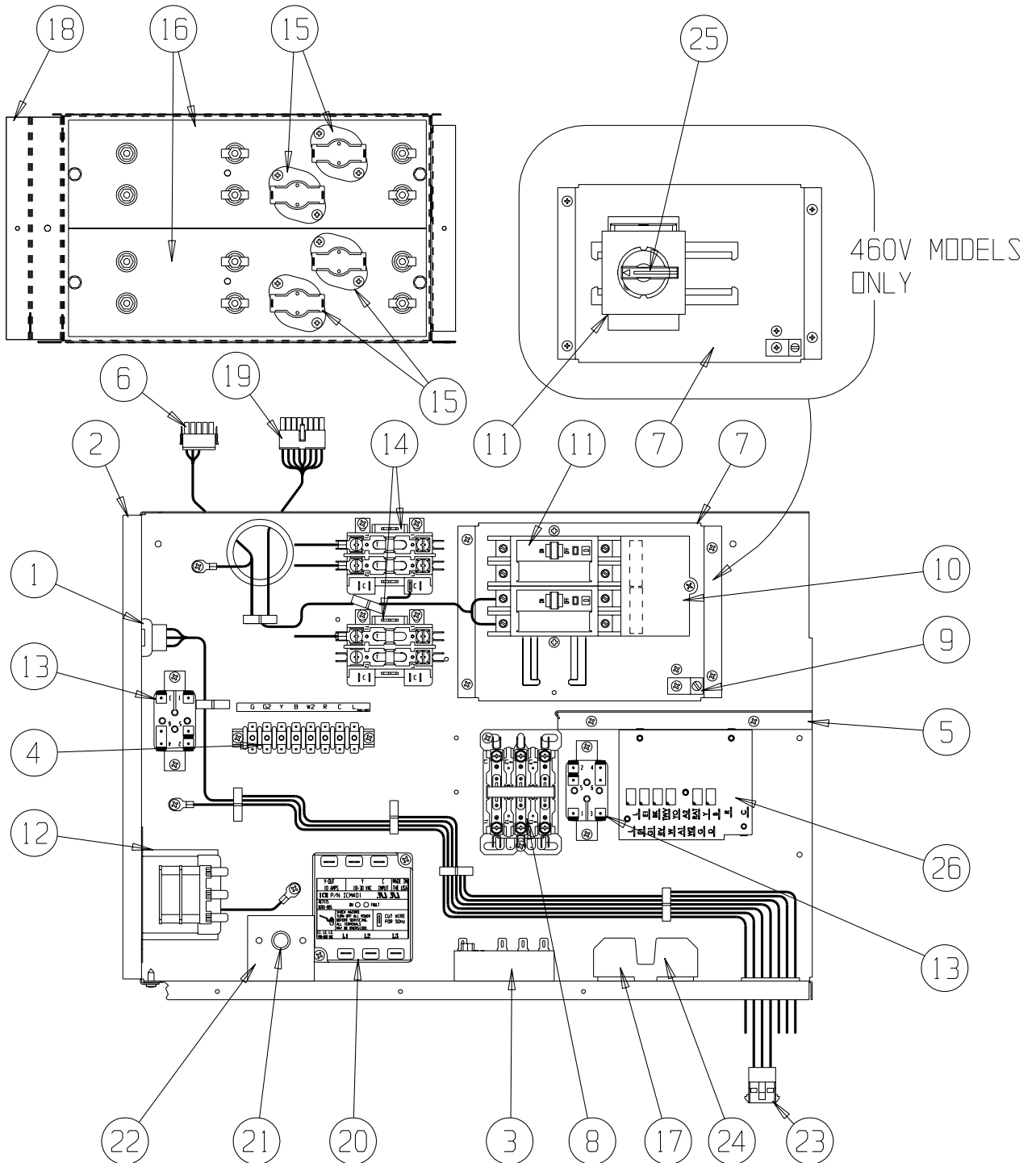
These Tables reference Exploded View on Page 7

FUNCTIONAL COMPONENTS

Drawing No.	Part No.	Description	QA481DA	QA481DB	QA481DC	QA601DA	QA601DB	QA601DC
<i>Continued from Page 10</i>								
30	8625-043	Flow Control	X	X	X	X	X	X
31	5651-146	Check Valve	X	X	X	X	X	X
32	5650-026	3 Way Valve	X	X	X	X	X	X
33	5650-027	3 Way Valve Solenoid	X	X	X	X	X	X
39	1012-315	"U" Clip Fastener	10	10	10	10	10	10
NS	1804-0108	Low Ambient Control	X	X	X	X	X	X
NS	4107-101	Wiring Diagram	X			X		
NS	4107-201	Wiring Diagram		X			X	
NS	4107-301	Wiring Diagram			X			X

These Tables reference Exploded View on Page 7

UPPER CONTROL PANEL COMPONENTS



SEXP-428

This Exploded View is referenced in Tables on pages 13,14,15,16,17 & 18

UPPER CONTROL PANEL COMPONENTS

Drawing No.	Part No.	Description	QA241DA0Z	QA301DA0Z	QA421DA0Z	QA481DA0Z	QA601DA0Z	QA241DA05	QA301DA05	QA421DA05	QA481DA05	QA241DA10	QA301DA10	QA421DA10	QA481DA10	QA60DA10	QA361DA15	QA421DA15	QA481DA15	QA601DA15
1	3000-1211	Wire Set P2	X	X	X	X	X	X	X	X	X	X	X	X	X	X	X	X	X	X
2	117-241	Control Panel	X	X	X	X	X	X	X	X	X	X	X	X	X	X	X	X	X	X
3	8201-088	Compressor Control Module	X	X	X	X	X	X	X	X	X	X	X	X	X	X	X	X	X	X
4	8607-022	Terminal Block	X	X	X	X	X	X	X	X	X	X	X	X	X	X	X	X	X	X
5	116-242	Box Partition	X	X	X	X	X	X	X	X	X	X	X	X	X	X	X	X	X	X
6	3000-1046	Wire Set Motor HV	X	X	X	X	X	X	X	X	X	X	X	X	X	X	X	X	X	X
7	126-267	Circuit Breaker Base	X	X	X	X	X	X	X	X	X	X	X	X	X	X	X	X	X	X
8	8401-007	Contactor	X	X	X	X	X	X	X	X	X	X	X	X	X	X	X	X	X	X
8	8401-016	Contactor	X	X	X	X	X	X	X	X	X	X	X	X	X	X	X	X	X	X
9	8611-006	Ground Lug	X	X	X	X	X	X	X	X	X	X	X	X	X	X	X	X	X	X
10	8615-047	Jumper Bar Base																		
11	8615-039	Circuit Breaker 2 Pole 25A Ckt B	X																	
11	8615-037	Circuit Breaker 2 Pole 30A Ckt A		X																
11	8615-038	Circuit Breaker 2 Pole 35A Ckt A			X															
11	8615-055	Circuit Breaker 2 Pole 40A Ckt A				X														
11	8615-039	Circuit Breaker 2 Pole 45A Ckt A					X													
11	8615-040	Circuit Breaker 2 Pole 50A Ckt A						X												
11	8615-041	Circuit Breaker 2 Pole 60A Ckt A							X											
12	8407-035	Transformer	X	X	X	X	X	X	X	X	X	X	X	X	X	X	X	X	X	X
13	8201-062	Relay	X	X	X	X	X	X	X	X	X	X	X	X	X	X	X	X	X	X

Continued on Page 14

This Table references Exploded View on Page 12

UPPER CONTROL PANEL COMPONENTS

Drawing No.	Part No.	Description	QA241DA02	QA301DA02	QA421DA02	QA481DA02	QA601DA02	QA241DA05	QA301DA05	QA421DA05	QA481DA05	QA241DA10	QA301DA10	QA361DA10	QA421DA10	QA481DA10	QA601DA10	QA361DA15	QA421DA15	QA481DA15	QA601DA15	
14	8401-006	Contactors 2 Pole 20A						X	X	X	X	X					X					
15	8402-100	Limits						X	X	X	X											
15	8402-131	Limits						X	X	X	X											
16	8604-103	Heat Strip 5KW						X	X	X	X											
16	8604-104	Heat Strip 10KW						X	X	X	X											
18	116-191	Heat Strip Wrapper	X	X	X	X	X	X	X	X	X											
19	3000-1206	Wire Harness Motor LV	X	X	X	X	X	X	X	X	X											
21	8611-094	Indicator Light	X	X	X	X	X	X	X	X	X											
22	112-225	Bracket	X	X	X	X	X	X	X	X	X											
23	3000-1173	Wire Set	X	X	X	X	X	X	X	X	X											
26	8201-092	Relay Logic Board	X	X	X	X	X	X	X	X	X											
NS	132-145	Heat Strip Cover						X	X	X	X											
NS	4108-100	Wiring Diagram	X	X	X	X	X															
NS	4108-101	Wiring Diagram						X	X	X	X											
NS	4108-102	Wiring Diagram																				
NS	4108-103	Wiring Diagram																				

Continued from Page 13

NS = Not Shown

This Table references Exploded View on Page 12

UPPER CONTROL PANEL COMPONENTS

Drawing No.	Part No.	Description	QA241DB0Z	QA301DB0Z	QA421DB0Z	QA481DB0Z	QA601DB0Z	QA241DB06	QA301DB06	QA361DB06	QA421DB06	QA481DB06	QA241DB09	QA301DB09	QA361DB09	QA421DB09	QA481DB09	QA602DB09	QA301DB12	QA361DB15	QA421DB15	QA481DB15	QA602DB15	
1	3000-1211	Wire Set P2	X	X	X	X	X	X	X	X	X	X	X	X	X	X	X	X	X	X	X	X	X	X
2	116-241	Control Panel	X	X	X	X	X	X	X	X	X	X	X	X	X	X	X	X	X	X	X	X	X	X
3	8201-088	Compressor Control Module	X	X	X	X	X	X	X	X	X	X	X	X	X	X	X	X	X	X	X	X	X	X
4	8607-022	Terminal Block	X	X	X	X	X	X	X	X	X	X	X	X	X	X	X	X	X	X	X	X	X	X
5	116-242	Box Partition	X	X	X	X	X	X	X	X	X	X	X	X	X	X	X	X	X	X	X	X	X	X
6	3000-1046	Wire Set Motor HV	X	X	X	X	X	X	X	X	X	X	X	X	X	X	X	X	X	X	X	X	X	X
7	126-267	Circuit Breaker Base	X	X	X	X	X	X	X	X	X	X	X	X	X	X	X	X	X	X	X	X	X	X
8	8401-002	Contact	X	X	X	X	X	X	X	X	X	X	X	X	X	X	X	X	X	X	X	X	X	X
9	8611-006	Ground Lug	X	X	X	X	X	X	X	X	X	X	X	X	X	X	X	X	X	X	X	X	X	X
11	8615-054	Circuit Breaker 3 Pole 20A	X	X																				
11	8615-051	Circuit Breaker 3 Pole 25A							X															
11	8615-052	Circuit Breaker 3 Pole 30A								X														
11	8615-042	Circuit Breaker 3 Pole 35A									X													
11	8615-044	Circuit Breaker 3 Pole 45A										X												
11	8615-046	Circuit Breaker 3 Pole 60A											X											
12	8407-035	Transformer	X	X	X	X	X	X	X	X	X	X	X	X	X	X	X	X	X	X	X	X	X	X
14	8401-006	Contact 2 Pole 20A							X	X	X	X	X	X	X	X	X	X	X	X	X	X	X	X
13	8201-062	Relay	X	X	X	X	X	X	X	X	X	X	X	X	X	X	X	X	X	X	X	X	X	X

Continued on Page 16

This Table references Exploded View on Page 12

UPPER CONTROL PANEL COMPONENTS

Drawing No.	Part No.	Description	QA241DB02	QA301DB02	QA421DB02	QA601DB02	QA241DB06	QA301DB06	QA361DB06	QA421DB06	QA481DB06	QA241DB09	QA301DB09	QA361DB09	QA421DB09	QA481DB09	QA602DB09	QA301DB12	QA361DB15	QA421DB15	QA481DB15	QA602DB15			
15	8402-100	Limits																							
15	8402-131	Limits																							
16	8604-105	Heat Strip 6KW																							
16	8604-106	Heat Strip 9KW																							
18	161-191	Heat Strip Wrapper	X	X	X	X	X	X	X	X	X	X	X	X	X	X	X	X	X	X	X	X	X	X	X
19	3000-1206	Wire Harness Motor LV	X	X	X	X	X	X	X	X	X	X	X	X	X	X	X	X	X	X	X	X	X	X	X
20	8201-085	Phase Monitor	X	X	X	X	X	X	X	X	X	X	X	X	X	X	X	X	X	X	X	X	X	X	X
21	8611-094	Indicator Light	X	X	X	X	X	X	X	X	X	X	X	X	X	X	X	X	X	X	X	X	X	X	X
22	112-225	Bracket	X	X	X	X	X	X	X	X	X	X	X	X	X	X	X	X	X	X	X	X	X	X	X
23	3000-1173	Wire Set PL3	X	X	X	X	X	X	X	X	X	X	X	X	X	X	X	X	X	X	X	X	X	X	X
26	8201-092	Relay Logic Board	X	X	X	X	X	X	X	X	X	X	X	X	X	X	X	X	X	X	X	X	X	X	X
NS	132-145	Heat Strip Cover																							
NS	4108-200	Wiring Diagram	X	X	X	X	X	X	X	X	X	X	X	X	X	X	X	X	X	X	X	X	X	X	X
NS	4108-201	Wiring Diagram																							
NS	4108-202	Wiring Diagram																							

Continued from Page 15

NS = Not Shown

This Table references Exploded View on Page 12

UPPER CONTROL PANEL COMPONENTS

Drawing No.	Part No.	Description	QA243DC0Z	QA302DC0Z	QA422DC0Z	QA482DC0Z	QA602DC0Z	QA243DC06	QA302DC06	QA362DC06	QA422DC06	QA482DC06	QA243DC09	QA302DC09	QA362DC09	QA422DC09	QA482DC09	QA302DC09	QA302DC12	QA362DC15	QA422DC15	QA482DC15	QA602DC15
1	3000-1211	Wire Set P2	X				X												X	X	X	X	X
2	116-241	Control Panel	X				X												X	X	X	X	X
3	8201-088	Compressor Control Module	X				X												X	X	X	X	X
4	8607-022	Terminal Block	X				X												X	X	X	X	X
5	116-242	Box Partition	X				X												X	X	X	X	X
6	3000-1145	Wire Harness Motor HV	X				X												X	X	X	X	X
7	126-363	Circuit Breaker Base	X				X												X	X	X	X	X
8	8401-002	Contactors	X				X												X	X	X	X	X
9	8611-006	Ground Lug	X				X												X	X	X	X	X
11	8615-068	Rotary Disconnect	X				X												X	X	X	X	X
12	8407-042	Transformer	X				X												X	X	X	X	X
13	8201-062	Relay	X				X												X	X	X	X	X
14	8401-002	Contactors 3 Pole	X				X												X	X	X	X	X
15	8402-100	Limits																					
15	8402-131	Limits																					
16	8604-107	Heat Strip 6KW 480V																					
16	8604-108	Heat Strip 9KW 480V																					
17	8614-041	Fuse Holder																					
18	116-191	Heat Strip Wrapper	X				X												X	X	X	X	X

Continued on Page 18

This Table references Exploded View on Page 12

UPPER CONTROL PANEL COMPONENTS

Drawing No.	Part No.	Description	QA243DC02	QA302DC02	QA482DC02	QA602DC02	QA243DC06	QA302DC06	QA422DC06	QA362DC06	QA482DC06	QA243DC09	QA302DC09	QA422DC09	QA482DC09	QA602DC09	QA302DC12	QA362DC15	QA422DC15	QA482DC15	QA602DC15
19	3000-1206	Wire Harness Motor LV		X	X	X		X			X			X			X	X	X	X	
20	8201-085	Phase Monitor	X	X	X	X		X			X			X			X	X	X	X	
21	8611-094	Indicator Light	X	X	X	X		X			X			X			X	X	X	X	
22	112-225	Bracket	X	X	X	X		X			X			X			X	X	X	X	
23	3000-1173	Wire Set PL3	X	X	X	X		X			X			X			X	X	X	X	
24	8614-042	Fuses Class CC 7A ①																			X
24	8614-046	Fuses Class CC 5A ②		X	X	X		X			X			X			X	X	X	X	X
24	8614-017	Fuses Class CC 3.2A ③	X	X	X	X		X			X			X			X	X	X	X	X
25	8615-071	Disconnect Handle	X	X	X	X		X			X			X			X	X	X	X	X
26	8201-092	Relay Logic Board	X	X	X	X		X			X			X			X	X	X	X	X
NS	8407-052	Transformer Stepdown 1.0 KVA	X	X	X	X		X			X			X			X	X	X	X	X
NS	8407-053	Transformer Stepdown 1.5 KVA		X	X	X		X			X			X			X	X	X	X	X
NS	8407-054	Transformer Stepdown 2.0 KVA		X	X	X		X			X			X			X	X	X	X	X
NS	132-145	Heat Strip Cover									X			X			X	X	X	X	X
NS	4108-300	Wiring Diagram	X	X	X	X		X			X			X			X	X	X	X	X
NS	4108-301	Wiring Diagram									X			X			X	X	X	X	X
NS	4108-302	Wiring Diagram									X			X			X	X	X	X	X

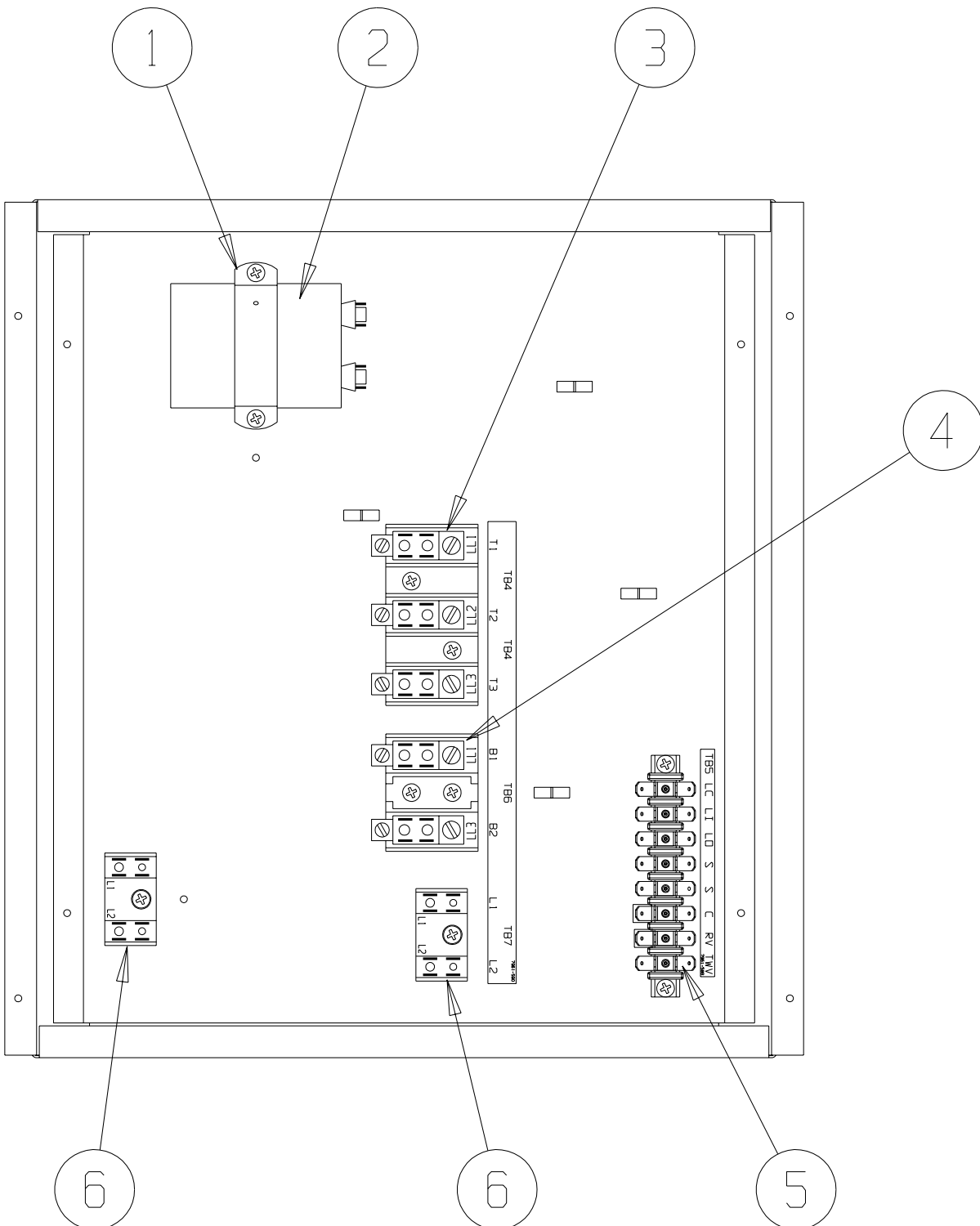
Continued from Page 17

- ① 7 Amp fuses used with 2.0 KVA transformer.
- ② 5 Amp fuses used with 1.5 KVA transformer.
- ③ 3.2 Amp fuses used with 1KVA transformer.

NS = Not Shown

This Table references Exploded View on Page 12

LOWER CONTROL PANEL COMPONENTS



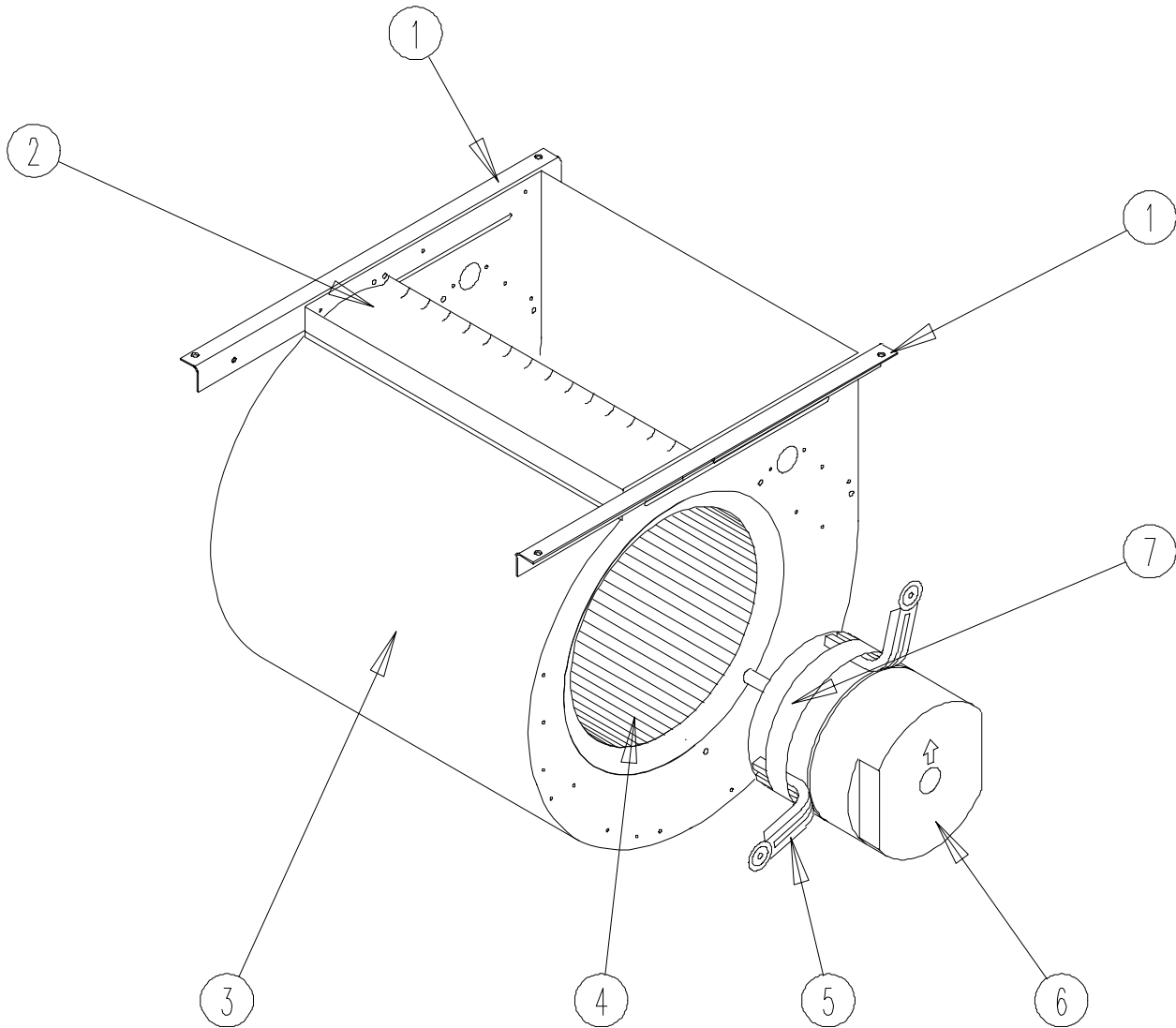
SEXP-424

LOWER CONTROL PANEL COMPONENTS

Drawing No.	Part No.	Description	QA241DA	QA301DA	QA361DA	QA421DA	QA481DA	QA601DA	QA241DB QA301DB QA361DB QA421DB QA481DB QA601DB	QA241DC QA301DC QA361DC QA421DC QA481DC QA601DC
1	8552-008	Capacitor Strap	X	X	X	X	X	X		
1	8552-003	Capacitor Strap							X	X
2	8552-002	Fan Capacitor							X	X
2	8552-048	Compressor Capacitor	X	X						
2	8552-063	Compressor Capacitor			X					
2	8552-062	Compressor Capacitor				X	X			
2	8552-076	Compressor Capacitor						X		
3	8607-014	Terminal Block 3 Ter							X	X
4	8607-013	Terminal Block 2 Ter	X	X	X	X	X	X		X
5	8607-022	Terminal Block 8 Pos	X	X	X	X	X	X	X	X
6	8607-017	Terminal Block 2 Ter	X	X	X	X	X	X	X	2

① Optional on standard models. Standard on low ampacity models.

BLOWER ASSEMBLY COMPONENTS

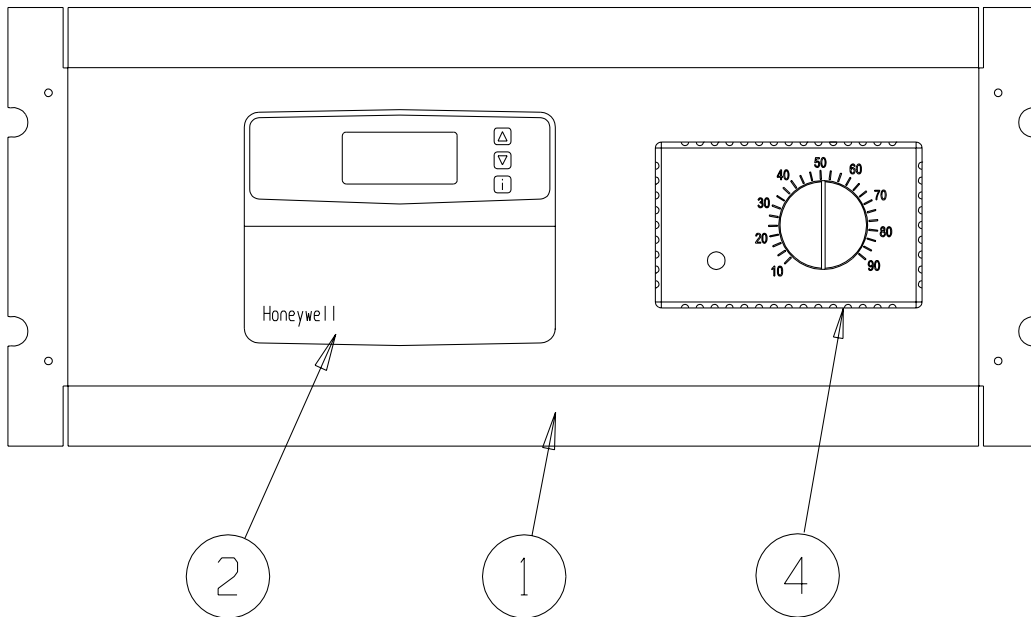
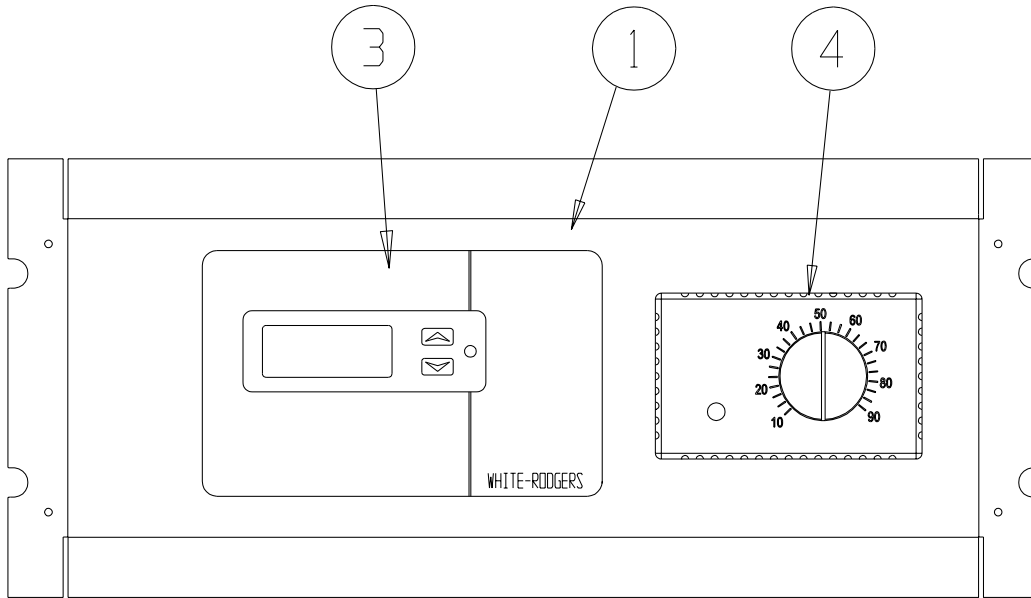


SEXP-245

BLOWER ASSEMBLY COMPONENTS

Drawing No.	Part No.	Description	900-225-001	900-225-002	900-225-004	900-225-005	900-254-001
1	104-980	Blower Angle	2	2	2	2	2
2	144-131	Diffuser	X	X	X	X	X
3	151-110	Blower Housing	X	X	X	X	X
4	5152-061	Blower Wheel	X	X	X	X	X
5	8200-034	Motor Mount Arm	3	3	3	3	3
6	8106-035-0003	Motor	X				
6	8106-035-0004	Motor		X			
6	8106-035-0005A	Motor			X		
6	8106-035-0013	Motor				X	
6	8107-009-0024	Motor					X
7	8200-033	Motor Mount Band	X	X	X	X	X

OPTIONAL CLIMATE CONTROLS



SEXP-426

OPTIONAL CLIMATE CONTROLS

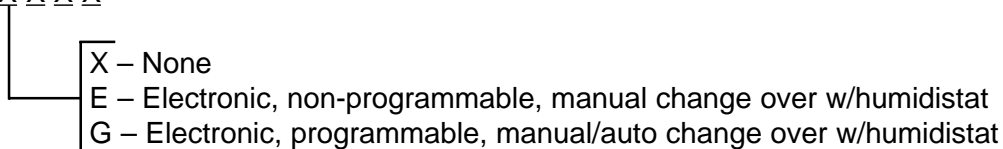
Drawing No.	Part No.	Description	QA241D, QA301D QA361D, QA421D			QA481D, QA601D		
			Option X	Option E	Option G	Option X	Option E	Option G
1	S127-313-* ①	Thermostat Plate	X			X		
1	S127-314-* ①	Thermostat Plate		X	X		X	X
2	8403-050	Electronic / Non-Programmable / Manual / Auto Change Over			X			X
3	8403-049	Electronic / Programmable / Manual / Auto Change Over		X			X	
4	8403-047	Humidistat		X	X		X	X
NS	3000-1207	Wire Harness, Low Voltage Terminal Strip to PL2	X			X		
NS	3000-1208	Wire Harness, Thermostat to PL2		X			X	
NS	3000-1209	Wire Harness, Thermostat to PL2			X			X
NS	8607-024	Low Voltage Terminal Strip	X	X		X	X	
NS	4102-043	Wiring Diagram	X			X		
NS	4102-045	Wiring Diagram		X			X	
NS	4102-044	Wiring Diagram			X			X

① Exterior cabinet parts are manufactured with various color options. To insure that you receive the proper color, you must include the complete models and serial number of the unit for which parts are being ordered.

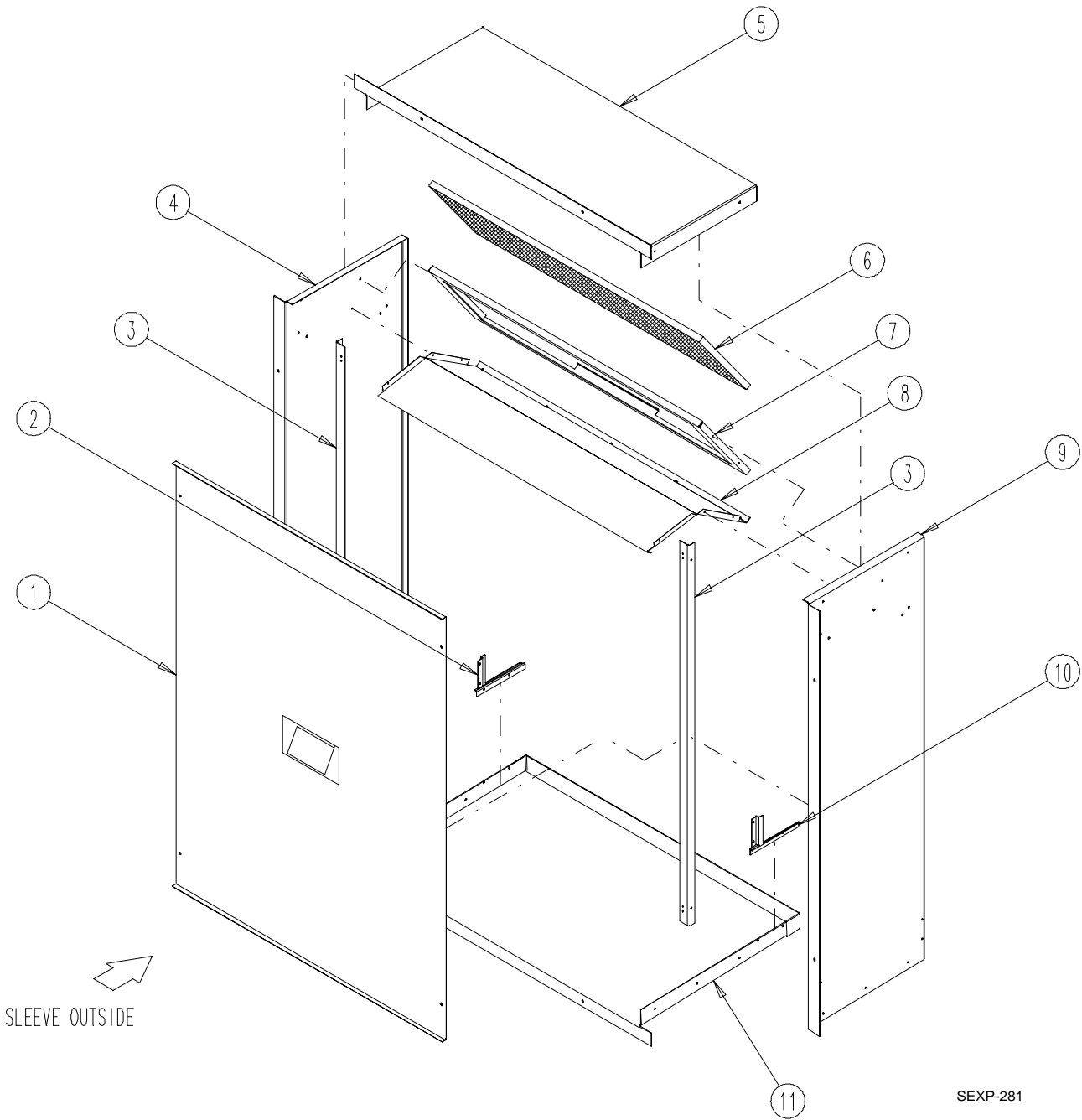
NS Not Shown

CLIMATE CONTROL OPTION NOMENCLATURE AS SHOWN IN UNIT MODEL NUMBER

QA 361 - A 09 X X X X X X



WALL SLEEVE CABINET COMPONENTS



SEXP-281

WALL SLEEVE CABINET COMPONENTS

Drawing No.	Part No.	Description	QWS42	QWS42-16	QWS48	QWS48-16
1	142-056	Cover	X	X		
1	142-068	Cover			X	X
2	136Y361	Left Side Seal Angle	X	X	X	X
3	104-988	Angle	2	2	2	2
4	110Y045	Left Side	X		X	
4	110Y048	Left Side		X		X
5	110-047	Top	X			
5	110-050	Top		X		
5	110-056	Top			X	
5	110-070	Top				X
6	7003-044	Mist Eliminator	X	X	X	X
7	130-120	Filter Tray	X	X		
7	130-128	Filter Tray			X	X
8	120-305	Partition	X			
8	120-309	Partition		X		
8	120-322	Partition			X	
8	120-348	Partition				X
9	110X045	Right Side	X		X	
9	110X048	Right Side		X		X
10	136X361	Right Side Seal Angle	X	X		
10	136-404	Right Side Seal Angle			X	X
11	111-046	Base	X			
11	111-049	Base		X		
11	111-055	Base			X	
11	111-071	Base				X