
REPLACEMENT PARTS MANUAL

WALL MOUNTED PACKAGE HEAT PUMPS

Models: **WH422D**
WH484D
WH603D

General Notes

- Revised and/or additional pages may be issued from time to time.
- A complete and current manual consists of pages shown in the following contents section.

Important

- Contact the installing and/or local Bard distributor for all parts requirements. Make sure you have the complete model and serial number available from the unit rating plate.

Contents

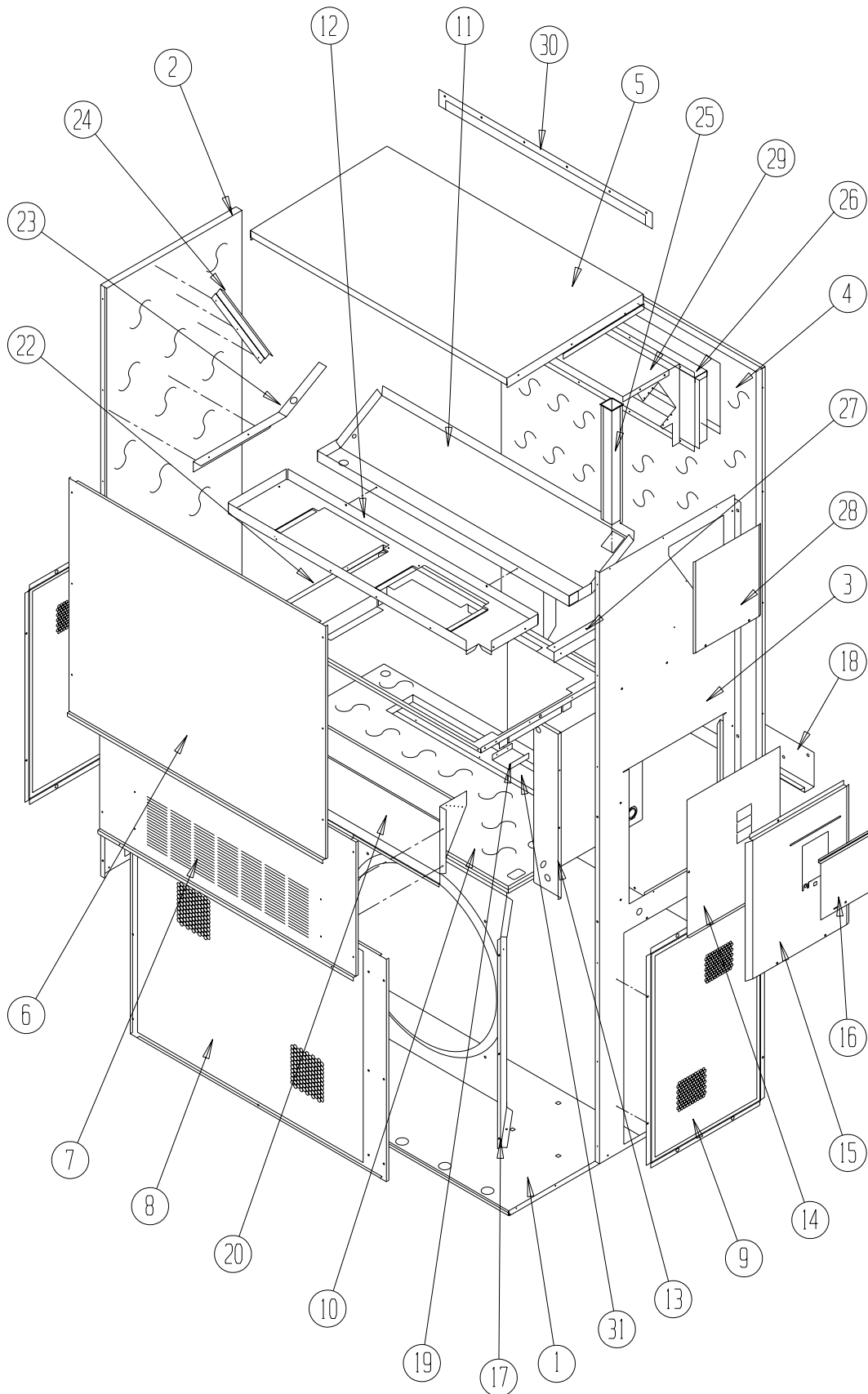
| Description | Page |
|-----------------------|------|
| Cabinet Components | |
| ♦ Exploded View | 1 |
| ♦ Usage List | 2 |
| Functional Components | |
| ♦ Exploded View | 3 |
| ♦ Usage List | 4 |
| Control Panel | |
| ♦ Layout View | 5 |
| ♦ Usage List | 6 |
| Blower Housing | |
| ♦ Exploded View | 7 |
| ♦ Usage List | 7 |



BARD MANUFACTURING COMPANY
Bryan, Ohio 43506
Since 1914...Moving ahead, just as planned.

Manual: 2110-555B
Supersedes: 2110-555A
File: Tab 17
Date: 09-09-04

CABINET COMPONENTS



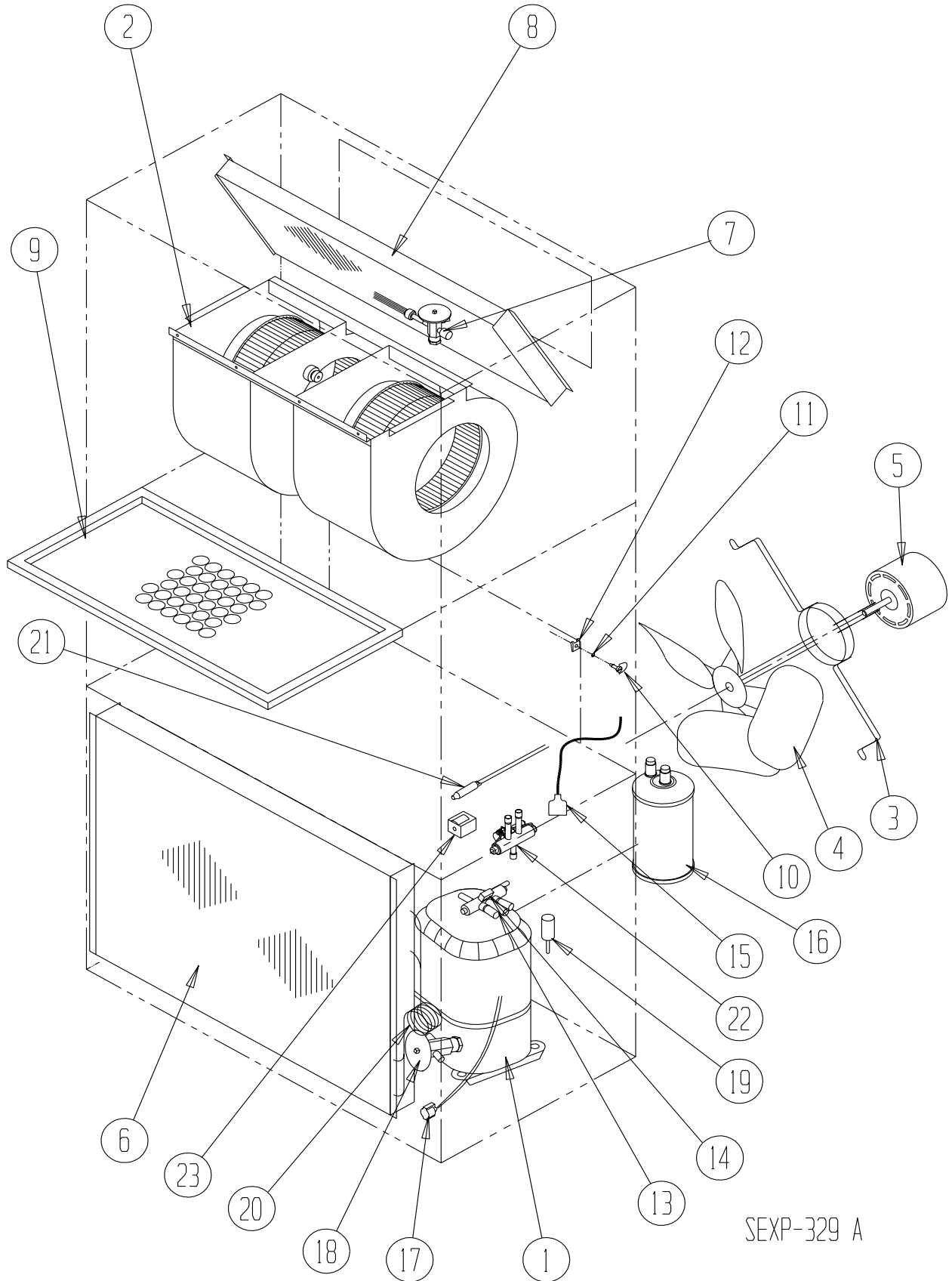
SEXP-175

CABINET COMPONENTS

| Drawing No. | Part No. | Description | WH422DA, DB | WH422DC | WH484DA, DB | WH484DC | WH603DA, B | WH603DC |
|-------------|-------------------------|--------------------------------|-------------|---------|-------------|---------|------------|---------|
| 1 | S127-214 | Lower Base | X | X | X | X | X | X |
| 2 | S500-262-* ^① | Left Side | X | X | X | X | X | X |
| 3 | S500-261-* ^① | Right Side | X | X | X | X | X | X |
| 4 | S508-098 | Back | X | X | X | X | X | X |
| 5 | S506-142-* ^① | Top | X | X | X | X | X | X |
| 6 | S514-077-* ^① | Upper Front | X | X | X | X | X | X |
| 7 | S552-224-* ^① | Service Door | X | X | X | X | X | X |
| 8 | 118-049-* ^① | Condenser Grille | X | X | X | X | X | X |
| 9 | 118-057-* ^① | Side Grille | 2 | 2 | 2 | 2 | 2 | 2 |
| 10 | S521X258 | Condenser Partition | X | X | X | X | X | X |
| 11 | 123-083 | Drain Pan | X | X | X | X | X | X |
| 12 | 121X216 | Blower Partition | X | X | X | X | X | X |
| 13 | Control Panel Assy | See Control Panel Assembly Dwg | X | X | X | X | X | X |
| 14 | S133-114 | Control Panel Cover (Inner) | X | | X | | X | |
| 14 | S133-115 | Control Panel Cover (Inner) | | X | | X | | X |
| 15 | S533-113-* ^① | Control Panel Cover (Outer) | X | X | X | X | X | X |
| 16 | S153-218-* ^① | Disconnect Access Door | X | X | X | X | X | X |
| 17 | 125-024 | Fan Shroud | X | X | X | X | X | X |
| 18 | 113-140 | Bottom Mounting Bracket | X | X | X | X | X | X |
| 19 | 137-209 | Fill | X | X | X | X | X | X |
| 20 | BFAD-5 | Fresh Air Damper Assembly | X | X | X | X | X | X |
| 22 | 131X099 | Filter Tray | X | X | X | X | X | X |
| 23 | 105X877 | Left Side Support | X | X | X | X | X | X |
| 24 | 147-046-* ^① | Left Evaporator Support | X | X | X | X | X | X |
| 25 | 135-128 | Raceway | X | X | X | X | X | X |
| 26 | 111X034 | Outlet Airframe Assembly | X | X | X | X | X | X |
| 27 | 105X878 | Right Side Support | X | X | X | X | X | X |
| 28 | 143-042-* ^① | Right Side Cover Plate (Outer) | X | X | X | X | X | X |
| 29 | 135-129 | Heat Shield | X | X | X | X | X | X |
| 30 | 113-150-* ^① | Top Rain Flashing | X | X | X | X | X | X |
| 31 | 536-258 | Blank Off Plate | X | X | X | X | X | X |

① Exterior cabinet parts are manufactured with various paint color options. To insure that you receive the proper paint color, you must include the complete model and serial number of the unit for which cabinet parts are being ordered.

FUNCTIONAL COMPONENTS



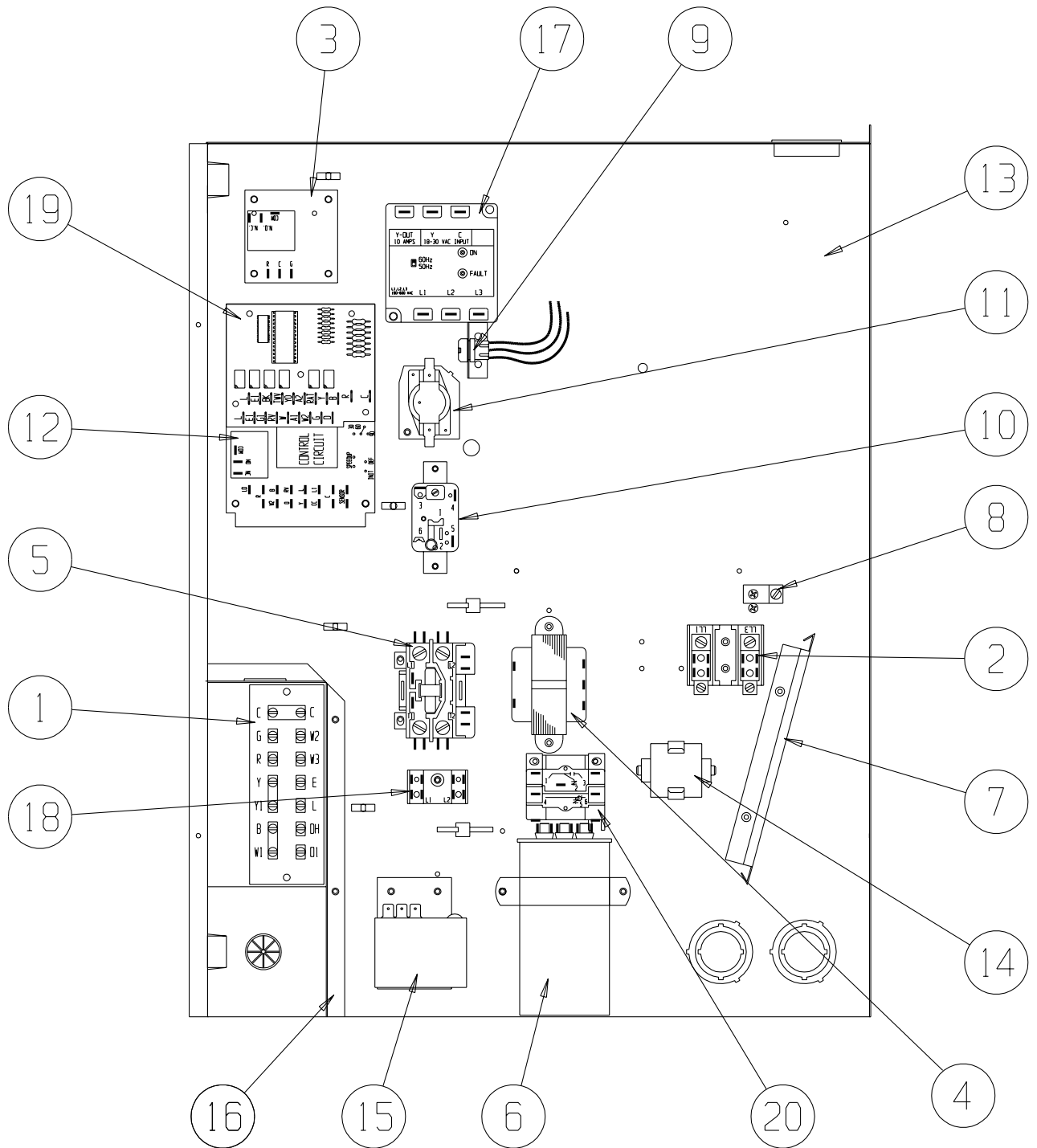
SEXP-329 A

FUNCTIONAL COMPONENTS

| Drawing No. | Part No. | Description | WH422DA | WH422DB | WH422DC | WH484DA | WH484DB | WH484DC | WH603DA | WH603DB | WH603DC |
|-------------|-----------|---|---------|---------|---------|---------|---------|---------|---------|---------|---------|
| 1 | 8000-126 | Compressor | X | | | | | | | | |
| 1 | 8000-127 | Compressor | | X | | | | | | | |
| 1 | 8000-128 | Compressor | | | X | | | | | | |
| 1 | 8000-236 | Compressor | | | | X | | | | | |
| 1 | 8000-221 | Compressor | | | | | X | | | | |
| 1 | 8000-222 | Compressor | | | | | | X | | | |
| 1 | 8000-153 | Compressor | | | | | | | X | | |
| 1 | 8000-154 | Compressor | | | | | | | | X | |
| 1 | 8000-155 | Compressor | | | | | | | | | X |
| 2 | S900-183 | Blower Assembly | X | X | | X | X | | | | |
| 2 | S900-184 | Blower Assembly | | | X | | | X | | | |
| 2 | S900-185 | Blower Assembly | | | | | | | X | X | |
| 2 | S900-186 | Blower Assembly | | | | | | | | | X |
| 3 | 8202-004 | Fan Motor Mount | X | X | X | X | X | X | X | X | X |
| 4 | 5151-027 | Fan Blade | X | X | X | X | X | X | X | X | X |
| 5 | 8105-039 | Condenser Motor | X | X | | X | X | | X | X | |
| 5 | 8105-030 | Condenser Motor | | | X | | | X | | | X |
| 6 | 5051-117 | Condenser Coil | X | X | X | | | | | | |
| 6 | 5051-075 | Condenser Coil | | | | X | X | X | | | |
| 6 | 5051-077 | Condenser Coil | | | | | | | X | X | X |
| 7 | 5651-158 | TXV – Cooling | X | X | X | | | | | | |
| 7 | 5651-102 | TXV – Cooling | | | | X | X | X | | | |
| 7 | 5651-103 | TXV– Cooling | | | | | | | X | X | X |
| 8 | 917-0042 | Evaporator Coil Assembly | X | X | X | X | X | X | | | |
| 8 | 917-0049 | Evaporator Coil Assembly | | | | | | | X | X | X |
| 9 | 7004-016 | Air Filter 1" Throwaway | X | X | X | X | X | X | X | X | X |
| 9 | 7004-030 | Air Filter 1" Washable | X | X | X | X | X | X | X | X | X |
| 9 | 7004-027 | Air Filter 2" Pleated | X | X | X | X | X | X | X | X | X |
| 10 | 1171-022 | 1/4" Turn Fastener | X | X | X | X | X | X | X | X | X |
| 11 | 1171-024 | 1/4" Turn Retainer | X | X | X | X | X | X | X | X | X |
| 12 | 1171-023 | 1/4" Receptacle | X | X | X | X | X | X | X | X | X |
| 13 | 5650-039 | Reversing Valve | X | X | X | | | | | | |
| 13 | 5650-040 | Reversing Valve | | | | X | X | X | | | |
| 13 | 5650-041 | Reversing Valve | | | | | | | X | X | X |
| 14 | 5650-042 | Rev. Valve Solenoid, Red Casing (Ranco) | X | X | X | X | X | X | X | X | X |
| 14 | 5650-043 | Rev. Valve Solenoid, Black Casing (Wilspec) | X | X | X | X | X | X | X | X | X |
| 15 | 5650-037 | Molded Plug 36" Lead | 2 | 2 | 2 | 2 | 2 | 2 | 2 | 2 | 2 |
| 16 | 5202-011 | Accumulator | X | X | X | | | | | | |
| 17 | 8408-027 | Defrost Sensor | X | X | X | X | X | X | X | X | X |
| 18 | 5651-102 | TXV – Heating | | | | X | X | X | | | |
| 18 | 5651-103 | TXV – Heating | | | | | | | X | X | X |
| 19 | 8406-055 | High Pressure Switch (Solder) | X | X | X | X | X | X | X | X | X |
| 20 | 800-0210 | Heating Distributor Assembly | | | | X | X | X | | | |
| 20 | 800-0296 | Heating Distributor Assembly | X | X | X | | | | | | |
| 20 | 800-0211 | Heating Distributor Assembly | | | | | | | X | X | X |
| 21 | 800-0297 | Drain Back Assembly | X | X | X | | | | | | |
| 21 | 800-0300 | Drain Back Assembly | | | | X | X | X | | | |
| 21 | 800-0299 | Drain Back Assembly | | | | | | | X | X | X |
| 22 | 5650-036 | Three Way Valve | X | X | X | X | X | X | | | |
| 23 | 5650-043 | Solenoid Coil | X | X | X | X | X | X | X | X | X |
| NS | 8605-005 | Crاندcase Heater | X | X | X | | | | | | |
| NS | 1804-0106 | High Press. Switch (Flare) (Opt.) | X | X | X | X | X | X | X | X | X |
| NS | 1804-0107 | Low Press. Switch (Flare) (Opt.) | X | X | X | X | X | X | X | X | X |
| NS | CMA-6 | Low Ambient Ctrl. (Flare) (Opt.) | X | X | X | X | X | X | X | X | X |

NS = Not Shown

CONTROL PANEL COMPONENTS



SEXP-398

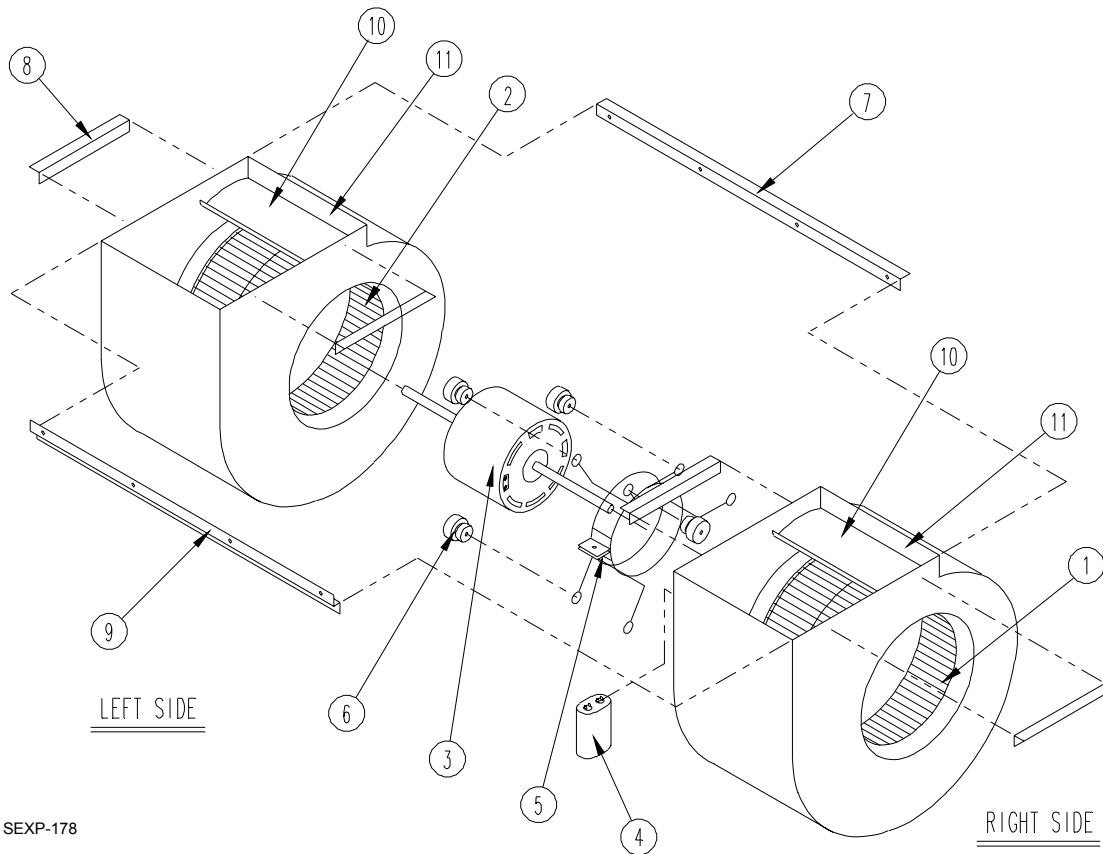
CONTROL PANEL COMPONENTS

| Drawing No. | Part No. | Description | WH422DA | WH422DB | WH422DC | WH484DA | WH484DB | WH484DC | WH603DA | WH603DB | WH603DC |
|-------------|-----------|------------------------------|---------|---------|---------|---------|---------|---------|---------|---------|---------|
| 1 | 8607-019 | Low Voltage Terminal Strip | X | X | X | X | X | X | X | X | X |
| 2 | 8607-013 | Terminal Block 2 Pole | X | | | X | | | X | | |
| 2 | 8607-014 | Terminal Block 3 Pole | | X | X | | X | X | | X | X |
| 2 | 8607-015 | Phenolic Insulator | | | X | | X | X | | | X |
| 3 | 8201-056 | Blower Control | X | X | | X | X | | X | X | |
| 3 | 8201-032 | Blower Relay | | | X | | | X | | | X |
| 4 | 8407-048 | Transformer | X | X | | X | X | | X | X | |
| 4 | 8407-050 | Transformer | | | X | | | X | | | X |
| 5 | 8401-007 | Compressor Contactor | X | | | | | | | | |
| 5 | 8401-002 | Compressor Contactor | | X | X | | X | X | | X | X |
| 5 | 8401-016 | Compressor Contactor | | | | X | | | X | | |
| 6 | 8552-005 | Outdoor Motor Capacitor | | X | | | X | | | X | |
| 6 | 8552-055 | Compressor Capacitor | X | | | | | | | | |
| 6 | 8552-026 | Outdoor Motor Capacitor | | | X | | | X | | | X |
| 6 | 8552-072 | Compressor Capacitor | | | | X | | | | | |
| 6 | 8552-058 | Compressor Capacitor | | | | | | | X | | |
| 7 | 135-130 | Wire Shield | X | X | X | X | X | X | X | X | X |
| 8 | 8611-006 | Ground Terminal | X | X | X | X | X | X | X | X | X |
| 9 | 3000-1167 | Wire Harness | X | X | X | X | X | X | X | X | X |
| 10 | 8201-009 | Low Ambient Bypass Relay ① | X | X | X | X | X | X | X | X | X |
| 11 | 8201-065 | Low Pressure Bypass TDR ① | X | X | X | X | X | X | X | X | X |
| 12 | 8201-101 | Heat Pump Control Board | X | X | X | X | X | X | X | X | X |
| 13 | 117X229 | Control Panel | X | X | X | X | X | X | X | X | X |
| 14 | 8551-005 | Start Device | X | | | X | | | X | | |
| 15 | 8408-037 | Return Air Thermostat | X | X | X | X | X | X | X | X | X |
| 16 | 117X139 | Low Voltage Box | X | X | X | X | X | X | X | X | X |
| 17 | 8201-085 | Phase Monitor | | | | | X | X | | X | X |
| 18 | 8607-017 | Terminal Block ① | X | X | X | X | X | X | X | X | X |
| 19 | 8201-092 | Dehumidification Logic Board | X | X | X | X | X | X | X | X | X |
| 20 | 8201-032 | Outdoor Fan Relay | | | X | | | X | | | X |
| NS | 4096-130 | Wiring Diagram | X | | | | | | | | |
| NS | 4096-131 | Wiring Diagram | | | | X | | | X | | |
| NS | 4096-231 | Wiring Diagram | | X | | | | | | | |
| NS | 4096-232 | Wiring Diagram | | | | | X | | | X | |
| NS | 4096-332 | Wiring Diagram | | | X | | | | | | |
| NS | 4096-333 | Wiring Diagram | | | | | | X | | | X |

NS = Not Shown

① = Optional

BLOWER ASSEMBLY



SEXP-178

| Dwg. No. | Part No. | Description | 900-183 | 900-184 | 900-185 | 900-186 |
|----------|----------|------------------------|---------|---------|---------|---------|
| 1 | 5152-011 | 10 Inch Wheel (CW) | | | X | X |
| 1 | 5152-057 | 9 Inch Wheel (CW) | X | X | | |
| 2 | 5152-012 | 10 Inch Wheel (CCW) | | | X | X |
| 2 | 5152-058 | 9 Inch Wheel (CCW) | X | X | | |
| 3 | 8106-030 | Blower Motor (230/208) | X | | X | |
| 3 | 8106-025 | Blower Motor (460) | | X | | X |
| 4 | 8552-005 | Capacitor | X | X | X | X |
| 5 | 8200-040 | Motor Mount | X | X | X | X |
| 6 | 5451-011 | Grommets | 6 | 6 | 6 | 6 |
| 7 | 105-881 | Back Brace | X | X | X | X |
| 8 | 105-880 | Side Angle | 4 | 4 | 4 | 4 |
| 9 | 103-389 | Front Brace | X | X | X | X |
| 10 | 151-101 | Housing | 2 | 2 | 2 | 2 |
| 11 | 144-166 | Diffuser | 2 | 2 | 2 | 2 |