
REPLACEMENT PARTS MANUAL

WALL MOUNTED PACKAGE HEAT PUMPS

Models: **CH3S1**
CH4S1
CH5S1

General Notes

- Revised and/or additional pages may be issued from time to time.
- A complete and current manual consists of pages shown in the following contents section.

Important

- Contact the installing and/or local Bard distributor for all parts requirements. Make sure you have the complete model and serial number available from the unit rating plate.

Contents

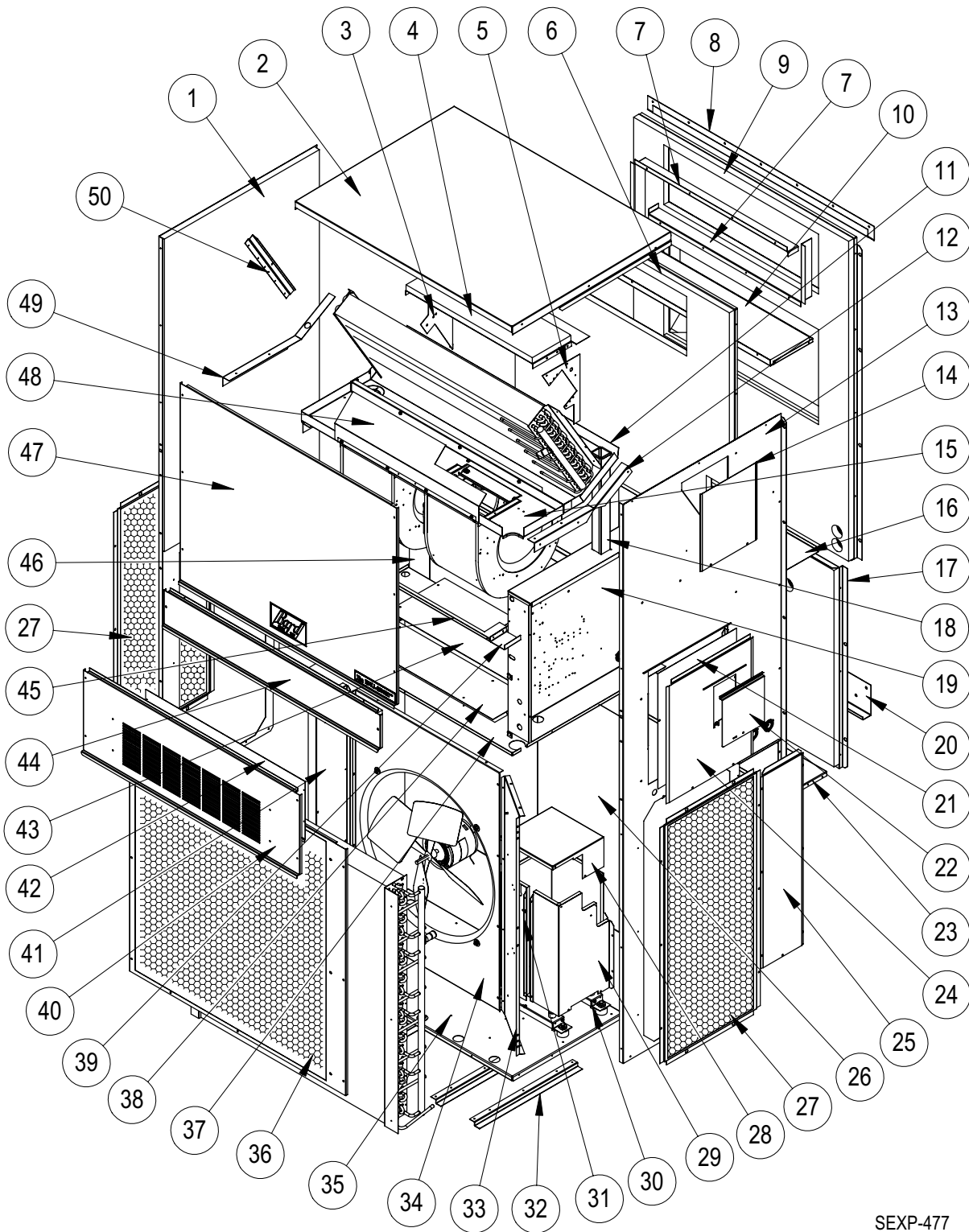
Description	Page
Cabinet Components	
♦ Exploded View	2
♦ Usage List	3 & 4
Blank Page	
♦ Blank Page	5
Functional Components	
♦ Exploded View	6
♦ Usage List	7
Control Panel	
♦ Layout View	8 & 10
♦ Usage List	9 & 11
Blower Housing	
♦ Exploded View	12
♦ Usage List	12



Bard Manufacturing Company, Inc.
Bryan, Ohio 43506
Since 1914...Moving ahead, just as planned.

Manual: 2110-556
Supersedes: **NEW**
File: Tab 17
Date: 06-29-06

CABINET COMPONENTS



SEXP-477

CABINET COMPONENTS

Drawing No.	Part No.	Description	CH3S1	CH4S1	CH5S1
1	501-476-* ①	Left Side	X		
1	501-456-* ①	Left Side		X	X
2	507-247-* ①	Top	X	X	X
3	112-317	Left Heater Bracket	X	X	X
4	134-232	Heat Shield	X	X	X
5	112-316	Right Heater Bracket	X	X	X
6	509-180	Upper Inner Back	X	X	X
7	111-115	Outlet Airframe Assembly	X	X	X
8	113-150-* ①	Top Rain Flashing	X	X	X
9	509-181	Upper Outer Back	X	X	X
10	521-396	Supply Partition	X	X	X
11	S523-112	Drain Pan Assembly	X	X	X
12	105X878	Support Angle	X	X	X
13	S501-475-* ①	Right Side	X		
13	S501-457-* ①	Right Side		X	X
14	S543-108-* ①	Right Side Cover Plate (Outer)	X	X	X
15	121X216	Blower Partition RH	X	X	X
16	537-503	Dehum Option Fill Plate	X	X	X
17	509-196	Lower Outer Back Assembly	X		
17	509-183	Lower Outer Back Assembly		X	X
18	135-128	Wire Raceway	X	X	X
19	Control Panel (See Dwg./Parts List)	Control Panel Assembly			
20	113-140	Bottom Support Bracket	X	X	X
21	S132-114	Control Panel Cover (Inner)	X	X	X
22	S153-218-* ①	Disconnect Access Door	X	X	X
23	527-345	Rear Base Assembly	X	X	X
24	S533-191-* ①	Control Panel Cover (Outer)	X	X	X
25	553-403-* ①	Rear Option Door	X		
25	553-390-* ①	Rear Option Door		X	X
26	509-195	Lower Inner Back	X		
26	509-182	Lower Inner Back		X	X
27	118-057-* ①	Side Grille	2		
27	118-058-* ①	Side Grille		2	2
28	543-100	Compressor Enclosure (Top)	X	X	X
29	S543-102	Compressor Enclosure Cover Assembly	X	X	X

① Exterior cabinet parts are manufactured with various paint color options. To insure that you receive the proper paint color, you must include the complete model and serial number of the unit for which cabinet parts are being ordered.

CABINET COMPONENTS (Continued)

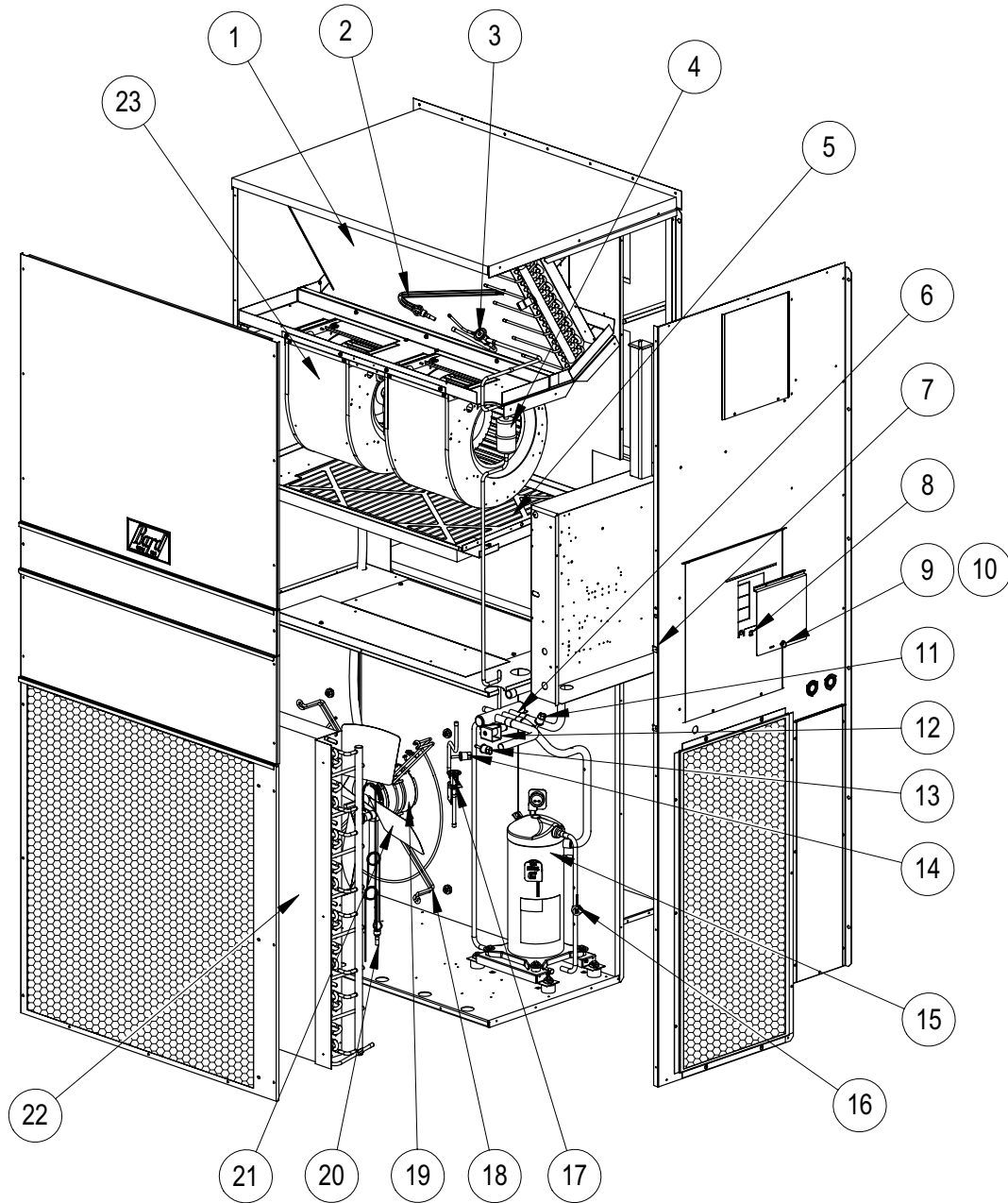
Drawing No.	Part No.	Description	CH3S1	CH4S1	CH5S1
30	S102-459	Compressor Rail	2	2	2
31	543-101	Compressor Enclosure (Back)	X	X	X
32	102-458	Base Offset	3	3	3
33	125-054	Fan Shroud (Right Side)	X		
33	125-049	Fan Shroud (Right Side)		X	X
34	124-053	Fan Shroud (Center)	X		
34	124-048	Fan Shroud (Center)		X	X
35	126-342-X	Lower Base	X	X	X
36	118-048-* ①	Condenser Grille	X		
36	118-052-* ①	Condenser Grille		X	X
37	521-408	Condenser Partition	X	X	X
38	536-489	CRV Exhaust Blank-Off Plate	X	X	X
39	137-209	Fill Plate Filter	X		
40	553-383-* ①	Vent Option Door	X	X	X
41	125-052	Fan Shroud (Left)	X		
41	125-047	Fan Shroud (Left)		X	X
42	542-043-X	Blank-Off Plate	X	X	X
43	536-531	ERV Exhaust Blank-Off Plate	X	X	X
44	553-384-* ①	Filter Door	X	X	X
45	130-146	Filter Tray	X	X	X
46	137-487	Left Return Plate	X	X	X
47	S515-144-* ①	Upper Front	X	X	X
48	134-175	Air Baffle	X	X	X
49	105X877	Left Side Support	X	X	X
50	146-046	Evaporator Offset Angle	X	X	X
NS	507-250-* ①	Top	X	X	X
NS	110-114	Top Outlet Frame	2	2	2
NS	536-491	Supply Blank Off Plate	X	X	X

NS = Not Shown (The NS Parts listed above are for top outlet units.)

① Exterior cabinet parts are manufactured with various paint color options. To insure that you receive the proper paint color, you must include the complete model and serial number of the unit for which cabinet parts are being ordered.

This Page Intentionally Left Blank

FUNCTIONAL COMPONENTS



SEXP-478

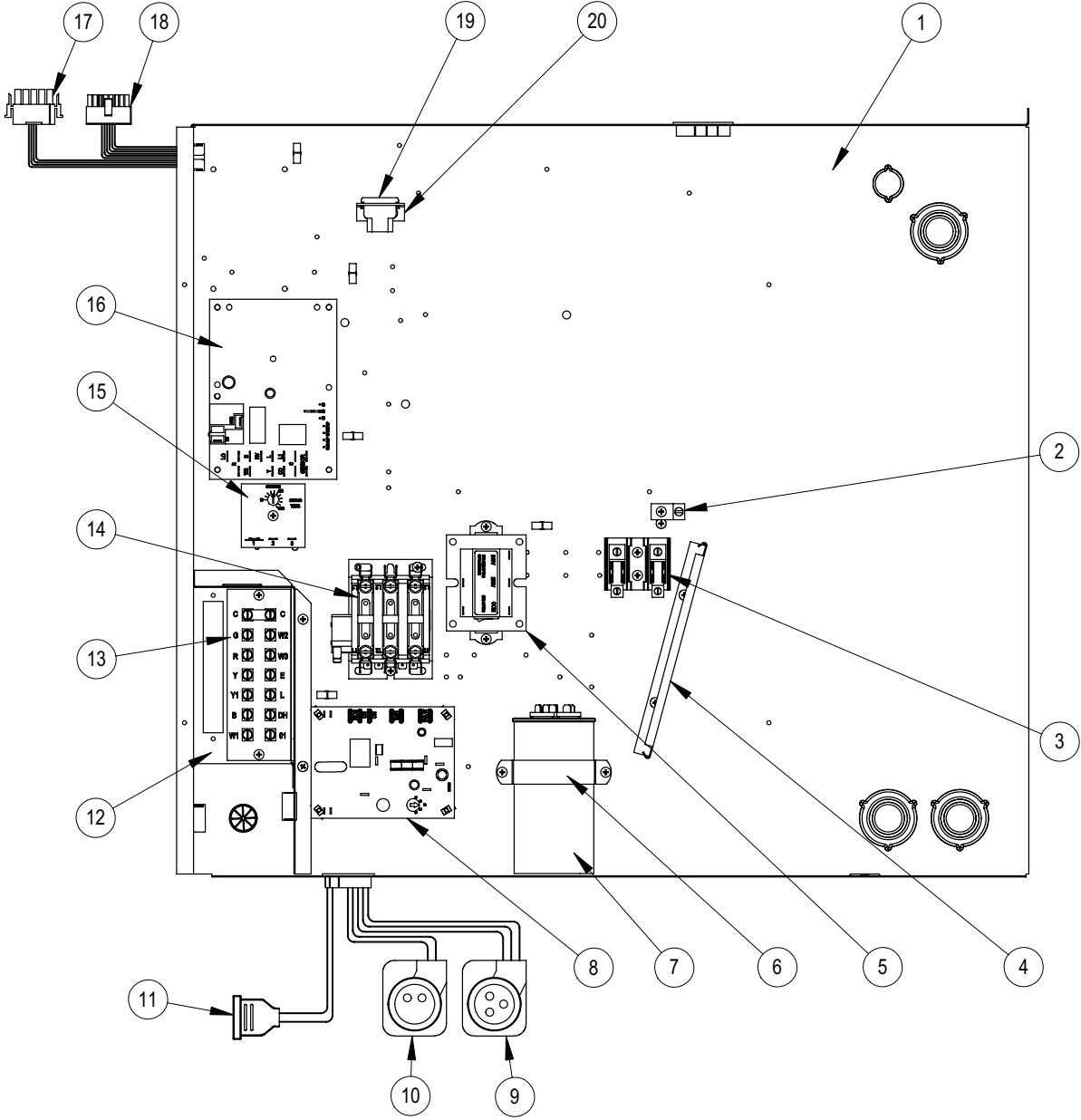


FUNCTIONAL COMPONENTS

Drawing No.	Part No.	Description	CH3S1-A	CH3S1-B	CH3S1-C	CH4S1-A	CH4S1-B	CH4S1-C	CH5S1-A	CH5S1-B	CH5S1-C
1	5060-124BX	Evaporator Coil	X	X	X						
1	5060-123BX	Evaporator Coil				X	X	X	X	X	X
2	S800-0342	Distributor - Cooling				X	X	X	X	X	X
2	S800-0346	Distributor - Cooling	X	X	X						
3	5651-173	TXV - Cooling	X	X	X						
3	5651-171	TXV - Cooling				X	X	X			
3	5651-182	TXV - Cooling							X	X	X
4	5201-010	Filter Drier	X	X	X	X	X	X	X	X	X
5	7004-027	Air Filter	X	X	X	X	X	X	X	X	X
6	5650-039	Reversing Valve with 24V Solenoid	X	X	X						
6	5650-040	Reversing Valve with 24V Solenoid				X	X	X			
6	5650-041	Reversing Valve with 24V Solenoid							X	X	X
7	1012-314	U-Clip Fastener	6	6	6	6	6	6	6	6	6
8	1171-023	Receptacle	X	X	X	X	X	X	X	X	X
9	1171-022	1/4 Turn Fastener	X	X	X	X	X	X	X	X	X
10	1171-024	Retainer Clip	X	X	X	X	X	X	X	X	X
11	8406-065	Low Pressure Switch	X	X	X	X	X	X	X	X	X
12	5650-042	Rev. Valve Solenoid, Red Casing (Ranco)	X	X	X	X	X	X	X	X	X
12	5650-046	Rev. Valve Solenoid, Black Casing (San Hua)									
13	8406-111	High Pressure Switch	X	X	X	X	X	X	X	X	X
14	8406-114	High Pressure Switch	X	X	X	X	X	X	X	X	X
15	8000-269	Compressor	X								
15	8000-272	Compressor		X							
15	8000-275	Compressor			X						
15	8000-267	Compressor				X					
15	8000-270	Compressor					X				
15	8000-273	Compressor						X			
15	8000-268	Compressor							X		
15	8000-271	Compressor								X	
15	8000-274	Compressor									X
16	8408-039	Discharge Line Thermostat	X	X	X	X	X	X	X	X	X
17	5651-174	TXV - Heating	X	X	X						
17	5651-172	TXV - Heating				X	X	X	X	X	X
18	8200-004	Fan Motor Mount	X	X	X	X	X	X	X	X	X
19	8105-039	Condenser Motor	X	X		X	X		X	X	
19	8105-030	Condenser Motor			X			X			X
20	S800-0345	Distributor - Heating	X	X	X						
20	S800-0343	Distributor - Heating				X	X	X	X	X	X
21	5151-054	Fan Blade	X	X	X	X	X	X	X	X	X
22	5051-142BX	Condenser Coil	X	X	X						
22	5051-130BX	Condenser Coil				X	X	X	X	X	X
22	5051-141BX	Condenser Coil – Sub-Cooling (Not Shown)							X	X	X
23	S900-272-002	Blower Assembly - Complete	X	X	X						
23	S900-273-001	Blower Assembly - Complete				X	X	X			
23	S900-273-004	Blower Assembly - Complete							X	X	X
NS	8407-003	460V Step Down Transformer (Not Shown)			X						
NS	8407-004	460V Step Down Transformer (Not Shown)						X			X


NS = Not Shown

CONTROL PANEL COMPONENTS



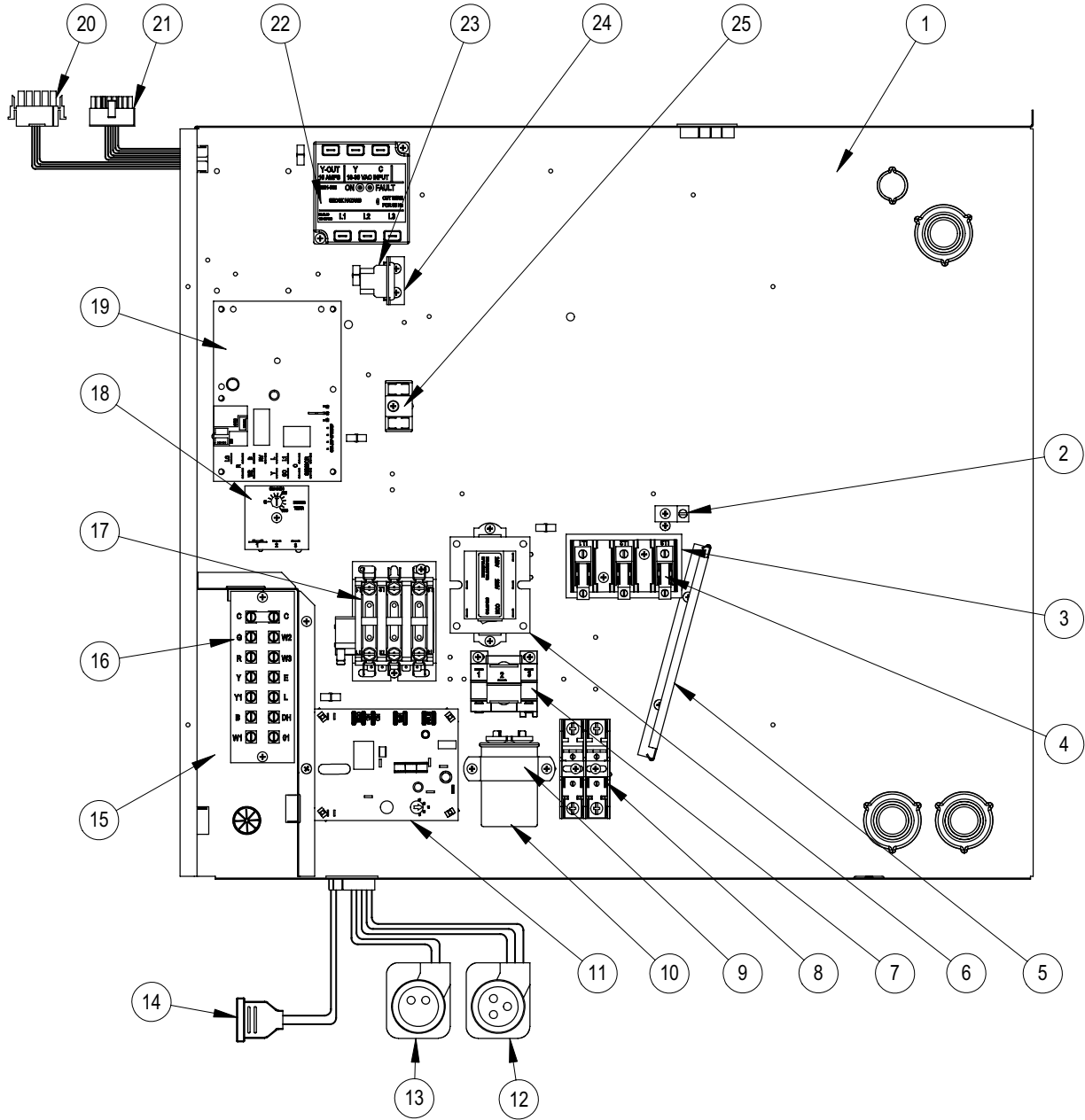
SEXP-479

CONTROL PANEL COMPONENTS

Drawing No.	Part No.	Description	CH3S1-A	CH4S1-A	CH5S1-A
1	517-259	Control Panel	X	X	X
2	8611-006	Ground Terminal	X	X	X
3	8607-013	Terminal Block 2-Pole	X	X	X
4	135-130	Wire Shield	X	X	X
5	8407-048	Transformer	X	X	X
6	8550-008	Capacitor Strap	X	X	X
7	8552-080	Capacitor	X		
7	8552-079	Capacitor		X	
7	8552-058	Capacitor			X
8	8201-105	Compressor Current Monitor	X	X	X
9	3000-1222	Compressor Plug (High Voltage)	X	X	X
10	3000-1223	Compressor Plug (Low Voltage)	X	X	X
11	5650-037	Reversing Valve Plug	X	X	X
12	117X139	Low Voltage Box	X	X	X
13	8607-019	Low Voltage Terminal Strip	X	X	X
14	8401-027	Contactora 30 Amp 3-Pole	X	X	X
15	8201-078	Bypass Timer	X	X	X
16	8201-102	Defrost Board	X	X	X
17	3000-1221	ECM High Voltage Wiring	X	X	X
18	3000-1250	ECM Low Voltage Wiring	X	X	X
19	3000-1251	Heater Plug	X	X	X
20	141-188	Heater Plug Bracket	X	X	X
NS	4056- 	Wiring Diagram	X	X	X

NS = Not Shown

CONTROL PANEL COMPONENTS



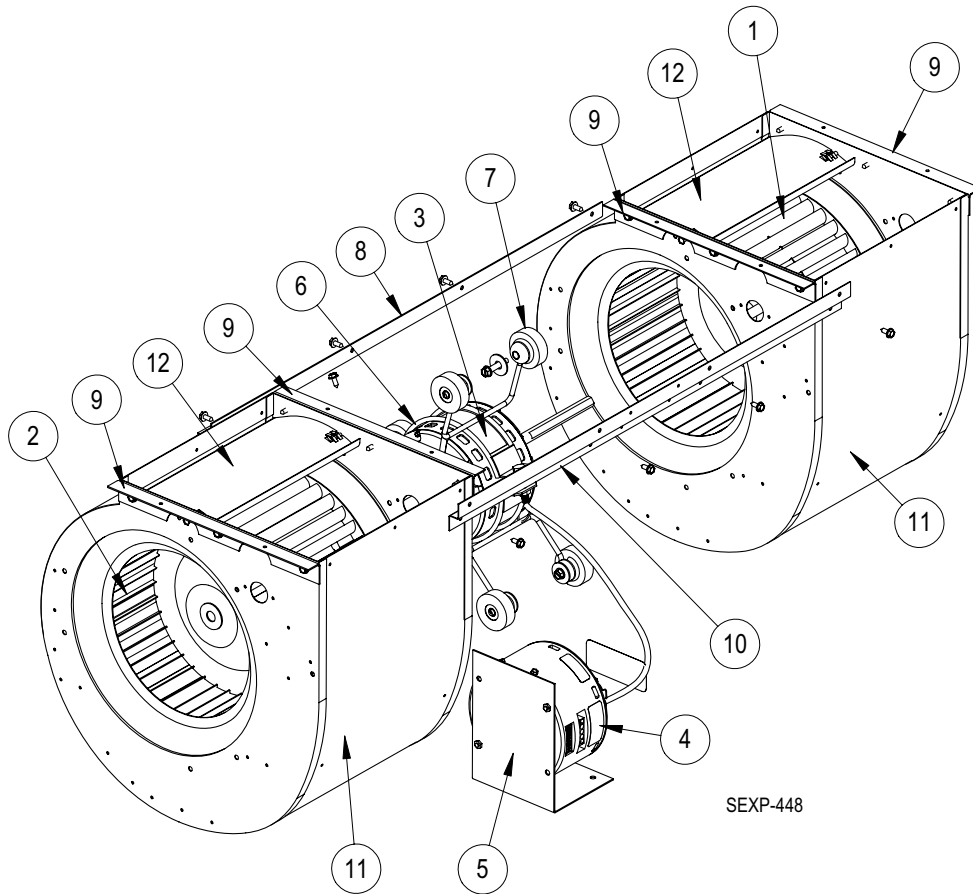
SEXP-480

CONTROL PANEL COMPONENTS

Drawing No.	Part No.	Description	CH3S1-B	CH3S1-C	CH4S1-B	CH4S1-C	CH5S1-B	CH5S1-C
1	517-259	Control Panel	X	X	X	X	X	X
2	8611-006	Ground Terminal	X	X	X	X	X	X
3	8607-015	Phenolic Insulator		X		X		X
4	8607-014	Terminal Block 3-Pole	X	X	X	X	X	X
5	135-130	Wire Shield	X	X	X	X	X	X
6	8407-048	Transformer	X	X	X	X	X	X
7	8201-032	Relay		X		X		X
8	8614-041	Fuse Block		X		X		X
9	8550-003	Capacitor Strap	X		X		X	
9	8550-006	Capacitor Strap		X		X		X
10	8552-005	Capacitor	X		X		X	
10	8552-026	Capacitor		X		X		X
11	8201-105	Compressor Current Monitor	X	X	X	X	X	X
12	3000-1230	Compressor Plug (High Voltage)	X	X	X	X	X	X
13	3000-1223	Compressor Plug (Low Voltage)	X	X	X	X	X	X
14	5060-037	Reversing Valve Plug	X	X	X	X	X	X
15	117X139	Low Voltage Box	X	X	X	X	X	X
16	8607-019	Low Voltage Terminal Strip	X	X	X	X	X	X
17	8401-027	Contactora	X	X	X	X	X	X
18	8201-078	Bypass Timer	X	X	X	X	X	X
19	8201-102	Defrost Board	X	X	X	X	X	X
20	3000-1221	ECM High Voltage Wiring	X	X	X	X	X	X
21	3000-1250	ECM Low Voltage Wiring	X	X	X	X	X	X
22	8201-085	Phase Monitor	X	X	X	X	X	X
23	3000-1251	Heater Plug	X	X	X	X	X	X
24	141-188	Heater Plug Bracket	X	X	X	X	X	X
25	8607-017	Terminal Block 2-Pole	X	X	X	X	X	X
NS	4096-234	Wiring Diagram	X		X		X	
NS	4096-335	Wiring Diagram		X		X		X

NS = Not Shown

BLOWER ASSEMBLY



SEXP-448

Drawing No.	Part No.	Description	S900-272-002	S900-273-001	S900-273-004
1	5152-011	10-Inch Wheel (CW)	X	X	X
2	5152-012	10-Inch Wheel (CCW)	X	X	X
3	8106-041-0040	1/2 HP Programmed Motor	X		
3	8107-011-0038	3/4 HP Programmed Motor		X	
3	8107-011-0035	3/4 HP Programmed Motor			X
4	C8106-041-0040	Programmed Motor Control Only	X		
4	C8107-011-0038	Programmed Motor Control Only		X	
4	C8107-011-0035	Programmed Motor Control Only			X
5	112-314	Blower Motor Control Bracket	X	X	X
6	8200-040	Motor Mount	X	X	X
7	5451-011	Grommets	6	6	6
8	105-881	Back Brace	X	X	X
9	105-880	Side Angle	4	4	4
10	103-389	Front Brace	X	X	X
11	151-101	Housing	2	2	2
12	144-166	Diffuser	2	2	2