

REPLACEMENT PARTS MANUAL

QTEC SERIES PACKAGED HEAT PUMP Models:

QW242-A0ZBXD084
QW302-B0ZBXD084
QW361-A0ZBXD084
QW361-B0ZBXD084
QW481-B0ZBXD084

General Notes

- Revised and/or additional pages may be issued from time to time.
- A complete and current manual consists of pages shown in the following contents section.

Contents

Description	Page
Cabinet Components	
♦ Exploded View	2
♦ Usage List	3
♦ Usage List	4
♦ Blank Page	5
Functional Components	
♦ Exploded View	6
♦ Usage List	7
♦ Usage List	8
Upper Control Panel Components	
♦ Exploded View	9
♦ Usage List	10
Lower Control Panel Components	
♦ Exploded View	11
♦ Usage List	12
Blower Assembly Components	
♦ Exploded View	13
♦ Usage List	14
Wall Sleeve Cabinet Components	
♦ Exploded View	15
♦ Usage List	16
Optional Climate Control Components	
♦ Usage List	17



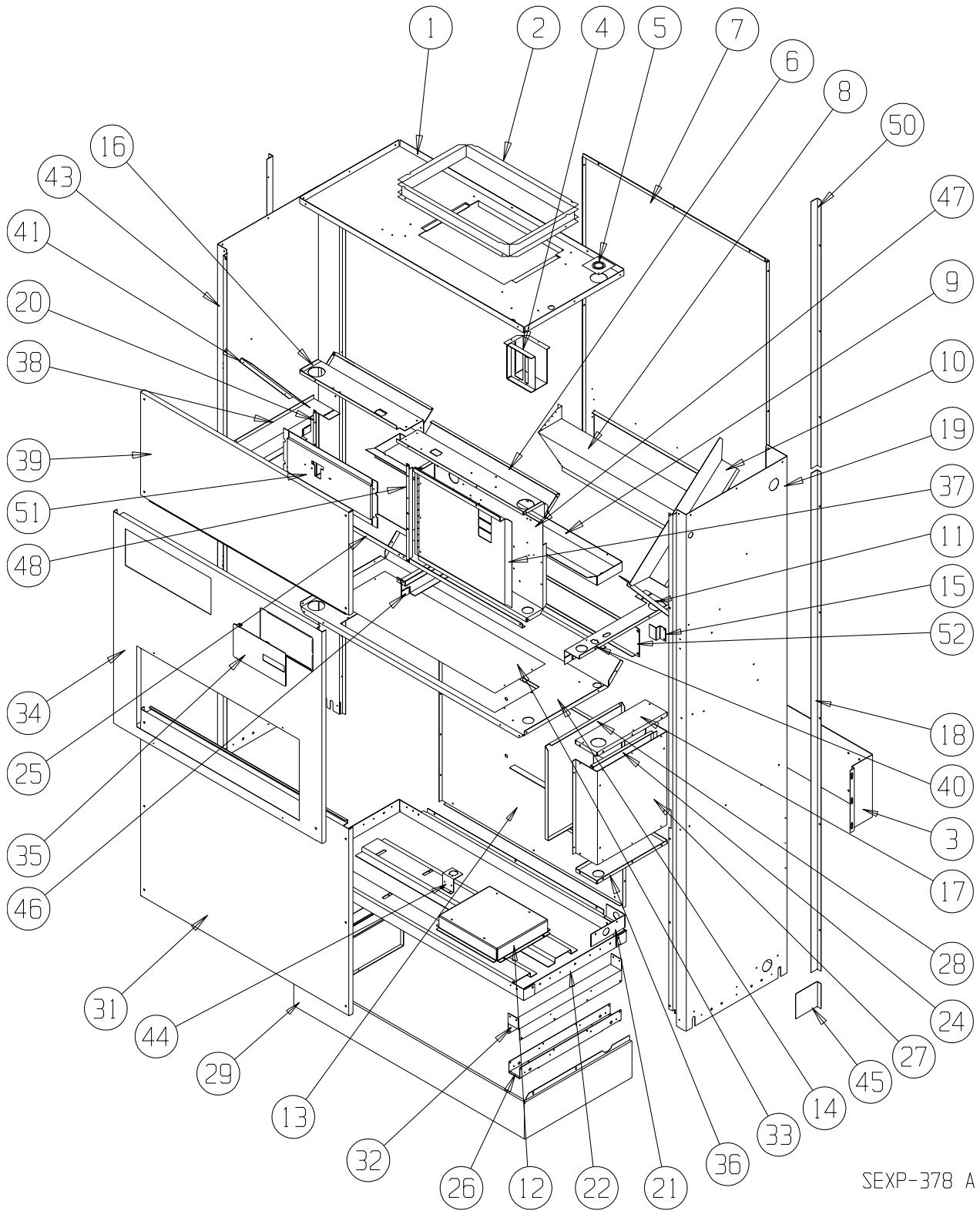
Bard Manufacturing Company, Inc.
Bryan, Ohio 43506

Since 1914...Moving ahead, just as planned.

Manual: 2110-559A
Supersedes: 2110-559
File: Tab 14
Date: 06-21-06

CLIMATE CONTROL SOLUTIONS

CABINET COMPONENTS



SEXP-378 A

This Exploded View is referenced in Tables on Page 3 & 4

CABINET COMPONENTS

Drawing No.	Part No.	Description	QW242-A	QW302-B	QW361-A, -B	QW481-B
1	506-225	Top Assembly	X	X	X	X
2	110-044	Outlet Duct Flange	2	2	2	2
3	112-289	Wall Mounting Bracket	2	2	2	2
4	117-187	Low Voltage Box Assembly (Optional)	X	X	X	X
4	117-249	Low Voltage Box Assembly DDC (Optional)	X	X	X	X
5	136-359	T.K.O. Plate	X	X	X	X
6	534-191	Evaporator Coil Shield - Right	X	X	X	X
7	508-133	Back Assembly	X	X	X	X
8	538-106	Fresh Air Damper Assembly	X	X	X	X
9	523-104	Evaporator Drain Pan Assembly	X	X	X	X
10	134-154	Wire Channel	X	X	X	X
11	140X277	Right Evaporator Support	X	X	X	X
12	140-026	Water Coil Hold Down	X	X	X	X
13	508-164	Lower Back	X	X	X	X
14	520-346	Condenser Partition Assembly	X	X	X	X
15	103-443	Door Latch Offset	X	X	X	X
16	534-190	Evaporator Coil Shield - Left	X	X	X	X
17	117-237	Lower Control Panel Top	X	X	X	X
18	S135-177-* ①	Side Trim - Lower	2	2	2	2
19	500-392-* ①	Right Side Assembly	X	X	X	X
20	104-1096	Right Thermostat Support Angle	X	X	X	X
21	112-278	Drain Bracket	X	X	X	X
22	527-310-X	Lower Base Assembly	X	X	X	X
24	117-240	Lower Control Panel Plate	X	X	X	X
25	104-1180	Front Filter Angle	X	X	X	X
<i>Continued on Page 4</i>						

① Exterior cabinet parts are manufactured with various color options. To insure that you receive the proper color, you must include the complete models and serial number of the unit for which parts are being ordered.

This Table references Exploded View on Page 2

CABINET COMPONENTS

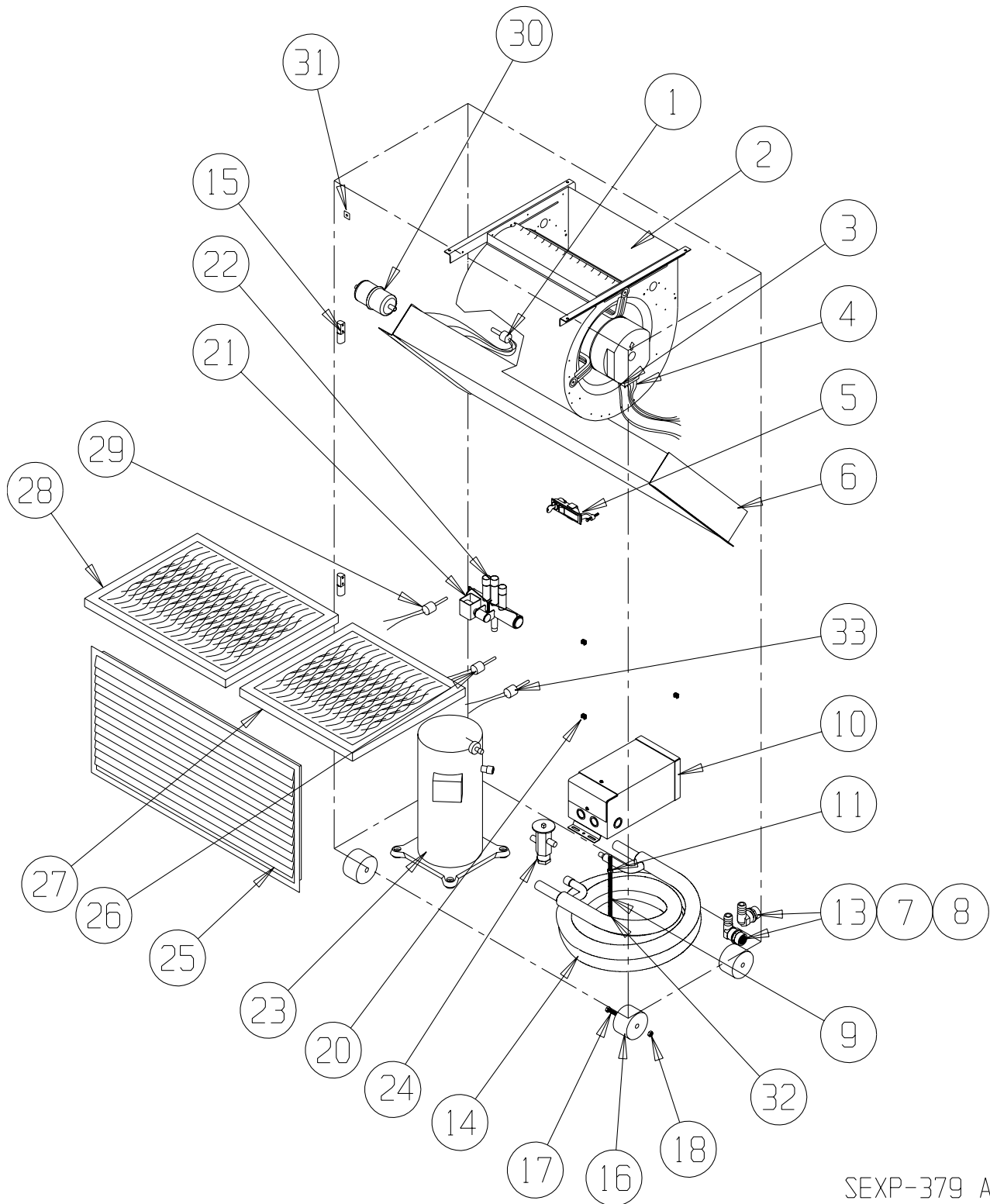
Drawing No.	Part No.	Description	QW242-A	QW302-B	QW361-A, -B	QW481-B
<i>Continued from Page 3</i>						
26	140-276	Lower Roller Support	2	2	2	2
27	See Pages 11 & 12	Control Panel Components	X	X	X	X
28	133-164	Control Panel Door - Lower	X	X	X	X
29	534-155-6	Base Trim Assembly	X	X	X	X
31	552-339-* ①	Condenser Door Assembly	X	X	X	X
32	140-280	Upper Roller Support	2	2	2	2
33	536-351	Condenser Blank Off Plate	X	X	X	X
34	552-330-* ①	Filter Door Assembly	X	X	X	X
35	153-336-* ①	Circuit Breaker Door	X	X	X	X
36	117-238	Lower Control Panel Bottom	X	X	X	X
37	132-165	Circuit Breaker Door Inner	X	X	X	X
38	113-334	Left Filter Bracket	X	X	X	X
39	552-331-* ①	Blower Door Assembly	X	X	X	X
40	113-333	Right Filter Bracket	X	X	X	X
41	140Y277	Left Evaporator Support	X	X	X	X
43	500-391-* ①	Left Side Assembly	X	X	X	X
44	113-142	Expansion Valve Mounting Plate	X	X	X	X
45	135-165-* ①	Base Trim Extension	2	2	2	2
46	112X335	Center Right Filter Bracket	X	X	X	X
46	112Y335	Center Left Filter Bracket	X	X	X	X
47	See Pages 9 & 10	Circuit Breaker Box Assembly	X	X	X	X
48	104-1096	Left Thermostat Support Bracket	X	X	X	X
50	S135-178-* ①	Side Trim - Upper	2	2	2	2
51	See Page 17	Thermostat Mounting Plate	X	X	X	X
52	542-077	Discharge Blank Off Plate	X	X	X	X

① Exterior cabinet parts are manufactured with various color options. To insure that you receive the proper color, you must include the complete models and serial number of the unit for which parts are being ordered.

This Table references Exploded View on Page 2

This page has been left blank intentionally.

FUNCTIONAL COMPONENTS



SEXP-379 A

This Exploded View is referenced in Tables on pages 7 & 8

FUNCTIONAL COMPONENTS

Drawing No.	Part No.	Description	QW242-A	QW302-B	QW361-A	QW361-B	QW481-B
1	5625-015	Distributor Cooling	X	X	X	X	
1	5625-020	Distributor Cooling					X
2	S900-225-001	Blower Assembly	X				
2	S900-225-002	Blower Assembly		X			
2	S900-225-004	Blower Assembly			X	X	
2	S900-225-005	Blower Assembly					X
3	3000-1046	Wire Harness High Voltage	X	X	X	X	X
4	3000-1042	Wire Harness Low Voltage	X	X	X	X	X
5	1171-049	Keylatch/Circuit Breaker Door	X	X	X	X	X
6	5060-107BX	Evaporator Coil	X	X	X	X	
6	5060-090BX	Evaporator Coil					X
7	6094-008	Drain Adapter	2	2	2	2	2
8	6094-007	Drain Elbow	2	2	2	2	2
9	1012-078	Rod	X	X	X	X	X
11	1012-211	Nut	X	X	X	X	X
13	6094-003	Drain Fitting	2	2	2	2	2
14	S917-0054	Water Coil Assembly	X				
14	S917-0063	Water Coil Assembly		X			
14	S917-0055	Water Coil Assembly			X	X	X
14	S917-0071	Copper Water Coil Assembly (Optional)①	X				
14	S917-0073	Copper Water Coil Assembly (Optional)①		X			
14	S917-0072	Copper Water Coil Assembly (Optional)①			X	X	X
15	5400-005	Hinge	2	2	2	2	2
16	1171-035	Wheel	4	4	4	4	4
17	1012-129	Bolt - Shoulder	4	4	4	4	4
18	1012-224	Nut - Locking	4	4	4	4	4
20	1012-218	Cage Nut	4	4	4	4	4

Continued on Page 8

① NOTE: The fourteenth character in the unit model number indicates coil option; option "X" is for the standard Cupronickel coil and "4" indicates copper coil.

This Table references Exploded View on Page 6

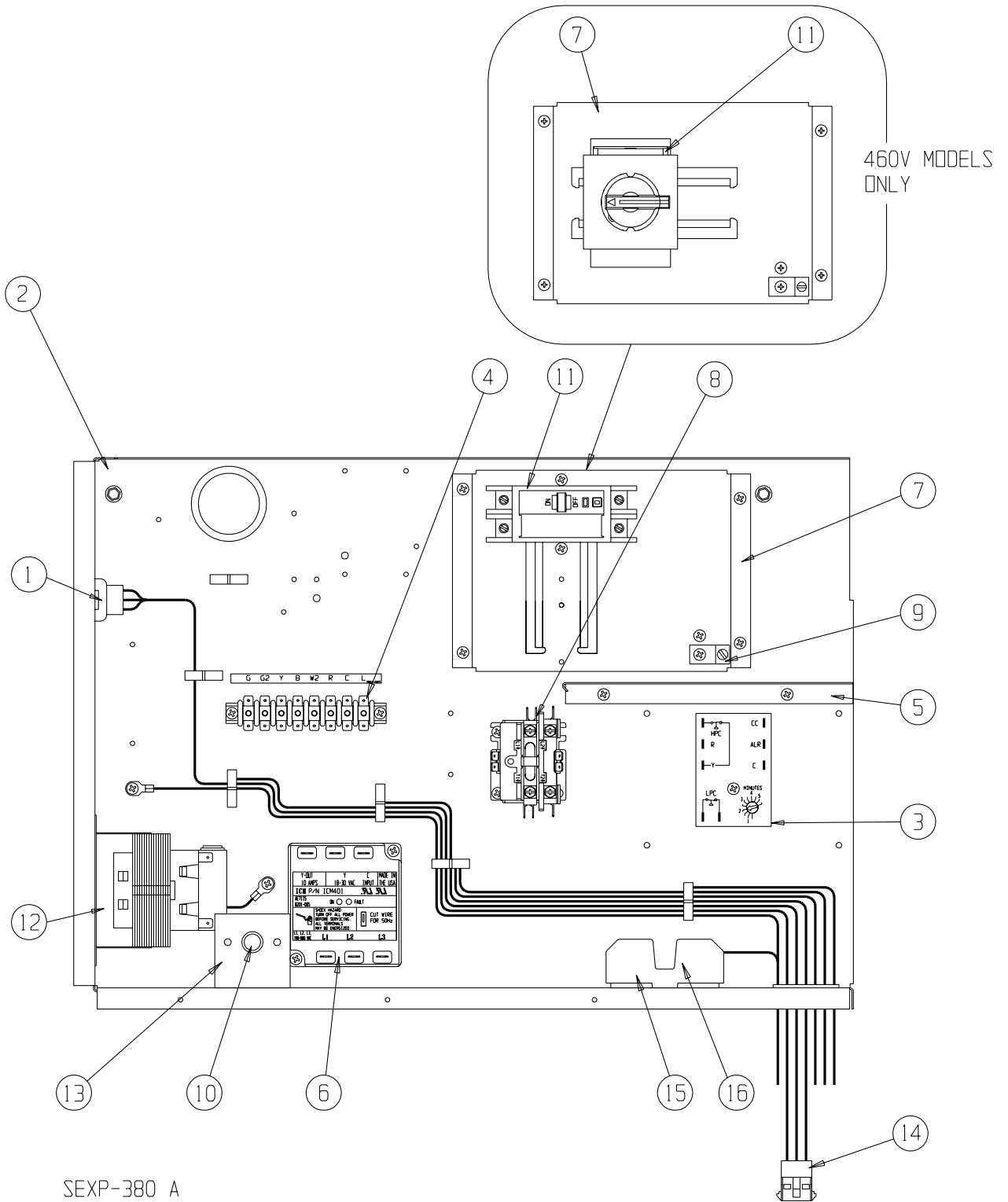
FUNCTIONAL COMPONENTS

Drawing No.	Part No.	Description	QW242-A	QW302-B	QW361-A	QW361-B	QW481-B
<i>Continued from Page 7</i>							
21	5650-042	Reversing Valve Solenoid, Red Casing (Ranco)	X	X	X	X	X
21	5650-043	Reversing Valve Solenoid, Black Casing (Wilspec)					
22	5650-038	Reversing Valve with 24V Solenoid Coil	X	X			
22	5650-039	Reversing Valve with 24V Solenoid Coil			X	X	
22	5650-040	Reversing Valve with 24V Solenoid Coil					X
23	8000-258	Compressor	X				
23	8000-201	Compressor		X			
23	8000-172	Compressor			X		
23	8000-203	Compressor				X	
23	8000-229	Compressor					X
24	5651-150	TXV	X				
24	5651-151	TXV		X			
24	5651-152	TXV			X	X	
24	5651-162	TXV					X
25	7051-055	Return Air Grille	X	X	X	X	X
26	1804-0106	High Pressure Control	X	X	X	X	X
27	7004-009	Air Filter	X	X	X	X	X
27	7004-032	Filter 2" Fiberglass (Optional)	X	X	X	X	X
27	7004-034	Filter 2" Pleated (Optional)	X	X	X	X	X
28	7004-010	Air Filter	X	X	X	X	X
28	7004-033	Filter 2" Fiberglass (Optional)	X	X	X	X	X
28	7004-035	Filter 2" Pleated (Optional)	X	X	X	X	X
29	1804-0107	Low Pressure Control 15 PSI	X	X	X	X	X
30	5201-009	Filter / Drier	X	X	X	X	X
31	1012-315	"U" Clip Fastener	10	10	10	10	10
32	1012-226	Cage Nut	X	X	X	X	X
33	8406-104	Low Pressure Control 27 PSI	X	X	X	X	X
NS	CMA-6	Low Ambient Control	X	X	X	X	X
NS	4100-108	Wiring Diagram	X		X		
NS	4100-210	Wiring Diagram		X		X	X

NS = Not Shown

These Tables reference Exploded View on Page 6

UPPER CONTROL PANEL COMPONENTS



This Exploded View is referenced in Table on page 10

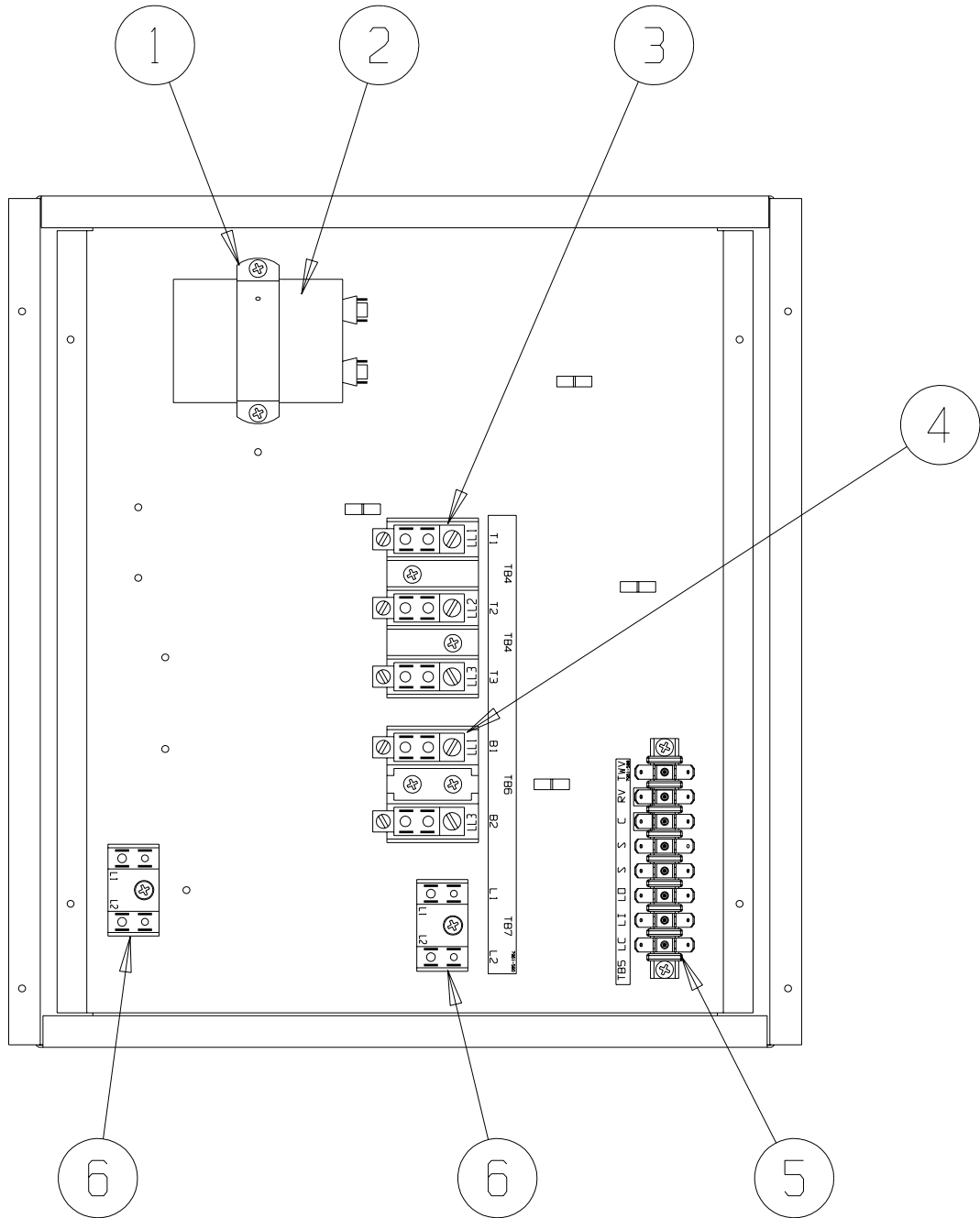
UPPER CONTROL PANEL COMPONENTS

Drawing No.	Part No.	Description	QW242-A	QW302-B	QW361-A	QW361-B	QW481-B
1	3000-1149	Wire Set PL2	X	X	X	X	X
2	117-241	Control Panel	X	X	X	X	X
3	8201-088	Compressor Control Module	X	X	X	X	X
4	8607-022	Terminal Block	X	X	X	X	X
5	117-242	Box Partition	X	X	X	X	X
6	8201-085	Phase Monitor		X		X	X
7	126-267	Circuit Breaker Base	X	X	X	X	X
8	8401-007	Contactor	X		X		
8	8401-002	Contactor		X		X	X
9	8611-006	Ground Lug	X	X	X	X	X
10	8611-094	Light	X	X	X	X	X
11	8615-036	Circuit Breaker 2 Pole 25A Ckt A	X				
11	8615-054	Circuit Breaker 3 Pole 20A Ckt A		X			
11	8615-037	Circuit Breaker 2 Pole 30A Ckt A			X		
11	8615-051	Circuit Breaker 3 Pole 25A Ckt A				X	
11	8615-042	Circuit Breaker 3 Pole 35A Ckt A					X
12	8407-048	Transformer	X	X	X	X	X
13	112-225	Bracket	X	X	X	X	X
14	3000-1148	Wire Set PL3	X	X	X	X	X
NS	4101-100	Wiring Diagram	X		X		
NS	4101-200	Wiring Diagram		X		X	X

NS = Not Shown

This Table references Exploded View on Page 9

LOWER CONTROL PANEL COMPONENTS

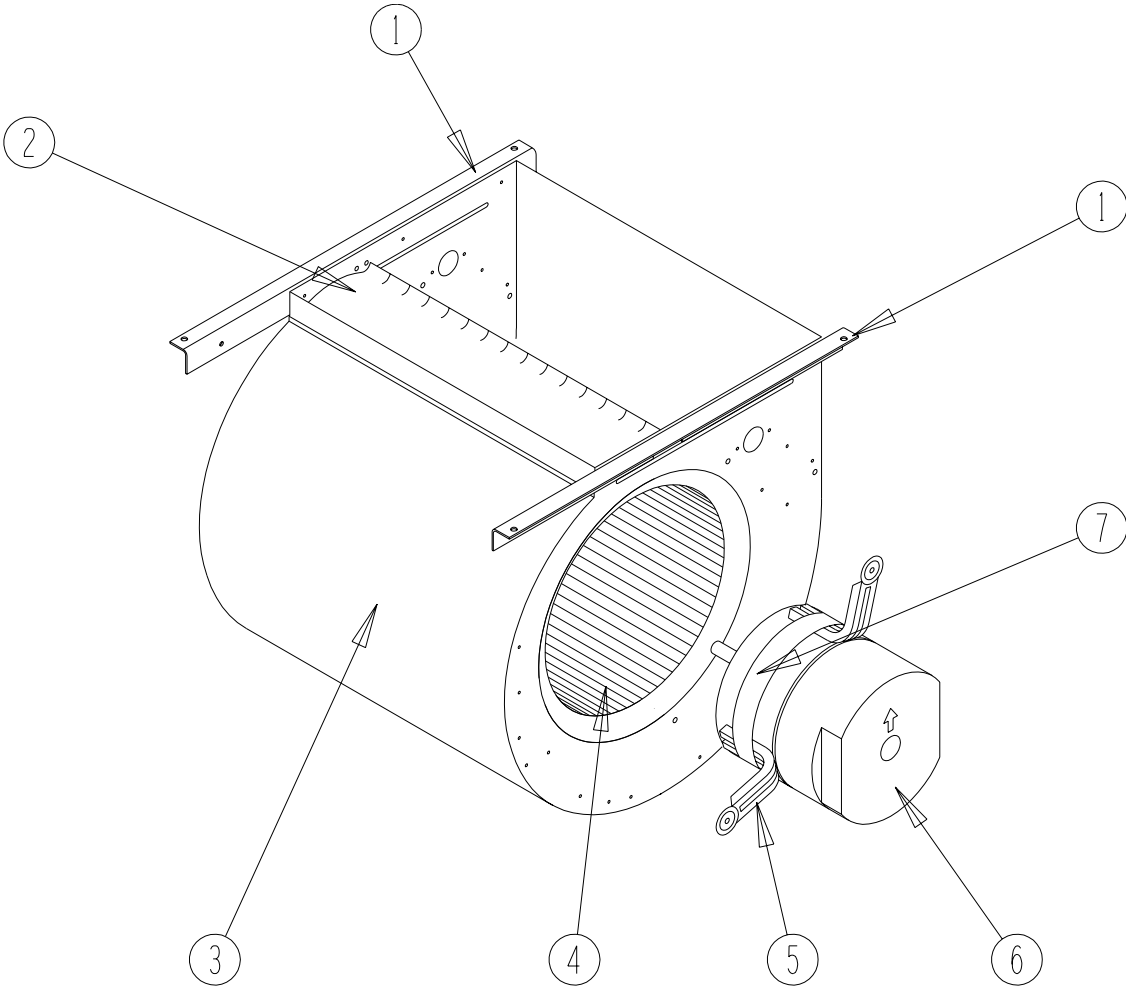


SEXP-381

LOWER CONTROL PANEL COMPONENTS

Drawing No.	Part No.	Description	QW242-A	QW361-A	QW302-B	QW361-B	QW481-B
1	8550-008	Capacitor Strap	X	X			
2	8552-048	Compressor Capacitor	X				
2	8552-043	Compressor Capacitor		X			
3	8607-014	Terminal Block 3 Terminal			X	X	X
4	8607-013	Terminal Block 2 Terminal	X	X			
5	8607-022	Terminal Block 8 Pos	X	X	X	X	X
6	8607-017	Terminal Block 2 Terminal	X	X	X	X	X

BLOWER ASSEMBLY COMPONENTS

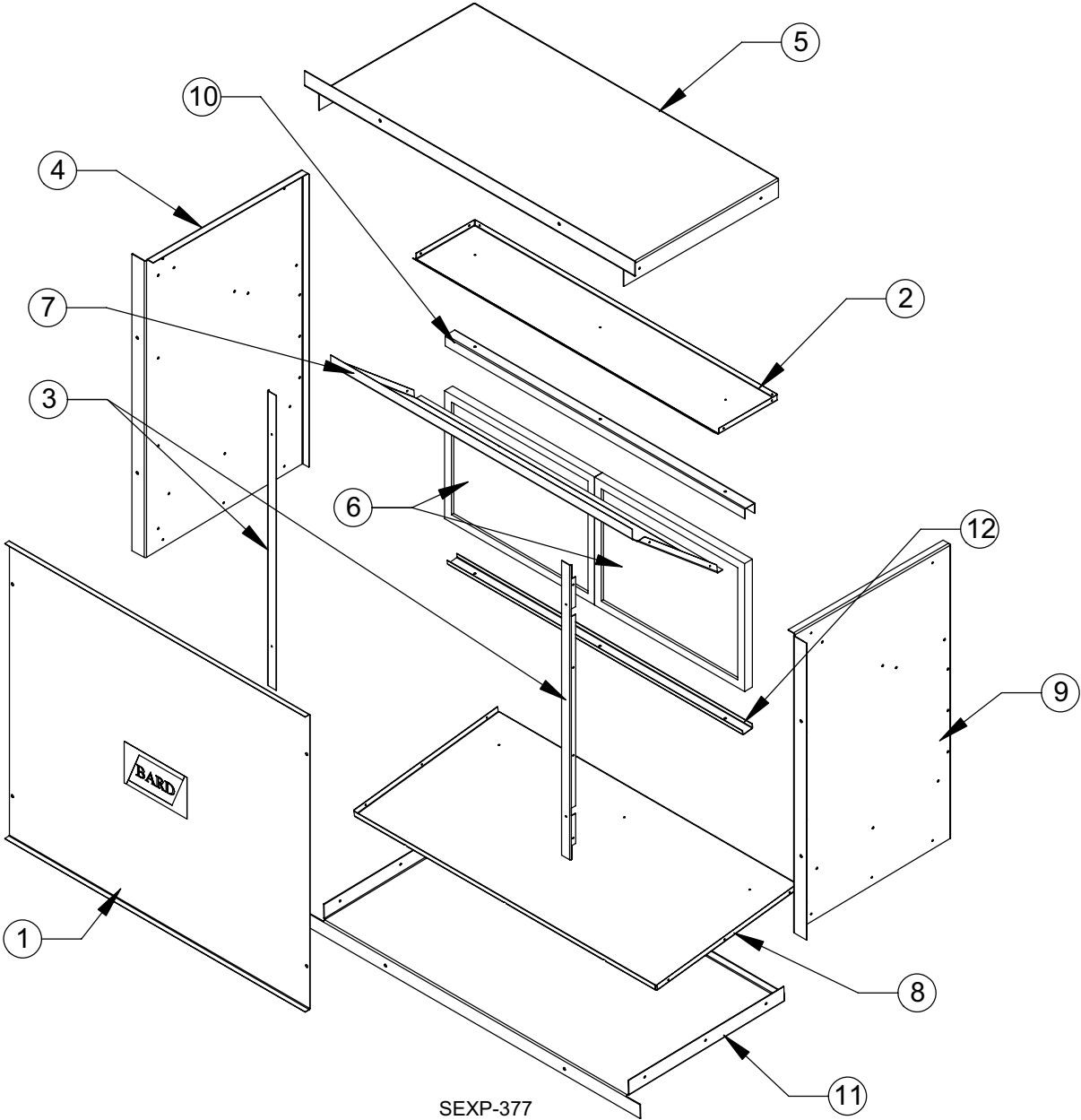


SEXP-245

BLOWER ASSEMBLY COMPONENTS

Drawing No.	Part No.	Description	900-225-001	900-225-002	900-225-004	900-225-005	900-254-002
1	104-980	Blower Angle	2	2	2	2	2
2	144-131	Diffuser	X	X	X	X	X
3	151-110	Blower Housing	X	X	X	X	X
4	5152-061	Blower Wheel	X	X	X	X	X
5	8620-034	Motor Mount Arm	3	3	3	3	3
6	8106-035-0003	Motor	X				
6	8106-035-0004	Motor		X			
6	8106-035-0005A	Motor			X		
6	8106-035-0013	Motor				X	
6	8107-009-0023	Motor					X
7	8620-034	Motor Mount Band	X	X	X	X	X

WALL SLEEVE CABINET COMPONENTS



WALL SLEEVE CABINET COMPONENTS

Drawing No.	Part No.	Description	QWVS42
1	142-076	Cover	X
2	121-350-X	Top Partition	X
3	105-1103-X	Angle	2
4	110-073-X	Left Side	X
5	110-074-X	Top	X
6	7003-056	Mist Eliminator	2
7	111-076-X	Air Deflector	X
8	121-349-X	Partition	X
9	110-072-X	Right Side	X
10	165-566-X	Upper Support Channel	X
11	110-075-X	Base	X
12	165-567-X	Lower Support Channel	X

OPTIONAL CLIMATE CONTROLS

Drawing No.	Part No.	Description	QW242
			QW302
			QW361
			QW481
			X
			Option
NS	S127-313-* ①	Thermostat Plate	X
NS	3000-1157	Wire Harness, Low Voltage, Terminal Strip to PL2	X
NS	8607-019	Low Voltage Terminal Strip	X
NS	4102-020	Wiring Diagram	X

NS = Not Shown

- ① *Exterior cabinet parts are manufactured with various color options. To insure that you receive the proper color, you must include the complete models and serial number of the unit for which parts are being ordered.*