
REPLACEMENT PARTS MANUAL

WALL MOUNTED PACKAGE HEAT PUMPS

Models: W30H1 W30H1D
 W36H1 W36H1D

General Notes

- Revised and/or additional pages may be issued from time to time.
- A complete and current manual consists of pages shown in the following contents section.

Important

- Contact the installing and/or local Bard distributor for all parts requirements. Make sure you have the complete model and serial number available from the unit rating plate.

Contents

Description	Page
Cabinet Components	
♦ Exploded View	2
♦ Usage List	3
Functional Components	
♦ Exploded View	4
♦ Usage List	5
Functional Components - Dehum. Models	
♦ Usage List	6
Control Panel	
♦ Layout View	7
♦ Usage List	8
Control Panel	
♦ Layout View	9
♦ Usage List - Dehum.	10
Blower Housing	
♦ Exploded View	11
♦ Usage List	11

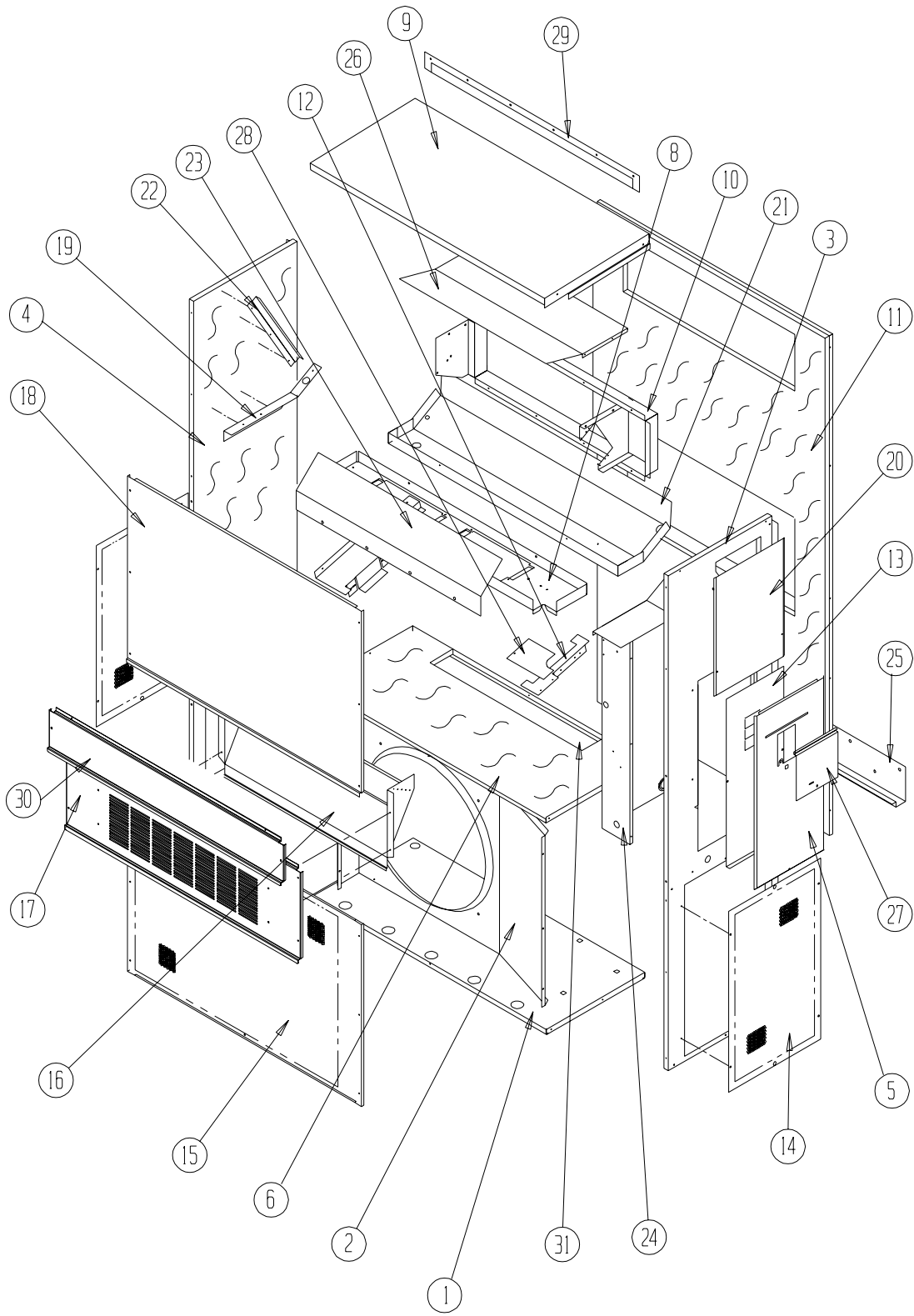


CLIMATE CONTROL SOLUTIONS

Bard Manufacturing Company, Inc.
Bryan, Ohio 43506
Since 1914...Moving ahead, just as planned.

Manual: 2110-572C
Supersedes: 2110-572B
File: Tab 17
Date: 04-26-10

CABINET COMPONENTS



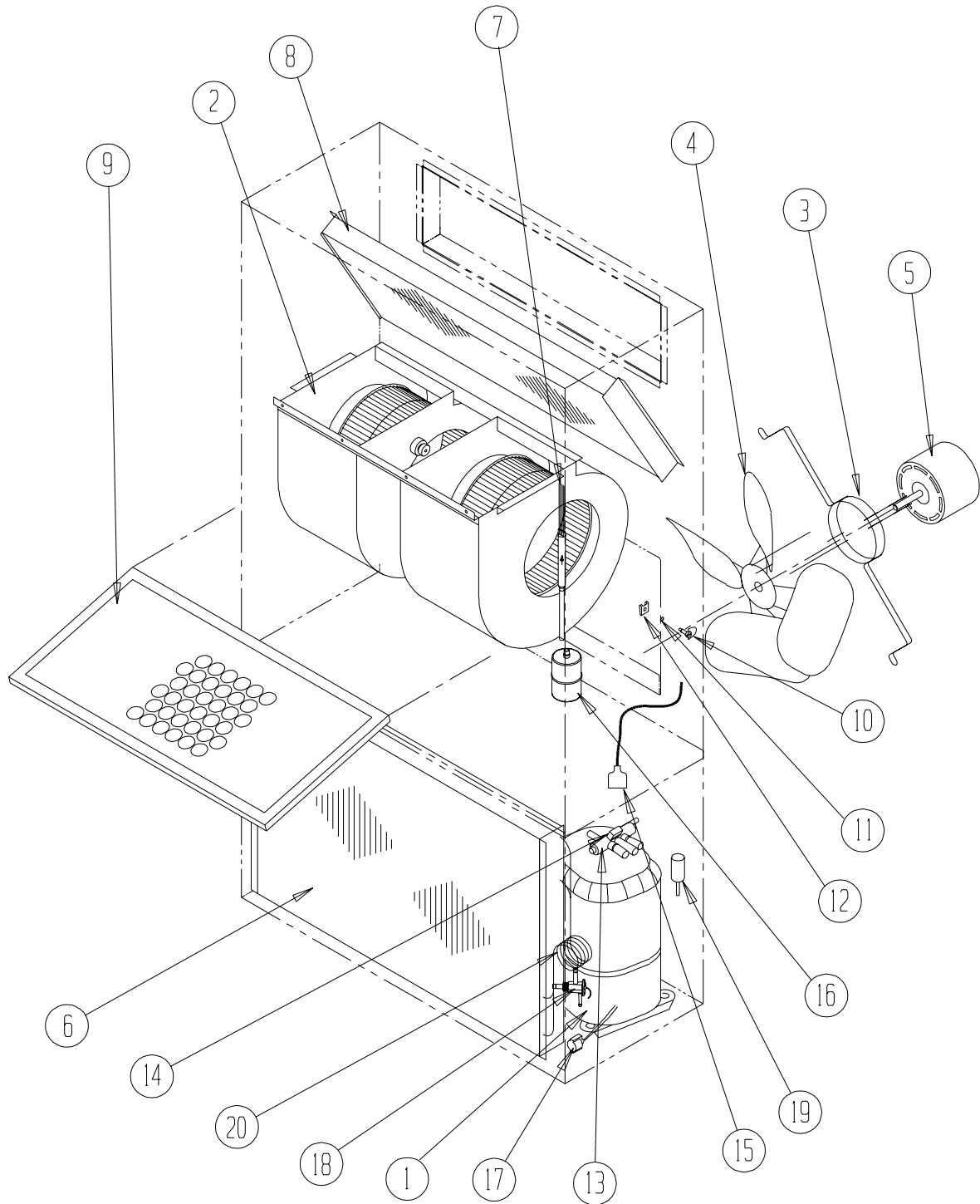
SEXP-514 A

CABINET COMPONENTS

Drawing No.	Part No.	Description	W30H1-A,-B	W30H1-C	W36H1-A,-B	W36H1-C	W30H1DA,DB	W30H1DC	W36H1DA,DB	W36H1DC
1	S127-199	Lower Base	X	X	X	X	X	X	X	X
2	125-022	Fan Shroud	X	X	X	X	X	X	X	X
3	S500-228-* ①	Right Side	X	X	X	X	X	X	X	X
4	S500-229-* ①	Left Side	X	X	X	X	X	X	X	X
5	S533-109-* ①	Control Panel Cover (Outer)	X	X	X	X	X	X	X	X
6	S521X384	Condenser Partition	X	X	X	X	X	X	X	X
8	121X182	Blower Partition	X	X	X	X	X	X	X	X
9	S506-130-* ①	Top	X	X	X	X	X	X	X	X
10	S111X030	Outlet Airframe Assembly	X	X	X	X	X	X	X	X
11	S508-088	Back	X	X	X	X	X	X	X	X
12	113X195	Filter Bracket	2	2	2	2	2	2	2	2
13	S132-104	Control Panel Cover (Inner)	X		X		X		X	
13	S132-172	Control Panel Cover (Inner)		X		X		X		X
14	118-056-* ①	Side Grille	2	2	2	2	2	2	2	2
15	118-059-* ①	Condenser Grille	X	X	X	X	X	X	X	X
16	BFAD-3	Fresh Air Damper Assembly	X	X	X	X	X	X	X	X
17	S552-443-* ①	Vent Option Door	X	X	X	X	X	X	X	X
17	S552-445-* ①	Vent Option Door with ERV	X	X	X	X	X	X	X	X
18	S514-160-* ①	Upper Front	X	X	X	X	X	X	X	X
19	105X850	Left Side Support	X	X	X	X	X	X	X	X
20	S143-034-* ①	Right Side Cover Plate (Outer)	X	X	X	X	X	X	X	X
21	S123-078	Drain Pan	X	X	X	X	X	X	X	X
22	147-044	Evaporator Support	X	X	X	X	X	X	X	X
23	135-124	Air Baffle	X	X	X	X	X	X	X	X
24	Control Panel Assembly	See Control Panel Assembly Drawing and Parts List	X	X	X	X	X	X	X	X
25	113-140	Bottom Mounting Bracket	1	1	1	1	1	1	1	1
26	135X123	Heat Shield	X	X	X	X	X	X	X	X
27	S153-218-* ①	Disconnect Access Door	X	X	X	X	X	X	X	X
28	137-259	Fill Plate	X	X	X	X	X	X	X	X
29	113-149-* ①	Top Rain Flashing	X	X	X	X	X	X	X	X
30	S552-444-* ①	Filter Door	X	X	X	X	X	X	X	X
31	S536-498	Condenser Partition Block-Off Plate	X	X	X	X	X	X	X	X

① Exterior cabinet parts are manufactured with various paint color options. To insure that you receive the proper paint color, you must include the complete model and serial number of the unit for which cabinet parts are being ordered.

FUNCTIONAL COMPONENTS






SEXP-529

FUNCTIONAL COMPONENTS

Drawing No.	Part No.	Description	W30H1-A	W30H1-B	W30H1-C	W36H1-A	W36H1-B	W36H1-C
1	8000-298	Compressor	X					
1	8000-299	Compressor		X				
1	8000-300	Compressor			X			
1	8000-309	Compressor				X		
1	8000-310	Compressor					X	
1	8000-311	Compressor						X
2	S900-231	Blower Assembly	X	X		X	X	
2	S900-232	Blower Assembly			X			X
3	8200-001	Fan Motor Mount	X	X	X	X	X	X
4	5151-045	Fan Blade	X	X	X	X	X	X
5	8103-013	Condenser Motor	X	X		X	X	
5	8103-020	Condenser Motor			X			X
6	5051-112BX	Condenser Coil				X	X	X
6	5051-157BX	Condenser Coil	X	X	X			
7	800-0649	Cooling Distributor Assembly				X	X	X
7	800-0357	Cooling Distributor Assembly	X	X	X			
8	5060-064BX	Evaporator Coil	X	X	X			
8	5060-136BX	Evaporator Coil				X	X	X
9	7004-019	Air Filter 1" Throw Away	X	X	X	X	X	X
9	7003-031	Air Filter 1" Washable (Optional)	X	X	X	X	X	X
9	7004-026	Air Filter 2" Pleated (Optional)	X	X	X	X	X	X
10	1171-022	1/4" Turn Fastener	X	X	X	X	X	X
11	1171-024	1/4" Turn Retainer	X	X	X	X	X	X
12	1171-023	1/4" Receptacle	X	X	X	X	X	X
13	5650-039	Reversing Valve with 24V Solenoid Coil	X	X	X	X	X	X
14	5650-042	Rev. Valve Solenoid, Red Casing (Ranco)	X	X	X	X	X	X
14	5650-043	Rev. Valve Solenoid, Black Casing (Wilspec)	X	X	X	X	X	X
14	5650-046	Rev. Valve Solenoid, Black Casing (San Hua)	X	X	X	X	X	X
15	5650-037	Molded Plug 36" Lead	X	X	X	X	X	X
16	5201-009	Filter Drier	X	X	X	X	X	X
17	8620-095	Defrost Sensor	X	X	X	X	X	X
18	5651-191	Heating TXV Thermal Expansion Valve	X	X	X	X	X	X
19	1804-0385	High Pressure Switch (Flare) (Optional)	X	X	X	X	X	X
20	800-0378	Heating Distributor Assembly				X	X	X
20	800-0186	Heating Distributor Assembly	X	X	X			
NS	1804-0107	Low Pressure Switch (Flare) (Optional)	X	X	X	X	X	X
NS	CMA-28	Low Ambient Control (Flare) (Optional)	X	X	X	X	X	X

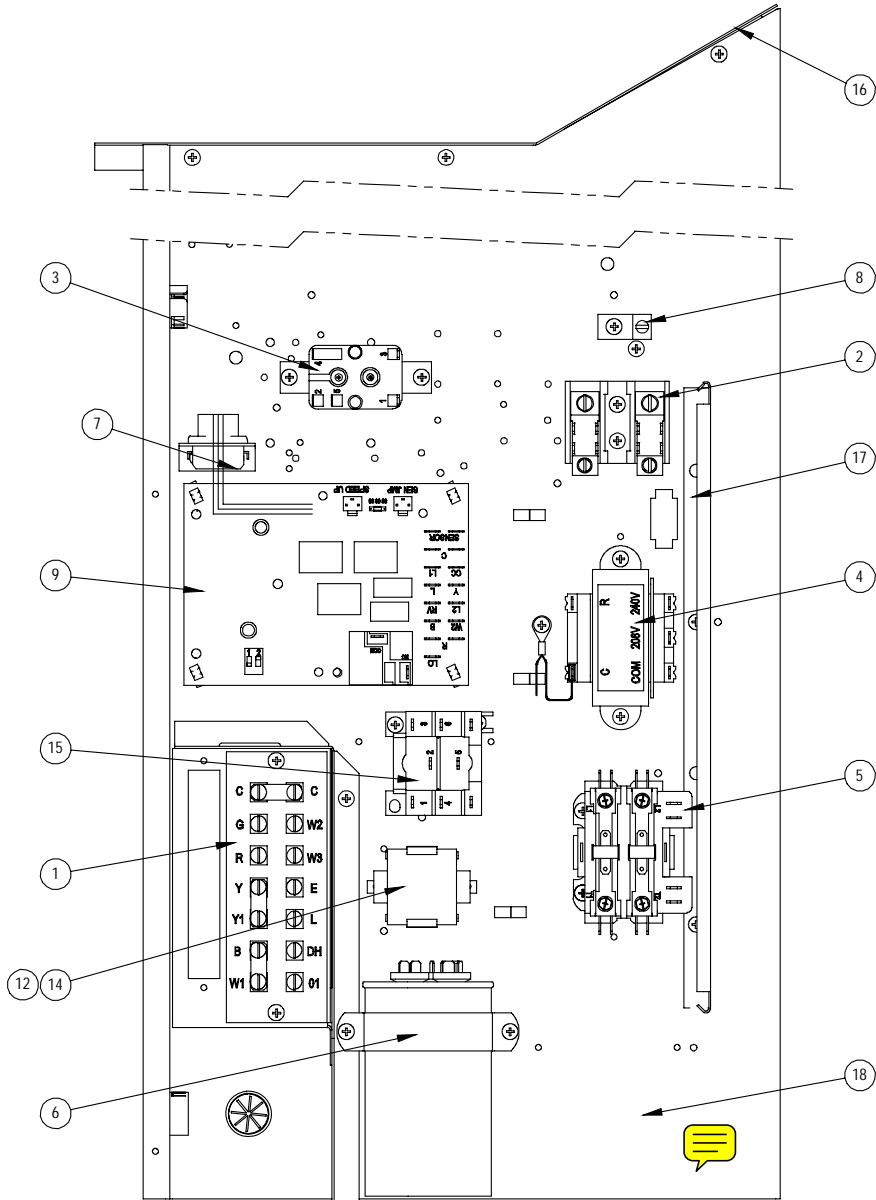
NS = Not Shown

FUNCTIONAL COMPONENTS – DEHUM. MODELS

Drawing No.	Part No.	Description	W30H1DA	W30H1DB	W30H1DC	W36H1DA	W36H1DB	W36H1DC
1	8000-298	Compressor	X					
1	8000-299	Compressor		X				
1	8000-300	Compressor			X			
1	8000-309	Compressor				X		
1	8000-310	Compressor					X	
1	8000-311	Compressor						X
2	S900-231	Blower Assembly	X	X		X	X	
2	S900-232	Blower Assembly			X			X
3	8200-001	Fan Motor Mount	X	X	X	X	X	X
4	5151-045	Fan Blade	X	X	X	X	X	X
5	8103-013	Condenser Motor	X	X		X	X	
5	8103-020	Condenser Motor			X			X
6	5051-112BX	Condenser Coil				X	X	X
6	5051-157BX	Condenser Coil	X	X	X			
7	5651-174	Cooling Expansion Valve	X	X	X	X	X	X
7	800-0392	Cooling Distributor Assembly	X	X	X			
7	800-0393	Cooling Distributor Assembly				X	X	X
8	917-0043BX	Evaporator Coil Assembly	X	X	X			
8	917-0123BX	Evaporator Coil Assembly				X	X	X
9	7004-019	Air Filter 1" Throw Away	X	X	X	X	X	X
9	7003-031	Air Filter 1" Washable (Optional)	X	X	X	X	X	X
9	7004-026	Air Filter 2" Pleated (Optional)	X	X	X	X	X	X
10	1171-022	1/4" Turn Fastener	X	X	X	X	X	X
11	1171-024	1/4" Turn Retainer	X	X	X	X	X	X
12	1171-023	1/4" Receptacle	X	X	X	X	X	X
13	5650-039	Reversing Valve with 24V Solenoid Coil	X	X	X	X	X	X
14	5650-042	Rev. Valve Solenoid, Red Casing (Ranco)	X	X	X	X	X	X
14	5650-043	Rev. Valve Solenoid, Black Casing (Wilspec)	X	X	X	X	X	X
14	5650-046	Rev. Valve Solenoid, Black Casing (San Hua)	X	X	X	X	X	X
15	5650-037	Molded Plug 36" Lead	X	X	X	X	X	X
16	5201-009	Filter Drier	X	X	X	X	X	X
17	8620-095	Defrost Sensor	X	X	X	X	X	X
18	5651- 	Heating TXV Thermal Expansion Valve	X	X	X	X	X	X
19	1804-0385	High Pressure Switch (Flare) (Optional)	X	X	X	X	X	X
20	800-0278	Heating Distributor Assembly				X	X	X
20	800-0 	Heating Distributor Assembly	X	X	X			
NS	1804-0407	Low Pressure Switch (Flare) (Optional)	X	X	X	X	X	X
NS	CMA 	Low Ambient Control (Flare) (Optional)	X	X	X	X	X	X
NS	5650-042	Rev. Valve Solenoid, Red Casing (Ranco)	X	X	X	X	X	X
NS	5650-046	Rev. Valve Solenoid, Black Casing (San Hua)	X	X	X	X	X	X
NS	5650-045	3-Way Valve with 24V Solenoid Coil	X	X	X	X	X	X
NS	5625-043	Flow Control (Orifice)	X	X	X	X	X	X

NS = Not Shown

CONTROL PANEL COMPONENTS



SEXP-530 A

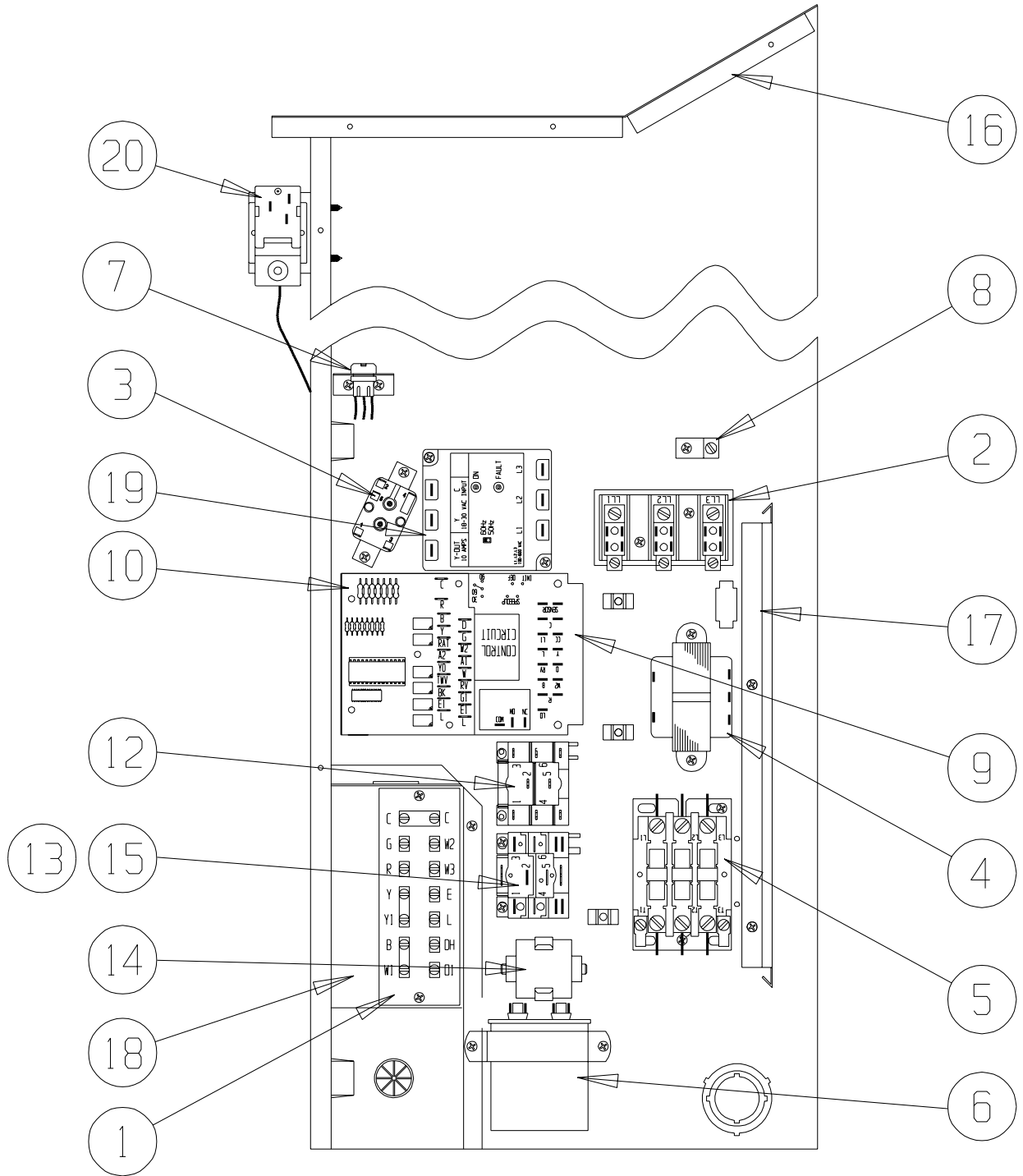
CONTROL PANEL COMPONENTS

Drawing No.	Part No.	Description	W30H1-A	W30H1-B	W30H1-C	W36H1-A	W36H1-B	W36H1-C
1	8607-019	Low Voltage Terminal Strip	X	X	X	X	X	X
2	8607-013	Terminal Block 2 Pole	X			X		
2	8607-014	Terminal Block 3 Pole		X	X		X	X
2	8607-015	Phenolic Insulator			X			X
3	8201-009	Blower Control Relay	X	X		X	X	
3	8201-032	Blower Control Relay			X			X
4	8407-035	Transformer	X	X		X	X	
4	8407-042	Transformer			X			X
5	8401-007	Compressor Contactor	X			X		
5	8401-002	Compressor Contactor		X	X		X	X
6	8552-052	Compressor Capacitor	X			X		
6	8552-002	Outdoor Motor Capacitor		X	X		X	X
7	3000-1284	Wire Assembly	X	X	X	X	X	X
8	8611-006	Ground Terminal	X	X	X	X	X	X
9	8201-119	Heat Pump Control Board	X	X	X	X	X	X
12	8201-086	LAC Bypass Relay ①	X	X	X	X	X	X
14	8551-004	Start Device (PTCR) ①	X			X		
15	8201-032	Outdoor Fan Relay			X			X
16	117X137	Control Panel Top	X	X	X	X	X	X
17	135-122	Wire Shield	X	X	X	X	X	X
18	117X232	Control Panel	X	X	X	X	X	X
NS	4096-140	Wiring Diagram	X			X		
NS	4096-242	Wiring Diagram		X			X	
NS	4096-341	Wiring Diagram			X			X
NS	8201-085	3-Phase Line Monitor			X			X

NS = Not Shown

① = Optional

CONTROL PANEL COMPONENTS

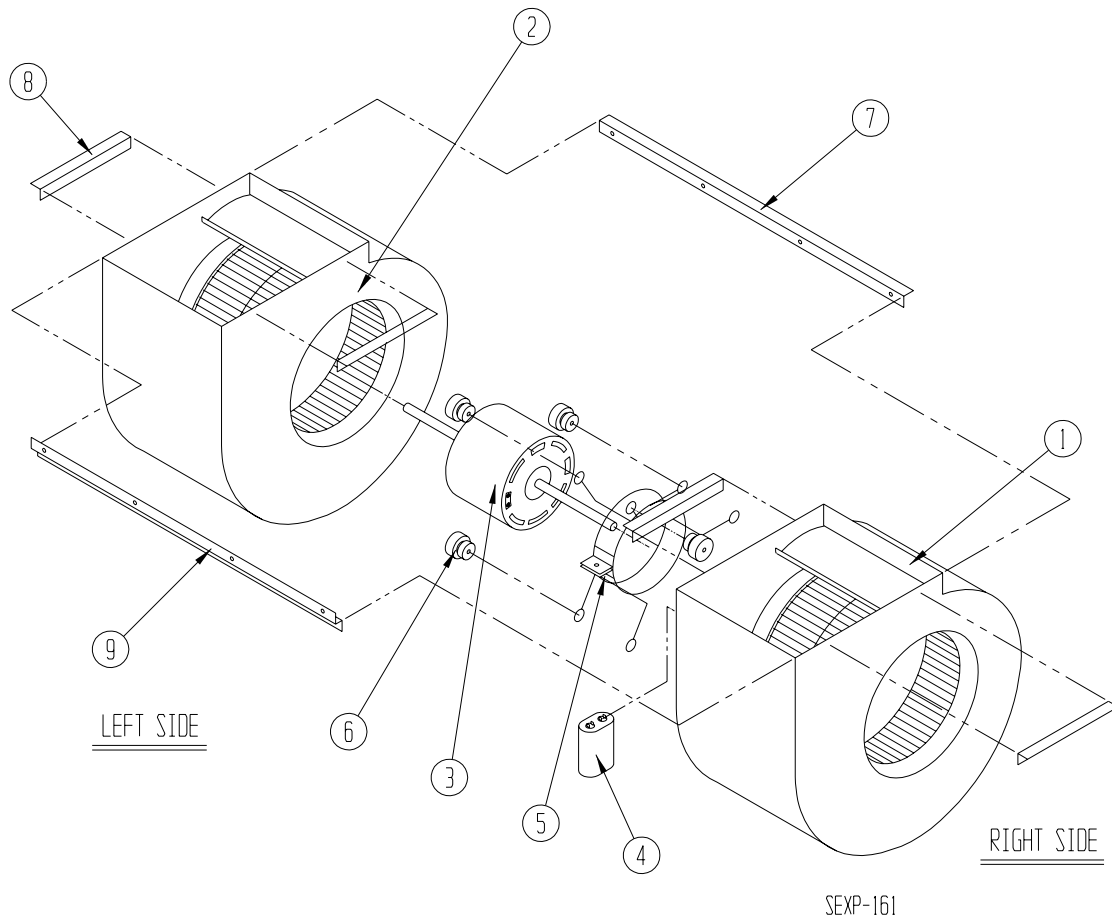


SEXP-542

CONTROL PANEL COMPONENTS – DEHUM. MODELS

Drawing No.	Part No.	Description	W30H1DA	W30H1DB	W30H1DC	W36H1DA	W36H1DB	W36H1DC
1	8607-019	Low Voltage Terminal Strip	X	X	X	X	X	X
2	8607-013	Terminal Block 2 Pole	X			X		
2	8607-014	Terminal Block 3 Pole		X	X		X	X
2	8607-015	Phenolic Insulator			X			X
3	8201-009	Blower Control Relay			X			X
3	8201-050	Blower Control Relay	X	X		X	X	
4	8407-035	Transformer	X	X		X	X	
4	8407-042	Transformer			X			X
5	8401-007	Compressor Contactor	X			X		
5	8401-002	Compressor Contactor		X	X		X	X
6	8552-052	Compressor Capacitor	X			X		
6	8552-002	Outdoor Motor Capacitor		X	X		X	X
7	3000-1285	6 Pin Wire Assembly	X	X	X	X	X	X
8	8611-006	Ground Terminal	X	X	X	X	X	X
9	8201-119	Heat Pump Control Board	X	X	X	X	X	X
10	8201-113	Dehumidification Logic Board	X	X	X	X	X	X
12	8201-086	LAC Bypass Relay ①	X	X	X	X	X	X
13	8607-017	LAC Terminal Block ①	X	X	X	X	X	X
14	8551-004	Start Device (PTCR) ①	X			X		
15	8201-032	Outdoor Fan Relay			X			X
16	117X137	Control Panel Top	X	X	X	X	X	X
17	135-122	Wire Shield	X	X	X	X	X	X
18	117X232	Control Panel	X	X	X	X	X	X
19	8201-085	3-Phase Line Monitor		X	X		X	X
20	8408-037	Return Air Thermostat	X	X	X	X	X	X
NS	4096-143	Wiring Diagram	X			X		
NS	4096-244	Wiring Diagram		X			X	
NS	4096-342	Wiring Diagram			X			X

BLOWER ASSEMBLY



Drawing No.	Part No.	Description	S900-231	S900-232
1	151-111	Blower Housing	2	2
2	144-174	Diffuser	2	2
3	8105-029	Blower Motor (230/208)	X	
3	8105-033	Blower Motor (460)		X
4	8552-002	Capacitor	X	X
5	8200-031	Motor Mount	X	X
6	5451-011	Grommets	6	6
7	105-870	Back Brace	X	X
8	103-401	Front Brace	X	X
9	5152-090	Wheel CW	X	X
10	5152-091	Wheel CCW	X	X