



# REPLACEMENT PARTS MANUAL

# WALL MOUNTED PACKAGE HEAT PUMPS

Models: **W30H1**    **W30H1D**  
**W36H1**    **W36H1D**

## General Notes

- Revised and/or additional pages may be issued from time to time.
- A complete and current manual consists of pages shown in the following contents section.

## Important

- Contact the installing and/or local Bard distributor for all parts requirements. Make sure you have the complete model and serial number available from the unit rating plate.

## Contents

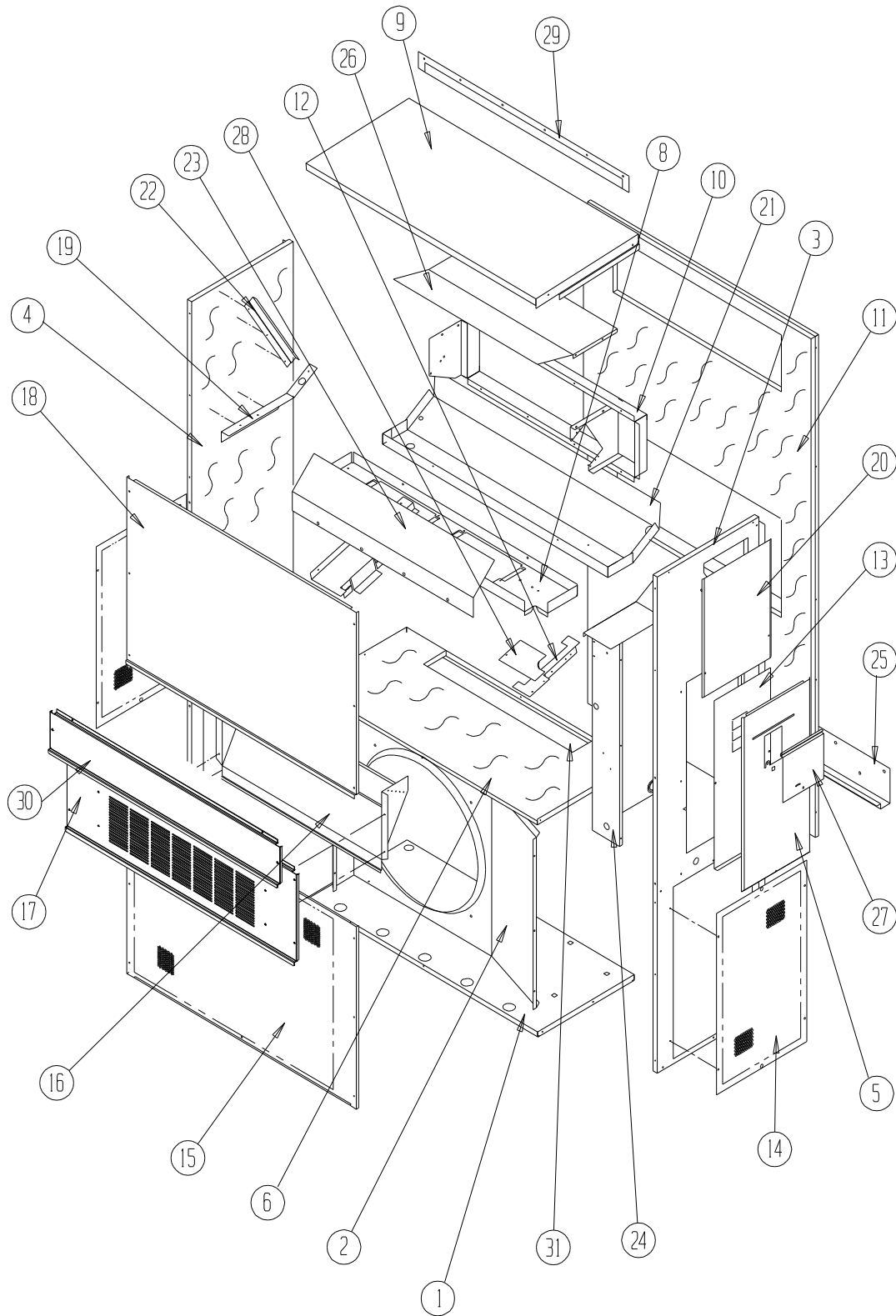
| Description                           | Page |
|---------------------------------------|------|
| Cabinet Components                    |      |
| ♦ Exploded View .....                 | 2    |
| ♦ Usage List .....                    | 3    |
| Functional Components                 |      |
| ♦ Exploded View .....                 | 4    |
| ♦ Usage List .....                    | 5    |
| Functional Components - Dehum. Models |      |
| ♦ Usage List .....                    | 6    |
| Control Panel                         |      |
| ♦ Layout View.....                    | 7    |
| ♦ Usage List .....                    | 8    |
| Control Panel                         |      |
| ♦ Layout View.....                    | 9    |
| ♦ Usage List - Dehum. ....            | 10   |
| Blower Housing                        |      |
| ♦ Exploded View .....                 | 11   |
| ♦ Usage List .....                    | 11   |



Bard Manufacturing Company, Inc.  
 Bryan, Ohio 43506  
*Since 1914...Moving ahead, just as planned.*

Manual: 2110-572H  
 Supersedes: 2110-572G  
 File: Tab 17  
 Date: 09-28-12

# CABINET COMPONENTS



SEXP-514 A

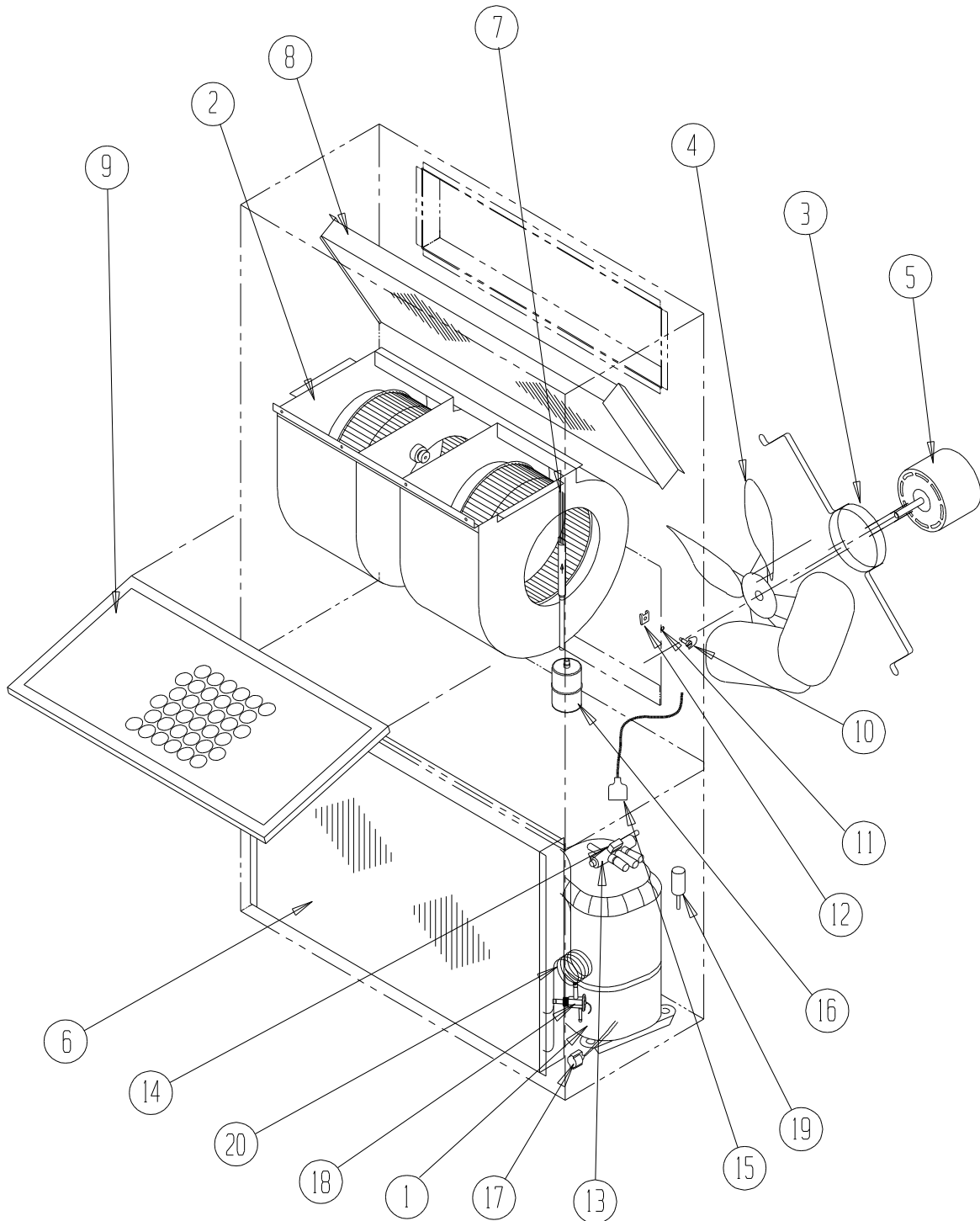
# CABINET COMPONENTS

| Drawing No. | Part No.               | Description                                  | W30H1-A,-B | W30H1-C | W36H1-A,-B | W36H1-C | W30H1DA,DB | W30H1DC | W36H1DA,DB | W36H1DC |
|-------------|------------------------|--|------------|---------|------------|---------|------------|---------|------------|---------|
| 1           | S127-199               | Lower Base                                   | X          | X       | X          | X       | X          | X       | X          | X       |
| 1           | S127-368 ③             | Lower Base                                   | X          | X       | X          | X       | X          | X       | X          | X       |
| 2           | 125-022                | Fan Shroud                                   | X          | X       | X          | X       | X          | X       | X          | X       |
| 2           | 125-057 ③              | Fan Shroud                                   | X          | X       | X          | X       | X          | X       | X          | X       |
| 3           | S500-228-* ①           | Right Side                                   | X          | X       | X          | X       | X          | X       | X          | X       |
| 3           | S500-527 ③             | Right Side                                   | X          | X       | X          | X       | X          | X       | X          | X       |
| 4           | S500-229-* ①           | Left Side                                    | X          | X       | X          | X       | X          | X       | X          | X       |
| 4           | S500X528 ③             | Left Side                                    | X          | X       | X          | X       | X          | X       | X          | X       |
| 5           | S533-109-* ①           | Control Panel Cover (Outer)                  | X          | X       | X          | X       | X          | X       | X          | X       |
| 5           | S533-197 ③             | Control Panel Cover (Outer)                  | X          | X       | X          | X       | X          | X       | X          | X       |
| 6           | S521X384               | Condenser Partition                          | X          | X       | X          | X       | X          | X       | X          | X       |
| 8           | 121X182                | Blower Partition                             | X          | X       | X          | X       | X          | X       | X          | X       |
| 9           | S506-130-* ①           | Top  | X          | X       | X          | X       | X          | X       | X          | X       |
| 9           | S506-275 ③             | Top  | X          | X       | X          | X       | X          | X       | X          | X       |
| 10          | S111X030               | Outlet Airframe Assembly                     | X          | X       | X          | X       | X          | X       | X          | X       |
| 11          | S508-088               | Back   | X          | X       | X          | X       | X          | X       | X          | X       |
| 11          | S508-222 ③             | Back   | X          | X       | X          | X       | X          | X       | X          | X       |
| 12          | 113X195                | Filter Bracket                               | 2          | 2       | 2          | 2       | 2          | 2       | 2          | 2       |
| 13          | S132-104               | Control Panel Cover (Inner)                  | X          |         | X          |         | X          |         | X          |         |
| 13          | S132-172               | Control Panel Cover (Inner)                  |            | X       |            | X       |            | X       |            | X       |
| 14          | 118-056-* ①            | Side Grille                                  | 2          | 2       | 2          | 2       | 2          | 2       | 2          | 2       |
| 14          | 118-067 ③              | Side Grille                                  | 2          | 2       | 2          | 2       | 2          | 2       | 2          | 2       |
| 15          | 118-059-* ①            | Condenser Grille                             | X          | X       | X          | X       | X          | X       | X          | X       |
| 15          | 118-066 ③              | Condenser Grille                             | X          | X       | X          | X       | X          | X       | X          | X       |
| 16          | BFAD-3                 | Fresh Air Damper Assembly                    | X          | X       | X          | X       | X          | X       | X          | X       |
| 17          | S552-443-* ①           | Vent Option Door                             | X          | X       | X          | X       | X          | X       | X          | X       |
| 17          | S552-445-* ①           | Vent Option Door with ERV                    | X          | X       | X          | X       | X          | X       | X          | X       |
| 17          | S552-458 ③             | Vent Option Door                             | X          | X       | X          | X       | X          | X       | X          | X       |
| 18          | S514-160-* ①           | Upper Front                                  | X          | X       | X          | X       | X          | X       | X          | X       |
| 18          | S514-166 ③             | Upper Front                                  | X          | X       | X          | X       | X          | X       | X          | X       |
| 19          | 105X850                | Left Side Support                            | X          | X       | X          | X       | X          | X       | X          | X       |
| 20          | S143-034-* ①           | Right Side Cover Plate (Outer)               | X          | X       | X          | X       | X          | X       | X          | X       |
| 20          | S143-127 ③             | Right Side Cover Plate (Outer)               | X          | X       | X          | X       | X          | X       | X          | X       |
| 21          | S123-078               | Drain Pan                                    | X          | X       | X          | X       | X          | X       | X          | X       |
| 22          | 147-044                | Evaporator Support                           | X          | X       | X          | X       | X          | X       | X          | X       |
| 23          | 135-124                | Air Baffle                                   | X          | X       | X          | X       | X          | X       | X          | X       |
| 24          | Control Panel Assembly | See Control Panel Assy. Drawing & Parts List | X          | X       | X          | X       | X          | X       | X          | X       |
| 25          | 113-140                | Bottom Mounting Bracket                      | 1          | 1       | 1          | 1       | 1          | 1       | 1          | 1       |
| 26          | 135X123                | Heat Shield                                  | X          | X       | X          | X       | X          | X       | X          | X       |
| 27          | S153-218-* ①           | Disconnect Access Door                       | X          | X       | X          | X       | X          | X       | X          | X       |
| 27          | S153-405 ③             | Disconnect Access Door                       | X          | X       | X          | X       | X          | X       | X          | X       |
| 28          | 137-259                | Fill Plate                                   | X          | X       | X          | X       | X          | X       | X          | X       |
| 29          | 113-149-* ①            | Top Rain Flashing                            | X          | X       | X          | X       | X          | X       | X          | X       |
| 29          | 113-360 ③              | Top Rain Flashing                            | X          | X       | X          | X       | X          | X       | X          | X       |
| 30          | S552-444-* ①           | Filter Door                                  | X          | X       | X          | X       | X          | X       | X          | X       |
| 30          | S552-459 ③             | Filter Door                                  | X          | X       | X          | X       | X          | X       | X          | X       |
| 31          | S536-498               | Condenser Partition Block-Off Plate          | X          | X       | X          | X       | X          | X       | X          | X       |

① Exterior cabinet parts are manufactured with various paint color options. To ensure that you receive the proper paint color, please reference the following codes:  
 Beige - X                      White - 1                      Buckeye Gray - 4                      Desert Brown - 5                      Dark Bronze - 8

③ Note: Exterior cabinet parts are manufactured from stainless steel Code "S"

# FUNCTIONAL COMPONENTS



SEXP-529

# FUNCTIONAL COMPONENTS

| Drawing No. | Part No.   | Description                                 | W30H1-A | W30H1-B | W30H1-C | W36H1-A | W36H1-B | W36H1-C |
|-------------|------------|---|---------|---------|---------|---------|---------|---------|
| 1           | 8000-298   | Compressor                                  | X       |         |         |         |         |         |
| 1           | 8000-299   | Compressor                                  |         | X       |         |         |         |         |
| 1           | 8000-300   | Compressor                                  |         |         | X       |         |         |         |
| 1           | 8000-309   | Compressor                                  |         |         |         | X       |         |         |
| 1           | 8000-310   | Compressor                                  |         |         |         |         | X       |         |
| 1           | 8000-311   | Compressor                                  |         |         |         |         |         | X       |
| 2           | S900-231   | Blower Assembly                             | X       | X       |         | X       | X       |         |
| 2           | S900-232   | Blower Assembly                             |         |         | X       |         |         | X       |
| 3           | 8200-001   | Fan Motor Mount                             | X       | X       | X       | X       | X       | X       |
| 4           | 5151-045   | Fan Blade                                   | X       | X       | X       | X       | X       | X       |
| 5           | 8103-013   | Condenser Motor                             | X       | X       |         | X       | X       |         |
| 5           | 8103-020   | Condenser Motor                             |         |         | X       |         |         | X       |
| 6           | 5051-112BX | Condenser Coil                              |         |         |         | X       | X       | X       |
| 6           | 5051-157BX | Condenser Coil                              | X       | X       | X       |         |         |         |
| 7           | 800-0649   | Cooling Distributor Assembly                |         |         |         | X       | X       | X       |
| 7           | 800-0357   | Cooling Distributor Assembly                | X       | X       | X       |         |         |         |
| 8           | 5060-064BX | Evaporator Coil                             | X       | X       | X       |         |         |         |
| 8           | 5060-136BX | Evaporator Coil                             |         |         |         | X       | X       | X       |
| 9           | 7004-019   | Air Filter 1" Throw Away                    | X       | X       | X       | X       | X       | X       |
| 9           | 7003-031   | Air Filter 1" Washable (Optional)           | X       | X       | X       | X       | X       | X       |
| 9           | 7004-026   | Air Filter 2" Pleated (Optional)            | X       | X       | X       | X       | X       | X       |
| 10          | 1171-022   | 1/4" Turn Fastener                          | X       | X       | X       | X       | X       | X       |
| 11          | 1171-024   | 1/4" Turn Retainer                          | X       | X       | X       | X       | X       | X       |
| 12          | 1171-023   | 1/4" Receptacle                             | X       | X       | X       | X       | X       | X       |
| 13          | 5650-039   | Reversing Valve w/24V Solenoid Coil         | X       | X       | X       | X       | X       | X       |
| 14          | 5650-042   | Rev. Valve Solenoid, Red Casing (Ranco)     | X       | X       | X       | X       | X       | X       |
| 14          | 5650-043   | Rev. Valve Solenoid, Black Casing (Wilspec) | X       | X       | X       | X       | X       | X       |
| 14          | 5650-046   | Rev. Valve Solenoid, Black Casing (San Hua) | X       | X       | X       | X       | X       | X       |
| 15          | 5650-037   | Molded Plug 36" Lead                        | X       | X       | X       | X       | X       | X       |
| 16          | 5201-009   | Filter Drier                                | X       | X       | X       | X       | X       | X       |
| 17          | 8620-224   | Defrost Sensor                              | X       | X       | X       | X       | X       | X       |
| 18          | 5651-177   | Heating TXV Thermal Expansion Valve         | X       | X       | X       | X       | X       | X       |
| 19          | 1804-0385  | High Pressure Switch (Flare) (Optional)     | X       | X       | X       | X       | X       | X       |
| 20          | 800-0378   | Heating Distributor Assembly                |         |         |         | X       | X       | X       |
| 20          | 800-0186   | Heating Distributor Assembly                | X       | X       | X       |         |         |         |
| NS          | 1804-0107  | Low Pressure Switch (Flare) (Optional)      | X       | X       | X       | X       | X       | X       |
| NS          | CMA-28     | Low Ambient Control (Flare) (Optional)      | X       | X       | X       | X       | X       | X       |

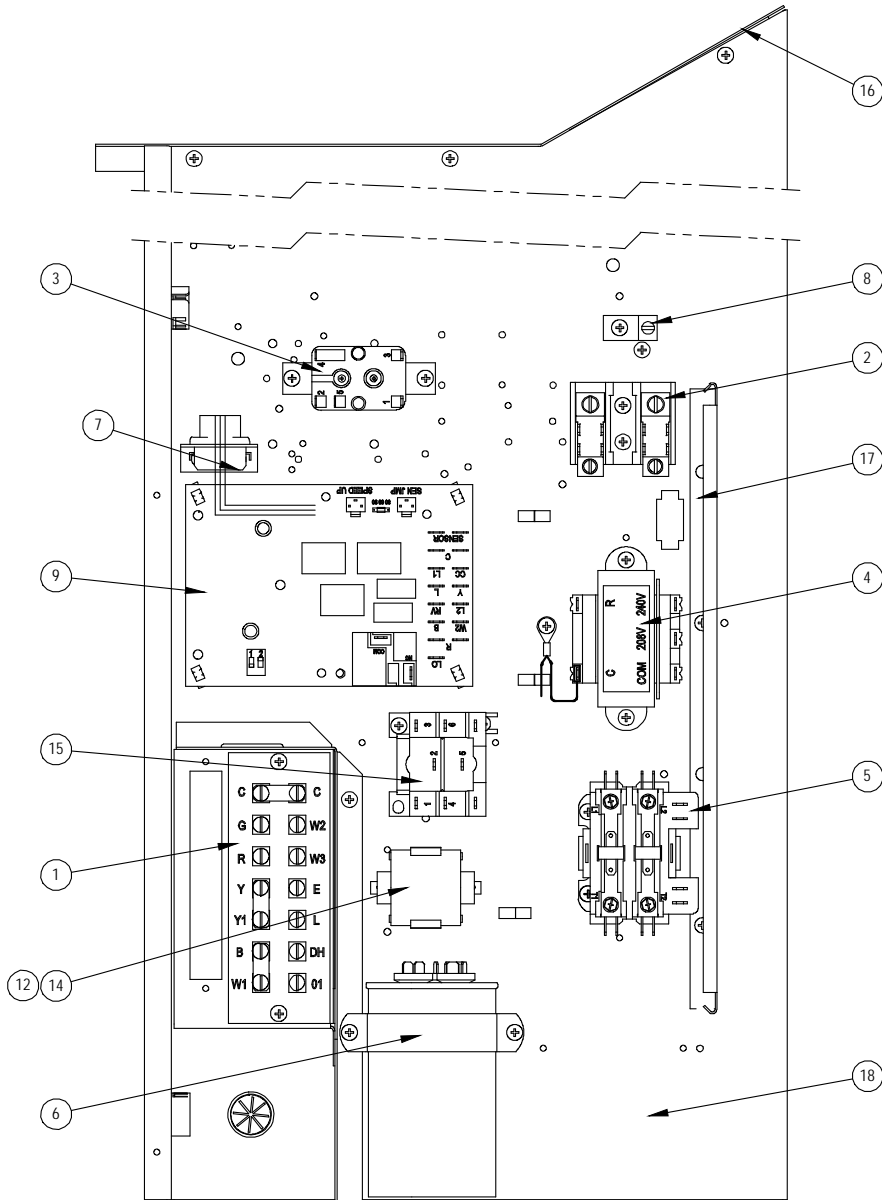
NS = Not Shown

# FUNCTIONAL COMPONENTS – DEHUM. MODELS

| Drawing No. | Part No.   | Description                                 | W30H1DA | W30H1DB | W30H1DC | W36H1DA | W36H1DB | W36H1DC |
|-------------|------------|---|---------|---------|---------|---------|---------|---------|
| 1           | 8000-298   | Compressor                                  | X       |         |         |         |         |         |
| 1           | 8000-299   | Compressor                                  |         | X       |         |         |         |         |
| 1           | 8000-300   | Compressor                                  |         |         | X       |         |         |         |
| 1           | 8000-309   | Compressor                                  |         |         |         | X       |         |         |
| 1           | 8000-310   | Compressor                                  |         |         |         |         | X       |         |
| 1           | 8000-311   | Compressor                                  |         |         |         |         |         | X       |
| 2           | S900-231   | Blower Assembly                             | X       | X       |         | X       | X       |         |
| 2           | S900-232   | Blower Assembly                             |         |         | X       |         |         | X       |
| 3           | 8200-001   | Fan Motor Mount                             | X       | X       | X       | X       | X       | X       |
| 4           | 5151-045   | Fan Blade                                   | X       | X       | X       | X       | X       | X       |
| 5           | 8103-013   | Condenser Motor                             | X       | X       |         | X       | X       |         |
| 5           | 8103-020   | Condenser Motor                             |         |         | X       |         |         | X       |
| 6           | 5051-112BX | Condenser Coil                              |         |         |         | X       | X       | X       |
| 6           | 5051-157BX | Condenser Coil                              | X       | X       | X       |         |         |         |
| 7           | 5651-174   | Cooling Expansion Valve                     | X       | X       | X       | X       | X       | X       |
| 7           | 800-0392   | Cooling Distributor Assembly                | X       | X       | X       |         |         |         |
| 7           | 800-0393   | Cooling Distributor Assembly                |         |         |         | X       | X       | X       |
| 8           | 917-0043BX | Evaporator Coil Assembly                    | X       | X       | X       |         |         |         |
| 8           | 917-0123BX | Evaporator Coil Assembly                    |         |         |         | X       | X       | X       |
| 9           | 7004-019   | Air Filter 1" Throw Away                    | X       | X       | X       | X       | X       | X       |
| 9           | 7003-031   | Air Filter 1" Washable (Optional)           | X       | X       | X       | X       | X       | X       |
| 9           | 7004-026   | Air Filter 2" Pleated (Optional)            | X       | X       | X       | X       | X       | X       |
| 10          | 1171-022   | 1/4" Turn Fastener                          | X       | X       | X       | X       | X       | X       |
| 11          | 1171-024   | 1/4" Turn Retainer                          | X       | X       | X       | X       | X       | X       |
| 12          | 1171-023   | 1/4" Receptacle                             | X       | X       | X       | X       | X       | X       |
| 13          | 5650-039   | Reversing Valve w/24V Solenoid Coil         | X       | X       | X       | X       | X       | X       |
| 14          | 5650-042   | Rev. Valve Solenoid, Red Casing (Ranco)     | X       | X       | X       | X       | X       | X       |
| 14          | 5650-043   | Rev. Valve Solenoid, Black Casing (Wilspec) | X       | X       | X       | X       | X       | X       |
| 14          | 5650-046   | Rev. Valve Solenoid, Black Casing (San Hua) | X       | X       | X       | X       | X       | X       |
| 15          | 5650-037   | Molded Plug 36" Lead                        | X       | X       | X       | X       | X       | X       |
| 16          | 5201-009   | Filter Drier                                | X       | X       | X       | X       | X       | X       |
| 17          | 8620-224   | Defrost Sensor                              | X       | X       | X       | X       | X       | X       |
| 18          | 565        | Heating TXV Thermal Expansion Valve         | X       | X       | X       | X       | X       | X       |
| 19          | 1804-0385  | High Pressure Switch (Flare) (Optional)     | X       | X       | X       | X       | X       | X       |
| 20          | 800-0378   | Heating Distributor Assembly                |         |         |         | X       | X       | X       |
| 20          | 800-01     | Heating Distributor Assembly                | X       | X       | X       |         |         |         |
| NS          | 1804       | Low Pressure Switch (Flare) (Optional)      | X       | X       | X       | X       | X       | X       |
| NS          | CMA        | Low Ambient Control (Flare) (Optional)      | X       | X       | X       | X       | X       | X       |
| NS          | 5650-042   | Rev. Valve Solenoid, Red Casing (Ranco)     | X       | X       | X       | X       | X       | X       |
| NS          | 5650-046   | Rev. Valve Solenoid, Black Casing (San Hua) | X       | X       | X       | X       | X       | X       |
| NS          | 5650-045   | 3-Way Valve with 24V Solenoid Coil          | X       | X       | X       | X       | X       | X       |
| NS          | 5650-043   | Flow Control (Orifice)                      | X       | X       | X       | X       | X       | X       |

NS = Not Shown

# CONTROL PANEL COMPONENTS



SEXP-530 A

# CONTROL PANEL COMPONENTS

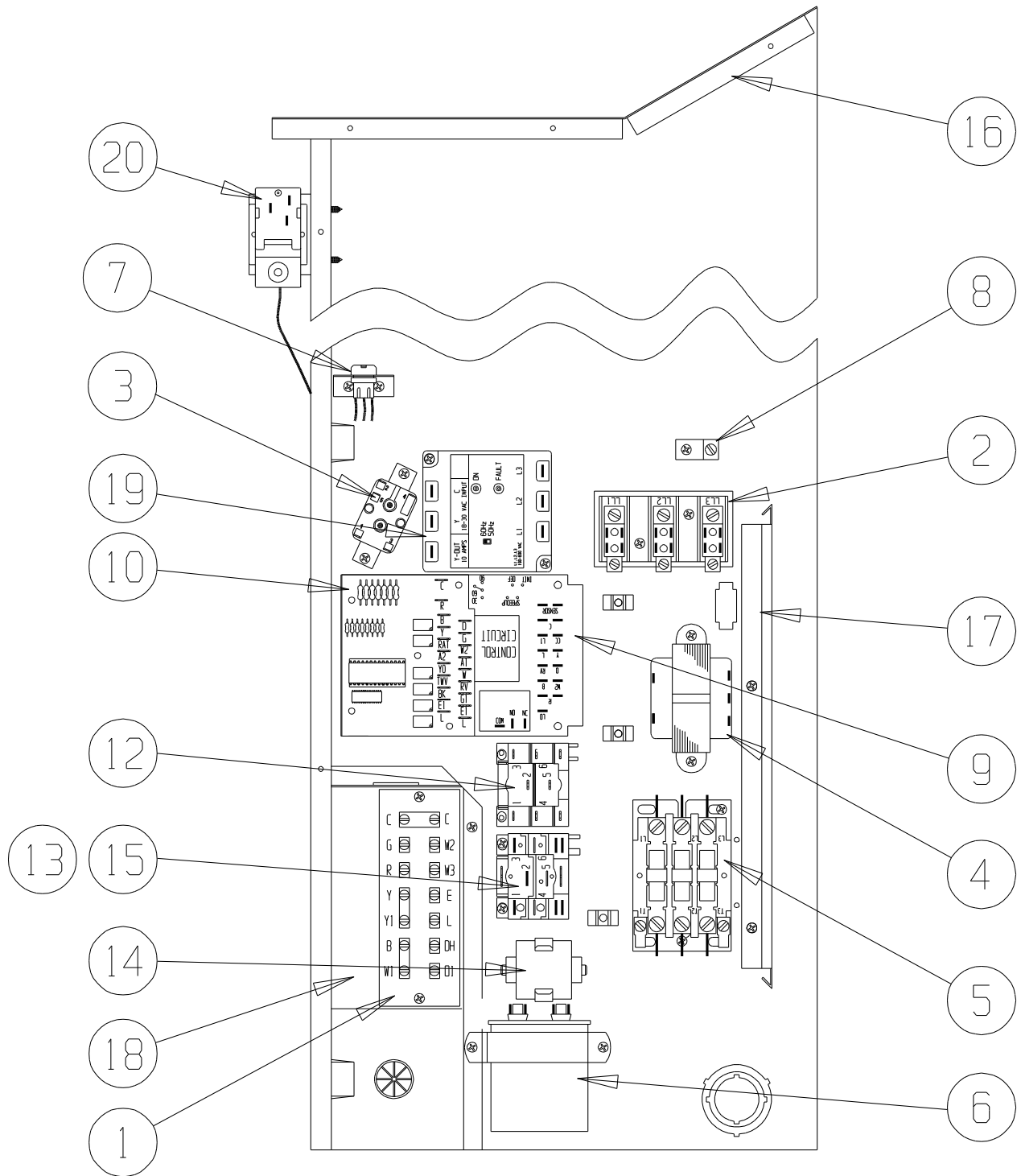
| Drawing No. | Part No.  | Description                | W30H1-A | W30H1-B | W30H1-C | W36H1-A | W36H1-B | W36H1-C |
|-------------|-----------|----------------------------|---------|---------|---------|---------|---------|---------|
| 1           | 8607-019  | Low Voltage Terminal Strip | X       | X       | X       | X       | X       | X       |
| 2           | 8607-013  | Terminal Block 2 Pole      | X       |         |         | X       |         |         |
| 2           | 8607-014  | Terminal Block 3 Pole      |         | X       | X       |         | X       | X       |
| 2           | 8607-015  | Phenolic Insulator         |         |         | X       |         |         | X       |
| 3           | 8201-009  | Blower Control Relay       | X       | X       |         | X       | X       |         |
| 3           | 8201-032  | Blower Control Relay       |         |         | X       |         |         | X       |
| 4           | 8407-035  | Transformer                | X       | X       |         | X       | X       |         |
| 4           | 8407-042  | Transformer                |         |         | X       |         |         | X       |
| 5           | 8401-007  | Compressor Contactor       | X       |         |         | X       |         |         |
| 5           | 8401-002  | Compressor Contactor       |         | X       | X       |         | X       | X       |
| 6           | 8552-052  | Compressor Capacitor       | X       |         |         | X       |         |         |
| 6           | 8552-002  | Outdoor Motor Capacitor    |         | X       | X       |         | X       | X       |
| 7           | 3000-1284 | Wire Assembly              | X       | X       | X       | X       | X       | X       |
| 8           | 8611-006  | Ground Terminal            | X       | X       | X       | X       | X       | X       |
| 9           | 8620-223  | Heat Pump Control Board    | X       | X       | X       | X       | X       | X       |
| 12          | 8201-086  | LAC Bypass Relay ①         | X       | X       | X       | X       | X       | X       |
| 14          | 8551-004  | Start Device (PTCR) ①      | X       |         |         | X       |         |         |
| 15          | 8201-032  | Outdoor Fan Relay          |         |         | X       |         |         | X       |
| 16          | 117X137   | Control Panel Top          | X       | X       | X       | X       | X       | X       |
| 17          | 135-122   | Wire Shield                | X       | X       | X       | X       | X       | X       |
| 18          | 117X232   | Control Panel              | X       | X       | X       | X       | X       | X       |
| NS          | 4096-140  | Wiring Diagram             | X       |         |         | X       |         |         |
| NS          | 4096-242  | Wiring Diagram             |         | X       |         |         | X       |         |
| NS          | 4096-341  | Wiring Diagram             |         |         | X       |         |         | X       |
| NS          | 8201-085  | 3-Phase Line Monitor       |         | X       | X       |         | X       | X       |

NS = Not Shown

① = Optional



# CONTROL PANEL COMPONENTS



SEXP-542

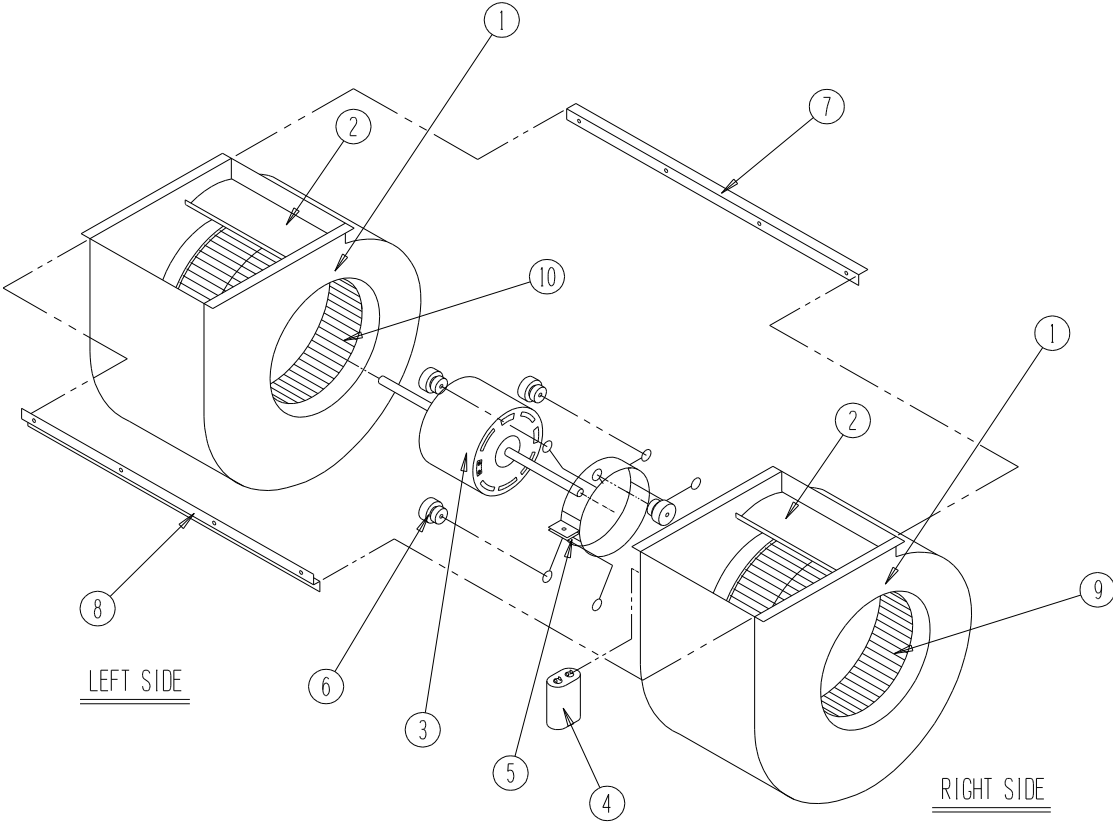
# CONTROL PANEL COMPONENTS – DEHUM. MODELS

| Drawing No. | Part No.  | Description                  | W30H1DA | W30H1DB | W30H1DC | W36H1DA | W36H1DB | W36H1DC |
|-------------|-----------|------------------------------|---------|---------|---------|---------|---------|---------|
| 1           | 8607-019  | Low Voltage Terminal Strip   | X       | X       | X       | X       | X       | X       |
| 2           | 8607-013  | Terminal Block 2 Pole        | X       |         |         | X       |         |         |
| 2           | 8607-014  | Terminal Block 3 Pole        |         | X       | X       |         | X       | X       |
| 2           | 8607-015  | Phenolic Insulator           |         |         | X       |         |         | X       |
| 3           | 8201-055  | Blower Control Relay         |         |         | X       |         |         | X       |
| 3           | 8201-055  | Blower Control Relay         | X       | X       |         | X       | X       |         |
| 4           | 8407-048  | Transformer 65VA             | X       | X       |         | X       | X       |         |
| 4           | 8407-050  | Transformer 65VA             |         |         | X       |         |         | X       |
| 5           | 8401-007  | Compressor Contactor         | X       |         |         | X       |         |         |
| 5           | 8401-002  | Compressor Contactor         |         | X       | X       |         | X       | X       |
| 6           | 8552-052  | Compressor Capacitor         | X       |         |         | X       |         |         |
| 6           | 8552-002  | Outdoor Motor Capacitor      |         | X       | X       |         | X       | X       |
| 7           | 3000-1285 | 6 Pin Wire Assembly          | X       | X       | X       | X       | X       | X       |
| 8           | 8611-006  | Ground Terminal              | X       | X       | X       | X       | X       | X       |
| 9           | 8620-223  | Heat Pump Control Board      | X       | X       | X       | X       | X       | X       |
| 10          | 8201-113  | Dehumidification Logic Board | X       | X       | X       | X       | X       | X       |
| 12          | 8201-086  | LAC Bypass Relay ①           | X       | X       | X       | X       | X       | X       |
| 13          | 8607-017  | LAC Terminal Block ①         | X       | X       | X       | X       | X       | X       |
| 14          | 8551-004  | Start Device (PTCR) ①        | X       |         |         | X       |         |         |
| 15          | 8201-032  | Outdoor Fan Relay            |         |         | X       |         |         | X       |
| 16          | 117X137   | Control Panel Top            | X       | X       | X       | X       | X       | X       |
| 17          | 135-122   | Wire Shield                  | X       | X       | X       | X       | X       | X       |
| 18          | 117X232   | Control Panel                | X       | X       | X       | X       | X       | X       |
| 19          | 8201-085  | 3-Phase Line Monitor         |         | X       | X       |         | X       | X       |
| 20          | 8408-037  | Return Air Thermostat        | X       | X       | X       | X       | X       | X       |
| NS          | 4096-143  | Wiring Diagram               | X       |         |         | X       |         |         |
| NS          | 4096-244  | Wiring Diagram               |         | X       |         |         | X       |         |
| NS          | 4096-342  | Wiring Diagram               |         |         | X       |         |         | X       |

NS = Not Shown

① = Optional

# BLOWER ASSEMBLY



SEXP-346

| Drawing No. | Part No. | Description            | S900-231 | S900-232 |
|-------------|----------|------------------------|----------|----------|
| 1           | 151-111  | Blower Housing         | 2        | 2        |
| 2           | 144-174  | Diffuser               | 2        | 2        |
| 3           | 8105-029 | Blower Motor (230/208) | X        |          |
| 3           | 8105-033 | Blower Motor (460)     |          | X        |
| 4           | 8552-002 | Capacitor              | X        | X        |
| 5           | 8200-031 | Motor Mount            | X        | X        |
| 6           | 5451-011 | Grommets               | 6        | 6        |
| 7           | 105-870  | Back Brace             | X        | X        |
| 8           | 103-401  | Front Brace            | X        | X        |
| 9           | 5152-090 | Wheel CW               | X        | X        |
| 10          | 5152-091 | Wheel CCW              | X        | X        |