

---

# REPLACEMENT PARTS MANUAL

# WALL MOUNTED PACKAGE HEAT PUMPS

Models: W18H1  
W24H1 W24H1D

---

## General Notes

- Revised and/or additional pages may be issued from time to time.
- A complete and current manual consists of pages shown in the following contents section.

## Important

- Contact the installing and/or local Bard distributor for all parts requirements. Make sure you have the complete model and serial number available from the unit rating plates.

## Contents

Description	Page
Cabinet Components	
♦ Exploded View .....	2
♦ Usage List .....	3
Functional Components	
♦ Exploded View .....	4
♦ Usage List .....	5
Functional Components - Dehum. Models	
♦ Usage List .....	6
Control Panel	
♦ Layout View .....	7
♦ Usage List .....	8
Control Panel	
♦ Layout View .....	9
♦ Usage List - Dehum. ....	10
Blower Housing	
♦ Exploded View .....	11
♦ Usage List .....	11

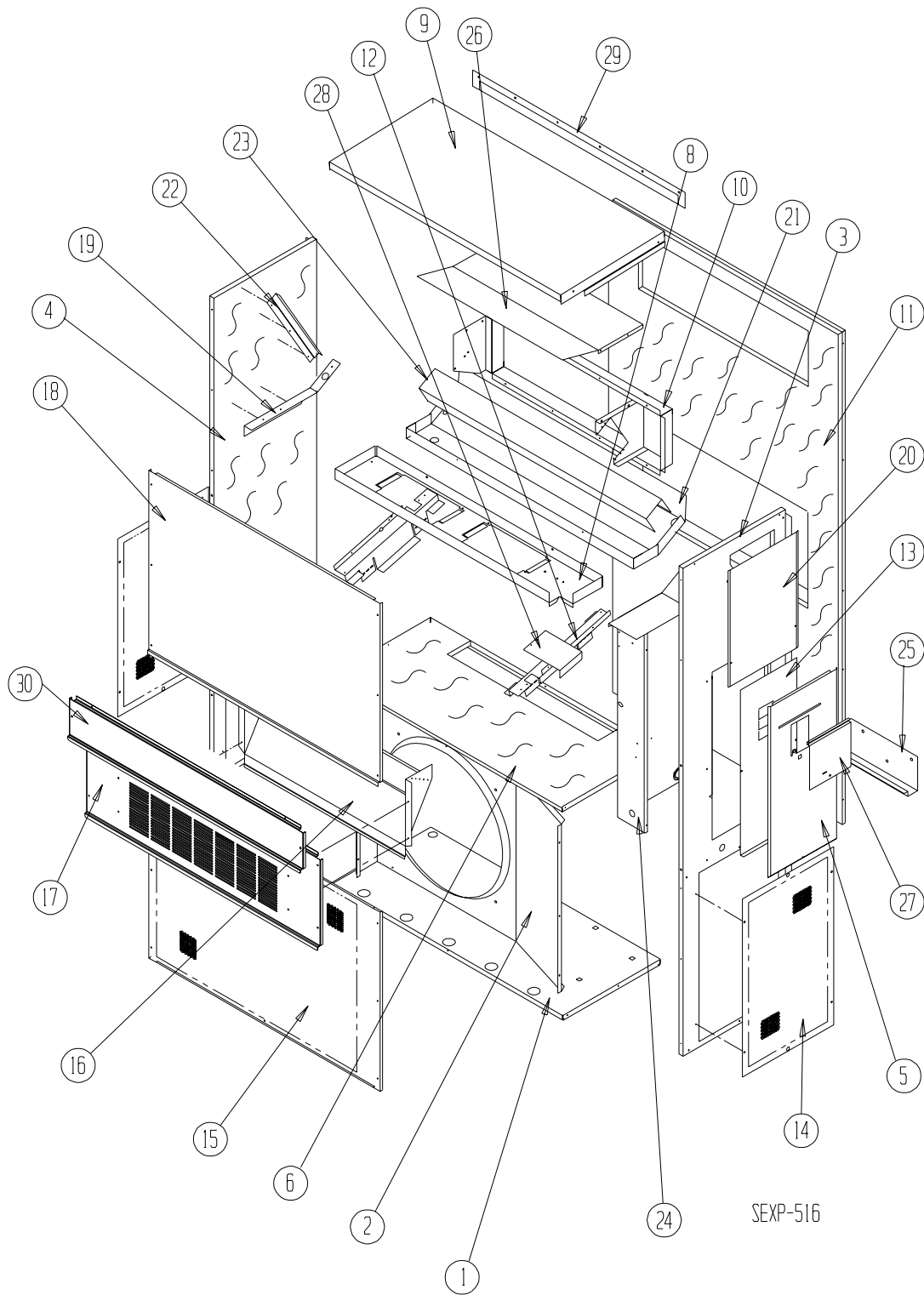


Bard Manufacturing Company, Inc.  
Bryan, Ohio 43506

*Since 1914...Moving ahead, just as planned.*

Manual: 2110-573E  
Supersedes: 2110-573D  
File: Tab 17  
Date: 04-26-10

# CABINET COMPONENTS



# CABINET COMPONENTS

Dwg. No.	Part Number	Description	W18H1-A	W24H1-A, B	W24H1-C	W24H1DA, DB	W24H1DC
1	S127-204	Lower Base	X	X	X	X	X
1	S127-370 ③	Lower Base	X	X	X	X	X
2	125-023	Fan Shroud	X	X	X	X	X
2	125-056 ③	Fan Shroud	X	X	X	X	X
3	S500-228-* ①	Right Side	X	X	X	X	X
3	S500-441 ②	Right Side	X	X	X	X	X
3	S500-527 ③	Right Side	X	X	X	X	X
4	S500-229-* ①	Left Side	X	X	X	X	X
4	S500-442 ②	Left Side	X	X	X	X	X
4	S500X528 ③	Left Side	X	X	X	X	X
5	S533-109-* ①	Control Panel Cover (Outer)	X	X	X	X	X
5	S533-182 ②	Control Panel Cover (Outer)	X	X	X	X	X
5	S533-197 ③	Control Panel Cover (Outer)	X	X	X	X	X
6	S521X204	Condenser Partition	X	X	X	X	X
8	121X336	Blower Partition	X	X	X	X	X
9	S506-137-* ①	Top	X	X	X	X	X
9	S506-270 ②	Top	X	X	X	X	X
9	S506-276 ③	Top	X	X	X	X	X
10	S111X032	Outlet Air Frame Assembly	X	X	X	X	X
11	S508-097	Back	X	X	X	X	X
11	S508-208 ②	Back	X	X	X	X	X
11	S508-220 ③	Back	X	X	X	X	X
12	113X195	Filter Bracket	2	2	2	2	2
13	S132-104	Control Panel Cover (Inner)	X	X		X	
13	S132-172	Control Panel Cover (Inner)			X		X
14	118-056-* ①	Side Grille	2	2	2	2	2
14	118-060 ②	Side Grille	2	2	2	2	2
14	118-067 ③	Side Grille	2	2	2	2	2
15	118-050-* ①	Condenser Grille	X	X	X	X	X
15	118-070 ②	Condenser Grille	X	X	X	X	X
15	118-076 ③	Condenser Grille	X	X	X	X	X
16	BFAD-2	Fresh Air Damper Assembly	X	X	X	X	X
17	S552-451-* ①	Vent Option Door	X	X	X	X	X
17	S552-453-* ①	Vent Option Door with ERV	X	X	X	X	X
17	S552-454 ②	Vent Option Door	X	X	X	X	X
17	S552-460 ③	Vent Option Door	X	X	X	X	X
18	S514-163-* ①	Upper Front	X	X	X	X	X
18	S514-164 ②	Upper Front	X	X	X	X	X
18	S514-167 ③	Upper Front	X	X	X	X	X
19	105X850	Side Support	X	X	X	X	X
20	S143-034-* ①	Right Side Cover Plate (Outer)	X	X	X	X	X
20	S143-103 ②	Right Side Cover Plate (Outer)	X	X	X	X	X
20	S143-127 ③	Right Side Cover Plate (Outer)	X	X	X	X	X
21	S123-080	Drain Pan	X	X	X	X	X
22	147-044	Left Evaporator Support	X	X	X	X	X
23	137-195	Bottom Evaporator Fill	X	X	X	X	X
24	Control Panel Assembly	See Control Panel Assembly Drawing and Parts List Assembly	X	X	X	X	X
25	113-140	Bottom Mounting Bracket	X	X	X	X	X
26	135X127	Heat Shield	X	X	X	X	X
27	S153-218-* ①	Disconnect Access Door	X	X	X	X	X
27	S153-387 ②	Disconnect Access Door	X	X	X	X	X
27	S153-405 ③	Disconnect Access Door	X	X	X	X	X
28	137-259	Fill Plate	X	X	X	X	X
29	113-141-* ①	Top Rain Flashing	X	X	X	X	X
29	113-361 ③	Top Rain Flashing	X	X	X	X	X
30	S552-452-* ①	Filter Door	X	X	X	X	X
30	S552-455 ②	Filter Door	X	X	X	X	X
30	S552-461 ③	Filter Door	X	X	X	X	X
NS	S536-176	Cond. Part. Block Off Plate	X	X	X	X	X

① Exterior cabinet parts are manufactured with various paint color options. To insure that you receive the proper paint color, you must include the complete model and serial number of the unit for which cabinet parts are being ordered.

② Note: Exterior cabinet parts are manufactured from aluminum Code "A"

NS = Not Shown

③ Note: Exterior cabinet parts are manufactured from stainless steel Code "S"



# FUNCTIONAL COMPONENTS

Dwg. No.	Part Number	Description	W18H1-A	W24H1-A	W24H1-B	W24H1-C
1	8000-313	Compressor	X			
1	8000-314	Compressor		X		
1	8000-315	Compressor			X	
1	8000-316	Compressor				X
2	S900-248	Blower Assembly	X	X	X	
2	S900-250	Blower Assembly				X
3	8200-001	Fan Motor Mount	X	X	X	X
4	5151-033	Fan Blade	X	X	X	
4	5151-046	Fan Blade				X
5	8103-016	Condenser Motor	X	X	X	
5	8103-020	Condenser Motor				X
6	5051-065BX	Condenser Coil	X	X	X	X
7	800-0646	Cooling Distributor Assembly	X			
7	800-0647	Cooling Distributor Assembly		X	X	X
8	5060-065BX	Evaporator Coil	X	X	X	X
9	7004-011	Air Filter 1" Throw Away	X	X	X	X
9	7003-032	Air Filter 1" Washable ①	X	X	X	X
9	7004-025	Air Filter 2" Pleated ①	X	X	X	X
10	1171-022	1/4 Turn Fastener	X	X	X	X
11	1171-024	1/4 Turn Retainer	X	X	X	X
12	1171-023	1/4 Receptacle	X	X	X	X
13	5650-038	Reversing Valve with 24V Solenoid Coil	X	X	X	X
14	5650-042	Rev. Valve Solenoid, Red Casing (Ranco)	X	X	X	X
14	5650-043	Rev. Valve Solenoid, Black Casing (Wilspec)	X	X	X	X
14	5650-046	Rev. Valve Solenoid, Black Casing (San Hua)	X	X	X	X
15	5650-037	Molded Plug 36" Lead	X	X	X	X
16	5201-009	Filter Drier	X	X	X	X
17	8620-095	Defrost Sensor	X	X	X	X
18	5651-191	Heating TXV Thermal Expansion Valve	X	X	X	X
19	1804-0385	High Pressure Switch (Flare) ①	X	X	X	X
20	800-0380	Heating Distributor Assembly	X	X	X	X
NS	1804-0107	Low Pressure Switch (Flare) ①	X	X	X	X
NS	CMA-28	Low Ambient Control (Flare) ①	X	X	X	X

NS = Not Shown

① = Optional

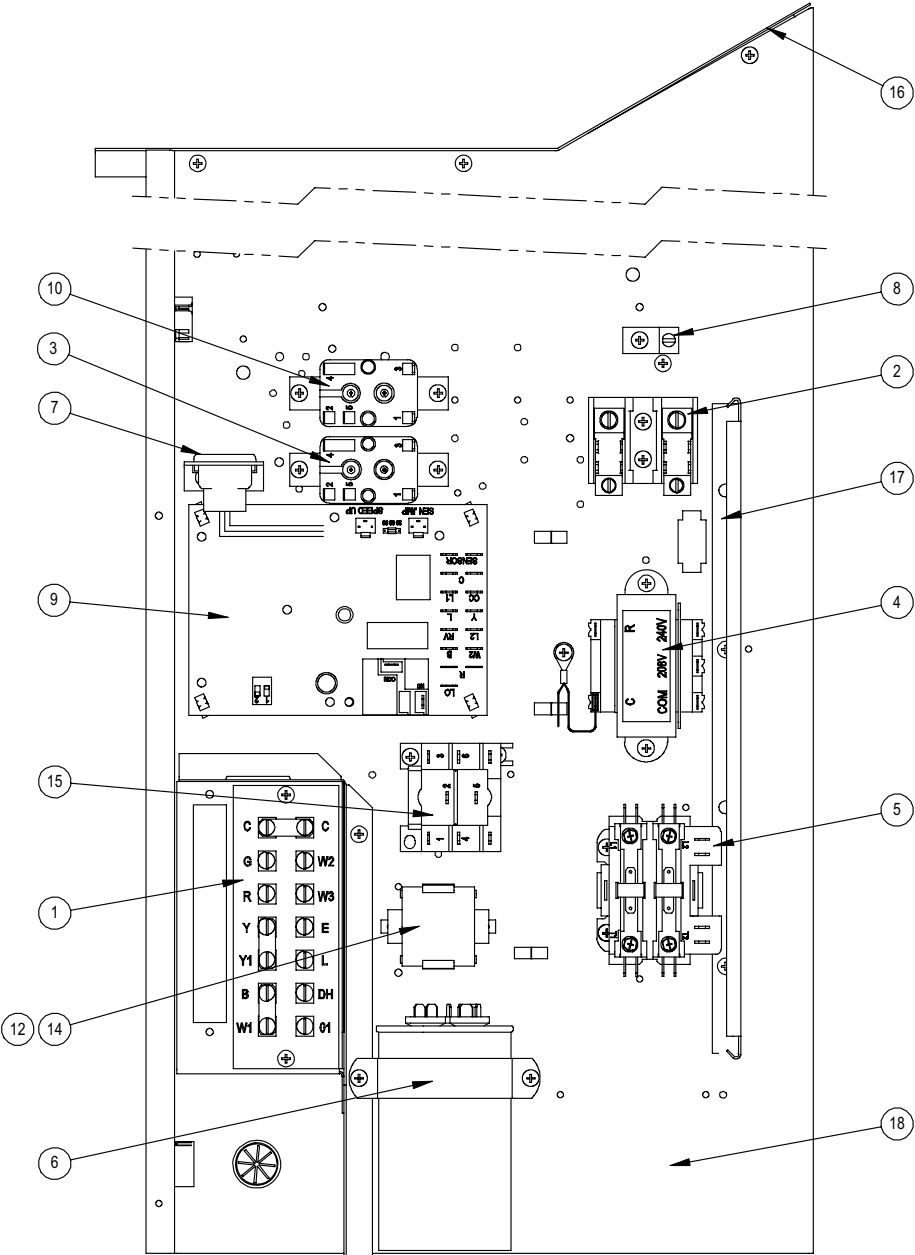
# FUNCTIONAL COMPONENTS – DEHUM. MODELS

Dwg. No.	Part Number	Description	W24H1DA	W24H1DB	W24H1DC
1	8000-314	Compressor	X		
1	8000-315	Compressor		X	
1	8000-316	Compressor			X
2	S900-24	Blower Assembly	X	X	
2	S900-250	Blower Assembly			X
3	8200-001	Fan Motor Mount	X	X	X
4	5151-033	Fan Blade	X	X	
4	5151-046	Fan Blade			X
5	8103-016	Condenser Motor	X	X	
5	8103-020	Condenser Motor			X
6	5051-06	Condenser Coil	X	X	X
7	5651-194	Cooling Expansion Valve	X	X	X
7	800-0300	Cooling Distributor Assembly	X	X	X
8	917-0048BX	Evaporator Coil Assembly	X	X	X
9	7004-011	Air Filter 1" Throw Away	X	X	X
9	7003-032	Air Filter 1" Washable ①	X	X	X
9	7004-025	Air Filter 2" Pleated ①	X	X	X
10	1171-022	1/4 Turn Fastener	X	X	X
11	1171-024	1/4 Turn Retainer	X	X	X
12	1171-023	1/4 Receptacle	X	X	X
13	5650-038	Reversing Valve with 24V Solenoid Coil	X	X	X
14	5650-042	Rev. Valve Solenoid, Red Casing (Ranco)	X	X	X
14	5650-043	Rev. Valve Solenoid, Black Casing (Wilspec)	X	X	X
14	5650-046	Rev. Valve Solenoid, Black Casing (San Hua)	X	X	X
15	5650-037	Molded Plug 36" Lead	X	X	X
16	5201-009	Filter Drier	X	X	X
17	8620-095	Defrost Sensor	X	X	X
18	5651-191	Heating TXV Thermal Expansion Valve	X	X	X
19	1804-0385	High Pressure Switch (Flare) ①	X	X	X
20	800-0380	Heating Distributor Assembly	X	X	X
NS	1804-0107	Low Pressure Switch (Flare) ①	X	X	X
NS	CMA-28	Low Ambient Control (Flare) ①	X	X	X
NS	5650-042	Rev. Valve Solenoid, Red Casing (Ranco)	X	X	X
NS	5650-046	Rev. Valve Solenoid, Black Casing (San Hua)	X	X	X
NS	5650-045	3-Way Valve with 24V Solenoid Coil	X	X	X
NS	5650-043	Flow Control (Orifice)	X	X	X

NS = Not Shown

① = Optional

# CONTROL PANEL COMPONENTS



SEXP-168 B

# CONTROL PANEL COMPONENTS

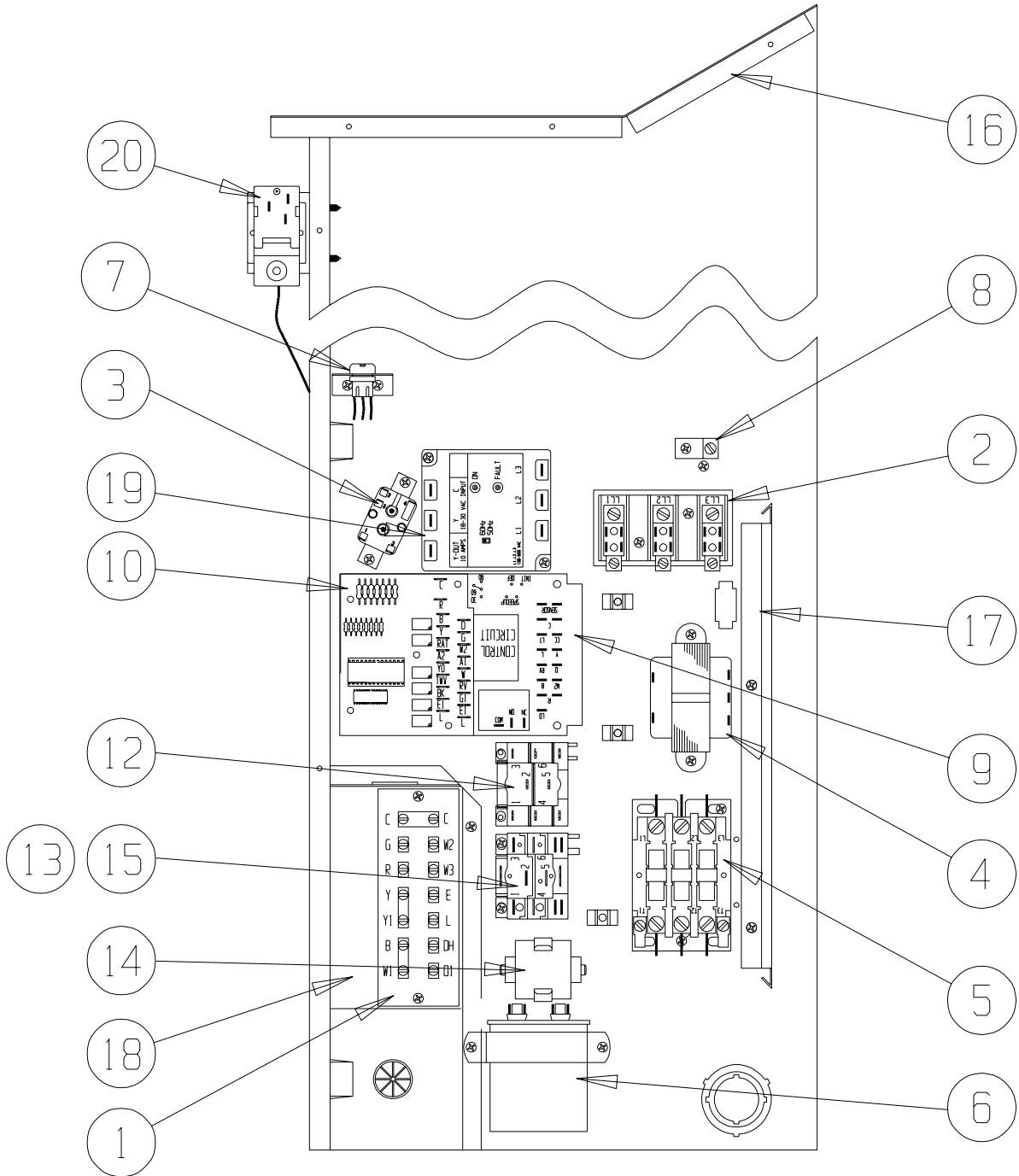
Drawing No.	Part No.	Description	W18H1-A	W24H1-A	W24H1-B	W24H1-C
1	8607-019	Low Voltage Terminal Strip	X	X	X	X
2	8607-013	Terminal Block 2 Pole	X	X		
2	8607-014	Terminal Block 3 Pole			X	X
2	8607-015	Phenolic Insulator				X
3	8201-009	Blower Control Relay	X	X	X	
3	8201-032	Blower Control Relay				X
4	8407-035	Transformer	X	X	X	
4	8407-042	Transformer				X
5	8401-007	Compressor Contactor	X	X		
5	8401-002	Compressor Contactor			X	X
6	8552-047	Compressor Capacitor	X			
6	8552-050	Compressor Capacitor		X		
6	8552-002	Outdoor Motor Capacitor			X	X
7	3000-1284	Wire Assembly	X	X	X	X
8	8611-006	Ground Terminal	X	X	X	X
9	8201-119	Heat Pump Control Board	X	X	X	X
10	8201-009	ID Motor Speed Relay SPDT	X			
12	8201-086	Low Ambient Bypass Relay ①	X	X	X	X
13	8607-017	LAC Terminal Block ①	X	X	X	X
14	8551-004	Start Device (PTCR) ①	X	X		
15	8201-032	Outdoor Fan Relay				X
16	117X137	Control Panel Top	X	X	X	X
17	135-122	Wire Shield	X	X	X	X
18	117X123	Control Panel	X	X	X	X
NS	4096-141	Wiring Diagram	X	X		
NS	4096-211	Wiring Diagram			X	
NS	4096-340	Wiring Diagram				X
NS	8201-085	3-Phase Line Monitor				X

NS = Not Shown

① = Optional



# CONTROL PANEL COMPONENTS



SEXP-540

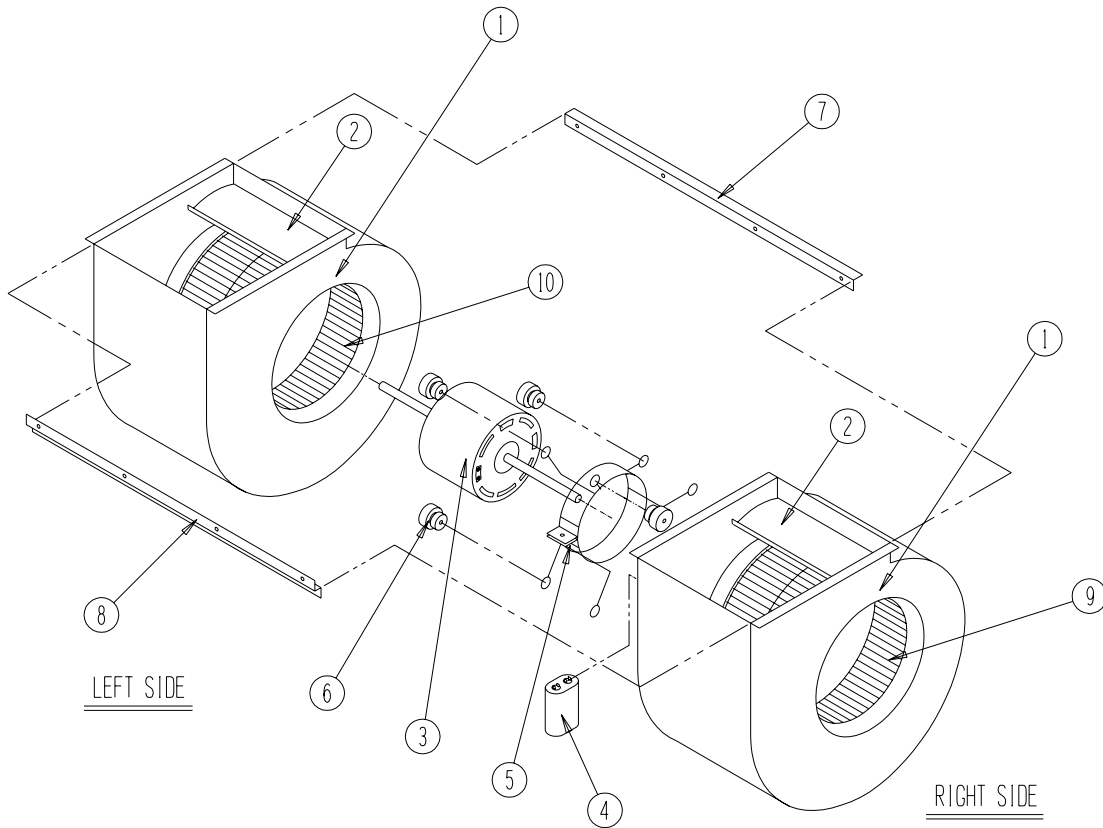
# CONTROL PANEL COMPONENTS – DEHUM. MODELS

Drawing No.	Part No.	Description	W24H1DA	W24H1DB	W24H1DC
1	8607-019	Low Voltage Terminal Strip	X	X	X
2	8607-013	Terminal Block 2 Pole	X		
2	8607-014	Terminal Block 3 Pole		X	X
2	8607-015	Phenolic Insulator			X
3	8201-009	Blower Control Relay	X	X	
3	8201-032	Blower Control Relay			X
4	8407-035	Transformer	X	X	
4	8407-042	Transformer			X
5	8401-007	Compressor Contactor	X		
5	8401-002	Compressor Contactor		X	X
6	8552-050	Compressor Capacitor	X		
6	8552-002	Outdoor Motor Capacitor		X	X
7	3000-1285	Wire Assembly	X	X	X
8	8611-006	Ground Terminal	X	X	X
9	8201-119	Heat Pump Control Board	X	X	X
10	8201-113	Dehumidification Logic Board ①	X	X	X
12	8201-086	LAC Bypass Relay ①	X	X	X
13	8607-017	LAC Terminal Block ①	X	X	X
14	8551-004	Start Device (PTCR) ①	X		
15	8201-032	Outdoor Fan Relay			X
16	117X137	Control Panel Top	X	X	X
17	135-122	Wire Shield	X	X	X
18	117X123	Control Panel	X	X	X
19	8201-085	3-Phase Line Monitor		X	X
20	8408-037	Return Air Thermostat	X	X	X
NS	4096-143	Wiring Diagram	X		
NS	4096-244	Wiring Diagram		X	
NS	4096-342	Wiring Diagram			X

NS = Not Shown

① = Optional

# BLOWER ASSEMBLY



SEXP-346

Drawing No.	Part No.	Description	S900-248	S900-250	S900-291
1	151-115	Blower Housing	X	X	X
2	144-183	Cutoff	X	X	X
3	8102-011	Blower Motor (230/208)	X		
3	8105-033	Blower Motor (460)		X	
3	8102-014	Blower Motor (230/208)			X
4	8552-002	Capacitor	X	X	X
5	8200-031	Motor Mount	X	X	X
6	5451-011	Grommets	6	6	6
7	105-1061	Back Brace	X	X	X
8	103-435	Front Brace	X	X	X
9	5152-092	Wheel 9-6 CW	X	X	X
10	5152-093	Wheel 9-6 CCW	X	X	X