
REPLACEMENT PARTS MANUAL

QTEC SERIES PACKAGED HEAT PUMP

Models:

Q24H

Q30H

Q36H

Q42H

Q48H

Q60H

General Notes

- Revised and/or additional pages may be issued from time to time.
- A complete and current manual consists of pages shown in the following contents section.

Contents

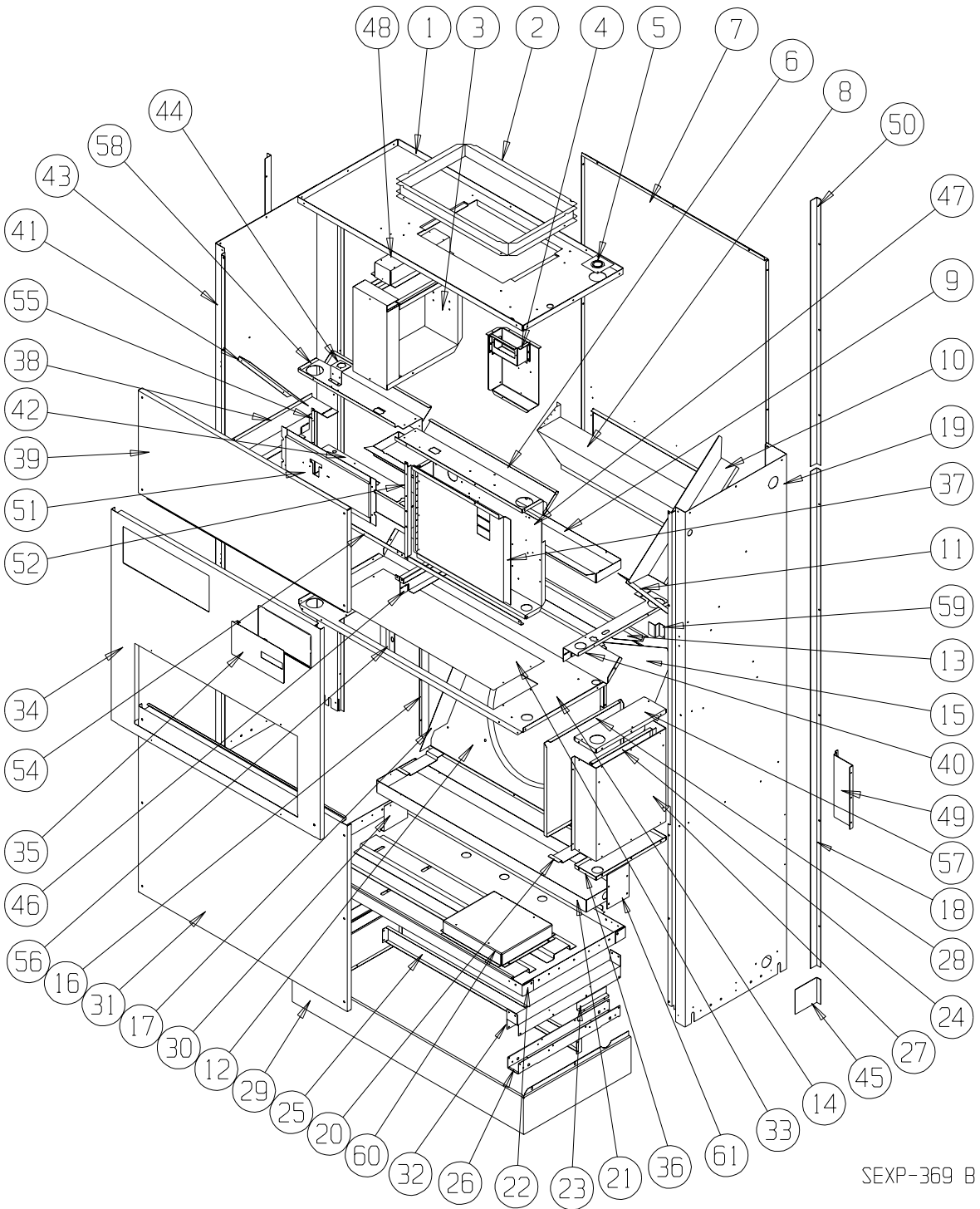
Description	Page
Cabinet Components	
♦ Exploded View	2
♦ Usage List	3
♦ Usage List	4
♦ Usage List	5
♦ Usage List	6
♦ Blank Page	7
Functional Components	
♦ Exploded View	8
♦ Usage List	9
♦ Usage List	10
♦ Usage List	11
♦ Blank Page	12
Upper Control Panel Components	
♦ Exploded View	13
♦ Usage List	14
♦ Usage List	15
♦ Usage List	16
♦ Usage List	17
♦ Usage List	18
♦ Usage List	19
Lower Control Panel Components	
♦ Exploded View	20
♦ Usage List	21
Blower Assembly Components	
♦ Exploded View	22
♦ Usage List	23
Optional Climate Control Components	
♦ Exploded View	24
♦ Usage List	25
Wall Sleeve Cabinet Components	
♦ Exploded View	26
♦ Usage List	27



Bard Manufacturing Company, Inc.
Bryan, Ohio 43506
Since 1914...Moving ahead, just as planned.

Manual: 2110-574D
Supersedes: 2110-574C
File: Tab 14
Date: 08-20-10

CABINET COMPONENTS



SEXP-369 B

This Exploded View is referenced in Tables on Page 3, 4, 5 & 6

CABINET COMPONENTS

Drawing No.	Part No.	Description	Q24H-A, B	Q24H-C	Q30H-A, B	Q30H-C	Q36H-A, -B	Q36H-C	Q42H-A, B	Q42H-C
1	506-225	Top Assembly	X	X	X	X	X	X	X	X
2	110-044	Outlet Duct Flange	2	2	2	2	2	2	2	2
3	See Page 13	Heater Package Assembly (Optional)	X	X	X	X	X	X	X	X
4	117-283	Low Voltage Box Assembly (Optional)	X	X	X	X	X	X	X	X
5	136-359	T.K.O. Plate	X	X	X	X	X	X	X	X
6	534-191	Evaporator Coil Shield - Right	X	X	X	X	X	X	X	X
7	508-133	Back Assembly	X	X	X	X	X	X	X	X
8	538-106	Fresh Air Damper Assembly	X	X	X	X	X	X	X	X
9	S523-104	Evaporator Drain Pan Assembly	X	X	X	X	X	X	X	X
10	134-154	Wire Channel	X	X	X	X	X	X	X	X
11	140X277	Right Evaporator Support	X	X	X	X	X	X	X	X
12	125-032	Fan Shroud Back	X	X	X	X	X	X	X	X
13	142-055	Condenser Coil Fill	X	X	X	X	X	X	X	X
14	520-346	Condenser Partition Assembly	X	X	X	X	X	X	X	X
15	124X043	Fan Shroud Right Side	X	X	X	X	X	X	X	X
16	124Y043	Fan Shroud Left Side	X	X	X	X	X	X	X	X
17	140-229	Condenser Coil Support	2	2	2	2	2	2	2	2
18	S135-177-* ①	Side Trim - Lower	2	2	2	2	2	2	2	2
19	500-392-* ①	Right Side Assembly	X	X	X	X	X	X	X	X
20	140-227	Subcooling Loop Hold Down	3	3	3	3	3	3	3	3
21	123-094	Condenser Drain Pan Assembly	X	X	X	X	X	X	X	X
22	527-309-X	Lower Base Assembly	X	X	X	X	X	X	X	X
23	102-415	Pile Seal Offset	2	2	2	2	2	2	2	2
24	117-240	Lower Control Panel Plate	X	X	X	X	X	X	X	X
25	135-189	Base Shield	X	X	X	X	X	X	X	X
26	140-276	Lower Roller Support	2	2	2	2	2	2	2	2
27	See Page 20	Control Panel Components	X	X	X	X	X	X	X	X
28	133-164	Control Panel Door - Lower	X	X	X	X	X	X	X	X
29	534-155-6	Base Trim Assembly	X	X	X	X	X	X	X	X
30	140-230	Drain Pan Support	X	X	X	X	X	X	X	X
31	552-332-* ①	Condenser Door Assembly	X	X	X	X	X	X	X	X
32	140-280	Upper Roller Support	2	2	2	2	2	2	2	2
33	536-351	Condenser Blank Off Plate	X	X	X	X	X	X	X	X
34	552-330-* ①	Filter Door Assembly	X	X	X	X	X	X	X	X
35	153-336-* ①	Circuit Breaker Door	X	X	X	X	X	X	X	X
36	117-238	Lower Control Panel Bottom	X	X	X	X	X	X	X	X
37	132-173	Disconnect Door Inner		X		X		X		X
37	132-165	Circuit Breaker Door Inner	X		X		X		X	
38	113-281	Left Filter Bracket	X	X	X	X	X	X	X	X
39	552-331-* ①	Blower Door Assembly	X	X	X	X	X	X	X	X

Continued on Page 4

① Exterior cabinet parts are manufactured with various color options. To insure that you receive the proper color, you must include the complete models and serial number of the unit for which parts are being ordered.

This Table references Exploded View on Page 2

CABINET COMPONENTS

Drawing No.	Part No.	Description	Q24H-A, B	Q24H-C	Q30H-A, B	Q30H-C	Q36H-A, -B	Q36H-C	Q42H-A, B	Q42H-C
<i>Continued from Page 3</i>										
40	113-282	Right Filter Bracket	X	X	X	X	X	X	X	X
41	140Y277	Left Evaporator Support	X	X	X	X	X	X	X	X
43	500-391-* ①	Left Side Assembly	X	X	X	X	X	X	X	X
45	135-165-* ①	Base Trim Extension	2	2	2	2	2	2	2	2
46	112X283	Center Right Filter Bracket	X	X	X	X	X	X	X	X
46	112Y283	Center Left Filter Bracket	X	X	X	X	X	X	X	X
47	See Page 13	Pull Disconnect Assembly		X		X		X		X
47	See Page 13	Circuit Breaker Box Assembly	X		X		X		X	
48	112-229	Heat Strip Bracket	X	X	X	X	X	X	X	X
49	112-234	Mounting Bracket	2	2	2	2	2	2	2	2
50	S135-178-* ①	Side Trim - Upper	2	2	2	2	2	2	2	2
51	See Page 24	Thermostat Mounting Plate	X	X	X	X	X	X	X	X
52	104-1096	Left Thermostat Support Angle	X	X	X	X	X	X	X	X
54	104-1097	Front Filter Angle	X	X	X	X	X	X	X	X
55	104-1096	Right Thermostat Support Angle	X	X	X	X	X	X	X	X
56	102-434	Sleeve Offset	X	X	X	X	X	X	X	X
57	117-237	Lower Control Panel Top	X	X	X	X	X	X	X	X
58	534-190	Evaporator Coil Shield - Left	X	X	X	X	X	X	X	X
59	103-443	Door Latch Offset	X	X	X	X	X	X	X	X
60	140-282	Transformer Support		X		X		X		X

① Exterior cabinet parts are manufactured with various color options. To insure that you receive the proper color, you must include the complete models and serial number of the unit for which parts are being ordered.

This Table references Exploded View on Page 2

CABINET COMPONENTS

Drawing No.	Part No.	Description	Q48H-A, -B, Q60H-A, -B	Q48H-C, Q60H-C
1	506-226	Top Assembly	X	X
2	110-044	Outlet Duct Flange	2	2
3	See Page 13	Heater Package Assembly (Optional)	X	X
4	117-283	Low Voltage Box Assembly (Optional)	X	X
5	136-359	T.K.O. Plate	X	X
6	534-195	Evaporator Coil Shield - Right	X	X
7	508-149	Back Assembly	X	X
8	538-106	Fresh Air Damper Assembly	X	X
9	S523-105	Evaporator Drain Pan Assembly	X	X
10	134-154	Wire Channel	X	X
11	140X277	Right Evaporator Support	X	X
12	125-046	Fan Shroud Back	X	X
13	143-066	Condenser Coil Fill	X	X
14	520-347	Condenser Partition Assembly	X	X
15	125-041	Fan Shroud Right Side	X	X
16	125-045	Fan Shroud Left Side	X	X
17	140-229	Condenser Coil Support	2	2
18	S135-177-* ①	Side Trim - Lower	2	2
19	500-392-* ①	Right Side Assembly	X	X
20	140-227	Subcooling Loop Hold Down	3	3
21	123-099	Condenser Drain Pan Assembly	X	X
22	527-294-X	Lower Base Assembly	X	X
23	102-415	Pile Seal Offset	2	2
24	117-240	Lower Control Panel Plate	X	X
25	135-194	Base Shield	X	X
26	140-276	Lower Roller Support	2	2
27	See Page 20	Control Panel Components	X	X
28	133-164	Control Panel Door - Lower	X	X
29	534-174-6	Base Trim Assembly	X	X
30	140-230	Drain Pan Support	X	X
31	552-334-* ①	Condenser Door Assembly	X	X
32	140-280	Upper Roller Support	2	2
33	536-351	Condenser Blank Off Plate	X	X
34	552-335-* ①	Filter Door Assembly	X	X
35	153-336-* ①	Circuit Breaker Door	X	X
36	117-238	Lower Control Panel Bottom	X	X
37	132-173	Pull Disconnect Door Inner		X
37	132-165	Circuit Breaker Door Inner	X	
38	113-281	Left Filter Bracket	X	X
39	552-333-* ①	Blower Door Assembly	X	X

Continued on Page 6

① Exterior cabinet parts are manufactured with various color options. To insure that you receive the proper color, you must include the complete models and serial number of the unit for which parts are being ordered.

This Table references Exploded View on Page 2

CABINET COMPONENTS

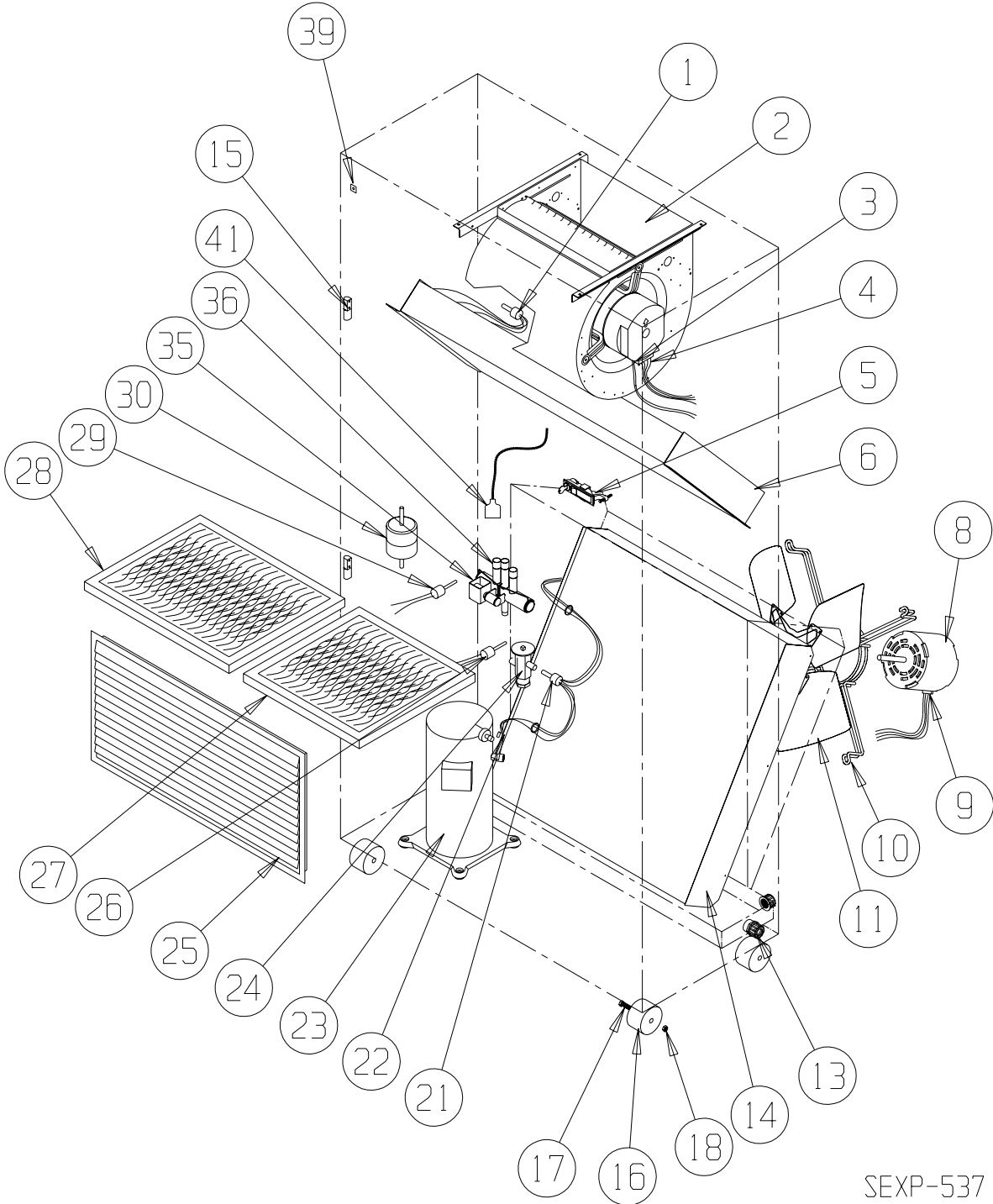
Drawing No.	Part No.	Description	Q48H-A, -B Q60H-A, -B		Q48H-C Q60H-C	
<i>Continued from Page 5</i>						
40	113-286	Right Filter Bracket	X		X	
41	140Y277	Left Evaporator Support	X		X	
43	500-393-* ①	Left Side Assembly	X		X	
44	113-142	Expansion Valve Mounting Plate	X		X	
45	134-165-* ①	Base Trim Extension	2		2	
46	112X283	Center Right Filter Bracket	X		X	
46	112Y283	Center Left Filter Bracket	X		X	
47	See Page 13	Pull Disconnect Assembly				X
47	See Page 13	Circuit Breaker Box Assembly	X			
48	112-229	Heat Strip Bracket	X		X	
49	112-234	Mounting Bracket	2		2	
50	S135-178-* ①	Side Trim - Upper	2		2	
51	See Page 24	Thermostat Mounting Plate	X		X	
52	104-1096	Left Thermostat Support Angle	X		X	
54	104-1101	Front Filter Angle	X		X	
55	104-1096	Right Thermostat Support Angle	X		X	
56	102-434	Sleeve Offset	X		X	
57	117-237	Lower Control Panel Top	X		X	
58	534-190	Evaporator Coil Shield - Left	X		X	
59	103-443	Door Latch Offset	X		X	
60	140-282	Transformer Support				X
61	112-372	Motor Control Bracket (Q60H Only)	X			X

① Exterior cabinet parts are manufactured with various color options. To insure that you receive the proper color, you must include the complete models and serial number of the unit for which parts are being ordered.

This Table references Exploded View on Page 2

This page intentionally left blank.

FUNCTIONAL COMPONENTS



SEXP-537

This Exploded View is referenced in Tables on pages 9, 10, 11 & 12

FUNCTIONAL COMPONENTS

Drawing No.	Part No.	Description	Q24H-A	Q24H-B	Q24H-C	Q30H-A	Q30H-B	Q30H-C	Q36H-A	Q36H-B	Q36H-C	Q42H-A	Q42H-B	Q42H-C
1	5625-090	Distributor Cooling	X	X	X									
1	5625-089	Distributor Cooling				X	X	X						
1	5625-046	Distributor Cooling							X	X	X			
1	5625-088	Distributor Cooling										X	X	X
2	S900-225-001	Blower Assembly	X	X	X									
2	S900-225-002	Blower Assembly				X	X	X						
2	S900-225-004	Blower Assembly							X	X	X	X	X	X
3	3000-1145	Wire Harness High Voltage			X			X			X			X
3	3000-1046	Wire Harness High Voltage	X	X		X	X		X	X		X	X	
4	3000-1292	Wire Harness Low Voltage	X	X	X	X	X	X	X	X	X	X	X	X
5	1171-049	Keylatch/Circuit Breaker Door	X	X	X	X	X	X	X	X	X	X	X	X
6	5060-093BX	Evaporator Coil	X	X	X									
6	5060-107BX	Evaporator Coil				X	X	X						
6	5060-090BX	Evaporator Coil							X	X	X	X	X	X
8	8103-037	Motor	X	X		X	X							
8	8103-038	Motor			X			X						
8	8105-051	Motor							X	X		X	X	
8	8105-052	Motor									X			X
9	3000-1141	Wire Harness	X	X	X	X	X	X	X	X	X	X	X	X
10	8200-001	Motor Mount	X	X	X	X	X	X	X	X	X	X	X	X
11	5151-050	Fan Blade	X	X	X	X	X	X						
11	5151-055	Fan Blade							X	X	X	X	X	X
13	6094-003	Drain Fitting	1	1	1	1	1	1	1	1	1	1	1	1
14	5051-095BX	Condenser Coil	X	X	X	X	X	X						
14	5051-096BX	Condenser Coil							X	X	X	X	X	X
15	5400-005	Hinge	2	2	2	2	2	2	2	2	2	2	2	2
16	1171-035	Wheel	4	4	4	4	4	4	4	4	4	4	4	4
17	1012-129	Bolt - Shoulder	4	4	4	4	4	4	4	4	4	4	4	4
18	1012-224	Nut - Locking	4	4	4	4	4	4	4	4	4	4	4	4
21	5625-008	Distributor - Heating	X	X	X	X	X	X						
21	5625-010	Distributor - Heating							X	X	X	X	X	X
22	8620-095	Defrost Sensor	X	X	X	X	X	X	X	X	X	X	X	X
23	8000-314	Compressor	X											
23	8000-315	Compressor		X										
23	8000-316	Compressor			X									
23	8000-298	Compressor				X								
23	8000-299	Compressor					X							
23	8000-300	Compressor						X						
23	8000-309	Compressor							X					
23	8000-310	Compressor								X				
23	8000-311	Compressor									X			
23	8000-318	Compressor										X		
23	8000-319	Compressor											X	
23	8000-320	Compressor												X
24	5651-191	TXV Heating	X	X	X									
24	5651-177	TXV Heating				X	X	X						
24	5651-178	TXV Heating							X	X	X	X	X	X
25	7051-034	Return Air Grille	X	X	X	X	X	X	X	X	X	X	X	X
26	1804-0385	High Pressure Control	X	X	X	X	X	X	X	X	X	X	X	X
27	7004-009	Air Filter	X	X	X	X	X	X	X	X	X	X	X	X
27	7004-032	Filter 2" Fiberglass (Optional)	X	X	X	X	X	X	X	X	X	X	X	X
27	7004-034	Filter 2" Pleated (Optional)	X	X	X	X	X	X	X	X	X	X	X	X
28	7004-010	Air Filter	X	X	X	X	X	X	X	X	X	X	X	X
28	7004-033	Filter 2" Fiberglass (Optional)	X	X	X	X	X	X	X	X	X	X	X	X
28	7004-035	Filter 2" Pleated (Optional)	X	X	X	X	X	X	X	X	X	X	X	X

Continued on Page 10

This Table references Exploded View on Page 8


FUNCTIONAL COMPONENTS

Drawing No.	Part No.	Description	Q24H-A	Q24H-B	Q24H-C	Q30H-A	Q30H-B	Q30H-C	Q36H-A	Q36H-B	Q36H-C	Q42H-A	Q42H-B	Q42H-C
<i>Continued from Page 9</i>														
29	1804-0107	Low Pressure Control	X	X	X	X	X	X	X	X	X	X	X	X
30	5201-009	Filter / Drier	X	X	X	X	X	X						
30	5201-010	Filter / Drier							X	X	X	X	X	X
35	5650-038	Reversing Valve with Solenoid	X	X	X									
35	5650-039	Reversing Valve with Solenoid				X	X	X						
35	5650-040	Reversing Valve with Solenoid							X	X	X	X	X	X
36	5650-042	Rev. Valve Solenoid, Red Casing (Ranco)	X	X	X	X	X	X	X	X	X	X	X	X
36	5650-043	Rev. Valve Solenoid, Black Casing (Wilspec)	X	X	X	X	X	X	X	X	X	X	X	X
36	5650-046	Rev. Valve Solenoid, Black Casing (San Hua)	X	X	X	X	X	X	X	X	X	X	X	X
39	1012-315	"U" Clip Fastener	10	10	10	10	10	10	10	10	10	10	10	10
41	5650-037	Molded Plug 36" Lead	X	X	X	X	X	X	X	X	X	X	X	X
NS	CMA-28	Low Ambient Control	X	X	X	X	X	X	X	X	X	X	X	X

Drawing No.	Part No.	Description	Q24H-A	Q24H-B	Q24H-C	Q30H-A	Q30H-B	Q30H-C	Q36H-A	Q36H-B	Q36H-C	Q42H-A	Q42H-B	Q42H-C
NS	4100-116	Wiring Diagram	X			X			X			X		
NS	4100-216	Wiring Diagram		X			X			X			X	
NS	4100-316	Wiring Diagram			X			X			X			X

These Tables reference Exploded View on Page 8

FUNCTIONAL COMPONENTS

Drawing No.	Part No.	Description	Q48H-A	Q48H-B	Q48H-C	Q60H-A	Q60H-B	Q60H-C
1	5625-093	Cooling Distributor	X	X	X			
1	5625-086	Cooling Distributor				X	X	X
2	S900-225-005	Blower Assembly	X	X	X			
2	S900-254-001	Blower Assembly				X	X	X
3	3000-1145	Wire Harness High Voltage			X			X
3	3000-1046	Wire Harness High Voltage	X	X		X	X	
4	3000-1292	Wire Harness Low Voltage	X	X	X	X	X	X
5	1171-049	Keylatch/Circuit Breaker Door	X	X	X	X	X	X
6	5060-095BX	Evaporator Coil	X	X	X			
6	5060-108BX	Evaporator Coil				X	X	X
8	8105-051	Motor	X	X				
8	8105-052	Motor			X			
8	8106-047	ECM Motor				X	X	X
9	3000-1141	Wire Harness	X	X	X			
10	8200-001	Motor Mount	X	X	X	X	X	X
11	5151-055	Fan Blade	X	X	X	X	X	X
13	6094-003	Drain Fitting	1	1	1	1	1	1
14	5051-162BX	Condenser Coil 28 x 36	X	X	X	X	X	X
NS	5051-161BX	Condenser Coil 8 x 36				X	X	X
15	5400-005	Hinge	2	2	2	2	2	2
16	1171-035	Wheel	4	4	4	4	4	4
17	1012-129	Bolt - Shoulder	4	4	4	4	4	4
18	1012-224	Nut - Locking	4	4	4	4	4	4
21	5625-024	Distributor - Heating	X	X	X	X	X	X
22	8620-095	Defrost Sensor	X	X	X	X	X	X
23	8000-343	Compressor	X					
23	8000-344	Compressor		X				
23	8000-345	Compressor			X			
23	8000-324	Compressor				X		
23	8000-325	Compressor					X	
23	8000-326	Compressor						X
24	5651-178	TXV Heating	X	X	X			
24	5651-184	TXV Heating				X	X	X
25	7051-039	 Return Air Grille	X	X	X	X	X	X
26	1804-0385	High Pressure Control	X	X	X	X	X	X
27	7004-009	Air Filter	X	X	X	X	X	X
27	7004-032	Filter 2" Fiberglass (Optional)	X	X	X	X	X	X
27	7004-034	Filter 2" Pleated (Optional)	X	X	X	X	X	X
28	7004-011	Air Filter	X	X	X	X	X	X
28	7004-036	Filter 2" Fiberglass (Optional)	X	X	X	X	X	X
28	7004-025	Filter 2" Pleated (Optional)	X	X	X	X	X	X
29	1804-0107	Low Pressure Control	X	X	X	X	X	X
30	5201-010	Filter / Drier	X	X	X	X	X	X
35	5650-040	Reversing Valve	X	X	X	X	X	X
36	5650-042	Rev. Valve Solenoid, Red Casing (Ranco)	X	X	X	X	X	X
36	5650-043	Rev. Valve Solenoid, Black Casing (Wilspec)	X	X	X	X	X	X
36	5650-046	Rev. Valve Solenoid, Black Casing (San Hua)	X	X	X	X	X	X
39	1012-315	"U" Clip Fastener	10	10	10	10	10	10
41	5650-037	Molded Plug 36" Lead	X	X	X	X	X	X
NS	CMA-28	Low Ambient Control	X	X	X	X	X	X
NS	5202-026	Suction Accumulator				X	X	X

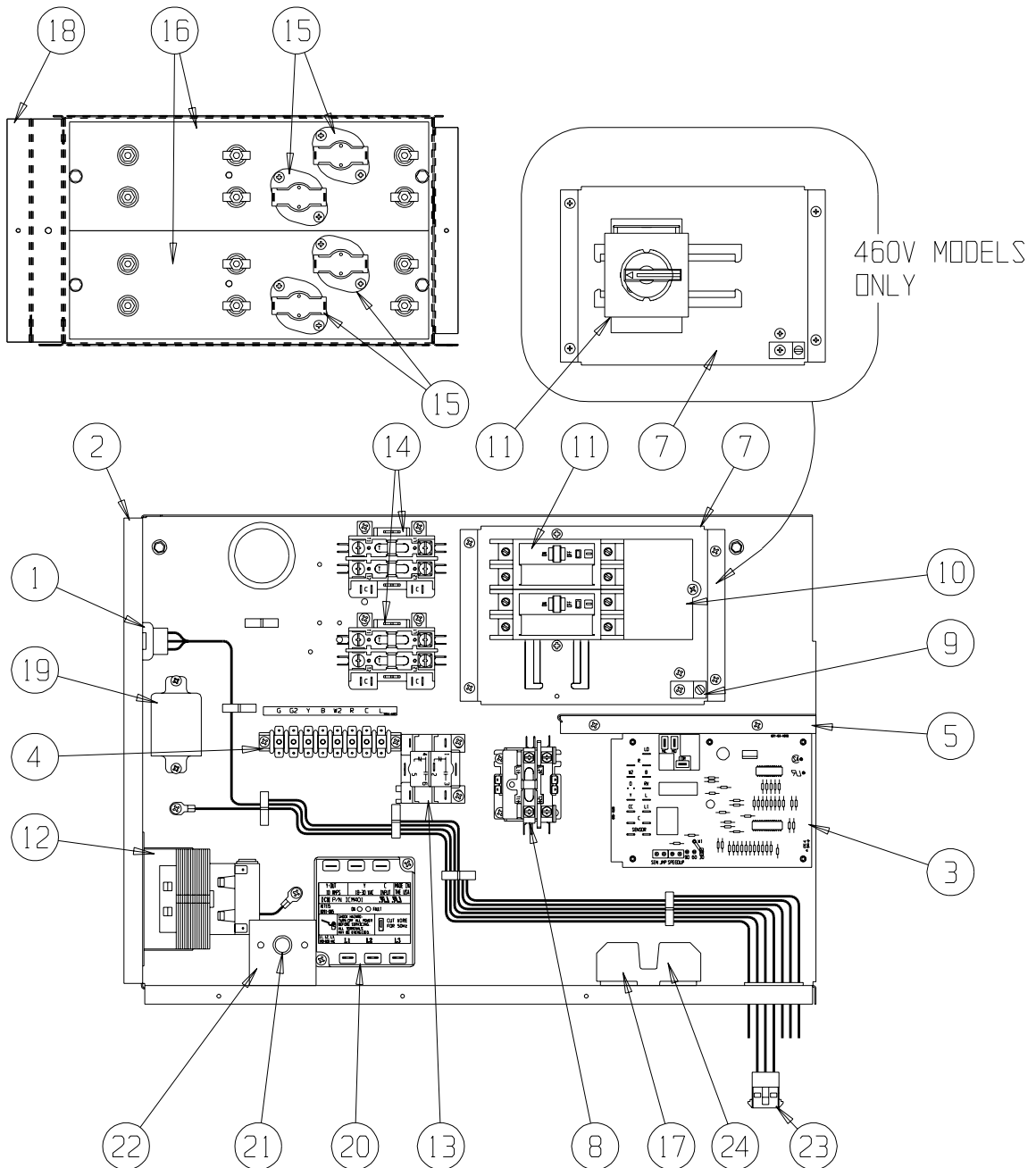
These Tables reference Exploded View on Page 8

FUNCTIONAL COMPONENTS

Drawing No.	Part No.	Description	Q48H-A	Q48H-B	Q48H-C	Q60H-A	Q60H-B	Q60H-C
NS	4100-116	Wiring Diagram	X					
NS	4100-216	Wiring Diagram		X				
NS	4100-316	Wiring Diagram			X			
NS	4100-118	Wiring Diagram				X		
NS	4100-218	Wiring Diagram					X	
NS	4100-318	Wiring Diagram						X

This Table references Exploded View on Page 8

UPPER CONTROL PANEL COMPONENTS



SEXP-373 B

This Exploded View is referenced in Tables on pages 14, 15, 16, 17, 18 & 19

UPPER CONTROL PANEL COMPONENTS

Drawing No.	Part No.	Description	Q24H-A02	Q30H-A02	Q36H-A02	Q42H-A02	Q48H-A02	Q60H-A02	Q24H-A05	Q30H-A05	Q36H-A05	Q42H-A05	Q48H-A05	Q60H-A05	Q24H-A10	Q30H-A10	Q36H-A10	Q42H-A10	Q48H-A10	Q36H-A15	Q42H-A15	Q48H-A15	Q60H-A10	Q60H-A15
1	3000-1293	Wire Set P2	X																					
2	117-241	Control Panel	X																					
3	8201-119	Heat Pump Control	X																					
4	8607-022	Terminal Block	X																					
5	117-242	Box Partition	X																					
7	126-267	Circuit Breaker Base	X																					
8	8401-007	Contactor	X																					
8	8401-016	Contactor	X																					
9	8611-006	Ground Lug	X																					
10	8615-047	Jumper Bar Base																						
11	8615-036	Circuit Breaker 2 Pole 25A Ckt B																						
11	8615-037	Circuit Breaker 2 Pole 30A Ckt A	X																					
11	8615-038	Circuit Breaker 2 Pole 35A Ckt A																						
11	8615-055	Circuit Breaker 2 Pole 40A Ckt A																						
11	8615-039	Circuit Breaker 2 Pole 45A Ckt A																						
11	8615-040	Circuit Breaker 2 Pole 50A Ckt A																						
11	8615-040	Circuit Breaker 2 Pole 50A Ckt B																						
11	8615-041	Circuit Breaker 2 Pole 60A Ckt A																						
12	8407-048	Transformer	X																					
14	8401-006	Contactor 2 Pole 20A																						
15	8402-100	Limits							1															
15	8402-131	Limits																						

Continued on Page 15

This Table references Exploded View on Page 13

UPPER CONTROL PANEL COMPONENTS

Drawing No.	Part No.	Description	Q24H-A0Z	Q30H-A0Z	Q36H-A0Z	Q42H-A0Z	Q48H-A0Z	Q60H-A0Z	Q24H-A10	Q30H-A10	Q36H-A10	Q42H-A10	Q48H-A10	Q36H-A15	Q42H-A15	Q48H-A15	Q60H-A10	Q60H-A15
16	8604-103	Heat Strip 5KW																
16	8604-104	Heat Strip 10 KW																
18	116-191	Heat Strip Wrapper																
19	8201-048	Relay																
21	8611-094	Indicator Light	X															
22	112-225	Bracket	X															
23	3000-1294	Wire Set	X															
NS	8201-015	Staging Relay SR																
NS	132-145	Heat Strip Cover																
NS	4101-118	Wiring Diagram	X															
NS	4101-114	Wiring Diagram																
NS	4101-115	Wiring Diagram																
NS	4101-116	Wiring Diagram																
NS	4101-117	Wiring Diagram																

Continued from Page 14

NS = Not Shown

This Table references Exploded View on Page 13

UPPER CONTROL PANEL COMPONENTS

Drawing No.	Part No.	Description	Q24H-B0Z	Q30H-B0Z	Q36H-B0Z	Q42H-B0Z	Q60H-B0Z	Q24H-B06	Q30H-B06	Q36H-B06	Q42H-B06	Q48H-B06	Q24H-B09	Q30H-B09	Q36H-B09	Q42H-B09	Q48H-B09	Q30H-B12	Q36H-B15	Q42H-B15	Q48H-B15	Q60H-B09	Q60H-B15
1	3000-1293	Wire Set P2	X	X	X	X	X	X	X	X	X	X	X	X	X	X	X	X	X	X	X	X	X
2	117-241	Control Panel	X	X	X	X	X	X	X	X	X	X	X	X	X	X	X	X	X	X	X	X	X
3	8201-119	Heat Pump Control	X	X	X	X	X	X	X	X	X	X	X	X	X	X	X	X	X	X	X	X	X
4	8607-022	Terminal Block	X	X	X	X	X	X	X	X	X	X	X	X	X	X	X	X	X	X	X	X	X
5	117-242	Box Partition	X	X	X	X	X	X	X	X	X	X	X	X	X	X	X	X	X	X	X	X	X
7	126-269	Circuit Breaker Base	X	X	X	X	X	X	X	X	X	X	X	X	X	X	X	X	X	X	X	X	X
8	8401-002	Contactors	X	X	X	X	X	X	X	X	X	X	X	X	X	X	X	X	X	X	X	X	X
9	8611-006	Ground Lug	X	X	X	X	X	X	X	X	X	X	X	X	X	X	X	X	X	X	X	X	X
11	8615-054	Circuit Breaker 3 Pole 20A	X	X																			
11	8615-051	Circuit Breaker 3 Pole 25A																					
11	8615-052	Circuit Breaker 3 Pole 30A																					
11	8615-042	Circuit Breaker 3 Pole 35A			X																		
11	8615-043	Circuit Breaker 3 Pole 40A				X																	
11	8615-044	Circuit Breaker 3 Pole 45A																					
11	8615-045	Circuit Breaker 3 Pole 50A																					
11	8615-046	Circuit Breaker 3 Pole 60A																					
12	8407-048	Transformer	X	X	X	X	X	X	X	X	X	X	X	X	X	X	X	X	X	X	X	X	X
14	8401-006	Contactors 2 Pole 20A																					
15	8402-100	Limits																					
15	8402-131	Limits																					

Continued on Page 17

This Table references Exploded View on Page 13

UPPER CONTROL PANEL COMPONENTS

Drawing No.	Part No.	Description	Q24H-B02	Q30H-B02	Q36H-B02	Q42H-B02	Q48H-B02	Q60H-B02	Q24H-B06	Q30H-B06	Q36H-B06	Q42H-B06	Q48H-B06	Q24H-B09	Q30H-B09	Q36H-B09	Q42H-B09	Q48H-B09	Q30H-B12	Q36H-B15	Q42H-B15	Q48H-B15	Q60H-B09	Q60H-B15
16	8604-105	Heat Strip 6KW							X	X									2		X			
16	8604-106	Heat Strip 9KW												X	X						X			
18	116-191	Heat Strip Wrapper							X	X														
19	8201-048	Relay							X	X														
20	8201-085	Phase Monitor	X	X					X	X														
21	8611-094	Indicator Light	X	X					X	X														
22	112-225	Bracket	X	X					X	X														
23	3000-1294	Wire Set PL3	X	X					X	X														
NS	8201-015	Staging Relay SR																						
NS	132-145	Heat Strip Cover							X	X														
NS	4101-210	Wiring Diagram	X	X																				
NS	4101-211	Wiring Diagram							X	X														
NS	4101-213	Wiring Diagram																						
NS	4101-212	Wiring Diagram																						

Continued from Page 16

NS = Not Shown

This Table references Exploded View on Page 13

UPPER CONTROL PANEL COMPONENTS

Drawing No.	Part No.	Description	Q24H-C02	Q30H-C02	Q36H-C02	Q42H-C02	Q48H-C02	Q60H-C02	Q24H-C06	Q30H-C06	Q36H-C06	Q42H-C06	Q48H-C06	Q24H-C09	Q30H-C09	Q36H-C09	Q42H-C09	Q48H-C09	Q30H-C12	Q36H-C15	Q42H-C15	Q48H-C15	Q60H-C15
1	3000-1293	Wire Set P2	X					X								X			X				X
2	117-241	Control Panel	X					X								X			X				X
3	8201-119	Heat Pump Control	X					X								X			X				X
4	8607-022	Terminal Block	X					X								X			X				X
5	117-242	Box Partition	X					X								X			X				X
6	8201-078	Low Pressure TDR	X					X								X			X				X
7	126-323	Circuit Breaker Base	X					X								X			X				X
8	8401-002	Contact	X					X								X			X				X
9	8611-006	Ground Lug	X					X								X			X				X
11	S8615-068	Disconnect	X					X								X			X				X
12	8407-048	Transformer	X					X								X			X				X
13	8201-032	Relay OMR	X					X								X			X				X
14	8401-002	Contact 3 Pole 25A						X								X			X				X
15	8402-100	Limits																					
15	8402-131	Limits						2			2					2			2			2	4

Continued on Page 19

This Table references Exploded View on Page 13

UPPER CONTROL PANEL COMPONENTS

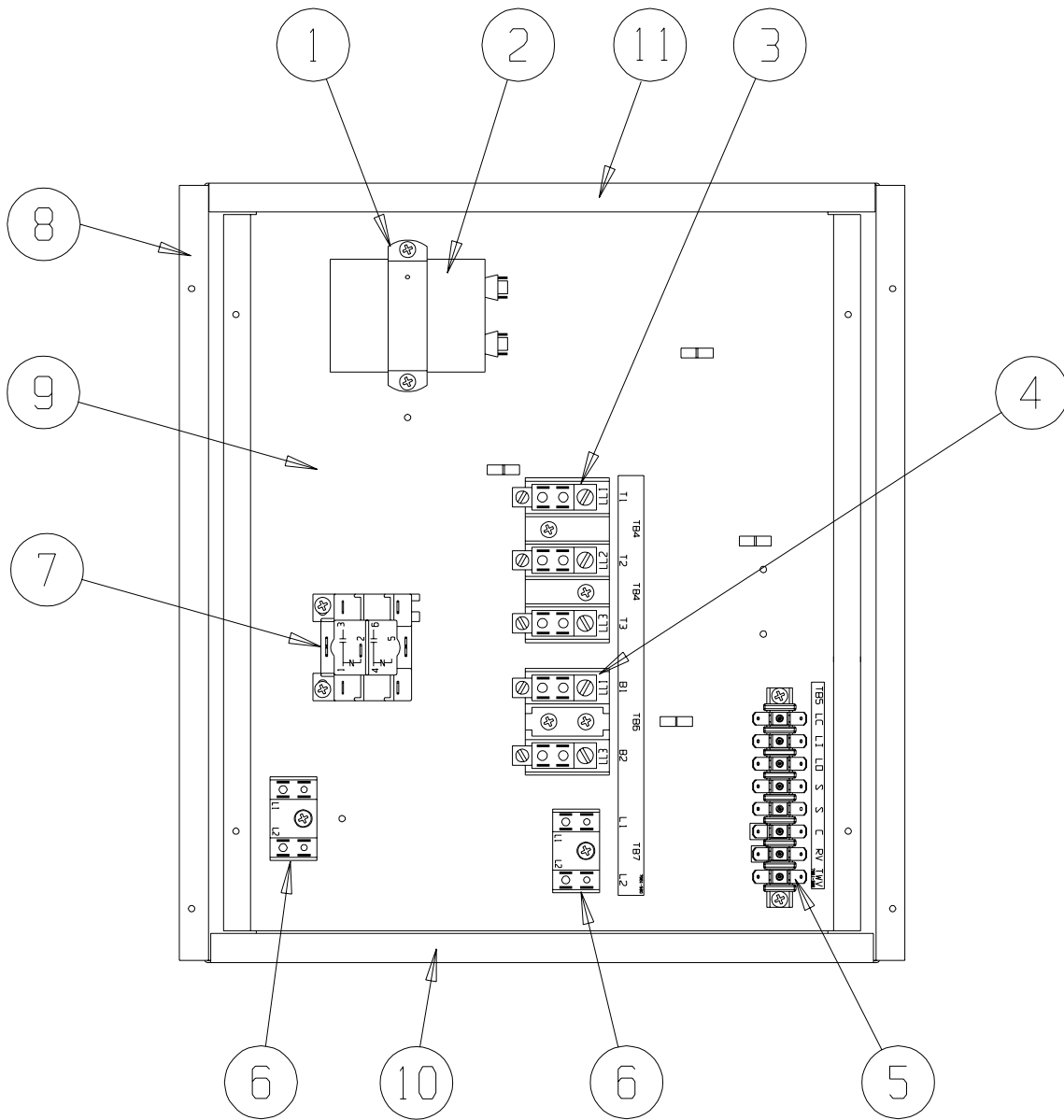
Drawing No.	Part No.	Description	Q24H-C0Z	Q30H-C0Z	Q36H-C0Z	Q42H-C0Z	Q48H-C0Z	Q60H-C0Z	Q24H-C06	Q30H-C06	Q36H-C06	Q42H-C06	Q48H-C06	Q24H-C09	Q30H-C09	Q36H-C09	Q42H-C09	Q48H-C09	Q30H-C12	Q36H-C15	Q42H-C15	Q48H-C15	Q60H-C15	
		Continued from Page 18																						
16	8604-107	Heat Strip 6KW 480V									X								2	X	X	X	X	
16	8604-108	Heat Strip 9KW 480V									X						X				X	X	X	
17	8614-041	Fuse Holder		X							X										X	X	X	
18	116-191	Heat Strip Wrapper									X										X	X	X	
19	8201-048	Relay									X										X	X	X	
20	8201-085	Phase Monitor		X							X										X	X	X	
21	8611-094	Indicator Light		X							X										X	X	X	
22	112-225	Bracket		X							X										X	X	X	
23	3000-1294	Wire Set PL3		X							X										X	X	X	
24	8614-042	Fuses Class CC 7A ①		X							X										X	X	X	
24	8614-046	Fuses Class CC 5A ②		X							X										X	X	X	
24	8614-047	Fuses Class CC 3.2A ③		X							X										X	X	X	
25	8615-071	Disconnect Handle		X							X										X	X	X	
NS	8407-058	Transformer Stepdown 1.0 KVA		X							X										X	X	X	
NS	8407-003	Transformer Stepdown 1.5 KVA		X							X										X	X	X	
NS	8407-004	Transformer Stepdown 2.0 KVA		X							X										X	X	X	
NS	8201-015	Staging Relay																						
NS	132-145	Heat Strip Cover											X								X	X	X	
NS	4101-310	Wiring Diagram		X																				
NS	4101-311	Wiring Diagram											X											
NS	4101-313	Wiring Diagram																				X	X	
NS	4101-312	Wiring Diagram																						

① 7 Amp fuses used with 2.0 KVA transformer. ② 5 Amp fuses used with 1.5 KVA transformer. ③ 3.2 Amp fuses used with 1 KVA transformer.

NS = Not Shown

This Table references Exploded View on Page 13

LOWER CONTROL PANEL COMPONENTS



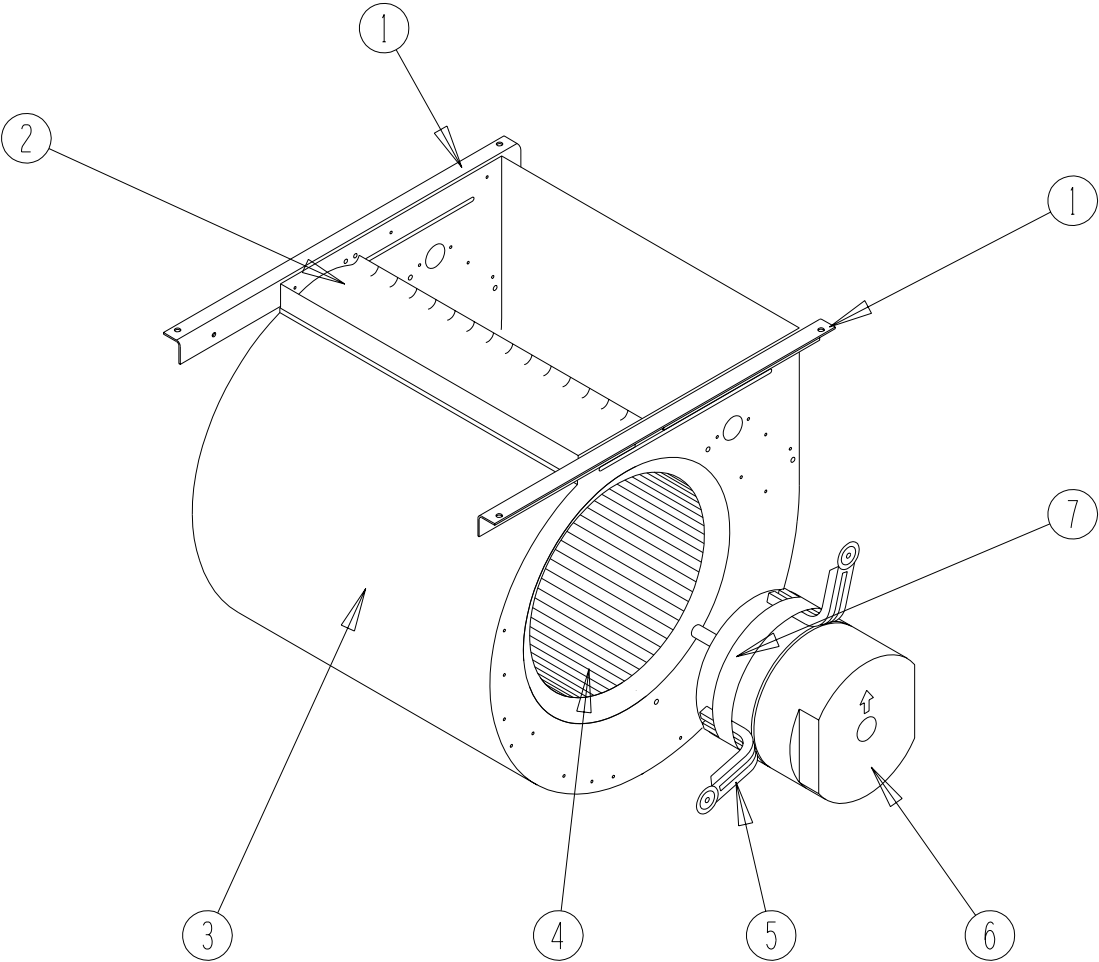
SEXP-374 A

LOWER CONTROL PANEL COMPONENTS

Drawing No.	Part No.	Description	Q24H-A	Q30H-A	Q36H-A	Q42H-A	Q48H-A	Q60H-A	Q24H - Q48H-B	Q60H-B	Q24H - Q48H-C	Q60H-C
1	8550-008	Capacitor Strap	X	X	X	X	X	X				
1	8550-003	Capacitor Strap							X		X	
2	8552-002	Fan Capacitor							X		X	
2	8552-050	Compressor Capacitor	X									
2	8552-052	Compressor Capacitor		X	X	X						
2	8552-081	Compressor Capacitor					X					
2	8552-088	Compressor Capacitor						X				
3	8607-014	Terminal Block 3 Terminal							X	X	X	X
4	8607-013	Terminal Block 2 Terminal	X	X	X	X	X	X			X	X
5	8607-022	Terminal Block 8 Pos	X	X	X	X	X	X	X	X	X	X
6	8607-017	Terminal Block 2 Terminal	X	X	X	X	X	X	X	X	X	X
7	8201-032	Low Ambient Bypass Relay (Optional)	X	X	X	X	X	X	X	X	X	X
8	117-239	Lower Control Panel	X	X	X	X	X	X	X	X	X	X
9	117-240	Lower Control Panel Plate	X	X	X	X	X	X	X	X	X	X
10	117-238	Lower Control Panel Bottom	X	X	X	X	X	X	X	X	X	X
11	117-237	Lower Control Panel Top	X	X	X	X	X	X	X	X	X	X

① Optional on standard models. Standard on low ampacity models.

BLOWER ASSEMBLY COMPONENTS

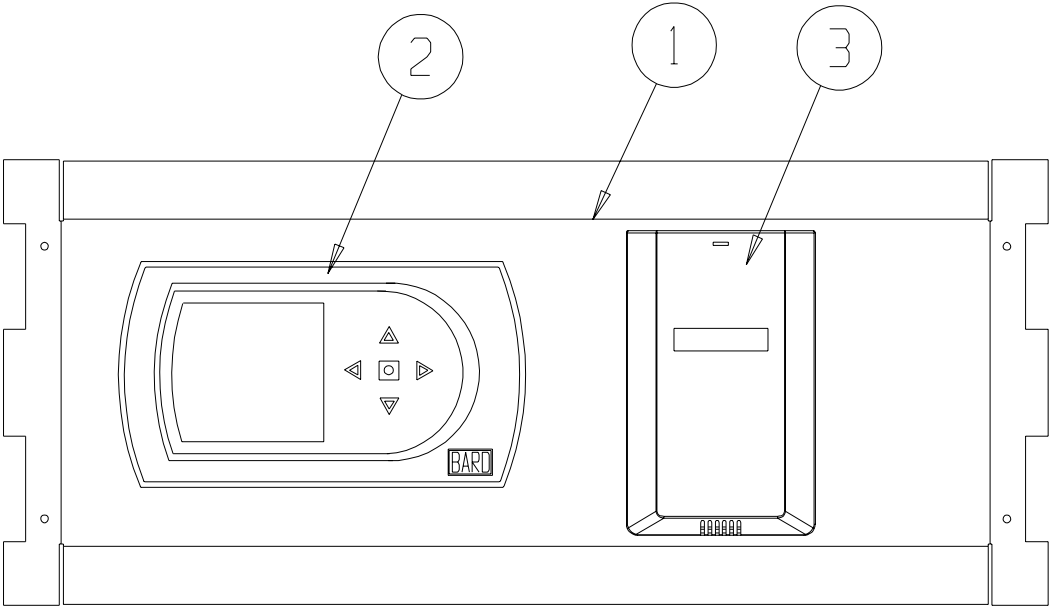


SEXP-245

BLOWER ASSEMBLY COMPONENTS

Drawing No.	Part No.	Description	900-225-001	900-225-002	900-225-004	900-225-005	900-254-001
1	104-980	Blower Angle	2	2	2	2	2
2	144-131	Diffuser	X	X	X	X	X
3	151-110	Blower Housing	X	X	X	X	X
4	5152-061	Blower Wheel	X	X	X	X	X
5	8620-034	Motor Mount Kit	1	1	1	1	1
6	S8106-035-0003B	1/2 HP ECM Motor with Programmed Control	X				
6	C8106-035-0003B	Programmed Motor Control - Only	X				
6	S8106-035-0004A	1/2 HP ECM Motor with Programmed Control		X			
6	C8106-035-0004A	Programmed Motor Control - Only		X			
6	S8106-035-0005B	1/2 HP ECM Motor with Programmed Control			X		
6	C8106-035-0005B	Programmed Motor Control - Only			X		
6	S8106-035-0013A	1/2 HP ECM Motor with Programmed Control				X	
6	C8106-035-0013A	Programmed Motor Control - Only				X	
6	S8107-009-0024B	3/4 HP ECM Motor with Programmed Control					X
6	C8107-009-0024B	Programmed Motor Control - Only					X
7	8620-034	Motor Mount	X	X	X	X	X

OPTIONAL CLIMATE CONTROLS



SEXP-0497 A

OPTIONAL CLIMATE CONTROLS

Drawing No.	Part No.	Description	Q24H, Q30H Q36H, Q42H Q48H, Q60H			
			Option X	Option A	Option D	Option H
1	S127-313-* ①	Thermostat Plate	X			
1	S127-308-* ①	Thermostat Plate		X	X	
1	S127-372-* ①	Thermostat Plate				X
2	8403-060	Electronic / Non-Programmable Manual / Auto Changeover		X		
2	8403-060	Electronic / Programmable Manual / Auto Changeover			X	X
3	8403-056	CO2 Sensor				X
NS	3000-1289	Wire Harness, Low Voltage, Terminal Strip to PL2	X			
NS	3000-1286	Wire Harness, Thermostat to PL2		X		
NS	3000-1288	Wire Harness, Thermostat to PL2			X	
NS	3000-1287	Wire Harness				X
NS	8607-019	Low Voltage Terminal Strip	X	X		
NS	4102-061	Wiring Diagram	X			
NS	4102-062	Wiring Diagram		X		
NS	4102-060	Wiring Diagram			X	
NS	4102-059	Wiring Diagram				X

① Exterior cabinet parts are manufactured with various color options. To insure that you receive the proper color, you must include the complete models and serial number of the unit for which parts are being ordered.

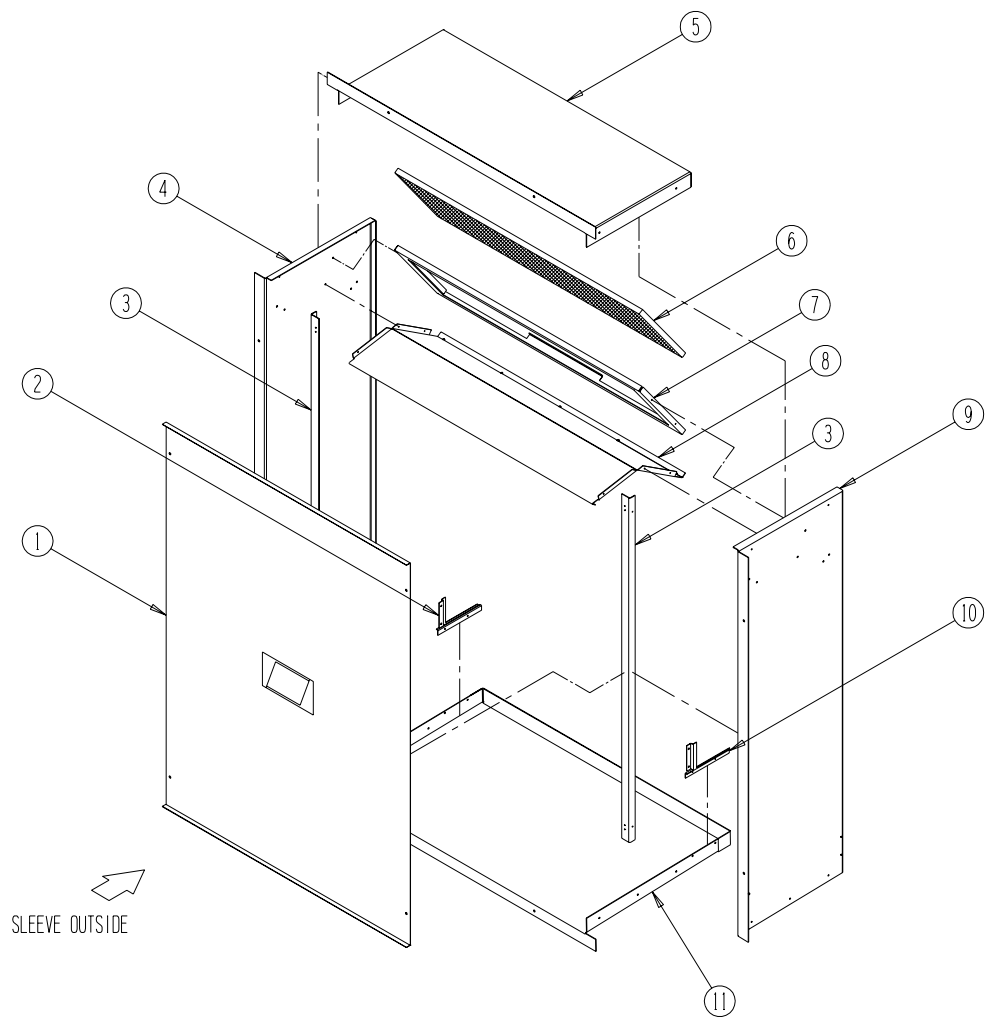
NS Not Shown

CLIMATE CONTROL OPTION NOMENCLATURE AS SHOWN IN UNIT MODEL NUMBER

Q 36H1 - A 09 X X X X X X

- X – None
- A – Electronic, non-programmable, manual changeover
- D – Electronic, programmable, manual/auto changeover

WALL SLEEVE CABINET COMPONENTS



SEXP-281

WALL SLEEVE CABINET COMPONENTS

Drawing No.	Part No.	Description	QWS42A	QWS42A-16	QWS48A	QWS48A-16
1	142-056	Cover	X	X		
1	142-068	Cover			X	X
2	137-450-X	Left Sleeve Corner Fill	X	X	X	X
3	104-988-X	Angle	2	2	2	2
4	111-081-X	Left Side	X		X	
4	111-083-X	Left Side		X		X
5	111-047-X	Top	X			
5	110-050-X	Top		X		
5	110-056-X	Top			X	
5	110-070-X	Top				X
6	7003-044	Mist Eliminator	X	X	X	X
7	131-120-X	Filter Tray	X	X		
7	131-128-X	Filter Tray			X	X
8	121-305-X	Partition	X			
8	121-309-X	Partition		X		
8	121-322-X	Partition			X	
8	121-348-X	Partition				X
9	111-080-X	Right Side	X		X	
9	111-082-X	Right Side		X		X
10	137-449-X	Right Sleeve Corner Fill	X	X		
11	111-046-X	Base	X			
11	111-049-X	Base		X		
11	111-055-X	Base			X	
11	111-071-X	Base				X