

REPLACEMENT PARTS MANUAL

QTEC SERIES PACKAGED HEAT PUMP

Models:

Q24H1D Q30H1D
Q36H1D Q42H1D
Q48H1D Q60H1D

General Notes

- Revised and/or additional pages may be issued from time to time.
- A complete and current manual consists of pages shown in the following contents section.

Contents

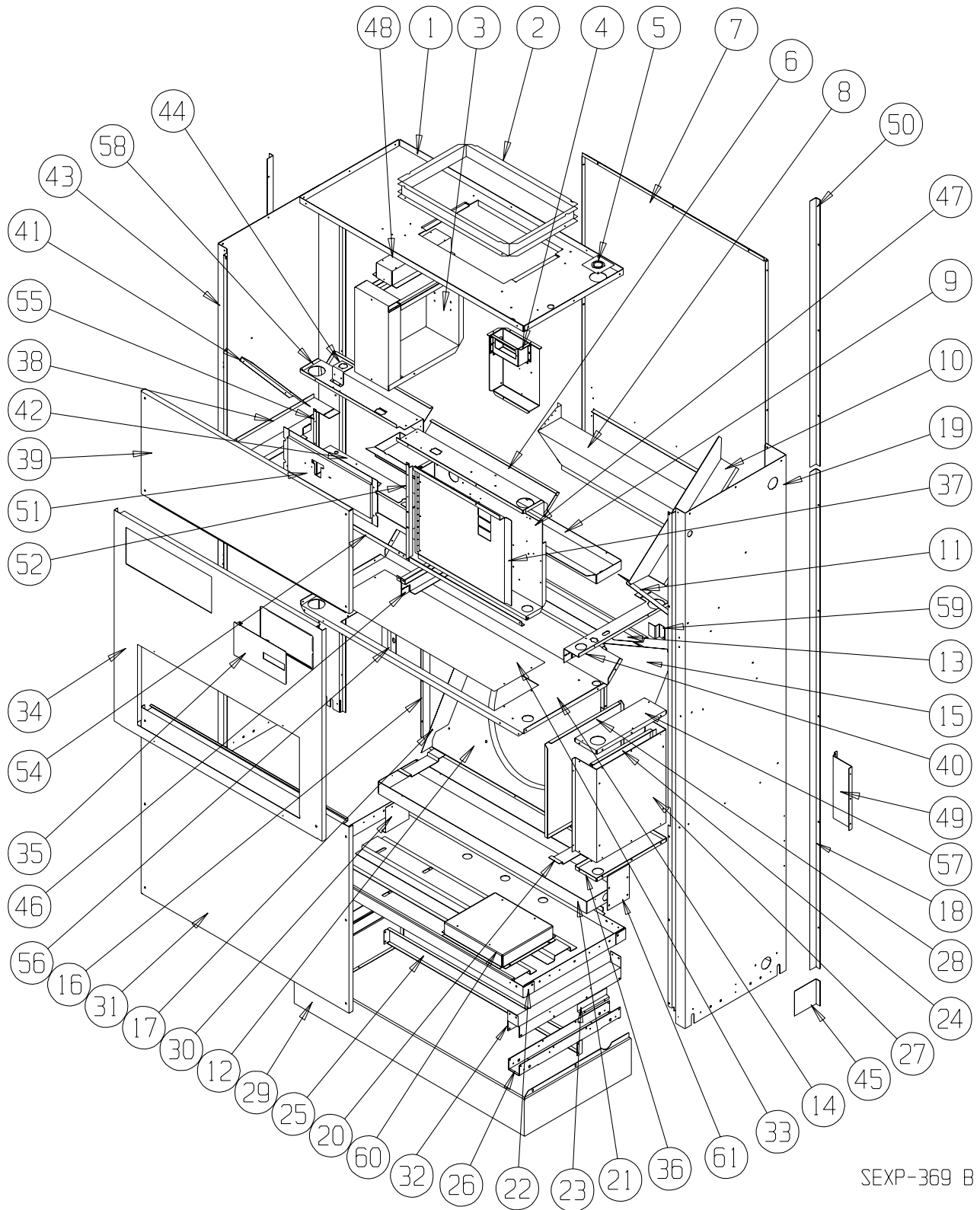
Description	Page
Cabinet Components	
♦ Exploded View	2
♦ Usage List	3
♦ Usage List	4
♦ Usage List	5
♦ Usage List	6
♦ Blank Page	7
Functional Components	
♦ Exploded View	8
♦ Usage List	9
♦ Usage List	10
♦ Usage List	11
Upper Control Panel Components	
♦ Exploded View	12
♦ Usage List	13
♦ Usage List	14
♦ Usage List	15
♦ Usage List	16
♦ Usage List	17
♦ Usage List	18
♦ Blank Page	19
Lower Control Panel Components	
♦ Exploded View	20
♦ Usage List	21
Dehumidification Module Components	
♦ Exploded View	22
♦ Usage List	23
Blower Assembly Components	
♦ Exploded View	24
♦ Usage List	25
Optional Climate Control Components	
♦ Exploded View	26
♦ Usage List	27
Wall Sleeve Cabinet Components	
♦ Exploded View	28
♦ Usage List	29



Bard Manufacturing Company, Inc.
Bryan, Ohio 43506
Since 1914...Moving ahead, just as planned.

Manual: 2110-575B
Supersedes: 2110-575A
File: Tab 14
Date: 08-20-10

CABINET COMPONENTS



SEXP-369 B

This Exploded View is referenced in Tables on Page 3, 4, 5 & 6

CABINET COMPONENTS

Drawing No.	Part No.	Description	Q24H1DA, B	Q24H1DC	Q30H1DA, B	Q30H1DC	Q36H1DA, B	Q36H1DC	Q42H1DA, B	Q42H1DC
1	506-225	Top Assembly	X	X	X	X	X	X	X	X
2	110-044	Outlet Duct Flange	2	2	2	2	2	2	2	2
3	See Page 12	Heater Package Assembly (Optional)	X	X	X	X	X	X	X	X
4	117-285	Low Voltage Box Assembly (Optional)	X	X	X	X	X	X	X	X
5	136-359	T.K.O. Plate	X	X	X	X	X	X	X	X
6	534-191	Evaporator Coil Shield - Right	X	X	X	X	X	X	X	X
7	508-133	Back Assembly	X	X	X	X	X	X	X	X
8	538-106	Fresh Air Damper Assembly	X	X	X	X	X	X	X	X
9	S523-104	Evaporator Drain Pan Assembly	X	X	X	X	X	X	X	X
10	134-154	Wire Channel	X	X	X	X	X	X	X	X
11	140X277	Right Evaporator Support	X	X	X	X	X	X	X	X
12	125-032	Fan Shroud Back	X	X	X	X	X	X	X	X
13	142-055	Condenser Coil Fill	X	X	X	X	X	X	X	X
14	520-346	Condenser Partition Assembly	X	X	X	X	X	X	X	X
15	124X043	Fan Shroud Right Side	X	X	X	X	X	X	X	X
16	124Y043	Fan Shroud Left Side	X	X	X	X	X	X	X	X
17	140-229	Condenser Coil Support	2	2	2	2	2	2	2	2
18	S135-177-* ①	Side Trim - Lower	2	2	2	2	2	2	2	2
19	500-392-* ①	Right Side Assembly	X	X	X	X	X	X	X	X
20	140-227	Subcooling Loop Hold Down	3	3	3	3	3	3	3	3
21	123-094	Condenser Drain Pan Assembly	X	X	X	X	X	X	X	X
22	527-309-X	Lower Base Assembly	X	X	X	X	X	X	X	X
23	102-415	Pile Seal Offset	2	2	2	2	2	2	2	2
24	117-240	Lower Control Panel Plate	X	X	X	X	X	X	X	X
25	135-189	Base Shield	X	X	X	X	X	X	X	X
26	140-276	Lower Roller Support	2	2	2	2	2	2	2	2
27	See Page 8	Control Panel Components	X	X	X	X	X	X	X	X
28	133-164	Control Panel Door - Lower	X	X	X	X	X	X	X	X
29	534-155-6	Base Trim Assembly	X	X	X	X	X	X	X	X
30	140-230	Drain Pan Support	X	X	X	X	X	X	X	X
31	552-332-* ①	Condenser Door Assembly	X	X	X	X	X	X	X	X
32	140-280	Upper Roller Support	2	2	2	2	2	2	2	2
33	536-351	Condenser Blank Off Plate	X	X	X	X	X	X	X	X
34	552-330-* ①	Filter Door Assembly	X	X	X	X	X	X	X	X
35	153-336-* ①	Circuit Breaker Door	X	X	X	X	X	X	X	X
36	117-238	Lower Control Panel Bottom	X	X	X	X	X	X	X	X
37	132-173	Rotary Disconnect Door Inner		X		X		X		X
37	132-165	Circuit Breaker Door Inner	X		X		X		X	
38	113-281	Left Filter Bracket	X	X	X	X	X	X	X	X
39	552-331-* ①	Blower Door Assembly	X	X	X	X	X	X	X	X

Continued on Page 4

① Exterior cabinet parts are manufactured with various color options. To insure that you receive the proper color, you must include the complete models and serial number of the unit for which parts are being ordered.

This Table references Exploded View on Page 2

CABINET COMPONENTS

Drawing No.	Part No.	Description	Q24H1DA, DB	Q24H1DC	Q30H1DA, DB	Q30H1DC	Q36H1DA, DB	Q36H1DC	Q42H1DA, DB	Q42H1DC
<i>Continued from Page 3</i>										
40	113-282	Right Filter Bracket	X	X	X	X	X	X	X	X
41	140Y277	Left Evaporator Support	X	X	X	X	X	X	X	X
42	116-254	Dehum Control Box	X	X	X	X	X	X	X	X
43	500-391-* ①	Left Side Assembly	X	X	X	X	X	X	X	X
44	113-142	Expansion Valve Mounting Plate	X	X	X	X	X	X	X	X
45	135-165-* ①	Base Trim Extension	2	2	2	2	2	2	2	2
46	112X283	Center Right Filter Bracket	X	X	X	X	X	X	X	X
46	112Y283	Center Left Filter Bracket	X	X	X	X	X	X	X	X
47	See Page 12	Pull Disconnect Assembly		X		X		X		X
47	See Page 12	Circuit Breaker Box Assembly	X		X		X		X	
48	112-229	Heatstrip Bracket	X	X	X	X	X	X	X	X
49	112-234	Mounting Bracket	2	2	2	2	2	2	2	2
50	S135-178-* ①	Side Trim - Upper	2	2	2	2	2	2	2	2
51	See Page 26	Thermostat Mounting Plate	X	X	X	X	X	X	X	X
52	104-1096	Left Thermostat Support Angle	X	X	X	X	X	X	X	X
54	104-1097	Front Filter Angle	X	X	X	X	X	X	X	X
55	104-1096	Right Thermostat Support Angle	X	X	X	X	X	X	X	X
56	102-434	Sleeve Offset	X	X	X	X	X	X	X	X
57	117-237	Lower Control Panel Top	X	X	X	X	X	X	X	X
58	534-190	Evaporator Coil Shield - Left	X	X	X	X	X	X	X	X
59	103-443	Door Latch Offset	X	X	X	X	X	X	X	X
60	140-282	Transformer Support		X		X		X		X
NS	132-180	Dehum Control Box Cover	X	X	X	X	X	X	X	X

① Exterior cabinet parts are manufactured with various color options. To insure that you receive the proper color, you must include the complete models and serial number of the unit for which parts are being ordered.

This Table references Exploded View on Page 2

CABINET COMPONENTS

Drawing No.	Part No.	Description	Q48H1DA, DB	Q60H1DA, DB
			Q48H1DC	Q60H1DC
1	506-226	Top Assembly	X	X
2	110-044	Outlet Duct Flange	2	2
3	See Page 12	Heater Package Assembly (Optional)	X	X
4	117-285	Low Voltage Box Assembly (Optional)	X	X
5	136-359	T.K.O. Plate	X	X
6	534-195	Evaporator Coil Shield - Right	X	X
7	508-149	Back Assembly	X	X
8	538-106	Fresh Air Damper Assembly	X	X
9	S523-105	Evaporator Drain Pan Assembly	X	X
10	134-154	Wire Channel	X	X
11	140X277	Right Evaporator Support	X	X
12	125-046	Fan Shroud Back	X	X
13	143-066	Condenser Coil Fill	X	X
14	520-347	Condenser Partition Assembly	X	X
15	125-041	Fan Shroud Right Side	X	X
16	125-045	Fan Shroud Left Side	X	X
17	140-229	Condenser Coil Support	2	2
18	S135-177-* ①	Side Trim - Lower	2	2
19	500-392-* ①	Right Side Assembly	X	X
20	140-227	Subcooling Loop Hold Down	3	3
21	123-099	Condenser Drain Pan Assembly	X	X
22	527-294-X	Lower Base Assembly	X	X
23	102-415	Pile Seal Offset	2	2
24	117-240	Lower Control Panel Plate	X	X
25	135-194	Base Shield	X	X
26	140-276	Lower Roller Support	2	2
27	See Page 8	Control Panel Components	X	X
28	133-164	Control Panel Door - Lower	X	X
29	534-174-6	Base Trim Assembly	X	X
30	140-230	Drain Pan Support	X	X
31	552-334-* ①	Condenser Door Assembly	X	X
32	140-280	Upper Roller Support	2	2
33	536-351	Condenser Blank Off Plate	X	X
34	552-335-* ①	Filter Door Assembly	X	X
35	152-336-* ①	Circuit Breaker Door	X	X
36	117-238	Lower Control Panel Bottom	X	X
37	132-173	Rotary Disconnect Door Inner		X
37	132-165	Circuit Breaker Door Inner	X	
38	113-281	Left Filter Bracket	X	X
39	552-333-* ①	Blower Door Assembly	X	X

Continued on Page 6

① Exterior cabinet parts are manufactured with various color options. To insure that you receive the proper color, you must include the complete models and serial number of the unit for which parts are being ordered.

This Table references Exploded View on Page 2

CABINET COMPONENTS

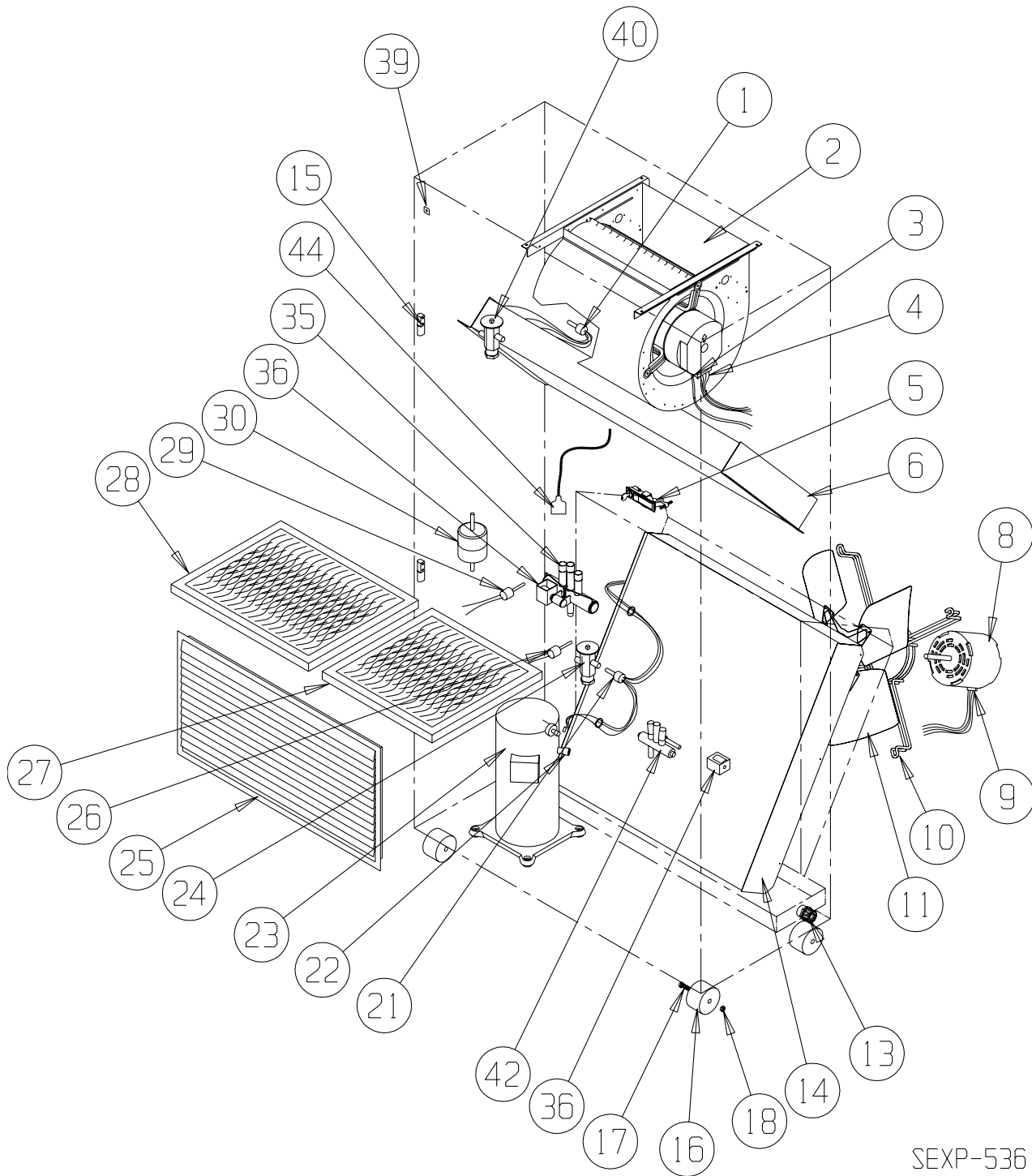
Drawing No.	Part No.	Description	Q48H1DA, DB Q60H1DA, DB	Q48H1DC Q60H1DC
<i>Continued from Page 5</i>				
40	113-286	Right Filter Bracket	X	X
41	140Y277	Left Evaporator Support	X	X
42	116-254	Dehum Control Box	X	X
43	500-393-* ①	Left Side Assembly	X	X
44	113-142	Expansion Valve Mounting Plate	X	X
45	134-165-* ①	Base Trim Extension	2	2
46	112X283	Center Right Filter Bracket	X	X
46	112Y283	Center Left Filter Bracket	X	X
47	See Page 12	Pull Disconnect Assembly		X
47	See Page 12	Circuit Breaker Box Assembly	X	
48	112-229	Heatstrip Bracket	X	X
49	112-234	Mounting Bracket	2	2
50	S135-178-* ①	Side Trim - Upper	2	2
51	See Page 26	Thermostat Mounting Plate	X	X
52	104-1096	Left Thermostat Support Angle	X	X
54	104-1101	Front Filter Angle	X	X
55	104-1096	Right Thermostat Support Angle	X	X
56	102-434	Sleeve Offset	X	X
57	117-237	Lower Control Panel Top	X	X
58	534-190	Evaporator Coil Shield - Left	X	X
59	103-443	Door Latch Offset	X	X
60	140-282	Transformer Support		X
61	112-372	Motor Control Bracket (Q60H*D only)	X	X
NS	132-180	Dehum Control Box Cover	X	X

① Exterior cabinet parts are manufactured with various color options. To insure that you receive the proper color, you must include the complete models and serial number of the unit for which parts are being ordered.

This Table references Exploded View on Page 2

This page intentionally left blank.

FUNCTIONAL COMPONENTS



SEXP-536

This Exploded View is referenced in Tables on pages 9, 10 & 11

FUNCTIONAL COMPONENTS

Drawing No.	Part No.	Description	Q24H1DA	Q24H1DB	Q24H1DC	Q30H1DA	Q30H1DB	Q30H1DC	Q36H1DA	Q36H1DB	Q36H1DC	Q42H1DA	Q42H1DB	Q42H1DC
1	5625-015	Distributor Cooling	X	X	X	X	X	X						
1	5625-020	Distributor Cooling							X	X	X	X	X	X
2	S900-225-001	Blower Assembly	X	X	X									
2	S900-225-002	Blower Assembly				X	X	X						
2	S900-225-004	Blower Assembly							X	X	X	X	X	X
3	3000-1145	Wire Harness High Voltage			X			X			X			X
3	3000-1046	Wire Harness High Voltage	X	X		X	X		X	X		X	X	
4	3000-1292	Wire Harness Low Voltage	X	X	X	X	X	X	X	X	X	X	X	X
5	1171-049	Keylatch/Circuit Breaker Door	X	X	X	X	X	X	X					
6	917-0039BX	Evaporator Coil Assembly	X	X	X									
6	917-0104BX	Evaporator Coil Assembly				X	X	X						
6	917-0040BX	Evaporator Coil Assembly							X	X	X	X	X	X
8	8103-037	Motor	X	X		X	X							
8	8103-038	Motor			X			X						
8	8105-051	Motor							X	X		X	X	
8	8105-052	Motor									X			X
9	3000-1141	Wire Harness	X	X	X	X	X	X	X	X	X	X	X	X
10	8200-001	Motor Mount	X	X	X	X	X	X	X	X	X	X	X	X
11	5151-050	Fan Blade	X	X	X	X	X	X						
11	5151-055	Fan Blade							X	X	X	X	X	X
13	6094-003	Drain Fitting	1	1	1	1	1	1	1	1	1	1	1	1
14	5051-095BX	Condenser Coil	X	X	X	X	X	X						
14	5051-096BX	Condenser Coil							X	X	X	X	X	X
15	5400-005	Hinge	2	2	2	2	2	2	2	2	2	2	2	2
16	1171-035	Wheel	4	4	4	4	4	4	4	4	4	4	4	4
17	1012-129	Bolt - Shoulder	4	4	4	4	4	4	4	4	4	4	4	4
18	1012-224	Nut - Locking	4	4	4	4	4	4	4	4	4	4	4	4
21	5625-008	Distributor - Heating	X	X	X	X	X	X						
21	5625-010	Distributor - Heating							X	X	X			
21	5625-041	Distributor - Heating										X	X	X
22	8620-095	Defrost Sensor	X	X	X	X	X	X	X	X	X	X	X	X
23	8000-314	Compressor	X											
23	8000-315	Compressor		X										
23	8000-316	Compressor			X									
23	8000-298	Compressor				X								
23	8000-299	Compressor					X							
23	8000-300	Compressor						X						
23	8000-309	Compressor							X					
23	8000-310	Compressor								X				
23	8000-311	Compressor									X			
23	8000-318	Compressor										X		
23	8000-319	Compressor											X	
23	8000-320	Compressor												X
24	5651-191	TXV Heating	X	X	X									
24	5651-177	TXV Heating				X	X	X						
24	5651-178	TXV Heating							X	X	X	X	X	X
25	7051-034	Return Air Grille	X	X	X	X	X	X	X	X	X	X	X	X
26	1804-0385	High Pressure Control	X	X	X	X	X	X	X	X	X	X	X	X
27	7004-009	Air Filter	X	X	X	X	X	X	X	X	X	X	X	X
27	7004-032	Filter 2" Fiberglass (Optional)	X	X	X	X	X	X	X	X	X	X	X	X
27	7004-034	Filter 2" Pleated (Optional)	X	X	X	X	X	X	X	X	X	X	X	X
28	7004-010	Air Filter	X	X	X	X	X	X	X	X	X	X	X	X
28	7004-033	Filter 2" Fiberglass (Optional)	X	X	X	X	X	X	X	X	X	X	X	X
28	7004-035	Filter 2" Pleated (Optional)	X	X	X	X	X	X	X	X	X	X	X	X

Continued on Page 10

This Table references Exploded View on Page 8

FUNCTIONAL COMPONENTS

Drawing No.	Part No.	Description	Q24H1DA	Q24H1DB	Q24H1DC	Q30H1DA	Q30H1DB	Q30H1DC	Q36H1DA	Q36H1DB	Q36H1DC	Q42H1DA	Q42H1DB	Q42H1DC
<i>Continued from Page 9</i>														
29	1804-0107	Low Pressure Control	X	X	X	X	X	X	X	X	X	X	X	X
30	5201-009	Filter/Drier	X	X	X	X	X	X						
30	5201-010	Filter/Drier							X	X	X	X	X	X
35	5650-038	Reversing Valve with Solenoid	X	X	X									
35	5650-039	Reversing Valve with Solenoid				X	X	X						
35	5650-040	Reversing Valve with Solenoid							X	X	X	X	X	X
36	5650-042	Rev. Valve Solenoid, Red Casing (Ranco)	X	X	X	X	X	X	X	X	X	X	X	X
36	5650-043	Rev. Valve Solenoid, Blk Casing (Wilspec)	X	X	X	X	X	X	X	X	X	X	X	X
36	5650-046	Rev. Valve Solenoid, Blk Casing (San Hua)	X	X	X	X	X	X	X	X	X	X	X	X
39	1012-315	"U" Clip Fastener	10	10	10	10	10	10	10	10	10	10	10	10
40	5651-191	TXV Cooling	X	X	X									
40	5651-177	TXV Cooling				X	X	X	X	X				
40	5651-178	TXV Cooling										X	X	X
42	5650-045	Three Way Valve	X	X	X	X	X	X	X	X	X	X	X	X
43	5650-042	Rev. Valve Solenoid, Red Casing (Ranco)	X	X	X	X	X	X	X	X	X	X	X	X
43	5650-043	Rev. Valve Solenoid, Blk Casing (Wilspec)	X	X	X	X	X	X	X	X	X	X	X	X
43	5650-046	Rev. Valve Solenoid, Blk Casing (San Hua)	X	X	X	X	X	X	X	X	X	X	X	X
44	5650-037	Molded Plug 36" Lead	X	X	X	X	X	X	X	X	X	X	X	X
NS	CMA-28	Low Ambient Control	X	X	X	X	X	X	X	X	X	X	X	X
NS	4100-117	Wiring Diagram	X			X			X			X		
NS	4100-217	Wiring Diagram		X			X			X			X	
NS	4100-317	Wiring Diagram			X			X			X			X
NS	800-0396	Drain Back Tube Assembly	X	X	X	X	X	X	X	X	X	X	X	X

NS = Not Shown

These Tables reference Exploded View on Page 8

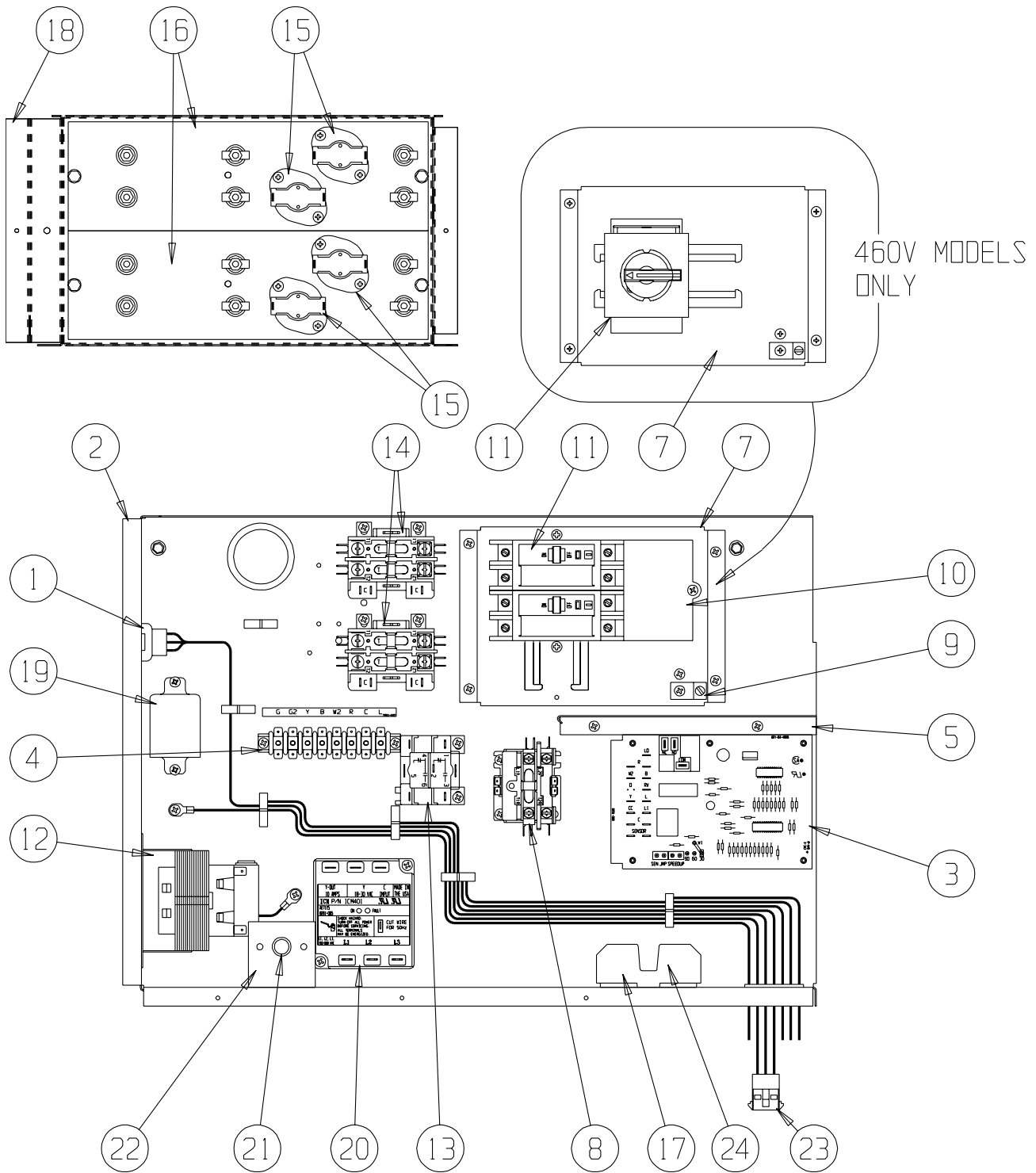
FUNCTIONAL COMPONENTS

Drawing No.	Part No.	Description	Q48H1DA	Q48H1DB	Q48H1DC	Q60H1DA	Q60H1DB	Q60H1DC
1	5625-022	Cooling Distributor	X	X	X			
1	5625-019	Cooling Distributor				X	X	X
2	S900-225-005	Blower Assembly	X	X	X			
2	S900-254-001	Blower Assembly				X	X	X
3	3000-1145	Wire Harness High Voltage			X			X
3	3000-1046	Wire Harness High Voltage	X	X		X	X	
4	3000-1292	Wire Harness Low Voltage	X	X	X	X	X	X
5	1171-049	Keylatch/Circuit Breaker Door	X	X	X	X	X	X
6	917-0041BX	Evaporator Coil	X	X	X			
6	917-0069BX	Evaporator Coil				X	X	X
8	8105-051	Motor	X	X				
8	8105-052	Motor			X			
8	8106-047	ECM Motor				X	X	X
9	3000-1141	Wire Harness	X	X	X	X	X	X
10	8200-001	Motor Mount	X	X	X	X	X	X
11	5151-055	Fan Blade	X	X	X	X	X	X
13	6094-003	Drain Fitting	2	2	2	2	2	2
14	5051-104BX	Condenser Coil	X	X	X			
14	5051-162BX	Condenser Coil 28 x 36"				X	X	X
14	5051-161BX	Condenser Coil 8 x 36"				X	X	X
15	5400-005	Hinge	2	2	2	2	2	2
16	1171-035	Wheel	4	4	4	4	4	4
17	1012-129	Bolt - Shoulder	4	4	4	4	4	4
18	1012-224	Nut - Locking	4	4	4	4	4	4
21	5625-024	Distributor - Heating	X	X	X	X	X	X
22	8620-095	Defrost Sensor	X	X	X	X	X	X
23	8000-321	Compressor	X					
23	8000-322	Compressor		X				
23	8000-323	Compressor			X			
23	8000-324	Compressor				X		
23	8000-325	Compressor					X	
23	8000-326	Compressor						X
24	5651-178	TXV Heating	X	X	X			
24	5651-184	TXV Heating				X	X	X
25	7051-039	Return Air Grille	X	X	X	X	X	X
26	1804-0385	High Pressure Control	X	X	X	X	X	X
27	7004-009	Air Filter	X	X	X	X	X	X
27	7004-032	Filter 2" Fiberglass (Optional)	X	X	X	X	X	X
27	7004-034	Filter 2" Pleated (Optional)	X	X	X	X	X	X
28	7004-011	Air Filter	X	X	X	X	X	X
28	7004-036	Filter 2" Fiberglass (Optional)	X	X	X	X	X	X
28	7004-025	Filter 2" Pleated (Optional)	X	X	X	X	X	X
29	1804-0107	Low Pressure Control	X	X	X	X	X	X
30	5201-010	Filter/Drier	X	X	X	X	X	X
35	5650-040	Reversing Valve	X	X	X	X	X	X
36	5650-042	Rev. Valve Solenoid, Red Casing (Ranco)	X	X	X	X	X	X
36	5650-043	Rev. Valve Solenoid, Black Casing (Wilspec)	X	X	X	X	X	X
36	5650-046	Rev. Valve Solenoid, Black Casing (San Hua)	X	X	X	X	X	X
39	1012-315	"U" Clip Fastener	10	10	10	10	10	10
40	5651-178	TXV Cooling	X	X	X			
40	5651-182	TXV Cooling				X	X	X
42	5650-045	Three Way Valve	X	X	X	X	X	X
43	5650-042	Rev. Valve Solenoid, Red Casing (Ranco)	X	X	X	X	X	X
43	5650-043	Rev. Valve Solenoid, Black Casing (Wilspec)	X	X	X	X	X	X
43	5650-046	Rev. Valve Solenoid, Black Casing (San Hua)	X	X	X	X	X	X
44	5650-037	Molded Plug 36" Lead	X	X	X	X	X	X
NS	CMA-28	Low Ambient Control	X	X	X	X	X	X
NS	4100-117	Wiring Diagram	X					
NS	4100-217	Wiring Diagram		X				
NS	4100-317	Wiring Diagram			X			
NS	4100-119	Wiring Diagram				X		
NS	4100-219	Wiring Diagram					X	
NS	4100-319	Wiring Diagram						X
NS	5202-026	Suction Accumulator				X	X	X

NS = Not Shown

These Tables reference Exploded View on Page 8

UPPER CONTROL PANEL COMPONENTS



SEXP-373 B

This Exploded View is referenced in Tables on pages 13 — 18

UPPER CONTROL PANEL COMPONENTS

Drawing No.	Part No.	Description	Q24H1DA0Z	Q30H1DA0Z	Q36H1DA0Z	Q42H1DA0Z	Q48H1DA0Z	Q60H1DA0Z	Q24H1DA05	Q30H1DA05	Q36H1DA05	Q42H1DA05	Q48H1DA05	Q60H1DA05
1	3000-1293	Wire Set PL2	X	X	X	X	X	X	X	X	X	X	X	X
2	117-241	Control Panel	X	X	X	X	X	X	X	X	X	X	X	X
3	8201-119	Heat Pump Control	X	X	X	X	X	X	X	X	X	X	X	X
4	8607-022	Terminal Block	X	X	X	X	X	X	X	X	X	X	X	X
5	117-242	Box Partition	X	X	X	X	X	X	X	X	X	X	X	X
7	126-267	Circuit Breaker Base	X	X	X	X	X	X	X	X	X	X	X	X
8	8401-007	Contactor	X	X	X				X	X				
8	8401-016	Contactor					X	X					X	X
9	8611-006	Ground Lug	X	X	X	X	X	X	X	X	X	X	X	X
10	8615-047	Jumper Bar Base											X	X
11	8615-036	Circuit Breaker 2 Pole 25A Ckt B											X	X
11	8615-037	Circuit Breaker 2 Pole 30A Ckt A	X											
11	8615-039	Circuit Breaker 2 Pole 45A Ckt A		X										
11	8615-040	Circuit Breaker 2 Pole 50A Ckt A			X	X			X				X	
11	8615-041	Circuit Breaker 2 Pole 60A Ckt A						X			X			X
12	8407-048	Transformer	X	X	X	X	X	X	X	X	X	X	X	X
14	8401-006	Contactor 2 Pole 20A							X	X	X	X	X	X
15	8402-100	Limits							1	1	1			
15	8402-131	Limits												X
16	8601-103	Heat Strip 5 kW							X	X	X	X	X	X
18	116-191	Heat Strip Wrapper							X	X	X	X	X	X
19	8201-048	Relay							X	X	X	X	X	X
21	8611-094	Indicator Light	X	X	X	X	X	X	X	X	X	X	X	X
22	112-225	Bracket	X	X	X	X	X	X	X	X	X	X	X	X
23	3000-1148	Wire Set PL3	X	X	X	X	X	X	X	X	X	X	X	X
NS	132-145	Heat Strip Cover							X	X	X	X	X	X
NS	4101-100	Wiring Diagram	X	X	X	X	X							
NS	4101-101	Wiring Diagram							X	X				
NS	4101-106	Wiring Diagram											X	X

NS = Not Shown

This Table references Exploded View on Page 12

UPPER CONTROL PANEL COMPONENTS

Drawing No.	Part No.	Description	Q24H1DA10	Q30H1DA10	Q36H1DA10	Q42H1DA10	Q48H1DA10	Q60H1DA10	Q36H1DA15	Q42H1DA15	Q48H1DA15	Q60H1DA15
1	3000-1293	Wire Set PL2	X	X	X	X	X	X	X	X	X	X
2	117-241	Control Panel	X	X	X	X	X	X	X	X	X	X
3	8201-119	Heat Pump Control	X	X	X	X	X	X	X	X	X	X
4	8607-022	Terminal Block	X	X	X	X	X	X	X	X	X	X
5	117-242	Box Partition	X	X	X	X	X	X	X	X	X	X
7	126-267	Circuit Breaker Base	X	X	X	X	X	X	X	X	X	X
8	8401-007	Contactor	X	X				X				
8	8401-016	Contactor					X	X			X	X
9	8611-006	Ground Lug	X	X	X	X	X	X	X	X	X	X
10	8615-047	Jumper Bar Base	X	X	X	X	X	X	X	X	X	X
11	8615-037	Circuit Breaker 2 Pole 30A Ckt A	X									
11	8615-055	Circuit Breaker 2 Pole 40A Ckt A		X					X	X		
11	8615-040	Circuit Breaker 2 Pole 50A Ckt A				X						
11	8615-040	Circuit Breaker 2 Pole 50A Ckt B	X	X	X		X	X	X	X	X	X
11	8615-041	Circuit Breaker 2 Pole 60A Ckt A					X					X
12	8407-048	Transformer	X	X	X	X	X	X	X	X	X	X
14	8401-006	Contactor 2 Pole 20A	X	X	X	X	X	2	2	2	2	2
15	8402-100	Limits	2	2	2				3	3		
15	8402-131	Limits					2					3
16	8601-103	Heat Strip 5 KW							X	X	X	X
16	8601-104	Heat Strip 10 KW	X	X	X	X	X	X	X	X	X	X
18	116-191	Heat Strip Wrapper	X	X	X	X	X	X	X	X	X	X
19	8201-048	Relay	X	X	X	X	X	X	X	X	X	X
21	8611-094	Indicator Light	X	X	X	X	X	X	X	X	X	X
22	112-225	Bracket	X	X	X	X	X	X	X	X	X	X
23	3000-1148	Wire Set PL3	X	X	X	X	X	X	X	X	X	X
NS	132-145	Heat Strip Cover	X	X	X	X	X	X	X	X	X	X
NS	4101-102	Wiring Diagram	X	X	X	X						
NS	4101-103	Wiring Diagram							X	X	X	

NS = Not Shown

This Table references Exploded View on Page 12

UPPER CONTROL PANEL COMPONENTS

Drawing No.	Part No.	Description	Q24H1DB0Z	Q30H1DB0Z	Q36H1DB0Z	Q42H1DB0Z	Q48H1DB0Z	Q60H1DB0Z	Q24H1DB06	Q30H1DB06	Q36H1DB06	Q42H1DB06	Q48H1DB06
1	3000-1293	Wire Set PL2	X	X	X	X	X	X	X	X	X	X	X
2	117-241	Control Panel	X	X	X	X	X	X	X	X	X	X	X
3	8201-119	Heat Pump Control	X	X	X	X	X	X	X	X	X	X	X
4	8607-022	Terminal Block	X	X	X	X	X	X	X	X	X	X	X
5	117-242	Box Partition	X	X	X	X	X	X	X	X	X	X	X
7	126-267	Circuit Breaker Base	X	X	X	X	X	X	X	X	X	X	X
8	8401-002	Contactor	X	X	X	X	X	X	X	X	X	X	X
9	8611-006	Ground Lug	X	X	X	X	X	X	X	X	X	X	X
11	8615-054	Circuit Breaker 3 Pole 20A	X										
11	8615-051	Circuit Breaker 3 Pole 25A		X									
11	8615-052	Circuit Breaker 3 Pole 30A			X								
11	8615-042	Circuit Breaker 3 Pole 35A				X			X				
11	8615-043	Circuit Breaker 3 Pole 40A								X			
11	8615-044	Circuit Breaker 3 Pole 45A						X				X	
12	8407-048	Transformer	X	X	X	X	X	X	X	X	X	X	X
14	8401-006	Contactor 2 Pole 20A							X	X	X		
15	8402-100	Limits							2	2	2		
16	8601-105	Heat Strip 6 KW							X	X	X		
18	116-191	Heat Strip Wrapper							X	X	X		
19	8201-048	Relay							X	X	X		
21	8611-094	Indicator Light	X	X	X	X	X	X	X	X	X	X	X
22	112-225	Bracket	X	X	X	X	X	X	X	X	X	X	X
23	3000-1148	Wire Set PL3	X	X	X	X	X	X	X	X	X	X	X
NS	132-145	Heat Strip Cover							X	X	X		
NS	4101-200	Wiring Diagram	X	X	X	X	X						
NS	4101-201	Wiring Diagram							X	X	X		

NS = Not Shown

This Table references Exploded View on Page 12

UPPER CONTROL PANEL COMPONENTS

Drawing No.	Part No.	Description	Q24H1DB09	Q30H1DB09	Q36H1DB09	Q42H1DB09	Q48H1DB09	Q60H1DB09	Q30H1DB12	Q36H1DB15	Q42H1DB15	Q48H1DB15	Q60H1DB15
1	3000-1293	Wire Set PL2	X	X	X	X	X	X	X	X	X	X	X
2	117-241	Control Panel	X	X	X	X	X	X	X	X	X	X	X
3	8201-119	Heat Pump Control	X	X	X	X	X	X	X	X	X	X	X
4	8607-022	Terminal Block	X	X	X	X	X	X	X	X	X	X	X
5	117-242	Box Partition	X	X	X	X	X	X	X	X	X	X	X
7	126-267	Circuit Breaker Base	X	X	X	X	X	X	X	X	X	X	X
8	8401-002	Contactors	X	X	X	X	X	X	X	X	X	X	X
9	8611-006	Ground Lug	X	X	X	X	X	X	X	X	X	X	X
11	8615-044	Circuit Breaker 3 Pole 45A	X										
11	8615-045	Circuit Breaker 3 Pole 50A		X									
11	8615-046	Circuit Breaker 3 Pole 60A			X	X	X	X	X	X	X	X	X
12	8407-048	Transformer	X	X	X	X	X	X	X	X	X	X	X
14	8401-006	Contactors 2 Pole 20A	X	X	X	X	X	X	X	2	2	X	X
15	8402-100	Limits	2	2	2				4	4			
15	8402-131	Limits					2						4
16	8601-105	Heat Strip 6 KW							2	X	X	X	X
16	8604-106	Heat Strip 9 KW	X	X	X	X	X			X	X	X	X
18	116-191	Heat Strip Wrapper	X	X	X	X	X	X	X	X	X	X	X
19	8201-048	Relay	X	X	X	X	X	X	X	X	X	X	X
21	8611-094	Indicator Light	X	X	X	X	X	X	X	X	X	X	X
22	112-225	Bracket	X	X	X	X	X	X	X	X	X	X	X
23	3000-1148	Wire Set PL3	X	X	X	X	X	X	X	X	X	X	X
NS	132-145	Heat Strip Cover	X	X	X	X	X	X	X	X	X	X	X
NS	4101-201	Wiring Diagram	X	X	X	X	X						
NS	4101-202	Wiring Diagram								X	X		
NS	4101-203	Wiring Diagram							X				

NS = Not Shown

This Table references Exploded View on Page 12

UPPER CONTROL PANEL COMPONENTS

Drawing No.	Part No.	Description	Q24H1DC0Z	Q30H1DC0Z	Q36H1DC0Z	Q42H1DC0Z	Q48H1DC0Z	Q60H1DC0Z	Q24H1DC06	Q30H1DC06	Q36H1DC06	Q42H1DC06	Q48H1DC06
1	3000-1293	Wire Set PL2	X					X			X		
2	117-241	Control Panel	X					X			X		
3	8201-119	Heat Pump Control	X					X			X		
4	8607-022	Terminal Block	X					X			X		
5	117-242	Box Partition	X					X			X		
7	126-323	Rotary Disconnect Base	X					X			X		
8	8401-002	Contactors	X					X			X		
9	8611-006	Ground Lug	X					X			X		
11	8615-068	Rotary Disconnect	X					X			X		
12	8407-050	Transformer	X					X			X		
13	8201-032	Relay OMR	X					X			X		
14	8401-002	Contactors 3 Pole 25A	X					X			X		
15	8402-100	Limits										2	
16	8604-107	Heat Strip 6 KW 480V										X	
17	8614-041	Fuse Holder	X					X			X		
18	116-191	Heat Strip Wrapper										X	
19	8201-048	Relay										X	
20	8201-085	Phase Monitor	X					X			X		
21	8611-094	Indicator Light	X					X			X		
22	112-225	Bracket	X					X			X		
23	3000-1148	Wire Set PL3	X					X			X		
NS	8407-052	Transformer Stepdown 1.0 KVA	X									X	
NS	8407-053	Transformer Stepdown 1.5 KVA	X					X			X		
NS	8407-054	Transformer Stepdown 2.0 KVA						X					
NS	8614-046	Fuses Class CC 5.0A ①	2									2	
NS	8614-047	Fuses Class CC 3.2A ②	2					2			2		
NS	8614-042	Fuses Class CC 7.0A ③						2					
NS	132-145	Heat Strip Cover	X					X			X		
NS	8615-071	Pull Disconnect Handle	X					X			X		
NS	4101-300	Wiring Diagram	X					X					
NS	4101-301	Wiring Diagram										X	

NS = Not Shown

① 5.0 Amp fuses used with 1.5 KVA transformer.

② 3.2 Amp fuses used with 1 KVA transformer.

③ 7.0 Amp fuses used with 2 KVA transformer

This Table references Exploded View on Page 12

UPPER CONTROL PANEL COMPONENTS

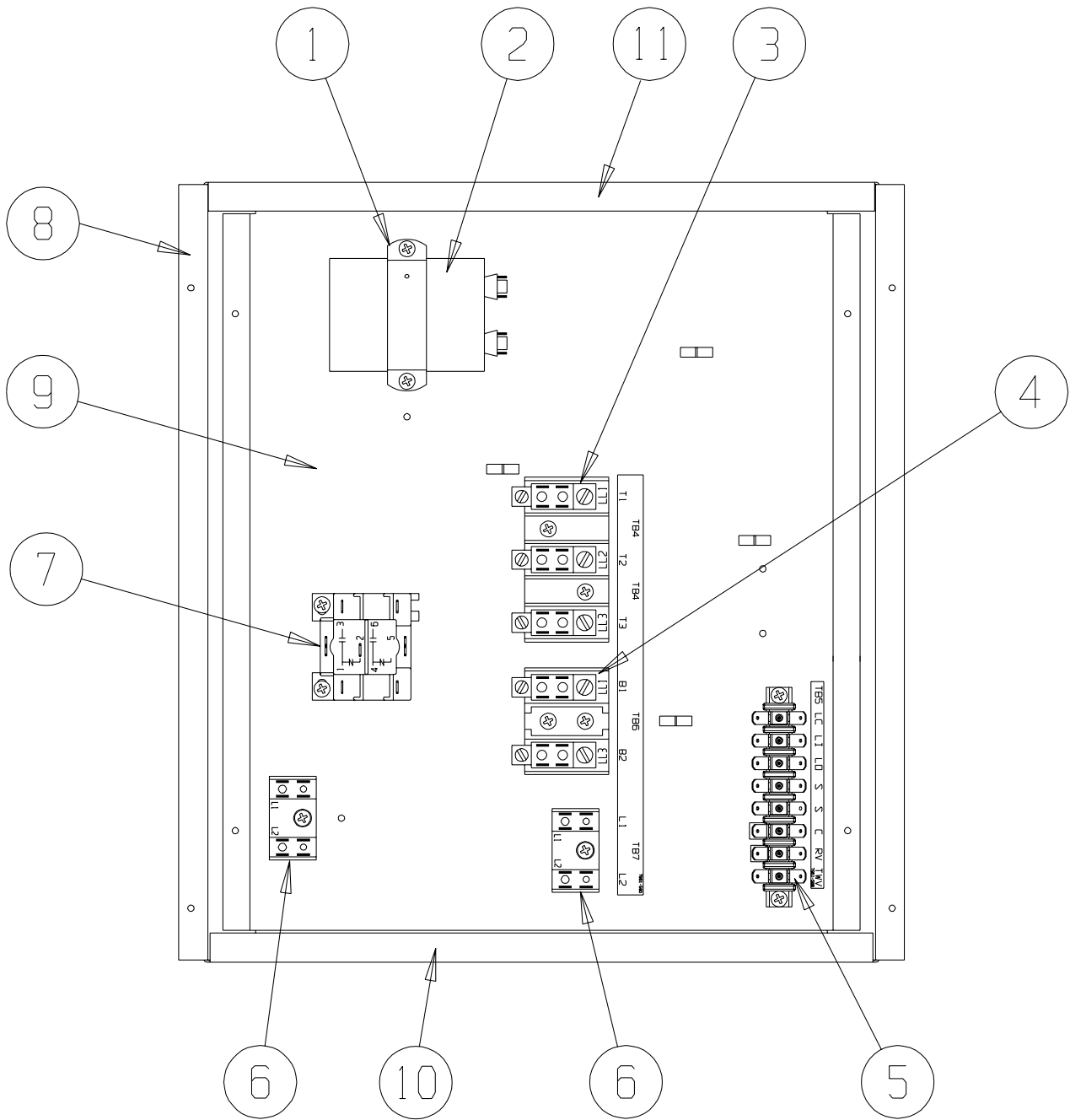
Drawing No.	Part No.	Description	Q24H1DC09	Q30H1DC09	Q36H1DC09	Q42H1DC09	Q48H1DC09	Q60H1DC09	Q30H1DC12	Q36H1DC15	Q42H1DC15	Q48H1DC15	Q60H1DC15
1	3000-1293	Wire Set PL2	X	X	X	X	X	X	X	X	X	X	X
2	117-241	Control Panel	X	X	X	X	X	X	X	X	X	X	X
3	8201-119	Heat Pump Control	X	X	X	X	X	X	X	X	X	X	X
4	8607-022	Terminal Block	X	X	X	X	X	X	X	X	X	X	X
5	117-242	Box Partition	X	X	X	X	X	X	X	X	X	X	X
7	126-323	Rotary Disconnect Base	X	X	X	X	X	X	X	X	X	X	X
8	8401-002	Contactors	X	X	X	X	X	X	X	X	X	X	X
9	8611-006	Ground Lug	X	X	X	X	X	X	X	X	X	X	X
11	8615-068	Rotary Disconnect	X	X	X	X	X	X	X	X	X	X	X
12	8407-050	Transformer	X	X	X	X	X	X	X	X	X	X	X
13	8201-032	Relay OMR	X	X	X	X	X	X	X	X	X	X	X
14	8401-002	Contactors 3 Pole 25A	X	X	X	X	X	X	X	2	X	X	X
15	8402-100	Limits	2						4	4			
15	8402-131	Limits						2					4
16	8604-107	Heat Strip 6 KW 480V							2	X	X	X	X
16	8604-108	Heat Strip 9 KW 480V	X	X	X	X	X	X	X	X	X	X	X
17	8614-041	Fuse Holder	X	X	X	X	X	X	X	X	X	X	X
18	116-191	Heat Strip Wrapper	X	X	X	X	X	X	X	X	X	X	X
19	8201-048	Relay	X	X	X	X	X	X	X	X	X	X	X
20	8201-085	Phase Monitor	X	X	X	X	X	X	X	X	X	X	X
21	8611-094	Indicator Light	X	X	X	X	X	X	X	X	X	X	X
22	112-225	Bracket	X	X	X	X	X	X	X	X	X	X	X
23	3000-1148	Wire Set PL3	X	X	X	X	X	X	X	X	X	X	X
NS	8407-052	Transformer Stepdown 1.0 KVA	X	X	X	X	X	X	X	X	X	X	X
NS	8407-053	Transformer Stepdown 1.5 KVA	X	X	X	X	X	X	X	X	X	X	X
NS	8407-054	Transformer Stepdown 2.0 KVA	X	X	X	X	X	X	X	X	X	X	X
NS	8614-046	Fuses Class CC 5.0A ①	2	2	2	2	2	2	2	2	2	2	2
NS	8614-047	Fuses Class CC 3.2A ②	2	2	2	2	2	2	2	2	2	2	2
NS	8614-042	Fuses Class CC 7.0A ③		2									2
NS	132-145	Heat Strip Cover	X	X	X	X	X	X	X	X	X	X	X
NS	8615-071	Rotary Disconnect Handle	X	X	X	X	X	X	X	X	X	X	X
NS	4101-301	Wiring Diagram	X	X									
NS	4101-302	Wiring Diagram				X	X						X
NS	4101-303	Wiring Diagram						X					

NS = Not Shown

This Table references Exploded View on Page 12

This page intentionally left blank.

LOWER CONTROL PANEL COMPONENTS

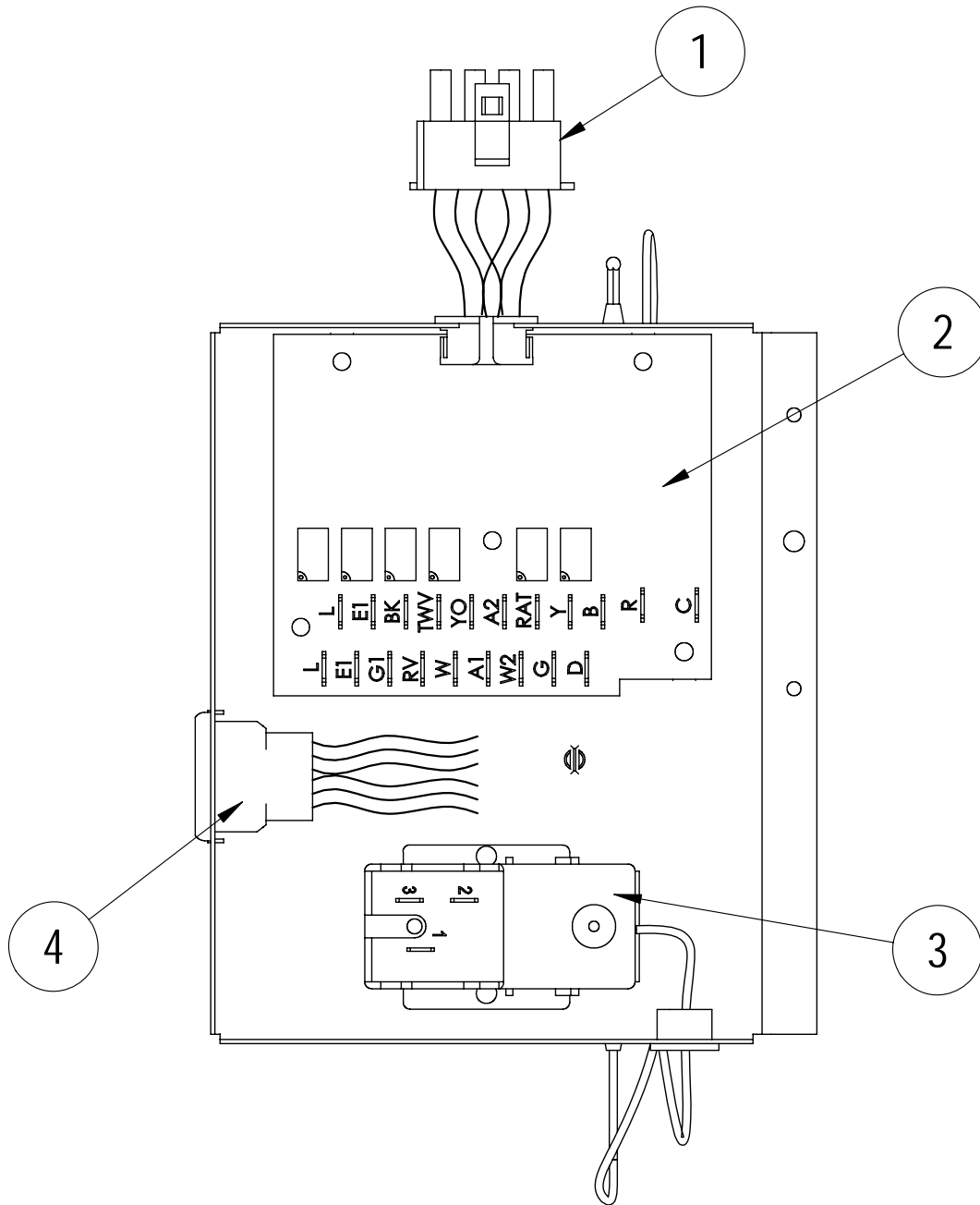


SEXP-374 A

LOWER CONTROL PANEL COMPONENTS

Drawing No.	Part No.	Description	Q24H1DA	Q30H1DA	Q36H1DA	Q42H1DA	Q48H1DA	Q60H1DA	Q24H1DB	Q30H1DB	Q36H1DB	Q42H1DB	Q48H1DB	Q60H1DB	Q24H1DC	Q30H1DC	Q36H1DC	Q42H1DC	Q48H1DC	Q60H1DC	
1	8550-008	Capacitor Strap	X	X	X	X	X	X													
1	8550-003	Capacitor Strap							X							X					
2	8552-002	Fan Capacitor							X							X					
2	8552-050	Compressor Capacitor	X																		
2	8552-052	Compressor Capacitor		X	X	X															
2	8552-061	Compressor Capacitor					X														
2	8552-088	Compressor Capacitor						X													
3	8607-014	Terminal Block 3 Terminal							X		X				X		X			X	
4	8607-013	Terminal Block 2 Terminal	X	X	X	X	X	X								X				X	
5	8607-022	Terminal Block 8 Position	X	X	X	X	X	X	X		X		X		X		X			X	
6	8607-017	Terminal Block 2 Terminal	X	X	X	X	X	X	X		X		X		X		X			X	
7	8201-032	Low Ambient Bypass Relay (Opt)	X	X	X	X	X	X	X		X		X		X		X			X	

DEHUMIDIFICATION MODULE COMPONENTS

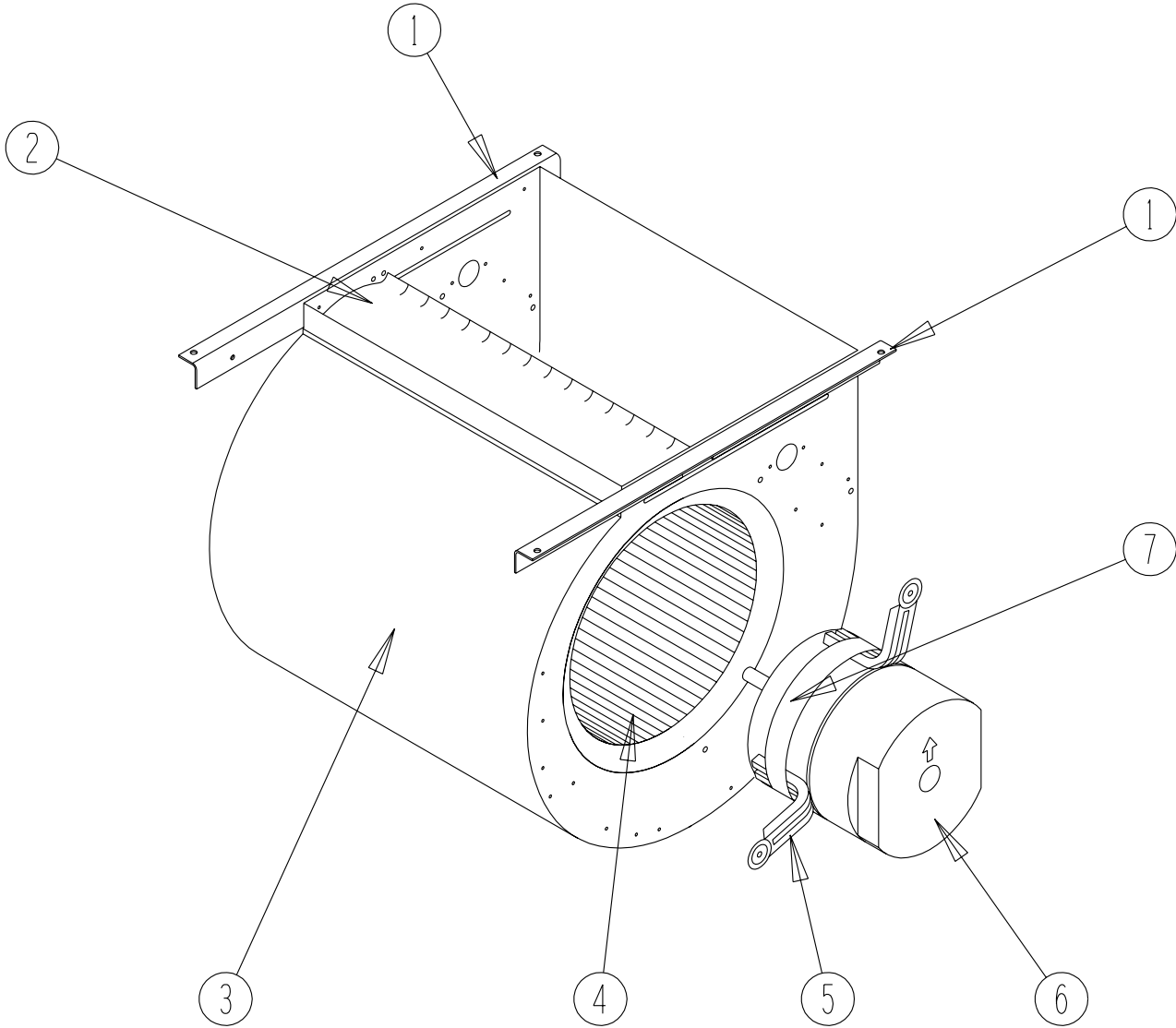


SEXP-418

DEHUMIDIFICATION MODULE COMPONENTS

Drawing No.	Part No.	Description	Options X, E, G, F
1	3000-1295	Wire Harness Male	X
2	8201-113	Logic Board	X
3	8408-037	Return Air Thermostat	X
4	3000-1296	Wire Harness Female	X

BLOWER ASSEMBLY COMPONENTS

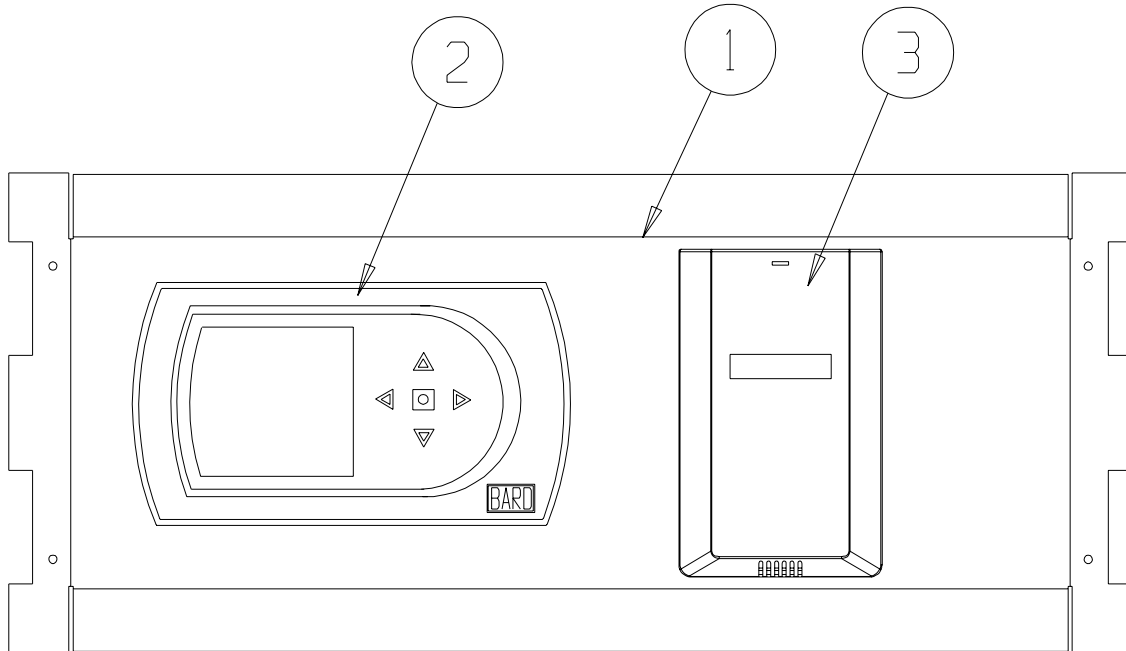


SEXP-245

BLOWER ASSEMBLY COMPONENTS

Drawing No.	Part No.	Description	900-255-001	900-225-002	900-225-004	900-225-005	900-254-001
1	104-980	Blower Angle	2	2	2	2	2
2	144-131	Diffuser	X	X	X	X	X
3	151-110	Blower Housing	X	X	X	X	X
4	5152-061	Blower Wheel	X	X	X	X	X
5	8620-034	Motor Mount Kit	1	1	1	1	1
6	S8106-035-0003B	1/2 HP ECM Motor with Programmed Control	X				
6	C8106-035-0003B	Programmed Motor Control - Only	X				
6	S8106-035-0004A	1/2 HP ECM Motor with Programmed Control		X			
6	C8106-035-0004A	Programmed Motor Control - Only		X			
6	S8106-035-0005B	1/2 HP ECM Motor with Programmed Control			X		
6	C8106-035-0005B	Programmed Motor Control - Only			X		
6	S8106-035-0013A	1/2 HP ECM Motor with Programmed Control				X	
6	C8106-035-0013A	Programmed Motor Control - Only				X	
6	S8107-009-0024B	3/4 HP ECM Motor with Programmed Control					X
6	C8107-009-0024B	Programmed Motor Control - Only					X
7	8620-034	Motor Mount	X	X	X	X	X

OPTIONAL CLIMATE CONTROLS



SEXP-0497 A

OPTIONAL CLIMATE CONTROLS

Drawing No.	Part No.	Description	Option X	Option E	Option G	Option I
1	S127-313-* ①	Thermostat Plate	X			
1	S127-308-* ①	Thermostat Plate		X	X	
1	S127-372-* ①	Thermostat Plate				X
2	8403-060	Electronic / Non-Programmable Manual / Auto Changeover		X		
2	8403-060	Electronic / Programmable Manual / Auto Changeover			X	X
3	8403-056	CO2 Sensor				X
NS	3000-1297	Wire Harness, Low Voltage, Terminal Strip to PL2	X			
NS	3000-1298	Wire Harness, Thermostat to PL2		X		
NS	3000-1299	Wire Harness, Thermostat to PL2			X	
NS	3000-1300	Wire Harness				X
NS	8607-019	Low Voltage Terminal Strip	X	X		
NS	4102-063	Wiring Diagram	X			
NS	4102-064	Wiring Diagram		X		
NS	4102-065	Wiring Diagram			X	
NS	4102-066	Wiring Diagram				X

① Exterior cabinet parts are manufactured with various color options. To insure that you receive the proper color, you must include the complete models and serial number of the unit for which parts are being ordered.

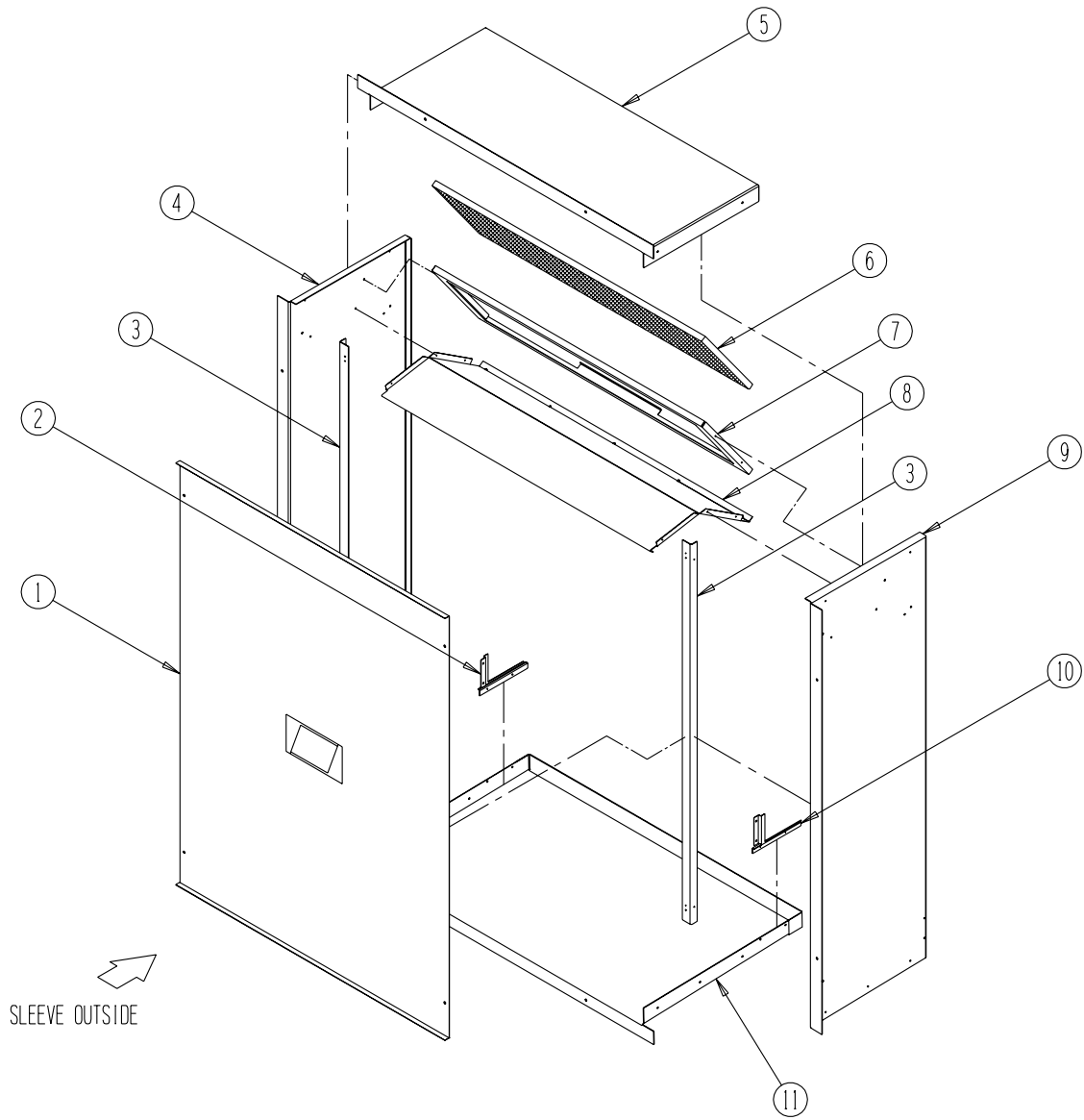
NS Not Shown

CLIMATE CONTROL OPTION NOMENCLATURE AS SHOWN IN UNIT MODEL NUMBER

Q 36 H1 D A 09 X X X X X X

- X – None
- E – Electronic, programmable, manual/auto changeover with humidistat
- G – Electronic, non-programmable, manual/auto changeover with humidistat
- I – Electronic, programmable, manual/auto changeover with CO₂ controller

WALL SLEEVE CABINET COMPONENTS



SEXP-281

WALL SLEEVE CABINET COMPONENTS

Drawing No.	Part No.	Description	QWS42	QWS42-16	QWS48	QWS48-16
1	142-056	Cover	X	X		
1	142-068	Cover			X	X
2	137-450-X	Left Side Seal Angle	X	X	X	X
3	104-988-X	Angle	2	2	2	2
4	111-081-X	Left Side	X		X	
4	111-083-X	Left Side		X		X
5	111-047-X	Top	X			
5	110-050-X	Top		X		
5	110-056-X	Top			X	
5	110-070-X	Top				X
6	7003-044	Mist Eliminator	X	X	X	X
7	131-120-X	Filter Tray	X	X		
7	131-128-X	Filter Tray			X	X
8	121-305-X	Partition	X			
8	121-309-X	Partition		X		
8	121-322-X	Partition			X	
8	121-348-X	Partition				X
9	111-080-X	Right Side	X		X	
9	111-082-X	Right Side		X		X
10	137-449-X	Right Side Seal Angle	X	X		
11	111-046-X	Base	X			
11	111-049-X	Base		X		
11	111-055-X	Base			X	
11	111-071-X	Base				X