
REPLACEMENT PARTS MANUAL

QTEC SERIES PACKAGED AIR CONDITIONER

Models:

Q24A1D Q30A1D
Q36A1D Q42A1D
Q48A1D Q60A1D

General Notes

- Revised and/or additional pages may be issued from time to time.
- A complete and current manual consists of pages shown in the following contents section.

Contents

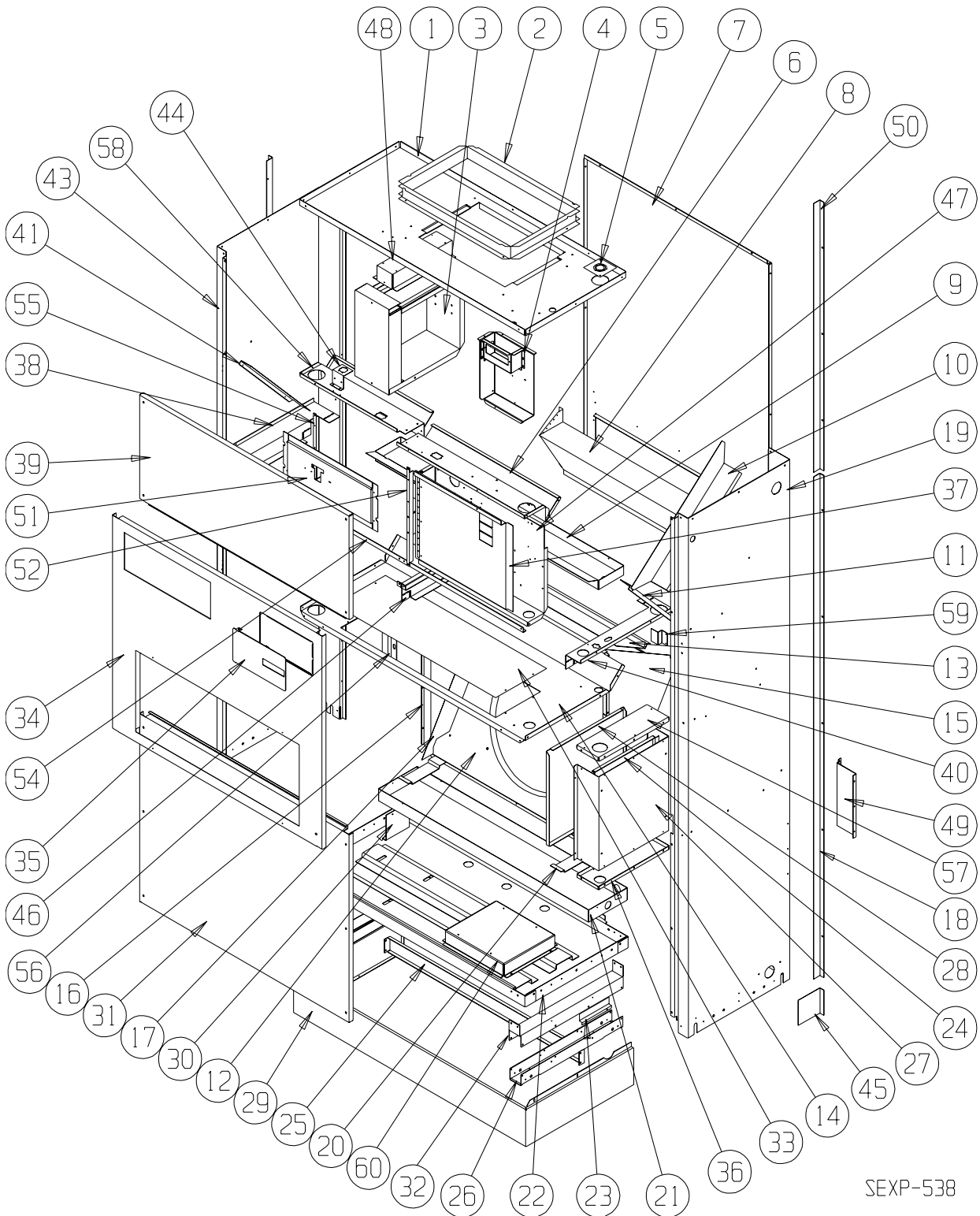
Description	Page
Cabinet Components	
♦ Exploded View	2
♦ Usage List	3
♦ Usage List	4
♦ Usage List	5
♦ Usage List	6
♦ Blank Page	7
Functional Components	
♦ Exploded View	8
♦ Usage List	9
♦ Usage List	10
♦ Usage List	11
♦ Usage List	12
Upper Control Panel Components	
♦ Exploded View	13
♦ Usage List	14
♦ Usage List	15
♦ Usage List	16
♦ Usage List	17
♦ Usage List	18
♦ Usage List	19
Lower Control Panel Components	
♦ Exploded View	20
♦ Usage List	21
Blower Assembly Components	
♦ Exploded View	22
♦ Usage List	23
Optional Climate Control Components	
♦ Exploded View	24
♦ Usage List	25
Wall Sleeve Cabinet Components	
♦ Exploded View	26
♦ Usage List	27



Bard Manufacturing Company, Inc.
Bryan, Ohio 43506
Since 1914...Moving ahead, just as planned.

Manual: 2110-577
Supersedes: **NEW**
File: Tab 14
Date: 08-20-09

CABINET COMPONENTS



SEXP-538

This Exploded View is referenced in Tables on Pages 3, 4, 5 & 6

CABINET COMPONENTS

Drawing No.	Part No.	Description	Q24A1DA, DB	Q24A1DC	Q30A1DA, DB	Q30A1DC	Q36A1DA, DB	Q36A1DC	Q42A1DA, DB	Q42A1DC
1	506-225	Top Assembly	X	X	X	X	X	X	X	X
2	110-044	Outlet Duct Flange	2	2	2	2	2	2	2	2
3	See Page 13	Heater Package Assembly (Optional)	X	X	X	X	X	X	X	X
4	117-283	Low Voltage Box Assembly (Optional)	X	X	X	X	X	X	X	X
5	136-359	T.K.O. Plate	X	X	X	X	X	X	X	X
6	534-191	Evaporator Coil Shield - Right	X	X	X	X	X	X	X	X
7	508-133	Back Assembly	X	X	X	X	X	X	X	X
8	538-106	Fresh Air Damper Assembly	X	X	X	X	X	X	X	X
9	523-104	Evaporator Drain Pan Assembly	X	X	X	X	X	X	X	X
10	134-154	Wire Channel	X	X	X	X	X	X	X	X
11	140X277	Right Evaporator Support	X	X	X	X	X	X	X	X
12	125-032	Fan Shroud Back	X	X	X	X	X	X	X	X
13	142-055	Condenser Coil Fill	X	X	X	X	X	X	X	X
14	520-376	Condenser Partition Assembly	X	X	X	X	X	X	X	X
15	124X043	Fan Shroud - Right Side	X	X	X	X	X	X	X	X
16	124Y043	Fan Shroud - Left Side	X	X	X	X	X	X	X	X
17	140-229	Condenser Coil Support	2	2	2	2	2	2	2	2
18	S135-177-* ①	Side Trim - Lower	2	2	2	2	2	2	2	2
19	500-392-* ①	Right Side Assembly	X	X	X	X	X	X	X	X
20	140-227	Subcooling Loop Hold Down	3	3	3	3	3	3	3	3
21	123-094	Condenser Drain Pan Assembly	X	X	X	X	X	X	X	X
22	527-309-X	Lower Base Assembly	X	X	X	X	X	X	X	X
23	102-415	Pile Seal Offset	2	2	2	2	2	2	2	2
24	117-240	Lower Control Panel Plate	X	X	X	X	X	X	X	X
25	135-189	Base Shield	X	X	X	X	X	X	X	X
26	140-276	Lower Roller Support	X	X	X	X	X	X	X	X
27	See Page 20	Control Panel Components	X	X	X	X	X	X	X	X
28	133-164	Control Panel Door - Lower	X	X	X	X	X	X	X	X
29	534-155-6	Base Trim Assembly	X	X	X	X	X	X	X	X
30	140-230	Drain Pan Support	X	X	X	X	X	X	X	X
<i>Continued on Page 4</i>										

① Exterior cabinet parts are manufactured with various color options. To insure that you receive the proper color, you must include the complete models and serial number of the unit for which parts are being ordered.

This Table references Exploded View on Page 2

CABINET COMPONENTS

Drawing No.	Part No.	Description	Q24A1DA, DB	Q24A1DC	Q30A1DA, DB	Q30A1DC	Q36A1DA, DB	Q36A1DC	Q42A1DA, DB	Q42A1DC
<i>Continued from Page 3</i>										
31	552-332-* ①	Condenser Door Assembly	X	X	X	X	X	X	X	X
32	140-280	Upper Roller Support	2	2	2	2	2	2	2	2
33	536-351	Condenser Blank Off Plate	X	X	X	X	X	X	X	X
34	552-330-* ①	Filter Door Assembly	X	X	X	X	X	X	X	X
35	153-336-* ①	Circuit Breaker Door	X	X	X	X	X	X	X	X
36	117-238	Lower Control Panel Bottom	X	X	X	X	X	X	X	X
37	132-173	Rotary Disconnect Door Inner		X		X		X		X
37	132-165	Circuit Breaker Door Inner	X		X		X		X	
38	113-305	Left Filter Bracket	X	X	X	X	X	X	X	X
39	552-331-* ①	Blower Door Assembly	X	X	X	X	X	X	X	X
40	113-282	Right Filter Bracket	X	X	X	X	X	X	X	X
41	140Y277	Left Evaporator Support	X	X	X	X	X	X	X	X
43	500-391-* ①	Left Side Assembly	X	X	X	X	X	X	X	X
44	113-142	Expansion Valve Mounting Plate					X	X	X	X
44	113-325	Expansion Valve Mounting Plate	X	X	X	X				
45	135-165-* ①	Base Trim Extension	2	2	2	2	2	2	2	2
46	112X283	Center Right Filter Bracket	X	X	X	X	X	X	X	X
46	112Y283	Center Left Filter Bracket	X	X	X	X	X	X	X	X
47	See Page 13	Rotary Disconnect Assembly		X		X		X		X
47	See Page 13	Circuit Breaker Box Assembly	X		X		X		X	
48	112-229	Heatstrip Bracket	X	X	X	X	X	X	X	X
49	112-234	Mounting Bracket	2	2	2	2	2	2	2	2
50	S135-178-* ①	Side Trim - Upper	2	2	2	2	2	2	2	2
51	See Page 24	Thermostat Mounting Plate	X	X	X	X	X	X	X	X
52	104-1157	Left Thermostat Support Angle	X	X	X	X	X	X	X	X
54	104-1097	Front Filter Angle	X	X	X	X	X	X	X	X
55	104-1096	Right Thermostat Support Angle	X	X	X	X	X	X	X	X
56	102-434	Sleeve Offset	X	X	X	X	X	X	X	X
57	117-237	Lower Control Panel Top	X	X	X	X	X	X	X	X
58	534-212	Evaporator Coil Shield - Left	X	X	X	X	X	X	X	X
59	103-443	Door Latch Offset	X	X	X	X	X	X	X	X
60	140-282	Transformer Support		X		X		X		X

① Exterior cabinet parts are manufactured with various color options. To insure that you receive the proper color, you must include the complete models and serial number of the unit for which parts are being ordered.

This Table references Exploded View on Page 2

CABINET COMPONENTS

Drawing No.	Part No.	Description	Q48A1DA, DB	Q60A1DA, DB
			Q48A1DC	Q60A1DC
1	506-226	Top Assembly	X	X
2	110-044	Outlet Duct Flange	2	2
3	See Page 13	Heater Package Assembly (Optional)	X	X
4	117-283	Low Voltage Box Assembly (Optional)	X	X
5	136-359	T.K.O. Plate	X	X
6	534-195	Evaporator Coil Shield - Right	X	X
7	508-149	Back Assembly	X	X
8	538-106	Fresh Air Damper Assembly	X	X
9	523-105	Evaporator Drain Pan Assembly	X	X
10	134-154	Wire Channel	X	X
11	140X277	Right Evaporator Support	X	X
12	125-046	Fan Shroud Back	X	X
13	143-066	Condenser Coil Fill	X	X
14	520-377	Condenser Partition Assembly	X	X
15	125-041	Fan Shroud - Right Side	X	X
16	125-046	Fan Shroud - Left Side	X	X
17	140-229	Condenser Coil Support	2	2
18	S135-177-* ①	Side Trim - Lower	2	2
19	500-392-* ①	Right Side Assembly	X	X
20	140-227	Subcooling Loop Hold Down	3	3
21	123-099	Condenser Drain Pan Assembly	X	X
22	527-294-X	Lower Base Assembly	X	X
23	102-415	Pile Seal Offset	2	2
24	117-240	Lower Control Panel Plate	X	X
25	135-194	Base Shield	X	X
26	140-276	Lower Roller Support	X	X
27	See Page 20	Control Panel Components	X	X
28	133-164	Control Panel Door - Lower	X	X
29	534-174-6	Base Trim Assembly	X	X
30	140-230	Drain Pan Support	X	X
<i>Continued on Page 6</i>				

① Exterior cabinet parts are manufactured with various color options. To insure that you receive the proper color, you must include the complete models and serial number of the unit for which parts are being ordered.

This Table references Exploded View on Page 2

CABINET COMPONENTS

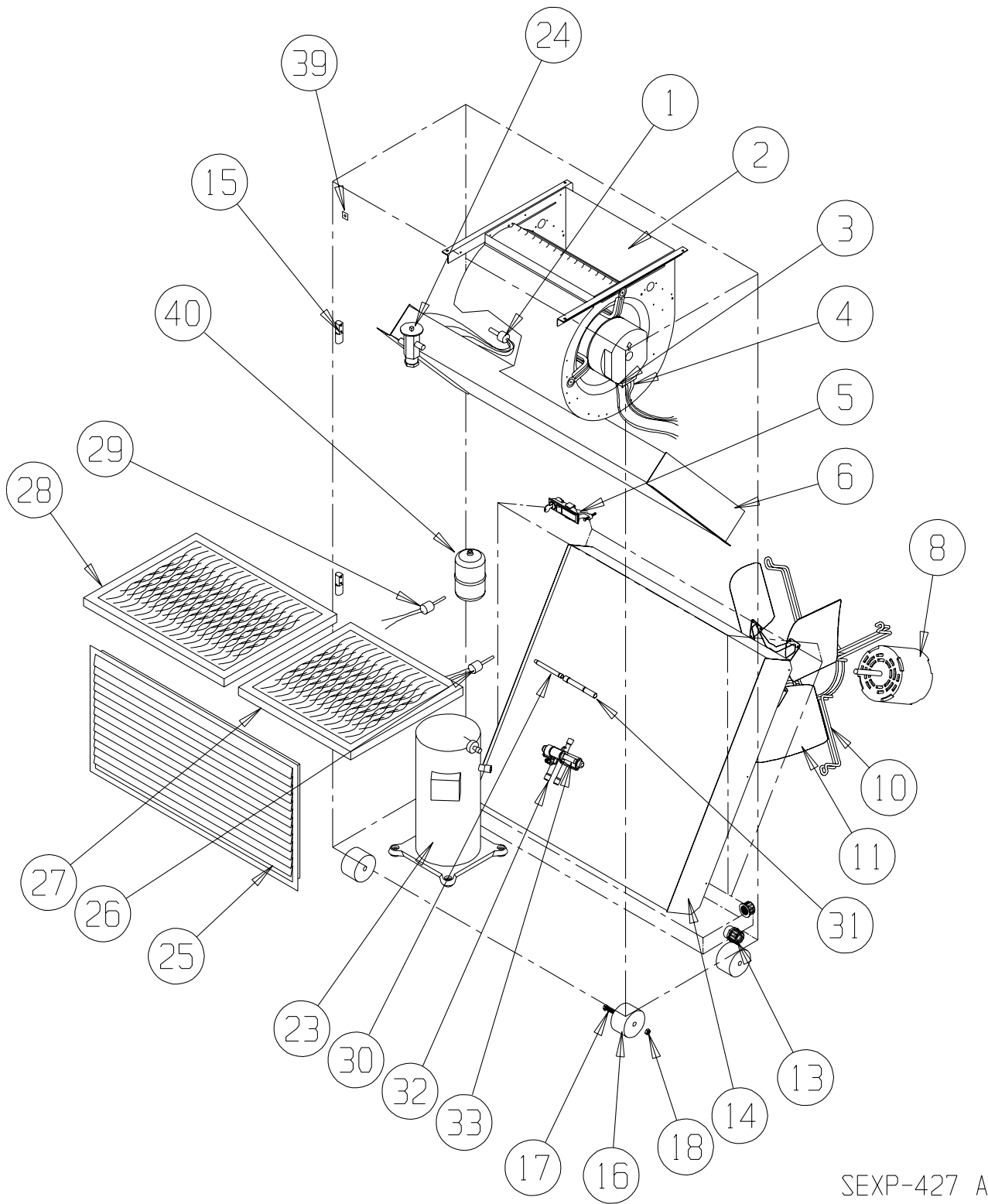
Drawing No.	Part No.	Description	Q48A1DA, DB Q60A1DA, DB	Q48A1DC Q60A1DC
<i>Continued from Page 5</i>				
31	552-334-* ①	Condenser Door Assembly	X	X
32	140-280	Upper Roller Support	2	2
33	536-351	Condenser Blank Off Plate	X	X
34	552-335-* ①	Filter Door Assembly	X	X
35	153-336-* ①	Circuit Breaker Door	X	X
36	117-238	Lower Control Panel Bottom	X	X
37	132-173	Rotary Disconnect Door Inner		X
37	132-165	Circuit Breaker Door Inner	X	
38	113-305	Left Filter Bracket	X	X
39	552-333-* ①	Blower Door Assembly	X	X
40	113-286	Right Filter Bracket	X	X
41	140Y277	Left Evaporator Support	X	X
43	500-393-* ①	Left Side Assembly	X	X
44	113-142	Expansion Valve Mounting Plate	X	X
45	134-165-* ①	Base Trim Extension	2	2
46	112X283	Center Right Filter Bracket	X	X
46	112Y283	Center Left Filter Bracket	X	X
47	See Page 13	Rotary Disconnect Assembly		X
47	See Page 13	Circuit Breaker Box Assembly	X	
48	112-229	Heatstrip Bracket	X	X
49	112-234	Mounting Bracket	2	2
50	S135-178-* ①	Side Trim - Upper	2	2
51	See Page 24	Thermostat Mounting Plate	X	X
52	104-1157	Left Thermostat Support Angle	X	X
54	104-1101	Front Filter Angle	X	X
55	104-1096	Right Thermostat Support Angle	X	X
56	102-434	Sleeve Offset	X	X
57	117-237	Lower Control Panel Top	X	X
58	534-212	Evaporator Coil Shield - Left	X	X
59	103-443	Door Latch Offset	X	X
60	140-282	Transformer Support		X

① Exterior cabinet parts are manufactured with various color options. To insure that you receive the proper color, you must include the complete models and serial number of the unit for which parts are being ordered.

This Table references Exploded View on Page 2

This page has been left blank intentionally.

FUNCTIONAL COMPONENTS



SEXP-427 A

This Exploded View is referenced in Tables on pages 9, 10, 11 & 12

FUNCTIONAL COMPONENTS

Drawing No.	Part No.	Description	Q24A1DA	Q24A1DB	Q24A1DC	Q30A1DA	Q30A1DB	Q30A1DC	Q36A1DA	Q36A1DB	Q36A1DC	Q42A1DA	Q42A1DB	Q42A1DC
1	5625-007	Distributor	X	X	X	X	X	X						
1	5625-008	Distributor							X	X	X	X	X	X
2	S900-225-001	Blower Assembly	X	X	X									
2	S900-225-002	Blower Assembly				X	X	X						
2	S900-225-004	Blower Assembly							X	X	X	X	X	X
3	3000-1145	Wire Harness High Voltage			X			X			X			X
3	3000-1046	Wire Harness High Voltage	X	X		X	X		X	X		X	X	
4	3000-1312	Wire Harness Low Voltage	X	X	X	X	X	X	X	X	X	X	X	X
5	1171-049	Keypad/Circuit Breaker Door	X	X	X	X	X	X	X	X	X	X	X	X
6	917-0086BX	Evaporator Coil Assembly	X	X	X	X	X	X						
6	917-0088BX	Evaporator Coil Assembly							X	X	X	X	X	X
8	8103-038	Motor			X			X						
8	8103-037	Motor	X	X		X	X							
8	8105-051	Motor							X	X		X	X	
8	8105-052	Motor									X			X
10	8200-001	Motor Mount	X	X	X	X	X	X	X	X	X	X	X	X
11	5151-050	Fan Blade	X	X	X	X	X	X						
11	5151-055	Fan Blade							X	X	X	X	X	X
13	6094-003	Drain Fitting	1	1	1	1	1	1	1	1	1	1	1	1
14	5051-125BX	Condenser Coil	X	X	X									
14	5051-126BX	Condenser Coil				X	X	X	X	X	X			
14	5051-127BX	Condenser Coil										X	X	X
15	5400-005	Hinge	2	2	2	2	2	2	2	2	2	2	2	2
16	1171-035	Wheel	4	4	4	4	4	4	4	4	4	4	4	4
17	1012-129	Bolt - Shoulder	4	4	4	4	4	4	4	4	4	4	4	4
18	1012-224	Nut - Locking	4	4	4	4	4	4	4	4	4	4	4	4
23	8000-314	Compressor	X											
23	8000-315	Compressor		X										
23	8000-316	Compressor			X									
23	8000-298	Compressor				X								
23	8000-299	Compressor					X							
23	8000-300	Compressor						X						
23	8000-278	Compressor							X					
23	8000-279	Compressor								X				
23	8000-280	Compressor									X			
23	8000-318	Compressor										X		
23	8000-319	Compressor											X	
23	8000-320	Compressor												X
24	5651-185	TXV	X	X	X									
24	5651-175	TXV				X	X	X						
24	5651-177	TXV							X	X	X			
24	5651-176	TXV										X	X	X
25	7051-034	Return Air Grille	X	X	X	X	X	X	X	X	X	X	X	X
26	1804-0385	High Pressure Control	X	X	X	X	X	X	X	X	X	X	X	X
27	7004-009	Air Filter	X	X	X	X	X	X	X	X	X	X	X	X
27	7004-032	Filter 2" Fiberglass (Optional)	X	X	X	X	X	X	X	X	X	X	X	X
27	7004-034	Filter 2" Pleated (Optional)	X	X	X	X	X	X	X	X	X	X	X	X

Continued on Page 10

This Table references Exploded View on Page 8

FUNCTIONAL COMPONENTS

Drawing No.	Part No.	Description	Q24A1DA	Q24A1DB	Q24A1DC	Q30A1DA	Q30A1DB	Q30A1DC	Q36A1DA	Q36A1DB	Q36A1DC	Q42A1DA	Q42A1DB	Q42A1DC
<i>Continued from Page 9</i>														
28	7004-010	Air Filter	X	X	X	X	X	X	X	X	X	X	X	X
28	7004-033	Filter 2" Fiberglass (Optional)	X	X	X	X	X	X	X	X	X	X	X	X
28	7004-035	Filter 2" Pleated (Optional)	X	X	X	X	X	X	X	X	X	X	X	X
29	1804-0386	Low Pressure Control	X	X	X	X	X	X	X	X	X	X	X	X
30	5625-043	Flow Control	X	X	X	X	X	X	X	X	X	X	X	X
31	5651-146	Check Valve	X	X	X	X	X	X	X	X	X	X	X	X
32	5650-045	3 Way Valve	X	X	X	X	X	X	X	X	X	X	X	X
33	5650-042	24V Solenoid, Red Casing (Ranco)	X	X	X	X	X	X	X	X	X	X	X	X
33	5650-043	24V Solenoid, Black Casing (Wilspec)	X	X	X	X	X	X	X	X	X	X	X	X
33	5650-046	24V Solenoid, Black Casing (San Hua)	X	X	X	X	X	X	X	X	X	X	X	X
39	1012-315	"U" Clip Fastener	10	10	10	10	10	10	10	10	10	10	10	10
40	5201-001	Filter Drier	X	X	X	X	X	X	X	X	X	X	X	X
40	5201-002	Filter Drier	X	X	X	X	X	X	X	X	X	X	X	X
NS	CMA-28	Low Ambient Control	X	X	X	X	X	X	X	X	X	X	X	X
NS	4107-103	Wiring Diagram	X			X			X			X		
NS	4107-203	Wiring Diagram		X			X			X			X	
NS	4107-303	Wiring Diagram			X			X			X			X

These Tables reference Exploded View on Page 8

FUNCTIONAL COMPONENTS

Drawing No.	Part No.	Description	Q48A1DA	Q48A1DB	Q48A1DC	Q60A1DA	Q60A1DB	Q60A1DC
1	5625-010	Distributor	X	X	X	X	X	X
2	S900-225-005	Blower Assembly	X	X	X			
2	S900-254-001	Blower Assembly				X	X	X
3	3000-1145	Wire Harness High Voltage			X			X
3	3000-1046	Wire Harness High Voltage	X	X		X	X	
4	3000-1312	Wire Harness Low Voltage	X	X	X	X	X	X
5	1171-049	Keylatch/Circuit Breaker Door	X	X	X	X	X	X
6	917-0089BX	Evaporator Coil Assembly	X	X	X			
6	917-0090BX	Evaporator Coil Assembly				X	X	X
8	8105-052	Motor			X			X
8	8105-051	Motor	X	X		X	X	
10	8200-001	Motor Mount	X	X	X	X	X	X
11	5151-055	Fan Blade	X	X	X	X	X	X
13	6094-003	Drain Fitting	1	1	1	1	1	1
14	5051-128BX	Condenser Coil	X	X	X	X	X	X
15	5400-005	Hinge	2	2	2	2	2	2
16	1171-035	Wheel	4	4	4	4	4	4
17	1012-129	Bolt - Shoulder	4	4	4	4	4	4
18	1012-224	Nut - Locking	4	4	4	4	4	4
23	8000-343	Compressor	X					
23	8000-344	Compressor		X				
23	8000-345	Compressor			X			
23	8000-324	Compressor				X		
23	8000-325	Compressor					X	
23	8000-326	Compressor						X
24	5651-182	TXV	X	X	X	X	X	X
25	7051-039	Return Air Grille	X	X	X	X	X	X
26	1804-0385	High Pressure Control	X	X	X	X	X	X
27	7004-009	Air Filter	X	X	X	X	X	X
27	7004-032	Filter 2" Fiberglass (Optional)	X	X	X	X	X	X
27	7004-034	Filter 2" Pleated (Optional)	X	X	X	X	X	X
28	7004-011	Air Filter	X	X	X	X	X	X
28	7004-025	Filter 2" Pleated (Optional)	X	X	X	X	X	X
28	7004-036	Filter 2" Fiberglass (Optional)	X	X	X	X	X	X
29	1804-0386	Low Pressure Control	X	X	X	X	X	X

Continued on Page 12

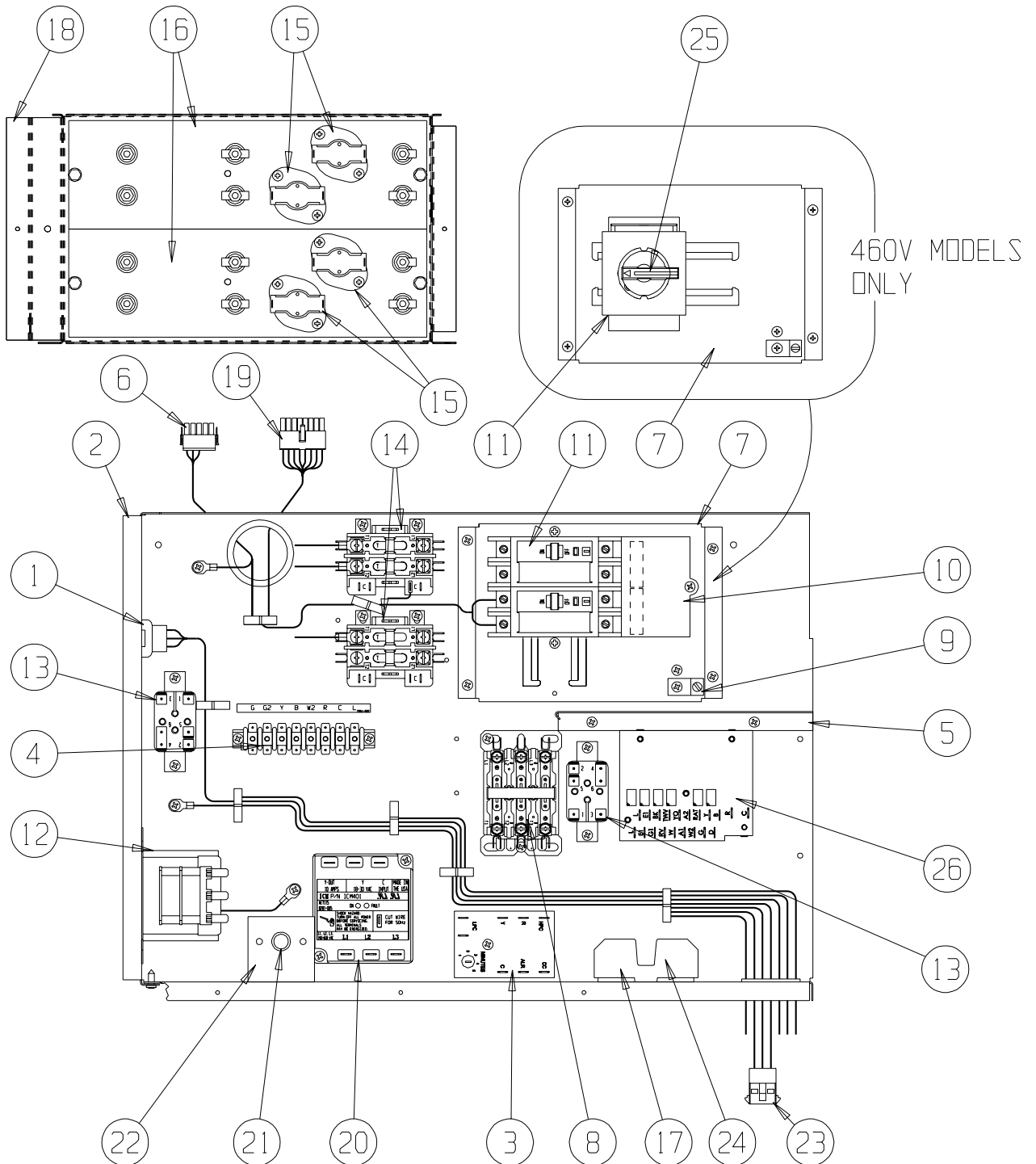
These Tables reference Exploded View on Page 8

FUNCTIONAL COMPONENTS

Drawing No.	Part No.	Description	Q48A1DA	Q48A1DB	Q48A1DC	Q60A1DA	Q60A1DB	Q60A1DC
<i>Continued from Page 11</i>								
30	5625-043	Flow Control	X	X	X	X	X	X
31	5651-146	Check Valve	X	X	X	X	X	X
32	5650-045	3 Way Valve	X	X	X	X	X	X
33	5650-042	24V Solenoid, Red Casing (Ranco)	X	X	X	X	X	X
33	5650-043	24V Solenoid, Black Casing (Wilspec)	X	X	X	X	X	X
33	5650-046	24V Solenoid, Black Casing (San Hua)	X	X	X	X	X	X
39	1012-315	"U" Clip Fastener	10	10	10	10	10	10
NS	CMA-28	Low Ambient Control	X	X	X	X	X	X
NS	4107-103	Wiring Diagram	X			X		
NS	4107-203	Wiring Diagram		X			X	
NS	4107-303	Wiring Diagram			X			X

These Tables reference Exploded View on Page 8

UPPER CONTROL PANEL COMPONENTS



SEXP-428 A

This Exploded View is referenced in Tables on pages 14,15,16,17,18, & 19

UPPER CONTROL PANEL COMPONENTS

Drawing No.	Part No.	Description	Q24A1DA0Z	Q30A1DA0Z	Q42A1DA0Z	Q48A1DA0Z	Q60A1DA0Z	Q24A1DA05	Q30A1DA05	Q42A1DA05	Q48A1DA05	Q24A1DA10	Q30A1DA10	Q42A1DA10	Q48A1DA10	Q60A1DA10	Q36A1DA15	Q42A1DA15	Q48A1DA15	Q60A1DA15
1	3000-1313	Wire Set P2	X	X	X	X	X	X	X	X	X	X	X	X	X	X	X	X	X	X
2	117-241	Control Panel	X	X	X	X	X	X	X	X	X	X	X	X	X	X	X	X	X	X
3	8201-088	Compressor Control Module	X	X	X	X	X	X	X	X	X	X	X	X	X	X	X	X	X	X
4	8607-022	Terminal Block	X	X	X	X	X	X	X	X	X	X	X	X	X	X	X	X	X	X
5	117-242	Box Partition	X	X	X	X	X	X	X	X	X	X	X	X	X	X	X	X	X	X
6	3000-1046	Wire Set Motor HV	X	X	X	X	X	X	X	X	X	X	X	X	X	X	X	X	X	X
7	126-267	Circuit Breaker Base	X	X	X	X	X	X	X	X	X	X	X	X	X	X	X	X	X	X
8	8401-007	Contact	X	X	X	X	X	X	X	X	X	X	X	X	X	X	X	X	X	X
8	8401-016	Contact	X	X	X	X	X	X	X	X	X	X	X	X	X	X	X	X	X	X
9	8611-006	Ground Lug	X	X	X	X	X	X	X	X	X	X	X	X	X	X	X	X	X	X
10	8615-047	Jumper Bar Base																		
11	8615-039	Circuit Breaker 2 Pole 25A Ckt B	X																	
11	8615-037	Circuit Breaker 2 Pole 30A Ckt A		X																
11	8615-038	Circuit Breaker 2 Pole 35A Ckt A																		
11	8615-055	Circuit Breaker 2 Pole 40A Ckt A																		
11	8615-039	Circuit Breaker 2 Pole 45A Ckt A																		
11	8615-040	Circuit Breaker 2 Pole 50A Ckt A			X															
11	8615-041	Circuit Breaker 2 Pole 60A Ckt A																		
12	8407-035	Transformer	X	X	X	X	X	X	X	X	X	X	X	X	X	X	X	X	X	X
13	8201-062	Relay	X	X	X	X	X	X	X	X	X	X	X	X	X	X	X	X	X	X

Continued on Page 15

This Table references Exploded View on Page 13

UPPER CONTROL PANEL COMPONENTS

Drawing No.	Part No.	Description	Q24A1DA0Z	Q30A1DA0Z	Q42A1DA0Z	Q60A1DA0Z	Q24A1DA05	Q30A1DA05	Q42A1DA05	Q24A1DA10	Q30A1DA10	Q36A1DA10	Q42A1DA10	Q48A1DA10	Q60A1DA10	Q36A1DA15	Q42A1DA15	Q48A1DA15	Q60A1DA15	
14	8401-006	Contactors 2 Pole 20A						X	X	X		X			X					2
15	8402-100	Limits						X	X		2									2
15	8402-131	Limits						X	X						2					3
16	8604-103	Heat Strip 5KW						X	X		X				X					X
16	8604-104	Heat Strip 10KW						X	X		X				X					X
18	116-191	Heat Strip Wrapper	X	X	X	X	X	X	X	X	X	X	X	X	X	X	X	X	X	X
19	3000-1206	Wire Harness Motor LV	X	X	X	X	X	X	X	X	X	X	X	X	X	X	X	X	X	X
21	8611-094	Indicator Light	X	X	X	X	X	X	X	X	X	X	X	X	X	X	X	X	X	X
22	112-225	Bracket	X	X	X	X	X	X	X	X	X	X	X	X	X	X	X	X	X	X
23	3000-1314	Wire Set	X	X	X	X	X	X	X	X	X	X	X	X	X	X	X	X	X	X
26	8201-113	Relay Logic Board	X	X	X	X	X	X	X	X	X	X	X	X	X	X	X	X	X	X
NS	132-145	Heat Strip Cover						X	X						X					X
NS	4108-104	Wiring Diagram	X	X	X	X	X													
NS	4108-105	Wiring Diagram						X	X											
NS	4108-106	Wiring Diagram									X				X					
NS	4108-107	Wiring Diagram																		X

Continued from Page 14

NS = Not Shown

This Table references Exploded View on Page 13

UPPER CONTROL PANEL COMPONENTS

Drawing No.	Part No.	Description	Q24A1DB02	Q30A1DB02	Q42A1DB02	Q48A1DB02	G60A1DB02	Q24A1DB06	Q30A1DB06	Q36A1DB06	Q42A1DB06	Q48A1DB06	Q24A1DB09	Q30A1DB09	Q36A1DB09	Q42A1DB09	Q48A1DB09	G60A1DB09	Q30A1DB12	Q36A1DB15	Q42A1DB15	Q48A1DB15	G60A1DB15
1	3000-1313	Wire Set P2	X	X	X	X	X	X	X	X	X	X	X	X	X	X	X	X	X	X	X	X	X
2	117-241	Control Panel	X	X	X	X	X	X	X	X	X	X	X	X	X	X	X	X	X	X	X	X	X
3	8201-088	Compressor Control Module	X	X	X	X	X	X	X	X	X	X	X	X	X	X	X	X	X	X	X	X	X
4	8607-022	Terminal Block	X	X	X	X	X	X	X	X	X	X	X	X	X	X	X	X	X	X	X	X	X
5	117-242	Box Partition	X	X	X	X	X	X	X	X	X	X	X	X	X	X	X	X	X	X	X	X	X
6	3000-1046	Wire Set Motor HV	X	X	X	X	X	X	X	X	X	X	X	X	X	X	X	X	X	X	X	X	X
7	126-267	Circuit Breaker Base	X	X	X	X	X	X	X	X	X	X	X	X	X	X	X	X	X	X	X	X	X
8	8401-002	Contact	X	X	X	X	X	X	X	X	X	X	X	X	X	X	X	X	X	X	X	X	X
9	8611-006	Ground Lug	X	X	X	X	X	X	X	X	X	X	X	X	X	X	X	X	X	X	X	X	X
11	8615-054	Circuit Breaker 3 Pole 20A	X	X	X	X	X	X	X	X	X	X	X	X	X	X	X	X	X	X	X	X	X
11	8615-051	Circuit Breaker 3 Pole 25A																					
11	8615-052	Circuit Breaker 3 Pole 30A																					
11	8615-042	Circuit Breaker 3 Pole 35A																					
11	8615-044	Circuit Breaker 3 Pole 45A																					
11	8615-046	Circuit Breaker 3 Pole 60A																					
12	8407-035	Transformer	X	X	X	X	X	X	X	X	X	X	X	X	X	X	X	X	X	X	X	X	X
14	8401-006	Contact 2 Pole 20A																					
13	8201-062	Relay	X	X	X	X	X	X	X	X	X	X	X	X	X	X	X	X	X	X	X	X	X

Continued on Page 17

This Table references Exploded View on Page 13

UPPER CONTROL PANEL COMPONENTS

Drawing No.	Part No.	Description	Q24A1DB0Z	Q30A1DB0Z	Q48A1DB0Z	Q60A1DB0Z	Q24A1DB06	Q30A1DB06	Q36A1DB06	Q42A1DB06	Q60A1DB09	Q30A1DB12	Q36A1DB15	Q42A1DB15	Q48A1DB15	Q60A1DB15
15	8402-100	Limits														
15	8402-131	Limits														
16	8604-105	Heat Strip 6KW														
16	8604-106	Heat Strip 9KW														
18	161-191	Heat Strip Wrapper	X	X	X	X	X	X	X	X	X	X	X	X	X	X
19	3000-1205	Wire Harness Motor LV	X	X	X	X	X	X	X	X	X	X	X	X	X	X
20	8201-085	Phase Monitor	X	X	X	X	X	X	X	X	X	X	X	X	X	X
21	8611-094	Indicator Light	X	X	X	X	X	X	X	X	X	X	X	X	X	X
22	112-225	Bracket	X	X	X	X	X	X	X	X	X	X	X	X	X	X
23	3000-1314	Wire Set PL3	X	X	X	X	X	X	X	X	X	X	X	X	X	X
26	8201-113	Relay Logic Board	X	X	X	X	X	X	X	X	X	X	X	X	X	X
NS	132-145	Heat Strip Cover														
NS	4108-204	Wiring Diagram	X	X	X	X										
NS	4108-205	Wiring Diagram														
NS	4108-206	Wiring Diagram														

Continued from Page 16

NS = Not Shown

This Table references Exploded View on Page 13

UPPER CONTROL PANEL COMPONENTS

Drawing No.	Part No.	Description	Q24A1DC02	Q30A1DC02	Q36A1DC02	Q42A1DC02	Q48A1DC02	Q60A1DC02	Q24A1DC06	Q30A1DC06	Q36A1DC06	Q42A1DC06	Q48A1DC06	Q24A1DC09	Q30A1DC09	Q36A1DC09	Q42A1DC09	Q48A1DC09	Q30A1DC09	Q36A1DC12	Q42A1DC15	Q48A1DC15	Q60A1DC15
1	3000-1313	Wire Set P2	X	X	X	X	X	X	X	X	X	X	X	X	X	X	X	X	X	X	X	X	X
2	117-241	Control Panel	X	X	X	X	X	X	X	X	X	X	X	X	X	X	X	X	X	X	X	X	X
3	8201-088	Compressor Control Module	X	X	X	X	X	X	X	X	X	X	X	X	X	X	X	X	X	X	X	X	X
4	8607-022	Terminal Block	X	X	X	X	X	X	X	X	X	X	X	X	X	X	X	X	X	X	X	X	X
5	117-242	Box Partition	X	X	X	X	X	X	X	X	X	X	X	X	X	X	X	X	X	X	X	X	X
6	3000-1145	Wire Harness Motor HV	X	X	X	X	X	X	X	X	X	X	X	X	X	X	X	X	X	X	X	X	X
7	126-323	Circuit Breaker Base	X	X	X	X	X	X	X	X	X	X	X	X	X	X	X	X	X	X	X	X	X
8	8401-002	Contact	X	X	X	X	X	X	X	X	X	X	X	X	X	X	X	X	X	X	X	X	X
9	8611-006	Ground Lug	X	X	X	X	X	X	X	X	X	X	X	X	X	X	X	X	X	X	X	X	X
11	8615-068	Rotary Disconnect	X	X	X	X	X	X	X	X	X	X	X	X	X	X	X	X	X	X	X	X	X
12	8407-042	Transformer	X	X	X	X	X	X	X	X	X	X	X	X	X	X	X	X	X	X	X	X	X
13	8201-062	Relay	X	X	X	X	X	X	X	X	X	X	X	X	X	X	X	X	X	X	X	X	X
14	8401-002	Contact 3 Pole	X	X	X	X	X	X	X	X	X	X	X	X	X	X	X	X	X	X	X	X	X
15	8402-100	Limits							2	2	2	2	2	2	2	2	2	2	2	2	2	2	2
15	8402-131	Limits																					
16	8604-107	Heat Strip 6KW 480V																					
16	8604-108	Heat Strip 9KW 480V																					
17	8614-041	Fuse Holder	X	X	X	X	X	X	X	X	X	X	X	X	X	X	X	X	X	X	X	X	X
18	116-191	Heat Strip Wrapper	X	X	X	X	X	X	X	X	X	X	X	X	X	X	X	X	X	X	X	X	X

Continued on Page 19

This Table references Exploded View on Page 13

UPPER CONTROL PANEL COMPONENTS

Drawing No.	Part No.	Description	Q24A1DC0Z	Q30A1DC0Z	Q36A1DC0Z	Q42A1DC0Z	Q48A1DC0Z	Q60A1DC0Z	Q24A1DC06	Q30A1DC06	Q36A1DC06	Q42A1DC06	Q48A1DC06	Q24A1DC09	Q30A1DC09	Q36A1DC09	Q42A1DC09	Q48A1DC09	Q60A1DC09	Q30A1DC12	Q36A1DC15	Q42A1DC15	Q48A1DC15	Q60A1DC15
19	3000-1206	Wire Harness Motor LV		X		X		X			X					X				X				X
20	8201-085	Phase Monitor	X			X		X	X					X						X				X
21	8611-094	Indicator Light	X			X		X	X					X						X				X
22	112-225	Bracket	X			X		X	X					X						X				X
23	3000-1314	Wire Set PL3	X			X		X	X					X						X				X
24	8614-042	Fuses Class CC 7A ①				X		X											X					X
24	8614-046	Fuses Class CC 5A ②				X		X											X					X
24	8614-017	Fuses Class CC 3.2A ③	X			X		X	X										X					X
25	8615-071	Disconnect Handle	X			X		X	X					X					X					X
26	8201-113	Relay Logic Board	X			X		X	X					X					X					X
NS	8407-058	Transformer Stepdown 1.0 KVA	X			X		X	X					X					X					X
NS	8407-003	Transformer Stepdown 1.5 KVA				X		X	X										X					X
NS	8407-004	Transformer Stepdown 2.0 KVA				X		X	X										X					X
NS	132-145	Heat Strip Cover												X					X					X
NS	4108-304	Wiring Diagram	X			X		X																
NS	4108-305	Wiring Diagram							X										X					
NS	4108-306	Wiring Diagram																						X

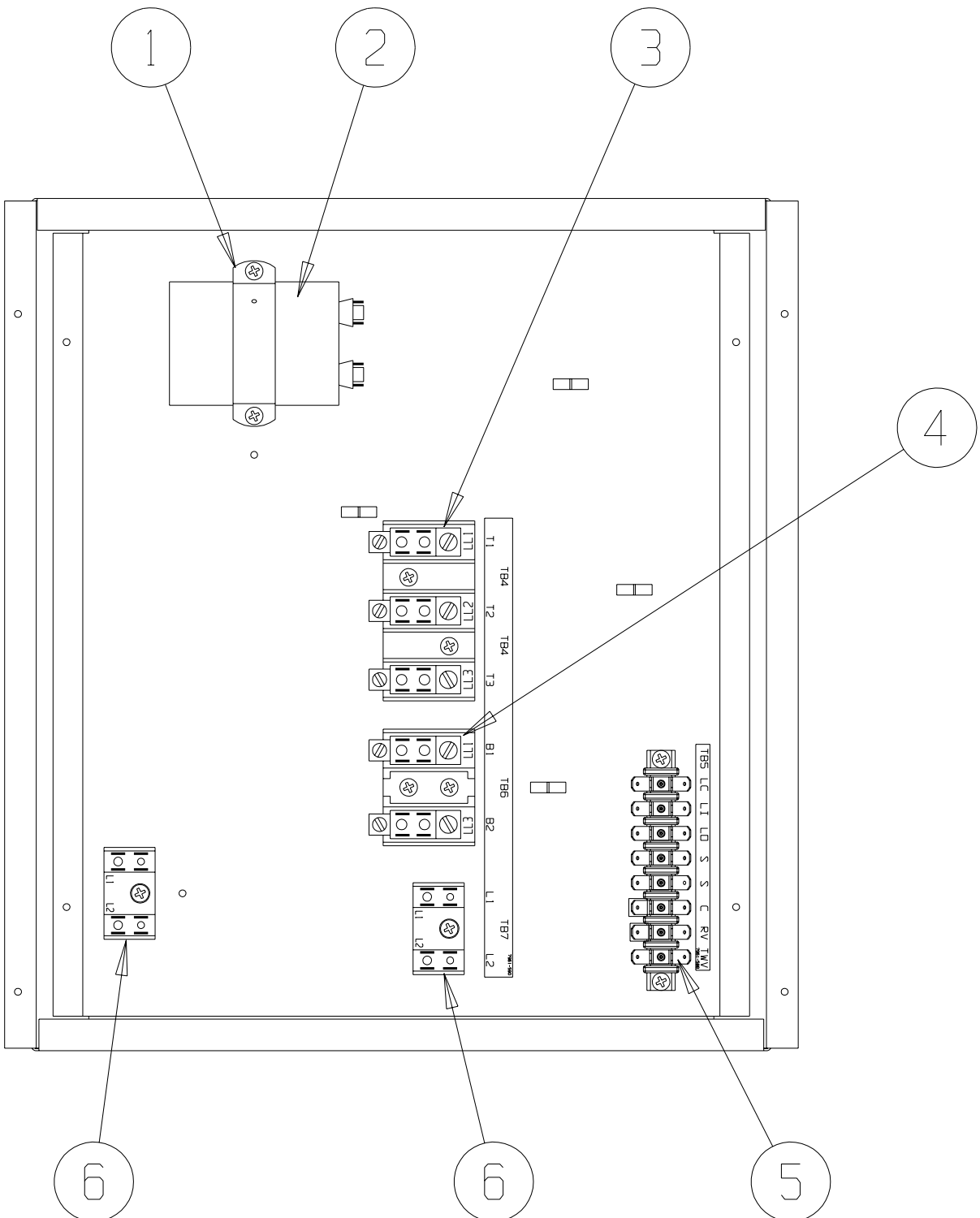
Continued from Page 18

- ① 7 Amp fuses used with 2.0 KVA transformer.
- ② 5 Amp fuses used with 1.5 KVA transformer.
- ③ 3.2 Amp fuses used with 1KVA transformer.

NS = Not Shown

This Table references Exploded View on Page 13

LOWER CONTROL PANEL COMPONENTS



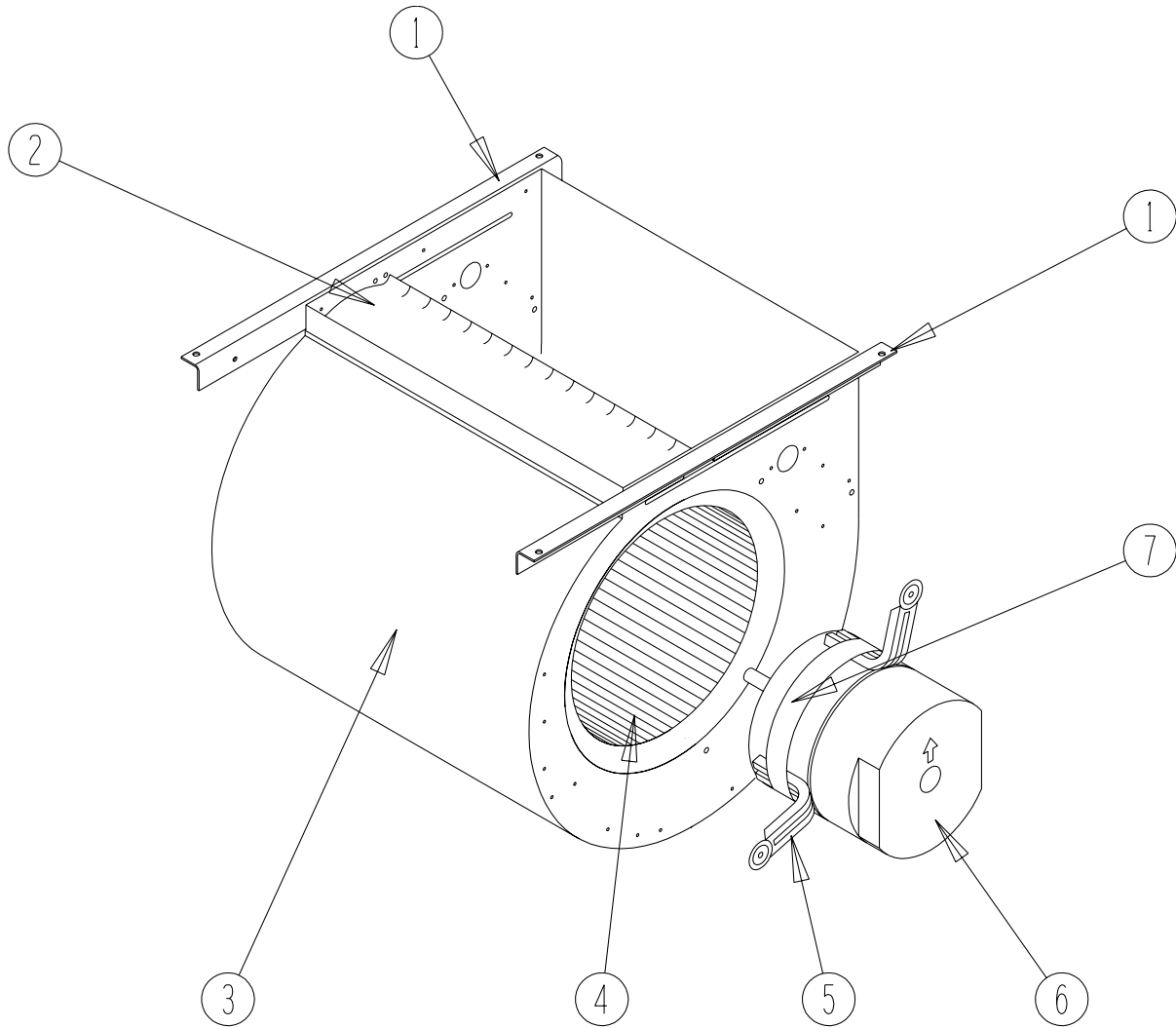
SEXP-424

LOWER CONTROL PANEL COMPONENTS

Drawing No.	Part No.	Description	Q24A1DA	Q30A1DA	Q36A1DA	Q42A1DA	Q48A1DA	Q60A1DA	Q24A1DB Q30A1DB Q36A1DB Q42A1DB Q48A1DB Q60A1DB	Q24A1DC Q30A1DC Q36A1DC Q42A1DC Q48A1DC Q60A1DC
1	8550-008	Capacitor Strap	X	X	X	X	X	X		
1	8550-003	Capacitor Strap							X	X
2	8552-002	Fan Capacitor							X	X
2	8552-050	Compressor Capacitor	X							
2	8552-052	Compressor Capacitor		X	X	X				
2	8552-081	Compressor Capacitor					X			
2	8552-061	Compressor Capacitor						X		
3	8607-014	Terminal Block 3 Terminal							X	X
4	8607-013	Terminal Block 2 Terminal	X	X	X	X	X	X		X
5	8607-022	Terminal Block 8 Position	X	X	X	X	X	X	X	X
6	8607-017	Terminal Block 2 Terminal	X	X	X	X	X	X	X	2

① Optional on standard models. Standard on low ampacity models.

BLOWER ASSEMBLY COMPONENTS

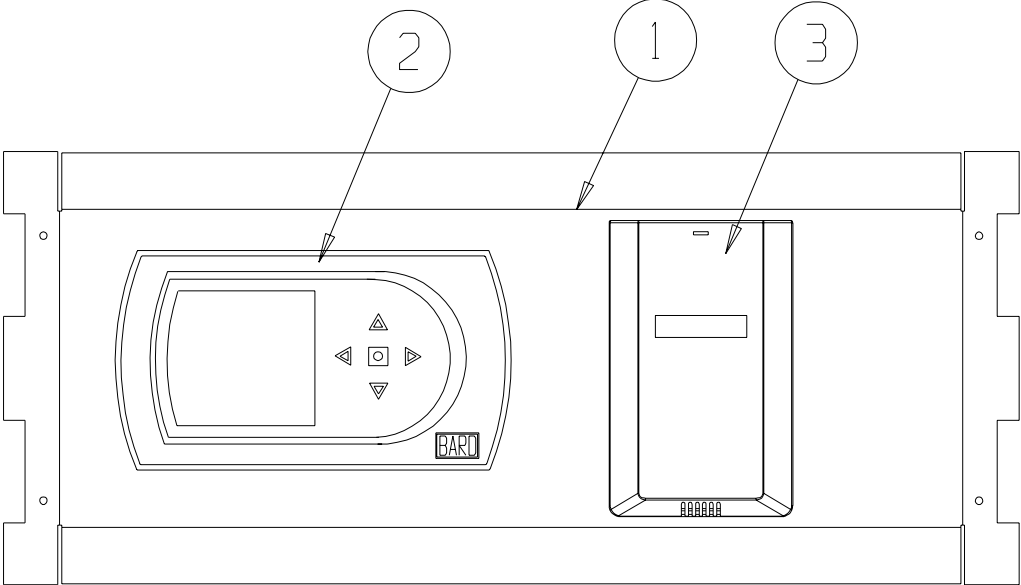


SEXP-245

BLOWER ASSEMBLY COMPONENTS

Drawing No.	Part No.	Description	900-225-001	900-225-002	900-225-004	900-225-005	900-254-001
1	104-980	Blower Angle	2	2	2	2	2
2	144-131	Diffuser	X	X	X	X	X
3	151-110	Blower Housing	X	X	X	X	X
4	5152-061	Blower Wheel	X	X	X	X	X
5	8620-034	Motor Mount Kit	X	X	X	X	X
6	S8106-035-0003A	1/2 HP ECM Motor with Programmed Control	X				
6	C8106-035-0003A	Programmed Motor Control - Only	X				
6	S8106-035-0004A	1/2 HP ECM Motor with Programmed Control		X			
6	C8106-035-0004A	Programmed Motor Control - Only		X			
6	S8106-035-0005B	1/2 HP ECM Motor with Programmed Control			X		
6	C8106-035-0005B	Programmed Motor Control - Only			X		
6	S8106-035-0013A	1/2 HP ECM Motor with Programmed Control				X	
6	C8106-035-0013A	Programmed Motor Control - Only				X	
6	S8107-009-0024A	3/4 HP ECM Motor with Programmed Control					X
6	C8107-009-0024A	Programmed Motor Control - Only					X
7	8620-034	Motor Mount Kit	X	X	X	X	X

OPTIONAL CLIMATE CONTROLS



SEXP-0497 A

OPTIONAL CLIMATE CONTROLS

Drawing No.	Part No.	Description	Q24A1D, Q30A1D Q36A1D, Q42A1D Q48A1D, Q60A1D			
			Option X	Option G	Option E	Option I
1	S127-313-* ①	Thermostat Plate	X			
1	S127-308-* ①	Thermostat Plate		X	X	
1	S127-372-* ①	Thermostat Plate				X
2	8403-060	Electronic / Non-Programmable Manual / Auto Changeover w/Humidistat		X		
2	8403-060	Electronic / Programmable Manual / Auto Changeover w/Humidistat			X	X
3	8403-056	CO2 Sensor				X
NS	3000-1311	Wire Harness, Low Voltage, Terminal Strip to PL2	X			
NS	3000-1308	Wire Harness, Thermostat to PL2		X		
NS	3000-1309	Wire Harness, Thermostat to PL2			X	
NS	3000-1310	Wire Harness				X
NS	8607-019	Low Voltage Terminal Strip	X	X		
NS	4102-072	Wiring Diagram	X			
NS	4102-073	Wiring Diagram		X		
NS	4102-074	Wiring Diagram			X	
NS	4102-075	Wiring Diagram				X

① Exterior cabinet parts are manufactured with various color options. To insure that you receive the proper color, you must include the complete models and serial number of the unit for which parts are being ordered.

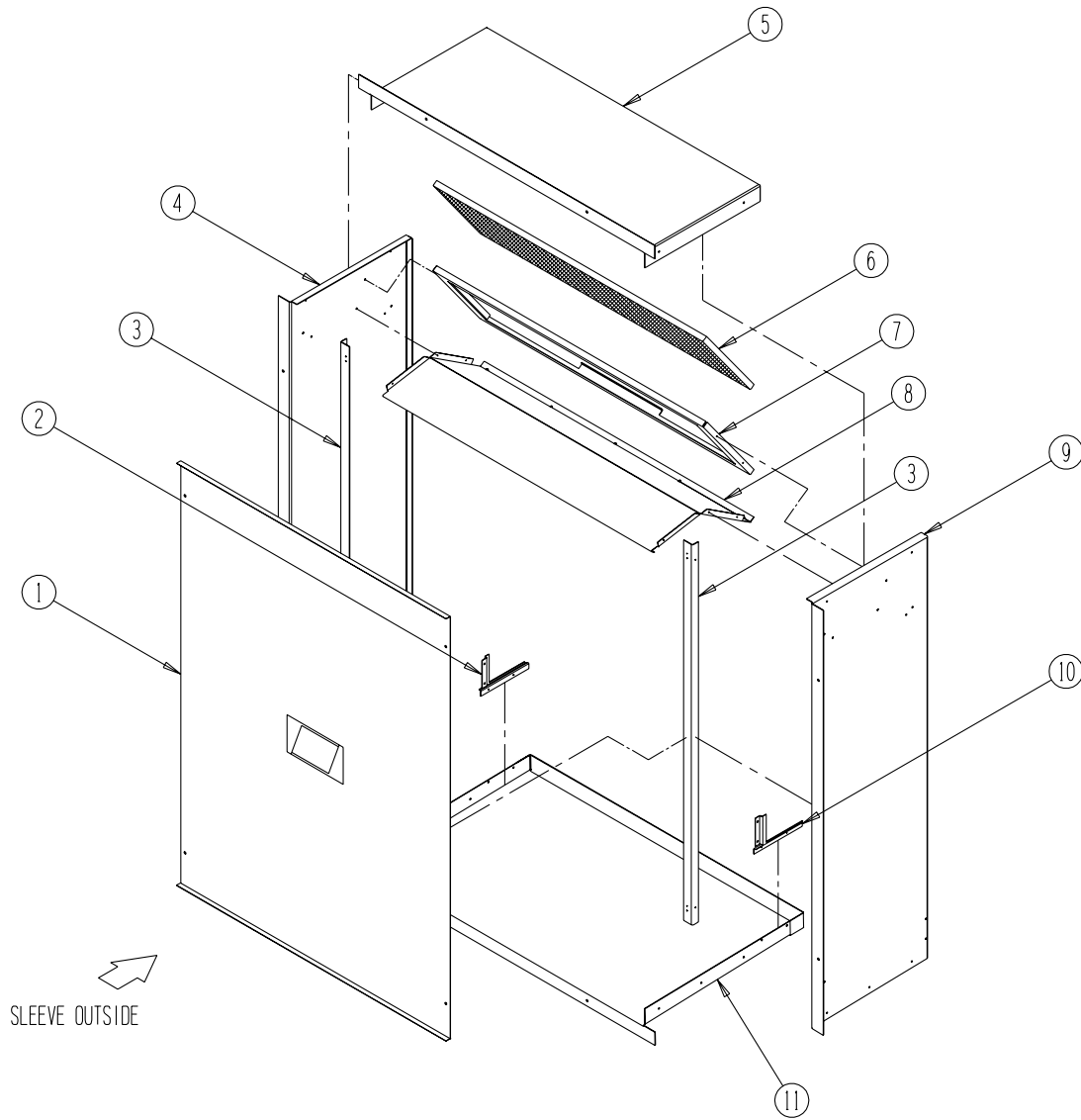
NS Not Shown

CLIMATE CONTROL OPTION NOMENCLATURE AS SHOWN IN UNIT MODEL NUMBER

Q 36A1 D A 09 X X X X X X

- | | |
|---|--|
| X | – None |
| G | – Electronic, non-programmable, manual changeover w/humidistat |
| E | – Electronic, programmable, manual/auto changeover w/humidistat |
| I | – Electronic, programmable, manual/auto changeover w/humidistat & CO ₂ controller |

WALL SLEEVE CABINET COMPONENTS



SEXP-281

WALL SLEEVE CABINET COMPONENTS

Drawing No.	Part No.	Description	QWS42A	QWS42A-16	QWS48A	QWS48A-16
1	142-056	Cover	X	X		
1	142-068	Cover			X	X
2	137-450-X	Left Side Seal Angle	X	X	X	X
3	104-988-X	Angle	2	2	2	2
4	111-081-X	Left Side	X		X	
4	111-083-X	Left Side		X		X
5	111-047-X	Top	X			
5	110-050-X	Top		X		
5	110-056-X	Top			X	
5	110-070-X	Top				X
6	7003-044	Mist Eliminator	X	X	X	X
7	131-120-X	Filter Tray	X	X		
7	131-128-X	Filter Tray			X	X
8	121-305-X	Partition	X			
8	121-309-X	Partition		X		
8	121-322-X	Partition			X	
8	121-348-X	Partition				X
9	111-080-X	Right Side	X		X	
9	111-082-X	Right Side		X		X
10	137-449-X	Right Side Seal Angle	X	X		
11	111-046-X	Base	X			
11	111-049-X	Base		X		
11	111-055-X	Base			X	
11	111-071-X	Base				X