
WALL MOUNTED PACKAGE HEAT PUMPS

REPLACEMENT PARTS MANUAL

Models: **S38H1** **W38H1**
 S43H1 **W43H1**
 S49H1 **W49H1**
 S61H1 **W61H1**
 S38H1D **S43H1D**
 S49H1D **S61H1D**

General Notes

- Revised and/or additional pages may be issued from time to time.
- A complete and current manual consists of pages shown in the following contents section.

Important

- Contact the installing and/or local Bard distributor for all parts requirements. Make sure you have the complete model and serial number available from the unit rating plates.

Contents

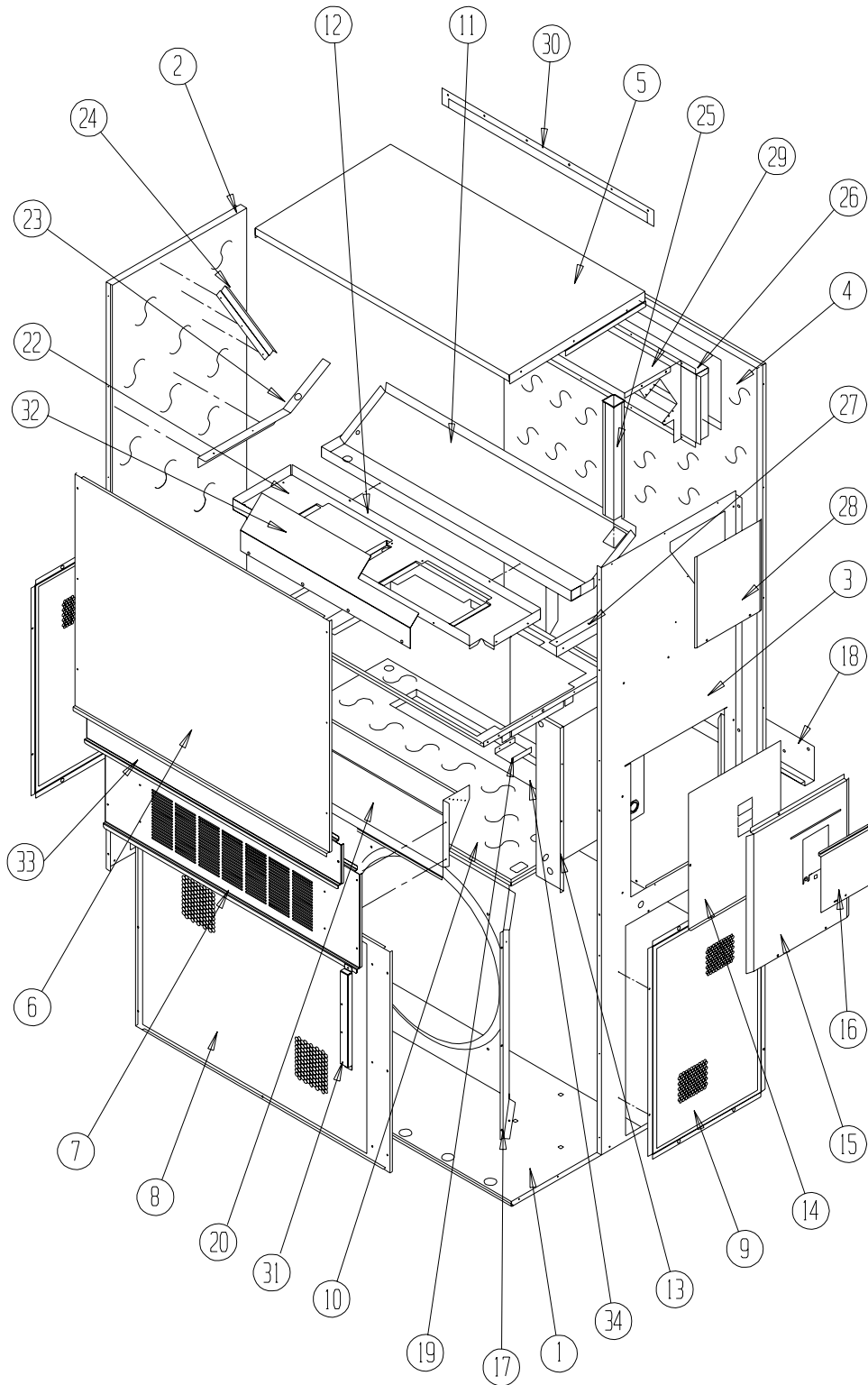
<i>Description</i>	<i>Page</i>
Cabinet Components	
♦ Exploded View	2
♦ Usage List	3, 4 & 5
Functional Components	
♦ Exploded View	6
♦ Usage List	7, 8 & 9
Control Panel	
♦ Layout	10
♦ Usage List	11
Control Panel Components	
♦ Layout	12
♦ Usage List	13
Blower Assembly	
♦ Exploded View	14
♦ Usage List	14



Bard Manufacturing Company, Inc.
Bryan, Ohio 43506
Since 1914...Moving ahead, just as planned.



Manual: 2110-578B
Supersedes: 2110-578A
File: Tab 17
Date: 01-13-11

CABINET COMPONENTS



SEXP-545

CABINET COMPONENTS

Dwg. No.	Part Number	Description	S38H1-A, B	S38H1-C	S43H1-A, B	S43H1-C	S49H1-A, B	S49H1-C	S61H1-A, B	S61H1-C
1	S127X214	Lower Base	X	X	X	X	X	X	X	X
2	S500-262-* ①	Left Side	X	X	X	X	X			
2	S500-316-* ①	Left Side							X	X
3	S500-261-* ①	Right Side	X	X	X	X	X			
3	S500-315-* ①	Right Side							X	X
4	S508-098	Back	X	X	X	X	X			
4	S508-129	Back							X	X
5	S506-142-* ①	Top	X	X	X	X	X	X	X	X
6	S514-144 	Upper Front	X	X	X	X	X	X	X	X
7	S552-2  ①	Service Door	X	X	X	X	X	X	X	X
8	118-048-* ①	Condenser Grille	X	X	X	X	X			
8	118-052-* ①	Condenser Grille							X	X
9	118-057-* ①	Side Grille	2	2	2	2	2			
9	118-058-* ①	Side Grille							2	2
10	S521X258	Condenser Partition	X	X	X	X	X	X	X	X
11	S123-102	Drain Pan	X	X	X	X	X	X	X	X
12	121X216	Blower Partition	X	X	X	X	X	X	X	X
13	Control Panel Assembly	See Control Panel Assembly Drawing and Parts List Assembly	X	X	X	X	X	X	X	X
14	S132-114	Control Panel Cover (Inner)	X		X		X		X	
14	S132-183	Control Panel Cover (Inner)		X		X		X		X
15	S533-113-* ①	Control Panel Cover (Outer)	X	X	X	X	X	X	X	X
16	S153-218-* ①	Disconnect Access Door	X	X	X	X	X	X	X	X
17	125-024	Fan Shroud	X	X	X	X	X			
17	125-029	Fan Shroud							X	X
18	113-140	Bottom Mounting Bracket	X	X	X	X	X	X	X	X
19	137-209	Fill	X	X	X	X	X	X	X	X
20	BFAD-5	Fresh Air Damper Assembly	X	X	X	X	X	X	X	X
22	131X099	Filter Tray	X	X	X	X	X	X	X	X
23	105X877	Left Side Support	X	X	X	X	X	X	X	X
24	147-046	Left Evaporator Support	X	X	X	X	X	X	X	X
25	135-128	Raceway	2	2	2	2	2	2	2	2
26	S111X034	Outlet Air Frame Assembly	X	X	X	X	X	X	X	X
27	105X878	Right Side Support	X	X	X	X	X	X	X	X
28	S143-042-* ①	Right Side Cover Plate (Outer)	X	X	X	X	X	X	X	X
29	135-129	Heat Shield	X	X	X	X	X	X	X	X
30	113-150-* ①	Top Rain Flashing	X	X	X	X	X	X	X	X
32	135-175	Air Baffle	X	X	X	X	X	X	X	X
33	S553-384-* ①	Filter Door Assembly	X	X	X	X	X	X	X	X
34	S536-258	Condenser Part. Blank-Off Plate	X	X	X	X	X	X	X	X

① Exterior cabinet parts are manufactured with various paint color options. To insure that you receive the proper paint color, you must include the complete model and serial number of the unit for which cabinet parts are being ordered.

CABINET COMPONENTS

Dwg. No.	Part Number	Description	W38H1-A, B	W38H1-C	W43H1-A, B	W43H1-C	W49H1-A, B	W49H1-C	W61H1-A, B	W61H1-C
1	S127-299	Lower Base	X	X	X	X	X	X	X	X
2	S500-262-* ①	Left Side	X	X	X	X	X	X		
2	S500-316-* ①	Left Side							X	X
3	S500-261-* ①	Right Side	X	X	X	X	X	X		
3	S500-315-* ①	Right Side							X	X
4	S508-098	Back	X	X	X	X	X	X		
4	S508-129	Back							X	X
5	S506-142-* ①	Top	X	X	X	X	X	X	X	X
6	S514-144-* ①	Upper Front	X	X	X	X	X	X	X	X
7	S552-224 ①	Service Door	X	X	X	X	X	X	X	X
8	118-054-* ①	Condenser Grille	X	X	X	X	X	X		
8	118-055-* ①	Condenser Grille							X	X
9	118-057-* ①	Side Grille	2	2	2	2	2	2		
9	118-058-* ①	Side Grille							2	2
10	S521X258	Condenser Partition	X	X	X	X	X	X	X	X
11	S123-102	Drain Pan	X	X	X	X	X	X	X	X
12	121X216	Blower Partition	X	X	X	X	X	X	X	X
13	Control Panel Assembly	See Control Panel Assembly Drawing and Parts List Assembly	X	X	X	X	X	X	X	X
14	S132-114	Control Panel Cover (Inner)	X		X		X		X	
14	S132-183	Control Panel Cover (Inner)		X		X		X		X
15	S533-113-* ①	Control Panel Cover (Outer)	X	X	X	X	X	X	X	X
16	S153-322-* ①	Disconnect Access Door	X	X	X	X	X	X	X	X
17	125-036	Fan Shroud	X	X	X	X	X	X		
17	125-038	Fan Shroud							X	X
18	113-140	Bottom Mounting Bracket	X	X	X	X	X	X	X	X
19	137-209	Fill	X	X	X	X	X	X	X	X
20	BFAD-5	Fresh Air Damper Assembly	X	X	X	X	X	X	X	X
22	131X099	Filter Tray	X	X	X	X	X	X	X	X
23	105X877	Left Side Support	X	X	X	X	X	X	X	X
24	147-046	Left Evaporator Support	X	X	X	X	X	X	X	X
25	135-128	Raceway	2	2	2	2	2	2	2	2
26	S111X034	Outlet Air Frame Assembly	X	X	X	X	X	X	X	X
27	105X878	Right Side Support	X	X	X	X	X	X	X	X
28	S143-042-* ①	Right Side Cover Plate (Outer)	X	X	X	X	X	X	X	X
29	135-129	Heat Shield	X	X	X	X	X	X	X	X
30	113-150-* ①	Top Rain Flashing	X	X	X	X	X	X	X	X
31	113-259-* ①	Thermostat Shield	X	X	X	X	X	X	X	X
32	135-175	Air Baffle	X	X	X	X	X	X	X	X
33	S553-384-* ①	Filter Door Assembly	X	X	X	X	X	X	X	X

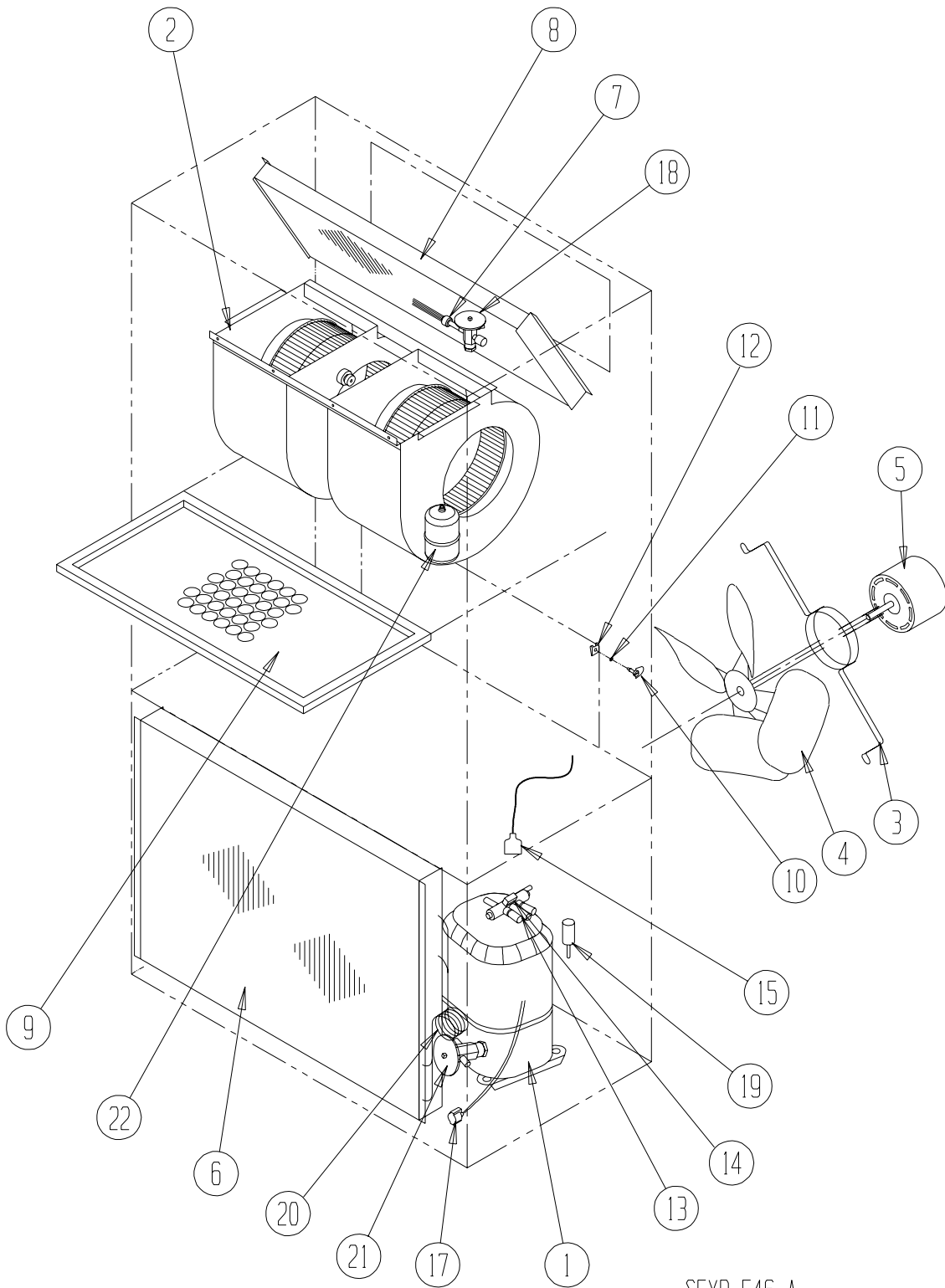
① Exterior cabinet parts are manufactured with various paint color options. To insure that you receive the proper paint color, you must include the complete model and serial number of the unit for which cabinet parts are being ordered.

CABINET COMPONENTS

Dwg. No.	Part Number	Description	S38H1DA, B	S38H1DC	S43H1DA, B	S43H1DC	S49H1DA, B	S49H1DC	S61H1DA, B	S61H1DC
1	S127X214	Lower Base	X	X	X	X	X	X	X	X
2	S500-262-* ①	Left Side	X	X	X	X	X	X		
2	S500-316-* ①	Left Side							X	X
3	S500-261-* ①	Right Side	X	X	X	X	X	X		
3	S500-315-* ①	Right Side							X	X
4	S508-098	Back	X	X	X	X	X	X		
4	S508-129	Back							X	X
5	S506-142-* ①	Top	X	X	X	X	X	X	X	X
6	S514-144-* ①	Upper Front	X	X	X	X	X	X	X	X
7	S552-224-* ①	Service Door	X	X	X	X	X	X	X	X
8	118-048-* ①	Condenser Grille	X	X	X	X	X	X		
8	118-052-* ①	Condenser Grille							X	X
9	118-057-* ①	Side Grille	2	2	2	2	2	2		
9	118-058-* ①	Side Grille							2	2
10	S521X258	Condenser Partition	X	X	X	X	X	X	X	X
11	S123-102	Drain Pan	X	X	X	X	X	X	X	X
12	121X216	Blower Partition	X	X	X	X	X	X	X	X
13	Control Panel Assembly	See Control Panel Assembly Drawing and Parts List Assembly	X	X	X	X	X	X	X	X
14	S132-114	Control Panel Cover (Inner)	X		X		X		X	
14	S132-183	Control Panel Cover (Inner)		X		X		X		X
15	S533-113-* ①	Control Panel Cover (Outer)	X	X	X	X	X	X	X	X
16	S153-218-* ①	Disconnect Access Door	X	X	X	X	X	X	X	X
17	125-024	Fan Shroud	X	X	X	X	X	X		
17	125-029	Fan Shroud							X	X
18	113-140	Bottom Mounting Bracket	X	X	X	X	X	X	X	X
19	137-209	Fill	X	X	X	X	X	X	X	X
20	BFAD-5	Fresh Air Damper Assembly	X	X	X	X	X	X	X	X
22	131X099	Filter Tray	X	X	X	X	X	X	X	X
23	105X877	Left Side Support	X	X	X	X	X	X	X	X
24	147-046	Left Evaporator Support	X	X	X	X	X	X	X	X
25	135-128	Raceway	2	2	2	2	2	2	2	2
26	S111X034	Outlet Air Frame Assembly	X	X	X	X	X	X	X	X
27	105X878	Right Side Support	X	X	X	X	X	X	X	X
28	S143-042-* ①	Right Side Cover Plate (Outer)	X	X	X	X	X	X	X	X
29	135-129	Heat Shield	X	X	X	X	X	X	X	X
30	113-150-* ①	Top Rain Flashing	X	X	X	X	X	X	X	X
32	135-175	Air Baffle	X	X	X	X	X	X	X	X
33	S553-384-* ①	Filter Door Assembly	X	X	X	X	X	X	X	X
34	S536-258	Condenser Part. Blank-Off Plate	X	X	X	X	X	X	X	X

① Exterior cabinet parts are manufactured with various paint color options. To insure that you receive the proper paint color, you must include the complete model and serial number of the unit for which cabinet parts are being ordered.

FUNCTIONAL COMPONENTS



SEXP-546 A

FUNCTIONAL COMPONENTS

Drawing No.	Part No.	Description	S38H1-A	S38H1-B	S38H1-C	S43H1-A	S43H1-B	S43H1-C	S49H1-A	S49H1-B	S49H1-C	S61H1-A	S61H1-B	S61H1-C
1	8000-309	Compressor	X											
1	8000-310	Compressor		X										
1	8000-311	Compressor			X									
1	8000-349	Compressor				X								
1	8000-350	Compressor					X							
1	8000-351	Compressor						X						
1	8000-343	Compressor							X					
1	8000-344	Compressor								X				
1	8000-345	Compressor									X			
1	8000-324	Compressor										X		
1	8000-325	Compressor											X	
1	8000-326	Compressor												X
2	S900-272-003	Blower Assembly	X	X	X									
2	S900-273-008	Blower Assembly				X	X	X						
2	S900-273-007	Blower Assembly							X	X	X			
2	S900-273-006	Blower Assembly										X	X	X
3	8200-004	Fan Motor Mount	X	X	X	X	X	X	X	X	X	X	X	X
4	5151-027	Fan Blade	X	X	X	X	X	X	X	X	X	X	X	X
5	8105-039	Condenser Motor	X	X		X	X		X	X		X	X	
5	8105-030	Condenser Motor			X			X			X			X
6	5051-107BX	Condenser Coil	X	X	X	X	X	X						
6	5051-077BX	Condenser Coil							X	X	X			
6	5051-160BX	Condenser Coil										X	X	X
7	800-0342	Cooling Distributor Assembly	X	X	X									
7	800-0287	Cooling Distributor Assembly				X	X	X						
7	800-0288	Cooling Distributor Assembly							X	X	X	X	X	X
8	5060-070BX	Evaporator Coil	X	X	X									
8	5060-138BX	Evaporator Coil				X	X	X						
8	5060-082BX	Evaporator Coil							X	X	X			
8	5060-010	Evaporator Coil										X	X	X
9	7004-016	Air Filter 1" Throw Away	X	X	X	X	X	X	X	X	X	X	X	X
9	7003-030	Air Filter 1" Washable ①	X	X	X	X	X	X	X	X	X	X	X	X
9	7004-027	Air Filter 2" Pleated ①	X	X	X	X	X	X	X	X	X	X	X	X
10	1171-022	1/4" Turn Fastener	X	X	X	X	X	X	X	X	X	X	X	X
11	1171-024	1/4" Turn Retainer	X	X	X	X	X	X	X	X	X	X	X	X
12	1171-023	1/4" Receptacle	X	X	X	X	X	X	X	X	X	X	X	X
13	5650-039	Reversing Valve with 24V Solenoid Coil	X	X	X	X	X	X						
13	5650-040	Reversing Valve with 24V Solenoid Coil							X	X	X	X	X	X
14	5650-042	Rev. Valve Solenoid, Red Casing (Ranco)	X	X	X	X	X	X	X	X	X	X	X	X
14	5650-043	Rev. Valve Solenoid, Black Casing (Wilspec)	X	X	X	X	X	X	X	X	X	X	X	X
14	5650-046	Rev. Valve Solenoid, Black Casing (San Hua)	X	X	X	X	X	X	X	X	X	X	X	X
15	5650-037	Molded Plug 36" Lead	X	X	X	X	X	X	X	X	X	X	X	X
17	8620-095	Defrost Sensor	X	X	X	X	X	X	X	X	X	X	X	X
18	5651-174	Expansion Valve Cooling	X	X	X									
18	5651-178	Expansion Valve Cooling				X	X	X						
18	5651-198	Expansion Valve Cooling							X	X	X			
18	5651-199	Expansion Valve Cooling										X	X	X
19	1804-0385	High Pressure Switch (Flare) ①	X	X	X	X	X	X	X	X	X	X	X	X
20	800-0210	Heating Distributor Assembly	X	X	X	X	X	X						
20	800-0399	Heating Distributor Assembly							X	X	X			
20	800-0343	Heating Distributor										X	X	X
21	5651-178	Expansion Valve Heating	X	X	X	X	X	X	X	X	X			
21	5651-184	Expansion Valve Heating										X	X	X
22	5201-010	Filter Drier	X	X	X	X	X	X	X	X	X	X	X	X
NS	1804-0107	Low Pressure Switch (Flare) ①	X	X	X	X	X	X	X	X	X			
NS	CMH-20	Low Ambient Control (Flare) ①	X	X	X	X	X	X	X	X	X			
NS	3000-12	Molded Compressor Plug										X		
NS	3000-1230	Molded Compressor Plug											X	X
NS	3000-1224	Molded Compressor Plug	X			X			X					
NS	3000-1231	Molded Compressor Plug		X	X	X	X		X	X				

NS – Not Shown

① – Optional

FUNCTIONAL COMPONENTS

Drawing No.	Part No.	Description	W38H1-A	W38H1-B	W38H1-C	W43H1-A	W43H1-B	W43H1-C	W49H1-A	W49H1-B	W49H1-C	W61H1-A	W61H1-B	W61H1-C
1	8000-309	Compressor	X											
1	8000-310	Compressor		X										
1	8000-311	Compressor			X									
1	8000-349	Compressor				X								
1	8000-350	Compressor					X							
1	8000-351	Compressor						X						
1	8000-343	Compressor							X					
1	8000-344	Compressor								X				
1	8000-345	Compressor									X			
1	8000-324	Compressor										X		
1	8000-325	Compressor											X	
1	8000-326	Compressor												X
2	S900-272-003	Blower Assembly	X	X	X									
2	S900-273-008	Blower Assembly				X	X	X						
2	S900-273-007	Blower Assembly							X	X	X			
2	S900-273-006	Blower Assembly										X	X	X
3	8200-004	Fan Motor Mount	X	X	X	X	X	X	X	X	X	X	X	X
4	5151-054	Fan Blade	X	X	X	X	X	X	X	X	X	X	X	X
5	8105-039	Condenser Motor	X	X		X	X		X	X		X	X	
5	8105-030	Condenser Motor			X			X			X			X
6	5051-107BX	Condenser Coil	X	X	X	X	X	X						
6	5051-077BX	Condenser Coil							X	X	X			
6	5051-130BX	Condenser Coil										X	X	X
7	800-0342	Cooling Distributor Assembly	X	X	X									
7	800-0287	Cooling Distributor Assembly				X	X	X						
7	800-0288	Cooling Distributor Assembly							X	X	X	X	X	X
8	5060-070BX	Evaporator Coil	X	X	X									
8	5060-138BX	Evaporator Coil				X	X	X						
8	5060-082BX	Evaporator Coil							X	X	X			
8	5060-0107BX	Evaporator Coil										X	X	X
9	7004-016	Air Filter 1" Throw Away	X	X	X	X	X	X	X	X	X	X	X	X
9	7003-030	Air Filter 1" Washable ①	X	X	X	X	X	X	X	X	X	X	X	X
9	7004-027	Air Filter 2" Pleated ①	X	X	X	X	X	X	X	X	X	X	X	X
10	1171-022	1/4" Turn Fastener	X	X	X	X	X	X	X	X	X	X	X	X
11	1171-024	1/4" Turn Retainer	X	X	X	X	X	X	X	X	X	X	X	X
12	1171-023	1/4" Receptacle	X	X	X	X	X	X	X	X	X	X	X	X
13	5650-039	Reversing Valve with 24V Solenoid Coil	X	X	X	X	X	X						
13	5650-040	Reversing Valve with 24V Solenoid Coil							X	X	X	X	X	X
14	5650-042	Rev. Valve Solenoid, Red Casing (Ranco)	X	X	X	X	X	X	X	X	X	X	X	X
14	5650-043	Rev. Valve Solenoid, Black Casing (Wilspec)	X	X	X	X	X	X	X	X	X	X	X	X
14	5650-046	Rev. Valve Solenoid, Black Casing (San Hua)	X	X	X	X	X	X	X	X	X	X	X	X
15	5650-037	Molded Plug 3/8" Lead	X	X	X	X	X	X	X	X	X	X	X	X
17	8620-095	Defrost Sensor	X	X	X	X	X	X	X	X	X	X	X	X
18	5651-174	Expansion Valve Cooling	X	X	X									
18	5651-178	Expansion Valve Cooling				X	X	X						
18	5651-198	Expansion Valve Cooling							X	X	X			
18	5651-199	Expansion Valve Cooling										X	X	X
19	1804-0385	High Pressure Switch (Flare) ①	X	X	X	X	X	X	X	X	X	X	X	X
20	800-0210	Heating Distributor Assembly	X	X	X	X	X	X						
20	800-0399	Heating Distributor Assembly							X	X	X			
20	800-0343	Heating Distributor										X	X	X
21	5651-178	Expansion Valve Heating	X	X	X	X	X	X	X	X	X			
21	5651-184	Expansion Valve Heating										X	X	X
22	5201-010	Filter Drier	X	X	X	X	X	X	X	X	X	X	X	X
NS	1804-0107	Low Pressure Switch (Flare) ①	X	X	X	X	X	X	X	X	X			
NS	CMH-20	Low Ambient Control (Flare) ①	X	X	X	X	X	X	X	X	X			
NS	3000-1222	Molded Compressor Plug										X		
NS	3000-1230	Molded Compressor Plug											X	X
NS	3000-1224	Molded Compressor Plug	X			X			X					
NS	3000-1231	Molded Compressor Plug		X	X		X	X	X	X				

NS – Not Shown

① – Optional

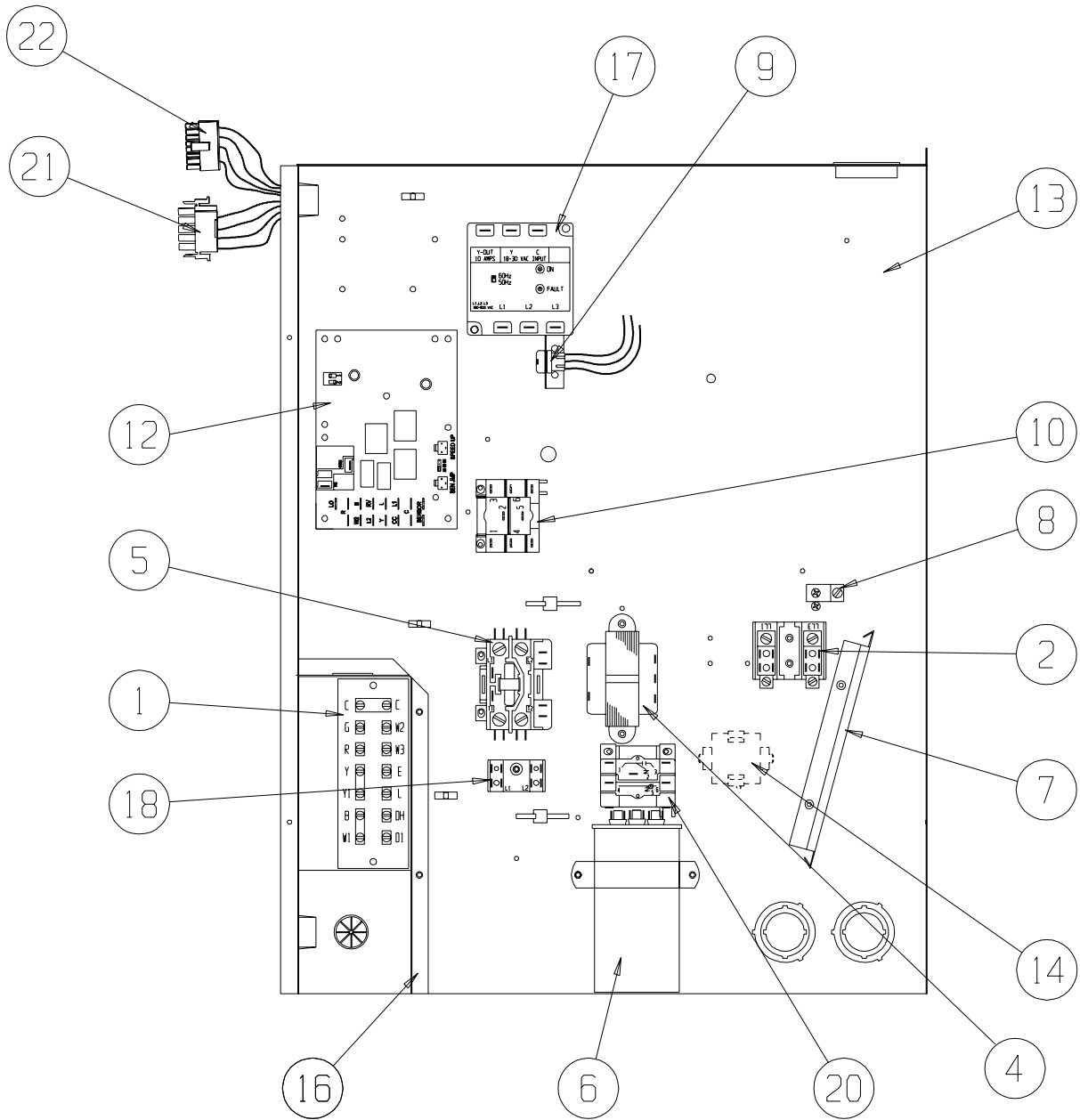
FUNCTIONAL COMPONENTS

Drawing No.	Part No.	Description	S38H1DA	S38H1DB	S38H1DC	S43H1DA	S43H1DB	S43H1DC	S49H1DA	S49H1DB	S49H1DC	S61H1DA	S61H1DB	S61H1DC
1	8000-309	Compressor	X											
1	8000-310	Compressor		X										
1	8000-311	Compressor			X									
1	8000-349	Compressor				X								
1	8000-350	Compressor					X							
1	8000-351	Compressor						X						
1	8000-343	Compressor							X					
1	8000-344	Compressor								X				
1	8000-345	Compressor									X			
1	8000-324	Compressor										X		
1	8000-325	Compressor											X	
1	8000-326	Compressor												X
2	S900-272-003	Blower Assembly	X	X	X									
2	S900-273-008	Blower Assembly				X	X	X						
2	S900-273-007	Blower Assembly							X	X	X			
2	S900-273-006	Blower Assembly										X	X	X
3	8200-004	Fan Motor Mount	X	X	X	X	X	X	X	X	X	X	X	X
4	5151-027	Fan Blade	X	X	X	X	X	X	X	X	X	X	X	X
5	8105-039	Condenser Motor	X	X		X	X		X	X		X	X	
5	8105-030	Condenser Motor			X		X				X			X
6	5051-107BX	Condenser Coil	X	X	X	X	X	X						
6	5051-077BX	Condenser Coil							X	X	X			
6	5051-130BX	Condenser Coil										X	X	X
7	800-0342	Cooling Distributor Assembly	X	X	X									
7	800-0287	Cooling Distributor Assembly				X	X	X						
7	800-0288	Cooling Distributor Assembly							X	X	X	X	X	X
8	917-0042BX	Evaporator Coil Assembly	X	X	X									
8	917-0130BX	Evaporator Coil Assembly				X	X	X						
8	917-0044BX	Evaporator Coil Assembly							X	X	X			
8	917-0108BX	Evaporator Coil Assembly										X	X	X
9	7004-016	Air Filter 1" Throw Away	X	X	X	X	X	X	X	X	X	X	X	X
9	7003-030	Air Filter 1" Washable ①	X	X	X	X	X	X	X	X	X	X	X	X
9	7004-027	Air Filter 2" Pleated ①	X	X	X	X	X	X	X	X	X	X	X	X
10	1171-022	1/4" Turn Fastener	X	X	X	X	X	X	X	X	X	X	X	X
11	1171-024	1/4" Turn Retainer	X	X	X	X	X	X	X	X	X	X	X	X
12	1171-023	1/4" Receptacle	X	X	X	X	X	X	X	X	X	X	X	X
13	5650-039	Reversing Valve with 24V Solenoid Coil	X	X	X	X	X	X						
13	5650-040	Reversing Valve with 24V Solenoid Coil							X	X	X	X	X	X
14	5650-042	Rev. Valve Solenoid, Red Casing (Ranco)	X	X	X	X	X	X	X	X	X	X	X	X
14	5650-043	Rev. Valve Solenoid, Black Casing (Wilspec)	X	X	X	X	X	X	X	X	X	X	X	X
14	5650-046	Rev. Valve Solenoid, Black Casing (San Hua)	X	X	X	X	X	X	X	X	X	X	X	X
15	5650-037	Molded Plug 36" Lead	X	X	X	X	X	X	X	X	X	X	X	X
17	8620-095	Defrost Sensor	X	X	X	X	X	X	X	X	X	X	X	X
18	5651-174	Expansion Valve Cooling	X	X	X									
18	5651-178	Expansion Valve Cooling				X	X	X						
18	5651-198	Expansion Valve Cooling							X	X	X			
18	5651-199	Expansion Valve Cooling										X	X	X
19	1804-0385	High Pressure Switch (Flare) ①	X	X	X	X	X	X	X	X	X	X	X	X
20	800-0210	Heating Distributor Assembly	X	X	X	X	X	X						
20	800-0399	Heating Distributor Assembly							X	X	X			
20	800-0343	Heating Distributor										X	X	X
21	5651-178	Expansion Valve Heating	X	X	X	X	X	X	X	X	X			
21	5651-184	Expansion Valve Heating										X	X	X
22	5201-010	Filter Drier	X	X	X	X	X	X	X	X	X	X	X	X
NS	1804-0107	Low Pressure Switch (Flare) ①	X	X	X	X	X	X	X	X	X			
NS	CMH-20	Low Ambient Control (Flare) ①	X	X	X	X	X	X	X	X	X			
NS	3000-1222	Molded Compressor Plug										X		
NS	3000-1230	Molded Compressor Plug											X	X
NS	3000-1224	Molded Compressor Plug	X			X			X					
NS	3000-1231	Molded Compressor Plug		X	X		X	X		X	X			
NS	5625-043	Flow Control (Orifice)	X	X	X	X	X	X	X	X	X	X	X	X
NS	5650-045	3-Way Valve with 24V Solenoid Coil	X	X	X	X	X	X	X	X	X	X	X	X

NS – Not Shown

① – Optional

CONTROL PANEL



SEXP-551 A

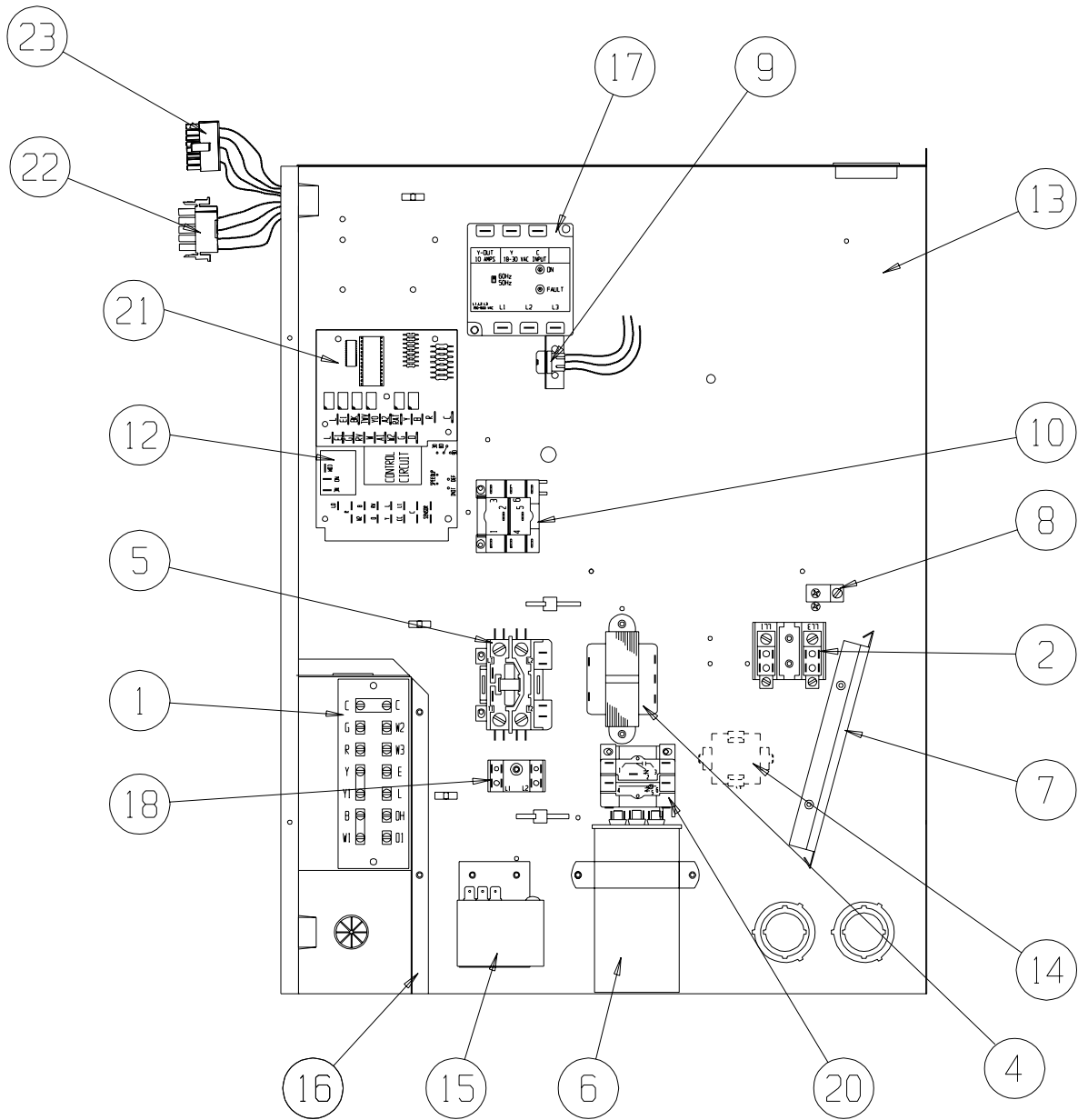
CONTROL PANEL

Drawing No.	Part No.	Description	S38H1-A, W38H1-A	S38H1-B, W38H1-B	S38H1-C, W38H1-C	S43H1-A, W43H1-A	S43H1-B, W43H1-B	S43H1-C, W43H1-C	S49H1-A, W49H1-C	S49H1-B, W49H1-C	S49H1-C, W49H1-C	S61H1-A, W60H1-C	S61H1-B, W60H1-C	S61H1-C, W60H1-C
1	8607-019	Low Voltage Terminal Strip	X	X	X	X	X	X	X	X	X	X	X	X
2	8607-013	Terminal Block 2 Pole	X			X			X			X		
2	8607-014	Terminal Block 3 Pole		X	X		X	X		X	X		X	X
2	8607-015	Phenolic Insulator			X			X			X			X
4	8407-035	Transformer	X	X		X	X		X	X		X	X	
4	8407-042	Transformer			X			X			X			X
5	8401-002	Compressor Contactor		X	X		X	X		X	X		X	X
5	8401-016	Compressor Contactor	X			X			X			X		
6	8552-005	Outdoor Motor Capacitor		X			X			X			X	
6	8552-079	Compressor Capacitor	X			X								
6	8552-089	Compressor Capacitor						X						
6	8552-058	Compressor Capacitor									X			
6	8552-026	Compressor Capacitor			X			X			X			X
7	135-130	Wire Shield	X	X	X	X	X	X	X	X	X	X	X	X
8	8611-006	Ground Terminal	X	X	X	X	X	X	X	X	X	X	X	X
9	3000-1324	6 Pin Connector	X	X	X	X	X	X	X	X	X	X	X	X
10	8201-086	Low Ambient Bypass Relay ①	X	X	X	X	X	X	X	X	X	X	X	X
12	8201-119	Heat Pump Control Board	X	X	X	X	X	X	X	X	X	X	X	X
13	117-289	Control Panel	X	X	X	X	X	X	X	X	X	X	X	X
14	8551-004	Start Device ① PTCR	X			X			X			X		
16	117X139	Low Voltage Box	X	X	X	X	X	X	X	X	X	X	X	X
17	8201-126	Phase Monitor		X	X		X	X		X	X		X	X
18	8607-017	Terminal Block ①	X	X	X	X	X	X	X	X	X	X	X	X
20	8201-032	Outdoor Fan Relay			X			X			X			X
21	3000-1221	Blower Motor Wire Harness Power	X	X	X	X	X	X	X	X	X	X	X	X
22	3000-1323	Blower Motor Wire Harness Control	X	X	X	X	X	X	X	X	X	X	X	X
NS	4096-149	Wiring Diagram	X			X			X			X		
NS	4096-249	Wiring Diagram		X			X			X			X	
NS	4096-349	Wiring Diagram			X			X			X			X
NS	8615-039	Circuit Breaker 45A 2 Pole (0Z)	X											
NS	8615-040	Circuit Breaker 50A 2 Pole (0Z)				X								
NS	8615-044	Circuit Breaker 35A 3 Pole (0Z)		X			X			X				
NS	8615-041	Circuit Breaker 60A 2 Pole (0Z)										X		
NS	8615-043	Circuit Breaker 40A 3 Pole (0Z)											X	
NS	S8615-068	Rotary Disconnect (0Z)			X			X			X			X

NS – Not Shown

① – Optional

CONTROL PANEL COMPONENTS



SEXP-552 A

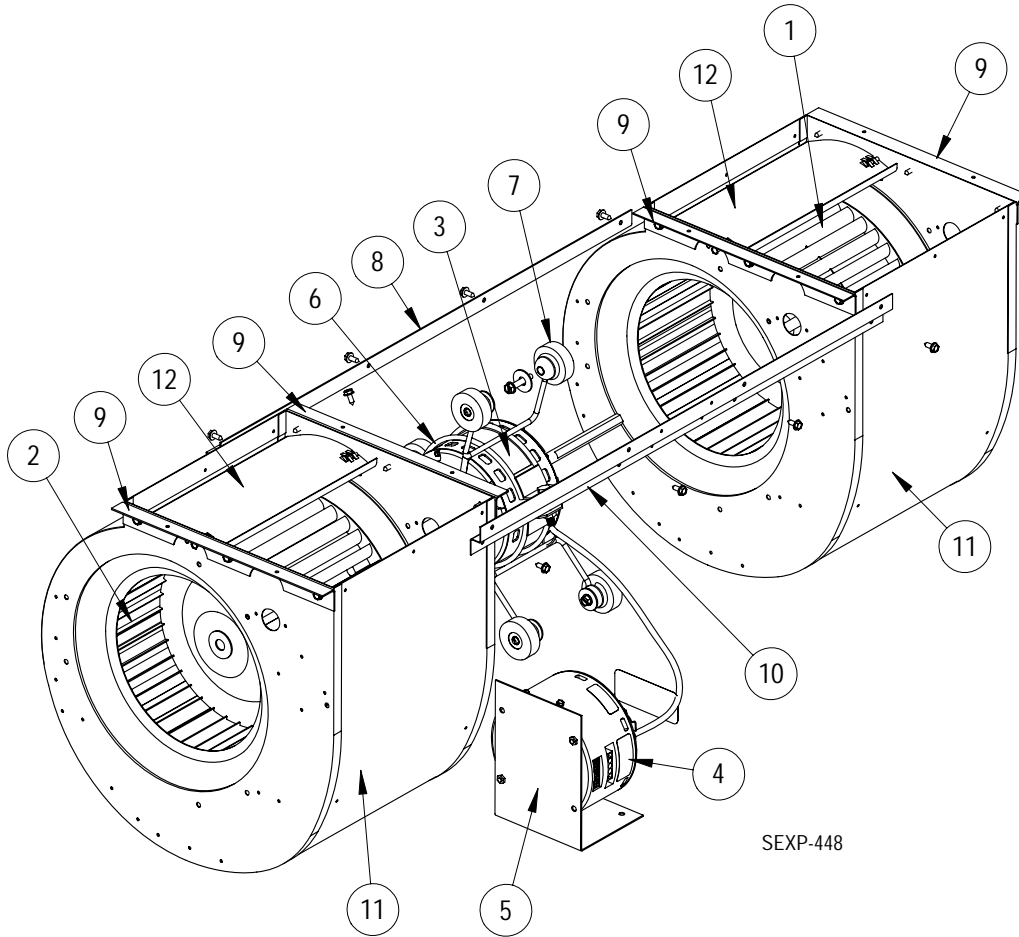
CONTROL PANEL

Drawing No.	Part No.	Description	S38H1DA	S38H1DB	S38H1DC	S43H1DA	S43H1DB	S43H1DC	S49H1DA	S49H1DB	S49H1DC	S61H1DA	S61H1DB	S61H1DC
1	8607-019	Low Voltage Terminal Strip	X	X	X	X	X	X	X	X	X	X	X	X
2	8607-013	Terminal Block 2 Pole	X			X			X			X		
2	8607-014	Terminal Block 3 Pole		X	X		X	X		X	X		X	X
2	8607-015	Phenolic Insulator			X			X			X			X
4	8407-035	Transformer	X	X		X	X		X	X		X	X	
4	8407-042	Transformer			X			X			X			X
5	8401-002	Compressor Contactor		X	X		X	X		X	X		X	X
5	8401-016	Compressor Contactor	X			X			X			X		
6	8552-005	Outdoor Motor Capacitor		X	X		X			X			X	
6	8552-079	Compressor Capacitor	X			X								
6	8552-089	Compressor Capacitor							X					
6	8552-058	Compressor Capacitor										X		
6	8552-026	Compressor Capacitor			X			X			X			X
7	135-130	Wire Shield	X	X	X	X	X	X	X	X	X	X	X	X
8	8611-006	Ground Terminal	X	X	X	X	X	X	X	X	X	X	X	X
9	3000-1344	6 Pin Connector	X	X	X	X	X	X	X	X	X	X	X	X
10	8201-086	Low Ambient Bypass Relay ①	X	X	X	X	X	X	X	X	X	X	X	X
12	8201-119	Heat Pump Control Board	X	X	X	X	X	X	X	X	X	X	X	X
13	117-289	Control Panel	X	X	X	X	X	X	X	X	X	X	X	X
14	8551-004	Start Device ① PTCR	X			X			X			X		
15	8408-037	Return Air Thermostat	X	X	X	X	X	X	X	X	X	X	X	X
16	117X139	Low Voltage Box	X	X	X	X	X	X	X	X	X	X	X	X
17	8201-126	Phase Monitor		X	X		X	X		X	X		X	X
18	8607-017	Terminal Block ①	X	X	X	X	X	X	X	X	X	X	X	X
20	8201-032	Outdoor Fan Relay			X						X			X
21	8201-113	Dehumidification Logic Board	X	X	X	X	X	X	X	X	X	X	X	X
22	3000-1221	Blower Wire Harness Power	X	X	X	X	X	X	X	X	X	X	X	X
23	3000-1323	Blower Wire Harness Control	X	X	X	X	X	X	X	X	X	X	X	X
NS	4096-150	Wiring Diagram	X			X			X			X		
NS	4096-250	Wiring Diagram		X			X			X			X	
NS	4096-350	Wiring Diagram			X			X			X			X
NS	8615-039	Circuit Breaker 45A 2 Pole (OZ)	X											
NS	8615-040	Circuit Breaker 50A 2 Pole (OZ)				X			X					
NS	8615-044	Circuit Breaker 35A 3 Pole (OZ)		X			X			X				
NS	8615-041	Circuit Breaker 60A 2 Pole (OZ)										X		
NS	8615-043	Circuit Breaker 40A 3 Pole (OZ)											X	
NS	S8615-068	Rotary Disconnect (OZ)			X			X			X			X

NS – Not Shown

① – Optional

BLOWER ASSEMBLY



SEXP-448

Drawing No.	Part No.	Description	S900-272-003	S900-273-008	S900-273-006	S900-273-007
1	5152-011	10-Inch Wheel (CW)	X	X	X	X
2	5152-012	10-Inch Wheel (CCW)	X	X	X	X
3	S8106-041-0065B	1/2 HP Programmed Motor	X			
3	S8107-011-0064A	3/4 HP Programmed Motor		X		
3	S8107-011-0063B	3/4 HP Programmed Motor			X	
3	S8107-011-0070A	3/4 HP Programmed Motor				X
4	C8106-041-0065B	Programmed Motor Control Only	X			
4	C8107-011-0064A	Programmed Motor Control Only		X		
4	C8107-011-0063B	Programmed Motor Control Only			X	
4	C8107-011-0070A	Programmed Motor Control Only				X
5	112-314	Blower Motor Control Bracket	X	X	X	X
6	8200-040	Motor Mount	X	X	X	X
7	5451-011	Grommets	6	6	6	6
8	105-881	Back Brace	X	X	X	X
9	105-880	Side Angle	4	4	4	4
10	103-389	Front Brace	X	X	X	X
11	151-101	Housing	2	2	2	2
12	144-166	Diffuser	2	2	2	2