
WALL MOUNTED PACKAGE HEAT PUMPS

REPLACEMENT PARTS MANUAL

Models: **S38H1** **W38H1**
 S43H1 **W43H1**
 S49H1 **W49H1**
 S61H1 **W61H1**
 S38H1D **S43H1D**
 S49H1D **S61H1D**

General Notes

- Revised and/or additional pages may be issued from time to time.
- A complete and current manual consists of pages shown in the following contents section.

Important

- Contact the installing and/or local Bard distributor for all parts requirements. Make sure you have the complete model and serial number available from the unit rating plates.

Contents

<i>Description</i>	<i>Page</i>
Cabinet Components	
♦ Exploded View	2
♦ Usage List	3, 4 & 5
Functional Components	
♦ Exploded View	6
♦ Usage List	7, 8 & 9
Control Panel	
♦ Layout	10
♦ Usage List	11
Control Panel Components	
♦ Layout	12
♦ Usage List	13
Blower Assembly	
♦ Exploded View	14
♦ Usage List	14



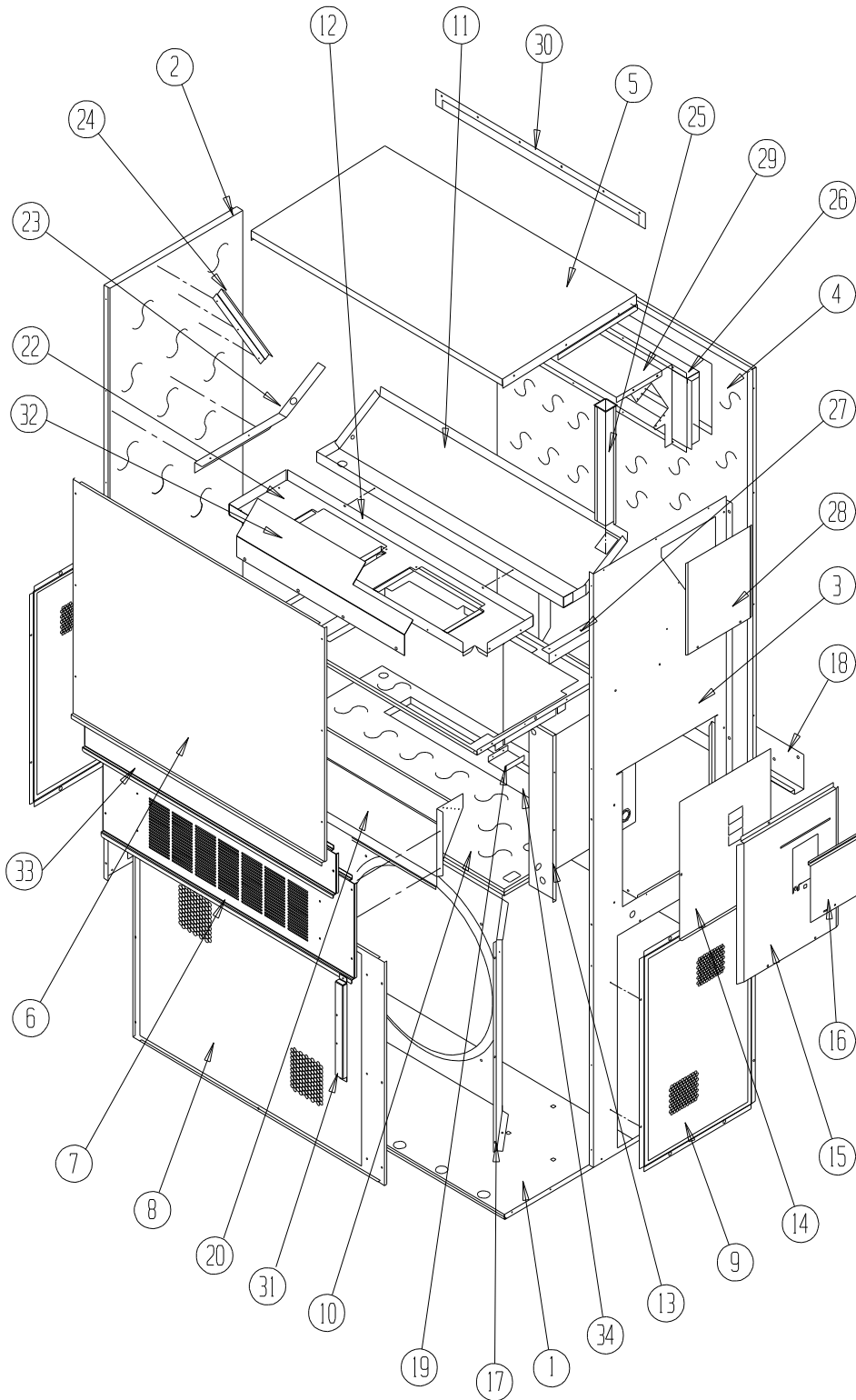
Climate Control Solutions

Bard Manufacturing Company, Inc.
Bryan, Ohio 43506

Since 1914...Moving ahead, just as planned.

Manual: 2110-578H
Supersedes: 2110-578G
File: Tab 17
Date: 04-22-14

CABINET COMPONENTS



SEXP-545

CABINET COMPONENTS

Dwg. No.	Part Number	Description	S38H1-A, B	S38H1-C	S43H1-A, B	S43H1-C	S49H1-A, B	S49H1-C	S61H1-A, B	S61H1-C
1	S127X214	Lower Base	X	X	X	X	X	X	X	X
2	S500-262-* ①	Left Side	X	X	X	X	X	X		
2	S500-316-* ①	Left Side							X	X
3	S500-261-* ①	Right Side	X	X	X	X	X	X		
3	S500-315-* ①	Right Side							X	X
4	S508-098	Back	X	X	X	X	X	X		
4	S508-129	Back							X	X
5	S506-142-* ①	Top	X	X	X	X	X	X	X	X
6	S515-144-* ①	Upper Front	X	X	X	X	X	X	X	X
7	S552-214 ①	Service Door	X	X	X	X	X	X	X	X
8	118-046 ②	Condenser Grille	X	X	X	X	X	X		
8	118-052-* ①	Condenser Grille							X	X
9	118-057-* ①	Side Grille	2	2	2	2	2	2		
9	118-058-* ①	Side Grille							2	2
10	S521X258	Condenser Partition	X	X	X	X	X	X	X	X
11	S123-102	Drain Pan	X	X	X	X	X	X	X	X
12	121X216	Blower Partition	X	X	X	X	X	X	X	X
13	Control Panel Assembly	See Control Panel Assembly Drawing and Parts List Assembly	X	X	X	X	X	X	X	X
14	S132-114	Control Panel Cover (Inner)	X		X		X		X	
14	S132-183	Control Panel Cover (Inner)		X	X		X			X
15	S533-113-* ①	Control Panel Cover (Outer)	X	X	X	X	X	X	X	X
16	S153-218-* ①	Disconnect Access Door	X	X	X	X	X	X	X	X
17	125-024	Fan Shroud	X	X	X	X	X	X		
17	125-029	Fan Shroud							X	X
18	113-140	Bottom Mounting Bracket	X	X	X	X	X	X	X	X
19	137-209	Fill	X	X	X	X	X	X	X	X
20	BFAD-5	Fresh Air Damper Assembly	X	X	X	X	X	X	X	X
22	131X099	Filter Tray	X	X	X	X	X	X	X	X
23	105X877	Left Side Support	X	X	X	X	X	X	X	X
24	147-046	Left Evaporator Support	X	X	X	X	X	X	X	X
25	135-128	Raceway	2	2	2	2	2	2	2	2
26	S111X034	Outlet Air Frame Assembly	X	X	X	X	X	X	X	X
27	105X878	Right Side Support	X	X	X	X	X	X	X	X
28	S143-042-* ①	Right Side Cover Plate (Outer)	X	X	X	X	X	X	X	X
29	135-129	Heat Shield	X	X	X	X	X	X	X	X
30	113-150-* ①	Top Rain Flashing	X	X	X	X	X	X	X	X
32	135-175	Air Baffle	X	X	X	X	X	X	X	X
33	S553-384-* ①	Filter Door Assembly	X	X	X	X	X	X	X	X
34	S536-258	Condenser Part. Blank-Off Plate	X	X	X	X	X	X	X	X

① Exterior cabinet parts are manufactured with various paint color options.
To ensure that you receive the proper paint color, please reference the following codes:

Beige	-X	White	-1	Buckeye Gray	-4
Desert Brown	-5	Dark Bronze	-8		

CABINET COMPONENTS

Dwg. No.	Part Number	Description	W38H1-A, B	W38H1-C	W43H1-A, B	W43H1-C	W49H1-A, B	W49H1-C	W61H1-A, B	W61H1-C
1	S127-299	Lower Base	X	X	X	X	X	X	X	X
2	S500-262-* ①	Left Side	X	X	X	X	X	X		
2	S500-316-* ①	Left Side							X	X
3	S500-261-* ①	Right Side	X	X	X	X	X	X		
3	S500-315-* ①	Right Side							X	X
4	S508-098	Back	X	X	X	X	X	X		
4	S508-129	Back							X	X
5	S506-142-* ①	Top	X	X	X	X	X	X	X	X
6	S515-144-* ①	Upper Front	X	X	X	X	X	X	X	X
7	S552-211 ①	Service Door	X	X	X	X	X	X	X	X
8	118-054 ①	Condenser Grille	X	X	X	X	X	X		
8	118-055-* ①	Condenser Grille							X	X
9	118-057-* ①	Side Grille	2	2	2	2	2	2		
9	118-058-* ①	Side Grille							2	2
10	S521X258	Condenser Partition	X	X	X	X	X	X	X	X
11	S123-102	Drain Pan	X	X	X	X	X	X	X	X
12	121X216	Blower Partition	X	X	X	X	X	X	X	X
13	Control Panel Assembly	See Control Panel Assembly Drawing and Parts List Assembly	X	X	X	X	X	X	X	X
14	S132-114	Control Panel Cover (Inner)	X		X		X		X	
14	S132-183	Control Panel Cover (Inner)		X		X		X		X
15	S533-113-* ①	Control Panel Cover (Outer)	X	X	X	X	X	X	X	X
16	S153-322-* ①	Disconnect Access Door	X	X	X	X	X	X	X	X
17	125-036	Fan Shroud	X	X	X	X	X	X		
17	125-038	Fan Shroud							X	X
18	113-140	Bottom Mounting Bracket	X	X	X	X	X	X	X	X
19	137-209	Fill	X	X	X	X	X	X	X	X
20	BFAD-5	Fresh Air Damper Assembly	X	X	X	X	X	X	X	X
22	131X099	Filter Tray	X	X	X	X	X	X	X	X
23	105X877	Left Side Support	X	X	X	X	X	X	X	X
24	147-046	Left Evaporator Support	X	X	X	X	X	X	X	X
25	135-128	Raceway	2	2	2	2	2	2	2	2
26	S111X034	Outlet Air Frame Assembly	X	X	X	X	X	X	X	X
27	105X878	Right Side Support	X	X	X	X	X	X	X	X
28	S143-042-* ①	Right Side Cover Plate (Outer)	X	X	X	X	X	X	X	X
29	135-129	Heat Shield	X	X	X	X	X	X	X	X
30	113-150-* ①	Top Rain Flashing	X	X	X	X	X	X	X	X
31	113-259-* ①	Thermostat Shield	X	X	X	X	X	X	X	X
32	135-175	Air Baffle	X	X	X	X	X	X	X	X
33	S553-384-* ①	Filter Door Assembly	X	X	X	X	X	X	X	X

① Exterior cabinet parts are manufactured with various paint color options.

To ensure that you receive the proper paint color, please reference the following codes:

Beige	-X	White	-1	Buckeye Gray	-4
Desert Brown	-5	Dark Bronze	-8		

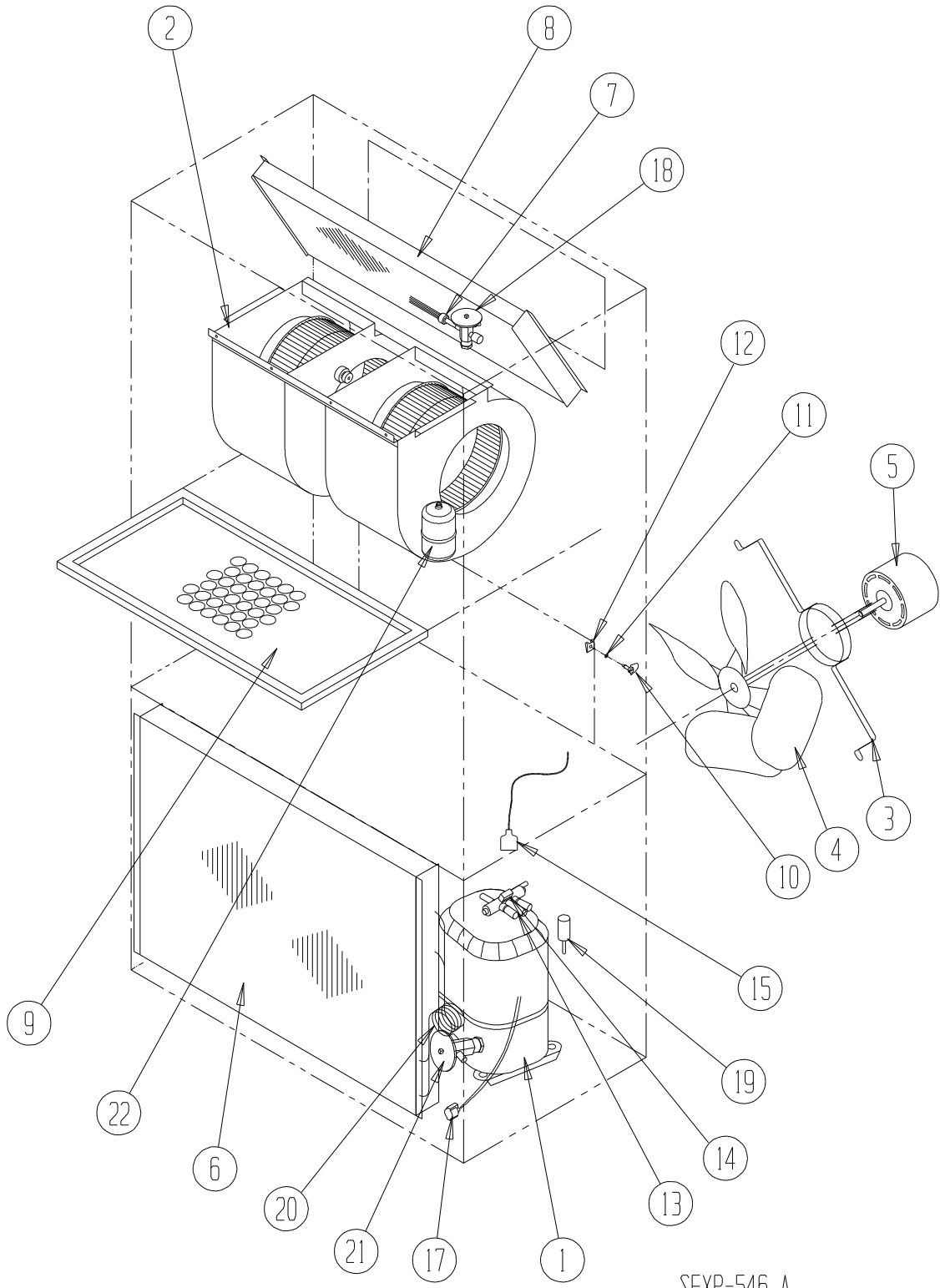
CABINET COMPONENTS

Dwg. No.	Part Number	Description	S38H1DA, B	S38H1DC	S43H1DA, B	S43H1DC	S49H1DA, B	S49H1DC	S61H1DA, B	S61H1DC
1	S127X214	Lower Base	X	X	X	X	X	X	X	X
2	S500-262-* ①	Left Side	X	X	X	X	X	X		
2	S500-316-* ①	Left Side							X	X
3	S500-261-* ①	Right Side	X	X	X	X	X	X		
3	S500-315-* ①	Right Side							X	X
4	S508-098	Back	X	X	X	X	X	X		
4	S508-129	Back							X	X
5	S506-142-* ①	Top	X	X	X	X	X	X	X	X
6	S515-144-* ①	Upper Front	X	X	X	X	X	X	X	X
7	S552-224-* ①	Service Door	X	X	X	X	X	X	X	X
8	118-048-* ①	Condenser Grille	X	X	X	X	X	X		
8	118-052-* ①	Condenser Grille							X	X
9	118-057-* ①	Side Grille	2	2	2	2	2	2		
9	118-058-* ①	Side Grille							2	2
10	S521X258	Condenser Partition	X	X	X	X	X	X	X	X
11	S123-102	Drain Pan	X	X	X	X	X	X	X	X
12	121X216	Blower Partition	X	X	X	X	X	X	X	X
13	Control Panel Assembly	See Control Panel Assembly Drawing and Parts List Assembly	X	X	X	X	X	X	X	X
14	S132-114	Control Panel Cover (Inner)	X		X		X		X	
14	S132-183	Control Panel Cover (Inner)		X		X		X		X
15	S533-113-* ①	Control Panel Cover (Outer)	X	X	X	X	X	X	X	X
16	S153-218-* ①	Disconnect Access Door	X	X	X	X	X	X	X	X
17	125-024	Fan Shroud	X	X	X	X	X	X		
17	125-029	Fan Shroud							X	X
18	113-140	Bottom Mounting Bracket	X	X	X	X	X	X	X	X
19	137-209	Fill	X	X	X	X	X	X	X	X
20	BFAD-5	Fresh Air Damper Assembly	X	X	X	X	X	X	X	X
22	131X099	Filter Tray	X	X	X	X	X	X	X	X
23	105X877	Left Side Support	X	X	X	X	X	X	X	X
24	147-046	Left Evaporator Support	X	X	X	X	X	X	X	X
25	135-128	Raceway	2	2	2	2	2	2	2	2
26	S111X034	Outlet Air Frame Assembly	X	X	X	X	X	X	X	X
27	105X878	Right Side Support	X	X	X	X	X	X	X	X
28	S143-042-* ①	Right Side Cover Plate (Outer)	X	X	X	X	X	X	X	X
29	135-129	Heat Shield	X	X	X	X	X	X	X	X
30	113-150-* ①	Top Rain Flashing	X	X	X	X	X	X	X	X
32	135-175	Air Baffle	X	X	X	X	X	X	X	X
33	S553-384-* ①	Filter Door Assembly	X	X	X	X	X	X	X	X
34	S536-258	Condenser Part. Blank-Off Plate	X	X	X	X	X	X	X	X

① Exterior cabinet parts are manufactured with various paint color options.
To ensure that you receive the proper paint color, please reference the following codes:

Beige	-X	White	-1	Buckeye Gray	-4
Desert Brown	-5	Dark Bronze	-8		

FUNCTIONAL COMPONENTS



SEXP-546 A

FUNCTIONAL COMPONENTS

Dwg. No.	Part Number	Description	S38H1-A	S38H1-B	S38H1-C	S43H1-A	S43H1-B	S43H1-C	S49H1-A	S49H1-B	S49H1-C	S61H1-A	S61H1-B	S61H1-C
1	8000-309	Compressor	X											
1	8000-310	Compressor		X										
1	8000-311	Compressor			X									
1	8000-349	Compressor				X								
1	8000-350	Compressor					X							
1	8000-351	Compressor						X						
1	8000-343	Compressor							X					
1	8000-344	Compressor								X				
1	8000-345	Compressor									X			
1	8000-324	Compressor										X		
1	8000-325	Compressor											X	
1	8000-326	Compressor												X
2	S900-272-003	Blower Assembly	X	X	X									
2	S900-273-008	Blower Assembly				X	X	X						
2	S900-273-007	Blower Assembly							X	X	X			
2	S900-273-006	Blower Assembly										X	X	X
3	8200-004	Fan Motor Mount	X	X	X	X	X	X	X	X	X	X	X	X
4	5151-027	Fan Blade	X	X	X	X	X	X	X	X	X	X	X	X
5	8105-039	Condenser Motor	X	X		X	X	X	X	X		X	X	
5	8105-030	Condenser Motor			X		X				X			X
6	5051-107BX	Condenser Coil	X	X	X	X	X	X						
6	5051-077BX	Condenser Coil							X	X	X			
6	5051-160BX	Condenser Coil										X	X	X
7	800-0342	Cooling Distributor Assembly	X	X	X									
7	800-0287	Cooling Distributor Assembly				X	X	X						
7	800-0288	Cooling Distributor Assembly							X	X	X	X	X	X
8	5060-070BX	Evaporator Coil	X	X	X									
8	5060-138BX	Evaporator Coil				X	X	X						
8	5060-082BX	Evaporator Coil							X	X	X			
8	917-0107BX	Evaporator Coil										X	X	X
9	7004-016	Air Filter 1" Throw Away	X	X	X	X	X	X	X	X	X	X	X	X
9	7003-030	Air Filter 1" Washable ①	X	X	X	X	X	X	X	X	X	X	X	X
9	7004-027	Air Filter 2" Pleated ①	X	X	X	X	X	X	X	X	X	X	X	X
10	1171-022	1/4" Turn Fastener	X	X	X	X	X	X	X	X	X	X	X	X
11	1171-024	1/4" Turn Retainer	X	X	X	X	X	X	X	X	X	X	X	X
12	1171-023	1/4" Receptacle	X	X	X	X	X	X	X	X	X	X	X	X
13	5650-039	Reversing Valve with 24V Solenoid Coil	X	X	X	X	X	X						
13	5650-040	Reversing Valve with 24V Solenoid Coil							X	X	X	X	X	X
14	5650-042	Rev. Valve Solenoid, Red Casing (Ranco)	X	X	X	X	X	X	X	X	X	X	X	X
14	5650-043	Rev. Valve Solenoid, Black Casing (Wilspec)	X	X	X	X	X	X	X	X	X	X	X	X
14	5650-046	Rev. Valve Solenoid, Black Casing (San Hua)	X	X	X	X	X	X	X	X	X	X	X	X
15	5650-037	Molded Plug 36" Lead	X	X	X	X	X	X	X	X	X	X	X	X
17	8620-224	Defrost Sensor	X	X	X	X	X	X	X	X	X	X	X	X
18	5651-174	Expansion Valve Cooling	X	X	X									
18	5651-178	Expansion Valve Cooling				X	X	X						
18	5651-198	Expansion Valve Cooling							X	X	X			
18	5651-199	Expansion Valve Cooling										X	X	X
19	1804-0385	High Pressure Switch (Flare) ①	X	X	X	X	X	X	X	X	X	X	X	X
20	800-0210	Heating Distributor Assembly	X	X	X	X	X	X						
20	800-0399	Heating Distributor Assembly							X	X	X			
20	800-0343	Heating Distributor										X	X	X
21	5651-178	Expansion Valve Heating	X	X	X	X	X	X	X	X	X			
21	5651-184	Expansion Valve Heating										X	X	X
22	5201-010	Filter Drier	X	X	X	X	X	X	X	X	X	X	X	X
NS	1804-0107	Low Pressure Switch (Flare) ①	X	X	X	X	X	X	X	X	X			
NS	CMH-20	Low Ambient Control (Flare) ①	X	X	X	X	X	X	X	X	X			
NS	3000-1222	Molded Compressor Plug										X		
NS	3000-1230	Molded Compressor Plug											X	X
NS	3000-1224	Molded Compressor Plug	X			X			X					
NS	3000-1231	Molded Compressor Plug		X	X		X	X		X	X			

NS – Not Shown

① – Optional

FUNCTIONAL COMPONENTS

Dwg. No.	Part Number	Description	W38H1-A	W38H1-B	W38H1-C	W43H1-A	W43H1-B	W43H1-C	W49H1-A	W49H1-B	W49H1-C	W61H1-A	W61H1-B	W61H1-C
1	8000-309	Compressor	X											
1	8000-310	Compressor		X										
1	8000-311	Compressor			X									
1	8000-349	Compressor				X								
1	8000-350	Compressor					X							
1	8000-351	Compressor						X						
1	8000-343	Compressor							X					
1	8000-344	Compressor								X				
1	8000-345	Compressor									X			
1	8000-324	Compressor										X		
1	8000-325	Compressor											X	
1	8000-326	Compressor												X
2	S900-272-003	Blower Assembly	X	X	X									
2	S900-273-008	Blower Assembly				X	X	X						
2	S900-273-007	Blower Assembly							X	X	X			
2	S900-273-006	Blower Assembly										X	X	X
3	8200-004	Fan Motor Mount	X	X	X	X	X	X	X	X	X	X	X	X
4	5151-054	Fan Blade	X	X	X	X	X	X	X	X	X	X	X	X
5	8105-039	Condenser Motor	X	X		X	X	X	X	X		X	X	
5	8105-030	Condenser Motor			X		X				X			X
6	5051-107BX	Condenser Coil	X	X	X	X	X	X						
6	5051-077BX	Condenser Coil							X	X	X			
6	5051-130BX	Condenser Coil										X	X	X
7	800-0342	Cooling Distributor Assembly	X	X	X									
7	800-0287	Cooling Distributor Assembly				X	X	X						
7	800-0288	Cooling Distributor Assembly							X	X	X	X	X	X
8	5060-070BX	Evaporator Coil	X	X	X									
8	5060-138BX	Evaporator Coil				X	X	X						
8	5060-082BX	Evaporator Coil							X	X	X			
8	917-0107BX	Evaporator Coil										X	X	X
9	7004-016	Air Filter 1" Throw Away	X	X	X	X	X	X	X	X	X	X	X	X
9	7003-030	Air Filter 1" Washable ①	X	X	X	X	X	X	X	X	X	X	X	X
9	7004-027	Air Filter 2" Pleated ①	X	X	X	X	X	X	X	X	X	X	X	X
10	1171-022	1/4" Turn Fastener	X	X	X	X	X	X	X	X	X	X	X	X
11	1171-024	1/4" Turn Retainer	X	X	X	X	X	X	X	X	X	X	X	X
12	1171-023	1/4" Receptacle	X	X	X	X	X	X	X	X	X	X	X	X
13	5650-039	Reversing Valve with 24V Solenoid Coil	X	X	X	X	X	X						
13	5650-040	Reversing Valve with 24V Solenoid Coil							X	X	X	X	X	X
14	5650-042	Rev. Valve Solenoid, Red Casing (Ranco)	X	X	X	X	X	X	X	X	X	X	X	X
14	5650-043	Rev. Valve Solenoid, Black Casing (Wilspec)	X	X	X	X	X	X	X	X	X	X	X	X
14	5650-046	Rev. Valve Solenoid, Black Casing (San Hua)	X	X	X	X	X	X	X	X	X	X	X	X
15	5650-037	Molded Plug 36" Lead	X	X	X	X	X	X	X	X	X	X	X	X
17	8620-224	Defrost Sensor	X	X	X	X	X	X	X	X	X	X	X	X
18	5651-174	Expansion Valve Cooling	X	X	X									
18	5651-178	Expansion Valve Cooling				X	X	X						
18	5651-198	Expansion Valve Cooling							X	X	X			
18	5651-199	Expansion Valve Cooling										X	X	X
19	1804-0385	High Pressure Switch (Flare) ①	X	X	X	X	X	X	X	X	X	X	X	X
20	800-0210	Heating Distributor Assembly	X	X	X	X	X	X						
20	800-0399	Heating Distributor Assembly							X	X	X			
20	800-0343	Heating Distributor										X	X	X
21	5651-178	Expansion Valve Heating	X	X	X	X	X	X	X	X	X			
21	5651-184	Expansion Valve Heating										X	X	X
22	5201-010	Filter Drier	X	X	X	X	X	X	X	X	X	X	X	X
NS	1804-0107	Low Pressure Switch (Flare) ①	X	X	X	X	X	X	X	X	X			
NS	CMH-20	Low Ambient Control (Flare) ①	X	X	X	X	X	X	X	X	X			
NS	3000-1222	Molded Compressor Plug										X		
NS	3000-1230	Molded Compressor Plug											X	X
NS	3000-1224	Molded Compressor Plug	X			X			X					
NS	3000-1231	Molded Compressor Plug		X	X	X	X		X	X				

NS – Not Shown

① – Optional

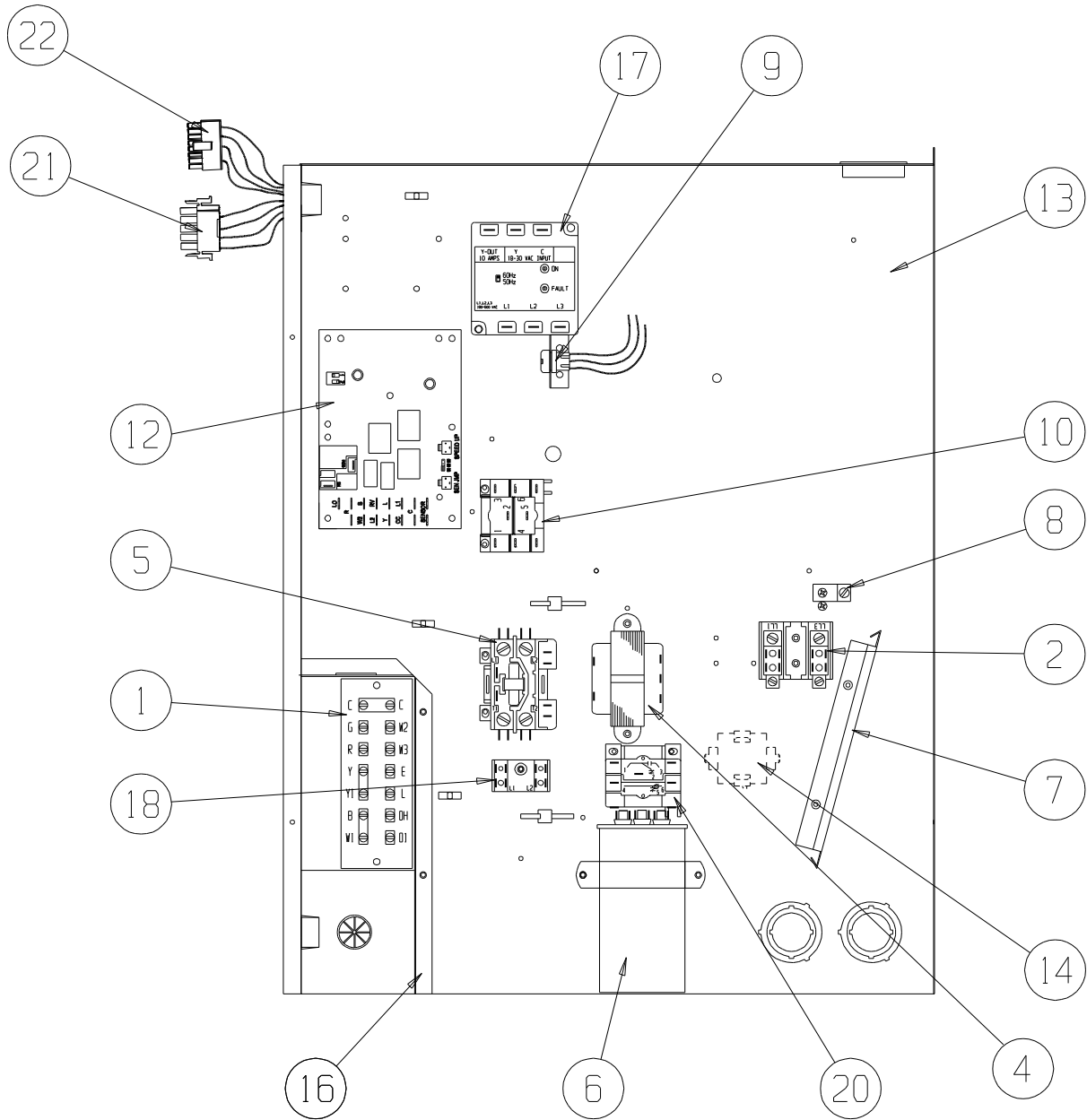
FUNCTIONAL COMPONENTS

Dwg. No.	Part Number	Description	S38H1DA	S38H1DB	S38H1DC	S43H1DA	S43H1DB	S43H1DC	S49H1DA	S49H1DB	S49H1DC	S61H1DA	S61H1DB	S61H1DC
1	8000-309	Compressor	X											
1	8000-310	Compressor		X										
1	8000-311	Compressor			X									
1	8000-349	Compressor				X								
1	8000-350	Compressor					X							
1	8000-351	Compressor						X						
1	8000-343	Compressor							X					
1	8000-344	Compressor								X				
1	8000-345	Compressor									X			
1	8000-324	Compressor										X		
1	8000-325	Compressor											X	
1	8000-326	Compressor												X
2	S900-272-003	Blower Assembly	X	X	X									
2	S900-273-008	Blower Assembly				X	X	X						
2	S900-273-007	Blower Assembly							X	X	X			
2	S900-273-006	Blower Assembly										X	X	X
3	8200-004	Fan Motor Mount	X	X	X	X	X	X	X	X	X	X	X	X
4	5151-027	Fan Blade	X	X	X	X	X	X	X	X	X	X	X	X
5	8105-039	Condenser Motor	X	X		X	X		X	X		X	X	
5	8105-030	Condenser Motor			X			X			X			X
6	5051-107BX	Condenser Coil	X	X	X	X	X	X						
6	5051-077BX	Condenser Coil							X	X	X			
6	5051-130BX	Condenser Coil										X	X	X
7	800-0342	Cooling Distributor Assembly	X	X	X									
7	800-0287	Cooling Distributor Assembly				X	X	X						
7	800-0288	Cooling Distributor Assembly							X	X	X	X	X	X
8	917-0042BX	Evaporator Coil Assembly	X	X	X									
8	917-0130BX	Evaporator Coil Assembly				X	X	X						
8	917-0044BX	Evaporator Coil Assembly							X	X	X			
8	917-0108BX	Evaporator Coil Assembly										X	X	X
9	7004-016	Air Filter 1" Throw Away	X	X	X	X	X	X	X	X	X	X	X	X
9	7003-030	Air Filter 1" Washable ①	X	X	X	X	X	X	X	X	X	X	X	X
9	7004-027	Air Filter 2" Pleated ①	X	X	X	X	X	X	X	X	X	X	X	X
10	1171-022	1/4" Turn Fastener	X	X	X	X	X	X	X	X	X	X	X	X
11	1171-024	1/4" Turn Retainer	X	X	X	X	X	X	X	X	X	X	X	X
12	1171-023	1/4" Receptacle	X	X	X	X	X	X	X	X	X	X	X	X
13	5650-039	Reversing Valve with 24V Solenoid Coil	X	X	X	X	X	X						
13	5650-040	Reversing Valve with 24V Solenoid Coil							X	X	X	X	X	X
14	5650-042	Rev. Valve Solenoid, Red Casing (Ranco)	X	X	X	X	X	X	X	X	X	X	X	X
14	5650-043	Rev. Valve Solenoid, Black Casing (Wilspec)	X	X	X	X	X	X	X	X	X	X	X	X
14	5650-046	Rev. Valve Solenoid, Black Casing (San Hua)	X	X	X	X	X	X	X	X	X	X	X	X
15	5650-037	Molded Plug 36" Lead	X	X	X	X	X	X	X	X	X	X	X	X
17	8620-224	Defrost Sensor	X	X	X	X	X	X	X	X	X	X	X	X
18	5651-174	Expansion Valve Cooling	X	X	X									
18	5651-178	Expansion Valve Cooling				X	X	X						
18	5651-198	Expansion Valve Cooling							X	X	X			
18	5651-199	Expansion Valve Cooling										X	X	X
19	1804-0385	High Pressure Switch (Flare) ①	X	X	X	X	X	X	X	X	X	X	X	X
20	800-0210	Heating Distributor Assembly	X	X	X	X	X	X						
20	800-0399	Heating Distributor Assembly							X	X	X			
20	800-0343	Heating Distributor										X	X	X
21	5651-178	Expansion Valve Heating	X	X	X	X	X	X	X	X	X			
21	5651-184	Expansion Valve Heating										X	X	X
22	5201-010	Filter Drier	X	X	X	X	X	X	X	X	X	X	X	X
NS	1804-0167	Low Pressure Switch (Flare) ①	X	X	X	X	X	X	X	X	X			
NS	CMH-20	Low Ambient Control (Flare) ①	X	X	X	X	X	X	X	X	X			
NS	3000-1222	Molded Compressor Plug										X		
NS	3000-1230	Molded Compressor Plug											X	X
NS	3000-1224	Molded Compressor Plug	X			X			X					
NS	3000-1231	Molded Compressor Plug		X	X		X	X		X	X			
NS	5625-043	Flow Control (Orifice)	X	X	X	X	X	X	X	X	X	X	X	X
NS	5650-045	3-Way Valve with 24V Solenoid Coil	X	X	X	X	X	X	X	X	X	X	X	X

NS – Not Shown

① – Optional

CONTROL PANEL



SEXP-551 A

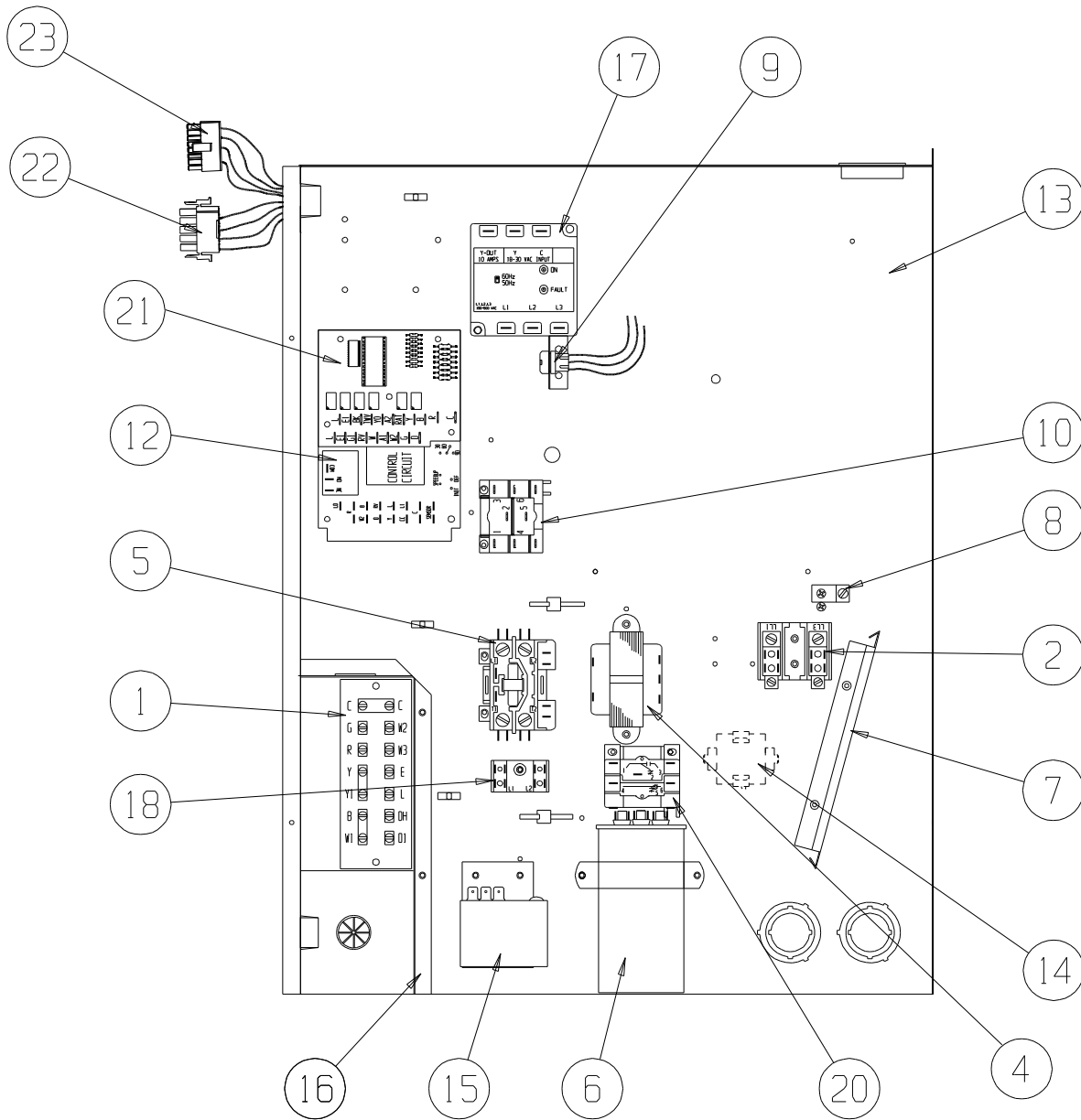
CONTROL PANEL

Dwg. No.	Part Number	Description	S38H1-A, W38H1-A	S38H1-B, W38H1-B	S38H1-C, W38H1-C	S43H1-A, W43H1-A	S43H1-B, W43H1-B	S43H1-C, W43H1-C	S49H1-A, W49H1-A	S49H1-B, W49H1-B	S49H1-C, W49H1-C	S61H1-A, W60H1-A	S61H1-B, W60H1-B	S61H1-C, W60H1-C
1	8607-019	Low Voltage Terminal Strip	X	X	X	X	X	X	X	X	X	X	X	X
2	8607-013	Terminal Block 2 Pole	X			X			X			X		
2	8607-014	Terminal Block 3 Pole		X	X		X	X		X	X		X	X
2	8607-015	Phenolic Insulator			X			X			X			X
4	8407-048	Transformer	X	X		X	X		X	X		X	X	
4	8407-042	Transformer			X			X			X			X
5	8401-002	Compressor Contactor		X	X		X	X		X	X		X	X
5	8401-016	Compressor Contactor	X			X			X			X		
6	8552-005	Outdoor Motor Capacitor		X			X			X			X	
6	8552-079	Compressor Capacitor	X			X								
6	8552-089	Compressor Capacitor							X					
6	8552-058	Compressor Capacitor										X		
6	8552-026	Compressor Capacitor			X			X			X			X
7	135-130	Wire Shield	X	X	X	X	X	X	X	X	X	X	X	X
8	8611-006	Ground Terminal	X	X	X	X	X	X	X	X	X	X	X	X
9	3000-1324	6 Pin Connector	X	X	X	X	X	X	X	X	X	X	X	X
10	8201-086	Low Ambient Bypass Relay ①	X	X	X	X	X	X	X	X	X	X	X	X
12	1171-023	1/4" Receptacle	X	X	X	X	X	X	X	X	X	X	X	X
13	117-289	Control Panel	X	X	X	X	X	X	X	X	X	X	X	X
14	8551-004	Start Device ① PTCR	X			X			X			X		
16	117X139	Low Voltage Box	X	X	X	X	X	X	X	X	X	X	X	X
17	8201-126	Phase Monitor		X	X		X	X		X	X		X	X
18	8607-017	Terminal Block ①	X	X	X	X	X	X	X	X	X	X	X	X
20	8201-032	Outdoor Fan Relay			X			X			X			X
21	3000-1221	Blower Motor Wire Harness Power	X	X	X	X	X	X	X	X	X	X	X	X
22	3000-1323	Blower Motor Wire Harness Control	X	X	X	X	X	X	X	X	X	X	X	X
NS	4096-149	Wiring Diagram	X			X			X			X		
NS	4096-249	Wiring Diagram		X			X			X			X	
NS	4096-349	Wiring Diagram			X			X			X			X
NS	8615-039	Circuit Breaker 45A 2 Pole (0Z)	X											
NS	8615-040	Circuit Breaker 50A 2 Pole (0Z)				X								
NS	8615-044	Circuit Breaker 35A 3 Pole (0Z)		X			X			X				
NS	8615-041	Circuit Breaker 60A 2 Pole (0Z)										X		
NS	8615-043	Circuit Breaker 40A 3 Pole (0Z)											X	
NS	S8615-068	Rotary Disconnect (0Z)			X			X			X			X
NS	8614-041	Fuse Block			X			X			X			X
NS	8614-046	5A Class CC Fuse			2			2			2			2

NS – Not Shown

① – Optional

CONTROL PANEL COMPONENTS



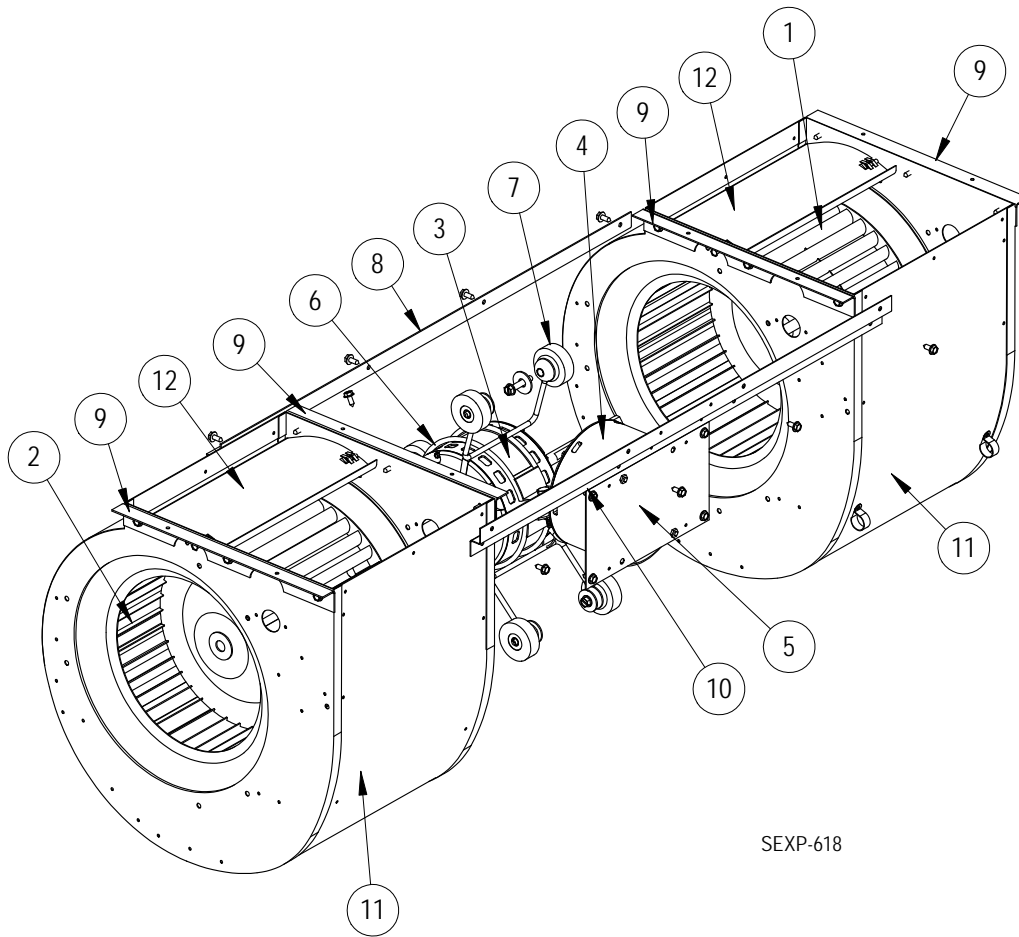
SEXP-552 A

CONTROL PANEL

Dwg. No.	Part Number	Description	S38H1DA	S38H1DB	S38H1DC	S43H1DA	S43H1DB	S43H1DC	S49H1DA	S49H1DB	S49H1DC	S61H1DA	S61H1DB	S61H1DC
1	8607-019	Low Voltage Terminal Strip	X	X	X	X	X	X	X	X	X	X	X	X
2	8607-013	Terminal Block 2 Pole	X			X			X			X		
2	8607-014	Terminal Block 3 Pole		X	X		X	X		X	X		X	X
2	8607-015	Phenolic Insulator			X			X			X			X
4	8407-048	Transformer	X	X		X	X		X	X		X	X	
4	8407-050	Transformer			X			X			X			X
5	8401-002	Compressor Contactor		X	X		X	X		X	X		X	X
5	8401-016	Compressor Contactor	X			X			X			X		
6	8552-005	Outdoor Motor Capacitor		X	X		X			X			X	
6	8552-079	Compressor Capacitor	X			X								
6	8552-089	Compressor Capacitor							X					
6	8552-058	Compressor Capacitor										X		
6	8552-026	Compressor Capacitor			X			X			X			X
7	135-130	Wire Shield	X	X	X	X	X	X	X	X	X	X	X	X
8	8611-006	Ground Terminal	X	X	X	X	X	X	X	X	X	X	X	X
9	3000-1344	6 Pin Connector	X	X	X	X	X	X	X	X	X	X	X	X
10	8201-086	Low Ambient Bypass Relay ①	X	X	X	X	X	X	X	X	X	X	X	X
12	8620-223	Heat Pump Control Board	X	X	X	X	X	X	X	X	X	X	X	X
13	117-289	Control Panel	X	X	X	X	X	X	X	X	X	X	X	X
14	8551-004	Start Device ① PTCR	X			X			X			X		
15	8408-037	Return Air Thermostat	X	X	X	X	X	X	X	X	X	X	X	X
16	117X139	Low Voltage Box	X	X	X	X	X	X	X	X	X	X	X	X
17	8201-126	Phase Monitor		X	X		X	X		X	X		X	X
18	8607-017	Terminal Block ①	X	X	X	X	X	X	X	X	X	X	X	X
20	8201-032	Outdoor Fan Relay			X						X			X
21	8201-113	Dehumidification Logic Board	X	X	X	X	X	X	X	X	X	X	X	X
22	3000-1221	Blower Motor Wire Harness Power	X	X	X	X	X	X	X	X	X	X	X	X
23	3000-1323	Blower Motor Wire Harness Control	X	X	X	X	X	X	X	X	X	X	X	X
NS	4096-150	Wiring Diagram	X			X			X			X		
NS	4096-250	Wiring Diagram		X			X			X			X	
NS	4096-350	Wiring Diagram			X			X			X			X
NS	8615-039	Circuit Breaker 45A 2 Pole (0Z)	X											
NS	8615-040	Circuit Breaker 50A 2 Pole (0Z)				X			X					
NS	8615-044	Circuit Breaker 35A 3 Pole (0Z)		X			X			X				
NS	8615-041	Circuit Breaker 60A 2 Pole (0Z)										X		
NS	8615-043	Circuit Breaker 40A 3 Pole (0Z)											X	
NS	S8615-068	Rotary Disconnect (0Z)			X			X			X			X
NS	8614-041	Fuse Block			X			X			X			X
NS	8614-046	5A Class CC Fuse			2			2			2			2

NS - Not Shown
 ① - Optional

BLOWER ASSEMBLY



SEXP-618

Dwg. No.	Part Number	Description	S900-272-003	S900-273-008	S900-273-006	S900-273-007
1	5152-011	10-Inch Wheel (CW)	X	X	X	X
2	5152-012	10-Inch Wheel (CCW)	X	X	X	X
3	S8106-052-0065B	1/2 HP Programmed Motor	X			
3	S8107-017-0064A	3/4 HP Programmed Motor		X		
3	S8107-017-0063B	3/4 HP Programmed Motor			X	
3	S8107-017-0070A	3/4 HP Programmed Motor				X
4	C8106-052-0065B	Programmed Motor Control Only	X			
4	C8107-017-0064A	Programmed Motor Control Only		X		
4	C8107-017-0063B	Programmed Motor Control Only			X	
4	C8107-017-0070A	Programmed Motor Control Only				X
5	112-344	Blower Motor Control Bracket	X	X	X	X
6	8200-040	Motor Mount	X	X	X	X
7	5451-011	Grommets	6	6	6	6
8	105-881	Back Brace	X	X	X	X
9	105-880	Side Angle	4	4	4	4
10	103-389	Front Brace	X	X	X	X
11	151-101	Housing	2	2	2	2
12	144-166	Diffuser	2	2	2	2