

REPLACEMENT PARTS MANUAL

I-TEC SERIES PACKAGED HEAT PUMP

Models:

I30H1
I30H1D

I36H1
I36H1D

I42H1
I42H1D

I48H1
I48H1D

I60H1
I60H1D

General Notes

- Revised and/or additional pages may be issued from time to time.
- A complete and current manual consists of pages shown in the following contents section.

Important

- Contact the installing and/or local Bard distributor for all parts requirements. Make sure you have the complete model and serial number available from the unit rating plates.

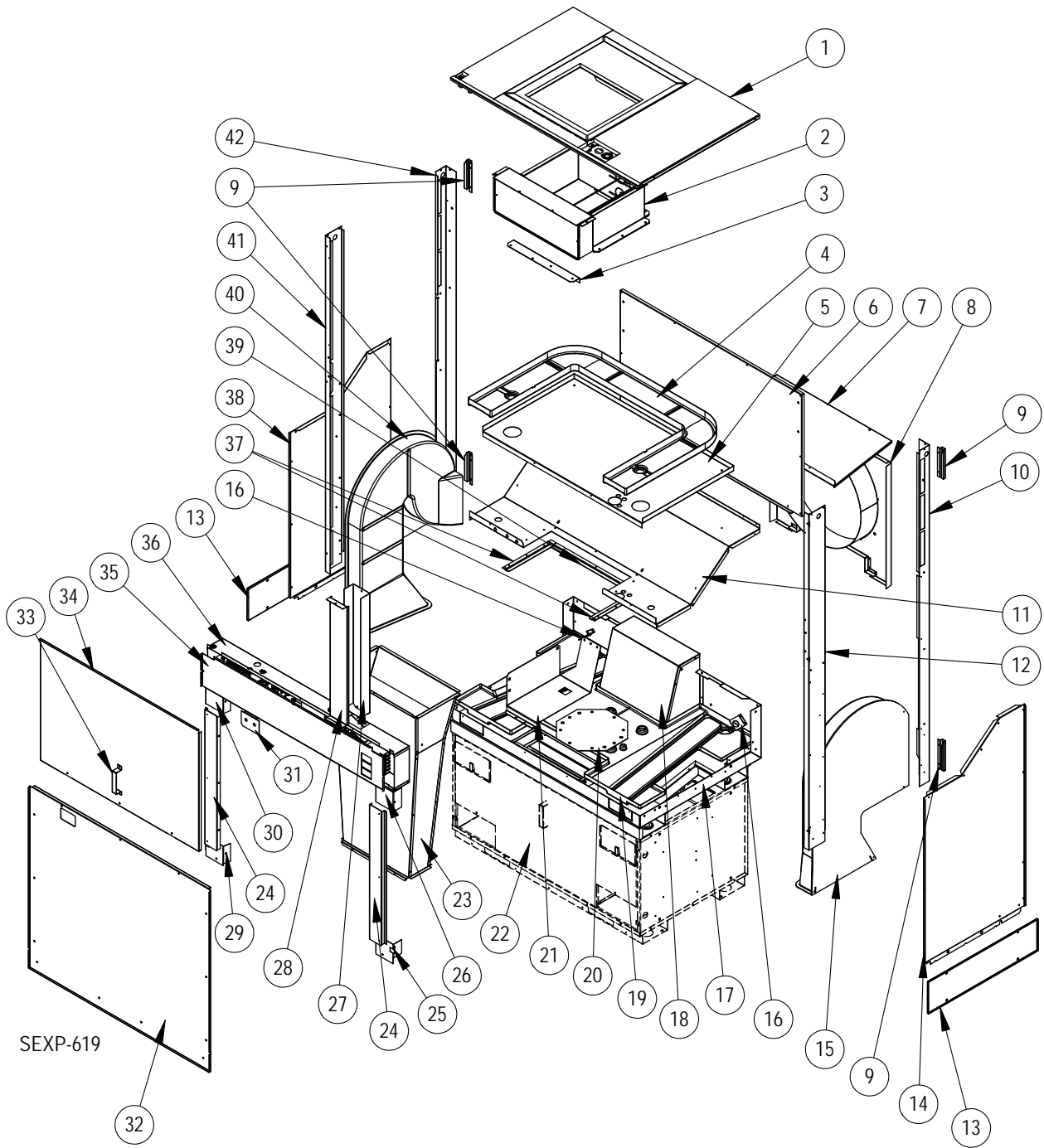
Description	Page
Cabinet Components	
♦ Exploded View	2
♦ Usage List	3
Painted Cabinet Components	
♦ Exploded View	4
♦ Usage List	5
Functional Components	
♦ Exploded View	6
♦ Usage List	7
♦ Usage List	8
Blower Assembly	
♦ Exploded View	9
♦ Usage List	9
Control Panel Components - 1 Phase	
♦ Exploded View	10
♦ Usage List	11
Control Panel Components - 3 Phase	
♦ Exploded View	12
♦ Usage List	13
Control Panel Components - 460V 3 Phase	
♦ Exploded View	14
♦ Usage List	15
Electric Heater Components	
♦ Exploded View	16
♦ Usage List	17
♦ Usage List	18
♦ Usage List	19
Vent Box (Only) Components	
♦ Exploded View	20
♦ Usage List	21
CRV Components	
♦ Exploded View	22
♦ Usage List	23
ERV Components	
♦ Exploded View	24
♦ Usage List	25
ERV Control Panel Components	
♦ Exploded View	26
♦ Usage List	27
ERV Cassette Components	
♦ Exploded View	28
♦ Usage List	29
CRV / ERV Blower Components	
♦ Exploded View	30
♦ Usage List	31
Sleeve Components	
♦ Exploded View	32
♦ Usage List	33
Riser Platform Components	
♦ Exploded View	34
♦ Usage List	35



Bard Manufacturing Company, Inc.
Bryan, Ohio 43506
Since 1914...Moving ahead, just as planned.

Manual: 2110-585A
Supersedes: 2110-585
File: Tab 16
Date: 01-11-12
REVISED: 1-19-23

CABINET COMPONENTS

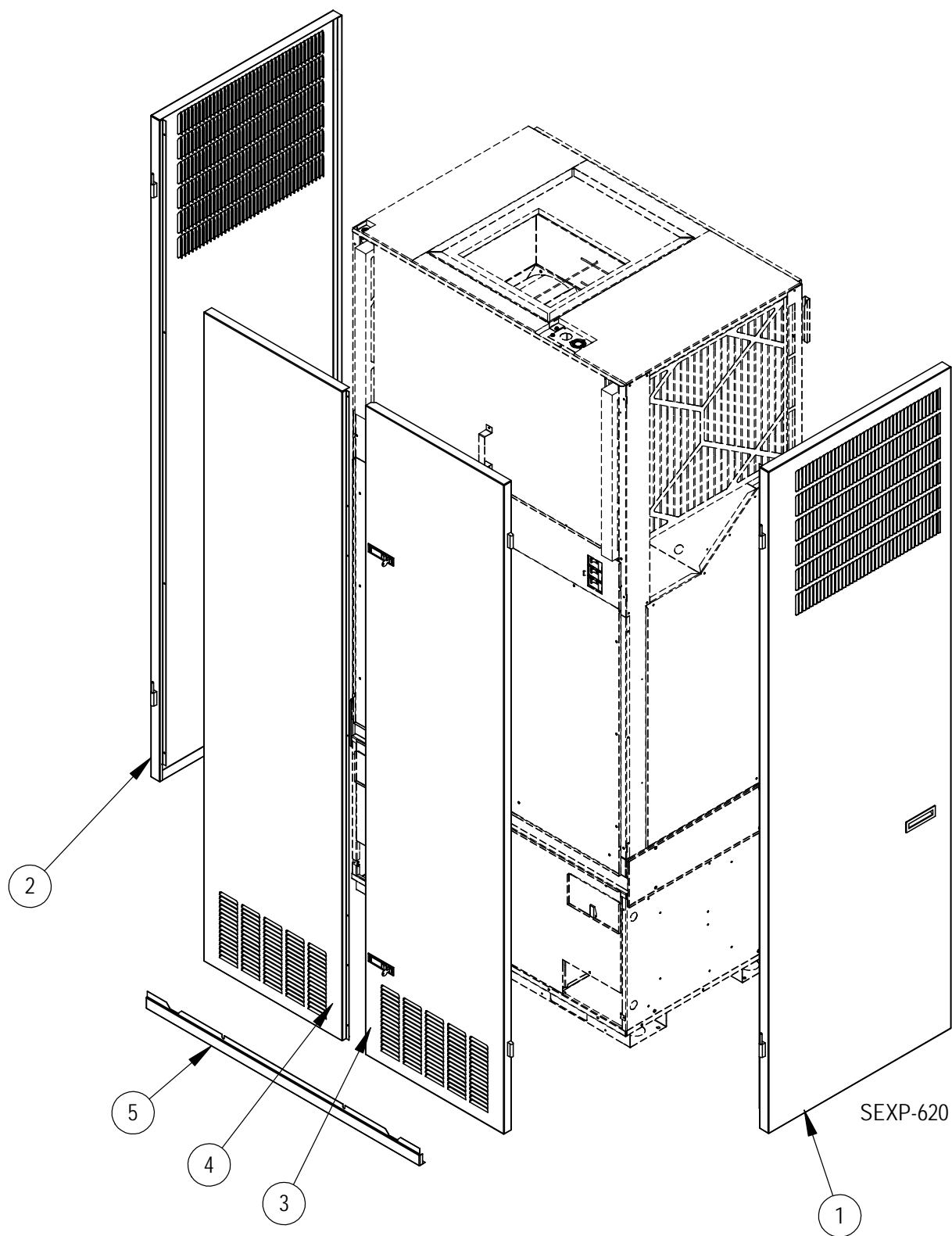


CABINET COMPONENTS

Drawing No.	Part Number	Description	All Models
1	S507-296	Top Assembly	X
2	See Heater Pkg. Section	Heater Package	X
3	105-1256	Front blower angle	X
4	6096-001	Indoor drain pan	X
5	S141-383	Evap. Coil Support	X
6	509-259-8	Unit Back Assembly	X
7	S137-641	Cond. Coil Top Fill	X
8	S125-065	Fan Shroud/Venturi Assembly	X
9	113-439	Side Bracket	4
10	S149-120	Right Rear Corner	X
11	S121-456	Condenser Partition	X
12	S149-123	Right Front Corner	X
13	S113-438	Unit Connection Bracket	2
14	S101X635	Right Inner Side Panel	X
15	7001-024	Right Hand Inlet Duct (used on CRV & ERV units only)	X
16	113-429	Evap. Drain Tube Bracket	2
17	S127-416	Condenser Base Assembly	X
18	S921-0003	Exhaust Duct Assembly	X
19	6096-002	Outdoor Drain Pan	X
20	126-417	Compressor Mounting Base	X
21	113-445	460V trans. Mtg brkt. (I36-42-48)	X
	113-449	460V trans. Mtg brkt. (I60 Only)	X
22	See Vent Section	Vent Option	X
23	511-177	Intake Duct Assembly (used on CRV and ERV units only)	X
24	S141-374	Right Condenser Coil Support	X
25	165-599	High Voltage Wire Channel	X
26	143-157	High Voltage Wire Channel Cover	X
27	S141-378	Left Condenser Coil Support	X
28	S553-498	Condenser Door	X
29	S113-440	Dual Service Port Bracket	X
30	113-441	Door Latch Bracket	X
31	S553-496	Evaporator Door	X
32	S153-497	Control Panel Door (230V Units)	X
	S153-501	Control Panel Door (460V Units)	x
33	See Control Panel Section	Control Panel	X
34	103-493	Cond. Partition Side Offset	2
35	S101Y635	Left Inner Side Panel	X
36	103-494	Cond. Partition Rear Offset	X
37	7001-025	Left Hand Inlet Duct (used on CRV & ERV units only)	X
38	S149-121	Left Front Corner	X
39	S149-122	Left Rear Corner	X
NS	S113-426	Top Mounting Bracket	X

NS = Not Shown

PAINTED CABINET COMPONENTS

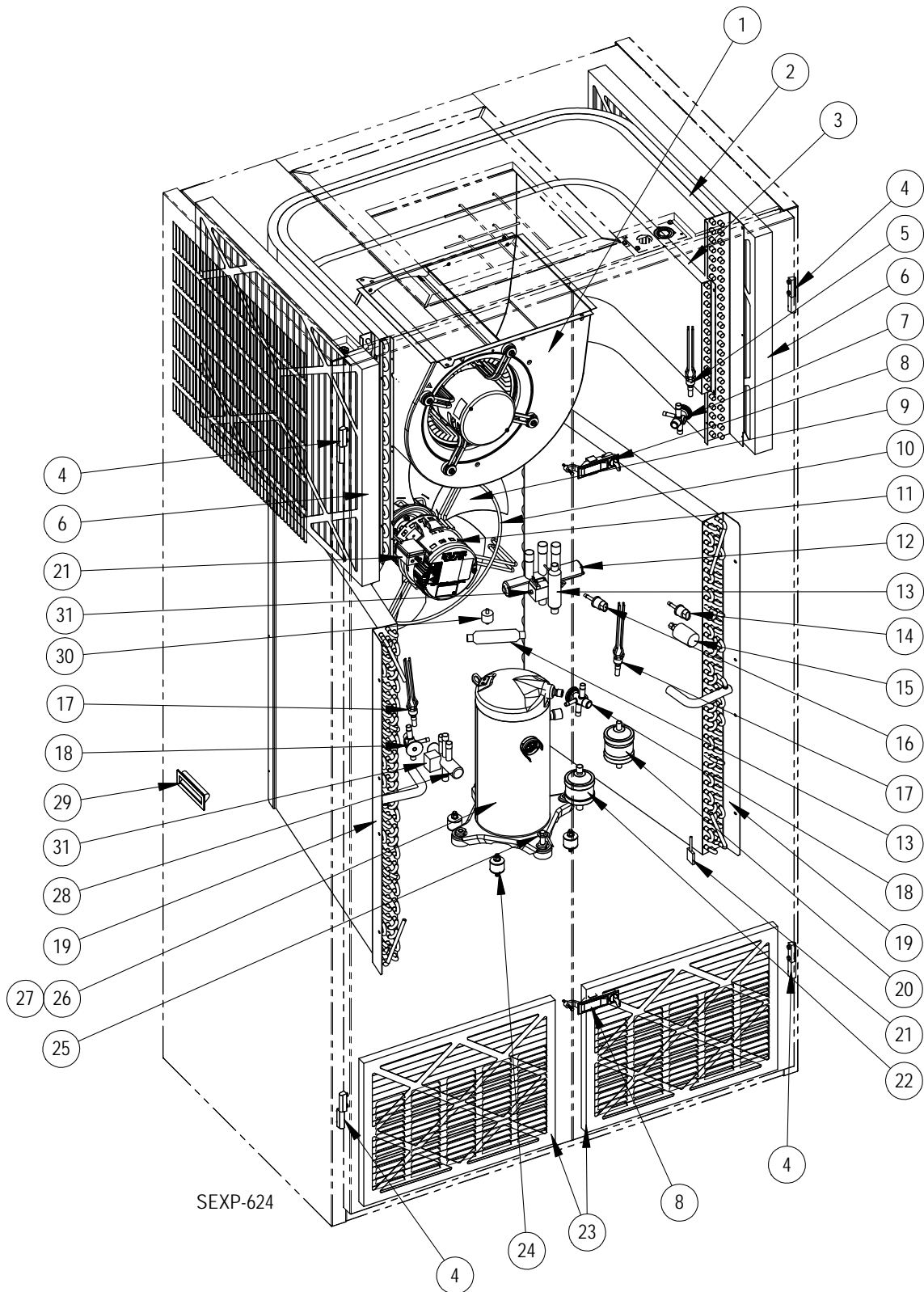


PAINTED CABINET COMPONENTS

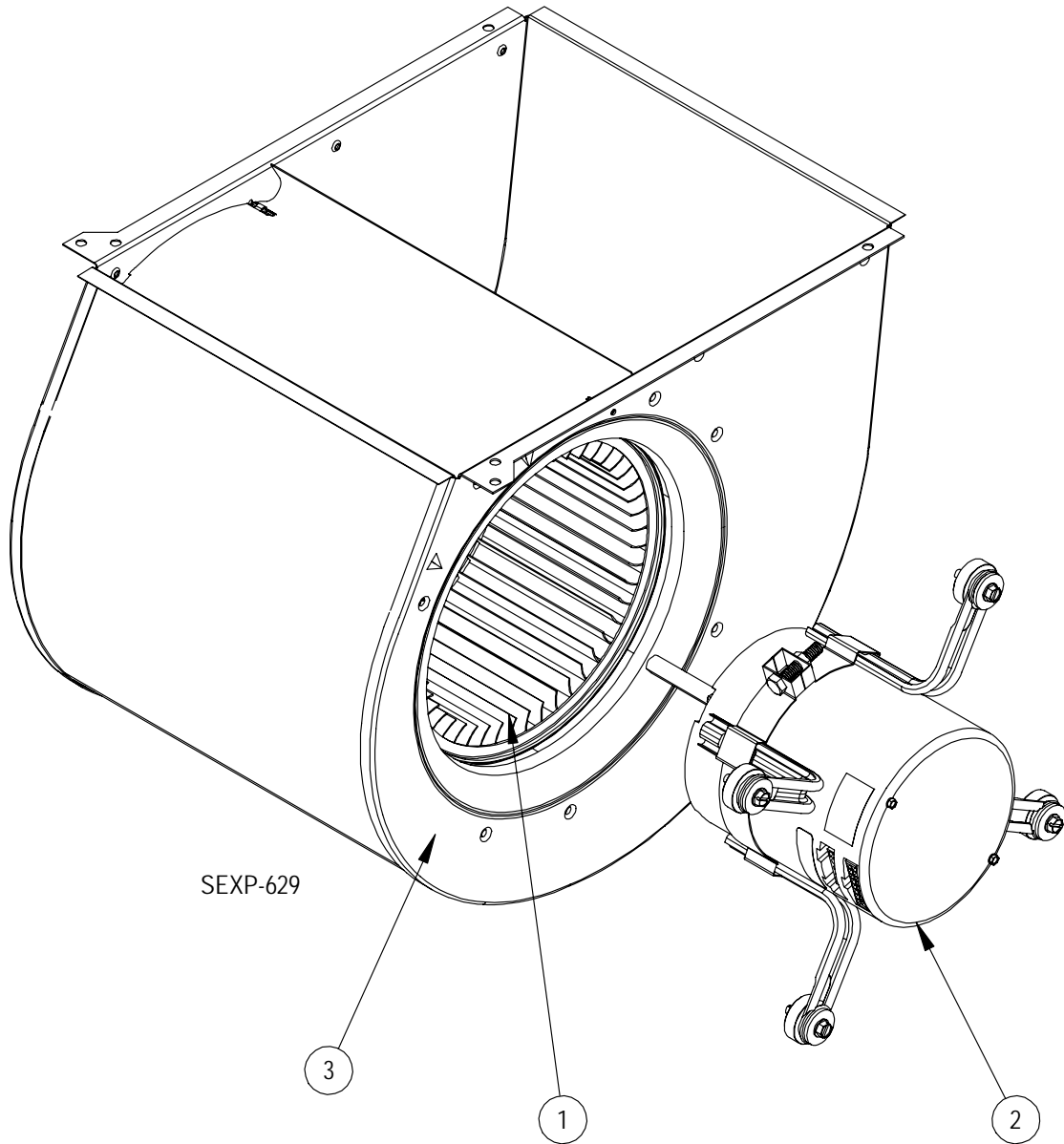
Drawing No.	Part Number	Description	All Models
1	501-636-*	Right Side	X
2	501-637-*	Left Side	X
3	S553-500-*	Right Front Door	X
4	S553-499-*	Left Front Door	X
5	115-206-*	Front Unit Trim	X

- ① Exterior cabinet parts are manufactured with various paint color options. To ensure that you receive the proper paint color, you must include the complete model and serial number of the unit for which cabinet parts are being ordered.

FUNCTIONAL COMPONENTS

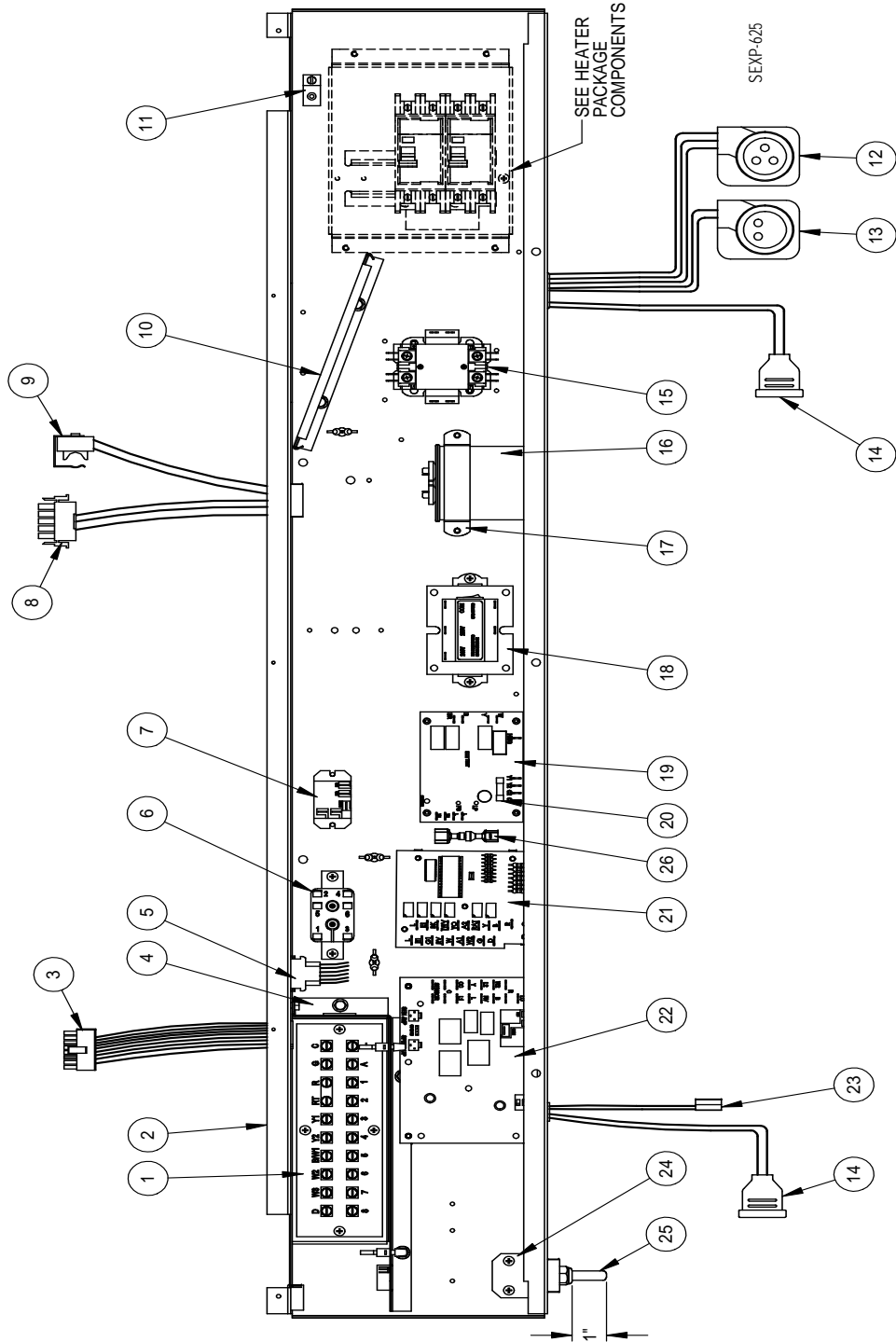


BLOWER ASSEMBLY COMPONENTS



Drawing No.	Part Number	Description	5154-002-0090	5154-005-0089	5154-005-0088	5154-005-0087	5154-006-0081
1	5152-049	Blower Wheel	X	X	X	X	X
2	S8105-058-0090	1/3 HP Programmed Motor	X				
	S8106-051-0089	1/2 HP Programmed Motor		X			
	S8106-051-0088	1/2 HP Programmed Motor			X		
	S8106-051-0087	1/2 HP Programmed Motor				X	
	S8107-016-0081	3/4 HP Programmed Motor					X

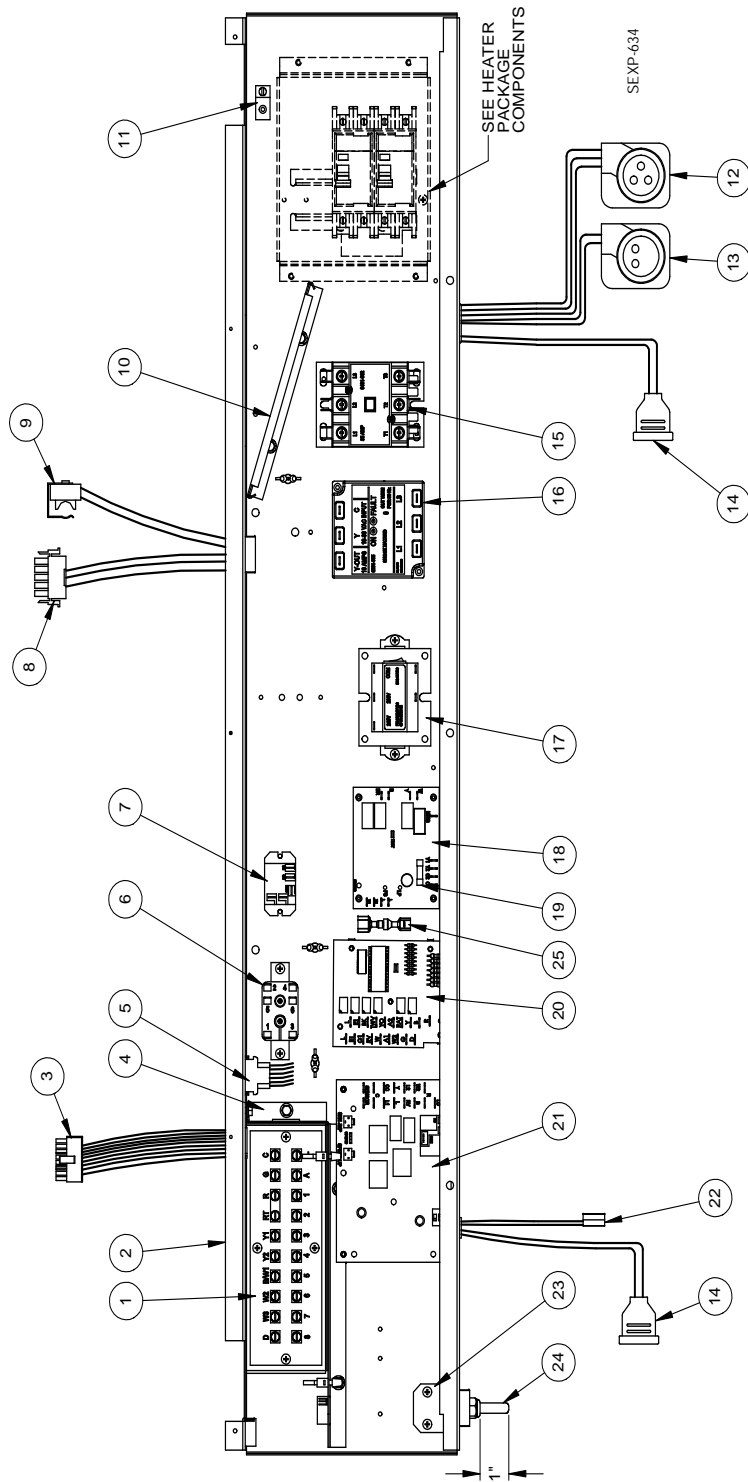
CONTROL PANEL COMPONENTS — 1 PHASE



CONTROL PANEL COMPONENTS — 1 PHASE

Drawing No.	Part Number	Description	I30H1-A	I30H1DA	I36H1-A	I36H1DA	I42H1-A	I42H1DA	I48H1-A	I48H1DA	I60H1-A	I60H1DA
1	8607-032	Low Voltage Terminal Strip	X	X	X	X	X	X	X	X	X	X
2	517-318	Control Panel	X	X	X	X	X	X	X	X	X	X
3	3000-1396	16 pin 24V Indoor Blower Motor Control	X	X	X	X	X	X	X	X	X	X
4	117-319	Low Voltage terminal box	X	X	X	X	X	X	X	X	X	X
5	3000-1397	6 Pin Elect. Heat	X	X	X	X	X	X	X	X	X	X
6	8201-015	Relay	X	X	X	X	X	X	X	X	X	X
7	8201-130	Relay		X		X		X		X		X
8	3000-1398	5 Pin Indoor Blower Motor Power	X	X	X	X	X	X	X	X	X	X
9	8408-038	Freeze protect thermostat	X	X	X	X	X	X	X	X	X	X
10	135-319	Wire Shield	X	X	X	X	X	X	X	X	X	X
11	8611-006	Ground Terminal	X	X	X	X	X	X	X	X	X	X
12	3000-1222	Compressor Power Plug	X	X	X	X	X	X	X	X	X	X
13	3000-1223	Compressor Solenoid Plug	X	X	X	X	X	X	X	X	X	X
14	5650-044	Solenoid Valve plug	X	2	X	2	X	2	X	2	X	2
15	8401-025	Contactora 2 Pole 40 Amp	X	X	X	X	X	X	X	X	X	X
16	8552-035	Capacitor 40MFD 370V	X	X	X	X						
	8552-043	Capacitor 45MFD 370V					X	X				
	8552-095	Capacitor 30MFD 370V							X	X		
	8552-096	Capacitor 40MFD 440V									X	X
17	8550-007	Capacitor Bracket 2" Round	X	X	X	X					X	X
	8550-008	Capacitor Bracket 2-1/2" Round					X	X				
	8550-006	Capacitor Bracket 1-3/4" Round							X	X		
18	8407-048	Transformer 75VA with Circuit Breaker	X	X	X	X	X	X	X	X	X	X
19	8201-128	Fan Logic Control	X	X	X	X	X	X	X	X	X	X
20	8614-052	3.15 Amp Fuse	X	X	X	X	X	X	X	X	X	X
21	8201-113	Dehum Logic Board		X		X		X		X		X
22	8201-129	Defrost Control Board	X	X	X	X	X	X	X	X	X	X
23	910-1790	Defrost Sensor	X	X	X	X	X	X	X	X	X	X
24	113-437	Thermistor Bracket	X	X	X	X	X	X	X	X	X	X
25	8408-043	Fan Control Thermistor	X	X	X	X	X	X	X	X	X	X
26	910-1816	Fan Control Resistor (Optional)	X	X	X	X	X	X	X	X	X	X

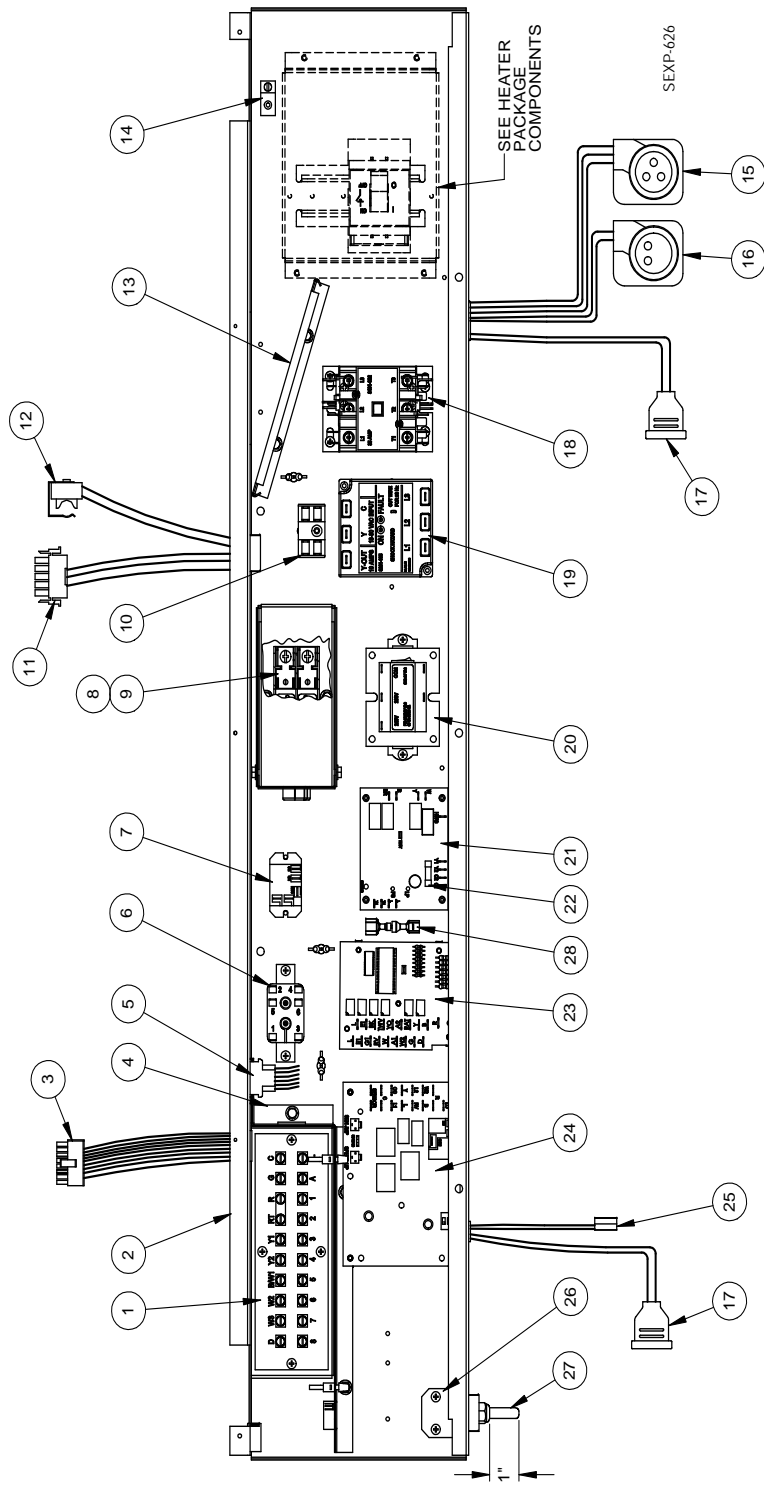
CONTROL PANEL COMPONENTS — 3 PHASE



CONTROL PANEL COMPONENTS — 3 PHASE

Drawing No.	Part Number	Description	I30HI-B	I30HIDB	I36HI-B	I36HIDB	I42HI-B	I42HIDB	I48HI-B	I48HIDB	I60HI-B	I60HIDB
1	8607-032	Low Voltage Terminal Strip	X	X	X	X	X	X	X	X	X	X
2	517-318	Control Panel	X	X	X	X	X	X	X	X	X	X
3	3000-1396	16 pin 24V Indoor Blower Motor Control	X	X	X	X	X	X	X	X	X	X
4	117-319	Low Voltage terminal box	X	X	X	X	X	X	X	X	X	X
5	3000-1397	6 Pin Elect. Heat	X	X	X	X	X	X	X	X	X	X
6	8201-015	Relay	X	X	X	X	X	X	X	X	X	X
7	8201-130	Relay		X		X		X		X		X
8	3000-1398	5 Pin Indoor Blower Motor Power	X	X	X	X	X	X	X	X	X	X
9	8408-038	Freeze protect thermostat	X	X	X	X	X	X	X	X	X	X
10	135-319	Wire Shield	X	X	X	X	X	X	X	X	X	X
11	8611-006	Ground Terminal	X	X	X	X	X	X	X	X	X	X
12	3000-1231	Compressor Power Plug	X	X	X	X	X	X	X	X	X	X
13	3000-1223	Compressor Solenoid Plug	X	X	X	X	X	X	X	X	X	X
14	5650-044	Solenoid Valve plug	X	2	X	2	X	2	X	2	X	2
15	8401-002	Contactora 3 Pole 25 Amp	X	X	X	X	X	X	X	X	X	X
16	8201-126	3-PH Line Monitor	X	X	X	X	X	X	X	X	X	X
17	8407-048	Transformer 75VA with Circuit Breaker	X	X	X	X	X	X	X	X	X	X
18	8201-128	Fan Logic Control	X	X	X	X	X	X	X	X	X	X
19	8614-052	3.15 Amp Fuse	X	X	X	X	X	X	X	X	X	X
20	8201-113	Dehum Logic Board		X		X		X		X		X
21	8201-129	Defrost Control Board	X	X	X	X	X	X	X	X	X	X
22	910-1790	Defrost Sensor	X	X	X	X	X	X	X	X	X	X
23	113-437	Thermistor Bracket	X	X	X	X	X	X	X	X	X	X
24	8408-043	Fan Control Thermistor	X	X	X	X	X	X	X	X	X	X
25	910-1816	Fan Control Resistor (Optional)	X	X	X	X	X	X	X	X	X	X

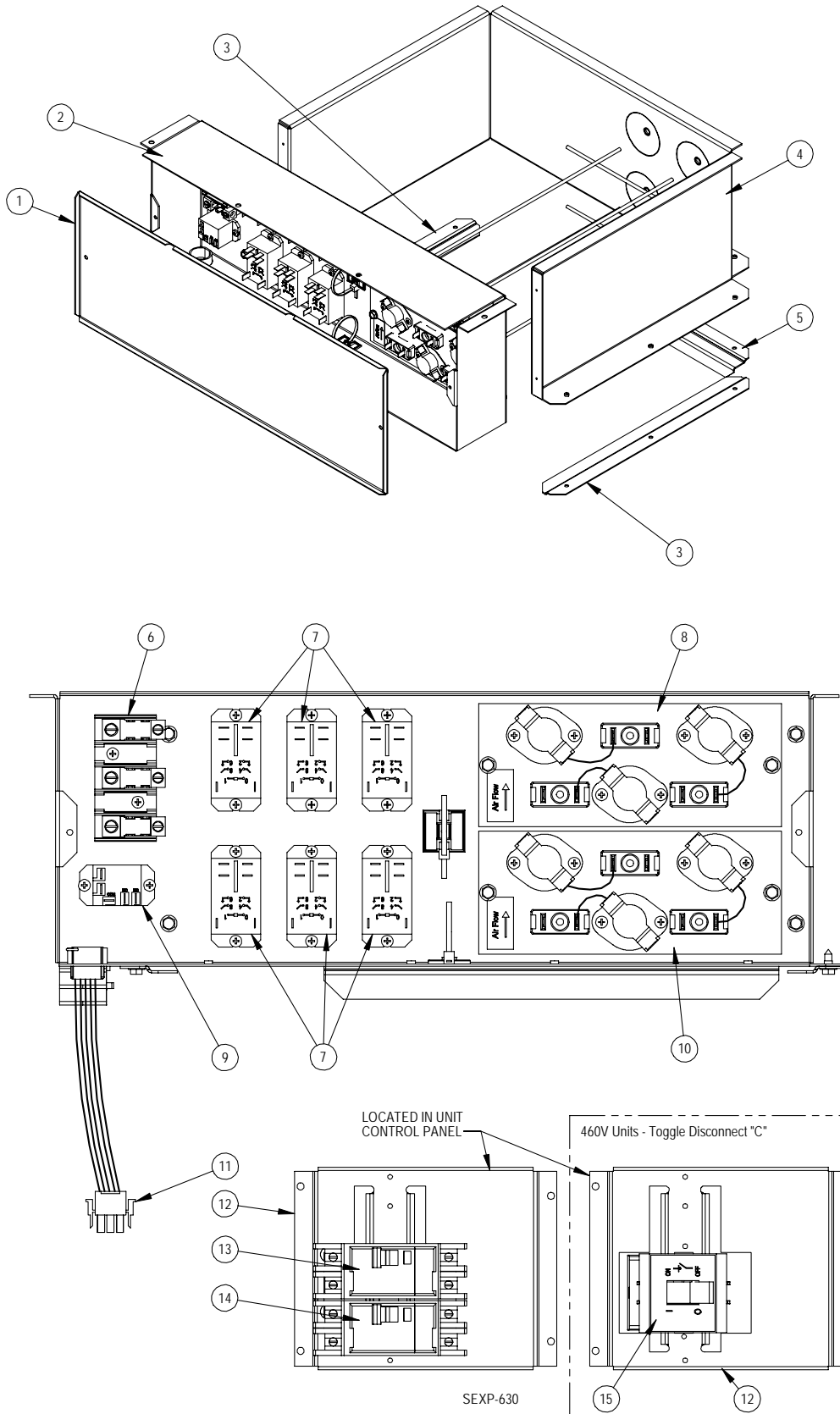
CONTROL PANEL COMPONENTS — 460V 3 PHASE



CONTROL PANEL COMPONENTS — 460V 3 PHASE

Drawing No.	Part Number	Description	I30HI-C	I30H1DC	I36HI-C	I36H1DC	I42HI-C	I42H1DC	I48HI-C	I48H1DC	I60HI-C	I60H1DC
1	8607-032	Low Voltage Terminal Strip	X	X	X	X	X	X	X	X	X	X
2	517-318	Control Panel	X	X	X	X	X	X	X	X	X	X
3	3000-1396	16 pin 24V Indoor Blower Motor Control	X	X	X	X	X	X	X	X	X	X
4	117-319	Low Voltage terminal box	X	X	X	X	X	X	X	X	X	X
5	3000-1397	6 Pin Elect. Heat	X	X	X	X	X	X	X	X	X	X
6	8201-015	Relay	X	X	X	X	X	X	X	X	X	X
7	8201-130	Relay		X		X		X		X		X
8	8614-041	Fuse Block	X	X	X	X	X	X	X	X	X	X
9	8614-046	5A Class CC Fuse	2	2								
	8614-042	7A Class CC Fuse			2	2	2	2	2	2		
	8614-043	10A Class CC Fuse									2	2
10	8607-017	Terminal Block	X	X	X	X	X	X	X	X	X	X
11	3000-1398	5 Pin Indoor Blower Motor Power	X	X	X	X	X	X	X	X	X	X
12	8408-038	Freeze protect thermostat	X	X	X	X	X	X	X	X	X	X
13	135-319	Wire Shield	X	X	X	X	X	X	X	X	X	X
14	8611-006	Ground Terminal	X	X	X	X	X	X	X	X	X	X
15	3000-1231	Compressor Power Plug	X	X	X	X	X	X	X	X	X	X
16	3000-1223	Compressor Solenoid Plug	X	X	X	X	X	X	X	X	X	X
17	5650-044	Solenoid Valve plug	X	2	X	2	X	2	X	2	X	2
18	8401-002	Contactora 3 Pole 25 Amp	X	X	X	X	X	X	X	X	X	X
19	8201-126	3-PH Line Monitor	X	X	X	X	X	X	X	X	X	X
20	8407-048	Transformer 75VA with Circuit Breaker	X	X	X	X	X	X	X	X	X	X
21	8201-128	Fan Logic Control	X	X	X	X	X	X	X	X	X	X
22	8614-052	3.15 Amp Fuse	X	X	X	X	X	X	X	X	X	X
23	8201-113	Dehum Logic Board		X		X		X		X		X
24	8201-129	Defrost Control Board	X	X	X	X	X	X	X	X	X	X
25	910-1790	Defrost Sensor	X	X	X	X	X	X	X	X	X	X
26	113-437	Thermistor Bracket	X	X	X	X	X	X	X	X	X	X
27	8408-043	Fan Control Thermistor	X	X	X	X	X	X	X	X	X	X
28	910-1816	Fan Control Resistor (Optional)	X	X	X	X	X	X	X	X	X	X

ELECTRIC HEATER COMPONENTS



ELECTRIC HEATER COMPONENTS

Drawing No.	Part Number	Description	I30H1-A0Z, I30H1DA0Z	I30H1-A05, I30H1DA05	I30H1-A10, I30H1DA10	I36H1-A0Z, I36H1DA0Z	I36H1-A05, I36H1DA05	I36H1-A10, I36H1DA10	I36H1-A15, I36H1DA15	I42H1-A0Z, I42H1DA0Z	I42H1-A05, I42H1DA05	I42H1-A10, I42H1DA10	I42H1-A15, I42H1DA15	I48H1-A0Z, I48H1DA0Z	I48H1-A04, I48H1DA04	I48H1-A05, I48H1DA05	I48H1-A10, I48H1DA10	I48H1-A15, I48H1DA15	I48H1-A20, I48H1DA20	I60H1-A0Z, I60H1DA0Z	I60H1-A05, I60H1DA05	I60H1-A10, I60H1DA10	I60H1-A15, I60H1DA15	I60H1-A20, I60H1DA20
1	143-148	Heater Box Cover	X	X	X	X	X	X	X	X	X	X	X	X	X	X	X	X	X	X	X	X	X	X
2	117-313	Heater Front Plate	X	X	X	X	X	X	X	X	X	X	X	X	X	X	X	X	X	X	X	X	X	X
3	103-486	Side Blower Offset	2	2	2	2	2	2	2	2	2	2	2	2	2	2	2	2	2	2	2	2	2	2
4	117-307	Heater Wrapper	X	X	X	X	X	X	X	X	X	X	X	X	X	X	X	X	X	X	X	X	X	X
5	103-487	Rear Blower Angle	X	X	X	X	X	X	X	X	X	X	X	X	X	X	X	X	X	X	X	X	X	X
7	8401-036	Contactora 2-Pole 30A		X	2		X	2	3		X	2	2		X	X	2	3	4		X	2	3	4
8	142-159	Heater Blank Off Plate	X	X	X	X	X			X	X	X		X	X	X	X			X	X	X		
	8604-135	Heat Strip 5KW							X				X					X						X
	8604-136	Heat Strip 10KW																X						X
9	8201-130	Relay		X	X		X	X	X		X	X	X		X	X	X	X	X		X	X	X	X
10	142-159	Heater Blank Off Plate	X			X				X				X							X			
	8604-135	Heat Strip 5KW		X			X				X					X					X			
	8604-136	Heat Strip 10KW			X			X	X			X	X				X	X	X			X	X	X
	8604-134	Heat Strip 4KW													X	X								
11	3000-1402	6-Pin Electric Heater Wire Harness		X	X		X	X	X		X	X	X		X	X	X	X	X		X	X	X	X
12	127-418	Circuit Breaker Base	X	X	X	X	X	X	X	X	X	X	X	X	X	X	X	X	X	X	X	X	X	X
13	8615-037	Circuit Breaker 30A 2-Pole			X											X					X			
	8615-041	Circuit Breaker 60A 2-Pole						X	X			X	X				X	X	X			X	X	X
14	8615-038	Circuit Breaker 35A 2-Pole	X																					
	8615-040	Circuit Breaker 50A 2-Pole		X	X									X		X								
	8615-055	Circuit Breaker 40A 2-Pole				X		X	X															
	8615-041	Circuit Breaker 60A 2-Pole					X				X				X				X	X	X	X	X	X
	8615-039	Circuit Breaker 45A 2-Pole									X		X	X				X	X					
NS	4203-100	Wiring Diagram	X			X				X				X							X			
NS	4203-101	Wiring Diagram		X			X				X				X									
NS	4203-103	Wiring Diagram			X			X				X					X						X	
NS	4203-104	Wiring Diagram							X				X					X						X
NS	4203-102	Wiring Diagram														X					X			
NS	4203-105	Wiring Diagram																X						X

NS = Not Shown

ELECTRIC HEATER COMPONENTS

Drawing No.	Part Number	Description	130H1-B0Z, 130H1DB0Z	130H1-B06, 130H1DB06	130H1-B09, 130H1DB09	136H1-B0Z, 136H1DB0Z	136H1-B06, 136H1DB06	136H1-B09, 136H1DB09	136H1-B15, 136H1DB15	142H1-B0Z, 142H1DB0Z	142H1-B06, 142H1DB06	142H1-B09, 142H1DB09	142H1-B15, 142H1DB15	148H1-B0Z, 148H1DB0Z	148H1-B06, 148H1DB06	148H1-B09, 148H1DB09	148H1-B15, 148H1DB15	148H1-B18, 148H1DB18	160H1-B0Z, 160H1DB0Z	160H1-B06, 160H1DB06	160H1-B09, 160H1DB09	160H1-B15, 160H1DB15	160H1-B18, 160H1DB18	
1	143-148	Heater Box Cover	X	X	X	X	X	X	X	X	X	X	X	X	X	X	X	X	X	X	X	X	X	X
2	117-313	Heater Front Plate	X	X	X	X	X	X	X	X	X	X	X	X	X	X	X	X	X	X	X	X	X	X
3	103-486	Side Blower Offset	2	2	2	2	2	2	2	2	2	2	2	2	2	2	2	2	2	2	2	2	2	2
4	117-307	Heater Wrapper	X	X	X	X	X	X	X	X	X	X	X	X	X	X	X	X	X	X	X	X	X	X
5	103-487	Rear Blower Angle	X	X	X	X	X	X	X	X	X	X	X	X	X	X	X	X	X	X	X	X	X	X
6	8607-014	Terminal Block																	X					X
7	8401-036	Contactors 2-Pole 30A		3	3		3	3	6		3	3	6		3	3	6	6		3	3	6	6	
8	142-159	Heater Blank Off Plate	X	X	X	X	X	X		X	X	X		X	X	X			X	X	X			
8	8604-137	Heat Strip 6KW							X				X				X						X	
8	8604-138	Heat Strip 9KW																X						X
9	8201-130	Relay		X	X		X	X	X		X	X	X		X	X	X	X		X	X	X	X	X
10	142-159	Heater Blank Off Plate	X			X				X				X					X					
10	8604-137	Heat Strip 6KW		X			X			X				X						X				
10	8604-138	Heat Strip 9KW			X			X	X			X	X		X	X	X				X	X	X	
11	3000-1402	6-Pin Electric Heater Wire Harness		X	X		X	X	X		X	X	X		X	X	X	X		X	X	X	X	X
12	127-418	Circuit Breaker Base	X	X	X		X	X	X	X	X	X	X	X	X	X	X	X	X	X	X	X	X	X
13	8615-046	Circuit Breaker 60A 3-Pole							X				X				X						X	X
14	8615-051	Circuit Breaker 25A 3-Pole	X																					
14	8615-042	Circuit Breaker 35A 3-Pole		X						X				X										
14	8615-052	Circuit Breaker 30A 3-Pole				X																		
14	8615-044	Circuit Breaker 45A 3-Pole			X		X		X				X				X		X				X	X
14	8615-045	Circuit Breaker 50A 3-Pole						X			X				X									
14	8615-046	Circuit Breaker 60A 3-Pole										X			X		X		X	X				
NS	4203-200	Wiring Diagram	X			X				X				X					X					
NS	4203-201	Wiring Diagram		X	X		X	X			X	X			X	X				X	X			
NS	4203-202	Wiring Diagram							X				X				X	X					X	
NS	4203-203	Wiring Diagram																						X

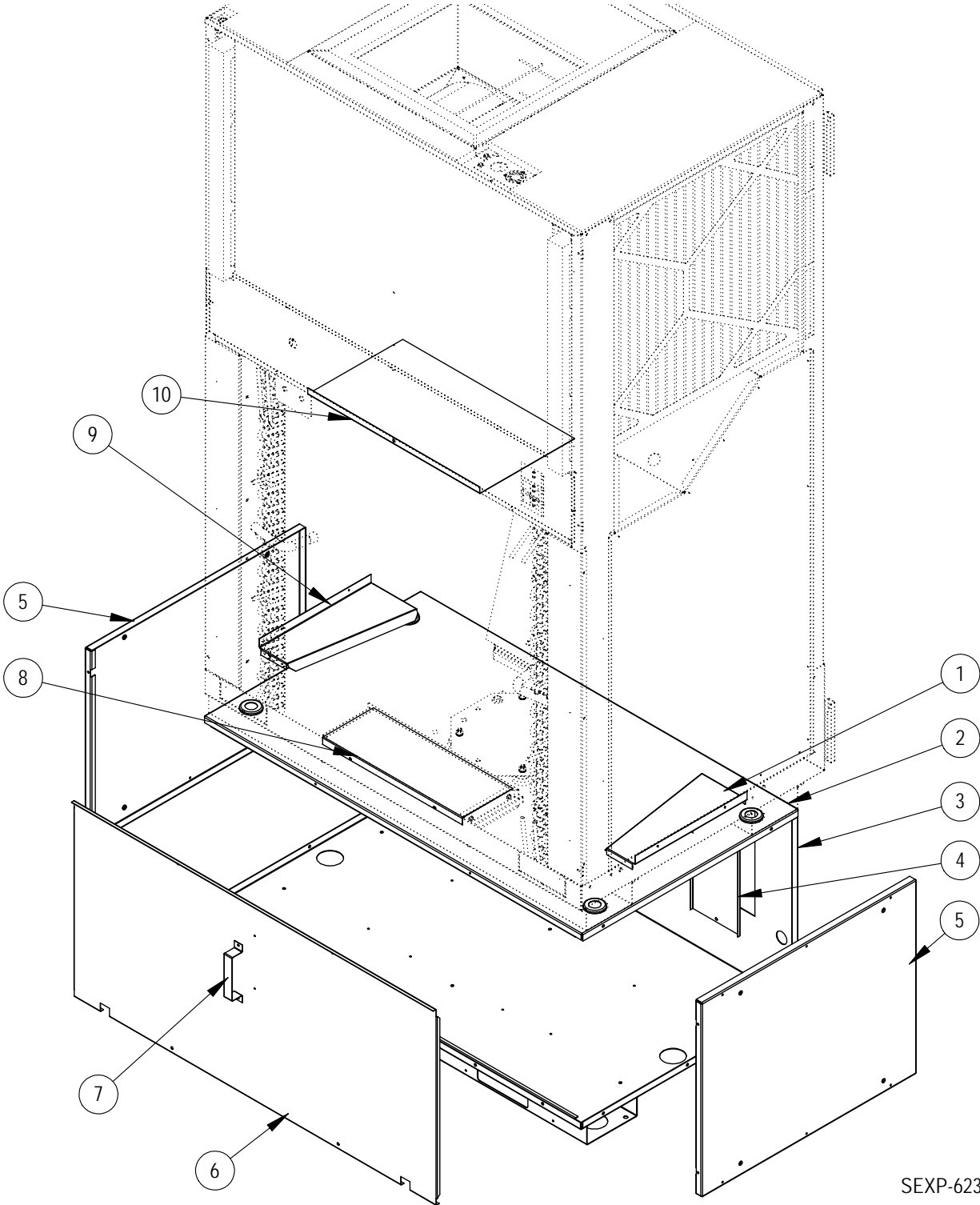
NS = Not Shown

ELECTRIC HEATER COMPONENTS

Drawing No.	Part Number	Description	130H1-C0Z, 130H1DC0Z	130H1-C06, 130H1DC06	130H1-C09, 130H1DC09	136H1-C0Z, 136H1DC0Z	136H1-C06, 136H1DC06	136H1-C09, 136H1DC09	136H1-C15, 136H1DC15	142H1-C0Z, 142H1DC0Z	142H1-C06, 142H1DC06	142H1-C09, 142H1DC09	142H1-C15, 142H1DC15	148H1-C0Z, 148H1DC0Z	148H1-C06, 148H1DC06	148H1-C09, 148H1DC09	148H1-C15, 148H1DC15	148H1-C18, 148H1DC18	160H1-C0Z, 160H1DC0Z	160H1-C06, 160H1DC06	160H1-C09, 160H1DC09	160H1-C15, 160H1DC15	160H1-C18, 160H1DC18	
1	143-148	Heater Box Cover	X	X	X	X	X	X	X	X	X	X	X	X	X	X	X	X	X	X	X	X	X	X
2	117-313	Heater Front Plate	X	X	X	X	X	X	X	X	X	X	X	X	X	X	X	X	X	X	X	X	X	X
3	103-486	Side Blower Offset	2	2	2	2	2	2	2	2	2	2	2	2	2	2	2	2	2	2	2	2	2	2
4	117-307	Heater Wrapper	X	X	X	X	X	X	X	X	X	X	X	X	X	X	X	X	X	X	X	X	X	X
5	103-487	Rear Blower Angle	X	X	X	X	X	X	X	X	X	X	X	X	X	X	X	X	X	X	X	X	X	X
6	8607-014	Terminal Block						X				X				X						X		
7	8401-036	Contact 2-Pole 30A		2	2		2	2	6		2	2	6		2	2	6	4		2	2	6	4	
8	142-159	Heater Blank Off Plate	X	X	X	X	X	X		X	X	X		X	X	X			X	X	X			
8	8604-139	Heat Strip 6KW						X				X				X						X		
8	8604-140	Heat Strip 9KW															X						X	
9	8201-130	Relay		X	X		X	X	X		X	X	X		X	X	X	X		X	X	X	X	X
10	142-159	Heater Blank Off Plate	X			X				X				X					X					
10	8604-139	Heat Strip 6KW		X			X			X				X					X					
10	8604-140	Heat Strip 9KW			X			X	X			X	X			X	X	X			X	X	X	
11	3000-1402	6-Pin Electric Heater Wire Harness		X	X		X	X	X		X	X	X		X	X	X	X		X	X	X	X	X
12	127-418	Circuit Breaker Base	X	X	X	X	X	X	X	X	X	X	X	X	X	X	X	X	X	X	X	X	X	X
15	8615-067	Toggle Disconnect 40A 460V	X	X	X	X	X	X	X	X	X	X	X	X	X	X	X	X	X	X	X	X	X	X
NS	4203-300	Wiring Diagram	X			X				X				X					X					
NS	4203-301	Wiring Diagram		X	X		X	X			X	X			X	X				X	X			
NS	4203-302	Wiring Diagram						X				X					X	X				X	X	

NS = Not Shown

VENT BOX (ONLY) COMPONENTS

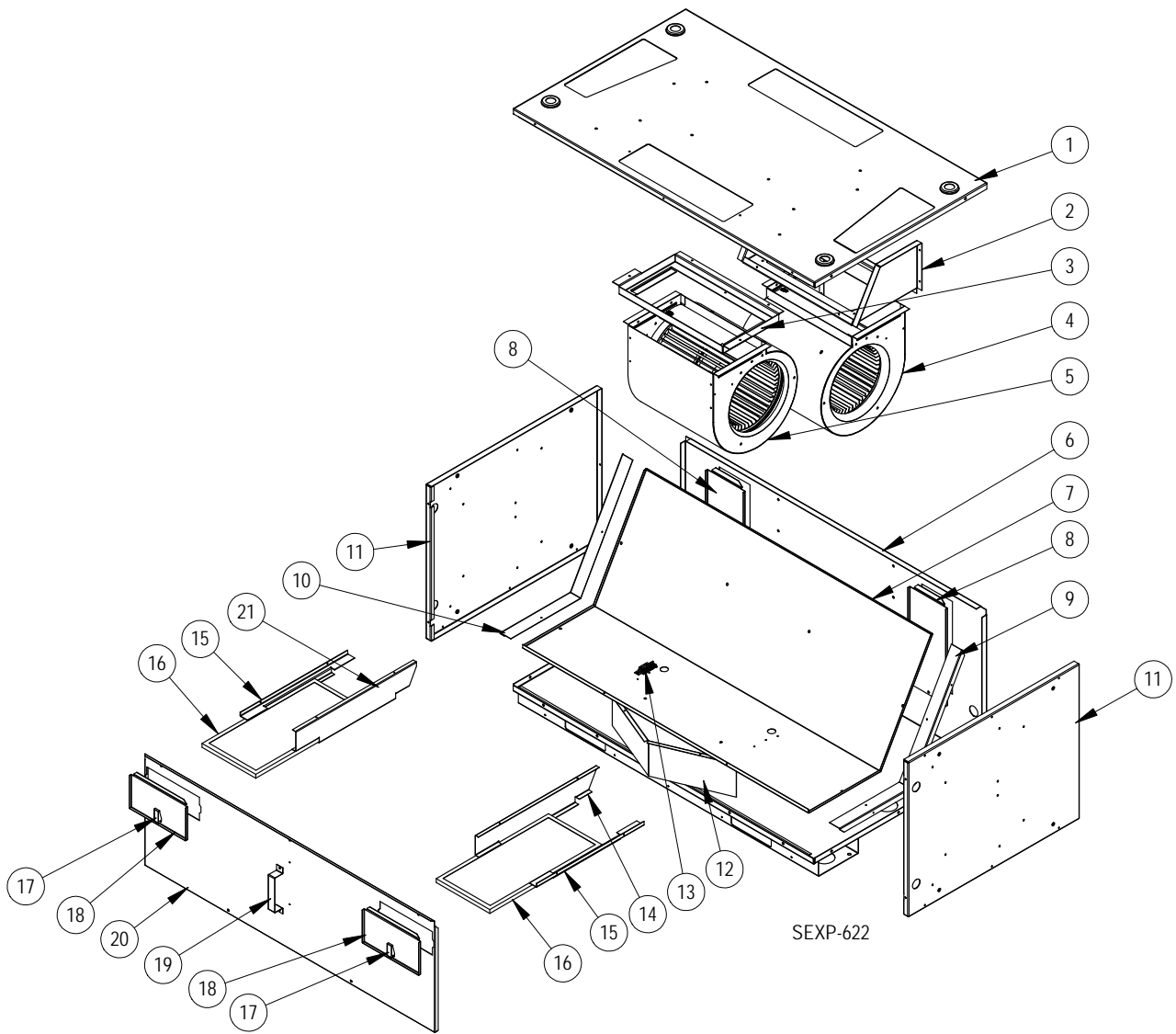


SEXP-623

VENT BOX (ONLY) COMPONENTS

Drawing No.	Part Number	Description	Vent Box Only
1	S143X164	Right Side Intake Fill	X
2	507-298	Vent Box Top	X
3	S527-419	Vent Box Base	X
4	543-158	Drain Access Plate	2
5	S501-639	Vent Box Side	2
6	553-508	Vent Box Door	X
7	113-441	Door Latch Bracket	X
8	S143-160	Lower Intake Fill	X
9	S143Y164	Left Side Intake Fill	X
10	S143-161	Upper Intake Fill	X

CRV COMPONENTS

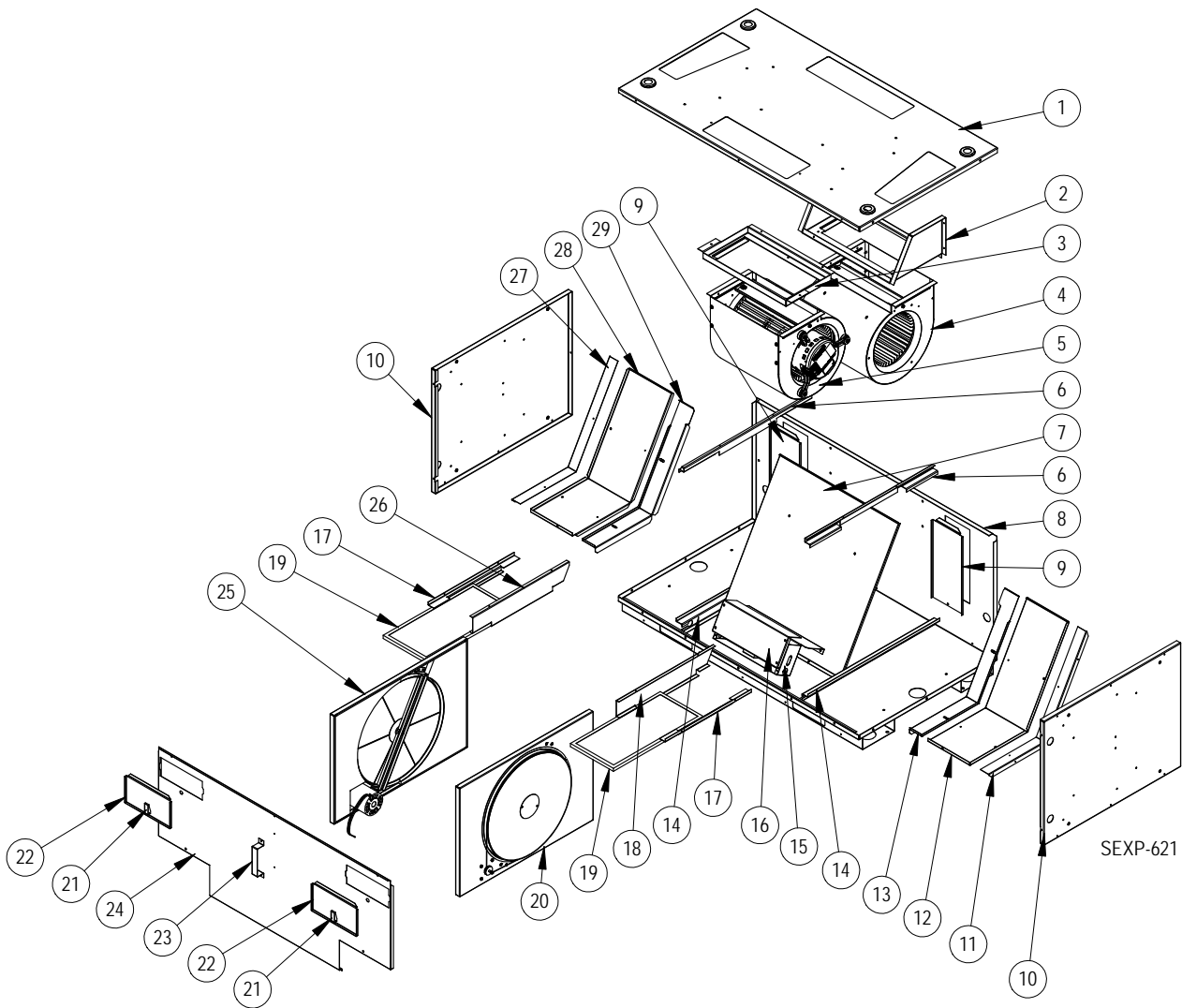


CRV COMPONENTS

Drawing No.	Part Number	Description	CRV
1	S507-297	Vent Box Top	X
2	103-489	Rear Blower Offset	X
3	103-488	Front Blower Offset	X
4	900-318-001	Exhaust Blower Assembly	X
5	900-318-002	Intake Blower Assembly	X
6	S527-419	Vent Box Base	X
7	521-459	Partition	X
8	543-158	Drain Access Plate	2
9	505X1260	Right Partition Angle	X
10	505Y1260	Left Partition Angle	X
11	S501-638	Vent Box Side	2
12	569-179	Baffle	X
13	S910-1809	Terminal Block Assembly	X
14	141X382	Right Lower Filter Bracket	X
15	141-381	Filter Angle	2
16	7003-064	Vent Intake Filter	2
17	1171-053	Swell Latch	2
18	S153-506	Filter Door	2
19	113-441	Door Latch Bracket	X
20	S553-507	Blower Door	X
21	141Y382	Left Lower Filter Bracket	X
NS	3000-1403	Intake/Exhaust Power Plug	2
NS	3000-1404	Intake/Exhaust Speed Plug	2
NS	3000-1406	Vent Section Plug	X
NS	3000-1411	Unit Control Panel Plug	X
NS	8201-062	Relay (in unit Control Panel)	X
NS	4204-103	Wiring Diagram	X

NS = Not Shown

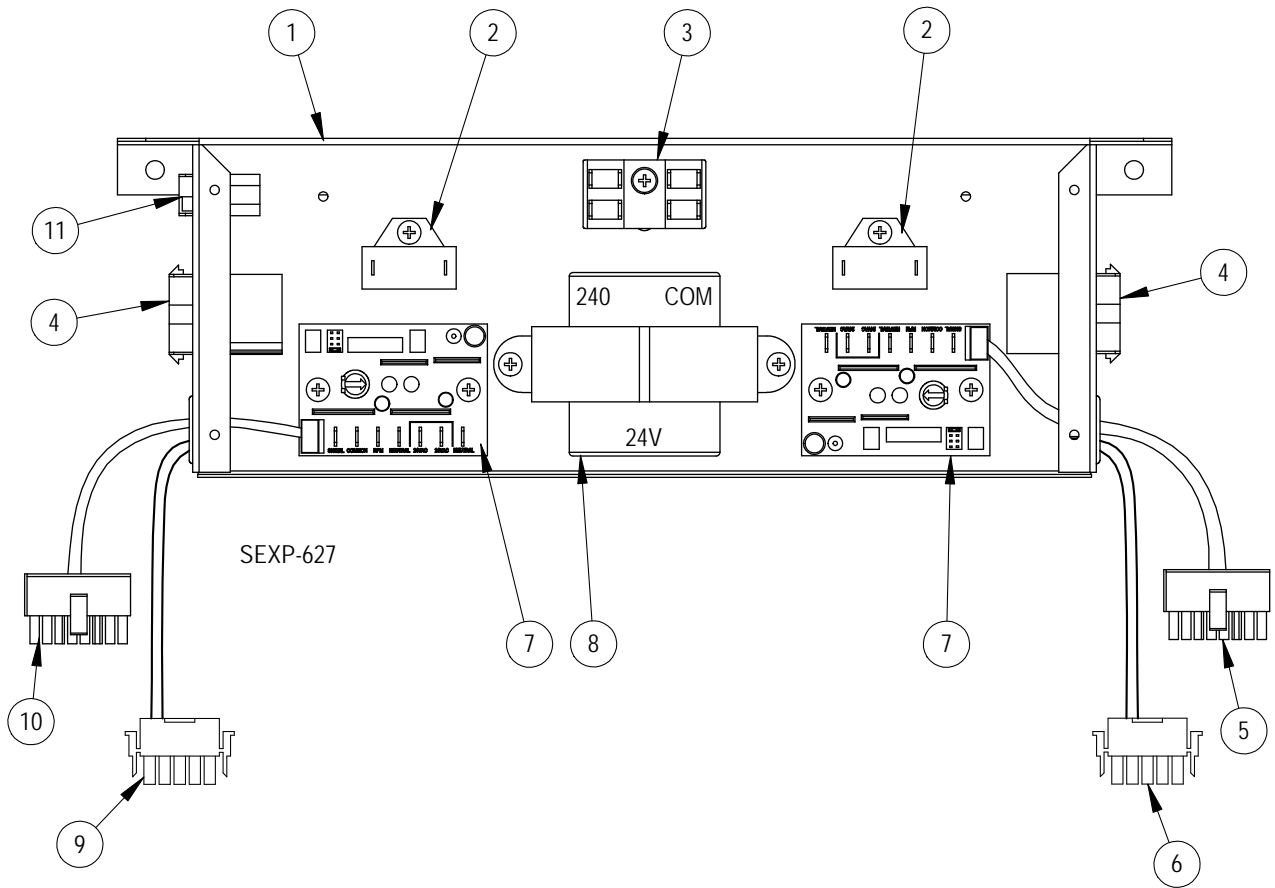
ERV COMPONENTS



ERV COMPONENTS

Drawing No.	Part Number	Description	ERV
1	S507-297	Vent Box Top	X
2	103-489	Rear Blower Offset	X
3	103-488	Front Blower Offset	X
4	900-319-001	Exhaust Blower Assembly	X
5	900-319-002	Intake Blower Assembly	X
6	141-379	Cassette Upper Rail	2
7	521-457	Partition	X
8	S527-419	Vent Box Base	X
9	543-158	Drain Access Plate	2
10	S501-638	Vent Box Side	2
11	505X1260	Right Partition Angle	X
12	521X458	Right Side Partition	X
13	S105X1258	Right Cassette Seal Angle	X
14	141-380	Cassette Lower Rail	2
15	Control Panel	See Control Panel section	x
16	153-511	Control Panel Cover	X
17	141-381	Filter Angle	2
18	141X382	Right Lower Filter Bracket	X
19	7003-064	Vent Intake Filter	2
20	5070-055	Right Cassette Assembly - Complete See cassette section for individual parts	X
21	1171-053	Swell Latch	2
22	S153-506	Filter Door	2
23	113-441	Door Latch Bracket	X
24	S553-505	Cassette Door	X
25	5070-056	Left Cassette Assembly - Complete See cassette section for individual parts	X
26	141Y382	Left Lower Filter Bracket	X
27	105Y1260	Left Partition Angle	X
28	521Y458	Left Side Partition	X
29	S105Y1258	Left Cassette Seal Angle	X

ERV CONTROL PANEL COMPONENTS

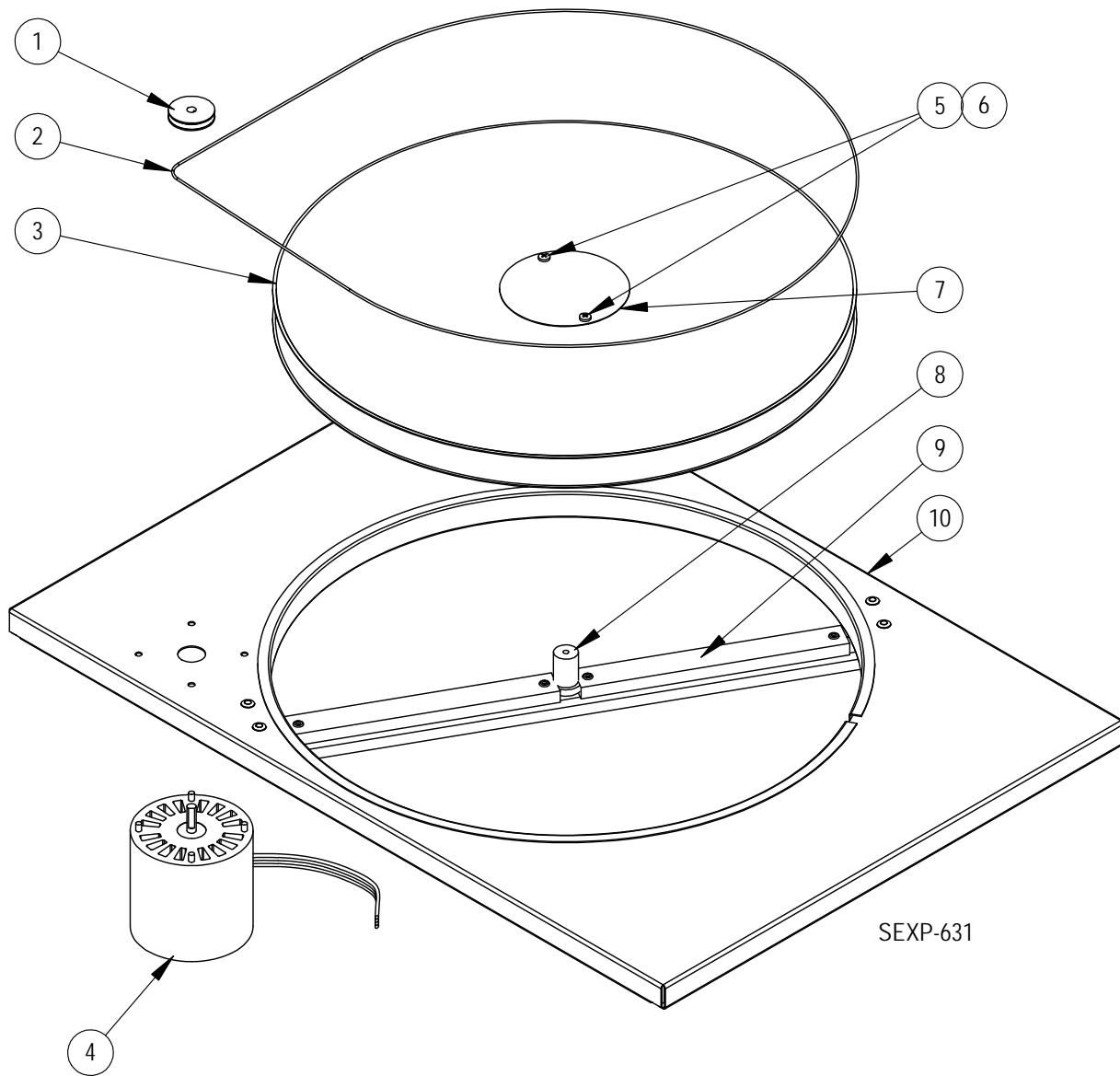


ERV CONTROL PANEL COMPONENTS

Drawing No.	Part Number	Description	ERV Control Panel
1	117-323	Control Panel	X
2	8552-070	3MFD 250V Capacitor	2
3	8607-017	Terminal Block	X
4	3000-1410	Cassette Motor Plug	2
5	3000-1407	Exhaust Speed Plug	X
6	3000-1331	Intake Plover Plug	X
7	8201-124	Blower Control Board	2
8	8407-043	60VA Transformer	X
9	3000-1356	Intake Speed Plug	X
10	3000-1358	Exhaust Power Plug	X
11	3000-1409	Vent Section Plug	X
NS	3000-1408	Extension Plug	X
NS	3000-1405	Unit Control Panel Plug	X
NS	8201-013	Relay (in unit Control Panel)	X
NS	4204-104	Wiring Diagram	X

NS = Not Shown

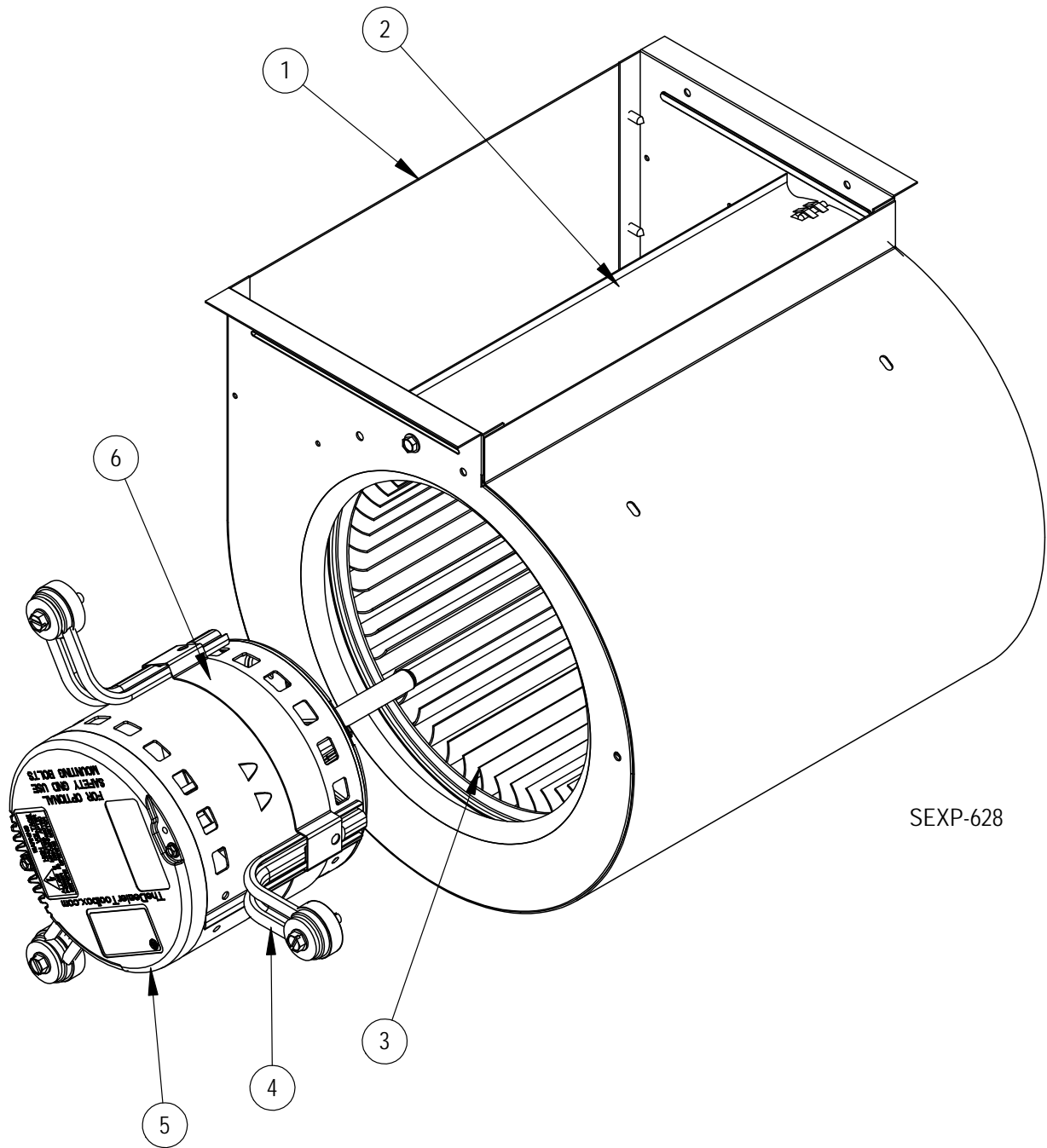
ERV CASSETTE COMPONENTS



ERV CASSETTE COMPONENTS

Drawing No.	Part Number	Description	5070-055 Right Cassette	5070-056 Left Cassette
1	5501-018	Pulley	X	X
2	5070-054	Drive Belt	X	X
3	5070-043	Cassette Wheel	X	X
4	8101-016	Motor	X	X
5	1012-164	Machine Screw	2	2
6	8611-111	Nylon Spacer	2	2
7	142-104	Hub Cover	X	X
8	1912-012	Wheel Shaft	X	X
9	105-1259	Cassette Wheel Angle	X	X
10	539X275	Right Hand Cassette Plate	X	
10	539Y275	Left Hand Cassette Plate		X
NS	8620-204	ERV Bearing, Shaft & Hardware Kit	X	X
NS	8620-205	ERV Shaft & Hardware Kit	X	X

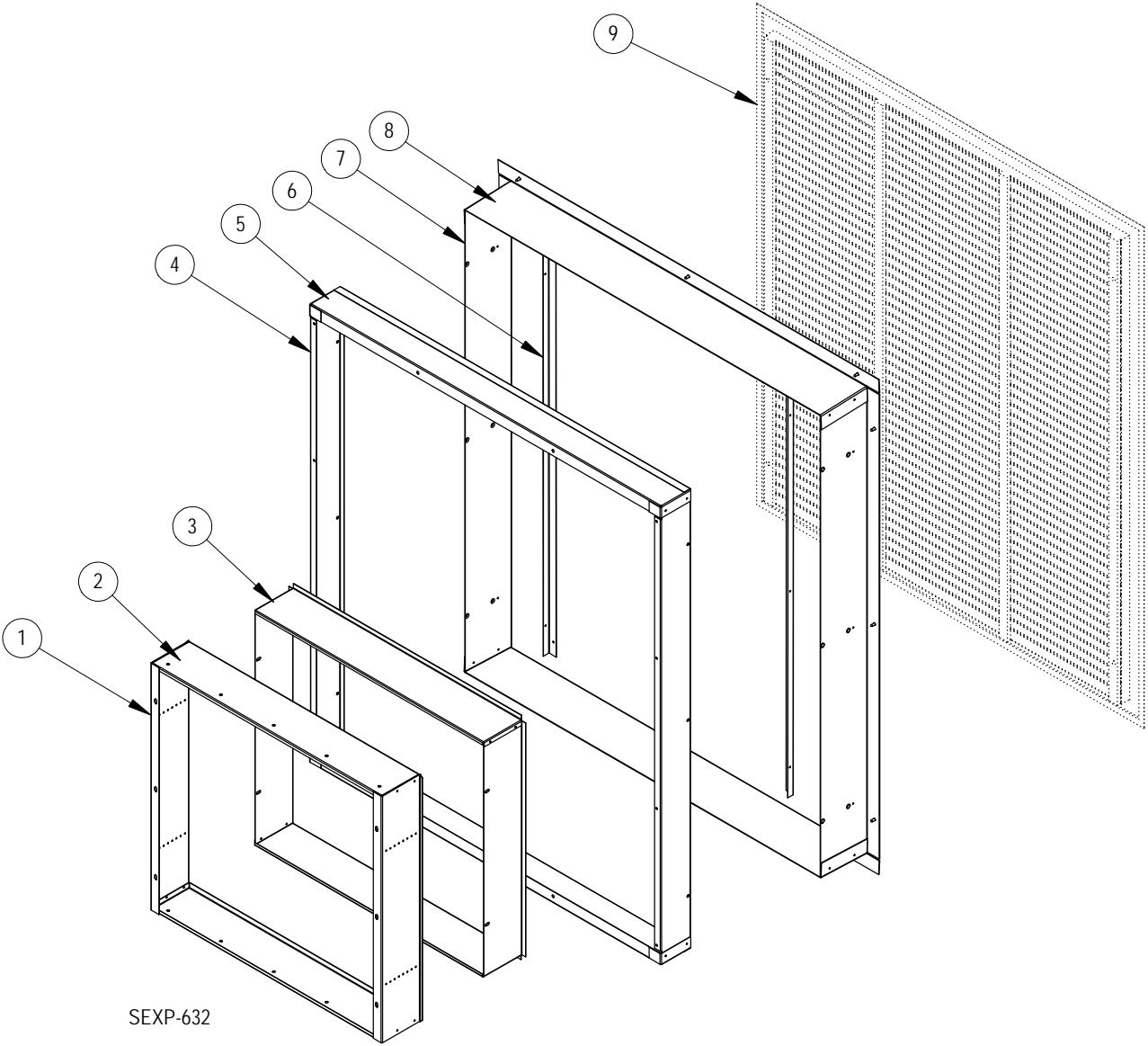
CRV / ERV BLOWER COMPONENTS



CRV / ERV BLOWER COMPONENTS

Drawing No.	Part Number	Description	900-318-001	900-318-002	900-319-001	900-319-002
1	151-124	Blower Housing	X	X	X	X
2	144-129	Diffuser	X	X	X	X
3	5152-067	Blower Wheel	X	X	X	X
4	8200-046	Motor Mount Arm	3	3	3	3
5	S8105-056-0104	1/3 HP Programmed Motor – CRV Exhaust	X			
	S8105-056-0105	1/3 HP Programmed Motor – CRV Intake		X		
	S8105-045-0106	1/3 HP Programmed Motor – ERV Exhaust			X	
	S8105-045-0107	1/3 HP Programmed Motor – ERV Intake				X
6	8200-033	Motor Mount Band	X	X	X	X

SLEEVE COMPONENTS

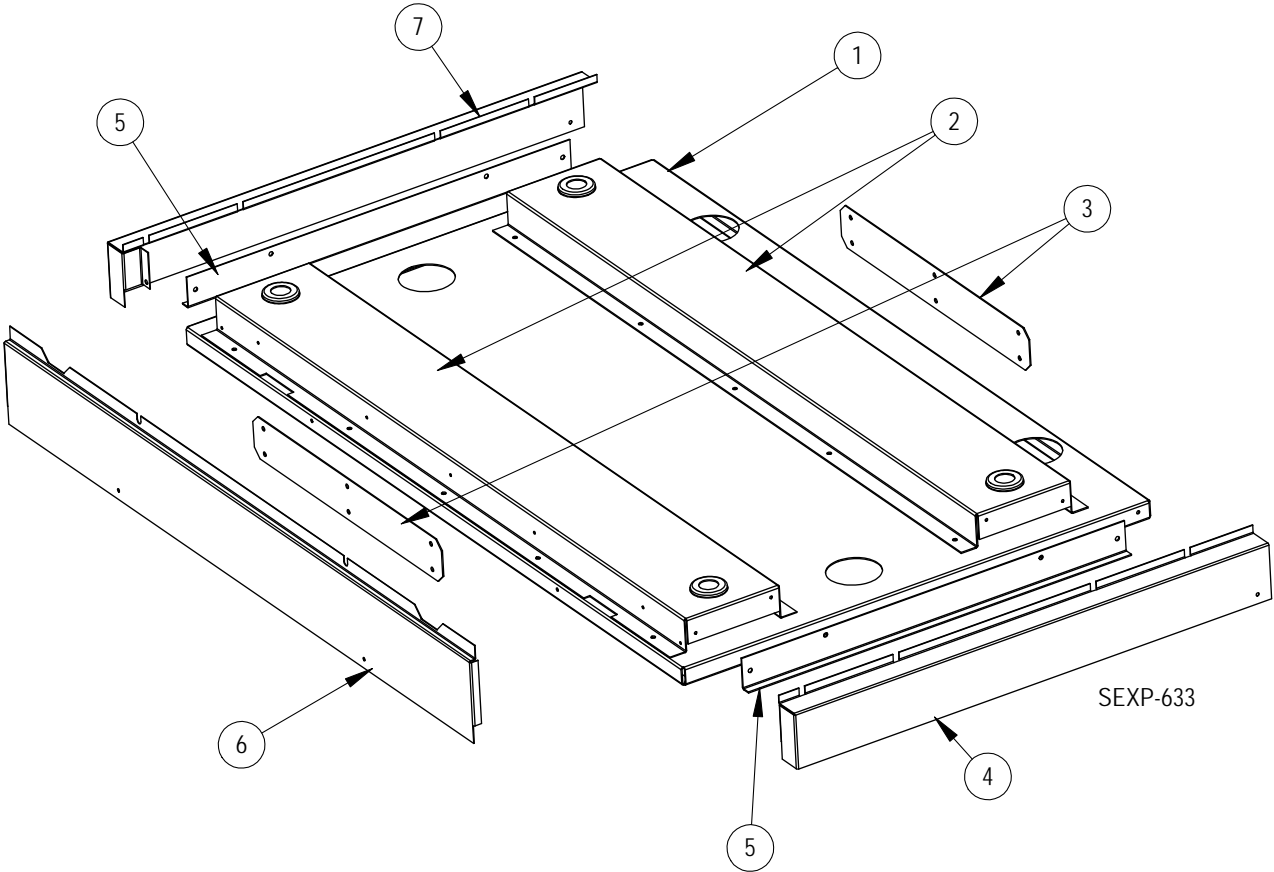


SEXP-632

SLEEVE COMPONENTS

Drawing No.	Part Number	Description	IWS-A	IWS-B	IWS-C
1	S111-188-8 4½" Deep	Outer Sleeve Side	X		
	S111-195-8 7" Deep			X	
	S111-202-8 12" Deep				X
2	S111-187-8 4½" Deep	Outer Sleeve End	X		
	S111-194-8 7" Deep			X	
	S111-201-8 12" Deep				X
3	111-189-8 4½" Deep	Inner Fan Sleeve Side	2		
	111-196-8 7" Deep			2	
	111-203-8 12" Deep				2
4	111-186-8 3½" Deep	Inner Sleeve Side	X		
	111-193-8 6" Deep			X	
	111-200-8 11" Deep				X
5	111-185-8 3½" Deep	Inner Sleeve End	X		
	111-192-8 6" Deep			X	
	111-199-8 11" Deep				X
6	105-1257-8	Grille Support Angle	2	2	2
7	111-184-8 5½" Deep	Outer Sleeve Side	X		
	111-191-8 8" Deep			X	
	111-198-8 13" Deep				X
8	111-183-8 5½" Deep	Outer Sleeve End	X		
	111-190-8 8" Deep			X	
	111-197-8 13" Deep				X
9	ILG-10	Outdoor Louver Grille - Clear anodized	X	X	X
	ILG-20	Outdoor Louver Grille - Medium Bronze	X	X	X
	ILG-30	Outdoor Louver Grille - Dark Bronze	X	X	X

RISER PLATFORM COMPONENTS



RISER PLATFORM COMPONENTS

Drawing No.	Part Number	Description	IRP-3-*	IRP-6-*
1	127-420-X	Base Plate	X	X
2	141-384 3"	Base Rail	2	
	141-385 6"			2
3	112-447	Base Connection Plate	2	2
4	135-311-* 3"	Right Side Trim	X	
	135-314-* 6"			X
5	105-1263 3"	Side Support Angle	2	
	105-1264 6"			2
6	135-309-* 3"	Front Trim	X	
	135-312-* 6"			X
7	135-310-* 3"	Left Side Trim	X	
	135-313-* 6"			X

① Exterior cabinet parts are manufactured with various paint color options. To ensure that you receive the proper paint color, you must include the complete model and serial number of the unit for which cabinet parts are being ordered.