

REPLACEMENT PARTS MANUAL

I-TEC SERIES PACKAGED HEAT PUMP

Models:

I30H1
I30H1D

I36H1
I36H1D

I42H1
I42H1D

I48H1
I48H1D

I60H1
I60H1D

General Notes

- Revised and/or additional pages may be issued from time to time.
- A complete and current manual consists of pages shown in the following contents section.

Important

- Contact the installing and/or local Bard distributor for all parts requirements. Make sure you have the complete model and serial number available from the unit rating plates.

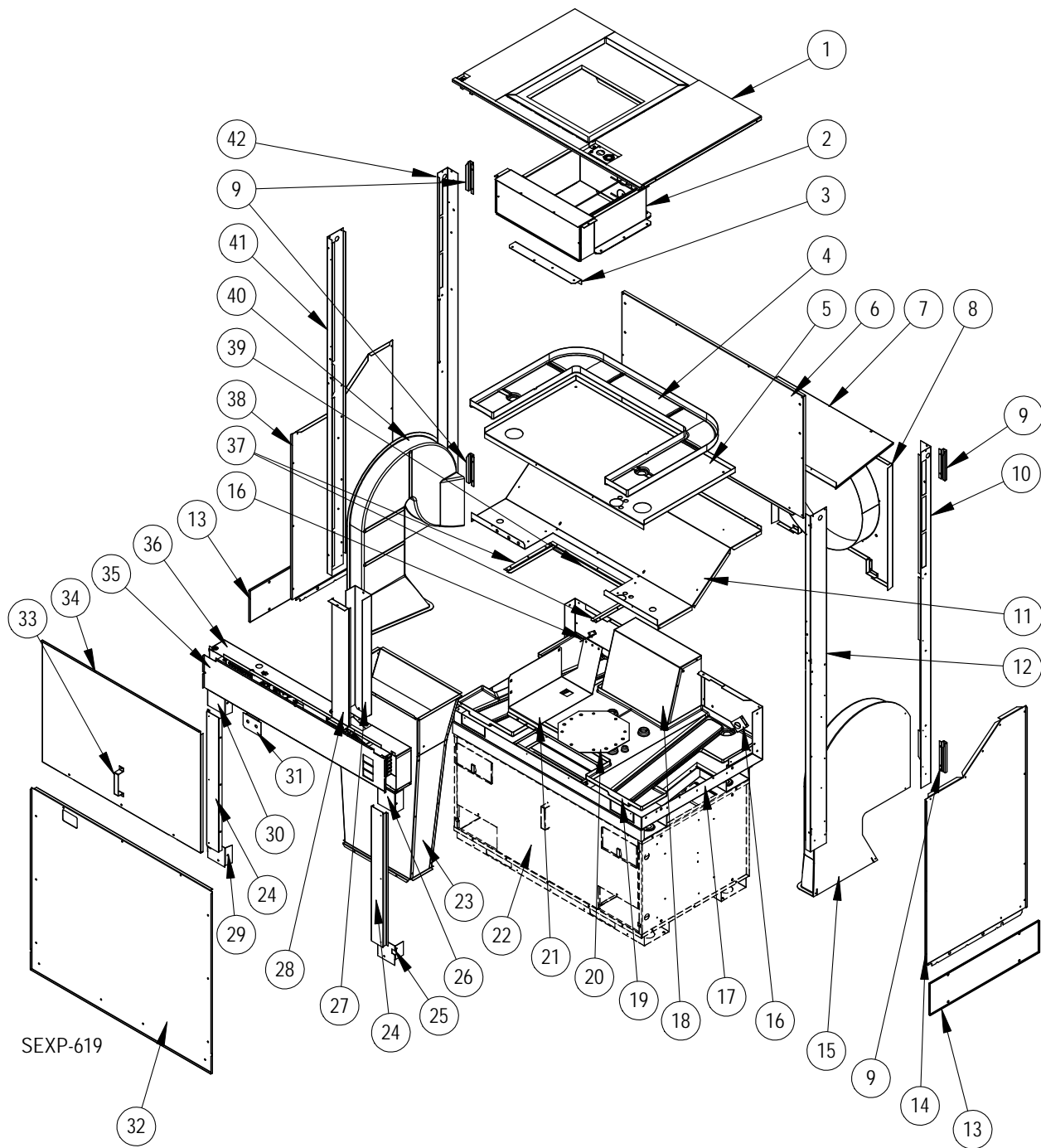
Description	Page
Cabinet Components	
♦ Exploded View	2
♦ Usage List	3
Painted Cabinet Components	
♦ Exploded View	4
♦ Usage List	5
Functional Components	
♦ Exploded View	6
♦ Usage List	7
♦ Usage List	8
Blower Assembly	
♦ Exploded View	9
♦ Usage List	9
Control Panel Components - 1 Phase	
♦ Exploded View	10
♦ Usage List	11
Control Panel Components - 3 Phase	
♦ Exploded View	12
♦ Usage List	13
Control Panel Components - 460V 3 Phase	
♦ Exploded View	14
♦ Usage List	15
Electric Heater Components	
♦ Exploded View	16
♦ Usage List	17
♦ Usage List	18
♦ Usage List	19
Vent Box (Only) Components	
♦ Exploded View	20
♦ Usage List	21
CRV Components	
♦ Exploded View	22
♦ Usage List	23
ERV Components	
♦ Exploded View	24
♦ Usage List	25
ERV Control Panel Components	
♦ Exploded View	26
♦ Usage List	27
ERV Cassette Components	
♦ Exploded View	28
♦ Usage List	29
CRV / ERV Blower Components	
♦ Exploded View	30
♦ Usage List	31
Sleeve Components	
♦ Exploded View	32
♦ Usage List	33
Riser Platform Components	
♦ Exploded View	34
♦ Usage List	35



Bard Manufacturing Company, Inc.
Bryan, Ohio 43506
Since 1914...Moving ahead, just as planned.

Manual: 2110-585K
Supersedes: 2110-585J
File: Tab 16
Date: 03-14-13
REVISED: 1-23-23

CABINET COMPONENTS

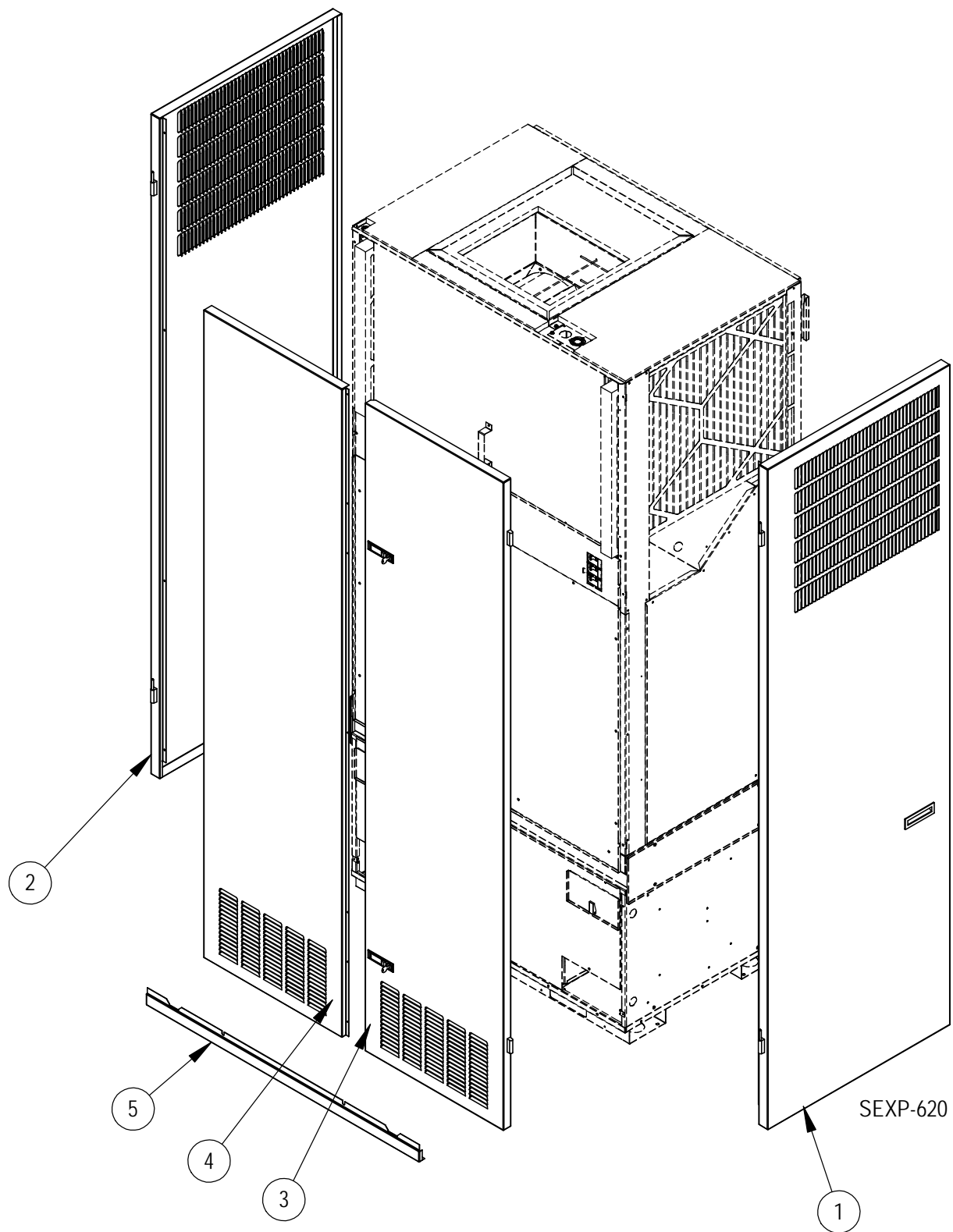


CABINET COMPONENTS

Drawing No.	Part Number	Description	All Models
1	S507-296	Top Assembly	X
2	See Heater Pkg. Section	Heater Package	X
3	105-1256	Front blower angle	X
4	6096-001	Indoor drain pan	X
5	S141-383	Evap. Coil Support	X
6	509-259-8	Unit Back Assembly	X
7	S137-641	Cond. Coil Top Fill	X
8	S125-065	Fan Shroud/Venturi Assembly	X
9	113-439	Side Bracket	4
10	S149-120	Right Rear Corner	X
11	S121-456	Condenser Partition	X
12	S149-123	Right Front Corner	X
13	S113-438	Unit Connection Bracket	2
14	S101X635	Right Inner Side Panel	X
15	S7001-024	Right Hand Inlet Duct (used on CRV & ERV units only)	X
16	113-429	Evap. Drain Tube Bracket	2
17	S127-416	Condenser Base Assembly	X
18	S921-0003	Exhaust Duct Assembly	X
19	6096-002	Outdoor Drain Pan	X
20	126-417	Compressor Mounting Base	X
21	113-445	460V trans. Mtg brkt. (I36-42-48)	X
	113-449	460V trans. Mtg brkt. (I60 Only)	X
22	See Vent Section	Vent Option	X
23	511-177	Intake Duct Assembly (used on CRV and ERV units only)	X
24	S141-391	Condenser Coil Access Door	X
25	S141X390	Lower Right Condenser Coil Support	X
26	S141X389	Upper Right Condenser Coil Support	X
27	165-599	High Voltage Wire Channel	X
28	143-157	High Voltage Wire Channel Cover	X
29	S141Y390	Lower Left Condenser Coil Support	X
30	S141Y389	Upper Left Condenser Coil Support	X
31	S113-440	Dual Service Port Bracket	X
32	S553-498	Condenser Door	X
33	113-441	Door Latch Bracket	X
34	S553-496	Evaporator Door	X
35	S153-497	Control Panel Door (230V Units)	X
	S153-501	Control Panel Door (460V Units)	X
36	See Control Panel Section	Control Panel	X
37	103-493	Cond. Partition Side Offset	2
38	S101Y635	Left Inner Side Panel	X
39	103-494	Cond. Partition Rear Offset	X
40	S7001-025	Left Hand Inlet Duct (used on CRV & ERV units only)	X
41	S149-121	Left Front Corner	X
42	S149-122	Left Rear Corner	X
NS	S113-426	Top Mounting Bracket	X

NS = Not Shown

PAINTED CABINET COMPONENTS



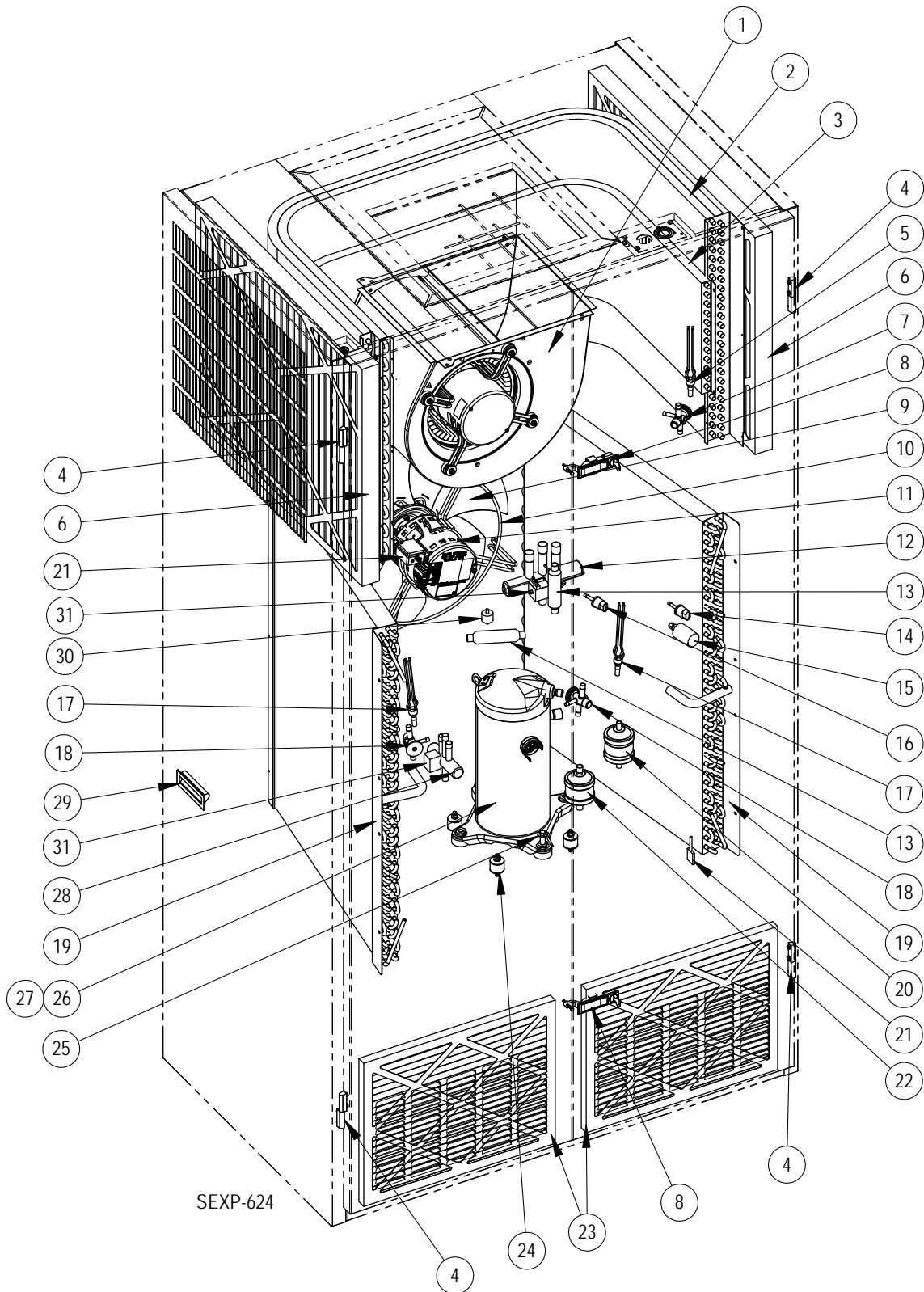
PAINTED CABINET COMPONENTS

Drawing No.	Part Number	Description	All Models
1	501-636-*	Right Side	X
2	501-637-*	Left Side	X
3	S553-500-*	Right Front Door	X
4	S553-499-*	Left Front Door	X
5	115-206-*	Front Unit Trim	X

* Exterior cabinet parts are manufactured with various paint color options. To ensure that you receive the proper paint color, please reference the following codes:

Beige -X
White -1
Buckeye Gray -4

FUNCTIONAL COMPONENTS



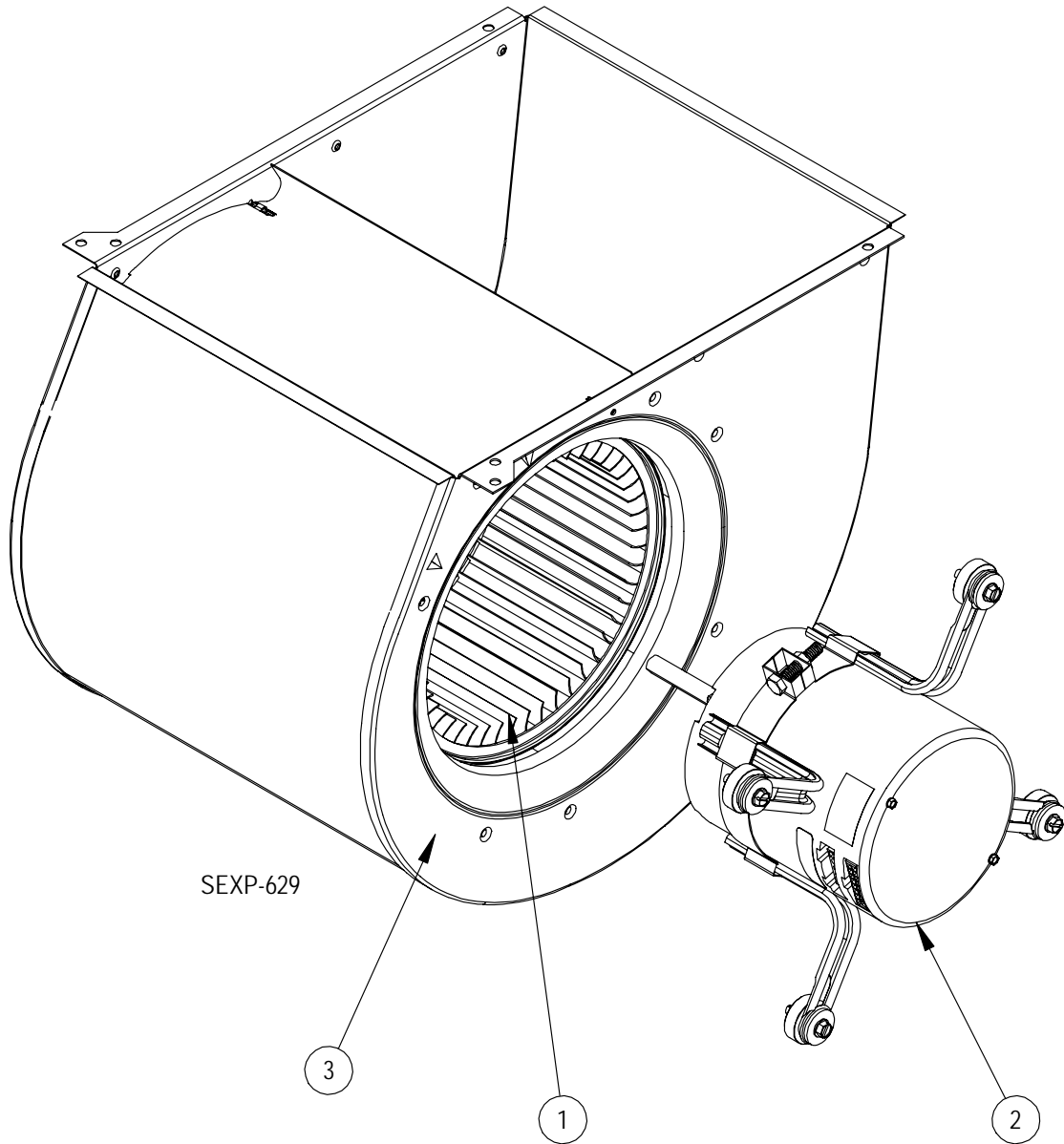
FUNCTIONAL COMPONENTS

Drawing No.	Part Number	Description	130H1-A	130H1-B	130H1-C	130H1DA	130H1DB	130H1DC	136H1-A	136H1-B	136H1-C	136H1DA	136H1DB	136H1DC	142H1-A	142H1-B	142H1-C	142H1DA	142H1DB	142H1DC	148H1-A	148H1-B	148H1-C	148H1DA	148H1DB	148H1DC	160H1-A	160H1-B	160H1-C	160H1DA	160H1DB	160H1DC						
1	S5154-002-0090	Complete Blower Assembly See Blower section for individual components																																				
	S5154-005-0089																																					
	S5154-005-0088																																					
	S5154-005-0087																																					
	S5154-006-0081																																					
2	5060-174BX	Evaporator Coil																																				
	5060-168BX																																					
	5060-175BX																																					
3	5051-173BX	Dehumidification Reheat Coil																																				
	5051-174BX																																					
4	5400-006	Polymide Lift-Off Hinge																																				
	5625-014																																					
5	5625-007	Distributor																																				
	5625-008																																					
	7004-050																																					
6	7004-051	MERV 8 Filter MERV 11 Filter MERV 13 Filter																																				
	7004-053																																					
	5651-200																																					
7	5651-211	Expansion Valve																																				
	5651-210																																					
	5651-212																																					
	1171-063		Lockable Latch																																			
9	5151-058	Fan Blade																																				
	8200-045	Fan Mount																																				
11	S8105-058-0109	Programmed Outdoor Motor																																				
	S8105-058-0095																																					
	S8106-054-0096																																					
12	5650-038	Reversing Valve																																				
	5650-039																																					
13	5651-219	Check Valve																																				
	1804-0462		High Pressure Switch, 650 PSIG																																			
15	8406-112	Low Ambient Control																																				
	1804-0107		Low Pressure Switch																																			
17	5625-013	Distributor																																				
	5625-007																																					
18	5651-217	Expansion Valve																																				
	5651-218																																					
	5651-200																																					
19	5051-190BX	Condenser Coil																																				
	5051-189BX																																					
20	5051-191BX	Filter-Drier																																				
	5201-019																																					
	5201-020																																					

FUNCTIONAL COMPONENTS

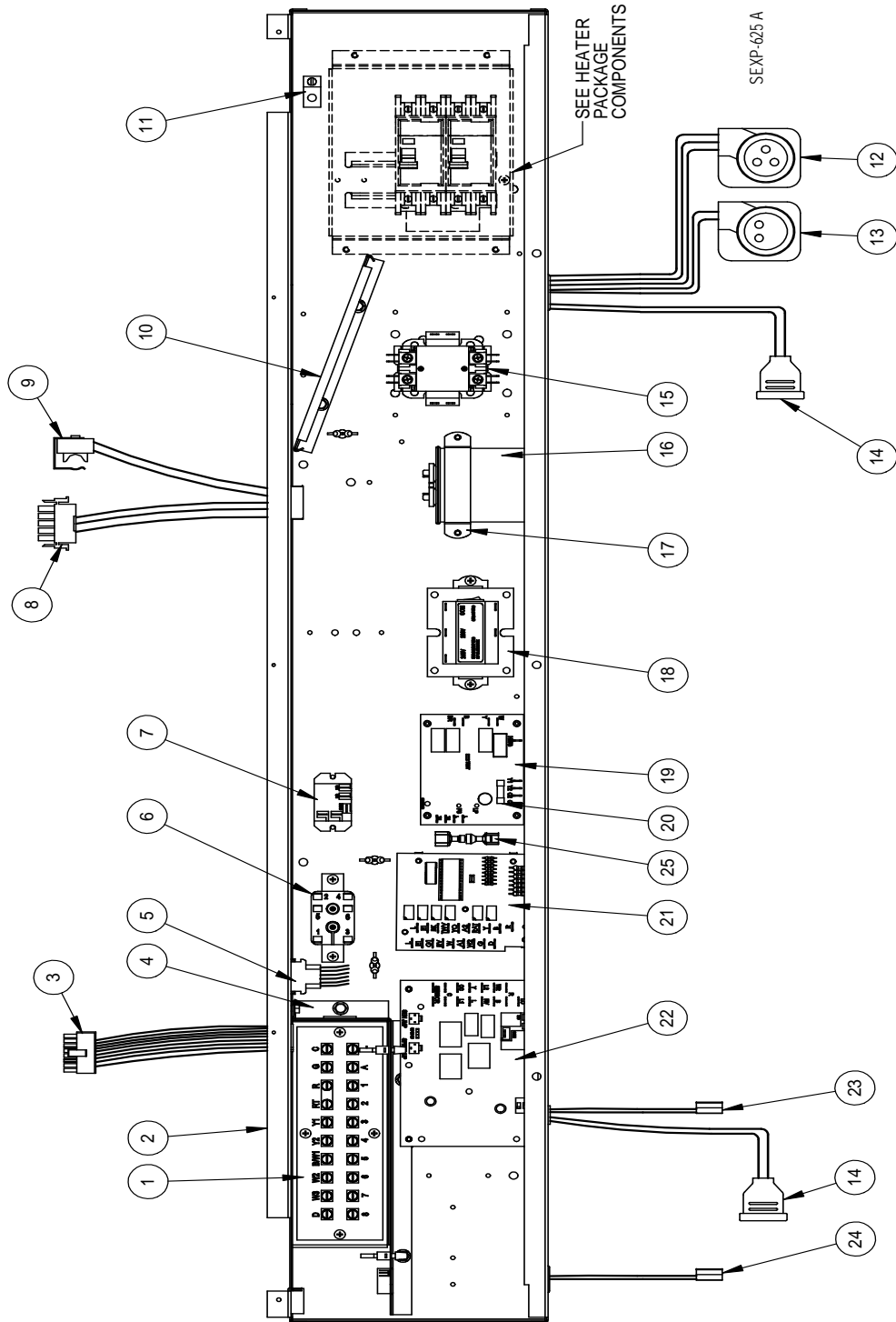
Drawing No.	Part Number	Description	130H1-A	130H1-B	130H1-C	130H1DA	130H1DB	130H1DC	136H1-A	136H1-B	136H1-C	136H1DA	136H1DB	136H1DC	142H1-A	142H1-B	142H1-C	142H1DA	142H1DB	142H1DC	148H1-A	148H1-B	148H1-C	148H1DA	148H1DB	148H1DC	160H1-A	160H1-B	160H1-C	160H1DA	160H1DB	160H1DC				
21	S910-1815	Condenser Overflow	X	X	X	X	X	X	X	X	X	X	X	X	X	X	X	X	X	X	X	X	X	X	X	X	X	X	X	X	X	X				
22	5220-013	Pulsation Dampener/ Muffler	X	X	X	X	X	X	X	X	X	X	X	X	X	X	X	X	X	X	X	X	X	X	X	X	X	X	X	X	X	X				
23	7004-003	Filter	X	X	X	X	X	X	X	X	X	X	X	X	X	X	X	X	X	X	X	X	X	X	X	X	X	X	X	X	X	X	X			
24	8001-013	Compressor Grommet	X	X	X	X	X	X	X	X	X	X	X	X	X	X	X	X	X	X	X	X	X	X	X	X	X	X	X	X	X	X	X			
25	1012-328	Compressor Bolt	X	X	X	X	X	X	X	X	X	X	X	X	X	X	X	X	X	X	X	X	X	X	X	X	X	X	X	X	X	X	X			
	8000-388																																			
	8000-389						X																													
	8000-390				X																															
	8000-379					X																														
	8000-380					X																														
	8000-381					X																														
	8000-391																																			
26	8000-392	Compressor					X																													
	8000-393																																			
	8000-382																																			
	8000-383																																			
	8000-384																																			
	8000-385																																			
	8000-386																																			
	8000-387																																			
27	8002-012	Compressor Sound Cover	X	X	X	X	X	X	X	X	X	X	X	X	X	X	X	X	X	X	X	X	X	X	X	X	X	X	X	X	X	X	X	X		
	8002-013																																			
28	5650-051	Dehum. Valve, 4-Pipe					X						X																							
29	1171-060	Flush Plastic Door Pull	2	2	2	2	2	2	2	2	2	2	2	2	2	2	2	2	2	2	2	2	2	2	2	2	2	2	2	2	2	2	2	2	2	
30	5451-018	Motor Mount Grommet	2	2	2	2	2	2	2	2	2	2	2	2	2	2	2	2	2	2	2	2	2	2	2	2	2	2	2	2	2	2	2	2	2	
31	5650-046	Rev. Valve Solenoid - Black casing	X	X	X	X	X	X	X	X	X	X	X	X	X	X	X	X	X	X	X	X	X	X	X	X	X	X	X	X	X	X	X	X	X	
NS	6094-011	3/4" Barbed Drain Pan Fitting	4	4	4	4	4	4	4	4	4	4	4	4	4	4	4	4	4	4	4	4	4	4	4	4	4	4	4	4	4	4	4	4		
NS	6001-016	Nylon Barbed Tee	X	X	X	X	X	X	X	X	X	X	X	X	X	X	X	X	X	X	X	X	X	X	X	X	X	X	X	X	X	X	X	X	X	
NS	7950-021	1" Hose Clamp	8	8	8	8	8	8	8	8	8	8	8	8	8	8	8	8	8	8	8	8	8	8	8	8	8	8	8	8	8	8	8	8		
	4202-101		X																																	
	4202-102																																			
NS	4202-201	Wiring Diagram		X																																
	4202-202							X																												
	4202-301																																			
	4202-302																																			

BLOWER ASSEMBLY COMPONENTS



Drawing No.	Part Number	Description	5154-002-0090	5154-005-0089	5154-005-0088	5154-005-0087	5154-006-0081
1	5152-049	Blower Wheel	X	X	X	X	X
2	S8105-058-0090	1/3 HP Programmed Motor	X				
	S8106-051-0089	1/2 HP Programmed Motor		X			
	S8106-051-0088	1/2 HP Programmed Motor			X		
	S8106-051-0087	1/2 HP Programmed Motor				X	
	S8107-016-0081	3/4 HP Programmed Motor					X

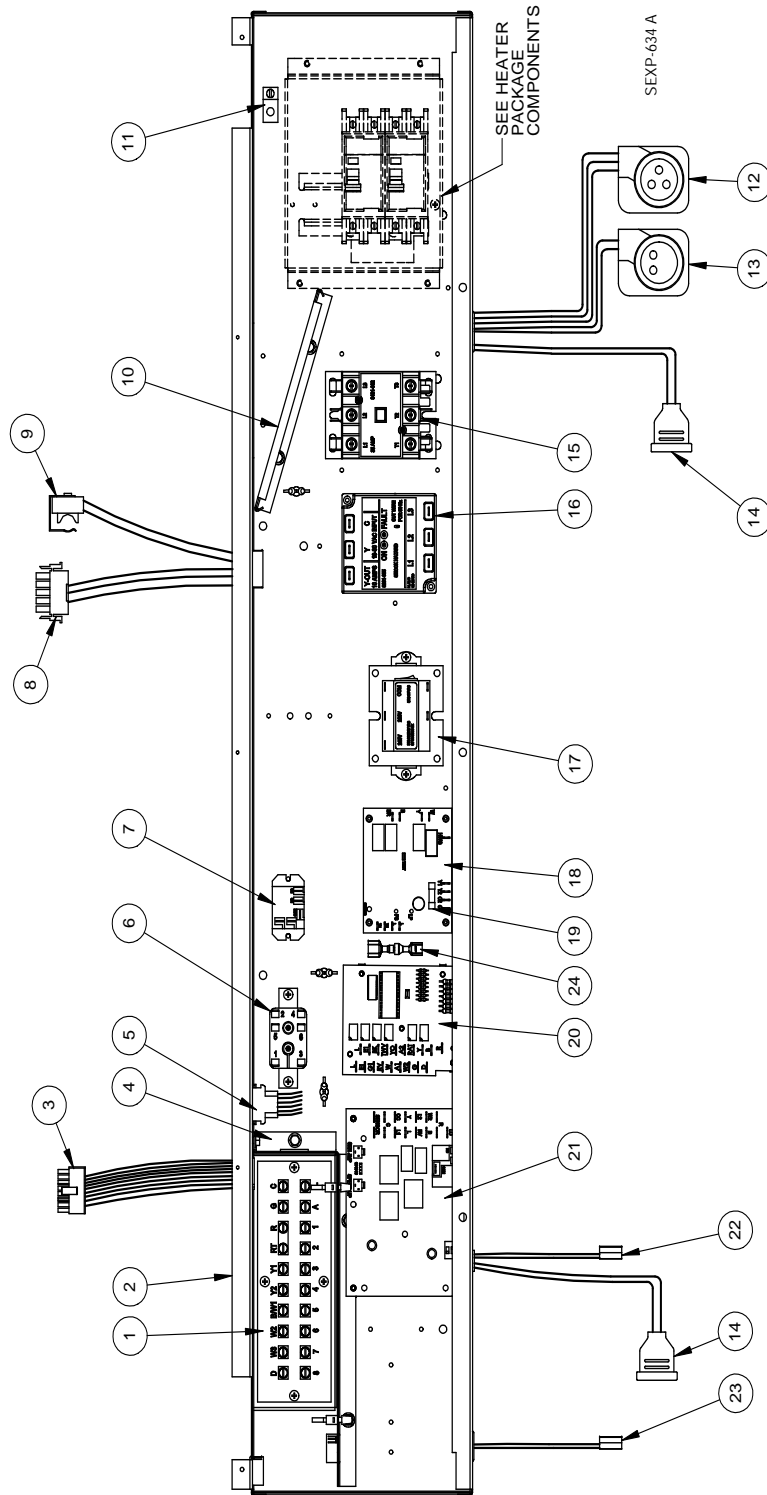
CONTROL PANEL COMPONENTS — 1 PHASE



CONTROL PANEL COMPONENTS — 1 PHASE

Drawing No.	Part Number	Description	I30H1-A	I30H1DA	I36H1-A	I36H1DA	I42H1-A	I42H1DA	I48H1-A	I48H1DA	I60H1-A	I60H1DA
1	8607-032	Low Voltage Terminal Strip	X	X	X	X	X	X	X	X	X	X
2	517-318	Control Panel	X	X	X	X	X	X	X	X	X	X
3	3000-1396	16 pin 24V Indoor Blower Motor Control	X	X	X	X	X	X	X	X	X	X
4	117-319	Low Voltage terminal box	X	X	X	X	X	X	X	X	X	X
5	3000-1397	6 Pin Elect. Heat	X	X	X	X	X	X	X	X	X	X
6	8201-015	Relay	X	X	X	X	X	X	X	X	X	X
7	8201-130	Relay		X		X		X		X		X
8	3000-1398	5 Pin Indoor Blower Motor Power	X	X	X	X	X	X	X	X	X	X
9	8408-038	Freeze protect thermostat	X	X	X	X	X	X	X	X	X	X
10	135-319	Wire Shield	X	X	X	X	X	X	X	X	X	X
11	8611-006	Ground Terminal	X	X	X	X	X	X	X	X	X	X
12	3000-1222	Compressor Power Plug	X	X	X	X	X	X	X	X	X	X
13	3000-1223	Compressor Solenoid Plug	X	X	X	X	X	X	X	X	X	X
14	5650-044	Solenoid Valve plug	X	2	X	2	X	2	X	2	X	2
15	8401-025	Contactora 2 Pole 40 Amp	X	X	X	X	X	X	X	X	X	X
16	8552-035	Capacitor 40MFD 370V	X	X	X	X						
	8552-043	Capacitor 45MFD 370V					X	X				
	8552-095	Capacitor 30MFD 370V							X	X		
	8552-096	Capacitor 40MFD 440V									X	X
17	8550-007	Capacitor Bracket 2" Round	X	X	X	X					X	X
	8550-008	Capacitor Bracket 2-1/2" Round					X	X				
	8550-006	Capacitor Bracket 1-3/4" Round							X	X		
18	8407-048	Transformer 75VA with Circuit Breaker	X	X	X	X	X	X	X	X	X	X
19	8201-128	Fan Logic Control	X	X	X	X	X	X	X	X	X	X
20	8614-052	3.15 Amp Fuse	X	X	X	X	X	X	X	X	X	X
21	8201-113	Dehum Logic Board		X		X		X		X		X
22	8201-129	Defrost Control Board	X	X	X	X	X	X	X	X	X	X
23	910-1790	Defrost Sensor	X	X	X	X	X	X	X	X	X	X
24	8408-043	Fan Control Thermistor	X	X	X	X	X	X	X	X	X	X
25	910-1816	Fan Control Resistor (Optional)	X	X	X	X	X	X	X	X	X	X

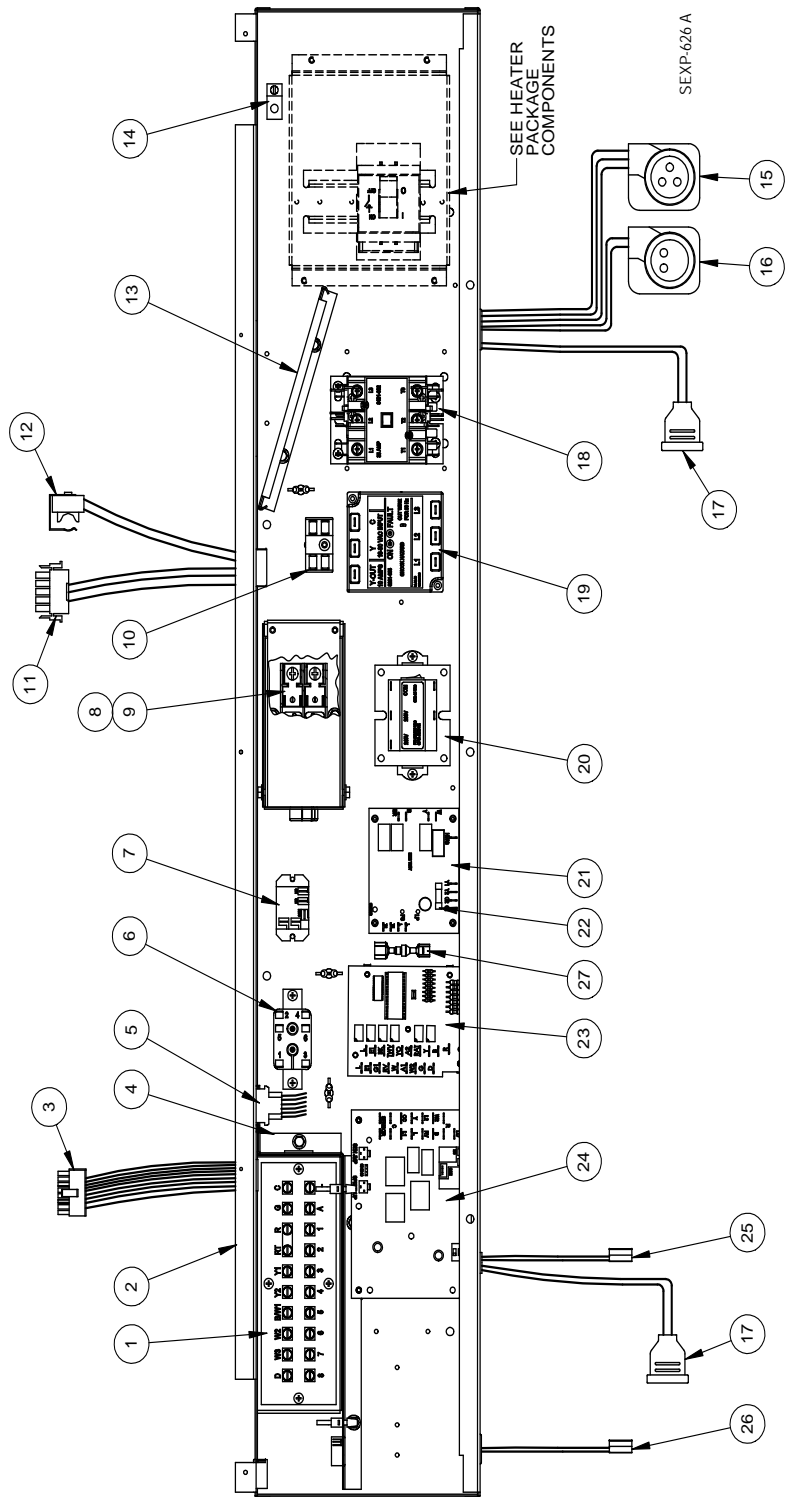
CONTROL PANEL COMPONENTS — 3 PHASE



CONTROL PANEL COMPONENTS — 3 PHASE

Drawing No.	Part Number	Description	I30HI-B	I30HIDB	I36HI-B	I36HIDB	I42HI-B	I42HIDB	I48HI-B	I48HIDB	I60HI-B	I60HIDB
1	8607-032	Low Voltage Terminal Strip	X	X	X	X	X	X	X	X	X	X
2	517-318	Control Panel	X	X	X	X	X	X	X	X	X	X
3	3000-1396	16 pin 24V Indoor Blower Motor Control	X	X	X	X	X	X	X	X	X	X
4	117-319	Low Voltage Terminal Box	X	X	X	X	X	X	X	X	X	X
5	3000-1397	6 Pin Elect. Heat	X	X	X	X	X	X	X	X	X	X
6	8201-015	Relay	X	X	X	X	X	X	X	X	X	X
7	8201-130	Relay		X		X		X		X		X
8	3000-1398	5 Pin Indoor Blower Motor Power	X	X	X	X	X	X	X	X	X	X
9	8408-038	Freeze Protect Thermostat	X	X	X	X	X	X	X	X	X	X
10	135-319	Wire Shield	X	X	X	X	X	X	X	X	X	X
11	8611-006	Ground Terminal	X	X	X	X	X	X	X	X	X	X
12	3000-1231	Compressor Power Plug	X	X	X	X	X	X	X	X	X	X
13	3000-1223	Compressor Solenoid Plug	X	X	X	X	X	X	X	X	X	X
14	5650-044	Solenoid Valve Plug	X	2	X	2	X	2	X	2	X	2
15	8401-002	Contactora 3 Pole 25 Amp	X	X	X	X	X	X	X	X	X	X
16	8201-126	3-PH Line Monitor	X	X	X	X	X	X	X	X	X	X
17	8407-048	Transformer 75VA with Circuit Breaker	X	X	X	X	X	X	X	X	X	X
18	8201-128	Fan Logic Control	X	X	X	X	X	X	X	X	X	X
19	8614-052	3.15 Amp Fuse	X	X	X	X	X	X	X	X	X	X
20	8201-113	Dehum Logic Board		X		X		X		X		X
21	8201-129	Defrost Control Board	X	X	X	X	X	X	X	X	X	X
22	910-1790	Defrost Sensor	X	X	X	X	X	X	X	X	X	X
23	8408-043	Fan Control Thermistor	X	X	X	X	X	X	X	X	X	X
24	S910-1816	Fan Control Resistor (Optional)	X	X	X	X	X	X	X	X	X	X

CONTROL PANEL COMPONENTS — 460V 3 PHASE

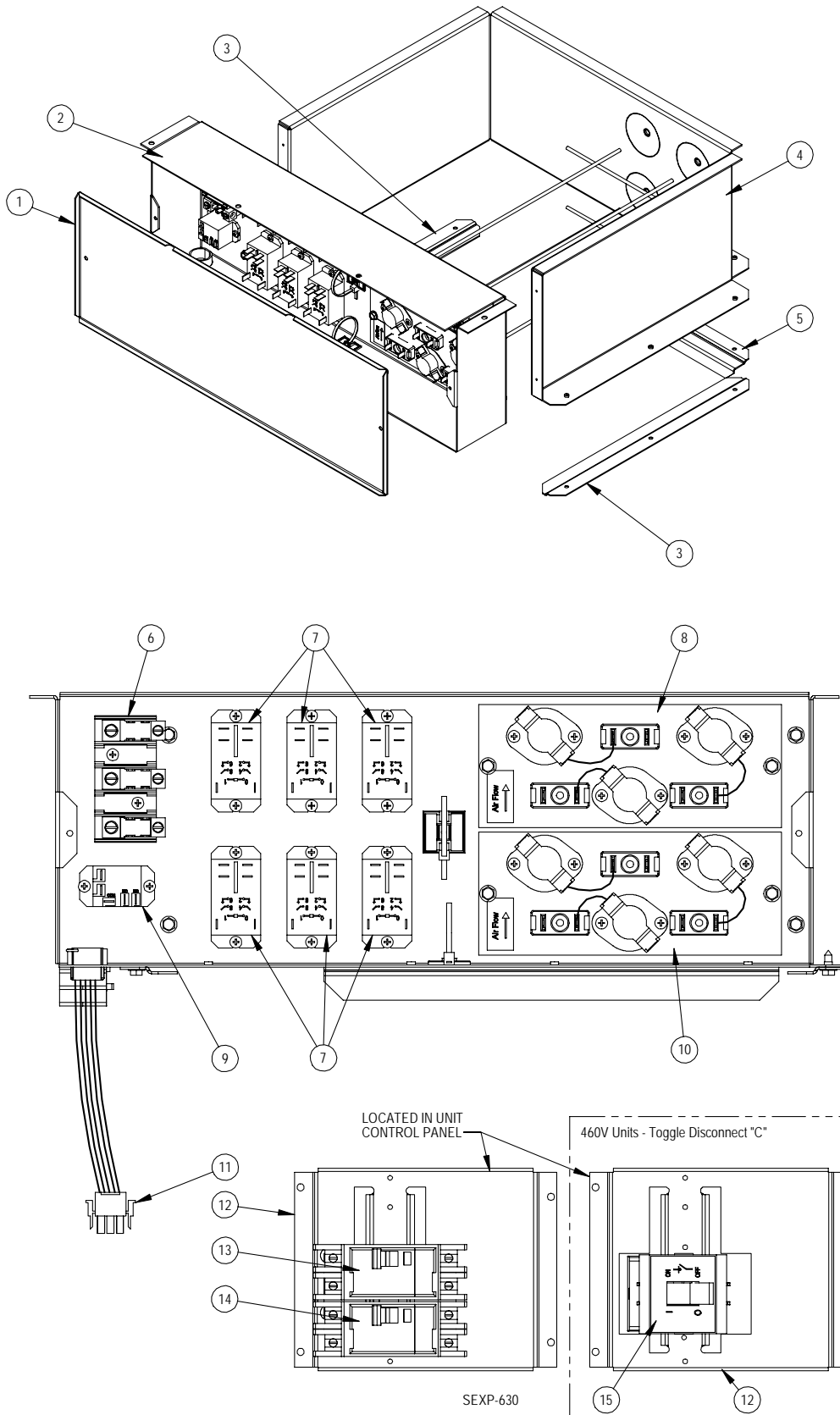


CONTROL PANEL COMPONENTS — 460V 3 PHASE

Drawing No.	Part Number	Description	I30H1-C	I30H1DC	I36H1-C	I36H1DC	I42H1-C	I42H1DC	I48H1-C	I48H1DC	I60H1-C	I60H1DC
1	8607-032	Low Voltage Terminal Strip	X	X	X	X	X	X	X	X	X	X
2	517-318	Control Panel	X	X	X	X	X	X	X	X	X	X
3	3000-1396	16 pin 24V Indoor Blower Motor Control	X	X	X	X	X	X	X	X	X	X
4	117-319	Low Voltage Terminal Box	X	X	X	X	X	X	X	X	X	X
5	3000-1397	6 Pin Elect. Heat	X	X	X	X	X	X	X	X	X	X
6	8201-015	Relay	X	X	X	X	X	X	X	X	X	X
7	8201-130	Relay		X		X		X		X		X
8	8614-041	Fuse Block	X	X	X	X	X	X	X	X	X	X
9	<i>See Separate Chart (Below) for Item #9</i>											
10	8607-017	Terminal Block	X	X	X	X	X	X	X	X	X	X
11	3000-1398	5 Pin Indoor Blower Motor Power	X	X	X	X	X	X	X	X	X	X
12	8408-038	Freeze Protect Thermostat	X	X	X	X	X	X	X	X	X	X
13	135-319	Wire Shield	X	X	X	X	X	X	X	X	X	X
14	8611-006	Ground Terminal	X	X	X	X	X	X	X	X	X	X
15	3000-1231	Compressor Power Plug	X	X	X	X	X	X	X	X	X	X
16	3000-1223	Compressor Solenoid Plug	X	X	X	X	X	X	X	X	X	X
17	5650-044	Solenoid Valve Plug	X	2	X	2	X	2	X	2	X	2
18	8401-002	Contactor 3 Pole 25 Amp	X	X	X	X	X	X	X	X	X	X
19	8201-126	3-PH Line Monitor	X	X	X	X	X	X	X	X	X	X
20	8407-048	Transformer 75VA with Circuit Breaker	X	X	X	X	X	X	X	X	X	X
21	8201-128	Fan Logic Control	X	X	X	X	X	X	X	X	X	X
22	8614-052	3.15 Amp Fuse	X	X	X	X	X	X	X	X	X	X
23	8201-113	Dehum Logic Board		X		X		X		X		X
24	8201-129	Defrost Control Board	X	X	X	X	X	X	X	X	X	X
25	910-1790	Defrost Sensor	X	X	X	X	X	X	X	X	X	X
26	8408-043	Fan Control Thermistor	X	X	X	X	X	X	X	X	X	X
27	S910-1816	Fan Control Resistor (Optional)	X	X	X	X	X	X	X	X	X	X

		With Vent	No Vent
9	I30H1-C	(2) Part #8614-046 5A Class CC Fuse	(2) Part #8614-047 3.2A Class CC Fuse
	I30H1DC	(2) Part #8614-046 5A Class CC Fuse	(2) Part #8614-047 3.2A Class CC Fuse
	I36H1-C	(2) Part #8614-042 7A Class CC Fuse	(2) Part #8614-046 5A Class Fuse
	I36H1DC	(2) Part #8614-042 7A Class CC Fuse	(2) Part #8614-046 5A Class CC Fuse
	I42H1-C	(2) Part #8614-042 7A Class CC Fuse	(2) Part #8614-046 5A Class CC Fuse
	I42H1DC	(2) Part #8614-042 7A Class CC Fuse	(2) Part #8614-046 5A Class CC Fuse
	I48H1-C	(2) Part #8614-042 7A Class CC Fuse	(2) Part #8614-046 5A Class CC Fuse
	I48H1DC	(2) Part #8614-042 7A Class CC Fuse	(2) Part #8614-046 5A Class CC Fuse
	I60H1-C	(2) Part #8614-043 10A Class CC Fuse	(2) Part #8614-042 7A Class CC Fuse
	I60H1DC	(2) Part #8614-043 10A Class CC Fuse	(2) Part #8614-042 7A Class CC Fuse

ELECTRIC HEATER COMPONENTS



ELECTRIC HEATER COMPONENTS

Drawing No.	Part No.	Description	I30H1-A0Z, I30H1DA0Z	I30H1-A05, I30H1DA05	I30H1-A10, I30H1DA10	I36H1-A0Z, I36H1DA0Z	I36H1-A05, I36H1DA05	I36H1-A10, I36H1DA10	I36H1-A15, I36H1DA15	I42H1-A0Z, I42H1DA0Z	I42H1-A05, I42H1DA05	I42H1-A10, I42H1DA10	I42H1-A15, I42H1DA15	I48H1-A0Z, I48H1DA0Z	I48H1-A04, I48H1DA04	I48H1-A05, I48H1DA05	I48H1-A10, I48H1DA10	I48H1-A15, I48H1DA15	I48H1-A20, I48H1DA20	I60H1-A0Z, I60H1DA0Z	I60H1-A05, I60H1DA05	I60H1-A10, I60H1DA10	I60H1-A15, I60H1DA15	I60H1-A20, I60H1DA20
1	143-148	Heater Box Cover	X	X	X	X	X	X	X	X	X	X	X	X	X	X	X	X	X	X	X	X	X	X
2	117-313	Heater Front Plate	X	X	X	X	X	X	X	X	X	X	X	X	X	X	X	X	X	X	X	X	X	X
3	103-486	Side Blower Offset	2	2	2	2	2	2	2	2	2	2	2	2	2	2	2	2	2	2	2	2	2	2
4	117-307	Heater Wrapper	X	X	X	X	X	X	X	X	X	X	X	X	X	X	X	X	X	X	X	X	X	X
5	103-487	Rear Blower Angle	X	X	X	X	X	X	X	X	X	X	X	X	X	X	X	X	X	X	X	X	X	X
7	8401-036	Contactora 2-Pole 30A		X	2		X	2	3		X	2	2		X	X	2	3	4		X	2	3	4
8	142-159	Heater Blank Off Plate	X	X	X	X	X		X	X	X		X	X	X	X				X	X	X		
	8604-135	Heat Strip 5KW							X				X					X					X	
	8604-136	Heat Strip 10KW																	X					X
9	8201-130	Relay		X	X		X	X	X		X	X	X		X	X	X	X	X		X	X	X	X
10	142-159	Heater Blank Off Plate	X			X				X				X						X				
	8604-135	Heat Strip 5KW		X			X				X					X						X		
	8604-136	Heat Strip 10KW			X			X	X			X	X					X	X	X			X	X
	8604-134	Heat Strip 4KW													X	X								
11	3000-1402	6-Pin Electric Heater Wire Harness		X	X		X	X	X		X	X	X		X	X	X	X	X		X	X	X	X
12	127-418	Circuit Breaker Base	X	X	X	X	X	X	X	X	X	X	X	X	X	X	X	X	X	X	X	X	X	X
13	8615-037	Circuit Breaker 30A 2-Pole			X											X						X		
	8615-041	Circuit Breaker 60A 2-Pole						X	X			X	X					X	X	X			X	X
14	8615-038	Circuit Breaker 35A 2-Pole	X																					
	8615-040	Circuit Breaker 50A 2-Pole		X	X									X		X								
	8615-055	Circuit Breaker 40A 2-Pole				X		X	X															
	8615-041	Circuit Breaker 60A 2-Pole					X				X				X					X	X	X	X	X
	8615-039	Circuit Breaker 45A 2-Pole								X		X	X					X	X					
NS	4203-100	Wiring Diagram	X			X				X				X							X			
NS	4203-101	Wiring Diagram		X			X				X				X									
NS	4203-103	Wiring Diagram			X			X				X					X						X	
NS	4203-104	Wiring Diagram							X				X					X						X
NS	4203-102	Wiring Diagram														X						X		
NS	4203-105	Wiring Diagram																	X					X

NS = Not Shown

ELECTRIC HEATER COMPONENTS

Drawing No.	Part Number	Description	I30H1-B0Z, I30H1DB0Z	I30H1-B06, I30H1DB06	I30H1-B09, I30H1DB09	I36H1-B0Z, I36H1DB0Z	I36H1-B06, I36H1DB06	I36H1-B09, I36H1DB09	I36H1-B15, I36H1DB15	I42H1-B0Z, I42H1DB0Z	I42H1-B06, I42H1DB06	I42H1-B09, I42H1DB09	I42H1-B15, I42H1DB15	I48H1-B0Z, I48H1DB0Z	I48H1-B06, I48H1DB06	I48H1-B09, I48H1DB09	I48H1-B15, I48H1DB15	I48H1-B18, I48H1DB18	I60H1-B0Z, I60H1DB0Z	I60H1-B06, I60H1DB06	I60H1-B09, I60H1DB09	I60H1-B15, I60H1DB15	I60H1-B18, I60H1DB18	
1	143-148	Heater Box Cover	X	X	X	X	X	X	X	X	X	X	X	X	X	X	X	X	X	X	X	X	X	X
2	117-313	Heater Front Plate	X	X	X	X	X	X	X	X	X	X	X	X	X	X	X	X	X	X	X	X	X	X
3	103-486	Side Blower Offset	2	2	2	2	2	2	2	2	2	2	2	2	2	2	2	2	2	2	2	2	2	2
4	117-307	Heater Wrapper	X	X	X	X	X	X	X	X	X	X	X	X	X	X	X	X	X	X	X	X	X	X
5	103-487	Rear Blower Angle	X	X	X	X	X	X	X	X	X	X	X	X	X	X	X	X	X	X	X	X	X	X
6	8607-014	Terminal Block																X						X
7	8401-036	Contactors 2-Pole 30A		3	3		3	3	6		3	3	6		3	3	6	6		3	3	6	6	
8	142-159	Heater Blank Off Plate	X	X	X	X	X	X		X	X	X		X	X	X			X	X	X			
	8604-137	Heat Strip 6KW							X				X				X						X	
	8604-138	Heat Strip 9KW																X						X
9	8201-130	Relay		X	X		X	X	X		X	X	X		X	X	X	X	X		X	X	X	X
10	142-159	Heater Blank Off Plate	X			X				X				X					X					
	8604-137	Heat Strip 6KW		X			X				X				X					X				
	8604-138	Heat Strip 9KW			X			X	X			X	X			X	X	X				X	X	X
11	3000-1402	6-Pin Electric Heater Wire Harness		X	X		X	X	X		X	X	X		X	X	X	X		X	X	X	X	X
12	127-418	Circuit Breaker Base	X	X	X		X	X	X	X	X	X	X	X	X	X	X	X	X	X	X	X	X	X
13	8615-046	Circuit Breaker 60A 3-Pole							X				X				X						X	X
14	8615-051	Circuit Breaker 25A 3-Pole	X																					
	8615-042	Circuit Breaker 35A 3-Pole		X						X				X										
	8615-052	Circuit Breaker 30A 3-Pole				X																		
	8615-044	Circuit Breaker 45A 3-Pole			X		X		X				X					X		X			X	X
	8615-045	Circuit Breaker 50A 3-Pole						X				X			X									
	8615-046	Circuit Breaker 60A 3-Pole										X				X			X		X	X		
NS	4203-200	Wiring Diagram	X			X				X				X					X					
NS	4203-201	Wiring Diagram		X	X		X	X			X	X			X	X				X	X			
NS	4203-202	Wiring Diagram							X				X				X	X					X	
NS	4203-203	Wiring Diagram																						X

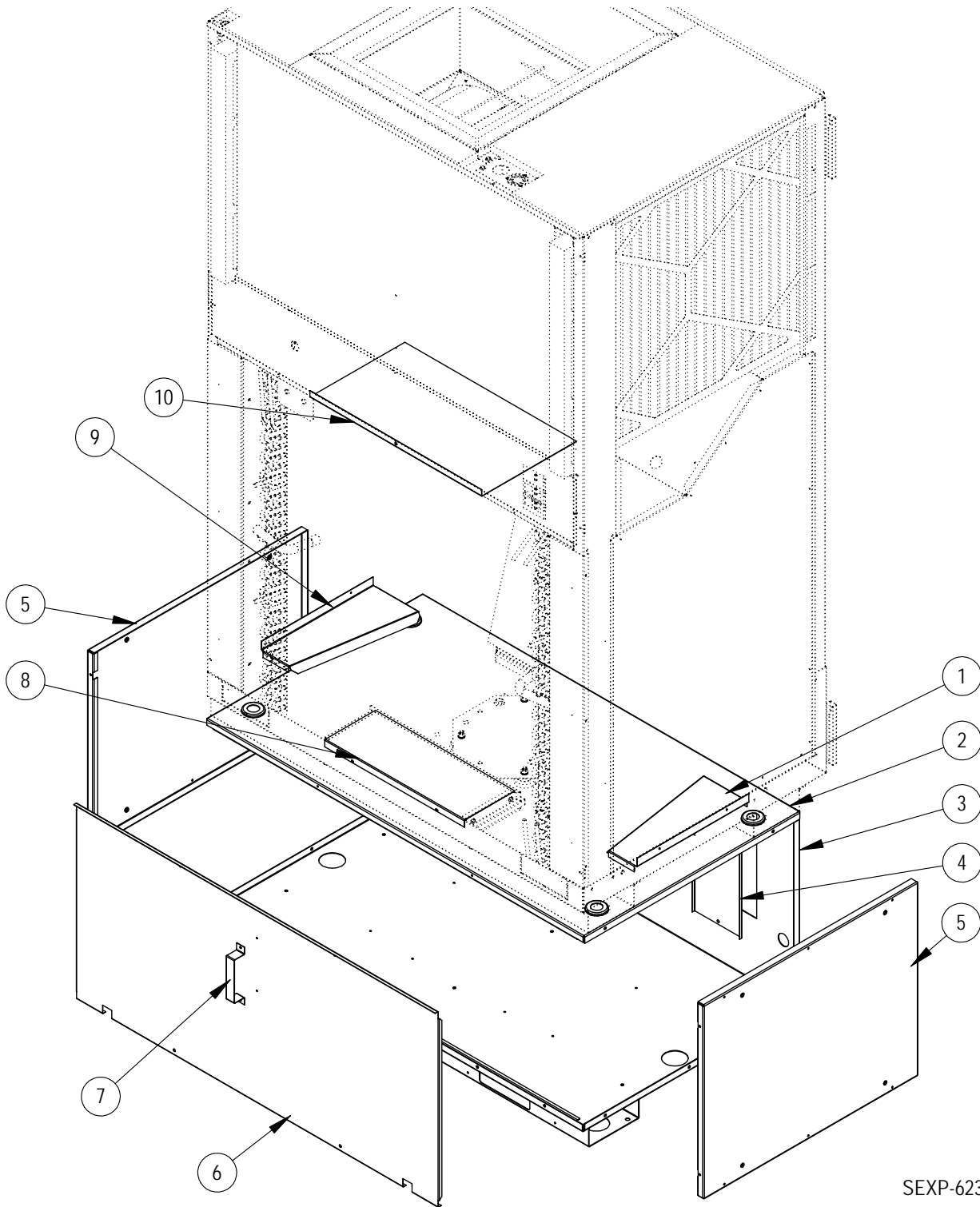
NS = Not Shown

ELECTRIC HEATER COMPONENTS

Drawing No.	Part Number	Description	130H1-C0Z, 130H1DC0Z	130H1-C06, 130H1DC06	130H1-C09, 130H1DC09	136H1-C0Z, 136H1DC0Z	136H1-C06, 136H1DC06	136H1-C09, 136H1DC09	136H1-C15, 136H1DC15	142H1-C0Z, 142H1DC0Z	142H1-C06, 142H1DC06	142H1-C09, 142H1DC09	142H1-C15, 142H1DC15	148H1-C0Z, 148H1DC0Z	148H1-C06, 148H1DC06	148H1-C09, 148H1DC09	148H1-C15, 148H1DC15	148H1-C18, 148H1DC18	160H1-C0Z, 160H1DC0Z	160H1-C06, 160H1DC06	160H1-C09, 160H1DC09	160H1-C15, 160H1DC15	160H1-C18, 160H1DC18	
1	143-148	Heater Box Cover	X	X	X	X	X	X	X	X	X	X	X	X	X	X	X	X	X	X	X	X	X	X
2	117-313	Heater Front Plate	X	X	X	X	X	X	X	X	X	X	X	X	X	X	X	X	X	X	X	X	X	X
3	103-486	Side Blower Offset	2	2	2	2	2	2	2	2	2	2	2	2	2	2	2	2	2	2	2	2	2	2
4	117-307	Heater Wrapper	X	X	X	X	X	X	X	X	X	X	X	X	X	X	X	X	X	X	X	X	X	X
5	103-487	Rear Blower Angle	X	X	X	X	X	X	X	X	X	X	X	X	X	X	X	X	X	X	X	X	X	X
6	8607-014	Terminal Block							X				X				X					X		
7	8401-036	Contact 2-Pole 30A		2	2		2	2	6		2	2	6		2	2	6	4		2	2	6	4	
8	142-159	Heater Blank Off Plate	X	X	X	X	X	X		X	X	X		X	X	X			X	X	X			
	8604-139	Heat Strip 6KW							X				X				X						X	
	8604-140	Heat Strip 9KW																X						X
9	8201-130	Relay		X	X		X	X	X		X	X	X		X	X	X	X		X	X	X	X	X
10	142-159	Heater Blank Off Plate	X			X				X				X					X					
	8604-139	Heat Strip 6KW		X			X				X				X					X				
	8604-140	Heat Strip 9KW			X			X	X			X	X			X	X	X			X	X	X	X
11	3000-1402	6-Pin Electric Heater Wire Harness		X	X		X	X	X		X	X	X		X	X	X	X		X	X	X	X	X
12	127-418	Circuit Breaker Base	X	X	X	X	X	X	X	X	X	X	X	X	X	X	X	X	X	X	X	X	X	X
15	8615-067	Toggle Disconnect 40A 460V	X	X	X	X	X	X	X	X	X	X	X	X	X	X	X	X	X	X	X	X	X	X
NS	4203-300	Wiring Diagram	X			X				X				X					X					
NS	4203-301	Wiring Diagram		X	X		X	X			X	X			X	X				X	X			
NS	4203-302	Wiring Diagram							X				X				X	X					X	X

NS = Not Shown

VENT BOX (ONLY) COMPONENTS

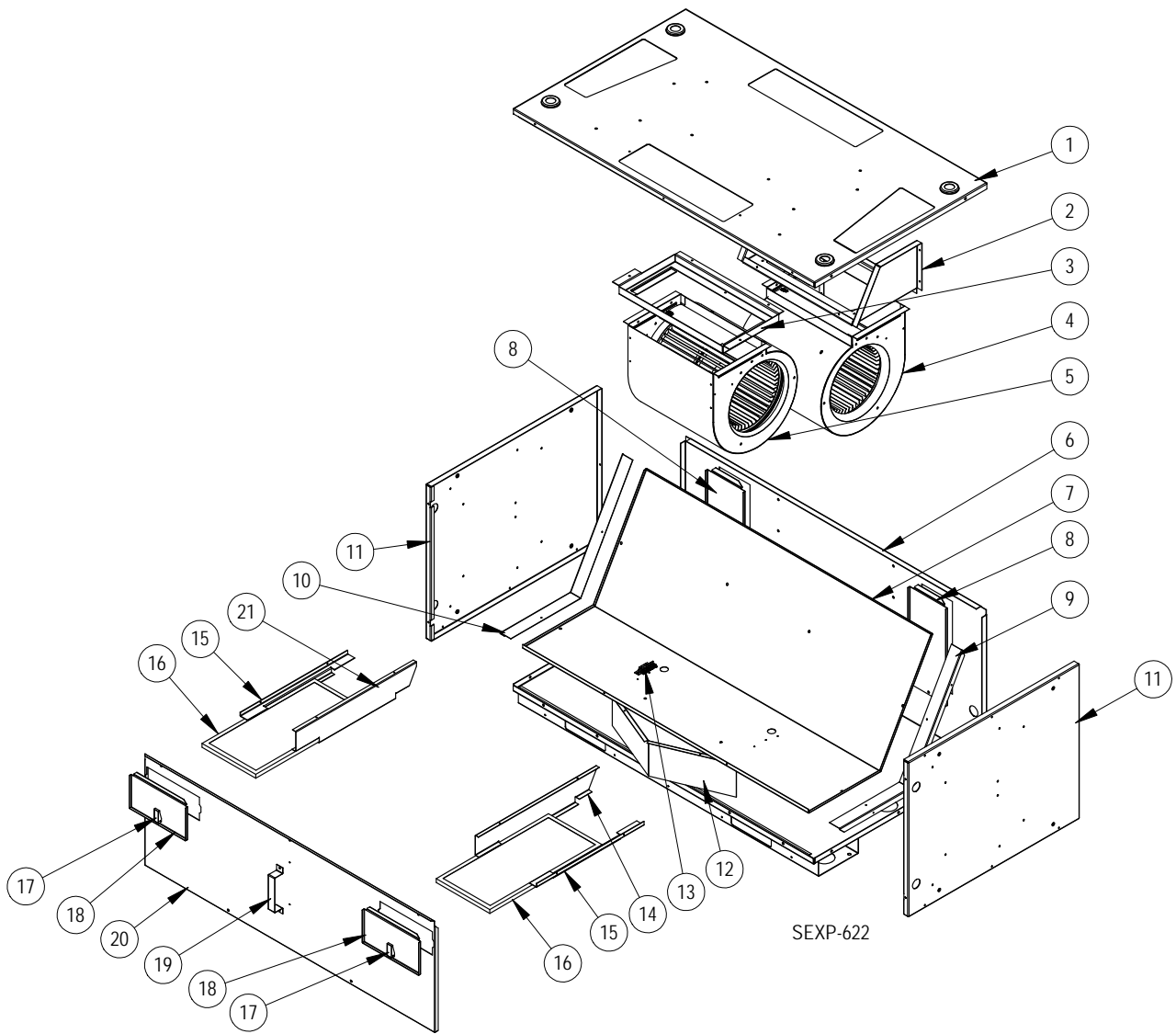


SEXP-623

VENT BOX (ONLY) COMPONENTS

Drawing No.	Part Number	Description	Vent Box Only
1	S143X164	Right Side Intake Fill	X
2	507-298	Vent Box Top	X
3	S527-419	Vent Box Base	X
4	543-158	Drain Access Plate	2
5	S501-639	Vent Box Side	2
6	553-508	Vent Box Door	X
7	113-441	Door Latch Bracket	X
8	S143-160	Lower Intake Fill	X
9	S143Y164	Left Side Intake Fill	X
10	S143-161	Upper Intake Fill	X

CRV COMPONENTS

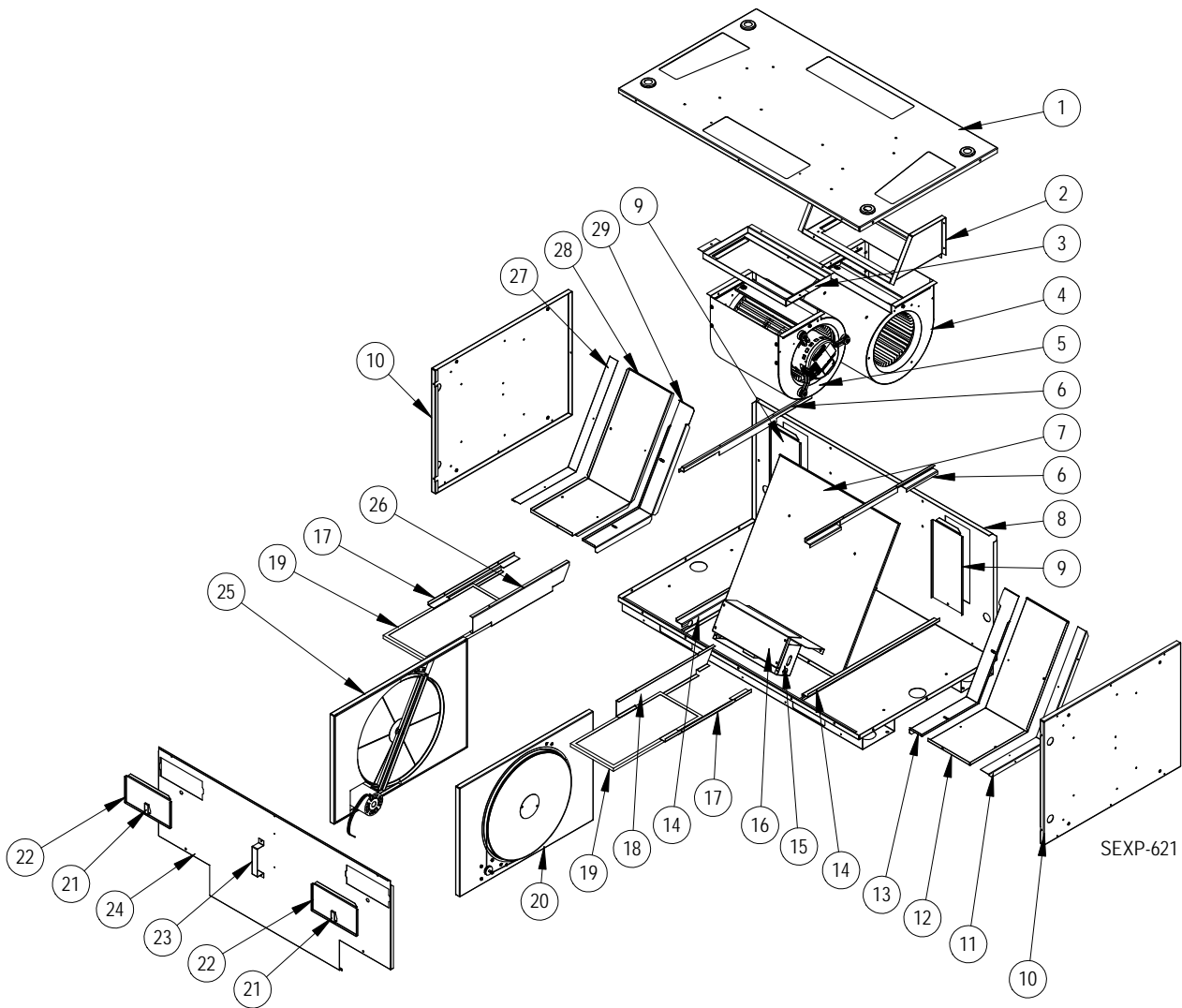


CRV COMPONENTS

Drawing No.	Part Number	Description	CRV
1	S507-297	Vent Box Top	X
2	103-489	Rear Blower Offset	X
3	103-488	Front Blower Offset	X
4	900-318-001	Exhaust Blower Assembly	X
5	900-318-002	Intake Blower Assembly	X
6	S527-419	Vent Box Base	X
7	521-459	Partition	X
8	543-158	Drain Access Plate	2
9	505X1260	Right Partition Angle	X
10	505Y1260	Left Partition Angle	X
11	S501-638	Vent Box Side	2
12	569-179	Baffle	X
13	S910-1809	Terminal Block Assembly	X
14	141X382	Right Lower Filter Bracket	X
15	141-381	Filter Angle	2
16	7003-064	Vent Intake Filter	2
17	1171-053	Swell Latch	2
18	S153-506	Filter Door	2
19	113-441	Door Latch Bracket	X
20	S553-507	Blower Door	X
21	141Y382	Left Lower Filter Bracket	X
NS	3000-1403	Intake/Exhaust Power Plug	2
NS	3000-1404	Intake/Exhaust Speed Plug	2
NS	3000-1406	Vent Section Plug	X
NS	3000-1411	Unit Control Panel Plug	X
NS	8201-062	Relay (in unit Control Panel)	X
NS	4204-103	Wiring Diagram	X

NS = Not Shown

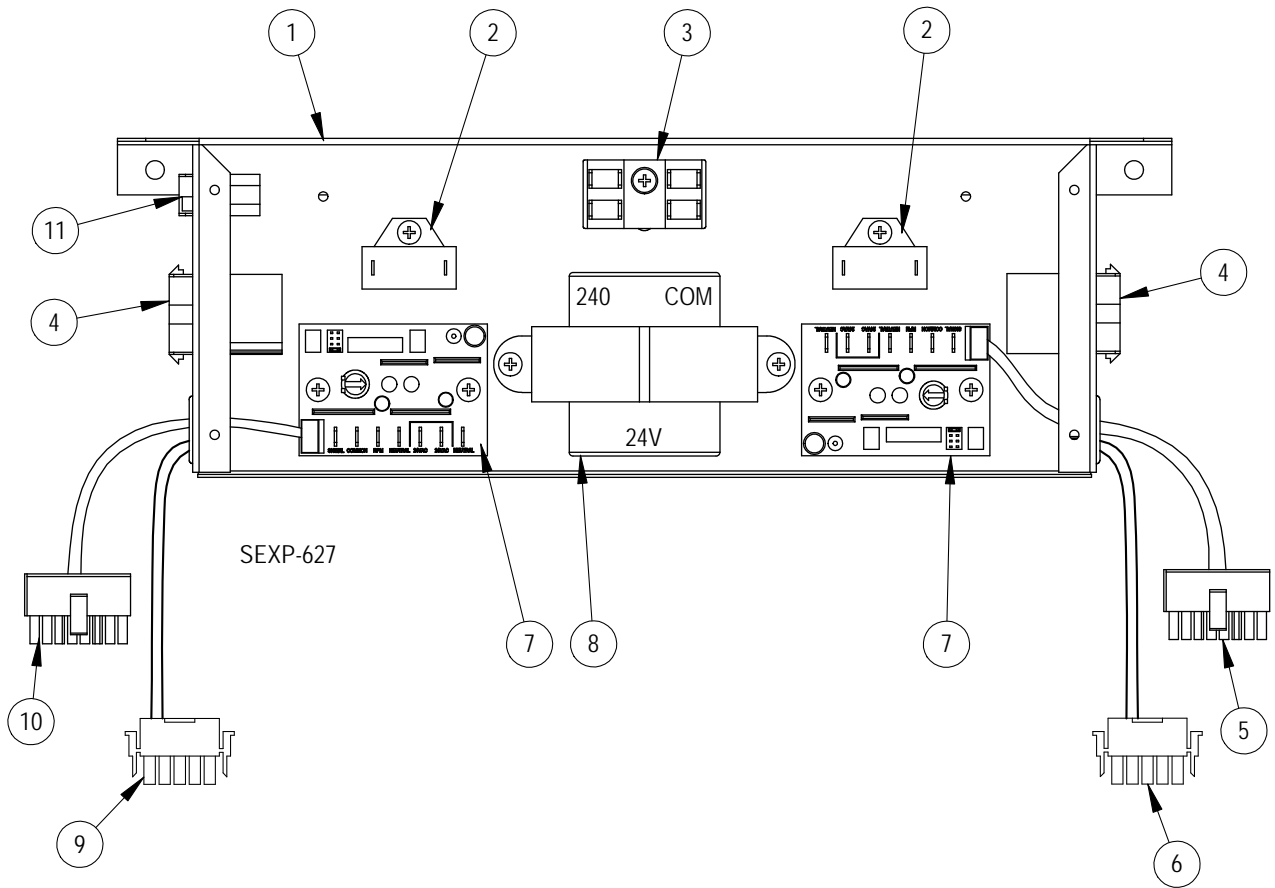
ERV COMPONENTS



ERV COMPONENTS

Drawing No.	Part Number	Description	ERV
1	S507-297	Vent Box Top	X
2	103-489	Rear Blower Offset	X
3	103-488	Front Blower Offset	X
4	900-319-001	Exhaust Blower Assembly	X
5	900-319-002	Intake Blower Assembly	X
6	141-379	Cassette Upper Rail	2
7	521-457	Partition	X
8	S527-419	Vent Box Base	X
9	543-158	Drain Access Plate	2
10	S501-638	Vent Box Side	2
11	505X1260	Right Partition Angle	X
12	521-464	Right Side Partition	X
13	S105X1258	Right Cassette Seal Angle	X
14	141-380	Cassette Lower Rail	2
15	Control Panel	See Control Panel section	x
16	153-511	Control Panel Cover	X
17	141-381	Filter Angle	2
18	141X382	Right Lower Filter Bracket	X
19	7003-064	Vent Intake Filter	2
20	5070-055	Right Cassette Assembly - Complete See cassette section for individual parts	X
21	1171-053	Swell Latch	2
22	S153-506	Filter Door	2
23	113-441	Door Latch Bracket	X
24	S553-505	Cassette Door	X
25	5070-056	Left Cassette Assembly - Complete See cassette section for individual parts	X
26	141Y382	Left Lower Filter Bracket	X
27	105Y1260	Left Partition Angle	X
28	521-465	Left Side Partition	X
29	S105Y1258	Left Cassette Seal Angle	X

ERV CONTROL PANEL COMPONENTS

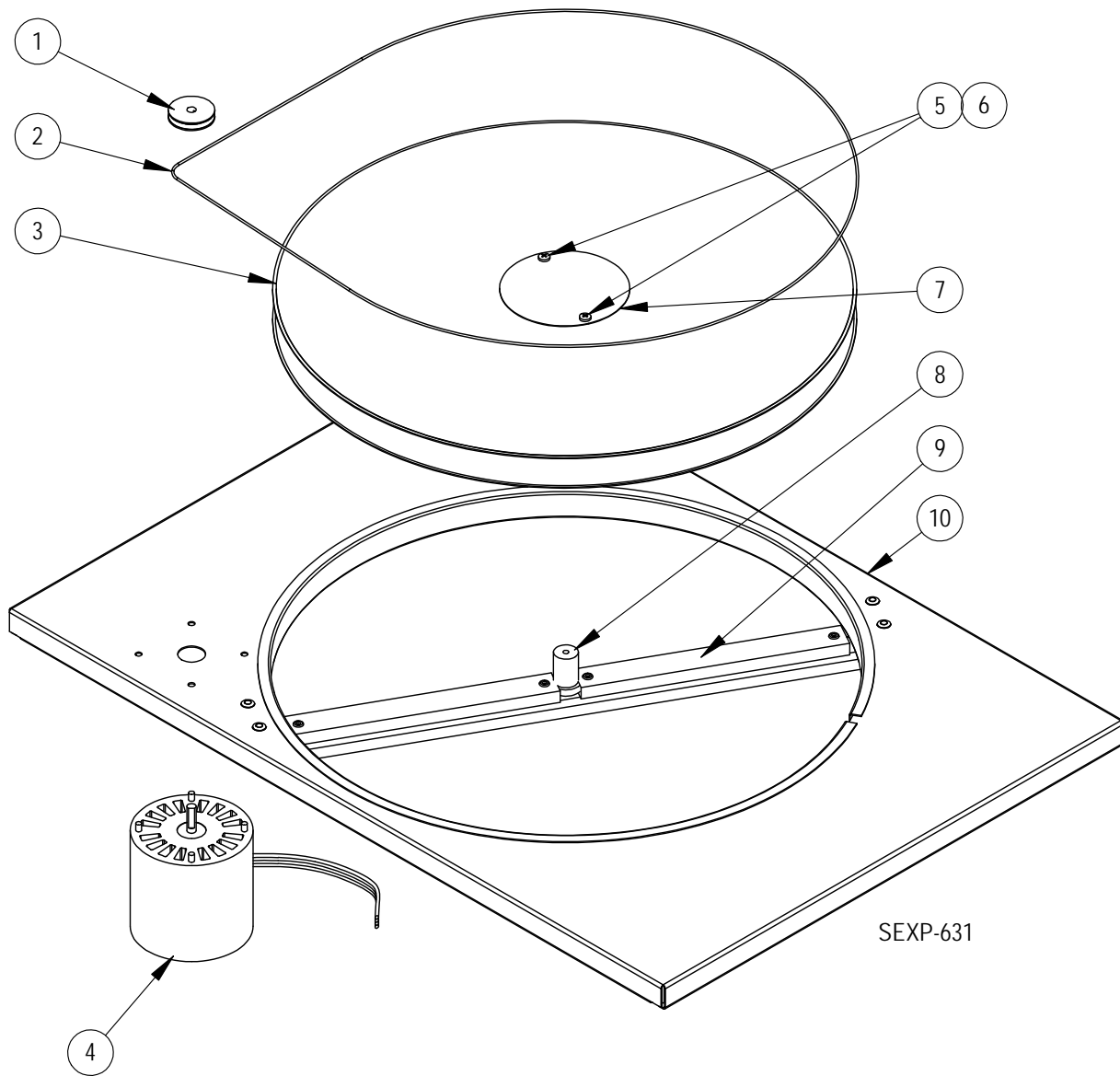


ERV CONTROL PANEL COMPONENTS

Drawing No.	Part Number	Description	ERV Control Panel
1	117-323	Control Panel	X
2	8552-070	3MFD 250V Capacitor	2
3	8607-017	Terminal Block	X
4	3000-1410	Cassette Motor Plug	2
5	3000-1407	Exhaust Speed Plug	X
6	3000-1331	Intake Plover Plug	X
7	8201-124	Blower Control Board	2
8	8407-043	60VA Transformer	X
9	3000-1356	Intake Speed Plug	X
10	3000-1358	Exhaust Power Plug	X
11	3000-1409	Vent Section Plug	X
NS	3000-1408	Extension Plug	X
NS	3000-1405	Unit Control Panel Plug	X
NS	8201-013	Relay (in unit Control Panel)	X
NS	4204-104	Wiring Diagram	X

NS = Not Shown

ERV CASSETTE COMPONENTS

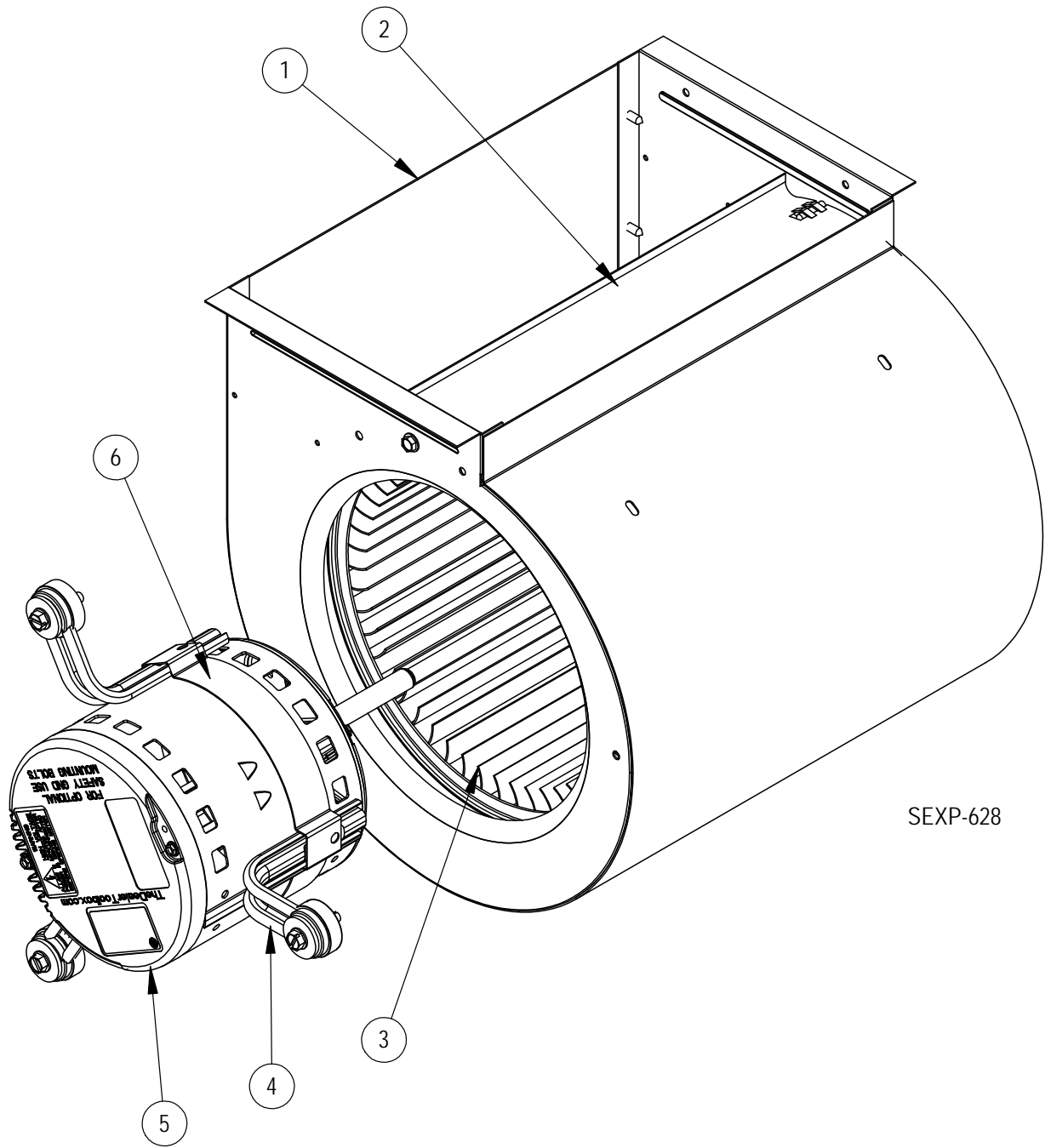


ERV CASSETTE COMPONENTS

Drawing No.	Part Number	Description	5070-055 Right Cassette	5070-056 Left Cassette
1	5501-018	Pulley	X	X
2	5070-054	Drive Belt	X	X
3	5070-043	Cassette Wheel	X	X
4	8101-016	Motor	X	X
5	1012-164	Machine Screw	2	2
6	8611-111	Nylon Spacer	2	2
7	142-104	Hub Cover	X	X
8	1912-012	Wheel Shaft	X	X
9	105-1259	Cassette Wheel Angle	X	X
10	539X275	Right Hand Cassette Plate	X	
10	539Y275	Left Hand Cassette Plate		X
NS	8620-204	ERV Bearing, Shaft & Hardware Kit	X	X
NS	8620-205	ERV Shaft & Hardware Kit	X	X

NS = Not Shown

CRV / ERV BLOWER COMPONENTS

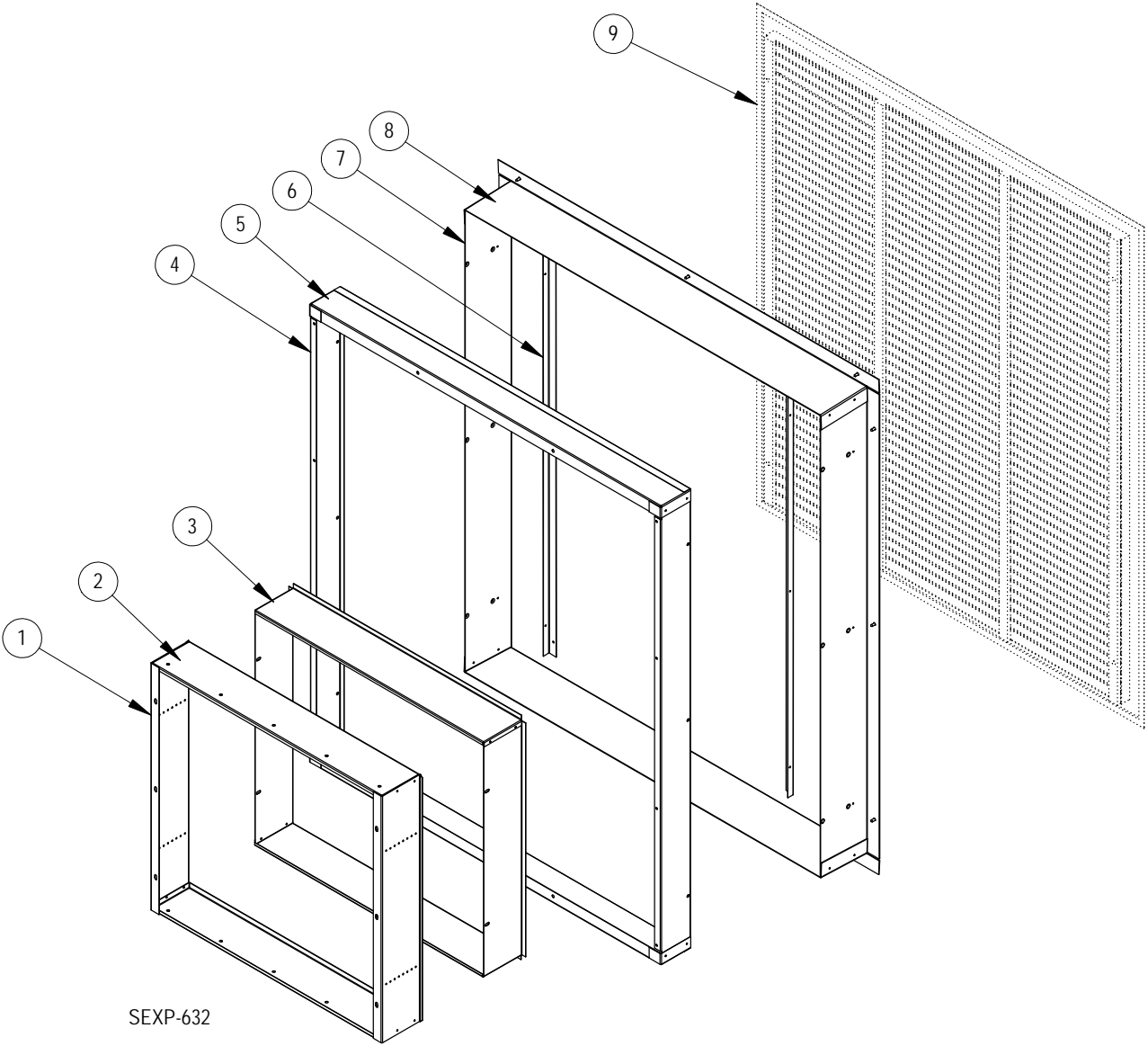


SEXP-628

CRV / ERV BLOWER COMPONENTS

Drawing No.	Part Number	Description	900-318-001	900-318-002	900-319-001	900-319-002
1	151-124	Blower Housing	X	X	X	X
2	144-129	Diffuser	X	X	X	X
3	5152-067	Blower Wheel	X	X	X	X
4	8200-046	Motor Mount Arm	3	3	3	3
5	S8105-056-0104	1/3 HP Programmed Motor – CRV Exhaust	X			
	S8105-056-0105	1/3 HP Programmed Motor – CRV Intake		X		
	S8105-059-0106	1/3 HP Programmed Motor – ERV Exhaust			X	
	S8105-059-0107	1/3 HP Programmed Motor – ERV Intake				X
6	8200-033	Motor Mount Band	X	X	X	X

SLEEVE COMPONENTS

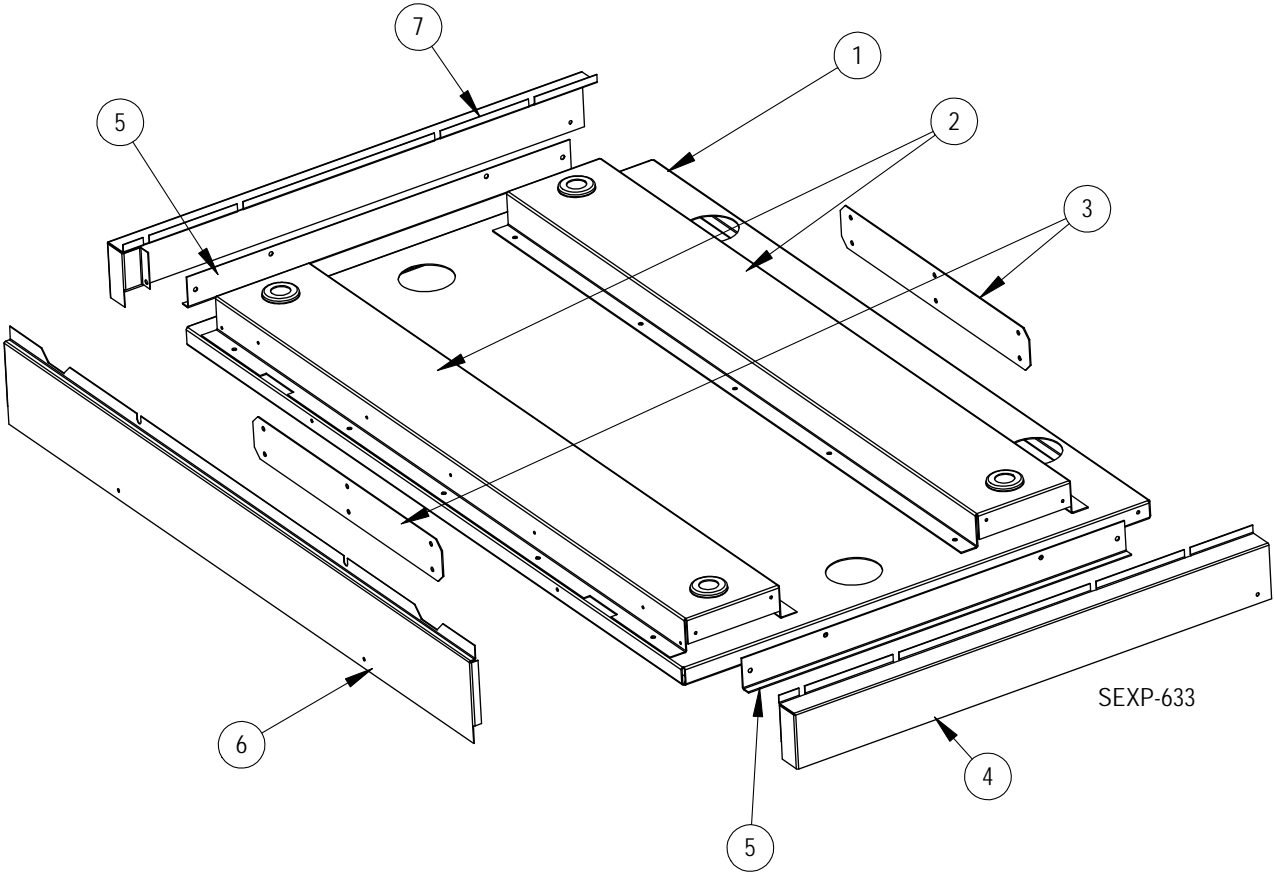


SEXP-632

SLEEVE COMPONENTS

Drawing No.	Part Number	Description	IWS-A	IWS-B	IWS-C
1	S111-188-8 4½" Deep	Outer Sleeve Side	X		
	S111-195-8 7" Deep			X	
	S111-202-8 12" Deep				X
2	S111-187-8 4½" Deep	Outer Sleeve End	X		
	S111-194-8 7" Deep			X	
	S111-201-8 12" Deep				X
3	111-189-8 4½" Deep	Inner Fan Sleeve Side	2		
	111-196-8 7" Deep			2	
	111-203-8 12" Deep				2
4	111-186-8 3½" Deep	Inner Sleeve Side	X		
	111-193-8 6" Deep			X	
	111-200-8 11" Deep				X
5	111-185-8 3½" Deep	Inner Sleeve End	X		
	111-192-8 6" Deep			X	
	111-199-8 11" Deep				X
6	105-1257-8	Grille Support Angle	2	2	2
7	111-184-8 5½" Deep	Outer Sleeve Side	X		
	111-191-8 8" Deep			X	
	111-198-8 13" Deep				X
8	111-183-8 5½" Deep	Outer Sleeve End	X		
	111-190-8 8" Deep			X	
	111-197-8 13" Deep				X
9	ILG-10	Outdoor Louver Grille - Clear anodized	X	X	X
	ILG-20	Outdoor Louver Grille - Medium Bronze	X	X	X
	ILG-30	Outdoor Louver Grille - Dark Bronze	X	X	X

RISER PLATFORM COMPONENTS



RISER PLATFORM COMPONENTS

Drawing No.	Part Number	Description	IRP-3-*	IRP-6-*
1	127-420-X	Base Plate	X	X
2	141-384 3"	Base Rail	2	
	141-385 6"			2
3	112-447	Base Connection Plate	2	2
4	135-311-* 3"	Right Side Trim	X	
	135-314-* 6"			X
5	105-1263 3"	Side Support Angle	2	
	105-1264 6"			2
6	135-309-* 3"	Front Trim	X	
	135-312-* 6"			X
7	135-310-* 3"	Left Side Trim	X	
	135-313-* 6"			X

* Exterior cabinet parts are manufactured with various paint color options. To ensure that you receive the proper paint color, please reference the following codes:

Beige -X
 White -1
 Buckeye Gray -4