

REPLACEMENT PARTS MANUAL

I-TEC SERIES PACKAGED HEAT PUMP

Models:

I30H1-A I30H1DA I36H1-A I36H1DA I42H1-A I42H1DA I48H1-A I48H1DA I60H1-A I60H1DA
 I30H1-B I30H1DB I36H1-B I36H1DB I42H1-B I42H1DB I48H1-B I48H1DB I60H1-B I60H1DB
 I30H1-C I30H1DC I36H1-C I36H1DC I24H1-C I42H1DC I48H1-C I48H1DC I60H1-C I60H1DC

Description	Page	Description	Page
Wiring Diagram Charts		Modulating CRV Control Panel Components	
♦ Matrix.....	2 - 3	♦ Exploded View.....	28
Cabinet Components		♦ Usage List.....	29
♦ Exploded View.....	4	ERV Components	
♦ Usage List.....	5	♦ Exploded View.....	30
Painted Cabinet Components		♦ Usage List.....	31
♦ Exploded View.....	6	ERV Control Panel Components	
♦ Usage List.....	7	♦ Exploded View.....	32
Functional Components		♦ Usage List.....	33
♦ Exploded View.....	8	ERV Cassette Components	
♦ Usage List.....	9	♦ Exploded View.....	34
♦ Usage List.....	10	♦ Usage List.....	35
Blower Assembly		CRV/ERV Blower Components	
♦ Exploded View.....	11	♦ Exploded View.....	36
♦ Usage List.....	11	♦ Usage List.....	37
Control Panel Components - 1 Phase		Sleeve Components	
♦ Exploded View.....	12	♦ Exploded View.....	38
♦ Usage List.....	13	♦ Usage List.....	39
Control Panel Components - 3 Phase		Riser Platform Components	
♦ Exploded View.....	14	♦ Exploded View.....	40
♦ Usage List.....	15	♦ Usage List.....	41
Control Panel Components - 460V 3 Phase			
♦ Exploded View.....	16		
♦ Usage List.....	17		
Electric Heater Components			
♦ Exploded View.....	18		
♦ Usage Lists.....	19 - 21		
Vent Box (Only) Components			
♦ Exploded View.....	22		
♦ Usage List.....	23		
CRV Components			
♦ Exploded View.....	24		
♦ Usage List.....	25		
Modulating CRV Components			
♦ Exploded View.....	26		
♦ Usage List.....	27		

General Notes

- Revised and/or additional pages may be issued from time to time.
- A complete and current manual consists of pages shown in the following contents section.

Important

- Contact the installing and/or local Bard distributor for all parts requirements. Be sure to have the complete model and serial number available from the unit rating plates.



Bard Manufacturing Company, Inc.
 Bryan, Ohio 43506
 www.bardhvac.com

Manual: 2110-585U
 Supersedes: 2110-585T
 Date: 5-28-15
REVISED: 1-23-23

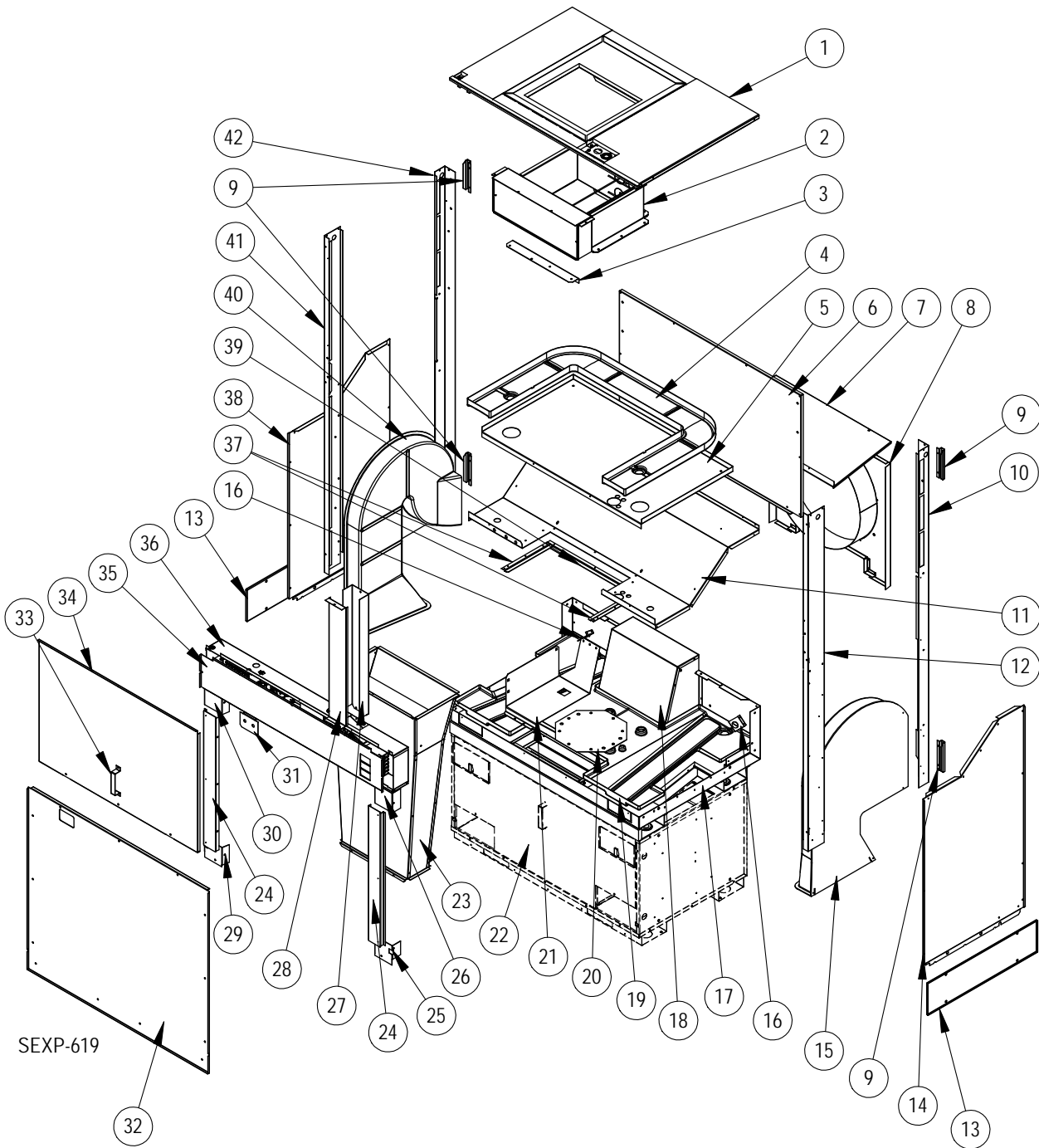
I**H1 SERIES WIRING DIAGRAM MATRIX

Model	Wiring Diagram	Ventilation Package	Wiring Diagram	Heater	Wiring Diagram
I30H1-A	4202-101G	Commercial Room Ventilator	4204-103A	0KW	4203-100B
		Energy Recovery Ventilator	4204-104B	5KW	4203-101B
		Economizer	4204-105	10KW	4203-103B
		Modulating Commercial Room Ventilator	4204-106		
I30H1-B	4202-201G	Commercial Room Ventilator	4204-103A	0KW	4203-200B
		Energy Recovery Ventilator	4204-104B	6KW	4203-201C
		Economizer	4204-105	9KW	4203-201C
		Modulating Commercial Room Ventilator	4204-106		
I30H1-C	4202-301G	Commercial Room Ventilator	4204-103A	0KW	4203-300C
		Energy Recovery Ventilator	4204-104B	6KW	4203-301D
		Economizer	4204-105	9KW	4203-301D
		Modulating Commercial Room Ventilator	4204-106		
I36H1-A	4202-101G	Commercial Room Ventilator	4204-103A	0KW	4203-100B
		Energy Recovery Ventilator	4204-104B	5KW	4203-101B
		Economizer	4204-105	10KW	4203-103B
		Modulating Commercial Room Ventilator	4204-106	15KW	4203-104B
I36H1-B	4202-201G	Commercial Room Ventilator	4204-103A	0KW	4203-200B
		Energy Recovery Ventilator	4204-104B	6KW	4203-201C
		Economizer	4204-105	9KW	4203-201C
		Modulating Commercial Room Ventilator	4204-106	15KW	4203-202B
I36H1-C	4202-301G	Commercial Room Ventilator	4204-103A	0KW	4203-300C
		Energy Recovery Ventilator	4204-104B	6KW	4203-301D
		Economizer	4204-105	9KW	4203-301D
		Modulating Commercial Room Ventilator	4204-106	15KW	4203-302D
I42H1-A	4202-101G	Commercial Room Ventilator	4204-103A	0KW	4203-100B
		Energy Recovery Ventilator	4204-104B	5KW	4203-101B
		Economizer	4204-105	10KW	4203-103B
		Modulating Commercial Room Ventilator	4204-106	15KW	4203-104B
I42H1-B	4202-201G	Commercial Room Ventilator	4204-103A	0KW	4203-200B
		Energy Recovery Ventilator	4204-104B	6KW	4203-201C
		Economizer	4204-105	9KW	4203-201C
		Modulating Commercial Room Ventilator	4204-106	15KW	4203-202B
I42H1-C	4202-301G	Commercial Room Ventilator	4204-103A	0KW	4203-300A
		Energy Recovery Ventilator	4204-104B	6KW	4203-301D
		Economizer	4204-105	9KW	4203-301D
		Modulating Commercial Room Ventilator	4204-106	15KW	4203-302D
I48H1-A	4202-101G	Commercial Room Ventilator	4204-103A	0KW	4203-100B
		Energy Recovery Ventilator	4204-104B	4KW	4203-101B
		Economizer	4204-105	5KW	4203-102B
		Modulating Commercial Room Ventilator	4204-106	10KW	4203-103B
				15KW	4203-104B
				20KW	4203-105B
I48H1-B	4202-201G	Commercial Room Ventilator	4204-103A	0KW	4203-200B
		Energy Recovery Ventilator	4204-104B	6KW	4203-201C
		Economizer	4204-105	9KW	4203-201C
		Modulating Commercial Room Ventilator	4204-106	15KW	4203-202B
				18KW	4203-202B
I48H1-C	4202-301G	Commercial Room Ventilator	4204-103A	0KW	4203-300C
		Energy Recovery Ventilator	4204-104B	6KW	4203-301D
		Economizer	4204-105	9KW	4203-301D
		Modulating Commercial Room Ventilator	4204-106	15KW	4203-302D
				18KW	4203-302D
I60H1-A	4202-101G	Commercial Room Ventilator	4204-103A	0KW	4203-100B
		Energy Recovery Ventilator	4204-104B	4KW	4203-101B
		Economizer	4204-105	5KW	4203-102B
		Modulating Commercial Room Ventilator	4204-106	10KW	4203-103B
				15KW	4203-104B
				20KW	4203-105B
I60H1-B	4202-201G	Commercial Room Ventilator	4204-103A	0KW	4203-200B
		Energy Recovery Ventilator	4204-104B	6KW	4203-201C
		Economizer	4204-105	9KW	4203-201C
		Modulating Commercial Room Ventilator	4204-106	15KW	4203-202B
				18KW	4203-203B
I60H1-C	4202-301G	Commercial Room Ventilator	4204-103A	0KW	4203-300C
		Energy Recovery Ventilator	4204-104B	6KW	4203-301D
		Economizer	4204-105	9KW	4203-301D
		Modulating Commercial Room Ventilator	4204-106	15KW	4203-302D
		18KW	4203-302D		

I*H1 SERIES WIRING DIAGRAM MATRIX

Model	Wiring Diagram	Ventilation Package	Wiring Diagram	Heater	Wiring Diagram
I30H1DA	4202-102G	Commercial Room Ventilator	4204-103A	0KW	4203-100B
		Energy Recovery Ventilator	4204-104B	5KW	4203-101B
		Economizer	4204-105	10KW	4203-103B
		Modulating Commercial Room Ventilator	4204-106		
I30H1DB	4202-202G	Commercial Room Ventilator	4204-103A	0KW	4203-200B
		Energy Recovery Ventilator	4204-104B	6KW	4203-201C
		Economizer	4204-105	9KW	4203-201C
		Modulating Commercial Room Ventilator	4204-106		
I30H1DC	4202-302G	Commercial Room Ventilator	4204-103A	0KW	4203-300C
		Energy Recovery Ventilator	4204-104B	6KW	4203-301D
		Economizer	4204-105	9KW	4203-301D
		Modulating Commercial Room Ventilator	4204-106		
I36H1DA	4202-102G	Commercial Room Ventilator	4204-103A	0KW	4203-100B
		Energy Recovery Ventilator	4204-104B	5KW	4203-101B
		Economizer	4204-105	10KW	4203-103B
		Modulating Commercial Room Ventilator	4204-106	15KW	4203-104B
I36H1DB	4202-202G	Commercial Room Ventilator	4204-103A	0KW	4203-200B
		Energy Recovery Ventilator	4204-104B	6KW	4203-201C
		Economizer	4204-105	9KW	4203-201C
		Modulating Commercial Room Ventilator	4204-106	15KW	4203-202B
I36H1DC	4202-302G	Commercial Room Ventilator	4204-103A	0KW	4203-300C
		Energy Recovery Ventilator	4204-104B	6KW	4203-301D
		Economizer	4204-105	9KW	4203-301D
		Modulating Commercial Room Ventilator	4204-106	15KW	4203-302D
I42H1DA	4202-102G	Commercial Room Ventilator	4204-103A	0KW	4203-100B
		Energy Recovery Ventilator	4204-104B	5KW	4203-101B
		Economizer	4204-105	10KW	4203-103B
		Modulating Commercial Room Ventilator	4204-106	15KW	4203-104B
I42H1DB	4202-202G	Commercial Room Ventilator	4204-103A	0KW	4203-200B
		Energy Recovery Ventilator	4204-104B	6KW	4203-201C
		Economizer	4204-105	9KW	4203-201C
		Modulating Commercial Room Ventilator	4204-106	15KW	4203-202B
I42H1DC	4202-302G	Commercial Room Ventilator	4204-103A	0KW	4203-300C
		Energy Recovery Ventilator	4204-104B	6KW	4203-301D
		Economizer	4204-105	9KW	4203-301D
		Modulating Commercial Room Ventilator	4204-106	15KW	4203-302D
I48H1DA	4202-102G	Commercial Room Ventilator	4204-103A	0KW	4203-100B
		Energy Recovery Ventilator	4204-104B	4KW	4203-101B
		Economizer	4204-105	5KW	4203-102B
		Modulating Commercial Room Ventilator	4204-106	10KW	4203-103B
				15KW	4203-104B
				20KW	4203-105B
I48H1DB	4202-202G	Commercial Room Ventilator	4204-103A	0KW	4203-200B
		Energy Recovery Ventilator	4204-104B	6KW	4203-201C
		Economizer	4204-105	9KW	4203-201C
		Modulating Commercial Room Ventilator	4204-106	15KW	4203-202B
				18KW	4203-202B
I48H1DC	4202-302G	Commercial Room Ventilator	4204-103A	0KW	4203-300C
		Energy Recovery Ventilator	4204-104B	6KW	4203-301D
		Economizer	4204-105	9KW	4203-301D
		Modulating Commercial Room Ventilator	4204-106	15KW	4203-302D
				18KW	4203-302D
I60H1DA	4202-102G	Commercial Room Ventilator	4204-103A	0KW	4203-100B
		Energy Recovery Ventilator	4204-104B	4KW	4203-101B
		Economizer	4204-105	5KW	4203-102B
		Modulating Commercial Room Ventilator	4204-106	10KW	4203-103B
				15KW	4203-104B
				20KW	4203-105B
I60H1DB	4202-202G	Commercial Room Ventilator	4204-103A	0KW	4203-200B
		Energy Recovery Ventilator	4204-104B	6KW	4203-201C
		Economizer	4204-105	9KW	4203-201C
		Modulating Commercial Room Ventilator	4204-106	15KW	4203-202B
				18KW	4203-203B
I60H1DC	4202-302G	Commercial Room Ventilator	4204-103A	0KW	4203-300C
		Energy Recovery Ventilator	4204-104B	6KW	4203-301D
		Economizer	4204-105	9KW	4203-301D
		Modulating Commercial Room Ventilator	4204-106	15KW	4203-302D
				18KW	4203-302D

CABINET COMPONENTS

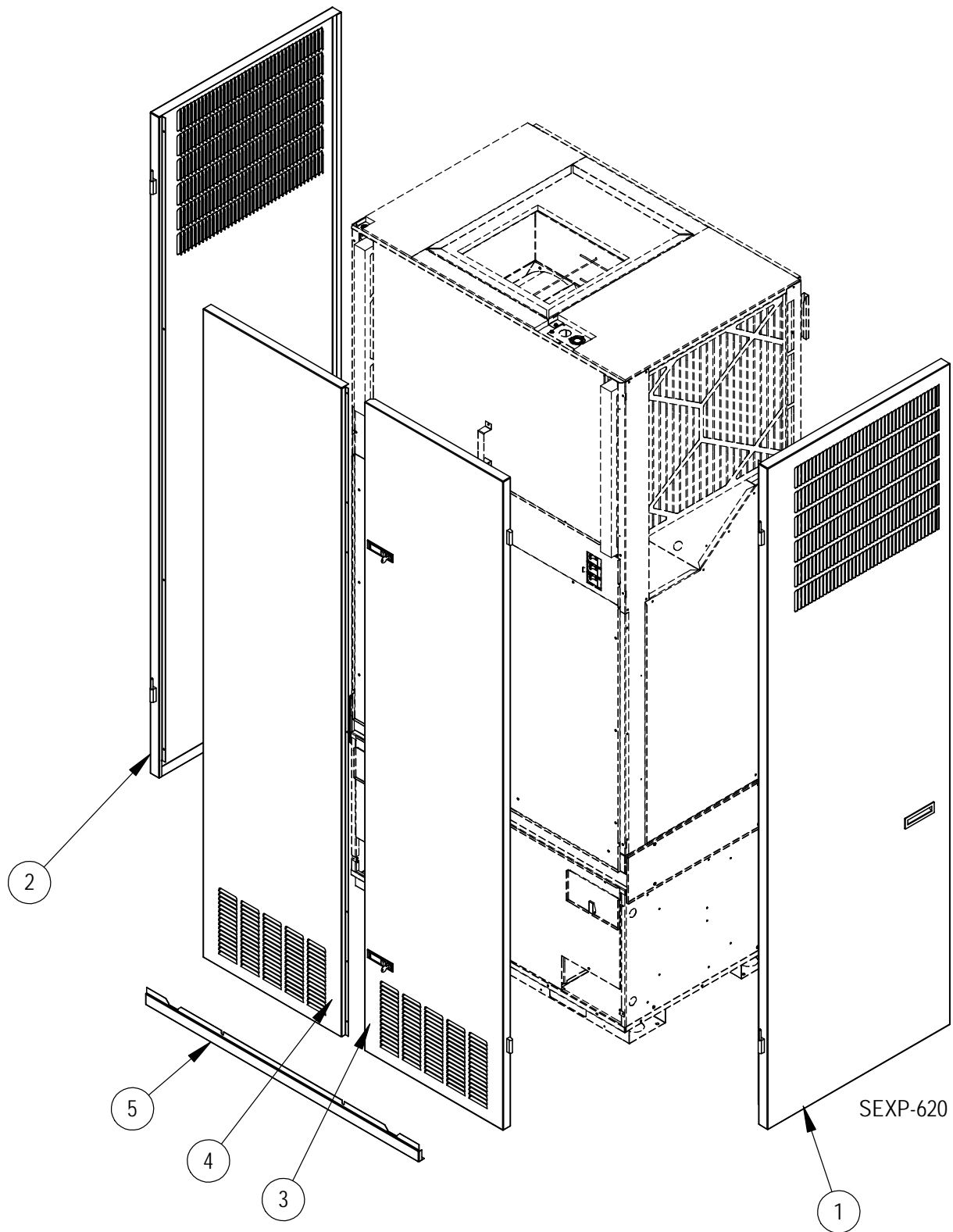


CABINET COMPONENTS

Drawing No.	Part Number	Description	All Models
1	S507-296	Top Assembly	X
2	See Heater Pkg. Section	Heater Package	X
3	105-1256	Front blower angle	X
4	6096-001	Indoor drain pan	X
5	S141-383	Evap. Coil Support	X
6	509-259-8	Unit Back Assembly	X
7	S137-641	Cond. Coil Top Fill	X
8	S125-065	Fan Shroud/Venturi Assembly	X
9	113-439	Side Bracket	4
10	S149-120	Right Rear Corner	X
11	S121-456	Condenser Partition	X
12	S149-123	Right Front Corner	X
13	S113-438	Unit Connection Bracket	2
14	S101X635	Right Inner Side Panel	X
15	S7001-024	Right Hand Inlet Duct (used on CRV & ERV units only)	X
16	113-429	Evap. Drain Tube Bracket	2
17	S127-416	Condenser Base Assembly	X
18	S921-0003	Exhaust Duct Assembly	X
19	6096-002	Outdoor Drain Pan	X
20	126-417	Compressor Mounting Base	X
21	113-595 113-449	460V trans. Mtg brkt. (136-42-48) 460V trans. Mtg brkt. (160 Only)	X X
22	See Vent Section	Vent Option	X
23	511-177	Intake Duct Assembly (used on CRV and ERV units only)	X
24	S141-391	Condenser Coil Access Door	X
25	S141X390	Lower Right Condenser Coil Support	X
26	S141X389	Upper Right Condenser Coil Support	X
27	165-599	High Voltage Wire Channel	X
28	143-157	High Voltage Wire Channel Cover	X
29	S141Y390	Lower Left Condenser Coil Support	X
30	S141Y389	Upper Left Condenser Coil Support	X
31	S113-440	Dual Service Port Bracket	X
32	S553-498	Condenser Door	X
33	113-441	Door Latch Bracket	X
34	S553-496	Evaporator Door	X
35	S153-497 S153-501	Control Panel Door (230V Units) Control Panel Door (460V Units)	X X
36	See Control Panel Section	Control Panel	X
37	103-493	Cond. Partition Side Offset	2
38	S101Y635	Left Inner Side Panel	X
39	103-494	Cond. Partition Rear Offset	X
40	S7001-025	Left Hand Inlet Duct (used on CRV & ERV units only)	X
41	S149-121	Left Front Corner	X
42	S149-122	Left Rear Corner	X
NS	S113-426	Top Mounting Bracket	X

NS = Not Shown

PAINTED CABINET COMPONENTS



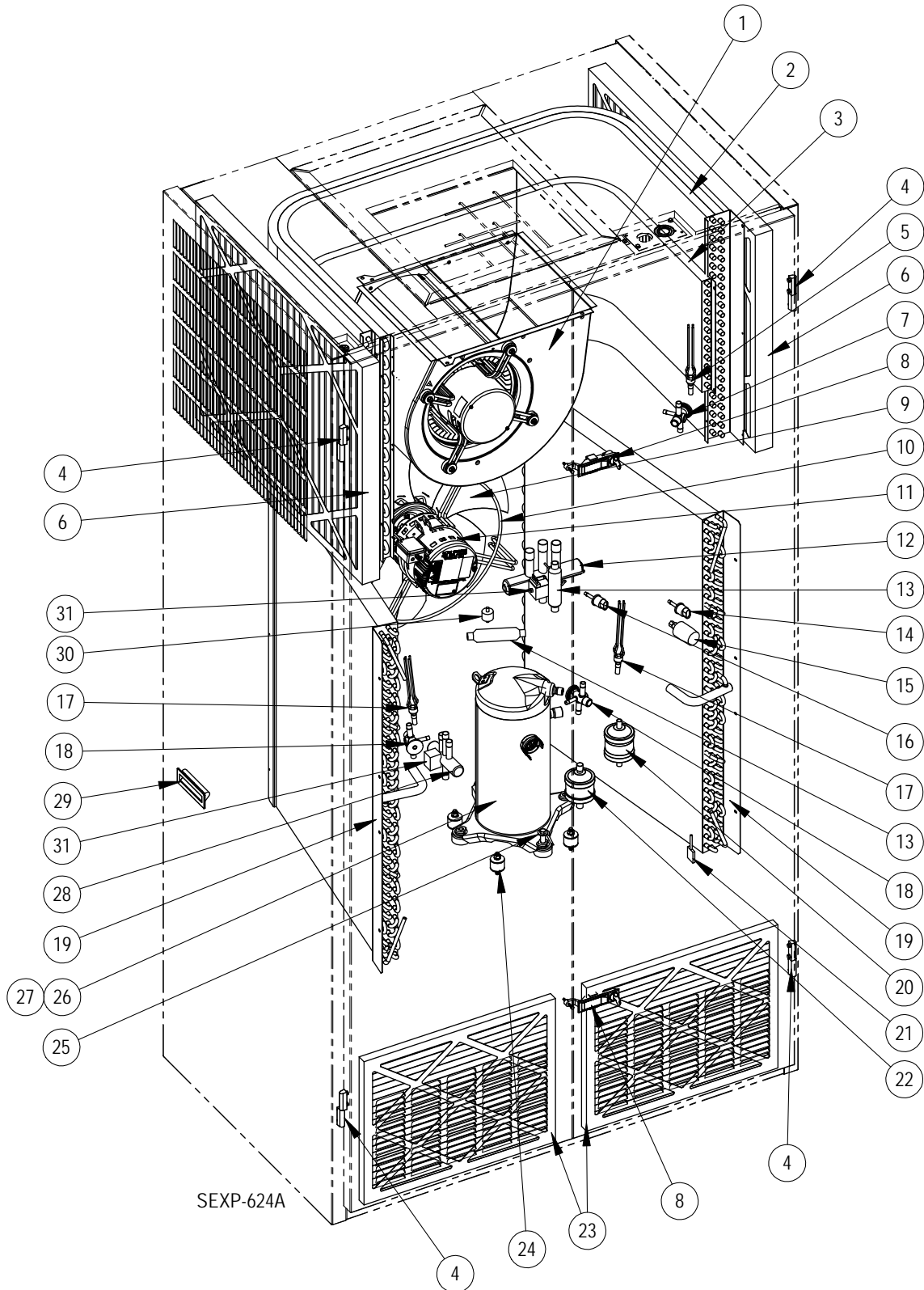
PAINTED CABINET COMPONENTS

Drawing No.	Part Number	Description	All Models
1	501-636-*	Right Side	X
2	501-637-*	Left Side	X
3	S553-500-*	Right Front Door	X
4	S553-499-*	Left Front Door	X
5	115-206-*	Front Unit Trim	X

* Exterior cabinet parts are manufactured with various paint color options. To ensure the proper paint color is received, reference the following codes:

Beige -X
White -1
Buckeye Gray -4

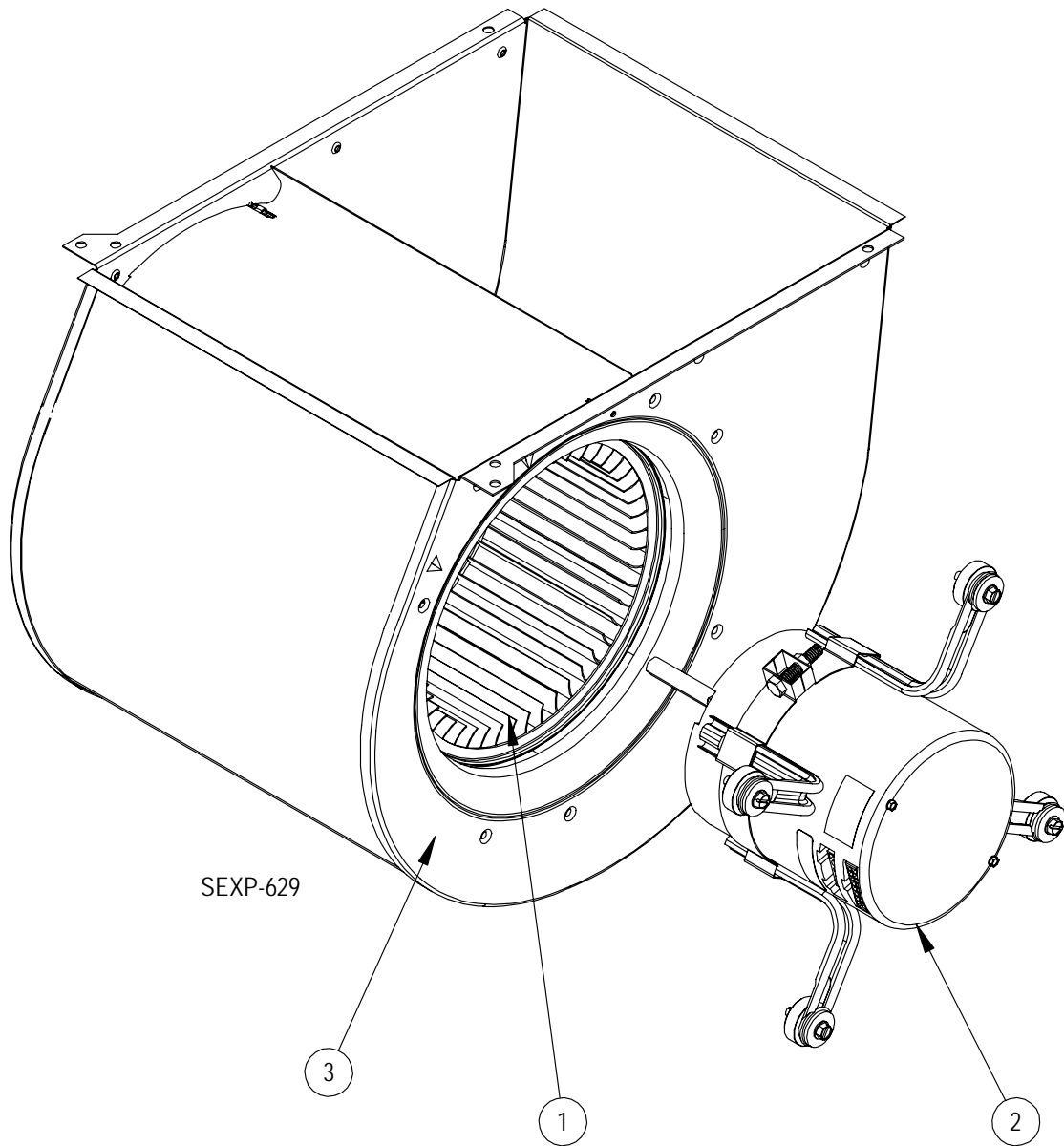
FUNCTIONAL COMPONENTS



FUNCTIONAL COMPONENTS

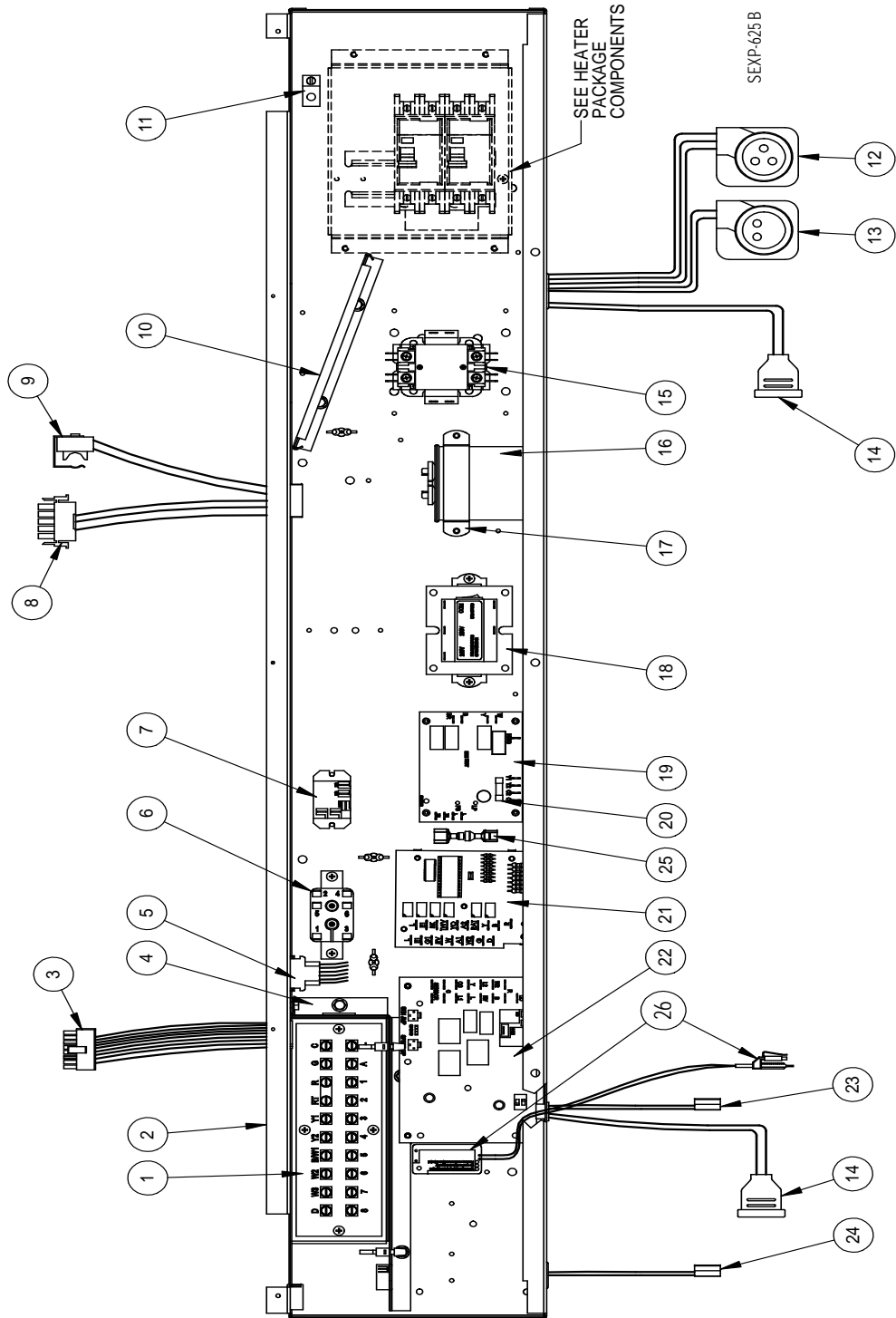
Drawing No.	Part Number	Description	130H1-A	130H1-B	130H1-C	130H1DA	130H1DB	130H1DC	136H1-A	136H1-B	136H1-C	136H1DA	136H1DB	136H1DC	142H1-A	142H1-B	142H1-C	142H1DA	142H1DB	142H1DC	148H1-A	148H1-B	148H1-C	148H1DA	148H1DB	148H1DC	160H1-A	160H1-B	160H1-C	160H1DA	160H1DB	160H1DC			
22	5220-013	Pulsation Dampener/Muffler	X	X	X	X	X	X	X	X	X	X	X	X	X	X	X	X	X	X	X	X	X	X	X	X	X	X	X	X	X	X			
23	7004-003	Filter	2	2	2	2	2	2	2	2	2	2	2	2	2	2	2	2	2	2	2	2	2	2	2	2	2	2	2	2	2	2			
24	8001-013	Compressor Grommet	4	4	4	4	4	4	4	4	4	4	4	4	4	4	4	4	4	4	4	4	4	4	4	4	4	4	4	4	4	4	4		
25	1012-328	Compressor Bolt	4	4	4	4	4	4	4	4	4	4	4	4	4	4	4	4	4	4	4	4	4	4	4	4	4	4	4	4	4	4	4		
	8000-388		X			X																													
	8000-389			X			X																												
	8000-390				X																														
	8000-379					X																													
	8000-380						X																												
	8000-381							X																											
	8000-391								X																										
26	8000-392	Compressor								X																									
	8000-393							X																											
	8000-382																X																		
	8000-383																	X																	
	8000-384																		X																
	8000-385																																		
	8000-386																																		
	8000-387																																		
27	8002-012	Compressor Sound Cover	X	X	X	X	X	X	X	X	X	X	X	X	X	X	X	X	X	X	X	X	X	X	X	X	X	X	X	X	X	X	X	X	
	8002-013																																		
28	5650-051	Dehum. Valve, 4-Pipe				X	X	X				X	X	X																					
29	1171-060	Flush Plastic Door Pull	2	2	2	2	2	2	2	2	2	2	2	2	2	2	2	2	2	2	2	2	2	2	2	2	2	2	2	2	2	2	2	2	
30	5451-018	Motor Mount Grommet	2	2	2	2	2	2	2	2	2	2	2	2	2	2	2	2	2	2	2	2	2	2	2	2	2	2	2	2	2	2	2	2	
31	5650-046	Rev. Valve Solenoid - Black casing	X	X	X	X	X	X	X	X	X	X	X	X	X	X	X	X	X	X	X	X	X	X	X	X	X	X	X	X	X	X	X	X	X
NS	6094-011	3/4" Barbed Drain Pan Fitting	4	4	4	4	4	4	4	4	4	4	4	4	4	4	4	4	4	4	4	4	4	4	4	4	4	4	4	4	4	4	4	4	
NS	6001-016	Nylon Barbed Tee	X	X	X	X	X	X	X	X	X	X	X	X	X	X	X	X	X	X	X	X	X	X	X	X	X	X	X	X	X	X	X	X	X
NS	7950-021	1" Hose Clamp	8	8	8	8	8	8	8	8	8	8	8	8	8	8	8	8	8	8	8	8	8	8	8	8	8	8	8	8	8	8	8	8	8
NS	910-1977	Evap Overflow Switch Assy	X	X	X	X	X	X	X	X	X	X	X	X	X	X	X	X	X	X	X	X	X	X	X	X	X	X	X	X	X	X	X	X	X

BLOWER ASSEMBLY COMPONENTS



Drawing No.	Part Number	Description	5154-002-0090	5154-005-0089	5154-005-0088	5154-005-0087	5154-006-0081
1	5152-049	Blower Wheel	X	X	X	X	X
2	S8105-059-0090	1/3 HP Programmed Motor	X				
	S8106-051-0089	1/2 HP Programmed Motor		X			
	S8106-051-0088	1/2 HP Programmed Motor			X		
	S8106-051-0087	1/2 HP Programmed Motor				X	
	S8107-016-0081	3/4 HP Programmed Motor					X
3	151-122	Housing	X	X	X	X	X

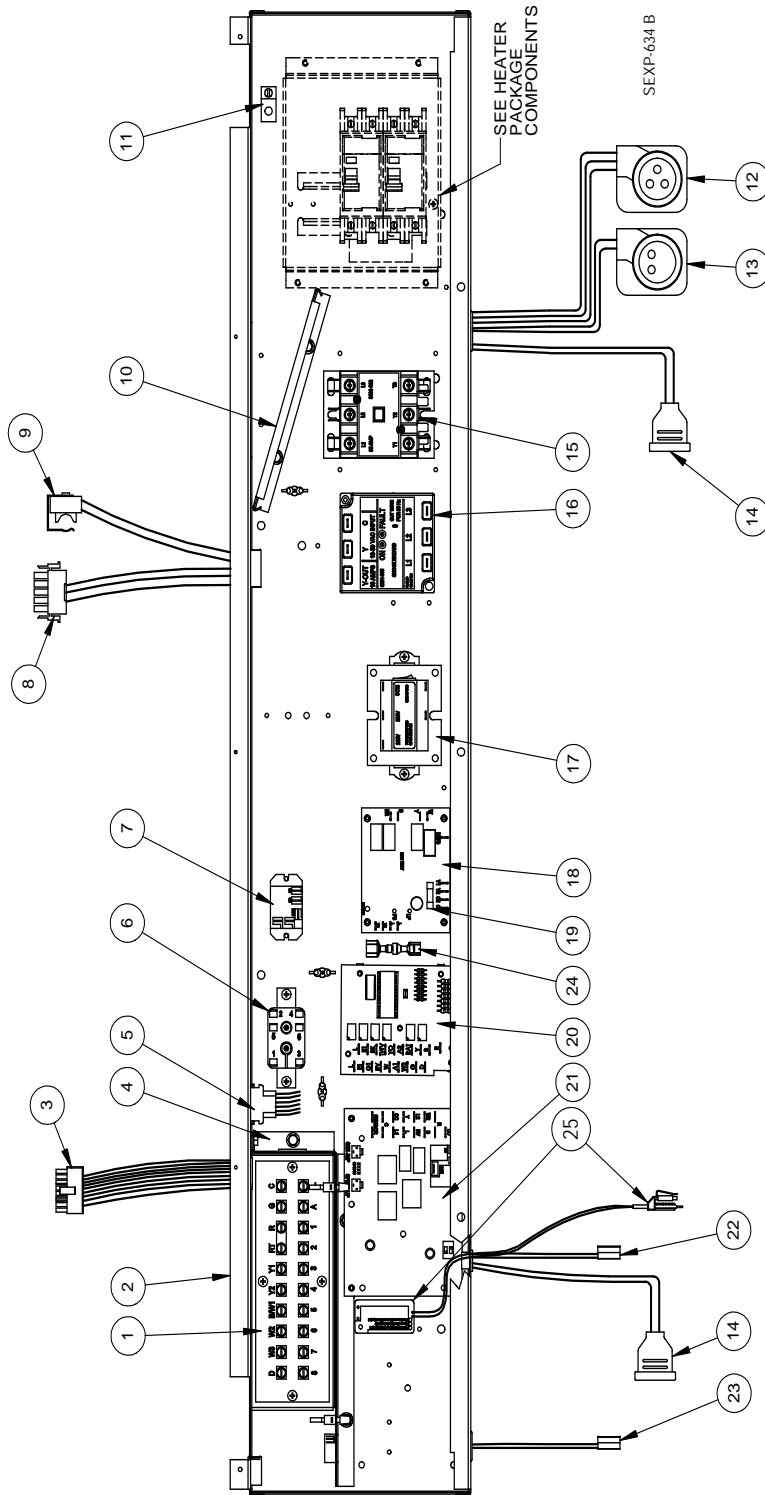
CONTROL PANEL COMPONENTS - 1 PHASE



CONTROL PANEL COMPONENTS – 1 PHASE

Drawing No.	Part Number	Description	I30H1-A	I30H1DA	I36H1-A	I36H1DA	I42H1-A	I42H1DA	I48H1-A	I48H1DA	I60H1-A	I60H1DA
1	8607-032	Low Voltage Terminal Strip	X	X	X	X	X	X	X	X	X	X
2	517-318	Control Panel	X	X	X	X	X	X	X	X	X	X
3	3000-1396	16 pin 24V Indoor Blower Motor Control	X	X	X	X	X	X	X	X	X	X
4	117-319	Low Voltage terminal box	X	X	X	X	X	X	X	X	X	X
5	3000-1397	6 Pin Elect. Heat	X	X	X	X	X	X	X	X	X	X
6	8201-015	Relay	X	X	X	X	X	X	X	X	X	X
7	8201-130	Relay		X		X		X		X		X
8	3000-1398	5 Pin Indoor Blower Motor Power	X	X	X	X	X	X	X	X	X	X
9	8408-048	Freeze protect thermostat	X	X	X	X	X	X	X	X	X	X
10	135-319	Wire Shield	X	X	X	X	X	X	X	X	X	X
11	8611-006	Ground Terminal	X	X	X	X	X	X	X	X	X	X
12	3000-1222	Compressor Power Plug	X	X	X	X	X	X	X	X	X	X
13	3000-1223	Compressor Solenoid Plug	X	X	X	X	X	X	X	X	X	X
14	5650-044	Solenoid Valve plug	X	2	X	2	X	2	X	2	X	2
15	8401-025	Contactora 2 Pole 40 Amp	X	X	X	X	X	X	X	X	X	X
16	8552-035	Capacitor 40MFD 370V	X	X	X	X						
	8552-043	Capacitor 45MFD 370V					X	X				
	8552-095	Capacitor 30MFD 370V							X	X		
	8552-096	Capacitor 40MFD 440V									X	X
17	8550-007	Capacitor Bracket 2" Round	X	X	X	X					X	X
	8550-008	Capacitor Bracket 2-1/2" Round					X	X				
	8550-006	Capacitor Bracket 1-3/4" Round							X	X		
18	8407-048	Transformer 75VA with Circuit Breaker	X	X	X	X	X	X	X	X	X	X
19	8201-128	Fan Logic Control	X	X	X	X	X	X	X	X	X	X
20	8614-052	3.15 Amp Fuse	X	X	X	X	X	X	X	X	X	X
21	8201-113	Dehum Logic Board		X		X		X		X		X
22	8620-223	Defrost Control Board Kit (includes new sensor)	X	X	X	X	X	X	X	X	X	X
23	8620-225	Defrost Sensor Kit	X	X	X	X	X	X	X	X	X	X
24	8408-043	Fan Control Thermistor	X	X	X	X	X	X	X	X	X	X
25	910-1816	Fan Control Resistor (Optional)	X	X	X	X	X	X	X	X	X	X
26	910-1936	Overflow Switch Assembly	X	X	X	X	X	X	X	X	X	X

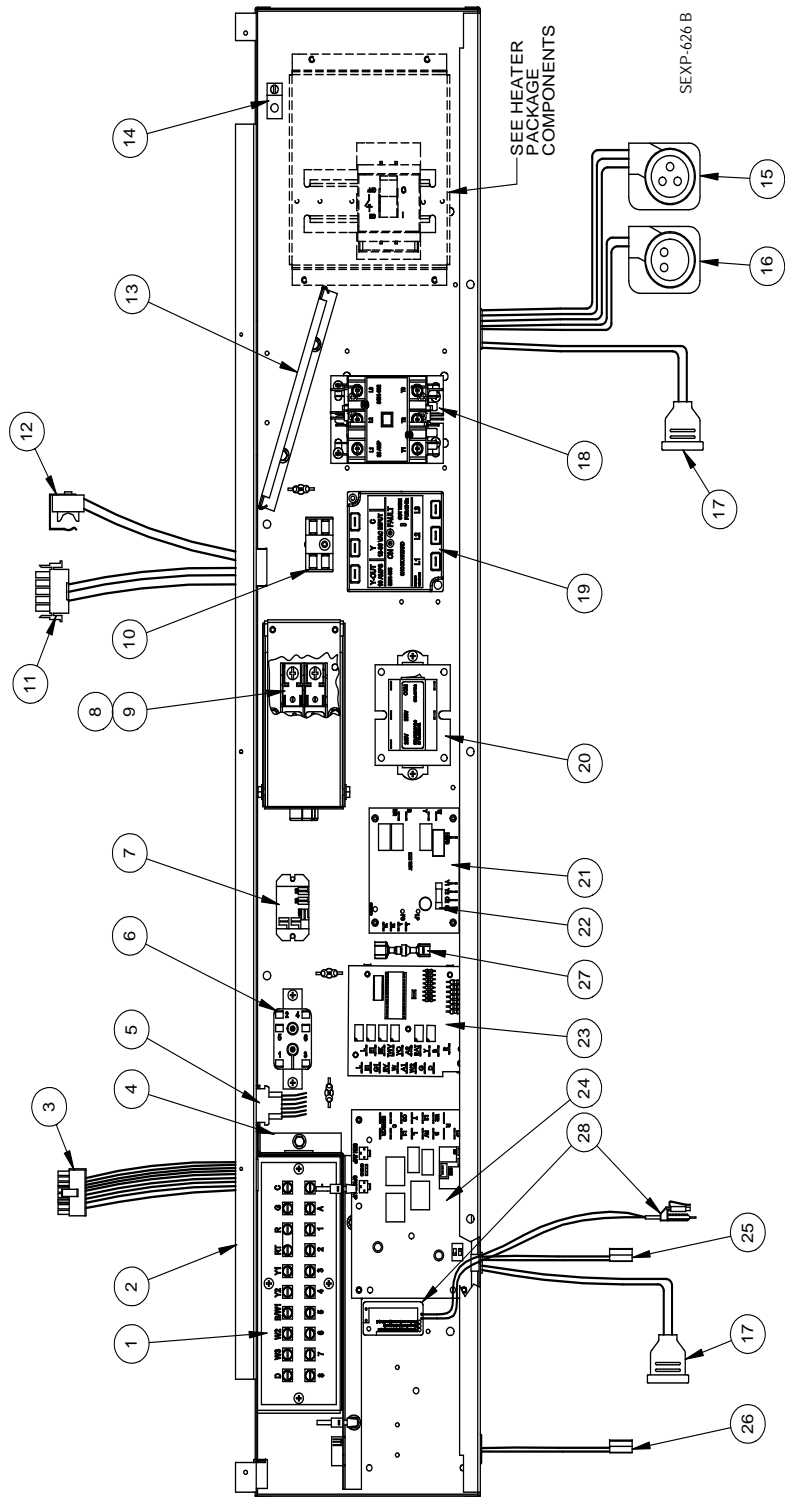
CONTROL PANEL COMPONENTS - 3 PHASE



CONTROL PANEL COMPONENTS – 3 PHASE

Drawing No.	Part Number	Description	I30H1-B	I30H1DB	I36H1-B	I36H1DB	I42H1-B	I42H1DB	I48H1-B	I48H1DB	I60H1-B	I60H1DB
1	8607-032	Low Voltage Terminal Strip	X	X	X	X	X	X	X	X	X	X
2	517-318	Control Panel	X	X	X	X	X	X	X	X	X	X
3	3000-1396	16 pin 24V Indoor Blower Motor Control	X	X	X	X	X	X	X	X	X	X
4	117-319	Low Voltage Terminal Box	X	X	X	X	X	X	X	X	X	X
5	3000-1397	6 Pin Elect. Heat	X	X	X	X	X	X	X	X	X	X
6	8201-015	Relay	X	X	X	X	X	X	X	X	X	X
7	8201-130	Relay		X		X		X		X		X
8	3000-1398	5 Pin Indoor Blower Motor Power	X	X	X	X	X	X	X	X	X	X
9	8408-048	Freeze Protect Thermostat	X	X	X	X	X	X	X	X	X	X
10	135-319	Wire Shield	X	X	X	X	X	X	X	X	X	X
11	8611-006	Ground Terminal	X	X	X	X	X	X	X	X	X	X
12	3000-1231	Compressor Power Plug	X	X	X	X	X	X	X	X	X	X
13	3000-1223	Compressor Solenoid Plug	X	X	X	X	X	X	X	X	X	X
14	5650-044	Solenoid Valve Plug	X	2	X	2	X	2	X	2	X	2
15	8401-002	Contactora 3 Pole 25 Amp	X	X	X	X	X	X	X	X	X	X
16	8201-126	3-PH Line Monitor	X	X	X	X	X	X	X	X	X	X
17	8407-048	Transformer 75VA with Circuit Breaker	X	X	X	X	X	X	X	X	X	X
18	8201-128	Fan Logic Control	X	X	X	X	X	X	X	X	X	X
19	8614-052	3.15 Amp Fuse	X	X	X	X	X	X	X	X	X	X
20	8201-113	Dehum Logic Board		X		X		X		X		X
21	8620-223	Defrost Control Board Kit (includes new sensor)	X	X	X	X	X	X	X	X	X	X
22	8620-225	Defrost Sensor Kit	X	X	X	X	X	X	X	X	X	X
23	8408-043	Fan Control Thermistor	X	X	X	X	X	X	X	X	X	X
24	S910-1816	Fan Control Resistor (Optional)	X	X	X	X	X	X	X	X	X	X
25	910-1936	Overflow Switch Assembly	X	X	X	X	X	X	X	X	X	X

CONTROL PANEL COMPONENTS – 460V 3 PHASE

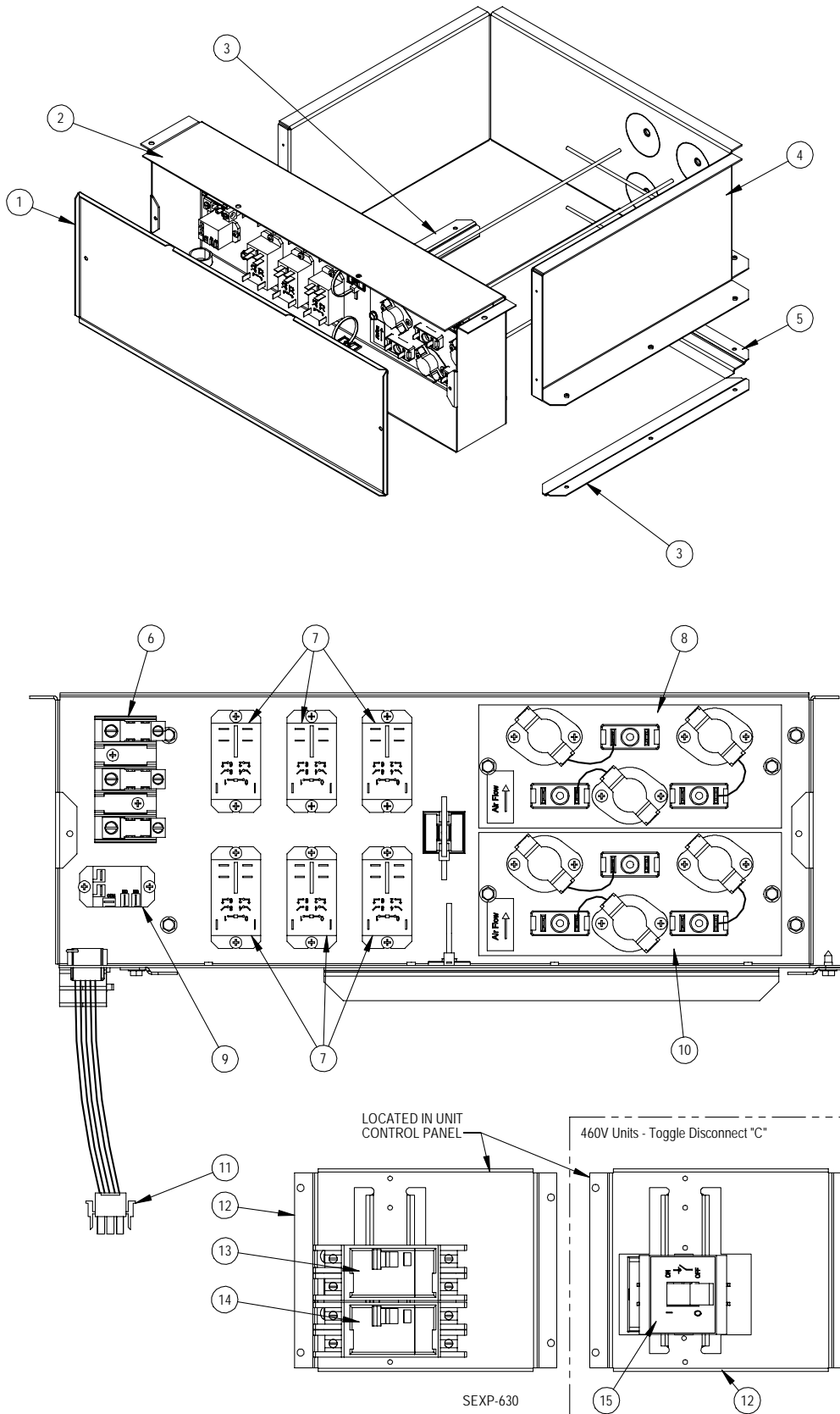


CONTROL PANEL COMPONENTS – 460V 3 PHASE

Drawing No.	Part Number	Description	I30H1-C	I30H1DC	I36H1-C	I36H1DC	I42H1-C	I42H1DC	I48H1-C	I48H1DC	I60H1-C	I60H1DC
1	8607-032	Low Voltage Terminal Strip	X	X	X	X	X	X	X	X	X	X
2	517-318	Control Panel	X	X	X	X	X	X	X	X	X	X
3	3000-1396	16 pin 24V Indoor Blower Motor Control	X	X	X	X	X	X	X	X	X	X
4	117-319	Low Voltage Terminal Box	X	X	X	X	X	X	X	X	X	X
5	3000-1397	6 Pin Elect. Heat	X	X	X	X	X	X	X	X	X	X
6	8201-015	Relay	X	X	X	X	X	X	X	X	X	X
7	8201-130	Relay		X		X		X		X		X
8	8614-041	Fuse Block	X	X	X	X	X	X	X	X	X	X
9	<i>See Separate Chart (Below) for Item #9</i>											
10	8607-017	Terminal Block	X	X	X	X	X	X	X	X	X	X
11	3000-1398	5 Pin Indoor Blower Motor Power	X	X	X	X	X	X	X	X	X	X
12	8408-048	Freeze Protect Thermostat	X	X	X	X	X	X	X	X	X	X
13	135-319	Wire Shield	X	X	X	X	X	X	X	X	X	X
14	8611-006	Ground Terminal	X	X	X	X	X	X	X	X	X	X
15	3000-1231	Compressor Power Plug	X	X	X	X	X	X	X	X	X	X
16	3000-1223	Compressor Solenoid Plug	X	X	X	X	X	X	X	X	X	X
17	5650-044	Solenoid Valve Plug	X	2	X	2	X	2	X	2	X	2
18	8401-002	Contactora 3 Pole 25 Amp	X	X	X	X	X	X	X	X	X	X
19	8201-126	3-PH Line Monitor	X	X	X	X	X	X	X	X	X	X
20	8407-048	Transformer 75VA with Circuit Breaker	X	X	X	X	X	X	X	X	X	X
21	8201-128	Fan Logic Control	X	X	X	X	X	X	X	X	X	X
22	8614-052	3.15 Amp Fuse	X	X	X	X	X	X	X	X	X	X
23	8201-113	Dehum Logic Board		X		X		X		X		X
24	8620-223	Defrost Control Board Kit (includes new sensor)	X	X	X	X	X	X	X	X	X	X
25	8620-225	Defrost Sensor Kit	X	X	X	X	X	X	X	X	X	X
26	8408-043	Fan Control Thermistor	X	X	X	X	X	X	X	X	X	X
27	S910-1816	Fan Control Resistor (Optional)	X	X	X	X	X	X	X	X	X	X
28	910-1936	Overflow Switch Assembly	X	X	X	X	X	X	X	X	X	X

		With Vent	No Vent
9	I30H1-C	(2) Part #8614-046 5A Class CC Fuse	(2) Part #8614-047 3.2A Class CC Fuse
	I30H1DC	(2) Part #8614-046 5A Class CC Fuse	(2) Part #8614-047 3.2A Class CC Fuse
	I36H1-C	(2) Part #8614-042 7A Class CC Fuse	(2) Part #8614-046 5A Class Fuse
	I36H1DC	(2) Part #8614-042 7A Class CC Fuse	(2) Part #8614-046 5A Class CC Fuse
	I42H1-C	(2) Part #8614-042 7A Class CC Fuse	(2) Part #8614-046 5A Class CC Fuse
	I42H1DC	(2) Part #8614-042 7A Class CC Fuse	(2) Part #8614-046 5A Class CC Fuse
	I48H1-C	(2) Part #8614-042 7A Class CC Fuse	(2) Part #8614-046 5A Class CC Fuse
	I48H1DC	(2) Part #8614-042 7A Class CC Fuse	(2) Part #8614-046 5A Class CC Fuse
	I60H1-C	(2) Part #8614-043 10A Class CC Fuse	(2) Part #8614-042 7A Class CC Fuse
	I60H1DC	(2) Part #8614-043 10A Class CC Fuse	(2) Part #8614-042 7A Class CC Fuse

ELECTRIC HEATER COMPONENTS



ELECTRIC HEATER COMPONENTS

Drawing No.	Part No.	Description	I30H1-A0Z, I30H1DA0Z	I30H1-A05, I30H1DA05	I30H1-A10, I30H1DA10	I36H1-A0Z, I36H1DA0Z	I36H1-A05, I36H1DA05	I36H1-A10, I36H1DA10	I36H1-A15, I36H1DA15	I42H1-A0Z, I42H1DA0Z	I42H1-A05, I42H1DA05	I42H1-A10, I42H1DA10	I42H1-A15, I42H1DA15	I48H1-A0Z, I48H1DA0Z	I48H1-A04, I48H1DA04	I48H1-A05, I48H1DA05	I48H1-A10, I48H1DA10	I48H1-A15, I48H1DA15	I48H1-A20, I48H1DA20	I60H1-A0Z, I60H1DA0Z	I60H1-A05, I60H1DA05	I60H1-A10, I60H1DA10	I60H1-A15, I60H1DA15	I60H1-A20, I60H1DA20
1	143-148	Heater Box Cover	X	X	X	X	X	X	X	X	X	X	X	X	X	X	X	X	X	X	X	X	X	X
2	117-313	Heater Front Plate	X	X	X	X	X	X	X	X	X	X	X	X	X	X	X	X	X	X	X	X	X	X
3	103-486	Side Blower Offset	2	2	2	2	2	2	2	2	2	2	2	2	2	2	2	2	2	2	2	2	2	2
4	117-307	Heater Wrapper	X	X	X	X	X	X	X	X	X	X	X	X	X	X	X	X	X	X	X	X	X	X
5	103-487	Rear Blower Angle	X	X	X	X	X	X	X	X	X	X	X	X	X	X	X	X	X	X	X	X	X	X
7	8401-036	Contactor 2-Pole 30A		X	2		X	2	3		X	2	2		X	X	2	3	4		X	2	3	4
8	142-159	Heater Blank Off Plate	X	X	X	X	X			X	X	X		X	X	X	X			X	X	X		
	8604-135	Heat Strip 5KW							X				X					X					X	
	8604-136	Heat Strip 10KW																X						X
9	8201-130	Relay		X	X		X	X		X	X	X		X	X	X	X	X		X	X	X	X	X
10	142-159	Heater Blank Off Plate	X			X				X				X						X				
	8604-135	Heat Strip 5KW		X			X				X					X					X			
	8604-136	Heat Strip 10KW			X			X	X			X	X				X	X	X			X	X	X
	8604-134	Heat Strip 4KW													X	X								
11	3000-1402	6-Pin Electric Heater Wire Harness		X	X		X	X	X		X	X	X		X	X	X	X	X		X	X	X	X
12	127-418	Circuit Breaker Base	X	X	X	X	X	X	X	X	X	X	X	X	X	X	X	X	X	X	X	X	X	X
13	8615-037	Circuit Breaker 30A 2-Pole			X											X					X			
	8615-041	Circuit Breaker 60A 2-Pole						X	X			X	X				X	X	X			X	X	X
14	8615-038	Circuit Breaker 35A 2-Pole	X																					
	8615-040	Circuit Breaker 50A 2-Pole		X	X									X		X								
	8615-055	Circuit Breaker 40A 2-Pole				X		X	X															
	8615-041	Circuit Breaker 60A 2-Pole					X				X				X				X	X	X	X	X	X
	8615-039	Circuit Breaker 45A 2-Pole									X		X	X				X	X					

NS = Not Shown

ELECTRIC HEATER COMPONENTS

Drawing No.	Part Number	Description	130H1-B0Z, 130H1DB0Z	130H1-B06, 130H1DB06	130H1-B09, 130H1DB09	136H1-B0Z, 136H1DB0Z	136H1-B06, 136H1DB06	136H1-B09, 136H1DB09	136H1-B15, 136H1DB15	142H1-B0Z, 142H1DB0Z	142H1-B06, 142H1DB06	142H1-B09, 142H1DB09	142H1-B15, 142H1DB15	148H1-B0Z, 148H1DB0Z	148H1-B06, 148H1DB06	148H1-B09, 148H1DB09	148H1-B15, 148H1DB15	148H1-B18, 148H1DB18	160H1-B0Z, 160H1DB0Z	160H1-B06, 160H1DB06	160H1-B09, 160H1DB09	160H1-B15, 160H1DB15	160H1-B18, 160H1DB18
1	143-148	Heater Box Cover	X	X	X	X	X	X	X	X	X	X	X	X	X	X	X	X	X	X	X	X	X
2	117-313	Heater Front Plate	X	X	X	X	X	X	X	X	X	X	X	X	X	X	X	X	X	X	X	X	X
3	103-486	Side Blower Offset	2	2	2	2	2	2	2	2	2	2	2	2	2	2	2	2	2	2	2	2	2
4	117-307	Heater Wrapper	X	X	X	X	X	X	X	X	X	X	X	X	X	X	X	X	X	X	X	X	X
5	103-487	Rear Blower Angle	X	X	X	X	X	X	X	X	X	X	X	X	X	X	X	X	X	X	X	X	X
6	8607-014	Terminal Block																X					X
7	8401-036	Contacto 2-Pole 30A		3	3		3	3	6		3	3	6		3	3	6	6		3	3	6	6
8	142-159	Heater Blank Off Plate	X	X	X	X	X	X		X	X	X		X	X	X			X	X	X		
	8604-137	Heat Strip 6KW							X				X				X					X	
	8604-138	Heat Strip 9KW															X						X
9	8201-130	Relay		X	X		X	X	X		X	X	X		X	X	X	X		X	X	X	X
10	142-159	Heater Blank Off Plate	X			X				X				X					X				
	8604-137	Heat Strip 6KW		X			X				X			X						X			
	8604-138	Heat Strip 9KW			X			X	X			X	X		X	X	X	X			X	X	X
11	3000-1402	6-Pin Electric Heater Wire Harness		X	X		X	X	X		X	X	X		X	X	X	X		X	X	X	X
12	127-418	Circuit Breaker Base	X	X	X		X	X	X	X	X	X	X	X	X	X	X	X	X	X	X	X	X
13	8615-046	Circuit Breaker 60A 3-Pole							X				X				X					X	X
14	8615-051	Circuit Breaker 25A 3-Pole	X																				
	8615-042	Circuit Breaker 35A 3-Pole		X						X				X									
	8615-052	Circuit Breaker 30A 3-Pole				X																	
	8615-044	Circuit Breaker 45A 3-Pole			X		X		X				X				X		X			X	X
	8615-045	Circuit Breaker 50A 3-Pole						X			X				X								
	8615-046	Circuit Breaker 60A 3-Pole										X				X		X		X	X		

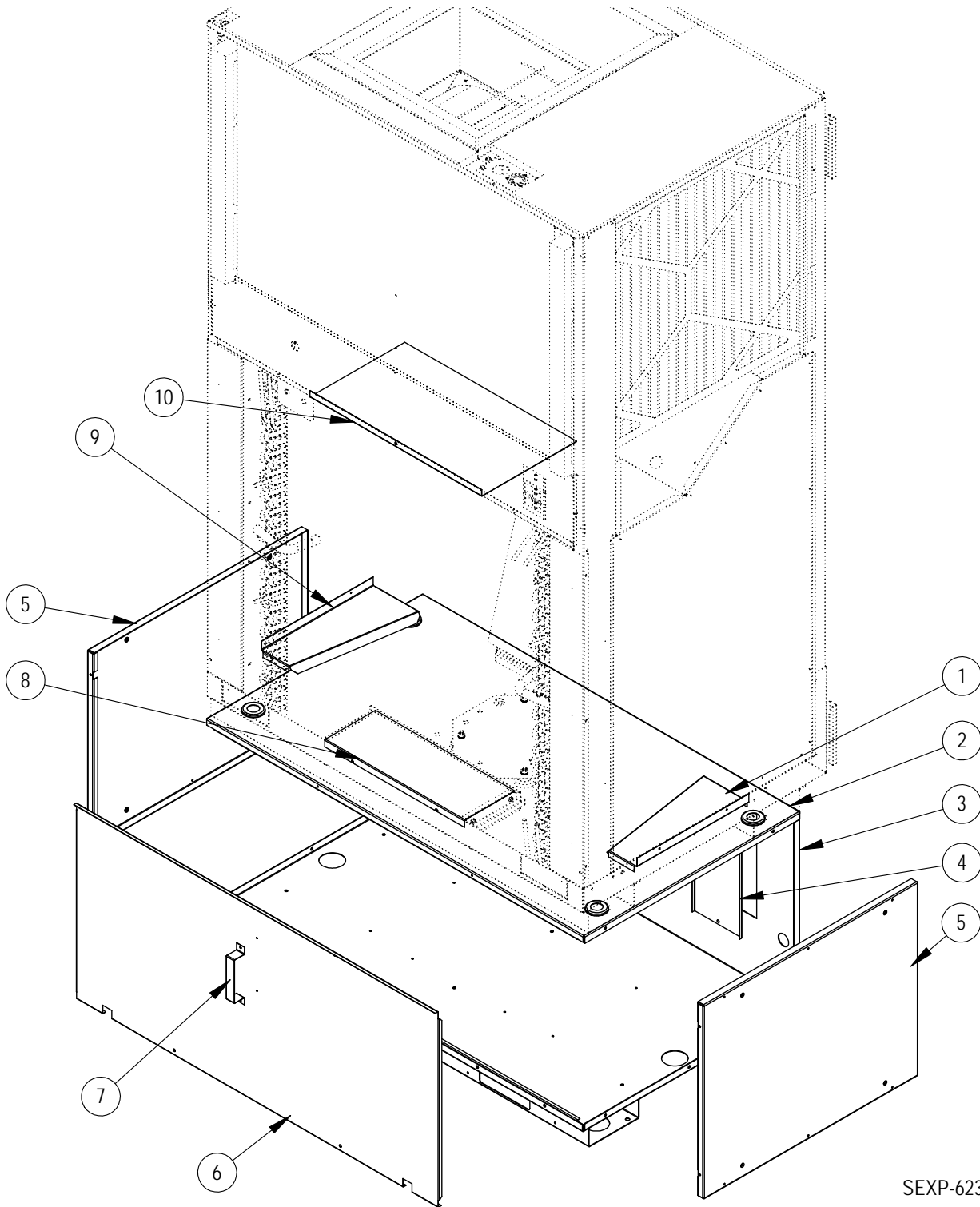
NS = Not Shown

ELECTRIC HEATER COMPONENTS

Drawing No.	Part Number	Description	130H1-C0Z, 130H1DC0Z	130H1-C06, 130H1DC06	130H1-C09, 130H1DC09	136H1-C0Z, 136H1DC0Z	136H1-C06, 136H1DC06	136H1-C09, 136H1DC09	136H1-C15, 136H1DC15	136H1DC15NPD114	142H1-C0Z, 142H1DC0Z	142H1-C06, 142H1DC06	142H1-C09, 142H1DC09	142H1-C15, 142H1DC15	148H1-C0Z, 148H1DC0Z	148H1-C06, 148H1DC06	148H1-C09, 148H1DC09	148H1-C15, 148H1DC15	148H1-C18, 148H1DC18	160H1-C0Z, 160H1DC0Z	160H1-C06, 160H1DC06	160H1-C09, 160H1DC09	160H1-C15, 160H1DC15	160H1-C18, 160H1DC18	
1	143-148	Heater Box Cover	X	X	X	X	X	X	X	X	X	X	X	X	X	X	X	X	X	X	X	X	X	X	X
2	117-313	Heater Front Plate	X	X	X	X	X	X	X	X	X	X	X	X	X	X	X	X	X	X	X	X	X	X	X
3	103-486	Side Blower Offset	2	2	2	2	2	2	2	2	2	2	2	2	2	2	2	2	2	2	2	2	2	2	2
4	117-307	Heater Wrapper	X	X	X	X	X	X	X	X	X	X	X	X	X	X	X	X	X	X	X	X	X	X	X
5	103-487	Rear Blower Angle	X	X	X	X	X	X	X	X	X	X	X	X	X	X	X	X	X	X	X	X	X	X	X
6	8607-014	Terminal Block						X	X					X				X						X	
7	8401-036	Contactora 2-Pole 30A		2	2		2	2	6	6		2	2	6		2	2	6	4		2	2	6	4	
8	142-159	Heater Blank Off Plate	X	X	X	X	X				X	X	X		X	X	X			X	X	X			
	8604-139	Heat Strip 6KW							X	X				X				X						X	
	8604-140	Heat Strip 9KW																	X						X
9	8201-130	Relay		X	X		X	X	X	X		X	X	X		X	X	X	X		X	X	X	X	X
10	142-159	Heater Blank Off Plate	X			X					X				X					X					
	8604-139	Heat Strip 6KW		X			X					X				X					X				
	8604-140	Heat Strip 9KW			X			X	X	X			X	X			X	X	X				X	X	X
11	3000-1402	6-Pin Electric Heater Wire Harness		X	X		X	X	X	X		X	X	X		X	X	X	X		X	X	X	X	X
12	127-418	Circuit Breaker Base	X	X	X	X	X	X	X	X	X	X	X	X	X	X	X	X	X	X	X	X	X	X	X
15	8615-067	Toggle Disconnect 40A 460V	X	X	X	X	X	X			X	X	X	X	X	X	X	X	X	X	X	X	X	X	X
15	8615-077	Circuit Breaker, 30A, 3-Pole, 460V							X																
NS	8615-069	Toggle Disconnect Cover Plate	X	X	X	X	X	X			X	X	X	X	X	X	X	X	X	X	X	X	X	X	X

NS = Not Shown

VENT BOX (ONLY) COMPONENTS

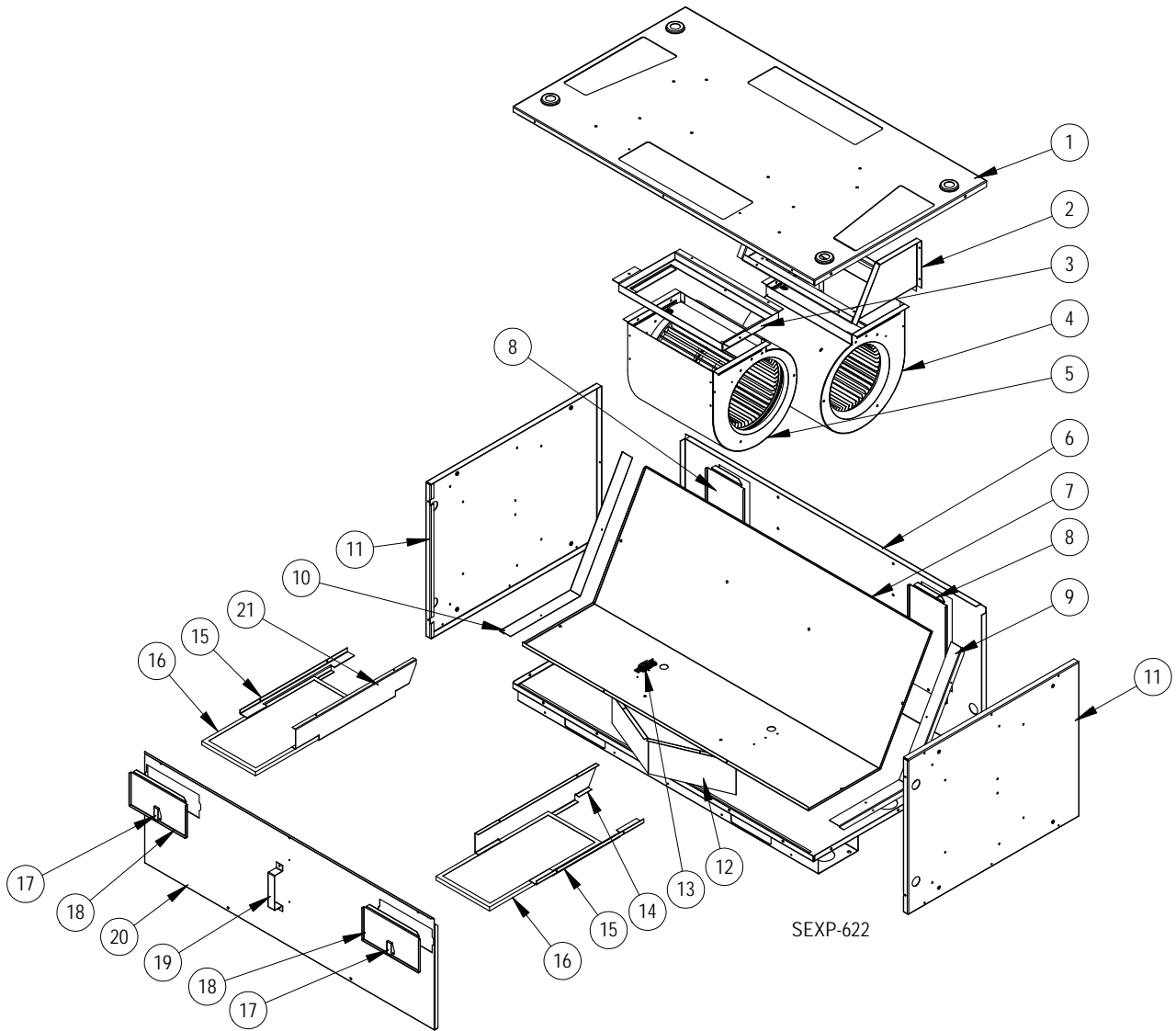


SEXP-623

VENT BOX (ONLY) COMPONENTS

Drawing No.	Part Number	Description	Vent Box Only
1	S143X164	Right Side Intake Fill	X
2	507-298	Vent Box Top	X
3	S527-419	Vent Box Base	X
4	543-158	Drain Access Plate	2
5	S501-639	Vent Box Side	2
6	553-508	Vent Box Door	X
7	113-441	Door Latch Bracket	X
8	S143-160	Lower Intake Fill	X
9	S143Y164	Left Side Intake Fill	X
10	S143-161	Upper Intake Fill	X

CRV COMPONENTS

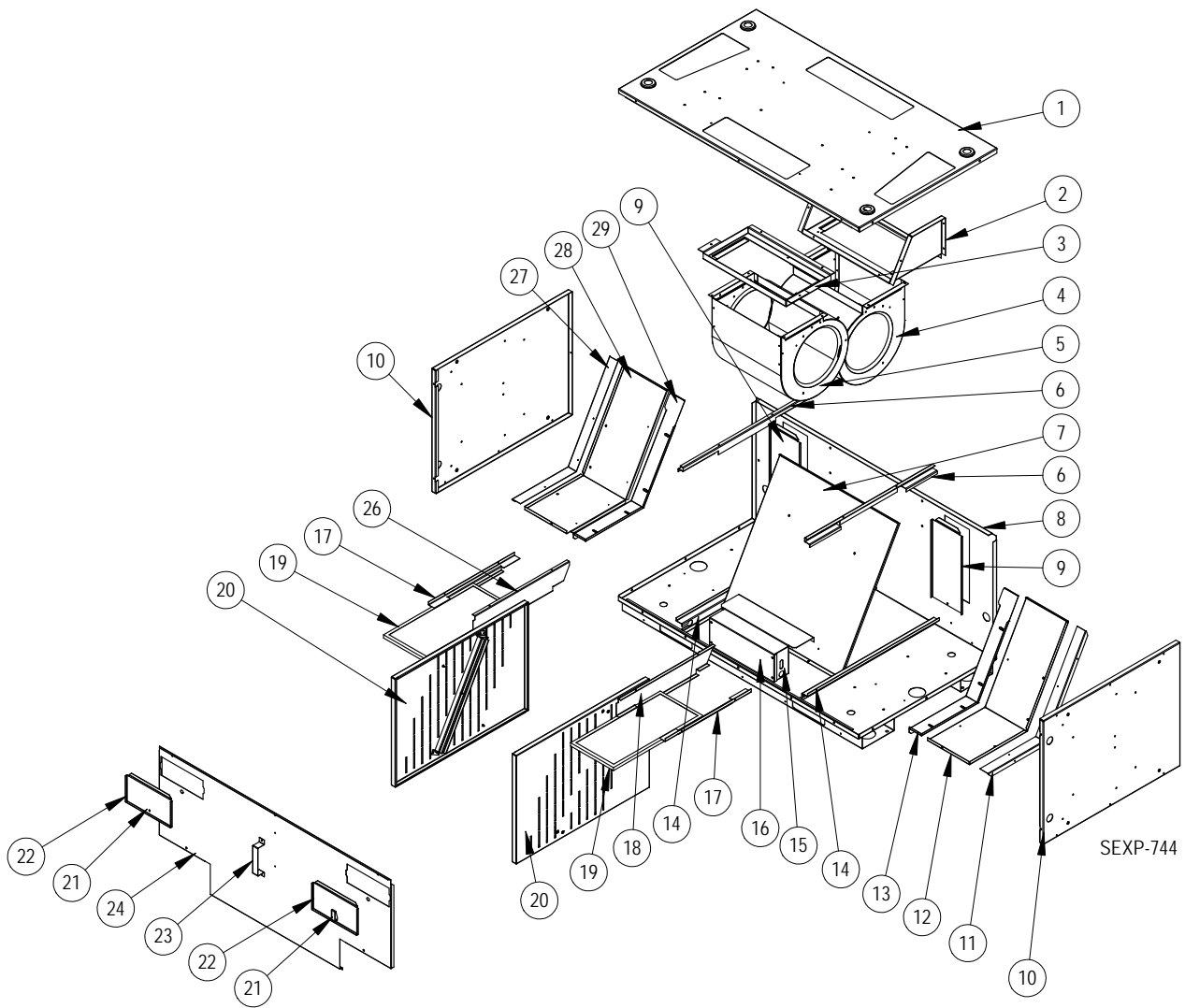


CRV COMPONENTS

Drawing No.	Part Number	Description	CRV 920-0012	
			ERV/ECON	920-0196
1	S507-297	Vent Box Top	X	X
2	103-489	Rear Blower Offset	X	X
3	103-488	Front Blower Offset	X	X
4	900-318-001	Exhaust Blower Assembly	X	
4	900-318-005	Exhaust Blower Assembly		X
5	900-318-002	Intake Blower Assembly	X	
5	900-316-006	Intake Blower Assembly		X
6	S527-419	Vent Box Base	X	X
7	521-459	Partition	X	X
8	543-158	Drain Access Plate	2	2
9	505X1260	Right Partition Angle	X	X
10	505Y1260	Left Partition Angle	X	X
11	S501-638	Vent Box Side	2	2
12	569-179	Baffle	X	X
13	S910-1809	Terminal Block Assembly	X	X
14	141X382	Right Lower Filter Bracket	X	X
15	141-381	Filter Angle	2	X
16	7003-064	Vent Intake Filter	2	2
17	1171-053	Swell Latch	2	2
18	S153-506	Filter Door	2	2
19	113-441	Door Latch Bracket	X	X
20	S553-507	Blower Door	X	X
21	141Y382	Left Lower Filter Bracket	X	X
NS	3000-1403	Intake/Exhaust Power Plug	X	X
NS	3000-1404	Intake/Exhaust Speed Plug	2	
NS	3000-1445	Intake/Exhaust Speed Plug		X
NS	3000-1406	Vent Section Plug	X	
NS	3000-1446	Vent Section Plug		X
NS	3000-1411	Unit Control Panel Plug	X	
NS	3000-1447	Unit Control Panel Plug		X
NS	8201-062	Relay (in unit Control Panel)	X	
NS	8201-130	Relay, SPDT		3
NS	8201-071	Relay, 3PDT		1

NS = Not Shown

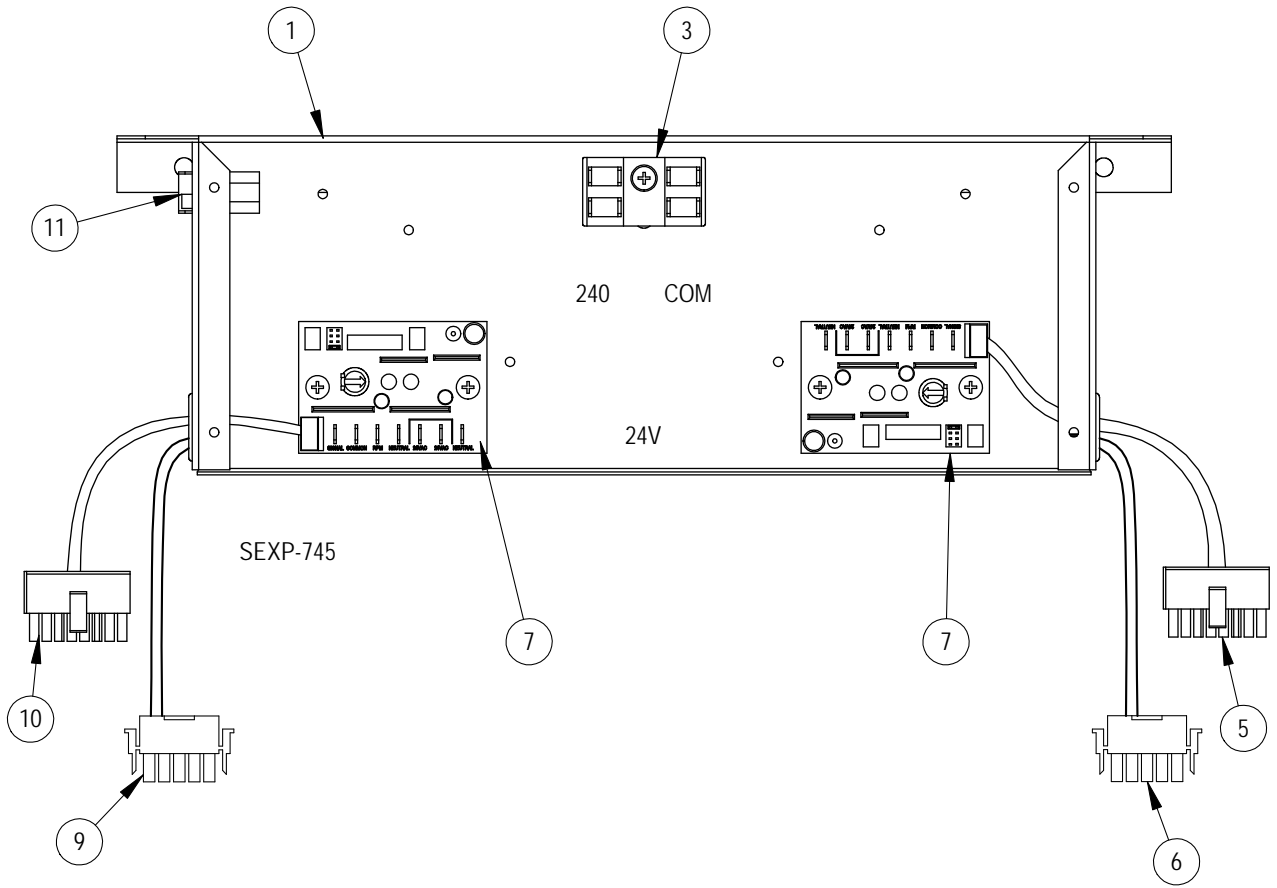
MODULATING CRV COMPONENTS



MODULATING CRV COMPONENTS

Drawing No.	Part Number	Description	Modulating CRV
1	S507-297	Vent Box Top	X
2	103-489	Rear Blower Offset	X
3	103-488	Front Blower Offset	X
4	900-319-001	Exhaust Blower Assembly	X
5	900-319-002	Intake Blower Assembly	X
6	141-379	Cassette Upper Rail	2
7	521-457	Partition	X
8	S527-419	Vent Box Base	X
9	543-158	Drain Access Plate	2
10	S501-638	Vent Box Side	2
11	505X1260	Right Partition Angle	X
12	521-464	Right Side Partition	X
13	S105X1258	Right Cassette Seal Angle	X
14	141-380	Cassette Lower Rail	2
15	Control Panel	See Control Panel section	x
16	153-511	Control Panel Cover	X
17	141-381	Filter Angle	2
18	141X382	Right Lower Filter Bracket	X
19	7003-064	Vent Intake Filter	2
20	139-332	Restrictor Plate	2
21	1171-053	Swell Latch	2
22	S153-506	Filter Door	2
23	113-441	Door Latch Bracket	X
24	S553-505	Cassette Door	X
26	141Y382	Left Lower Filter Bracket	X
27	105Y1260	Left Partition Angle	X
28	521-465	Left Side Partition	X
29	S105Y1258	Left Cassette Seal Angle	X

MODULATING CRV CONTROL PANEL COMPONENTS

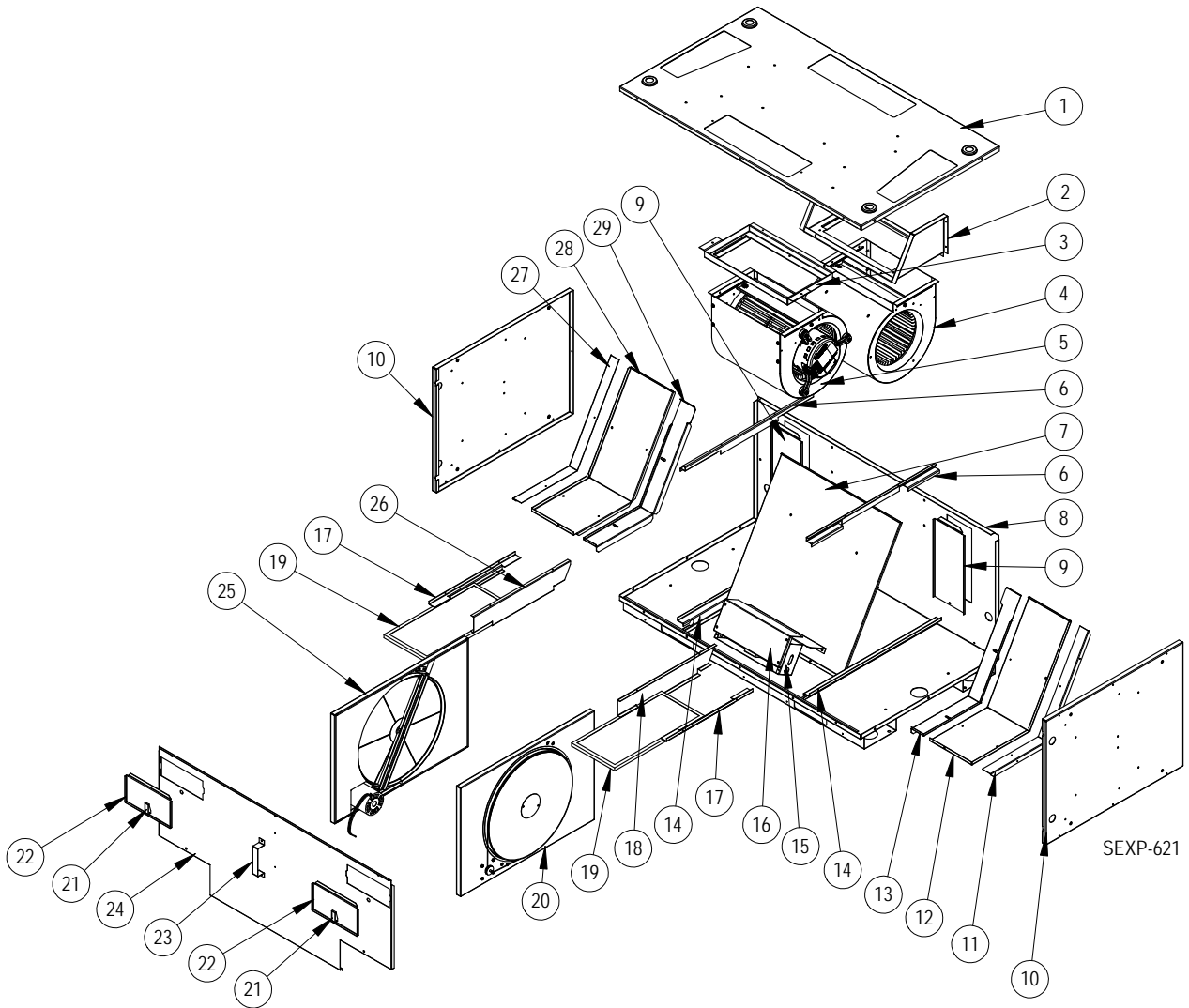


MODULATING CRV CONTROL PANEL COMPONENTS

Drawing No.	Part Number	Description	Modulating CRV Control Panel
1	117-323	Control Panel	X
3	8607-017	Terminal Block	X
5	3000-1407	Exhaust Speed Plug	X
6	3000-1331	Intake Plover Plug	X
7	8201-124	Blower Control Board	2
9	3000-1356	Intake Speed Plug	X
10	3000-1358	Exhaust Power Plug	X
11	3000-1409	Vent Section Plug	X
NS	3000-1408	Extension Plug	X
NS	3000-1405	Unit Control Panel Plug	X
NS	8201-013	Relay (in unit Control Panel)	X

NS = Not Shown

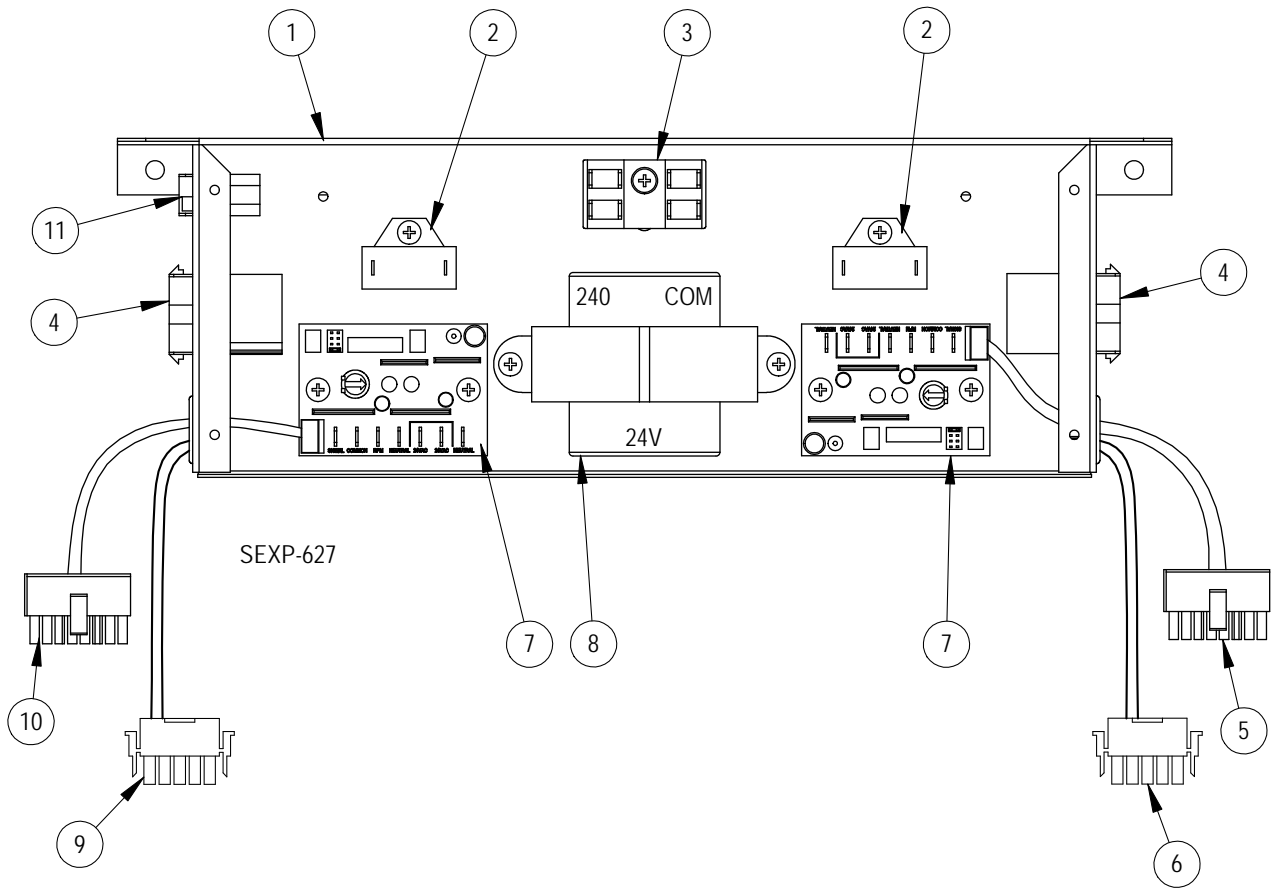
ERV COMPONENTS



ERV COMPONENTS

Drawing No.	Part Number	Description	ERV
1	S507-297	Vent Box Top	X
2	103-489	Rear Blower Offset	X
3	103-488	Front Blower Offset	X
4	900-319-001	Exhaust Blower Assembly	X
5	900-319-002	Intake Blower Assembly	X
6	141-379	Cassette Upper Rail	2
7	521-457	Partition	X
8	S527-419	Vent Box Base	X
9	543-158	Drain Access Plate	2
10	S501-638	Vent Box Side	2
11	505X1260	Right Partition Angle	X
12	521-464	Right Side Partition	X
13	S105X1258	Right Cassette Seal Angle	X
14	141-380	Cassette Lower Rail	2
15	Control Panel	See Control Panel section	x
16	153-511	Control Panel Cover	X
17	141-381	Filter Angle	2
18	141X382	Right Lower Filter Bracket	X
19	7003-064	Vent Intake Filter	2
20	5070-055	Right Cassette Assembly - Complete See cassette section for individual parts	X
21	1171-053	Swell Latch	2
22	S153-506	Filter Door	2
23	113-441	Door Latch Bracket	X
24	S553-505	Cassette Door	X
25	5070-056	Left Cassette Assembly - Complete See cassette section for individual parts	X
26	141Y382	Left Lower Filter Bracket	X
27	105Y1260	Left Partition Angle	X
28	521-465	Left Side Partition	X
29	S105Y1258	Left Cassette Seal Angle	X

ERV CONTROL PANEL COMPONENTS

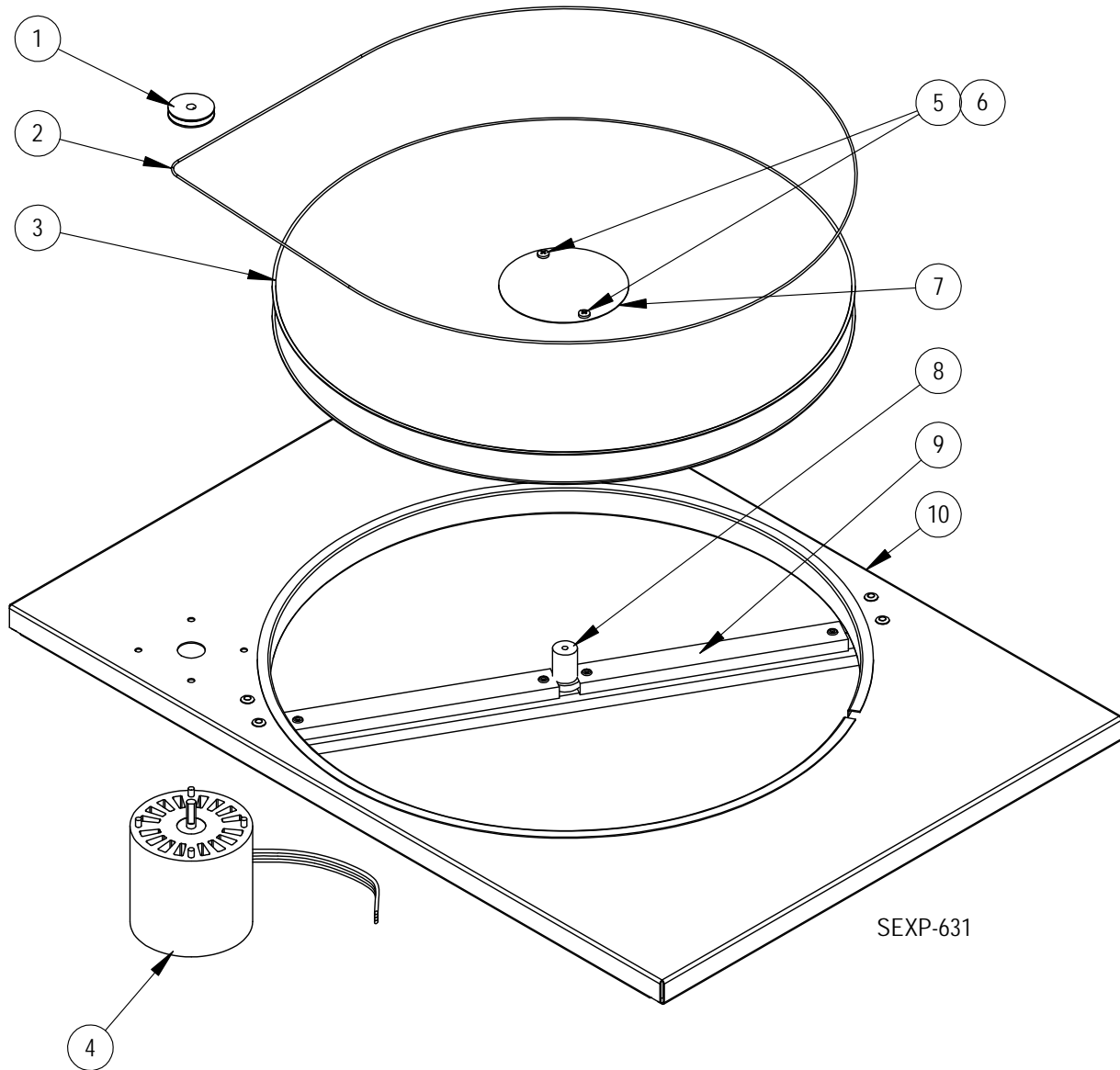


ERV CONTROL PANEL COMPONENTS

Drawing No.	Part Number	Description	ERV Control Panel
1	117-323	Control Panel	X
2	8552-070	3MFD 250V Capacitor	2
3	8607-017	Terminal Block	X
4	3000-1410	Cassette Motor Plug	2
5	3000-1407	Exhaust Speed Plug	X
6	3000-1331	Intake Plover Plug	X
7	8201-124	Blower Control Board	2
8	8407-043	60VA Transformer	X
9	3000-1356	Intake Speed Plug	X
10	3000-1358	Exhaust Power Plug	X
11	3000-1409	Vent Section Plug	X
NS	3000-1408	Extension Plug	X
NS	3000-1405	Unit Control Panel Plug	X
NS	8201-013	Relay (in unit Control Panel)	X

NS = Not Shown

ERV CASSETTE COMPONENTS

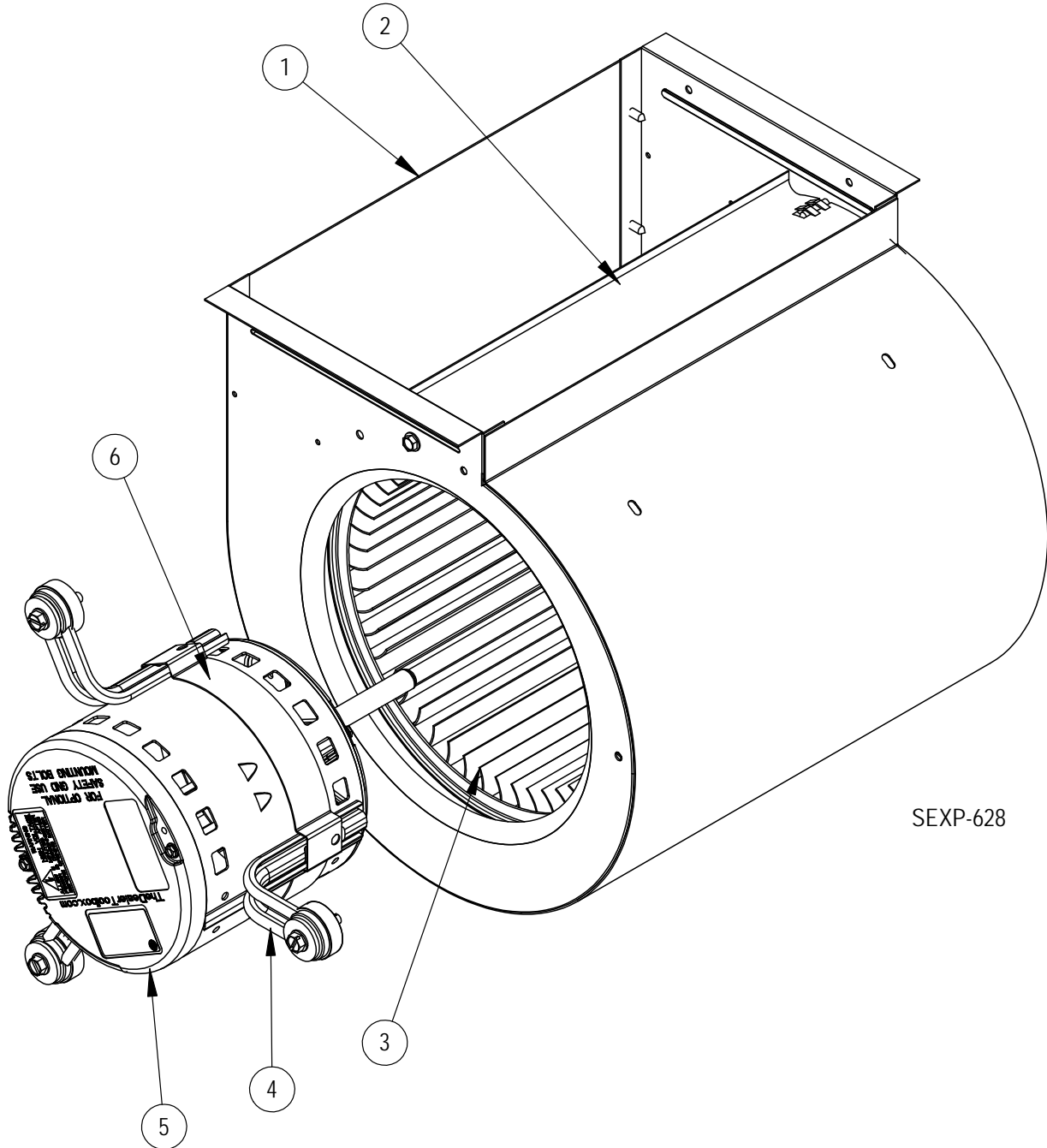


ERV CASSETTE COMPONENTS

Drawing No.	Part Number	Description	5070-055 Right Cassette	5070-056 Left Cassette
1	5501-018	Pulley	X	X
2	5070-054	Drive Belt	X	X
3	5070-043	Cassette Wheel	X	X
4	8101-016	Motor	X	X
5	1012-164	Machine Screw	2	2
6	8611-111	Nylon Spacer	2	2
7	142-104	Hub Cover	X	X
8	1912-012	Wheel Shaft	X	X
9	105-1259	Cassette Wheel Angle	X	X
10	539X275	Right Hand Cassette Plate	X	
10	539Y275	Left Hand Cassette Plate		X
NS	8620-204	ERV Bearing, Shaft & Hardware Kit	X	X
NS	8620-205	ERV Shaft & Hardware Kit	X	X

NS = Not Shown

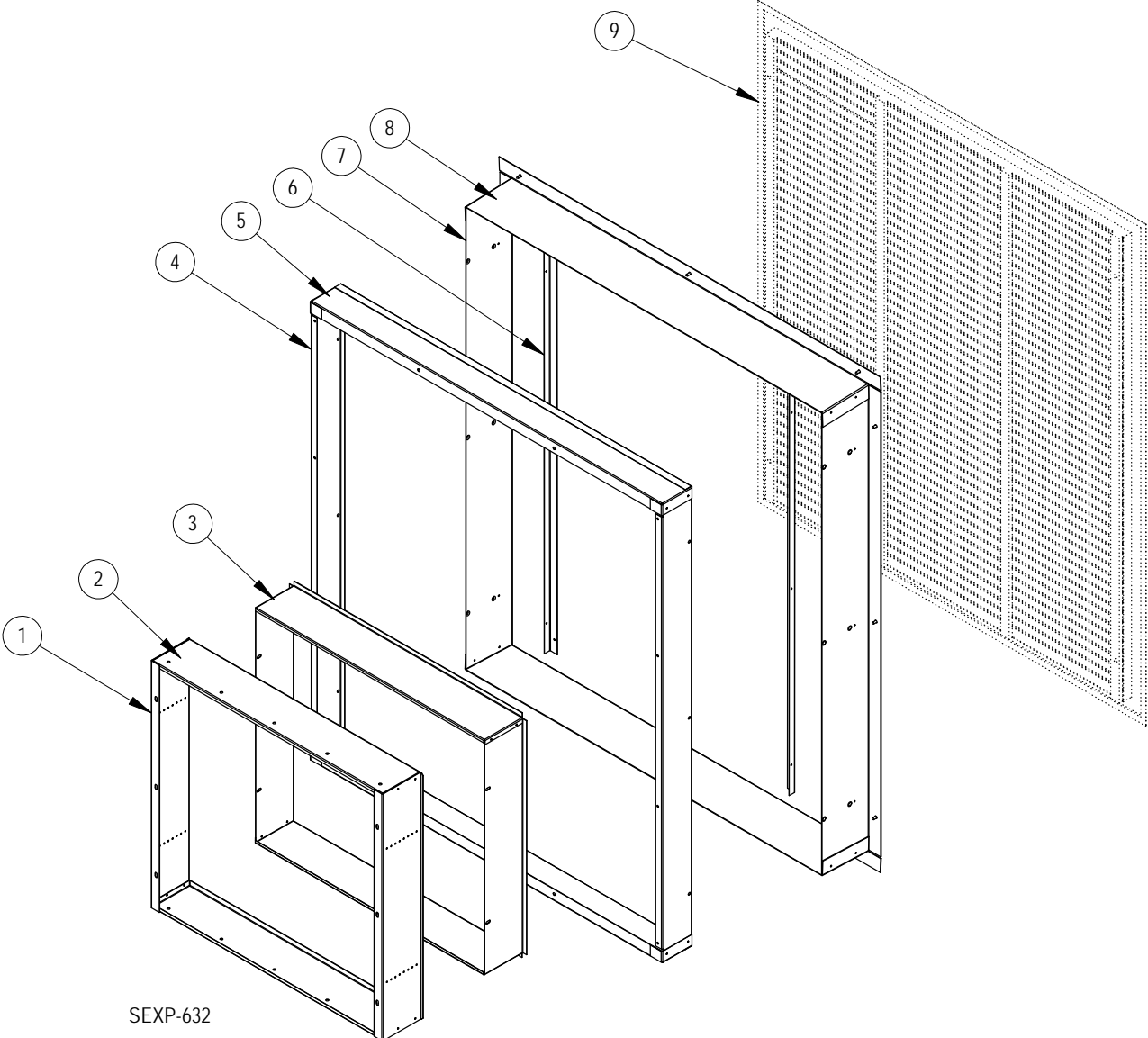
CRV/ERV BLOWER COMPONENTS



CRV/ERV BLOWER COMPONENTS

Drawing No.	Part Number	Description	900-318-001	900-318-002	900-319-001	900-319-002
1	151-124	Blower Housing	X	X	X	X
2	144-129	Diffuser	X	X	X	X
3	5152-067	Blower Wheel	X	X	X	X
4	8200-046	Motor Mount Arm	3	3	3	3
5	S8105-056-0104	1/3 HP Programmed Motor – CRV Exhaust	X			
	S8105-056-0105	1/3 HP Programmed Motor – CRV Intake		X		
	S8105-059-0106	1/3 HP Programmed Motor – ERV Exhaust			X	
	S8105-059-0107	1/3 HP Programmed Motor – ERV Intake				X
6	8620-034	Motor Mount Band	X	X	X	X

SLEEVE COMPONENTS

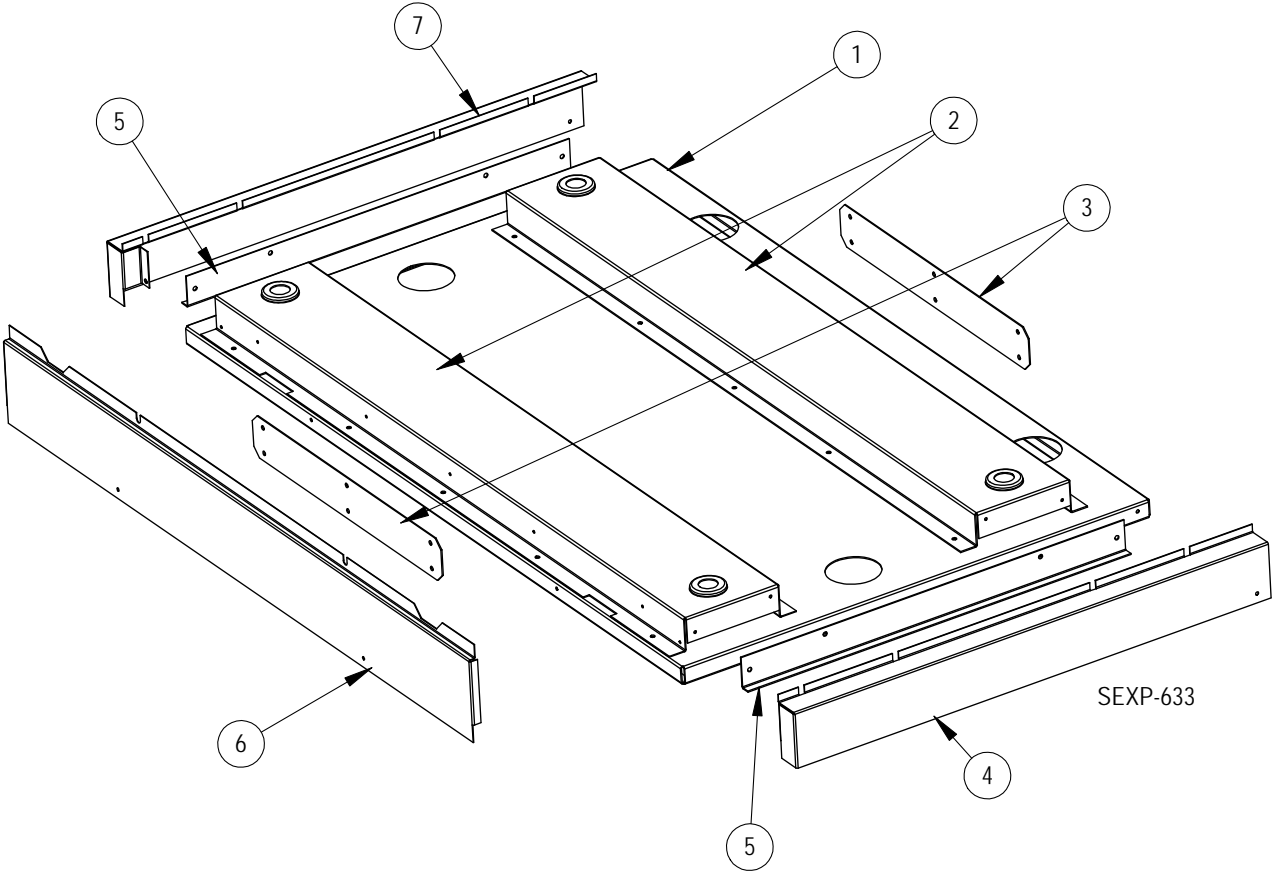


SEXP-632

SLEEVE COMPONENTS

Drawing No.	Part Number	Description	IWS-A	IWS-B	IWS-C
1	S111-188-8 4½" Deep	Outer Sleeve Side	2		
	S111-195-8 7" Deep			2	
	S111-202-8 12" Deep				2
2	S111-187-8 4½" Deep	Outer Sleeve End	2		
	S111-194-8 7" Deep			2	
	S111-201-8 12" Deep				2
3	111-189-8 4½" Deep	Inner Fan Sleeve Side	2		
	111-196-8 7" Deep			2	
	111-203-8 12" Deep				2
4	111-186-8 3½" Deep	Inner Sleeve Side	2		
	111-193-8 6" Deep			2	
	111-200-8 11" Deep				2
5	111-185-8 3½" Deep	Inner Sleeve End	2		
	111-192-8 6" Deep			2	
	111-199-8 11" Deep				2
6	105-1257-8	Grille Support Angle	2	2	2
7	111-184-8 5½" Deep	Outer Sleeve Side	2		
	111-191-8 8" Deep			2	
	111-198-8 13" Deep				2
8	111-183-8 5½" Deep	Outer Sleeve End	2		
	111-190-8 8" Deep			2	
	111-197-8 13" Deep				2
9	ILG-10	Outdoor Louver Grille - Clear anodized	X	X	X
	ILG-20	Outdoor Louver Grille - Medium Bronze	X	X	X
	ILG-30	Outdoor Louver Grille - Dark Bronze	X	X	X

RISER PLATFORM COMPONENTS



RISER PLATFORM COMPONENTS

Drawing No.	Part Number	Description	IRP-3-*	IRP-6-*
1	127-420-X	Base Plate	X	X
2	141-384 3" 141-385 6"	Base Rail	2	2
3	112-447	Base Connection Plate	2	2
4	135-311-* 3" 135-314-* 6"	Right Side Trim	X	X
5	105-1263 3" 105-1264 6"	Side Support Angle	2	2
6	135-309-* 3" 135-312-* 6"	Front Trim	X	X
7	135-310-* 3" 135-313-* 6"	Left Side Trim	X	X

* Exterior cabinet parts are manufactured with various paint color options. To ensure the proper paint color is received, reference the following codes:

Beige -X
White -1
Buckeye Gray -4