
WALL MOUNTED PACKAGE HEAT PUMPS

Models:

REPLACEMENT PARTS MANUAL

T36S1 T42S1
T48S1 T60S1
T36S1D T42S1D
T48S1D T60S1D

General Notes

- Revised and/or additional pages may be issued from time to time.
- A complete and current manual consists of pages shown in the following contents section.

Important

- Contact the installing and/or local Bard distributor for all parts requirements. Make sure you have the complete model and serial number available from the unit rating plates.

Contents

| <i>Description</i> | <i>Page</i> |
|-----------------------|-------------|
| Cabinet Components | |
| ♦ Exploded View | 2 |
| ♦ Usage List | 3 |
| ♦ Usage List | 4 |
| Functional Components | |
| ♦ Exploded View | 5 |
| ♦ Usage List | 6 & 7 |
| ♦ Usage List | 8 & 9 |
| Control Panel | |
| ♦ Layout | 10 |
| ♦ Usage List | 11 |
| ♦ Usage List | 12 |
| Blower Assembly | |
| ♦ Exploded View | 13 |
| ♦ Usage List | 13 |



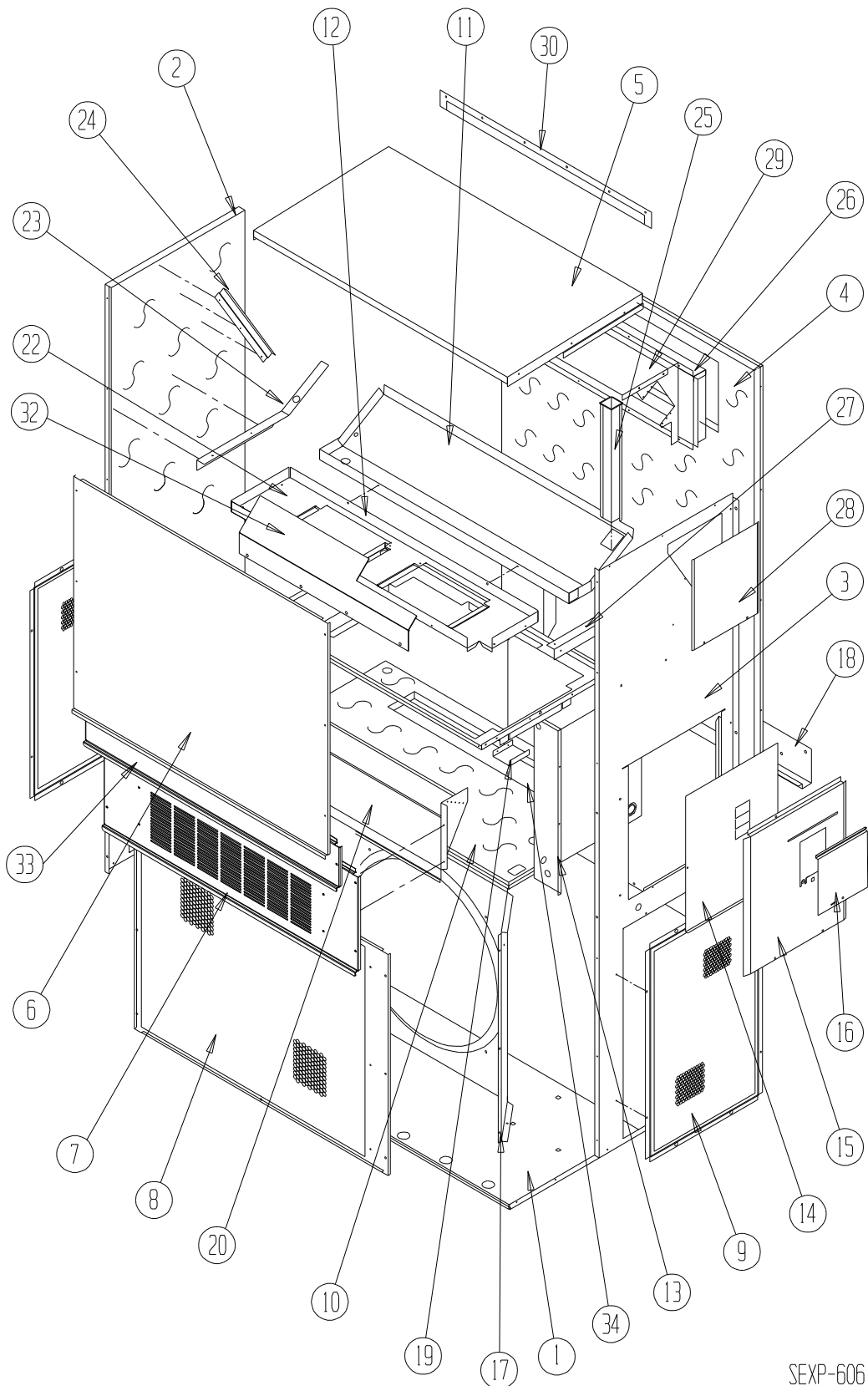
Bard Manufacturing Company, Inc.
Bryan, Ohio 43506

Since 1914...Moving ahead, just as planned.

Manual: 2110-586C
Supersedes: 2110-586B
File: Tab 17
Date: 02-26-13

CLIMATE CONTROL SOLUTIONS

CABINET COMPONENTS



SEXP-606

CABINET COMPONENTS

| Dwg. No. | Part Number | Description | T36S1-A, -B, DA, DB | T36S1-C, DC | T42S1-A, -B, DA, DB | T42S 1-C, DC |
|----------|------------------------|--|------------------------|----------------|------------------------|-----------------|
| 1 | S127X214 | Lower Base | X | X | X | X |
| 1 | S127X369 ③ | Lower Base | X | X | X | X |
| 2 | S500-262-* ① | Left Side | X | X | X | X |
| 2 | S500-464 ② | Left Side | X | X | X | X |
| 2 | S500X518 ③ | Left Side | X | X | X | X |
| 3 | S500-261-* ① | Right Side | X | X | X | X |
| 3 | S500-463 ② | Right Side | X | X | X | X |
| 3 | S500-517 ③ | Right Side | X | X | X | X |
| 4 | S508-098 | Back | X | X | X | X |
| 4 | S508-191 ② | Back | X | X | X | X |
| 4 | S508-221 ③ | Back | X | X | X | X |
| 5 | S506-142-* ① | Top | X | X | X | X |
| 5 | S506-251 ② | Top | X | X | X | X |
| 5 | S506-274 ③ | Top | X | X | X | X |
| 6 | S515-144-* ① | Upper Front | X | X | X | X |
| 6 | S514-142 ② | Upper Front | X | X | X | X |
| 6 | S514-162 ③ | Upper Front | X | X | X | X |
| 7 | S553-383-* ① | Vent Option Door | X | X | X | X |
| 7 | S553-408-* ① | Vent Option Door with ERV | X | X | X | X |
| 7 | S552-456 ② | Vent Option Door | X | X | X | X |
| 7 | S553-449 ③ | Vent Option Door | X | X | X | X |
| 8 | 118-048-* ① | Condenser Grille | X | X | X | X |
| 8 | 118-064 ② | Condenser Grille | X | X | X | X |
| 8 | 118-072 ③ | Condenser Grille | X | X | X | X |
| 9 | 118-057-* ① | Side Grille | 2 | 2 | 2 | 2 |
| 9 | 118-063 ② | Side Grille | 2 | 2 | 2 | 2 |
| 9 | 118-073 ③ | Side Grille | 2 | 2 | 2 | 2 |
| 10 | S521X258 | Condenser Partition | X | X | X | X |
| 11 | S123-122 | Drain Pan | X | X | X | X |
| 12 | 121X216 | Blower Partition | X | X | X | X |
| 13 | Control Panel Assembly | See Control Panel Assembly Drawing and Parts List Assembly | X | X | X | X |
| 14 | S132-114 | Control Panel Cover (Inner) | X | | X | |
| 14 | S132-183 | Control Panel Cover (Inner) | | X | | X |
| 15 | S533-113-* ① | Control Panel Cover (Outer) | X | X | X | X |
| 15 | S533-185 ② | Control Panel Cover (Outer) | X | X | X | X |
| 15 | S533-195 ③ | Control Panel Cover (Outer) | X | X | X | X |
| 16 | S153-218-* ① | Disconnect Access Door | X | X | X | X |
| 16 | S153-387 ② | Disconnect Access Door | X | X | X | X |
| 16 | S153-405 ③ | Disconnect Access Door | X | X | X | X |
| 17 | 125-024 | Fan Shroud | X | X | X | X |
| 17 | 125-058 ③ | Fan Shroud | X | X | X | X |
| 18 | 113-140 | Bottom Mounting Bracket | X | X | X | X |
| 19 | 137-209 | Fill | X | X | X | X |
| 20 | BFAD-5 | Fresh Air Damper Assembly | X | X | X | X |
| 22 | 131X099 | Filter Tray | X | X | X | X |
| 23 | 105X877 | Left Side Support | X | X | X | X |
| 24 | 147-046 | Left Evaporator Support | X | X | X | X |
| 25 | 135-128 | Raceway | 2 | 2 | 2 | 2 |
| 26 | S111X034 | Outlet Air Frame Assembly | X | X | X | X |
| 27 | 105X878 | Right Side Support | X | X | X | X |
| 28 | S143-042-* ① | Right Side Cover Plate (Outer) | X | X | X | X |
| 28 | S143-105 ② | Right Side Cover Plate (Outer) | X | X | X | X |
| 28 | S143-125 ③ | Right Side Cover Plate (Outer) | X | X | X | X |
| 29 | 135-129 | Heat Shield | X | X | X | X |
| 30 | 113-150-* ① | Top Rain Flashing | X | X | X | X |
| 30 | 113-359-* ③ | Top Rain Flashing | X | X | X | X |
| 32 | 135-175 | Air Baffle | X | X | X | X |
| 33 | S553-384-* ① | Filter Door Assembly | X | X | X | X |
| 33 | S552-457 ② | Filter Door Assembly | X | X | X | X |
| 33 | S553-450 ③ | Filter Door Assembly | X | X | X | X |
| 34 | S536-258 | Condenser Part. Blank-Off Plate | X | X | X | X |
| NS | 141-356 | Compressor Mounting Plate | X | X | X | X |

① Exterior cabinet parts are manufactured with various paint color options. To ensure that you receive the proper paint color, please reference the following codes:

| | | | | | |
|--------------|----|-------------------|----|--------------|----|
| Beige | -X | White | -1 | Buckeye Gray | -4 |
| Desert Brown | -5 | Dark Bronze | -8 | | |
| ② Aluminum | A | ③ Stainless Steel | S | | |

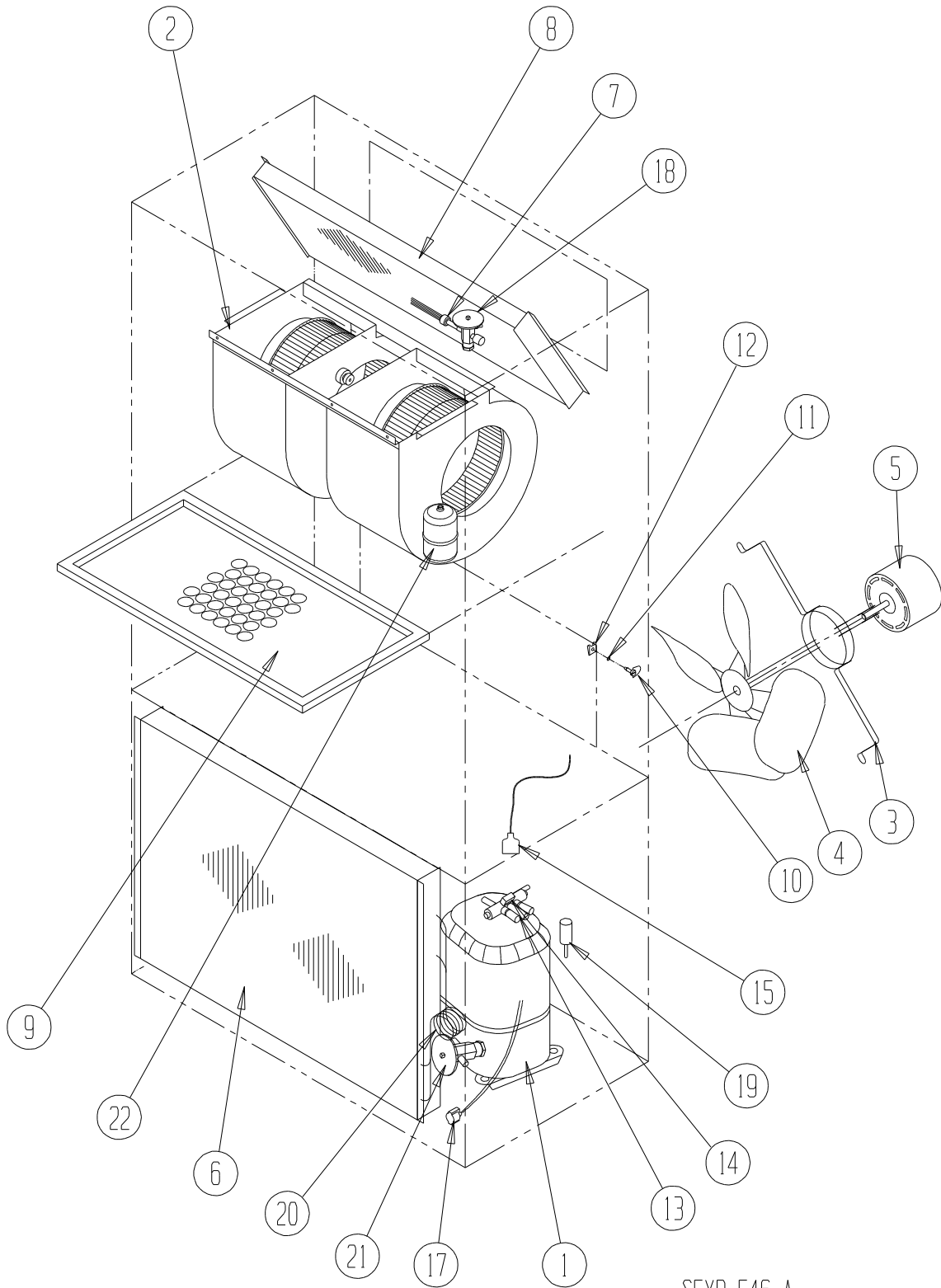
CABINET COMPONENTS

| Dwg. No. | Part Number | Description | T48S1-A, -B, DA, DB | T48S1-C, DC | T60S1-A, -B, DA, DB | T60S1-C, DC |
|----------|------------------------|--|------------------------|----------------|------------------------|----------------|
| 1 | S127X214 | Lower Base | X | X | X | X |
| 1 | S127X369 ③ | Lower Base | X | X | X | X |
| 2 | S500-613-* ① | Left Side | X | X | X | X |
| 2 | S500-615 ② | Left Side | X | X | X | X |
| 2 | S500-617 ③ | Left Side | X | X | X | X |
| 3 | S500-612-* ① | Right Side | X | X | X | X |
| 3 | S500-614 ② | Right Side | X | X | X | X |
| 3 | S500-616 ③ | Right Side | X | X | X | X |
| 4 | S508-251 | Back | X | X | X | X |
| 4 | S508-252 ② | Back | X | X | X | X |
| 4 | S508-253 ③ | Back | X | X | X | X |
| 5 | S506-142-* ① | Top | X | X | X | X |
| 5 | S506-251 ② | Top | X | X | X | X |
| 5 | S506-274 ③ | Top | X | X | X | X |
| 6 | S515-193-* ① | Upper Front | X | X | X | X |
| 6 | S514-194 ② | Upper Front | X | X | X | X |
| 6 | S514-195 ③ | Upper Front | X | X | X | X |
| 7 | S553-383-* ① | Vent Option Door | X | X | X | X |
| 7 | S553-408-* ① | Vent Option Door with ERV | X | X | X | X |
| 7 | S552-456 ② | Vent Option Door | X | X | X | X |
| 7 | S553-449 ③ | Vent Option Door | X | X | X | X |
| 8 | 118-085-* ① | Condenser Grille | X | X | X | X |
| 8 | 118-087 ② | Condenser Grille | X | X | X | X |
| 8 | 118-089 ③ | Condenser Grille | X | X | X | X |
| 9 | 118-086-* ① | Side Grille | 2 | 2 | 2 | 2 |
| 9 | 118-088 ② | Side Grille | 2 | 2 | 2 | 2 |
| 9 | 118-090 ③ | Side Grille | 2 | 2 | 2 | 2 |
| 10 | S521X258 | Condenser Partition | X | X | X | X |
| 11 | S123-122 | Drain Pan | X | X | X | X |
| 12 | 121X216 | Blower Partition | X | X | X | X |
| 13 | Control Panel Assembly | See Control Panel Assembly Drawing and Parts List Assembly | X | X | X | X |
| 14 | S132-114 | Control Panel Cover (Inner) | X | | X | |
| 14 | S132-183 | Control Panel Cover (Inner) | | X | | X |
| 15 | S533-113-* ① | Control Panel Cover (Outer) | X | X | X | X |
| 15 | S533-185 ② | Control Panel Cover (Outer) | X | X | X | X |
| 15 | S533-195 ③ | Control Panel Cover (Outer) | X | X | X | X |
| 16 | S153-218-* ① | Disconnect Access Door | X | X | X | X |
| 16 | S153-387 ② | Disconnect Access Door | X | X | X | X |
| 16 | S153-405 ③ | Disconnect Access Door | X | X | X | X |
| 17 | 125-063 | Fan Shroud | X | X | X | X |
| 17 | 125-064 ③ | Fan Shroud | X | X | X | X |
| 18 | 113-140 | Bottom Mounting Bracket | X | X | X | X |
| 19 | 137-209 | Fill | X | X | X | X |
| 20 | BFAD-5 | Fresh Air Damper Assembly | X | X | X | X |
| 22 | 131X099 | Filter Tray | X | X | X | X |
| 23 | 105X877 | Left Side Support | X | X | X | X |
| 24 | 147-046 | Left Evaporator Support | X | X | X | X |
| 25 | 135-303 | Raceway | 2 | 2 | 2 | 2 |
| 26 | S111X034 | Outlet Air Frame Assembly | X | X | X | X |
| 27 | 105X878 | Right Side Support | X | X | X | X |
| 28 | S143-144-* ① | Right Side Cover Plate (Outer) | X | X | X | X |
| 28 | S143-145 ② | Right Side Cover Plate (Outer) | X | X | X | X |
| 28 | S143-146 ③ | Right Side Cover Plate (Outer) | X | X | X | X |
| 29 | 135-129 | Heat Shield | X | X | X | X |
| 30 | 113-150-* ① | Top Rain Flashing | X | X | X | X |
| 30 | 113-359-* ③ | Top Rain Flashing | X | X | X | X |
| 32 | 135-175 | Air Baffle | X | X | X | X |
| 33 | S553-384-* ① | Filter Door Assembly | X | X | X | X |
| 33 | S552-457 ② | Filter Door Assembly | X | X | X | X |
| 33 | S553-450 ③ | Filter Door Assembly | X | X | X | X |
| 34 | S536-258 | Condenser Part. Blank-Off Plate | X | X | X | X |
| NS | 141-356 | Compressor Mounting Plate | X | X | X | X |

① Exterior cabinet parts are manufactured with various paint color options. To ensure that you receive the proper paint color, please reference the following codes:

| | | | | | |
|--------------|----|-------------------|----|--------------|----|
| Beige | -X | White | -1 | Buckeye Gray | -4 |
| Desert Brown | -5 | Dark Bronze | -8 | | |
| ② Aluminum | A | ③ Stainless Steel | S | | |

FUNCTIONAL COMPONENTS



SEXP-546 A

FUNCTIONAL COMPONENTS

| Dwg. No. | Part Number | Description | T36S1-A | T36S1-B | T36S1-C | T42S1-A | T42S1-B | T42S1-C |
|----------|--------------|---|---------|---------|---------|---------|---------|---------|
| 1 | 8000-379 | Compressor | X | | | | | |
| 1 | 8000-380 | Compressor | | X | | | | |
| 1 | 8000-381 | Compressor | | | X | | | |
| 1 | 8000-391 | Compressor | | | | X | | |
| 1 | 8000-392 | Compressor | | | | | X | |
| 1 | 8000-393 | Compressor | | | | | | X |
| 2 | S900-272-005 | Blower Assembly | X | X | X | | | |
| 2 | S900-273-008 | Blower Assembly | | | | X | X | X |
| 3 | 8200-004 | Fan Motor Mount | X | X | X | X | X | X |
| 4 | 5151-027 | Fan Blade | X | X | X | X | X | X |
| 5 | 8105-039 | Condenser Motor | X | X | | X | X | |
| 5 | 8105-030 | Condenser Motor | | | X | | | X |
| 6 | 5051-107BX | Condenser Coil | X | X | X | | | |
| 6 | 5051-167BX | Condenser Coil | | | | X | X | X |
| 7 | 800-0342 | Cooling Distributor | X | X | X | | | |
| 7 | 800-0383 | Cooling Distributor | | | | X | X | X |
| 8 | 5060-164BX | Evaporator Coil | X | X | X | X | X | X |
| 9 | 7004-016 | Air Filter 1" Throw-Away | X | X | X | X | X | X |
| 9 | 7004-049 | Air Filter 2" Pleated MERV 11 ① | X | X | X | X | X | X |
| 9 | 7004-031 | Air Filter 2" Pleated MERV 8 ① | X | X | X | X | X | X |
| 9 | 7004-027 | Air Filter 2" Pleated MERV 6 ① | X | X | X | X | X | X |
| 10 | 1171-022 | 1/4" Turn Fastener | X | X | X | X | X | X |
| 11 | 1171-024 | 1/4" Turn Retainer | X | X | X | X | X | X |
| 12 | 1171-023 | 1/4" Receptacle | X | X | X | X | X | X |
| 13 | 5650-039 | Reversing Valve with 24V Solenoid Coil | X | X | X | | | |
| 13 | 5650-040 | Reversing Valve with 24V Solenoid Coil | | | | X | X | X |
| 14 | 5650-042 | Rev. Valve Solenoid, Red Casing (Ranco) | X | X | X | X | X | X |
| 14 | 5650-043 | Rev. Valve Solenoid, Black Casing (Wilspec) | X | X | X | X | X | X |
| 14 | 5650-046 | Rev. Valve Solenoid, Black Casing (San Hua) | X | X | X | X | X | X |
| 15 | 5650-037 | Molded Plug 36" Lead | X | X | X | X | X | X |
| 17 | 8620-224 | Defrost Sensor | X | X | X | X | X | X |
| 18 | 5651-174 | Expansion Valve Cooling | X | X | X | | | |
| 19 | 1804-0462 | High Pressure Switch (Flare) ① | X | X | X | X | X | X |
| 20 | 800-0404 | Heating Distributor Assembly | X | X | X | | | |
| 20 | 800-0399 | Heating Distributor Assembly | | | | X | X | X |
| 21 | 5651-216 | Expansion Valve Heating | X | X | X | X | X | X |
| 22 | 5201-010 | Filter Drier | X | X | X | X | X | X |
| NS | 1804-0107 | Low Pressure Switch (Flare) ① | X | X | X | X | X | X |
| NS | CMH-20 | Low Ambient Control (Flare) ① | X | X | X | X | X | X |
| NS | 3000-1223 | Molded Compressor Plug Low Voltage | X | X | X | X | X | X |
| NS | 3000-1224 | Molded Compressor Plug | X | | | X | | |
| NS | 3000-1231 | Molded Compressor Plug | | X | X | | X | X |
| NS | 8002-012 | Sound Cover | X | X | X | X | X | X |
| NS | 8408-039 | Discharge Line Thermostat | X | X | X | X | X | X |

NS – Not Shown

① – Optional

FUNCTIONAL COMPONENTS

| Dwg. No. | Part Number | Description | T36S1DA | T36S1DB | T36S1DC | T42S1DA | T42S1DB | T42S1DC |
|----------|--------------|---|---------|---------|---------|---------|---------|---------|
| 1 | 8000-379 | Compressor | X | | | | | |
| 1 | 8000-380 | Compressor | | X | | | | |
| 1 | 8000-381 | Compressor | | | X | | | |
| 1 | 8000-391 | Compressor | | | | X | | |
| 1 | 8000-392 | Compressor | | | | | X | |
| 1 | 8000-393 | Compressor | | | | | | X |
| 2 | S900-272-005 | Blower Assembly | X | X | X | | | |
| 2 | S900-273-008 | Blower Assembly | | | | X | X | X |
| 3 | 8200-004 | Fan Motor Mount | X | X | X | X | X | X |
| 4 | 5151-027 | Fan Blade | X | X | X | X | X | X |
| 5 | 8105-039 | Condenser Motor | X | X | | X | X | |
| 5 | 8105-030 | Condenser Motor | | | X | | | X |
| 6 | 5051-107BX | Condenser Coil | X | X | X | | | |
| 6 | 5051-167BX | Condenser Coil | | | | X | X | X |
| 7 | 800-0342 | Cooling Distributor | X | X | X | | | |
| 7 | 800-0287 | Cooling Distributor | | | | X | X | X |
| 8 | 917-0186BX | Evaporator Coil | X | X | X | X | X | X |
| 9 | 7004-016 | Air Filter 1" Throw-Away | X | X | X | X | X | X |
| 9 | 7004-049 | Air Filter 2" Pleated MERV 11 ① | X | X | X | X | X | X |
| 9 | 7004-031 | Air Filter 2" Pleated MERV 8 ① | X | X | X | X | X | X |
| 9 | 7004-027 | Air Filter 2" Pleated MERV 6 ① | X | X | X | X | X | X |
| 10 | 1171-022 | 1/4" Turn Fastener | X | X | X | X | X | X |
| 11 | 1171-024 | 1/4" Turn Retainer | X | X | X | X | X | X |
| 12 | 1171-023 | 1/4" Receptacle | X | X | X | X | X | X |
| 13 | 5650-039 | Reversing Valve with 24V Solenoid Coil | X | X | X | | | |
| 13 | 5650-040 | Reversing Valve with 24V Solenoid Coil | | | | X | X | X |
| 14 | 5650-042 | Rev. Valve Solenoid, Red Casing (Ranco) | X | X | X | X | X | X |
| 14 | 5650-043 | Rev. Valve Solenoid, Black Casing (Wilspec) | X | X | X | X | X | X |
| 14 | 5650-046 | Rev. Valve Solenoid, Black Casing (San Hua) | X | X | X | X | X | X |
| 15 | 5650-037 | Molded Plug 36" Lead | X | X | X | X | X | X |
| 17 | 8620-224 | Defrost Sensor | X | X | X | X | X | X |
| 18 | 5651-174 | Expansion Valve Cooling | X | X | X | | | |
| 18 | 5651-178 | Expansion Valve Cooling | | | | X | X | X |
| 19 | 1804-0462 | High Pressure Switch (Flare) ① | X | X | X | X | X | X |
| 20 | 800-0404 | Heating Distributor Assembly | X | X | X | | | |
| 20 | 800-0399 | Heating Distributor Assembly | | | | X | X | X |
| 21 | 5651-216 | Expansion Valve Heating | X | X | X | X | X | X |
| 22 | 5201-010 | Filter Drier | X | X | X | X | X | X |
| NS | 800-0410 | Orifice Assembly | X | X | X | X | X | X |
| NS | 5650-045 | 3-Way Valve | X | X | X | X | X | X |
| NS | 5651-146 | Check Valve | X | X | X | X | X | X |
| NS | 1804-0107 | Low Pressure Switch (Flare) ① | X | X | X | X | X | X |
| NS | CMH-20 | Low Ambient Control (Flare) ① | X | X | X | X | X | X |
| NS | 3000-1223 | Molded Compressor Plug Low Voltage | X | X | X | X | X | X |
| NS | 3000-1224 | Molded Compressor Plug | X | | | X | | |
| NS | 3000-1231 | Molded Compressor Plug | | X | X | | X | X |
| NS | 8002-012 | Sound Cover | X | X | X | X | X | X |
| NS | 8408-039 | Discharge Line Thermostat | X | X | X | X | X | X |
| NS | 8408-038 | Freeze Thermostat | X | X | X | X | X | X |

NS – Not Shown

① – Optional

FUNCTIONAL COMPONENTS

| Dwg. No. | Part Number | Description | T48S1-A | T48S1-B | T48S1-C | T60S1-A | T60S1-B | T60S1-C |
|----------|---------------|---|---------|---------|---------|---------|---------|---------|
| 1 | 8000-382 | Compressor | X | | | | | |
| 1 | 8000-383 | Compressor | | X | | | | |
| 1 | 8000-384 | Compressor | | | X | | | |
| 1 | 8000-385 | Compressor | | | | X | | |
| 1 | 8000-386 | Compressor | | | | | X | |
| 1 | 8000-387 | Compressor | | | | | | X |
| 2 | S900-273-0013 | Blower Assembly | X | X | X | | | |
| 2 | S900-273-0012 | Blower Assembly | | | | X | X | X |
| 3 | 8200-004 | Fan Motor Mount | X | X | X | X | X | X |
| 4 | 5151-027 | Fan Blade | X | X | X | X | X | X |
| 5 | 8105-039 | Condenser Motor | X | X | | | | |
| 5 | 8105-030 | Condenser Motor | | | X | | | |
| 5 | 8105-053 | Condenser Motor | | | | X | X | X |
| 6 | 5051-169 | Condenser Coil | X | X | X | X | X | X |
| 7 | 800-0417 | Cooling Distributor | X | X | X | X | X | X |
| 8 | 917-0190BX | Evaporator Coil | X | X | X | X | X | X |
| 9 | 7004-016 | Air Filter 1" Throw-Away | X | X | X | X | X | X |
| 9 | 7004-049 | Air Filter 2" Pleated MERV 11 ① | X | X | X | X | X | X |
| 9 | 7004-031 | Air Filter 2" Pleated MERV 8 ① | X | X | X | X | X | X |
| 9 | 7004-027 | Air Filter 2" Pleated MERV 6 ① | X | X | X | X | X | X |
| 10 | 1171-022 | 1/4" Turn Fastener | X | X | X | X | X | X |
| 11 | 1171-024 | 1/4" Turn Retainer | X | X | X | X | X | X |
| 12 | 1171-023 | 1/4" Receptacle | X | X | X | X | X | X |
| 13 | 5650-040 | Reversing Valve with 24V Solenoid Coil | X | X | X | X | X | X |
| 14 | 5650-042 | Rev. Valve Solenoid, Red Casing (Ranco) | X | X | X | X | X | X |
| 14 | 5650-043 | Rev. Valve Solenoid, Black Casing (Wilspec) | X | X | X | X | X | X |
| 14 | 5650-046 | Rev. Valve Solenoid, Black Casing (San Hua) | X | X | X | X | X | X |
| 15 | 5650-037 | Molded Plug 36" Lead | X | X | X | X | X | X |
| 17 | 8620-225 | Defrost Sensor | X | X | X | X | X | X |
| 18 | 5651-198 | Expansion Valve Cooling | X | X | X | | | |
| 18 | 5651-199 | Expansion Valve Cooling | | | | X | X | X |
| 19 | 1804-0462 | High Pressure Switch (Flare) ① | X | X | X | X | X | X |
| 20 | 800-0414 | Heating Distributor Assembly | X | X | X | X | X | X |
| 21 | 5651-184 | Expansion Valve Heating | X | X | X | | | |
| 21 | 5651-199 | Expansion Valve Heating | | | | X | X | X |
| 22 | 5201-010 | Filter Drier | X | X | X | X | X | X |
| NS | 1804-0107 | Low Pressure Switch (Flare) ① | X | X | X | X | X | X |
| NS | CMH-19 | Low Ambient Control (Flare) ① | | | | X | X | X |
| NS | CMH-20 | Low Ambient Control (Flare) ① | X | X | X | | | |
| NS | 3000-1223 | Molded Compressor Plug Low Voltage | X | X | X | X | X | X |
| NS | 3000-1224 | Molded Compressor Plug | X | | | X | | |
| NS | 3000-1231 | Molded Compressor Plug | | X | X | | X | X |
| NS | 8000-013 | Sound Cover | X | X | X | X | X | X |
| NS | 8408-039 | Discharge Line Thermostat | X | X | X | X | X | X |

NS – Not Shown

① – Optional

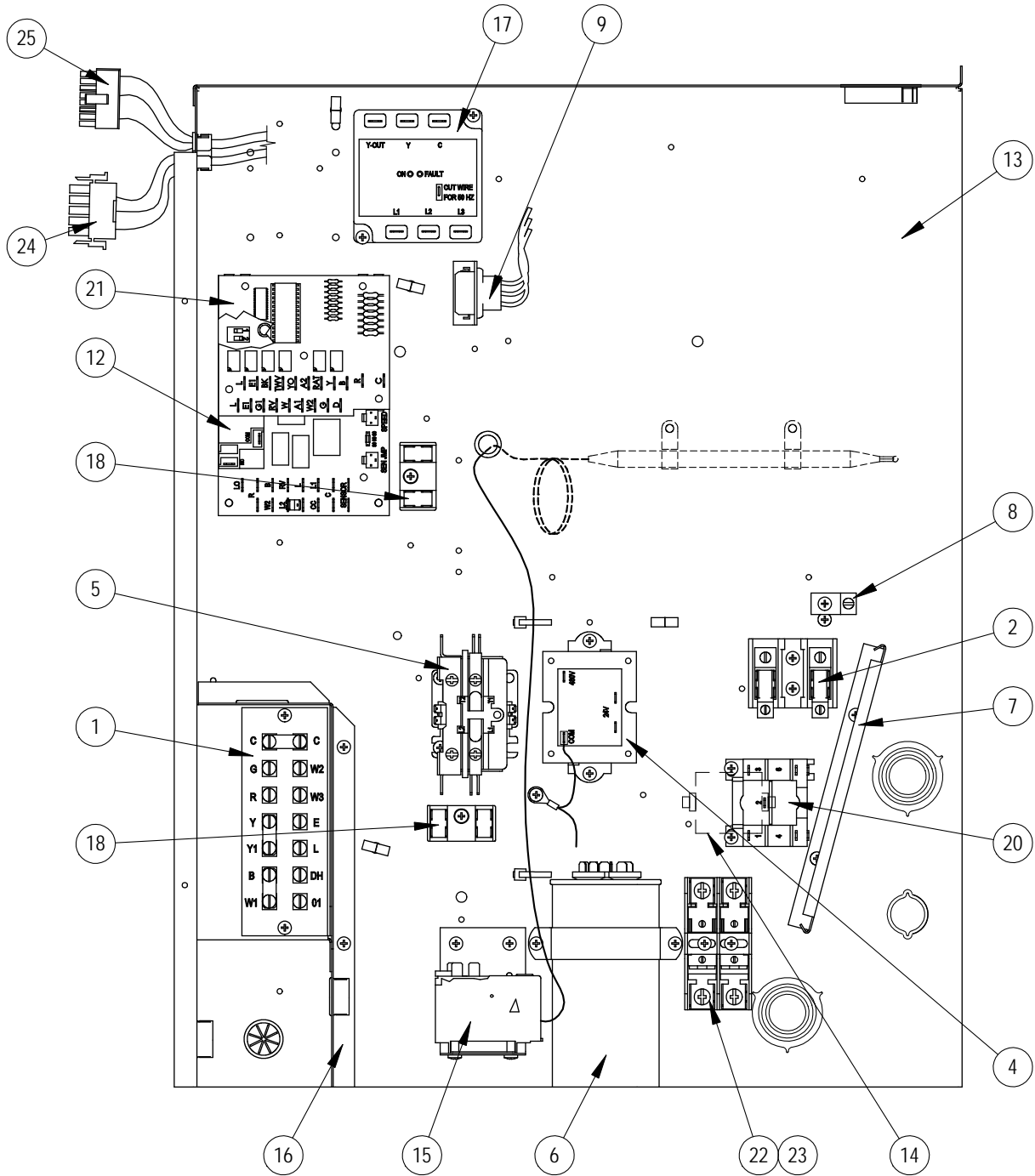
FUNCTIONAL COMPONENTS

| Dwg. No. | Part Number | Description | T48S1DA | T48S1DB | T48S1DC | T60S1DA | T60S1DB | T60S1DC |
|----------|---------------|---|---------|---------|---------|---------|---------|---------|
| 1 | 8000-382 | Compressor | X | | | | | |
| 1 | 8000-383 | Compressor | | X | | | | |
| 1 | 8000-384 | Compressor | | | X | | | |
| 1 | 8000-385 | Compressor | | | | X | | |
| 1 | 8000-386 | Compressor | | | | | X | |
| 1 | 8000-387 | Compressor | | | | | | X |
| 2 | S900-273-0013 | Blower Assembly | X | X | X | | | |
| 2 | S900-273-0012 | Blower Assembly | | | | X | X | X |
| 3 | 8200-004 | Fan Motor Mount | X | X | X | X | X | X |
| 4 | 5151-027 | Fan Blade | X | X | X | X | X | X |
| 5 | 8105-039 | Condenser Motor | X | X | | | | |
| 5 | 8105-030 | Condenser Motor | | | X | | | |
| 5 | 8105-053 | Condenser Motor | | | | X | X | X |
| 6 | 5051-169 | Condenser Coil | X | X | X | X | X | X |
| 7 | 800-0417 | Cooling Distributor | X | X | X | X | X | X |
| 8 | 917-0193BX | Evaporator Coil | X | X | X | X | X | X |
| 9 | 7004-016 | Air Filter 1" Throw-Away | X | X | X | X | X | X |
| 9 | 7004-049 | Air Filter 2" Pleated MERV 11 ① | X | X | X | X | X | X |
| 9 | 7004-031 | Air Filter 2" Pleated MERV 8 ① | X | X | X | X | X | X |
| 9 | 7004-027 | Air Filter 2" Pleated MERV 6 ① | X | X | X | X | X | X |
| 10 | 1171-022 | 1/4" Turn Fastener | X | X | X | X | X | X |
| 11 | 1171-024 | 1/4" Turn Retainer | X | X | X | X | X | X |
| 12 | 1171-023 | 1/4" Receptacle | X | X | X | X | X | X |
| 13 | 5650-040 | Reversing Valve with 24V Solenoid Coil | X | X | X | X | X | X |
| 14 | 5650-042 | Rev. Valve Solenoid, Red Casing (Ranco) | X | X | X | X | X | X |
| 14 | 5650-043 | Rev. Valve Solenoid, Black Casing (Wilspec) | X | X | X | X | X | X |
| 14 | 5650-046 | Rev. Valve Solenoid, Black Casing (San Hua) | X | X | X | X | X | X |
| 15 | 5650-037 | Molded Plug 3/8" Lead | X | X | X | X | X | X |
| 17 | 8620-225 | Defrost Sensor | X | X | X | X | X | X |
| 18 | 5651-198 | Expansion Valve Cooling | X | X | X | | | |
| 18 | 5651-199 | Expansion Valve Cooling | | | | X | X | X |
| 19 | 1804-0462 | High Pressure Switch (Flare) ① | X | X | X | X | X | X |
| 20 | 800-0414 | Heating Distributor Assembly | X | X | X | X | X | X |
| 21 | 5651-184 | Expansion Valve Heating | X | X | X | | | |
| 21 | 5651-199 | Expansion Valve Heating | | | | X | X | X |
| 22 | 5201-010 | Filter Drier | X | X | X | X | X | X |
| NS | 800-0410 | Orifice Assembly | X | X | X | X | X | X |
| NS | 5650-045 | 3-Way Valve | X | X | X | X | X | X |
| NS | 5651-146 | Check Valve | X | X | X | X | X | X |
| NS | 1804-0107 | Low Pressure Switch (Flare) ① | X | X | X | X | X | X |
| NS | CMH-19 | Low Ambient Control (Flare) ① | | | | X | X | X |
| NS | CMH-20 | Low Ambient Control (Flare) ① | X | X | X | | | |
| NS | 3000-1223 | Molded Compressor Plug Low Voltage | X | X | X | X | X | X |
| NS | 3000-1224 | Molded Compressor Plug | X | | | X | | |
| NS | 3000-1231 | Molded Compressor Plug | | X | X | | X | X |
| NS | 8000-013 | Sound Cover | X | X | X | X | X | X |
| NS | 8408-039 | Discharge Line Thermostat | X | X | X | X | X | X |
| NS | 8408-038 | Freeze Thermostat | X | X | X | X | X | X |

NS – Not Shown

① – Optional

CONTROL PANEL



SEXP-605

CONTROL PANEL

| Dwg. No. | Part Number | Description | T36S1-A | T36S1-B | T36S1-C | T42S1-A | T42S1-B | T42S1-C | T36S1DA | T36S1DB | T36S1DC | T42S1DA | T42S1DB | T42S1DC |
|----------|-------------|----------------------------------|---------|---------|---------|---------|---------|---------|---------|---------|---------|---------|---------|---------|
| 1 | 8607-031 | Low Voltage Terminal Strip | X | X | X | X | X | X | X | X | X | X | X | X |
| 2 | 8607-013 | Terminal Block 2 Pole | X | | | X | | | X | | | X | | |
| 2 | 8607-014 | Terminal Block 3 Pole | | X | X | | X | X | | X | X | | X | X |
| 2 | 8607-015 | Phenolic Insulator | | | X | | | X | | | X | | | X |
| 4 | 8407-035 | Transformer | X | X | | X | X | | | | | | | |
| 4 | 8407-042 | Transformer | | | X | | | X | | | | | | |
| 4 | 8407-048 | Transformer 240V | | | | | | X | X | | | X | X | |
| 4 | 8407-050 | Transformer 480V | | | | | | | | X | | | | X |
| 5 | 8401-002 | Compressor Contactor | | X | X | | X | X | | X | X | | X | X |
| 5 | 8401-016 | Compressor Contactor | X | | | X | | | X | | | X | | |
| 6 | 8552-005 | Outdoor Motor Capacitor | | X | | | X | | | X | | | X | |
| 6 | 8552-080 | Compressor Capacitor | X | | | X | | | X | | | X | | |
| 6 | 8552-026 | Outdoor Motor Capacitor | | | X | | | X | | | X | | | X |
| 7 | 135-130 | Wire Shield | X | X | X | X | X | X | X | X | X | X | X | X |
| 8 | 8611-006 | Ground Terminal | X | X | X | X | X | X | X | X | X | X | X | X |
| 9 | 3000-1324 | 6 Pin Connector | X | X | X | X | X | X | | | | | | |
| 9 | 3000-1344 | 6 Pin Connector | | | | | | | X | X | X | X | X | X |
| 10 | 8201-086 | Low Ambient Bypass Relay ① | X | X | X | X | X | X | X | X | X | X | X | X |
| 12 | 8620-223 | Defrost Board Replacement Kit | X | X | X | X | X | X | X | X | X | X | X | X |
| 13 | 117-289 | Control Panel (Sheet Metal Only) | X | X | X | X | X | X | X | X | X | X | X | X |
| 14 | 8551-004 | Start Device ① PTCR | X | | | X | | | X | | | X | | |
| 15 | 8408-037 | Return Air Thermostat | | | | | | | X | X | X | X | X | X |
| 16 | 117X139 | Low Voltage Box | X | X | X | X | X | X | X | X | X | X | X | X |
| 17 | 8201-126 | Phase Monitor | | X | X | | X | X | | X | X | | X | X |
| 18 | 8607-017 | Terminal Block ① | X | X | X | X | X | X | X | X | X | X | X | X |
| 20 | 8201-032 | Outdoor Fan Relay | | | X | | | X | | | X | | | X |
| 21 | 8201-113 | Dehumidification Logic Board | | | | | | | X | X | X | X | X | X |
| 22 | 8614-041 | Fuse Block | | | X | | | | | | X | | | |
| 23 | 8614-046 | Fuse | | | 2 | | | 2 | | | 2 | | | 2 |
| 24 | 3000-1221 | Blower Wire Harness Power | X | X | X | X | X | X | X | X | X | X | X | X |
| 25 | 3000-1390 | Blower Wire Harness Control | X | X | X | X | X | X | X | X | X | X | X | X |
| NS | 4096-160 | Wiring Diagram | X | | | X | | | | | | | | |
| NS | 4096-260 | Wiring Diagram | | X | | | X | | | | | | | |
| NS | 4096-360 | Wiring Diagram | | | X | | | X | | | | | | |
| NS | 4096-161 | Wiring Diagram | | | | | | | X | | | X | | |
| NS | 4096-261 | Wiring Diagram | | | | | | | | X | | | X | |
| NS | 4096-361 | Wiring Diagram | | | | | | | | | X | | | X |
| NS | 8615-055 | Circuit Breaker 40A 2 Pole (0Z) | X | | | X | | | X | | | | | |
| NS | 8615-052 | Circuit Breaker 35A 3 Pole (0Z) | | X | | | X | | | X | | | | |
| NS | 8615-041 | Circuit Breaker 60A 2 Pole (0Z) | | | | | | | | | | X | | |
| NS | 8615-043 | Circuit Breaker 40A 3 Pole (0Z) | | | | | | | | | | | X | |
| NS | S8615-068 | Rotary Disconnect (0Z) | | | X | | | X | | | X | | | X |
| NS | 8201-062 | Dehumidification Relay | | | | | | | X | X | X | X | X | X |

NS – Not Shown

① – Optional

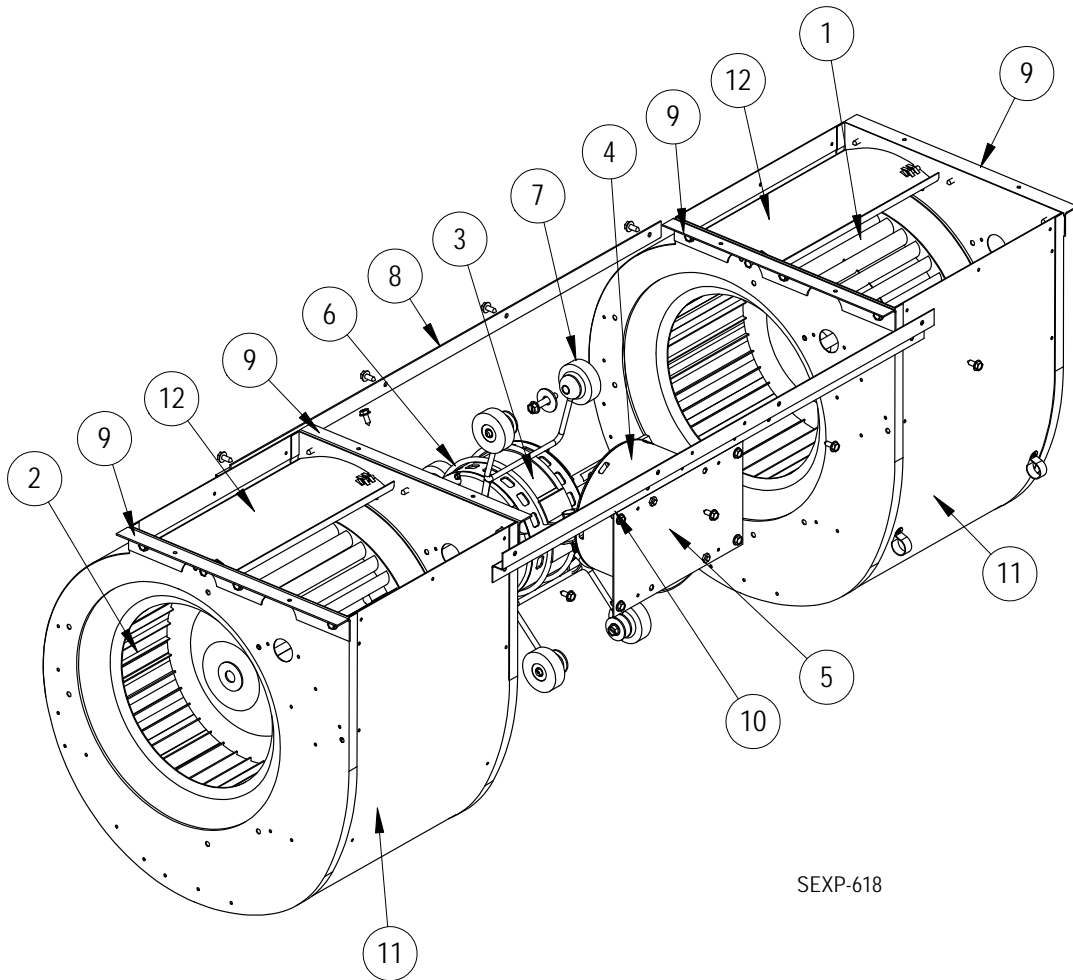
CONTROL PANEL

| Dwg. No. | Part Number | Description | T48S1-A | T48S1-B | T48S1-C | T60S1-A | T60S1-B | T60S1-C | T48S1DA | T48S1DB | T48S1DC | T60S1DA | T60S1DB | T60S1DC |
|----------|-------------|----------------------------------|---------|---------|---------|---------|---------|---------|---------|---------|---------|---------|---------|---------|
| 1 | 8607-031 | Low Voltage Terminal Strip | X | X | X | X | X | X | X | X | X | X | X | X |
| 2 | 8607-013 | Terminal Block 2 Pole | X | | | X | | | X | | | X | | |
| 2 | 8607-014 | Terminal Block 3 Pole | | X | X | | X | X | | X | X | | X | X |
| 2 | 8607-015 | Phenolic Insulator | | | X | | | X | | | X | | | X |
| 4 | 8407-035 | Transformer | X | X | | X | X | | | | | | | |
| 4 | 8407-042 | Transformer | | | X | | | X | | | | | | |
| 4 | 8407-048 | Transformer 240V | | | | | | | X | X | | X | X | |
| 4 | 8407-050 | Transformer 480V | | | | | | | | | X | | | X |
| 5 | 8401-002 | Compressor Contactor | | X | X | | X | X | | X | X | | X | X |
| 5 | 8401-016 | Compressor Contactor | X | | | | | | X | | | | | |
| 5 | 8401-025 | Compressor Contactor | | | | X | | | | | | X | | |
| 6 | 8552-005 | Outdoor Motor Capacitor | | X | | | | | | X | | | | |
| 6 | 8552-089 | Compressor Capacitor | X | | | | | | | | | | | |
| 6 | 8552-026 | Outdoor Motor Capacitor | | | X | | | | | | X | | | |
| 6 | 8552-088 | Compressor Capacitor | | | | X | | | | | | X | | |
| 7 | 135-130 | Wire Shield | X | X | X | X | X | X | X | X | X | X | X | X |
| 8 | 8611-006 | Ground Terminal | X | X | X | X | X | X | X | X | X | X | X | X |
| 9 | 3000-1324 | 6 Pin Connector | X | X | X | X | X | X | | | | | | |
| 9 | 3000-1344 | 6 Pin Connector | | | | | | | X | X | X | X | X | X |
| 10 | 8201-086 | Low Ambient Bypass Relay ① | X | X | X | X | X | X | X | X | X | X | X | X |
| 12 | 8620-223 | Defrost Board Replacement Kit | X | X | X | X | X | X | X | X | X | X | X | X |
| 13 | 117-309 | Control Panel (Sheet Metal Only) | X | X | X | X | X | X | X | X | X | X | X | X |
| 14 | 8551-004 | Start Device ① PTCR | X | | | X | | | X | | | X | | |
| 15 | 8408-037 | Return Air Thermostat | | | | | | | X | X | X | X | X | X |
| 16 | 117-312 | Low Voltage Box | X | X | X | X | X | X | X | X | X | X | X | X |
| 17 | 8201-126 | Phase Monitor | | X | X | | X | X | | X | X | | X | X |
| 18 | 8607-017 | Terminal Block ① | X | X | X | X | X | X | X | X | X | X | X | X |
| 20 | 8201-032 | Outdoor Fan Relay | | | X | | | X | | | | | | |
| 21 | 8201-113 | Dehumidification Logic Board | | | | | | | X | X | X | X | X | X |
| 22 | 8614-041 | Fuse Block | | | X | | | | | | X | | | |
| 23 | 8614-046 | Fuse | | | 2 | | | 2 | | | 2 | | | 2 |
| 23 | 8614-042 | Fuse | | | | | | | | | | | | 2 |
| 24 | 3000-1221 | Blower Wire Harness Power | X | X | X | X | X | X | X | X | X | X | X | X |
| 25 | 3000-1390 | Blower Wire Harness Control | X | X | X | X | X | X | X | X | X | X | X | X |
| NS | 4096-160 | Wiring Diagram | X | | | | | | | | | | | |
| NS | 4096-260 | Wiring Diagram | | X | | | | | | | | | | |
| NS | 4096-360 | Wiring Diagram | | | X | | | | | | | | | |
| NS | 4096-162 | Wiring Diagram | | | | X | | | | | | | | |
| NS | 4096-262 | Wiring Diagram | | | | | X | | | | | | | |
| NS | 4096-362 | Wiring Diagram | | | | | | X | | | | | | |
| NS | 4096-161 | Wiring Diagram | | | | | | | X | | | | | |
| NS | 4096-261 | Wiring Diagram | | | | | | | | X | | | | |
| NS | 4096-361 | Wiring Diagram | | | | | | | | | X | | | |
| NS | 4096-163 | Wiring Diagram | | | | | | | | | | X | | |
| NS | 4096-263 | Wiring Diagram | | | | | | | | | | | X | |
| NS | 4096-363 | Wiring Diagram | | | | | | | | | | | | X |
| NS | 8615-040 | Circuit Breaker 50A 2 Pole (0Z) | X | | | | | | X | | | | | |
| NS | 8615-041 | Circuit Breaker 60A 2 Pole (0Z) | | | | X | | | | | | X | | |
| NS | 8615-043 | Circuit Breaker 40A 3 Pole (0Z) | | X | | | X | | | X | | | X | |
| NS | S8615-068 | Rotary Disconnect (0Z) | | | X | | | X | | | X | | | X |
| NS | 8201-062 | Dehumidification Relay | | | | | | | X | X | X | X | X | X |

NS – Not Shown

① – Optional

BLOWER ASSEMBLY



SEXP-618

| Dwg. No. | Part Number | Description | S900-272-005 | S900-273-0014 | S900-273-0012 | S900-273-0013 |
|----------|----------------|-------------------------------|--------------|---------------|---------------|---------------|
| 1 | 5152-011 | 10-Inch Wheel (CW) | X | X | X | X |
| 2 | 5152-012 | 10-Inch Wheel (CCW) | X | X | X | X |
| 3 | S8106-052-0100 | 1/2 HP Programmed Motor | X | | | |
| 3 | S8107-017-0101 | 3/4 HP Programmed Motor | | X | | |
| 3 | S8107-017-0098 | 3/4 HP Programmed Motor | | | X | |
| 3 | S8107-017-0099 | 3/4 HP Programmed Motor | | | | X |
| 4 | C8106-052-0100 | Programmed Motor Control Only | X | | | |
| 4 | C8107-017-0101 | Programmed Motor Control Only | | X | | |
| 4 | C8107-017-0098 | Programmed Motor Control Only | | | X | |
| 4 | C8107-017-0099 | Programmed Motor Control Only | | | | X |
| 5 | 112-344 | Blower Motor Control Bracket | X | X | X | X |
| 6 | 8200-040 | Motor Mount | X | X | X | X |
| 7 | 5451-011 | Grommets | 6 | 6 | 6 | 6 |
| 8 | 105-881 | Back Brace | X | X | X | X |
| 9 | 105-880 | Side Angle | 4 | 4 | 4 | 4 |
| 10 | 103-389 | Front Brace | X | X | X | X |
| 11 | 151-101 | Housing | 2 | 2 | 2 | 2 |
| 12 | 144-166 | Diffuser | 2 | 2 | 2 | 2 |