
REPLACEMENT PARTS MANUAL

WALL MOUNTED PACKAGED HEAT PUMP

Models:

T30S1-A T30S1DA
T30S1-B T30S1DB
T30S1-C T30S1DC

General Notes

- Revised and/or additional pages may be issued from time to time.
- A complete and current manual consists of pages shown in the following contents section.

Important

- Contact the installing and/or local Bard distributor for all parts requirements. Be sure to have the complete model and serial number available from the unit rating plates.

Contents

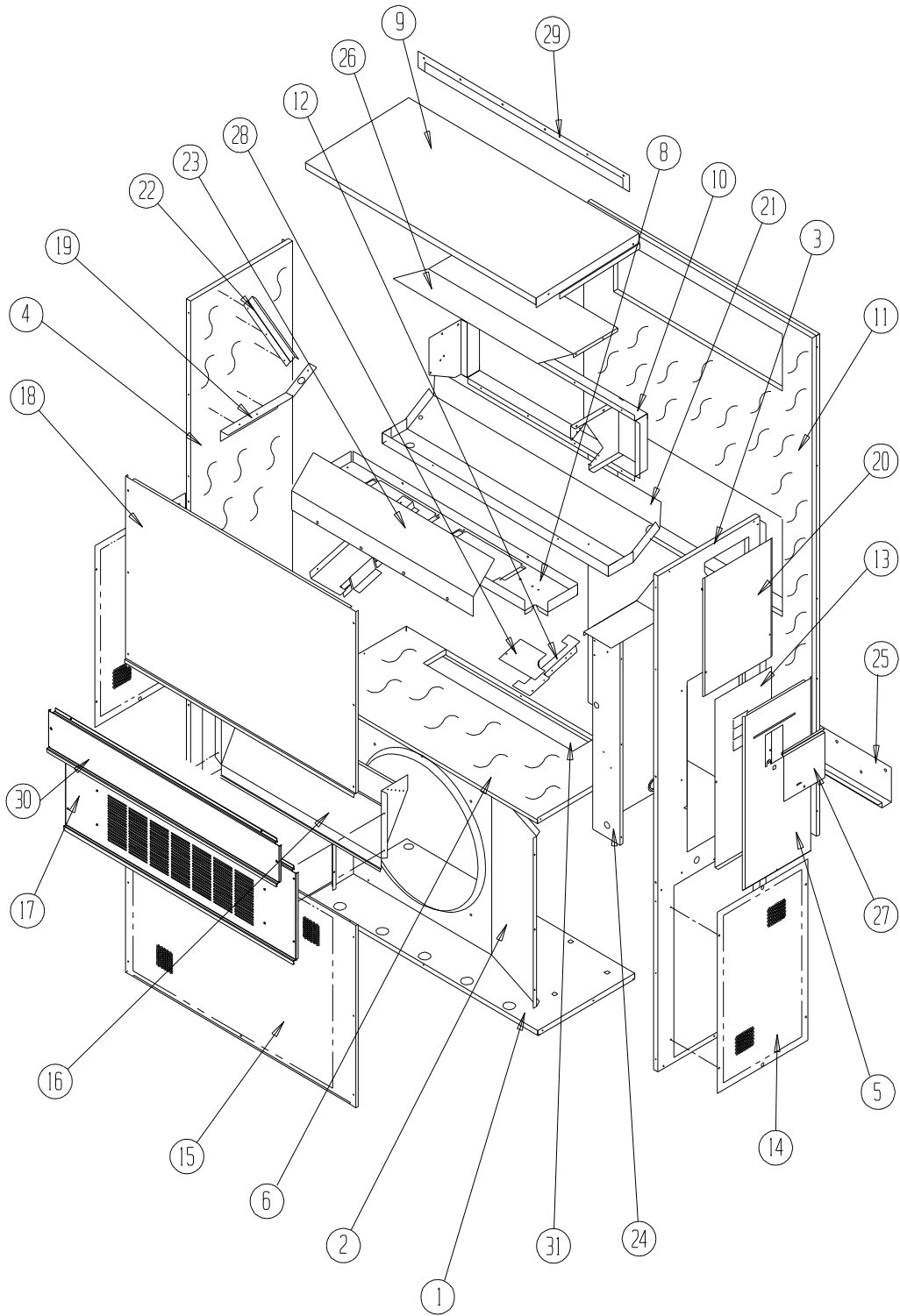
| <u>Description</u> | <u>Page</u> |
|------------------------------------|-------------|
| Cabinet Components | |
| ♦ Exploded View | 2 |
| ♦ Usage List | 3 |
| Functional Components | |
| ♦ Exploded View | 4 |
| ♦ Usage List | 5 |
| ♦ Usage List – Dehum. Models | 6 |
| Control Panel | |
| ♦ Layout View | 8 |
| ♦ Usage List | 9 |
| Control Panel – Dehum. Models | |
| ♦ Layout View | 10 |
| ♦ Usage List | 11 |
| Blower Assembly | |
| ♦ Exploded View | 12 |
| ♦ Usage List | 12 |



Bard Manufacturing Company, Inc.
Bryan, Ohio 43506
www.bardhvac.com

Manual: 2110-587K
Supersedes: 2110-587J
Date: 11-14-17

CABINET COMPONENTS



SEXP-514 A

CABINET COMPONENTS

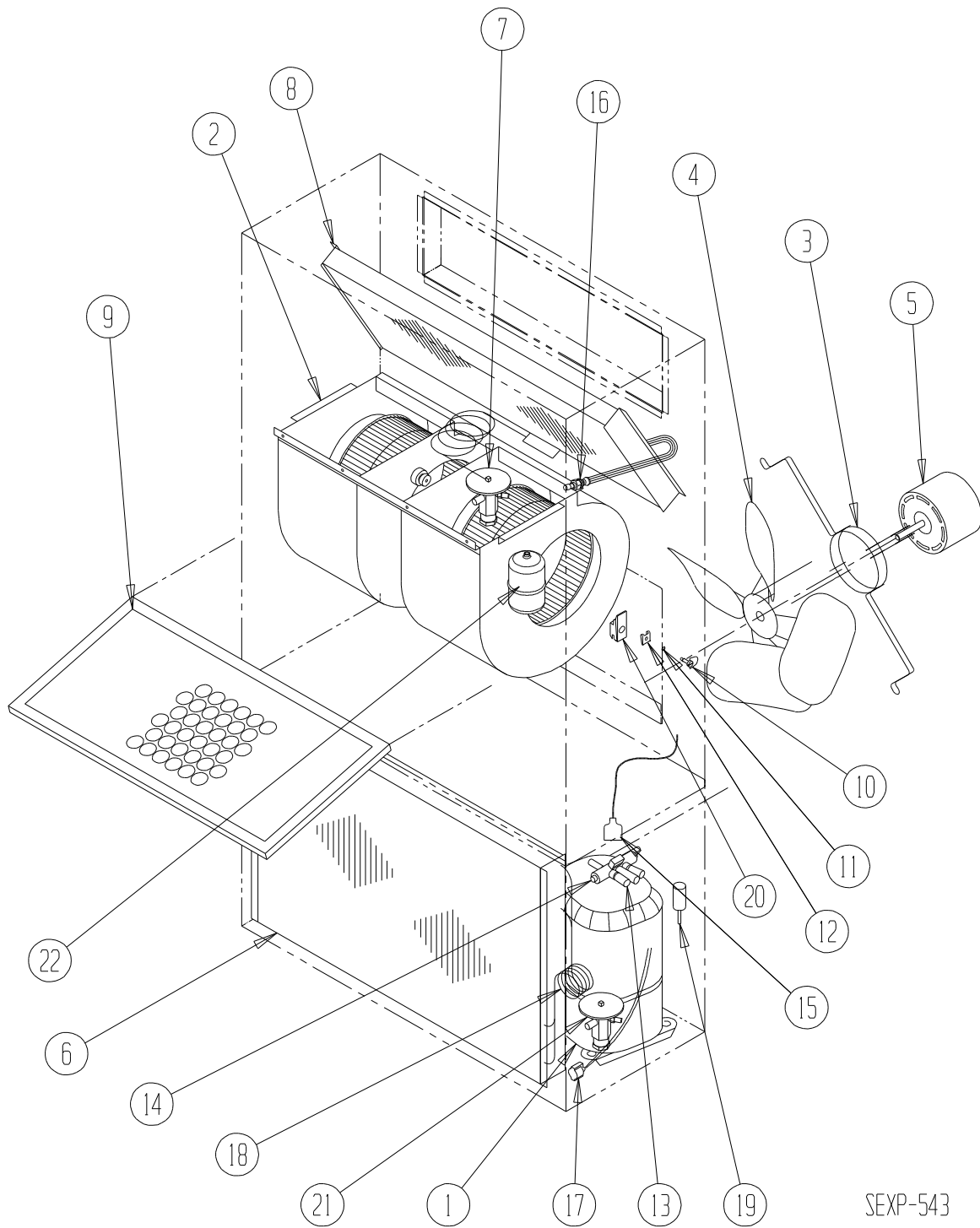
| Dwg. No. | Part Number | Description | T30S1-A, -B | T30S1-C | T30S1DA, DB | T30S1DC |
|----------|------------------------|--|-------------|---------|-------------|---------|
| 1 | S127-199 | Lower Base | X | X | X | X |
| 2 | 125-022 | Fan Shroud | X | X | X | X |
| 2 | 125-057 ③ | Fan Shroud | X | X | X | X |
| 3 | S500-228.* ① | Right Side | X | X | X | X |
| 3 | S500-441.* ② | Right Side | X | X | X | X |
| 3 | S500-527.* ③ | Right Side | X | X | X | X |
| 3 | S500-954.* ④ | Right Side | X | X | X | X |
| 4 | S500-229.* ① | Left Side | X | X | X | X |
| 4 | S500-442.* ② | Left Side | X | X | X | X |
| 4 | S500-528.* ③ | Left Side | X | X | X | X |
| 4 | S500-953.* ④ | Left Side | X | X | X | X |
| 5 | S533-109.* ① | Control Panel Cover (Outer) | X | X | X | X |
| 5 | S533-182.* ② | Control Panel Cover (Outer) | X | X | X | X |
| 5 | S533-197.* ③ | Control Panel Cover (Outer) | X | X | X | X |
| 6 | S521X384 | Condenser Partition | X | X | X | X |
| 6 | S521X531 ④ | Condenser Partition | X | X | X | X |
| 8 | 121X182 | Blower Partition | X | X | X | X |
| 9 | S506-277.* ① | Top | X | X | X | X |
| 9 | S506-245.* ② | Top | X | X | X | X |
| 9 | S506-275.* ③ | Top | X | X | X | X |
| 9 | S506-365.* ④ | Top | X | X | X | X |
| 10 | S111X030 | Outlet Air Frame Assembly | X | X | X | X |
| 11 | S508-088 | Back | X | X | X | X |
| 11 | S508-185 ② | Back | X | X | X | X |
| 11 | S508-222 ③ | Back | X | X | X | X |
| 11 | S508-357 ④ | Back | X | X | X | X |
| 12 | 113X195 | Filter Bracket | 2 | 2 | 2 | 2 |
| 13 | S132-104 | Control Panel Cover (Inner) | X | | X | |
| 13 | S132-208 | Control Panel Cover (Inner) | | X | | X |
| 14 | 118-056.* ① | Side Grille | 2 | 2 | 2 | 2 |
| 14 | 118-060.* ② | Side Grille | 2 | 2 | 2 | 2 |
| 14 | 118-067.* ③ | Side Grille | 2 | 2 | 2 | 2 |
| 15 | 118-059.* ① | Condenser Grille | X | X | X | X |
| 15 | 118-061.* ② | Condenser Grille | X | X | X | X |
| 15 | 118-066.* ③ | Condenser Grille | X | X | X | X |
| 16 | BFAD-3 | Fresh Air Damper Assembly | X | X | X | X |
| 17 | S552-444.* ① | Service Door | X | X | X | X |
| 17 | S552-446.* ② | Service Door | X | X | X | X |
| 17 | S552-458.* ③ | Service Door | X | X | X | X |
| 18 | S514-160.* ① | Upper Front | X | X | X | X |
| 18 | S514-161.* ② | Upper Front | X | X | X | X |
| 18 | S514-166.* ③ | Upper Front | X | X | X | X |
| 18 | S514-314.* ④ | Upper Front | X | X | X | X |
| 19 | 105X850 | Left Side Support | X | X | X | X |
| 20 | S143-034.* ① | Right Side Cover Plate (Outer) | X | X | X | X |
| 20 | S143-103.* ② | Right Side Cover Plate (Outer) | X | X | X | X |
| 20 | S143-127.* ③ | Right Side Cover Plate (Outer) | X | X | X | X |
| 21 | S123-127 | Drain Pan | X | X | X | X |
| 22 | 147-044 | Left Evaporator Support | X | X | X | X |
| 23 | 135-124 | Air Baffle Shield | X | X | X | X |
| 24 | Control Panel Assembly | See Control Panel Assembly Drawing and Parts List Assembly | X | X | X | X |
| 25 | 113-140 | Bottom Mounting Bracket | X | X | X | X |
| 26 | 135X123 | Heat Shield | X | X | X | X |
| 27 | S153-218.* ① | Disconnect Access Door | X | X | X | X |
| 27 | S153-387.* ② | Disconnect Access Door | X | X | X | X |
| 27 | S153-405.* ③ | Disconnect Access Door | X | X | X | X |
| 28 | 137-259 | Fill Plate | X | X | X | X |
| 29 | 113-149.* ① | Top Rain Flashing | X | X | X | X |
| 29 | 113-360.* ③ | Top Rain Flashing | X | X | X | X |
| 30 | S552-444.* ① | Filter Door Assembly | X | X | X | X |
| 30 | S552-447.* ② | Filter Door Assembly | X | X | X | X |
| 30 | S553-459.* ③ | Filter Door Assembly | X | X | X | X |
| 30 | S552-658.* ④ | Filter Door Assembly | X | X | X | X |
| 31 | S536-498.* ① | Condenser Part. Blank-Off Plate | X | X | X | X |
| 31 | S536-802.* ④ | Condenser Part. Blank-Off Plate | X | X | X | X |
| NS | 141-357 | Compressor Mounting Plate | X | X | X | X |

① Exterior cabinet parts are manufactured with various paint color options. To ensure the proper paint color is received, please reference the following codes:

Beige -X White -1 Buckeye Gray -4
Desert Brown -5 Dark Bronze -8

② Aluminum A ③ Stainless Steel S ④ Non Fiberglass Insulation Option NS = Not Shown

FUNCTIONAL COMPONENTS



SEXP-543

FUNCTIONAL COMPONENTS

| Dwg. No. | Part Number | Description | T30S1-A | T30S1-B | T30S1-C |
|----------|--------------|---|---------|---------|---------|
| 1 | 8000-388 | Compressor | X | | |
| 1 | 8000-389 | Compressor | | X | |
| 1 | 8000-390 | Compressor | | | X |
| 2 | S900-316-003 | Blower Assembly | X | X | X |
| 3 | 8200-001 | Fan Motor Mount | X | X | X |
| 4 | 5151-045 | Fan Blade | X | X | X |
| 5 | 8103-027 | Condenser Motor | X | X | |
| 5 | 8103-020 | Condenser Motor | | | X |
| 6 | 5051-112BX | Condenser Coil | X | X | X |
| 7 | 5651-231 | Cooling TXV | X | X | X |
| 8 | 5060-163BX | Evaporator Coil | X | X | X |
| 9 | 7004-019 | Air Filter 1" Throw-Away | X | X | X |
| 9 | 7004-062 | Air Filter 2" Pleated MERV 13 ① | X | X | X |
| 9 | 7004-048 | Air Filter 2" Pleated MERV 11 ① | X | X | X |
| 9 | 7004-030 | Air Filter 2" Pleated MERV 8 ① | X | X | X |
| 9 | 7004-026 | Air Filter 2" Pleated MERV 6 ① | X | X | X |
| 10 | 1171-022 | 1/4" Turn Fastener | X | X | X |
| 11 | 1171-024 | 1/4" Turn Retainer | X | X | X |
| 12 | 1171-023 | 1/4" Receptacle | X | X | X |
| 13 | 5650-039 | Reversing Valve with 24V Solenoid Coil | X | X | X |
| 14 | 5650-042 | Rev. Valve Solenoid, Red Casing (Ranco) | X | X | X |
| 14 | 5650-043 | Rev. Valve Solenoid, Black Casing (Wilspec) | X | X | X |
| 14 | 5650-046 | Rev. Valve Solenoid, Black Casing (San Hua) | X | X | X |
| 15 | 5650-037 | Molded Plug 36" Lead | X | X | X |
| 16 | 800-0392 | Cooling Distributor Assembly w/Orifice | X | X | X |
| 17 | 8620-224 | Defrost Sensor | X | X | X |
| 18 | 800-0403 | Heating Distributor | X | X | X |
| 19 | 1804-0385 | High Pressure Switch (Flare) ① | X | X | X |
| 21 | 5651-177 | Heating TXV | X | X | X |
| 22 | 5201-009 | Filter Drier (Bi-Direct) | X | X | X |
| NS | 1804-0107 | Low Pressure Switch (Flare) ① | X | X | X |
| NS | 8408-039 | Dishcharge Line Thermostat | X | X | X |
| NS | CMH-20 | Low Ambient Control (Flare) ① | X | X | X |
| NS | 3000-1276 | Molded Compressor Plug | X | | |
| NS | 3000-1223 | Molded Compressor Plug Low Voltage | X | X | X |
| NS | 8000-012 | Sound Cover | X | X | X |
| NS | 6031-009 | Coremax Valve Core | X | X | X |

NS – Not Shown

① – Optional

FUNCTIONAL COMPONENTS – DEHUM. MODELS

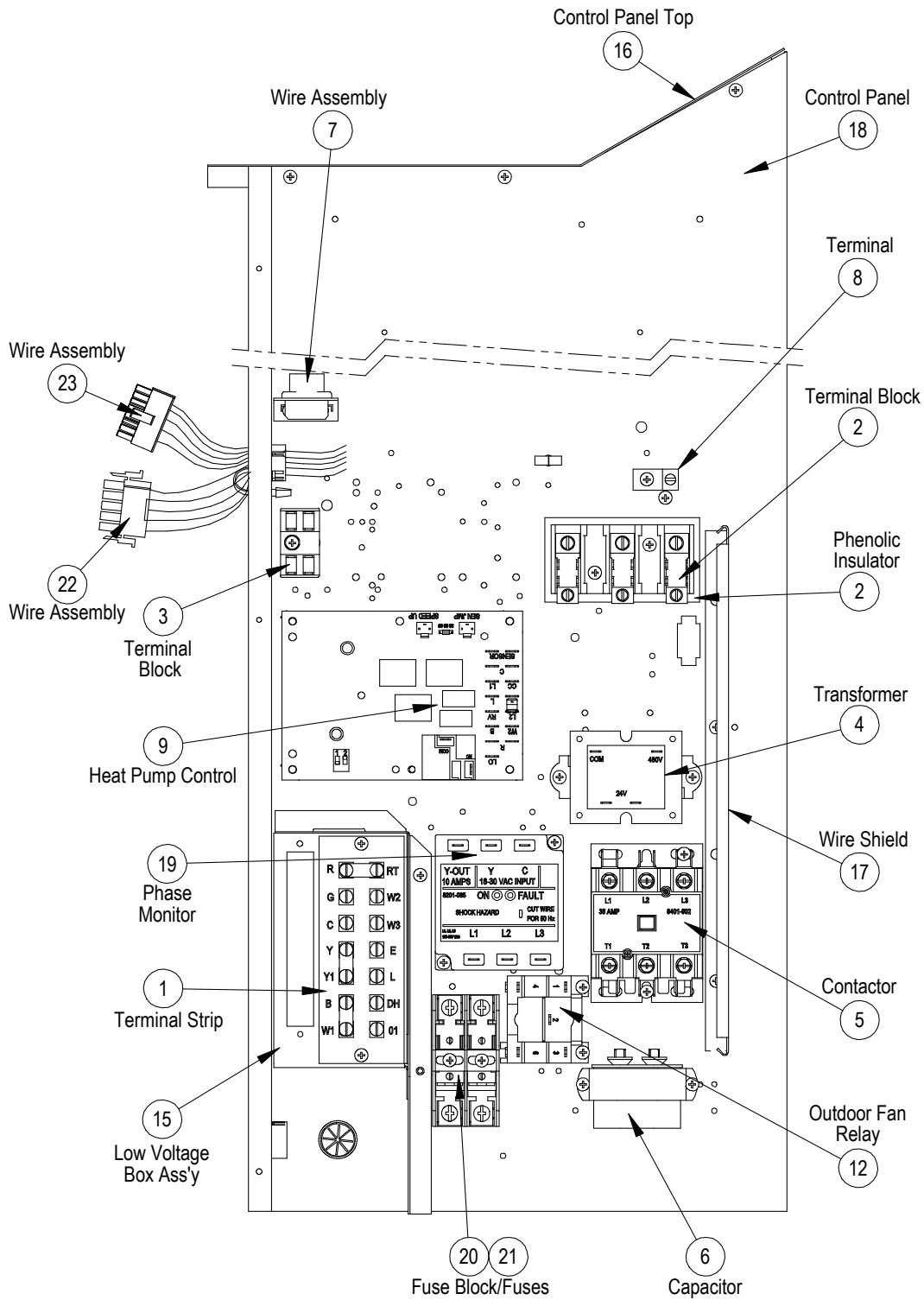
| Dwg. No. | Part Number | Description | T30S1DA | T30S1DB | T30S1DC |
|----------|--------------|---|---------|---------|---------|
| 1 | 8000-388 | Compressor | X | | |
| 1 | 8000-389 | Compressor | | X | |
| 1 | 8000-390 | Compressor | | | X |
| 2 | S900-316-003 | Blower Assembly | X | X | X |
| 3 | 8200-001 | Fan Motor Mount | X | X | X |
| 4 | 5151-045 | Fan Blade | X | X | X |
| 5 | 8103-027 | Condenser Motor | X | X | |
| 5 | 8103-020 | Condenser Motor | | | X |
| 6 | 5051-112BX | Condenser Coil | X | X | X |
| 7 | 5651-177 | Cooling TXV | X | X | X |
| 8 | 917-0184BX | Evaporator Coil Assembly | X | X | X |
| 9 | 7004-019 | Air Filter 1" Throw-Away | X | X | X |
| 9 | 7004-048 | Air Filter 2" Pleated MERV 11 ① | X | X | X |
| 9 | 7004-030 | Air Filter 2" Pleated MERV 8 ① | X | X | X |
| 9 | 7004-026 | Air Filter 2" Pleated MERV 6 ① | X | X | X |
| 10 | 1171-022 | 1/4" Turn Fastener | X | X | X |
| 11 | 1171-024 | 1/4" Turn Retainer | X | X | X |
| 12 | 1171-023 | 1/4" Receptacle | X | X | X |
| 13 | 5650-039 | Reversing Valve with 24V Solenoid Coil | X | X | X |
| 14 | 5650-042 | Rev. Valve Solenoid, Red Casing (Ranco) | X | X | X |
| 14 | 5650-043 | Rev. Valve Solenoid, Black Casing (Wilspec) | X | X | X |
| 14 | 5650-046 | Rev. Valve Solenoid, Black Casing (San Hua) | X | X | X |
| 15 | 5650-037 | Molded Plug 36" Lead | 2 | 2 | 2 |
| 16 | 800-0392 | Cooling Distributor | X | X | X |
| 17 | 8620-224 | Defrost Sensor | X | X | X |
| 18 | 800-0403 | Heating Distributor | X | X | X |
| 19 | 1804-0385 | High Pressure Switch (Flare) ① | X | X | X |
| 21 | 5651-177 | Heating TXV | X | X | X |
| 22 | 5201-009 | Filter Drier (Bi-Direct) | X | X | X |
| NS | 1804-0107 | Low Pressure Switch (Flare) ① | X | X | X |
| NS | 8408-038 | Freeze Stat | X | X | X |
| NS | 8408-039 | Discharge Line Thermostat | X | X | X |
| NS | CMH-20 | Low Ambient Control (Flare) ① | X | X | X |
| NS | 3000-1244 | Molded Compressor Plug | | X | X |
| NS | 3000-1276 | Molded Compressor Plug | X | | |
| NS | 5625-117 | Flow Control (Orifice) | X | X | X |
| NS | 5650-045 | 3-Way Valve with 24V Solenoid Coil | X | X | X |
| NS | 3000-1223 | Molded Compressor Plug Low Voltage | X | X | X |
| NS | 8000-012 | Sound Cover | X | X | X |
| NS | 6031-009 | Coremax Valve Core | X | X | X |

NS – Not Shown

① – Optional

This page intentionally left blank.

CONTROL PANEL



SEXP-603

CONTROL PANEL

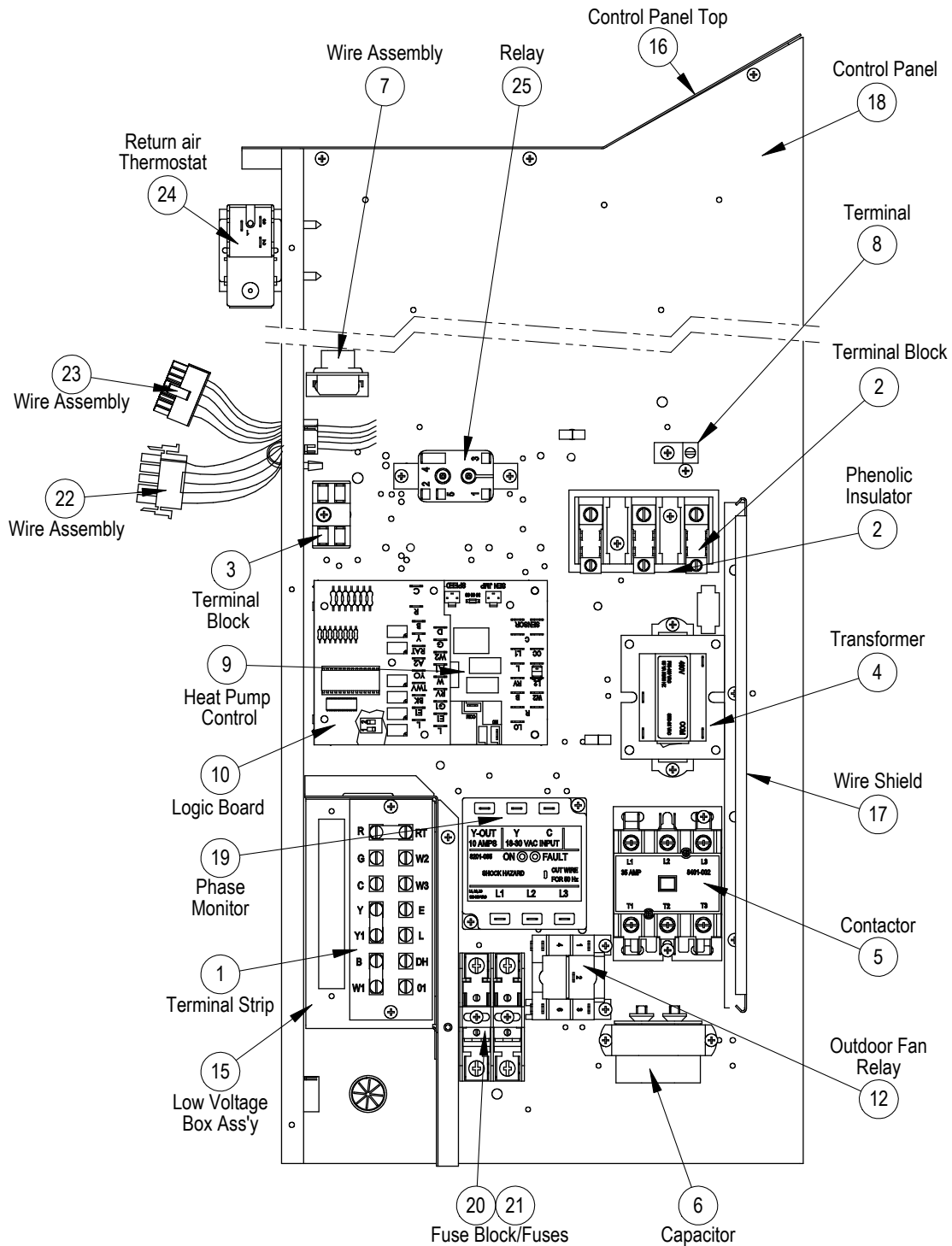
| Dwg. No. | Part Number | Description | T30S1-A | T30S1-B | T30S1-C |
|----------|-------------|-----------------------------------|---------|---------|---------|
| 1 | 8607-031 | Low Voltage Terminal Strip | X | X | X |
| 2 | 8607-013 | Terminal Block 2 Pole | X | | |
| 2 | 8607-014 | Terminal Block 3 Pole | | X | X |
| 2 | 8607-015 | Phenolic Insulator | | | X |
| 3 | 8607-017 | Terminal Block | | | X |
| 4 | 8407-035 | Transformer | X | X | |
| 4 | 8407-042 | Transformer | | | X |
| 5 | 8401-006 | Compressor Contactor | X | | |
| 5 | 8401-002 | Compressor Contactor | | X | X |
| 6 | 8552-050 | Compressor Capacitor | X | | |
| 6 | 8552-002 | Outdoor Motor Capacitor | | X | X |
| 7 | 3000-1379 | 6 Pin Connector | X | X | X |
| 8 | 8611-006 | Ground Terminal | X | X | X |
| 9 | 8620-223 | Heat Pump Control Board w/LPB | X | X | X |
| 12 | 8201-032 | Outdoor Fan Relay | | | X |
| 15 | S117X138 | Low Voltage Box | X | X | X |
| 16 | 117X137 | Control Panel Top | X | X | X |
| 17 | 135-122 | Wire Shield | X | X | X |
| 18 | 117X123 | Control Panel | X | X | X |
| 19 | 8201-126 | Phase Monitor | | X | X |
| 20 | 8614-041 | Fuse Block | | | X |
| 21 | 8614-046 | Fuse | | | 2 |
| 22 | 3000-1356 | Blower Power Harness | X | X | X |
| 23 | 3000-1378 | Blower Control Harness | X | X | X |
| NS | 8551-004 | Start Device ① (PTCR) | X | | |
| NS | 8201-086 | LAC Bypass Relay ① | X | X | X |
| NS | 4096-154 | Wiring Diagram | X | | |
| NS | 4096-254 | Wiring Diagram | | X | |
| NS | 4096-355 | Wiring Diagram | | | X |
| NS | 8615-038 | Circuit Breaker 35A 2 Pole (OZ) ② | X | | |
| NS | 8615-054 | Circuit Breaker 20A 3 Pole (OZ) ② | | X | |
| NS | 8615-051 | Circuit Breaker 25A 3 Pole (OZ) ② | | | X |
| NS | S8615-068 | Rotary Disconnect (OZ) ② | | | X |

① Optional on these models.

② Circuit breakers listed are for units without electric heat "OZ" models. Hot gas bypass models not available without electric heat. See Heater Replacement Parts Manual for units with electric heat.

NS = Not shown

CONTROL PANEL – DEHUM. MODELS



SEXP-635

CONTROL PANEL – DEHUM. MODELS

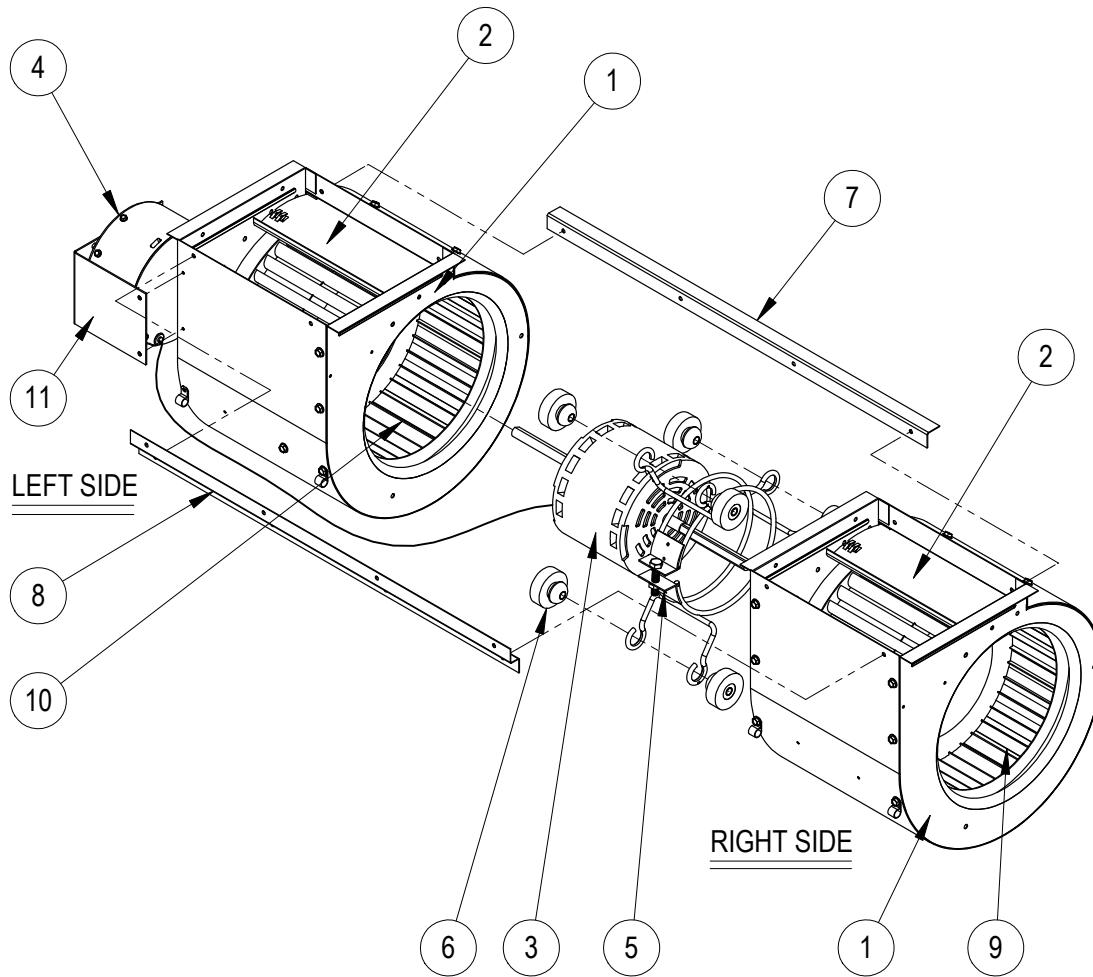
| Dwg. No. | Part Number | Description | T30S1DA | T30S1DB | T30S1DC |
|----------|-------------|-----------------------------------|---------|---------|---------|
| 1 | 8607-031 | Low Voltage Terminal Strip | X | X | X |
| 2 | 8607-013 | Terminal Block 2 Pole | X | | |
| 2 | 8607-014 | Terminal Block 3 Pole | | X | X |
| 2 | 8607-015 | Phenolic Insulator | | | X |
| 3 | 8607-017 | Terminal Block | X | X | X |
| 4 | 8407-065 | Transformer | X | X | |
| 4 | 8407-050 | Transformer | | | X |
| 5 | 8401-006 | Compressor Contactor | X | | |
| 5 | 8401-002 | Compressor Contactor | | X | X |
| 6 | 8552-050 | Compressor Capacitor | X | | |
| 6 | 8552-002 | Outdoor Motor Capacitor | | X | X |
| 7 | 3000-1377 | 6 Pin Connector | X | X | X |
| 8 | 8611-006 | Ground Terminal | X | X | X |
| 9 | 8620-223 | Heat Pump Control Board w/LPB | X | X | X |
| 10 | 8201-113 | Dehumidification Logic Board | X | X | X |
| 12 | 8201-032 | Outdoor Fan Relay | | | X |
| 15 | S117X138 | Low Voltage Box | X | X | X |
| 16 | 117X137 | Control Panel Top | X | X | X |
| 17 | 135-122 | Wire Shield | X | X | X |
| 18 | 117X123 | Control Panel | X | X | X |
| 19 | 8201-126 | Phase Monitor | | X | X |
| 20 | 8614-041 | Fuse Block | | | X |
| 21 | 8614-046 | Fuse | | | 2 |
| 22 | 3000-1356 | Blower Power Harness | X | X | X |
| 23 | 3000-1378 | Blower Control Harness | X | X | X |
| 24 | 8408-037 | Return Air Thermostat | X | X | X |
| 25 | 8201-062 | Relay | X | X | X |
| NS | 8551-004 | Start Device ① (PTCR) | X | | |
| NS | 4096-155 | Wiring Diagram | X | | |
| NS | 4096-255 | Wiring Diagram | | X | |
| NS | 4096-356 | Wiring Diagram | | | X |
| NS | 8615-038 | Circuit Breaker 35A 2 Pole (OZ) ② | X | | |
| NS | 8615-054 | Circuit Breaker 20A 3 Pole (OZ) ② | | X | |
| NS | 8615-051 | Circuit Breaker 25A 3 Pole (OZ) ② | | | X |
| NS | S8615-068 | Rotary Disconnect (OZ) ② | | | X |

① Optional on these models.

② Circuit breakers listed are for units without electric heat "OZ" models. Hot gas bypass models not available without electric heat. See Heater Replacement Parts Manual for units with electric heat.

NS = Not shown

BLOWER ASSEMBLY



SEXP-583 A

S900-316-003

| Dwg. No. | Part Number | Description | |
|----------|-----------------|--|---|
| 1 | 151-111 | Blower Housing | 2 |
| 2 | 144-174 | Diffuser | 2 |
| 3 | S8105-060-0108A | Blower Motor 1/3 HP ECM Motor w/Programmed Control | X |
| 4 | C8105-060-0108A | Programmed Motor Control Only | X |
| 5 | 8200-031 | Motor Mount | X |
| 6 | 5451-011 | Grommets | 6 |
| 7 | 105-870 | Back Brace | X |
| 8 | 103-401 | Front Brace | X |
| 9 | 5152-090 | Blower Wheel | X |
| 10 | 5152-091 | Blower Wheel | X |
| 11 | 113-637 | Blower Motor Control Bracket | X |