

---

# REPLACEMENT PARTS MANUAL

---

## Q-TEC™ Series Packaged Heat Pump

Models:

QW2S2-A    QW3S2-A    QW4S2-A    QW5S2-A  
QW2S2-B    QW3S2-B    QW4S2-B    QW5S2-B  
QW2S2-C    QW3S2-C    QW4S2-C    QW5S2-C

---

### Contents

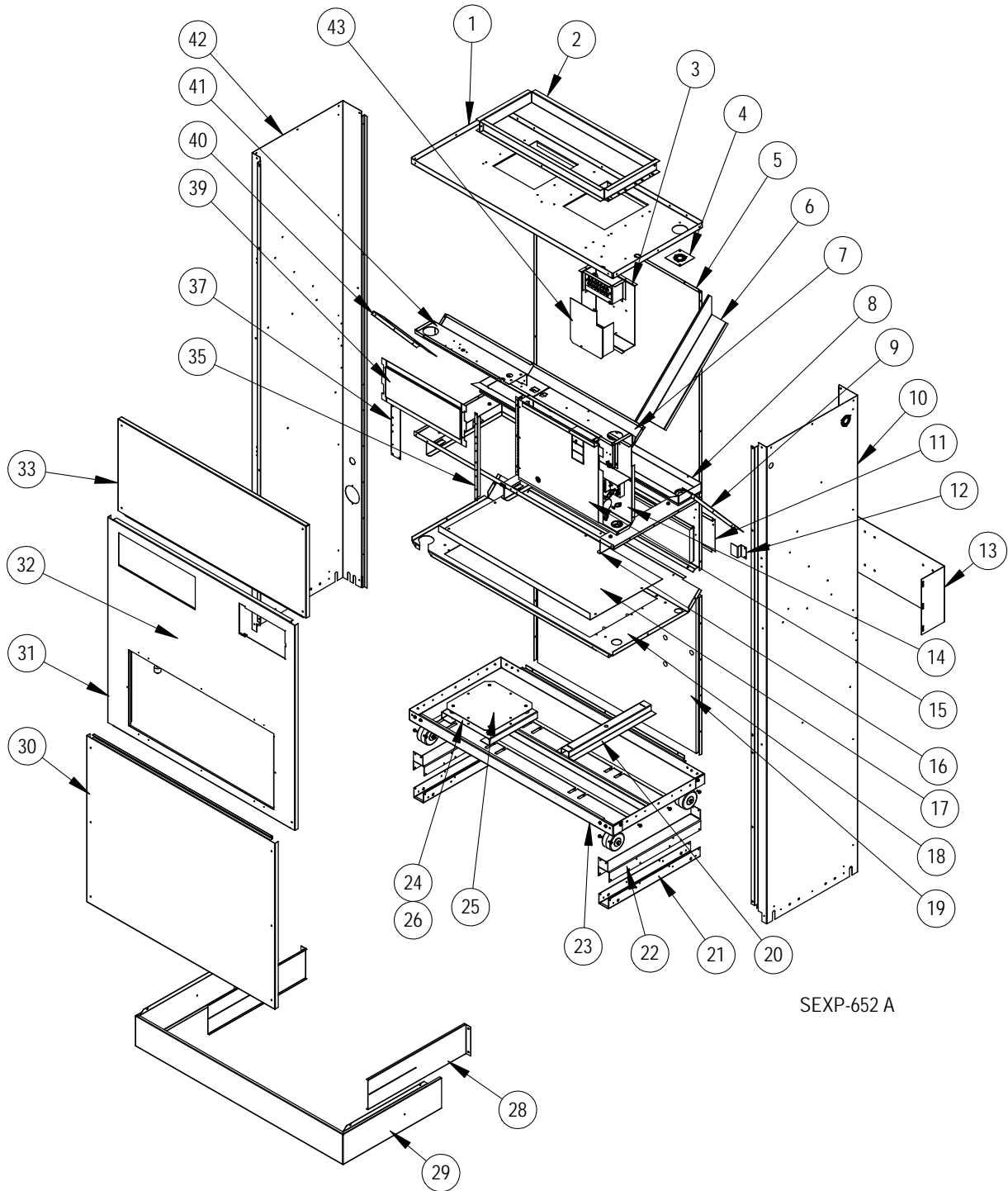
Description	Page	Description	Page
Cabinet Components		◆ Exploded View – Option C.....	18
◆ Exploded View.....	2	◆ Usage List.....	19
◆ Usage List.....	3	◆ Exploded View – Option L.....	20
Functional Components		◆ Usage List.....	21
◆ Exploded View.....	4	◆ Exploded View – Options 1-4.....	22
◆ Usage List.....	5	◆ Usage List.....	23
◆ Usage List.....	6	Wall Sleeve Cabinet Components	
Control Panel		◆ Exploded View.....	24
◆ Exploded View – A & B Voltages.....	8	◆ Usage List.....	25
◆ Usage List.....	9		
◆ Exploded View – C Voltage.....	10	<b>General Notes</b>	
◆ Usage List.....	11	➤ Revised and/or additional pages may be issued from time to time.	
Blower Assembly Components		➤ A complete and current manual consists of pages shown in the following contents section.	
◆ Exploded View.....	12		
◆ Usage List.....	13	<b>Important</b>	
Optional Climate Controls		➤ Contact the installing and/or local Bard distributor for all parts requirements. Make sure to have the complete model and serial number available from the unit rating plates.	
◆ Exploded View – All Units.....	14		
◆ Usage List.....	15		
◆ Exploded View – Option S.....	16		
◆ Usage List.....	17		



Bard Manufacturing Company, Inc.  
Bryan, Ohio 43506  
www.bardhvac.com

Manual: 2110-588M  
Supersedes: 2110-588L  
Date: 9-22-21

# CABINET COMPONENTS



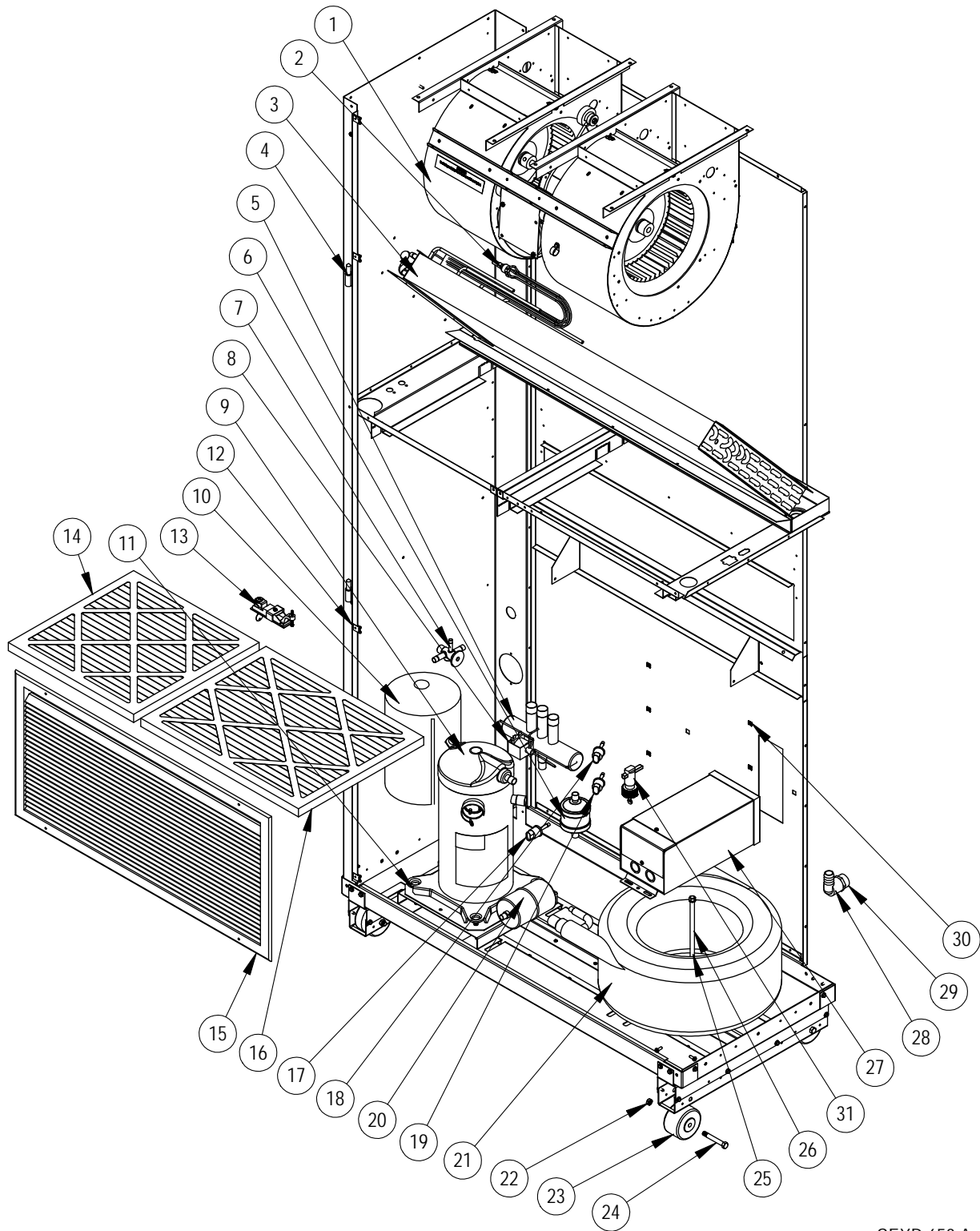
SEXP-652 A

# CABINET COMPONENTS

Drawing No.	Part No.	Description	QW2S2-A, -B, -C	QW4S2-A, -B, -C
			QW3S2-A, -B, -C	QW5S2-A, -B, -C
1	S507-279	Top Assembly	X	
1	S507-278	Top Assembly		X
2	111-142	Outlet Duct Flange	2	
2	111-138	Outlet Duct Flange		2
3	117-285	Low Voltage Box Assembly	X	X
4	136-359	T.K.O. Plate	X	X
5	509-231	Back Assembly	X	
5	509-230	Back Assembly		X
6	134-154	Wire Channel	X	X
7	534-191	Evaporator Coil Shield - Right	X	
7	534-195	Evaporator Coil Shield - Right		X
8	523-104	Evaporator Drain Pan Assembly	X	
8	523-105	Evaporator Drain Pan Assembly		X
9	140X277	Right Evaporator Support	X	X
10	501-557-*	Ride Side Assembly	X	X
11	542-054	Fresh Air Blank-Off Plate Assembly	X	X
12	103-443	Door Latch Offset	X	X
13	113-289	Wall Mounting Bracket	2	2
14	See Pages 7 & 9	Control Panel Components	X	X
15	S132-165	Circuit Breaker Door Inner (230V Models)	X	X
15	S132-351	Disconnect Door (460V Models)	X	X
16	919-0011	Filter Partition Assembly	X	
16	919-0012	Filter Partition Assembly		X
17	537-584	Condenser Blank-Off Plate	X	X
18	521-442	Condenser Partition Assembly	X	
18	521-439	Condenser Partition Assembly		X
19	509-233	Lower Back with Cage Nuts	X	
19	509-223	Lower Back with Cage Nuts		X
20	140-026	Water Coil Hold Down (230V Models)	X	X
20	140-278	Water Coil Hold Down (460V Models)	X	X
21	140-276	Lower Roller Support	2	2
22	140-280	Upper Roller Support	2	2
23	S127-384-X	Lower Base Assembly	X	
23	S127-379-X	Lower Base Assembly		X
24	141-368	Compressor Support	X	X
25	140-369	Compressor Support Plate	X	X
26	5451-018	Motor Mount Grommet	X	X
28	135-258-6	Base Trim Extension	2	2
29	535-253-6	Base Trim Assembly with Extension	X	
29	535-259-6	Base Trim Assembly with Extension		X
30	552-332-*	Condenser Door Assembly	X	
30	553-470-*	Condenser Door Assembly		X
31	553-468-*	Filter Door Assembly w/Circuit Breaker Door	X	
31	553-469-*	Filter Door Assembly w/Circuit Breaker Door		X
31	553-516-*	(with C & S Control Option)	X	
31	553-517-*	(with C & S Control Option)		X
31	553-572-*	(with "L" Control Option)	X	
31	553-573-*	(with "L" Control Option)		X
32	153-336-*	Circuit Breaker Door	X	X
33	S552-331-*	Blower Door Assembly	X	
33	S552-333-*	Blower Door Assembly		X
35	104-1096	Right Thermostat Support Angle	X	X
37	104-1157	Left Thermostat Support Angle	X	X
39	See Page 13	Thermostat Mounting Plate	X	X
40	140Y277	Left Evaporator Support	X	X
41	534-190	Left Evaporator Coil Shield	X	X
42	501-573-*	Left Side Assembly	X	X
43	133-201	Low Voltage Box Cover	X	X

\* Exterior cabinet parts are manufactured with various paint color options. To ensure the proper paint color is received, reference the following codes: Beige -X, Buckeye Gray -4, Vinyl/Slate Finish -6, Vinyl/Platinum Finish -7

# FUNCTIONAL COMPONENTS



SEXP-653 A

This drawing to be used for reference for pages 5 and 6

# FUNCTIONAL COMPONENTS

Drawing No.	Part No.	Description	QW2S2-A	QW2S2-B	QW2S2-C	QW3S2-A	QW3S2-B	QW3S2-C	QW4S2-A	QW4S2-B	QW4S2-C	QW5S2-A	QW5S2-B	QW5S2-C
1	S900-301-002	Blower Assembly	X	X	X									
1	S900-299-002	Blower Assembly				X	X	X						
1	S900-300-003	Blower Assembly							X	X	X			
1	S900-300-004	Blower Assembly										X	X	X
2	5625-007	Distributor Cooling	X	X	X	X	X	X						
2	5625-008	Distributor Cooling							X	X	X			
2	5625-010	Distributor Cooling										X	X	X
3	5060-118BX	Evaporator Coil	X	X	X	X	X	X						
3	5060-150BX	Evaporator Coil							X	X	X			
3	5060-119BX	Evaporator Coil										X	X	X
4	5400-005	Hinge	2	2	2	2	2	2	2	2	2	2	2	2
5	5650-038	Reversing Valve with 24V Solenoid Coil	X	X	X									
5	5650-039	Reversing Valve with 24V Solenoid Coil				X	X	X						
5	5650-040	Reversing Valve with 24V Solenoid Coil							X	X	X	X	X	X
6	5220-013	Discharge Muffler	X	X	X	X	X	X	X	X	X	X	X	X
7	5651-206	TXV	X	X	X									
7	5651-202	TXV				X	X	X						
7	5651-203	TXV							X	X	X			
7	5651-204	TXV										X	X	X
8	5650-042	Reversing Valve Solenoid, Red Casing (Ranco)	X	X	X	X	X	X	X	X	X	X	X	X
8	5650-043	Reversing Valve Solenoid, Black Casing (Wilspec)	X	X	X	X	X	X	X	X	X	X	X	X
8	5650-046	Reversing Valve Solenoid, Black Casing (San Hua)	X	X	X	X	X	X	X	X	X	X	X	X
9	8000-394	Compressor	X											
9	8000-396	Compressor		X										
9	8000-398	Compressor			X									
9	8000-379	Compressor				X								
9	8000-380	Compressor					X							
9	8000-381	Compressor						X						
9	8000-382	Compressor							X					
9	8000-383	Compressor								X				
9	8000-384	Compressor									X			
9	8000-385	Compressor										X		
9	8000-386	Compressor											X	
9	8000-387	Compressor												X
10	8002-012	Sound Cover	X	X	X	X	X	X						
10	8002-013	Sound Cover							X	X	X	X	X	X
11	5451-018	Compressor Secondary Grommet	X	X	X	X	X	X	X	X	X	X	X	X
12	1012-315	"U" Clip Fastener	8	8	8	8	8	8	8	8	8	8	8	8
13	1171-049	Keylatch/Circuit Breaker Door	X	X	X	X	X	X	X	X	X	X	X	X
14	7004-034	Air Filter 16 x 16 x 2 MERV 8	X	X	X	X	X	X	X	X	X	X	X	X
14	7004-069	Air Filter 16 x 16 x 2 MERV 13	X	X	X	X	X	X	X	X	X	X	X	X
15	7051-034	Return Air Grille (for Beige & Buckeye Gray Units)	X	X	X	X	X	X						
15	7051-061	Return Air Grille (for Vinyl Units)	X	X	X	X	X	X						
15	7051-039	Return Air Grille (for Beige & Buckeye Gray Units)							X	X	X	X	X	X
15	7051-063	Return Air Grille (for Vinyl Units)							X	X	X	X	X	X
16	7004-035	Air Filter 16 x 20 x 2 MERV 8	X	X	X	X	X	X						
16	7004-070	Air Filter 16 x 20 x 2 MERV 13	X	X	X	X	X	X						
16	7004-025	Air Filter 16 x 25 x 2 MERV 8							X	X	X	X	X	X
16	7004-061	Air Filter 16 x 25 x 2 MERV 13							X	X	X	X	X	X

Continued on page 6

# FUNCTIONAL COMPONENTS

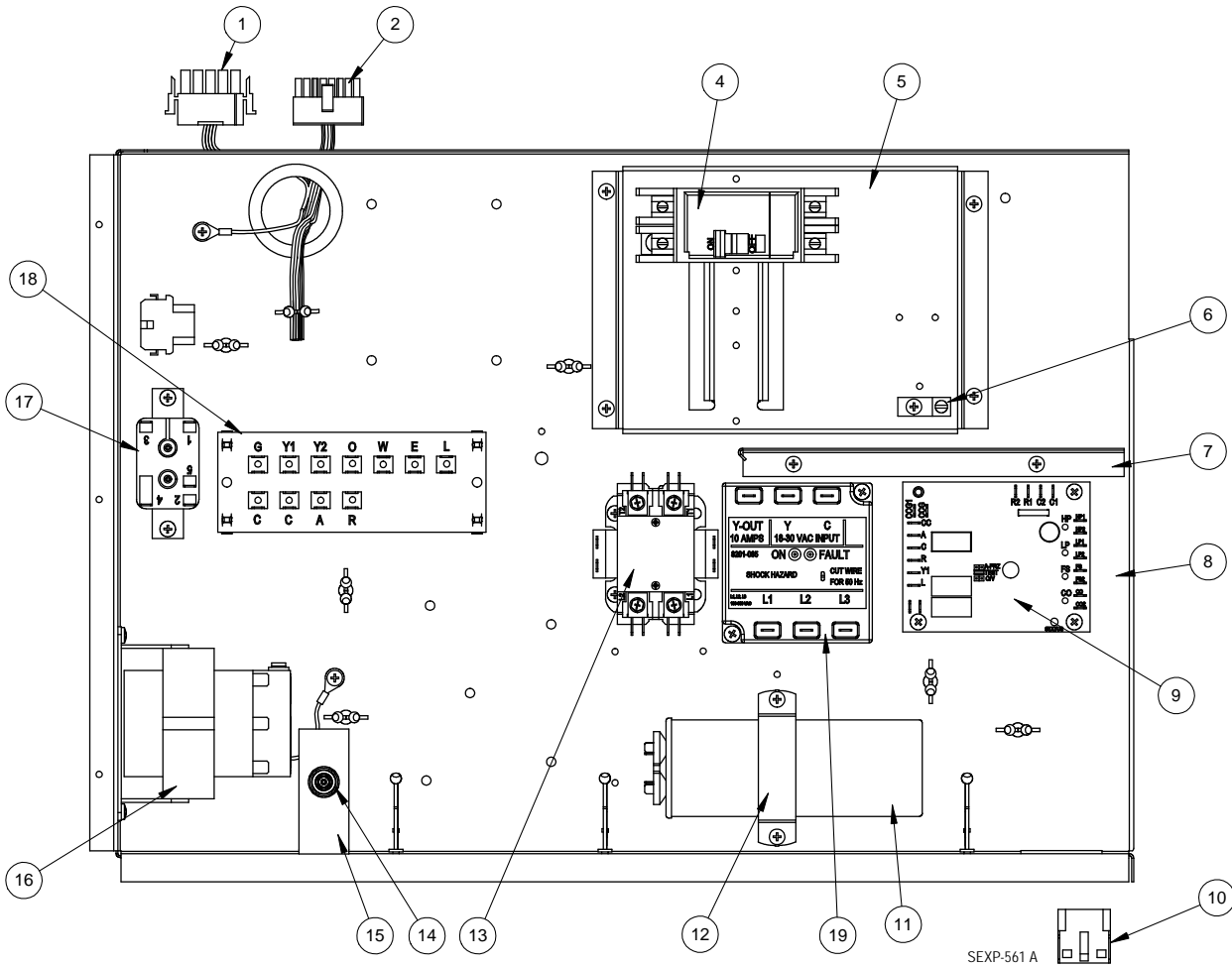
Drawing No.	Part No.	Description	QW2S2-A	QW2S2-B	QW2S2-C	QW3S2-A	QW3S2-B	QW3S2-C	QW4S2-A	QW4S2-B	QW4S2-C	QW5S2-A	QW5S2-B	QW5S2-C
<i>Continued from page 5</i>														
17	1804-0327	High Pressure Switch	X	X	X	X	X	X	X	X	X	X	X	X
18	1804-0496	Low Pressure Switch 75 PSIG	X	X	X	X	X	X	X	X	X	X	X	X
19	1804-0499	Low Pressure Switch 55 PSIG	X	X	X	X	X	X	X	X	X	X	X	X
20	5201-019	Filter / Drier	X	X	X	X	X	X						
20	5201-020	Filter / Drier							X	X	X	X	X	X
21	S917-0148	Water Coil Assembly	X	X	X	X	X	X						
21	S917-0149	Water Coil Assembly (Optional Cupronickel Coil)	X	X	X	X	X	X						
21	S917-0150	Water Coil Assembly							X	X	X			
21	S917-0151	Water Coil Assembly (Optional Cupronickel Coil)							X	X	X			
21	S917-0152	Water Coil Assembly										X	X	X
21	S917-0153	Water Coil Assembly (Optional Cupronickel Coil)										X	X	X
22	1012-224	Nut - Locking	4	4	4	4	4	4	4	4	4	4	4	4
23	1171-035	Wheel	4	4	4	4	4	4	4	4	4	4	4	4
24	1012-129	Bolt - Shoulder	4	4	4	4	4	4	4	4	4	4	4	4
25	1012-226	Cage Nut	X	X	X	X	X	X	X	X	X	X	X	X
26	1012-167	3/8 x 7-1/2 Hex Head Bolt	X	X	X	X	X	X						
26	1012-168	3/8 x 9 Hex Head Bolt							X	X	X			
26	1012-169	3/8 x 10 Hex Head Bolt										X	X	X
27	8407-058	Stepdown Transformer 1.0 KVA	X	X	X	X	X	X	X	X	X			
27	8407-003	Stepdown Transformer 1.5 KVA (Units w/ERV)	X	X	X	X	X	X						
27	8407-004	Stepdown Transformer 2.0 KVA (Units w/ERV)							X	X	X	X	X	X
27	8407-003	Stepdown Transformer 1.5 KVA										X	X	X
28	6094-007	Barbed Drain Fitting	X	X	X	X	X	X	X	X	X	X	X	X
29	6093-011	3/4 Male Adapter	X	X	X	X	X	X	X	X	X	X	X	X
30	1012-218	1/4 Cage Nut	6	6	6	6	6	6	6	6	6	6	6	6
31	910-1931	Flow Switch Assembly	X	X	X	X	X	X	X	X	X	X	X	X
NS	4113-102	Unit Wiring Diagram	X			X			X			X		
NS	4113-200	Unit Wiring Diagram		X			X			X			X	
NS	4113-300	Unit Wiring Diagram			X			X			X			X
NS	6031-009	Coremax Valve Core	X	X	X	X	X	X	X	X	X	X	X	X

NS – Not Shown

**Refer to drawing on page 4**

*This page intentionally left blank*

# CONTROL PANEL - A (230V/208V/1) & B (230V/208V/3) VOLTAGES

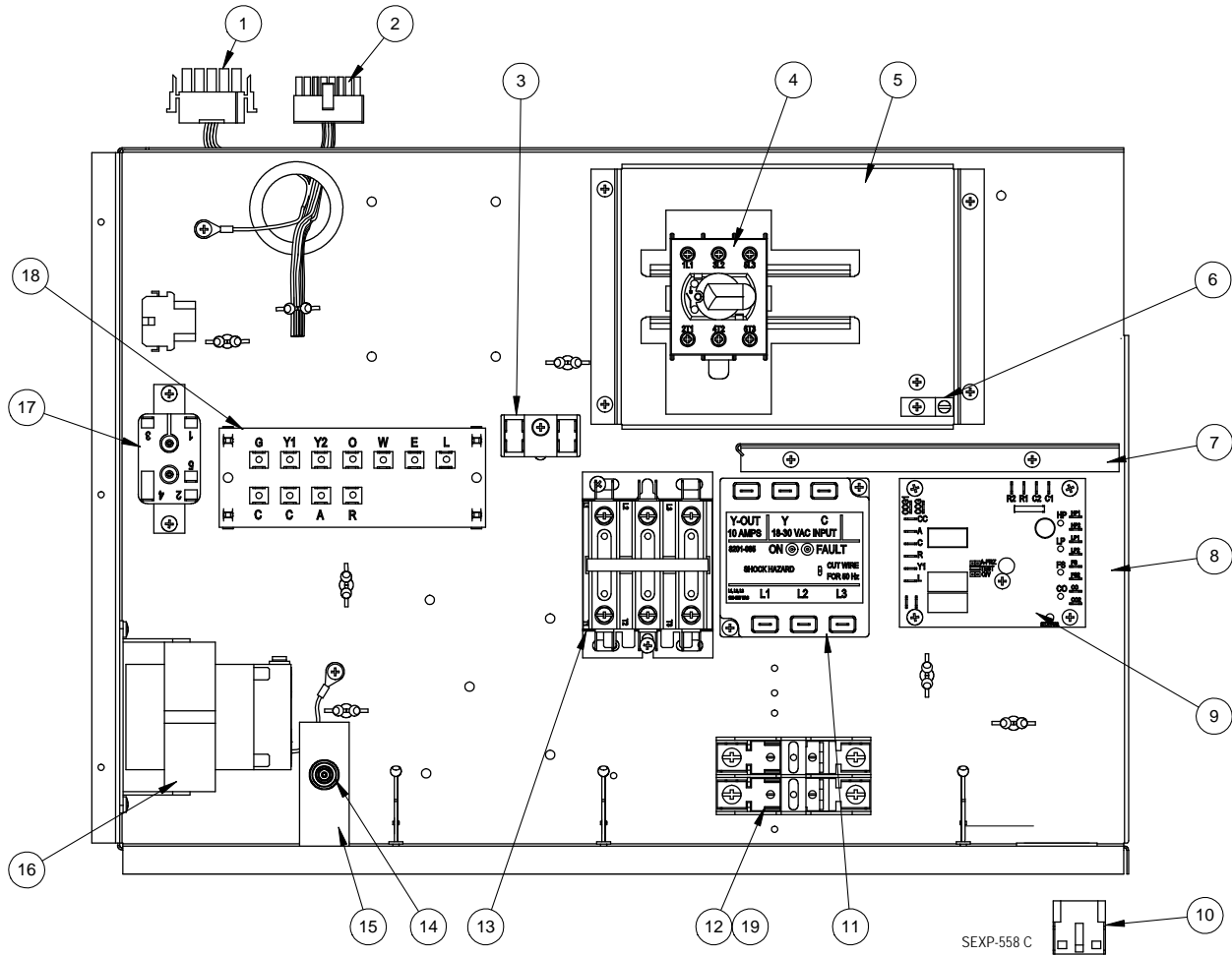




## CONTROL PANEL – A (230V/208V/1) & B (230V/208V/3) VOLTAGES

Drawing No.	Part No.	Description	QW2S2-A	QW2S2-B	QW3S2-A	QW3S2-B	QW4S2-A	QW4S2-B	QW5S2-A	QW5S2-B
1	3000-1331	Wire Assembly	X	X	X	X	X	X	X	X
2	3000-1327	Wire Assembly	X	X	X	X	X	X	X	X
4	8615-037	Circuit Breaker 2 Pole 30A	X							
4	8615-054	Circuit Breaker 3 Pole 20A		X						
4	8615-055	Circuit Breaker 2 Pole 40A			X					
4	8615-052	Circuit Breaker 3 Pole 30A				X				
4	8615-040	Circuit Breaker 2 Pole 50A					X			
4	8615-042	Circuit Breaker 3 Pole 35A						X		
4	8615-041	Circuit Breaker 2 Pole 60A							X	
4	8615-043	Circuit Breaker 3 Pole 40A								X
5	126-267	Circuit Breaker Base	X	X	X	X	X	X	X	X
6	8611-006	Terminal	X	X	X	X	X	X	X	X
7	117-242	Circuit Breaker Box Partition	X	X	X	X	X	X	X	X
8	117-287	Control Panel	X	X	X	X	X	X	X	X
9	8201-140	Compressor Logic Module	X	X	X	X	X	X	X	X
10	3000-1325	Wire Assembly	X	X	X	X	X	X	X	X
11	8552-086	Capacitor 35 - 370V	X							
11	8552-035	Capacitor 40 - 370V			X					
11	8552-095	Capacitor 30 - 370V					X			
11	8552-096	Capacitor 40 - 440V							X	
12	8550-006	Capacitor Bracket	X				X			
12	8550-007	Capacitor Bracket			X				X	
13	8401-025	Contactor	X		X		X		X	
13	8401-002	Contactor		X		X		X		X
14	8611-094	Indicator Light	X	X	X	X	X	X	X	X
15	113-384	Light Bracket	X	X	X	X	X	X	X	X
16	8407-048	Transformer	X	X	X	X	X	X	X	X
17	8201-048	Relay, DPDT	X	X	X	X	X	X	X	X
18	8607-029	Terminal Strip	X	X	X	X	X	X	X	X
19	8201-126	3 Phase Line Monitor		X		X		X		X

# CONTROL PANEL - C (460V/3) VOLTAGE

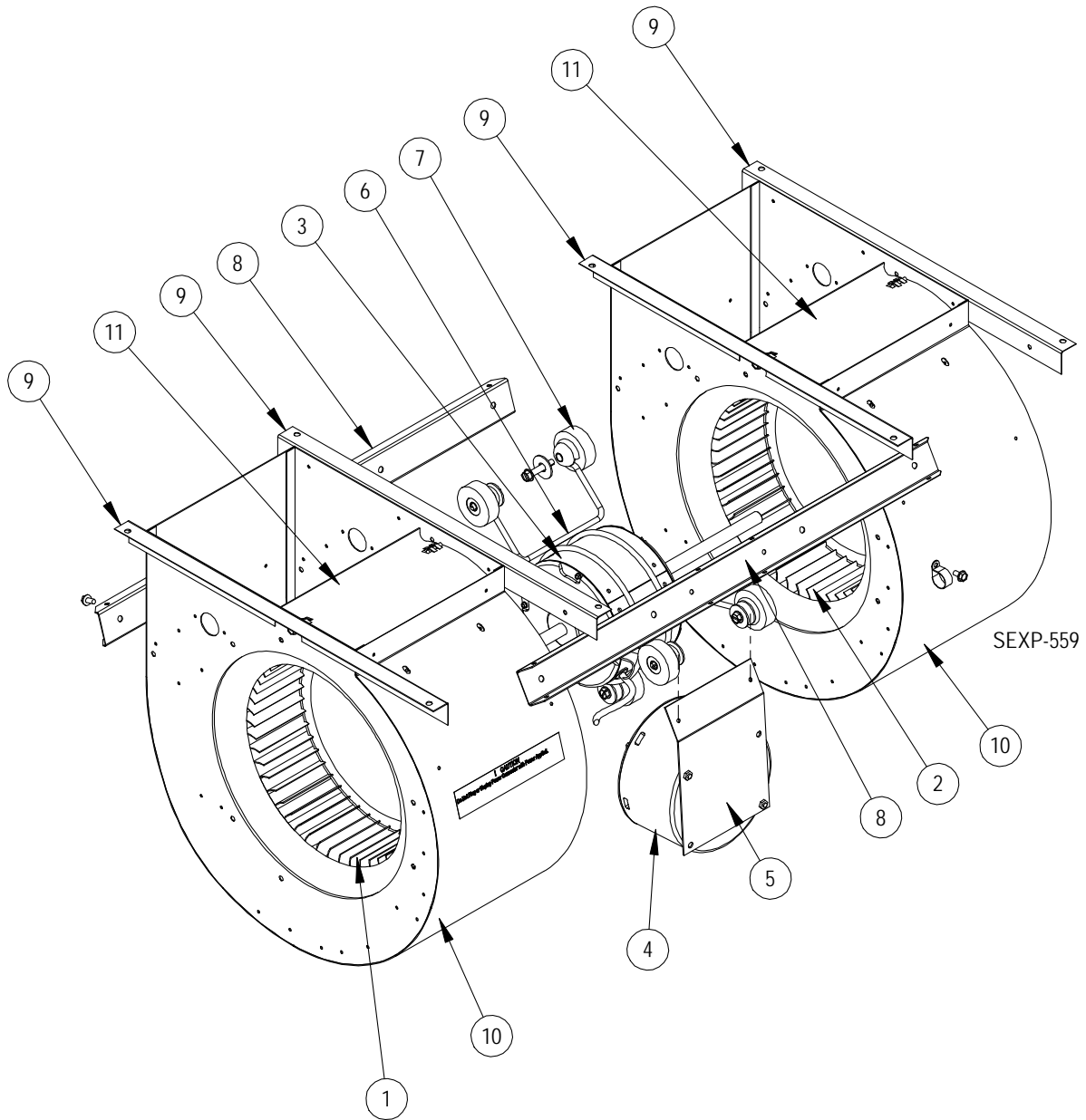


## CONTROL PANEL – C (460V/3) VOLTAGE

Drawing No.	Part No.	Description	QW2S2-C	QW3S2-C	QW4S2-C	QW5S2-C
1	3000-1331	Wire Assembly (Blower Power)	X	X	X	X
2	3000-1327	Wire Assembly (Blower Control)	X	X	X	X
3	8607-017	Terminal Block	X	X	X	X
4	S8615-101	460V Rotary Disconnect	X	X	X	X
5	126-323	Rotary Disconnect Base	X	X	X	X
6	8611-006	Terminal	X	X	X	X
7	117-242	Circuit Breaker Box Partition	X	X	X	X
8	117-287	Control Panel	X	X	X	X
9	8201-140	Compressor Logic Module	X	X	X	X
10	3000-1325	Wire Assembly (Vent Control)	X	X	X	X
11	8201-126	3 Phase Line Monitor	X	X	X	X
12	8614-041	Fuse Block	X	X	X	X
13	8401-002	Contactors	X	X	X	X
14	8611-094	Indicator Light	X	X	X	X
15	113-384	Light Bracket	X	X	X	X
16	8407-050	Transformer	X	X	X	X
17	8201-048	Relay, DPDT	X	X	X	X
18	8607-029	Terminal Strip	X	X	X	X
19	8614-047	Fuse 3.2A	2	2	2	
19	8614-046	Fuse 5A (Units with ERV)	2	2		
19	8614-042	Fuse 7A (Units with ERV)			2	2
19	8614-046	Fuse 5A				2

# BLOWER ASSEMBLY COMPONENTS

---

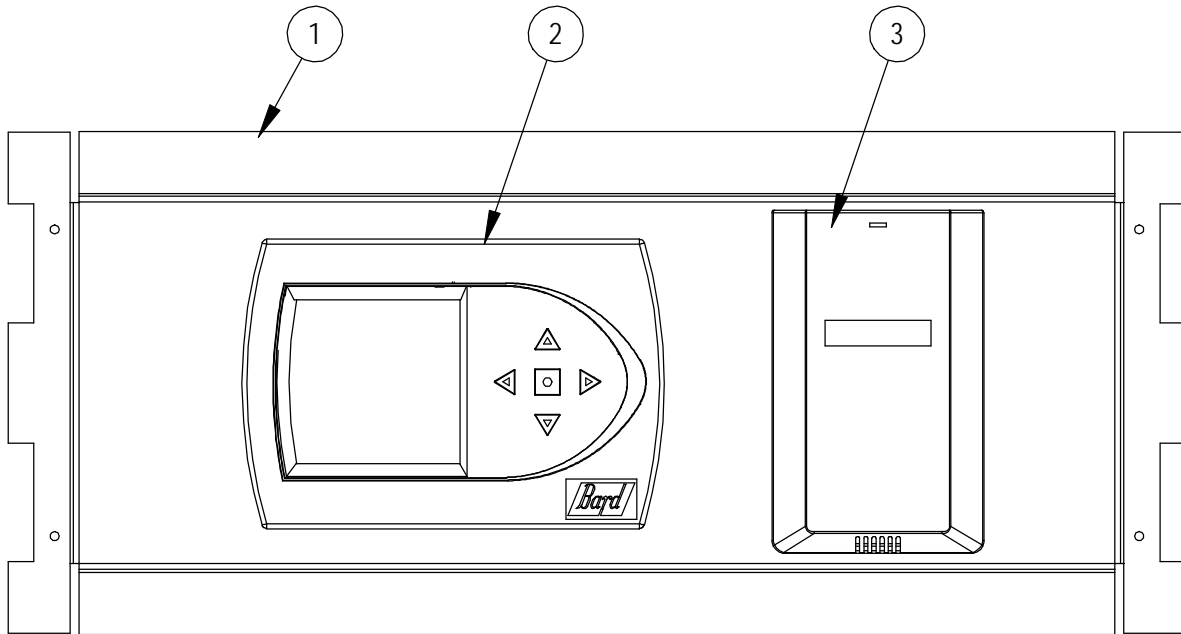


## BLOWER ASSEMBLY COMPONENTS

Drawing No.	Part No.	Description	900-301-002	900-299-002	900-300-003	900-300-004
1	5152-096	Blower Wheel	X	X		
1	5152-011	Blower Wheel			X	X
2	5152-072	Blower Wheel	X	X		
2	5152-012	Blower Wheel			X	X
3	S8105-060-0066	1/3 HP Programmed Motor	X			
3	S8106-052-0067	1/2 HP Programmed Motor		X		
3	S8107-017-0068A	3/4 HP Programmed Motor			X	
3	S8107-017-0069A	3/4 HP Programmed Motor				X
4	C8105-060-0066	Programmed Motor Control Only	X			
4	C8106-052-0067	Programmed Motor Control Only		X		
4	C8107-017-0068A	Programmed Motor Control Only			X	
4	C8107-017-0069A	Programmed Motor Control Only				X
5	113-380	Blower Motor Control Bracket	X	X	X	X
6	8200-040	Dual Motor Mount	X	X	X	X
7	5451-011	Grommet	6	6	6	6
8	165-572	Blower Support Channel	2	2	2	2
9	104-980	Blower Angle	4	4	4	4
10	151-117	Blower Housing	2	2		
10	151-101	Blower Housing			2	2
11	144-167	Diffuser	2	2		
11	144-166	Diffuser			2	2

# OPTIONAL CLIMATE CONTROLS - ALL UNITS

---



SEXP-560

## OPTIONAL CLIMATE CONTROLS – ALL UNITS

Drawing No.	Part No.	Description	ALL UNITS								
			Option X	Option D	Option H	Option K	Option 5	Option 6	Option 7	Option 8	
1	S127-313-*	Thermostat Plate	X								
1	S127-308-*	Thermostat Plate		X				X		X	
1	S127-372-*	Thermostat Plate			X						
1	S127-409-*	CO <sub>2</sub> Plate				X					
1	S127-451-*	Control Opt. Plate						X			X
2	8403-060	Electronic / Programmable Manual / Auto Changeover		X	X			X	X		
2	8403-069	Electronic / Programmable with BACnet					X	X			
2	8403-071	Electronic BACnet with IR Detection, 3H, 2C								X	
2	8403-075	Electronic, Non-Programmable w/BACnet									X
3	8403-067	CO <sub>2</sub> Sensor with Relay			X	X		X			X
NS	4115-100	Wiring Diagram		X							
NS	4115-101	Wiring Diagram			X						
NS	4115-102	Wiring Diagram	X								
NS	4115-105	Wiring Diagram				X					
NS	4115-110	Wiring Diagram					X			X	
NS	4115-111	Wiring Diagram						X			X
NS	8607-021	Terminal Strip 8 Terminal	X								
NS	8607-029	Terminal Strip	X			X					
NS	3000-1332	Wire Assembly Thermostat Connection	X			X					
NS	3000-1333	Wire Assembly CO <sub>2</sub> Control Connection	X								
NS	3000-1334	Wire Assembly Thermostat Connection		X	X						
NS	3000-1412	Wire Assembly CO <sub>2</sub> Control Connection			X	X		X			X
NS	3000-1421	Wire Assembly Thermostat Connection					X	X	X		X

\* Exterior cabinet parts are manufactured with various paint color options. To ensure the proper paint color is received, include the complete model number and serial number of the unit for which parts are being ordered.

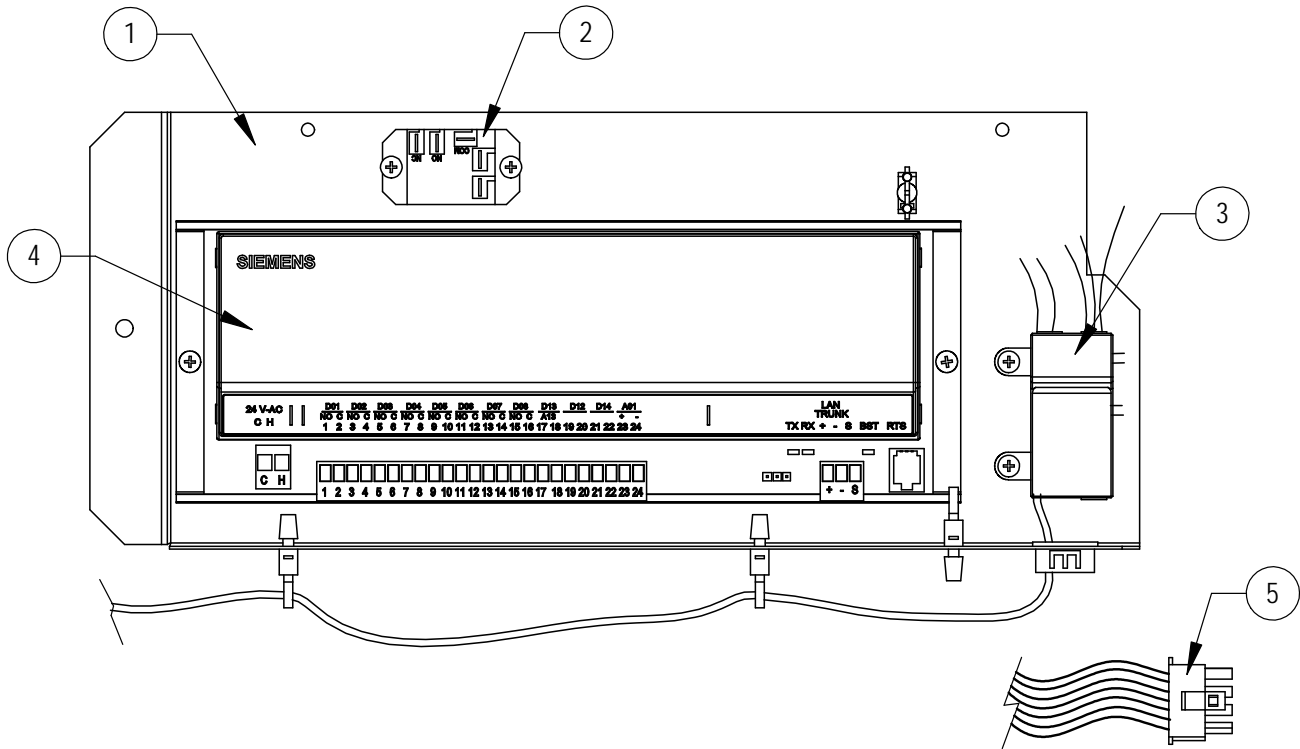
NS – Not Shown

### CLIMATE CONTROL OPTION NOMENCLATURE AS SHOWN IN UNIT MODEL NUMBER

QW 3S2 - A 02 X X X X X X

- X – None
- D – Electronic, programmable, manual changeover
- H – Electronic, programmable, manual/auto changeover, CO<sub>2</sub> Control
- K – CO<sub>2</sub> Control with remote thermostat connection
- 5 – Viconics VT7652H5000B with BACnet
- 6 – Viconics VT7652H5000B with BACnet, CO<sub>2</sub> Control
- 7 – Viconics VT7600H5500B with BACnet, IR Sensing
- 8 – Viconics VT7600H5000B, Non-Programmable w/o PIR Window w/BACnet

# OPTIONAL CLIMATE CONTROLS - OPTION S



SEXP-639 A

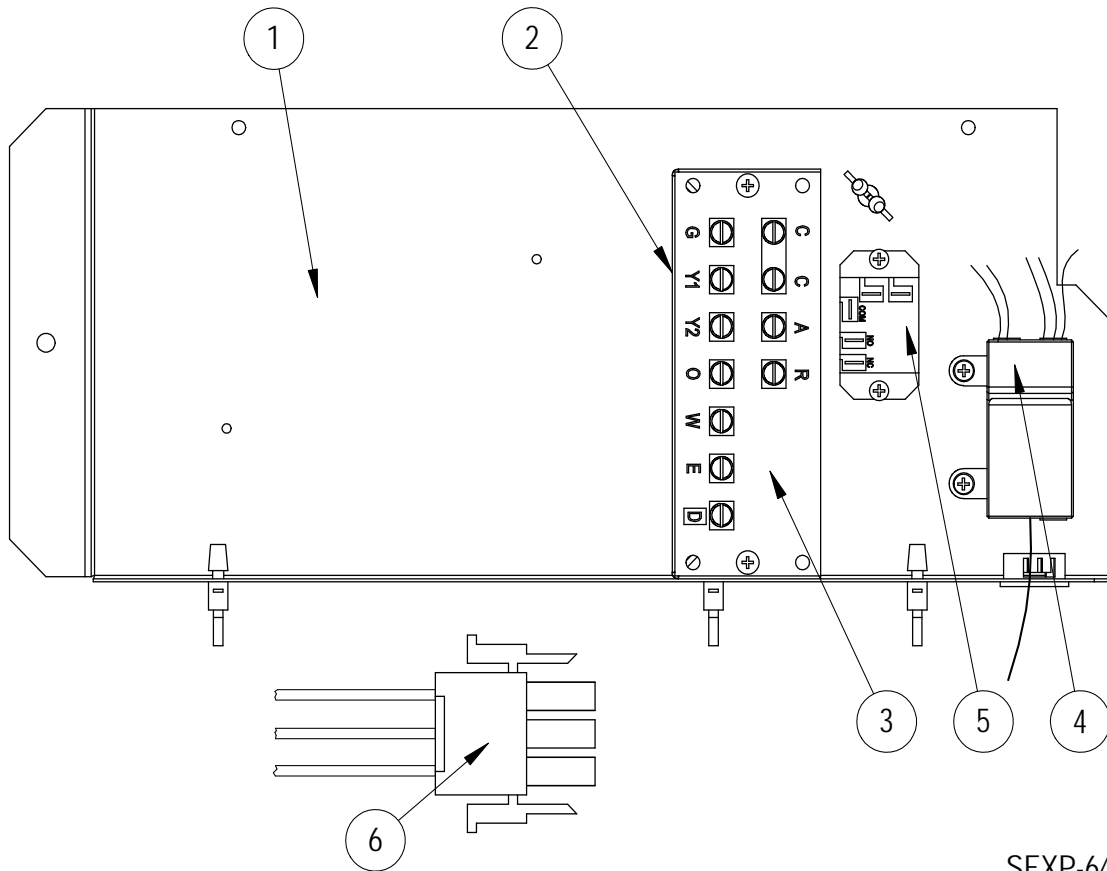


## OPTIONAL CLIMATE CONTROLS – OPTION S

---

Drawing No.	Part No.	Description	Option S
1	117-325	Control Panel	X
2	8201-130	Relay, SPDT, Pilot Duty	X
3	8406-139	Condensate Overflow Switch	X
4	8403-068	Siemens DDC Interface	X
5	3000-1414	Wire Harness	X
NS	4115-106B	Wiring Diagram	X
NS	133-122	Control Panel Cover	X

# OPTIONAL CLIMATE CONTROLS - OPTION C



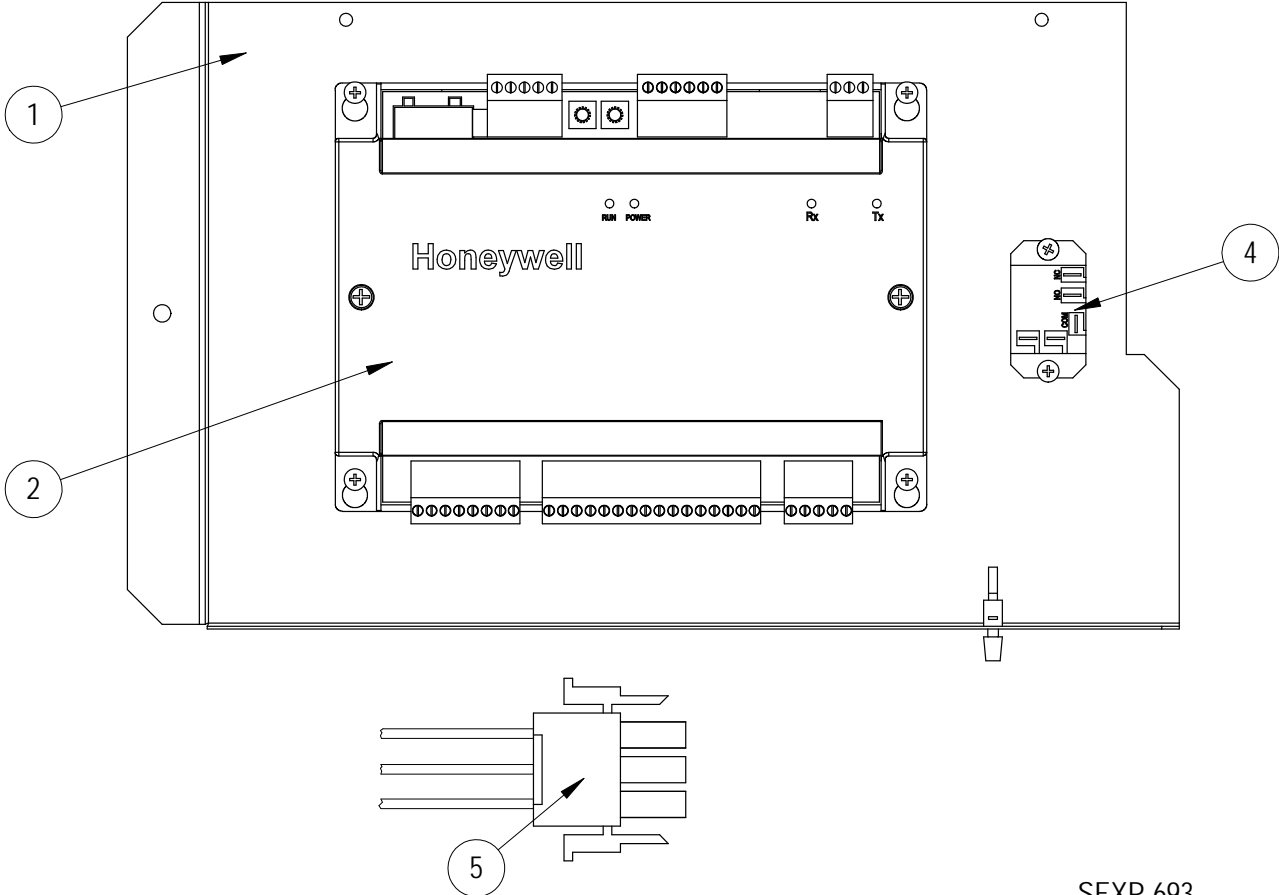
SEXP-646 A

## OPTIONAL CLIMATE CONTROLS – OPTION C

---

<b>Drawing No.</b>	<b>Part No.</b>	<b>Description</b>	<b>Option C</b>
1	117-328	Control Panel	X
2	117-329	Low Voltage Control Box	X
3	8607-029	Low Voltage Terminal Strip	X
4	8406-139	Condensate Overflow Switch	X
5	8201-130	Relay, SPDT Pilot Duty	X
6	3000-1415	Wire Harness	X
NS	4115-107	Wiring Diagram	X
NS	133-222	Control Panel Cover	X

# OPTIONAL CLIMATE CONTROLS - OPTION L



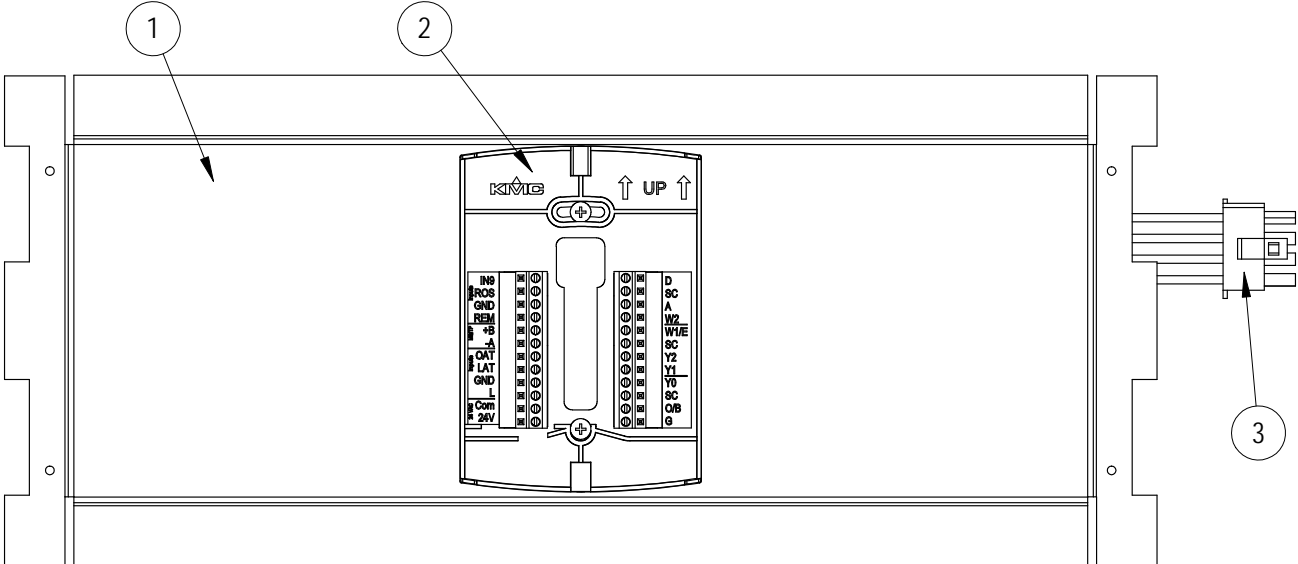
SEXP-693

## OPTIONAL CLIMATE CONTROLS – OPTION L

---

Drawing No.	Part No.	Description	Option L
1	117-342	Control Panel	X
2	8403-072	Honeywell DDC Interface	X
4	8201-130	Relay, SPDT, Pilot Duty	X
5	3000-1439	12-Pin Male Plug with 8 Wires	X
5	3000-1440	6-Pin Male Plug with 2 Wires	X
5	3000-1441	6-Pin Female Plug with 7 Wires	X
5	3000-1442	6-Pin Male Plug with Sheathed Wire	X
NS	8408-046	20K Discharge Air Sensor	X
NS	8403-067	C02 Controller (Mounted on Door)	X
NS	8403-073	20K Room Temperature Sensor (Mounted on Door)	X

# OPTIONAL CLIMATE CONTROLS – OPTIONS 1-4



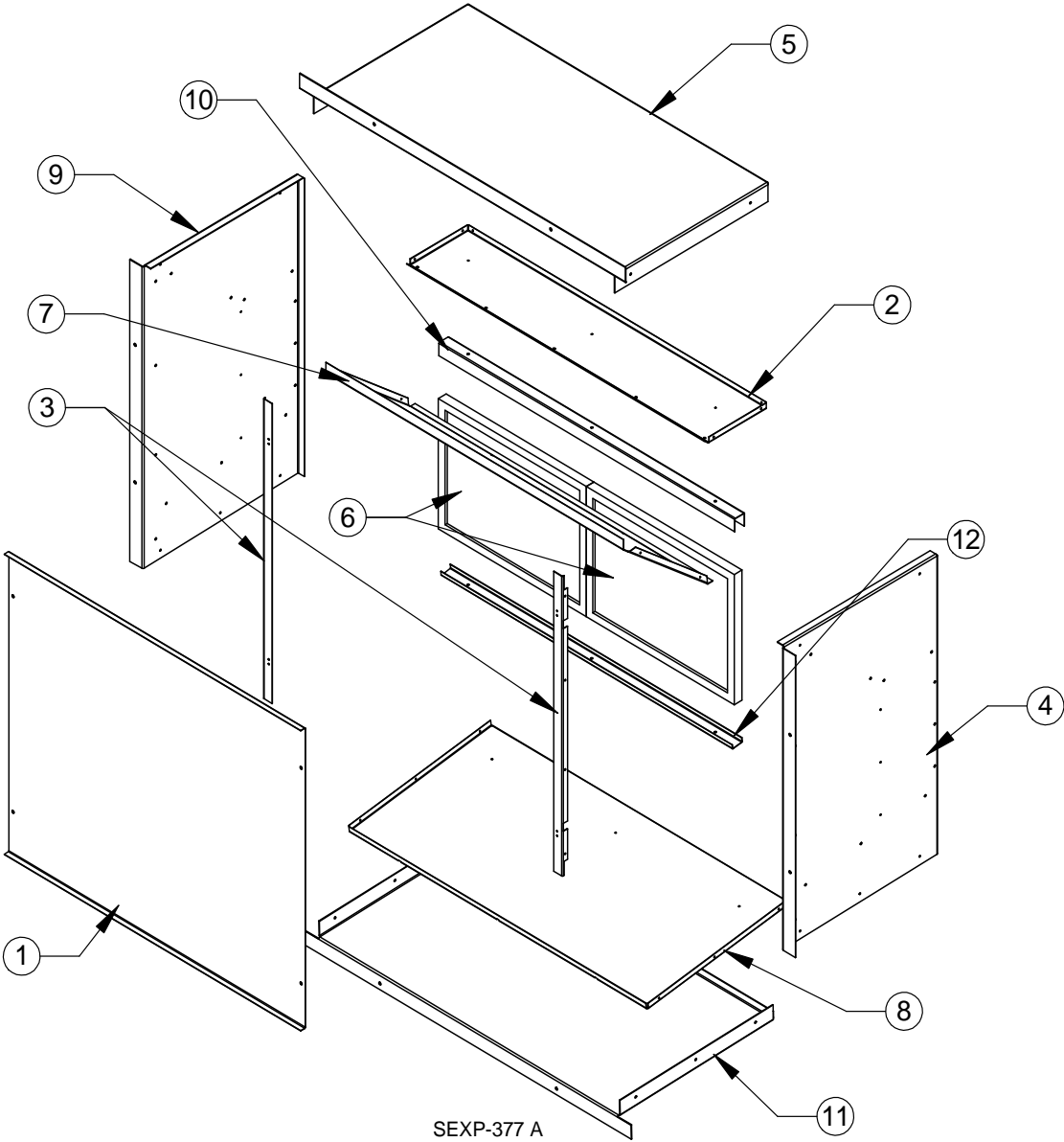
SEXP-1042

## OPTIONAL CLIMATE CONTROLS – OPTIONS 1-4

---

Drawing No.	Part No.	Description	Option 1	Option 2	Option 3	Option 4
1	127-427-*	Thermostat Mounting Plate	X	X	X	X
2	CS9B-THOA	CompleteStat TEMP/HUM/OCC	X			
2	CS9B-THOCA	CompleteStat TEMP/HUM/OCC/CO2		X		
2	CS9BE-THOA	CompleteStat TEMP/HUM/OCC with BACnet			X	
2	CS9BE-THOCA	CompleteStat TEMP/HUM/OCC/CO2 with BACnet				X
3	3000-1704	Wire Assembly	X	X	X	X

# WALL SLEEVE CABINET COMPONENTS





# WALL SLEEVE CABINET COMPONENTS

---

Drawing No.	Part No.	Description	QWVS42
1	142-076	Cover	X
2	121-350-X	Top Partition	X
3	105-1103-X	Angle	2
4	110-073-X	Right Side	X
5	110-074-X	Top	X
6	7003-056	Mist Eliminator	2
7	111-076-X	Air Deflector	X
8	121-349-X	Partition	X
9	110-072-X	Left Side	X
10	165-566-X	Upper Support Channel	X
11	110-075-X	Base	X
12	165-567-X	Lower Support Channel	X