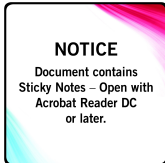


# REPLACEMENT PARTS MANUAL

# I-TEC SERIES PACKAGED HEAT PUMP



## Models:

**I36Z1**

**I48Z1**

**I60Z1**

## General Notes

- Revised and/or additional pages may be issued from time to time.
- A complete and current manual consists of pages shown in the following contents section.

## Important

- Contact the installing and/or local Bard distributor for all parts requirements. Make sure you have the complete model and serial number available from the unit rating plates.

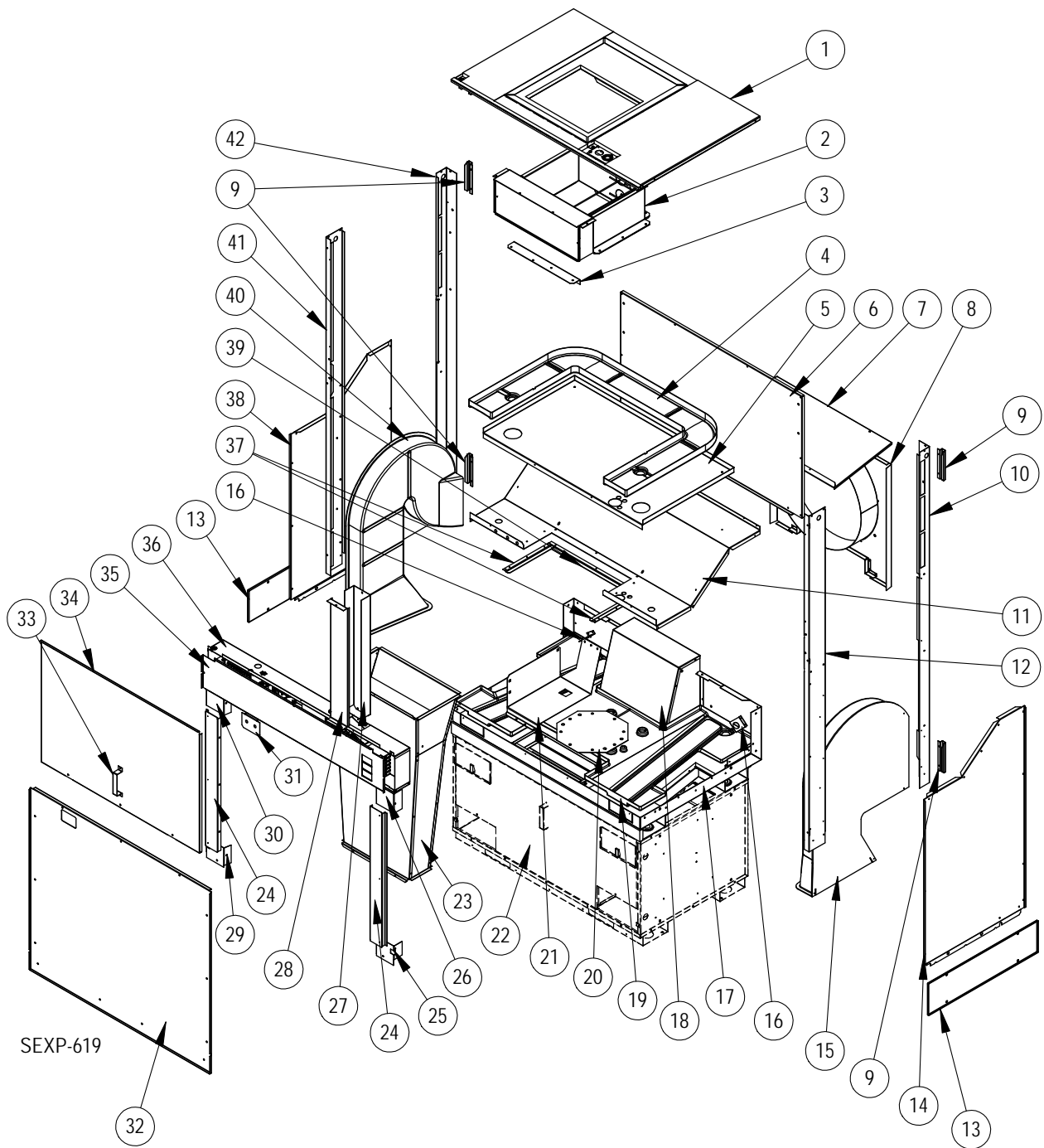
| Description                             | Page |
|---|------|
| Cabinet Components                      |      |
| ♦ Exploded View .....                   | 2    |
| ♦ Usage List .....                      | 3    |
| Painted Cabinet Components              |      |
| ♦ Exploded View .....                   | 4    |
| ♦ Usage List .....                      | 5    |
| Functional Components                   |      |
| ♦ Exploded View .....                   | 6    |
| ♦ Usage List.....                       | 7    |
| ♦ Usage List.....                       | 8    |
| Blower Assembly                         |      |
| ♦ Exploded View .....                   | 9    |
| ♦ Usage List.....                       | 9    |
| Control Panel Components - 1 Phase      |      |
| ♦ Exploded View .....                   | 10   |
| ♦ Usage List.....                       | 11   |
| Control Panel Components - 3 Phase      |      |
| ♦ Exploded View .....                   | 12   |
| ♦ Usage List.....                       | 13   |
| Control Panel Components - 460V 3 Phase |      |
| ♦ Exploded View .....                   | 14   |
| ♦ Usage List.....                       | 15   |
| Electric Heater Components              |      |
| ♦ Exploded View .....                   | 16   |
| ♦ Usage List.....                       | 17   |
| ♦ Usage List.....                       | 18   |
| ♦ Usage List.....                       | 19   |
| Vent Box (Only) Components              |      |
| ♦ Exploded View .....                   | 20   |
| ♦ Usage List.....                       | 21   |
| CRV Components                          |      |
| ♦ Exploded View .....                   | 22   |
| ♦ Usage List.....                       | 23   |
| CRV Blower Components                   |      |
| ♦ Exploded View .....                   | 24   |
| ♦ Usage List.....                       | 25   |
| Sleeve Components                       |      |
| ♦ Exploded View .....                   | 26   |
| ♦ Usage List.....                       | 27   |
| Riser Platform Components               |      |
| ♦ Exploded View .....                   | 28   |
| ♦ Usage List.....                       | 29   |



Bard Manufacturing Company, Inc.  
 Bryan, Ohio 43506  
*Since 1914...Moving ahead, just as planned.*

Manual: 2110-590A  
 Supersedes: 2110-590  
 File: Tab 16  
 Date: 03-27-13

# CABINET COMPONENTS

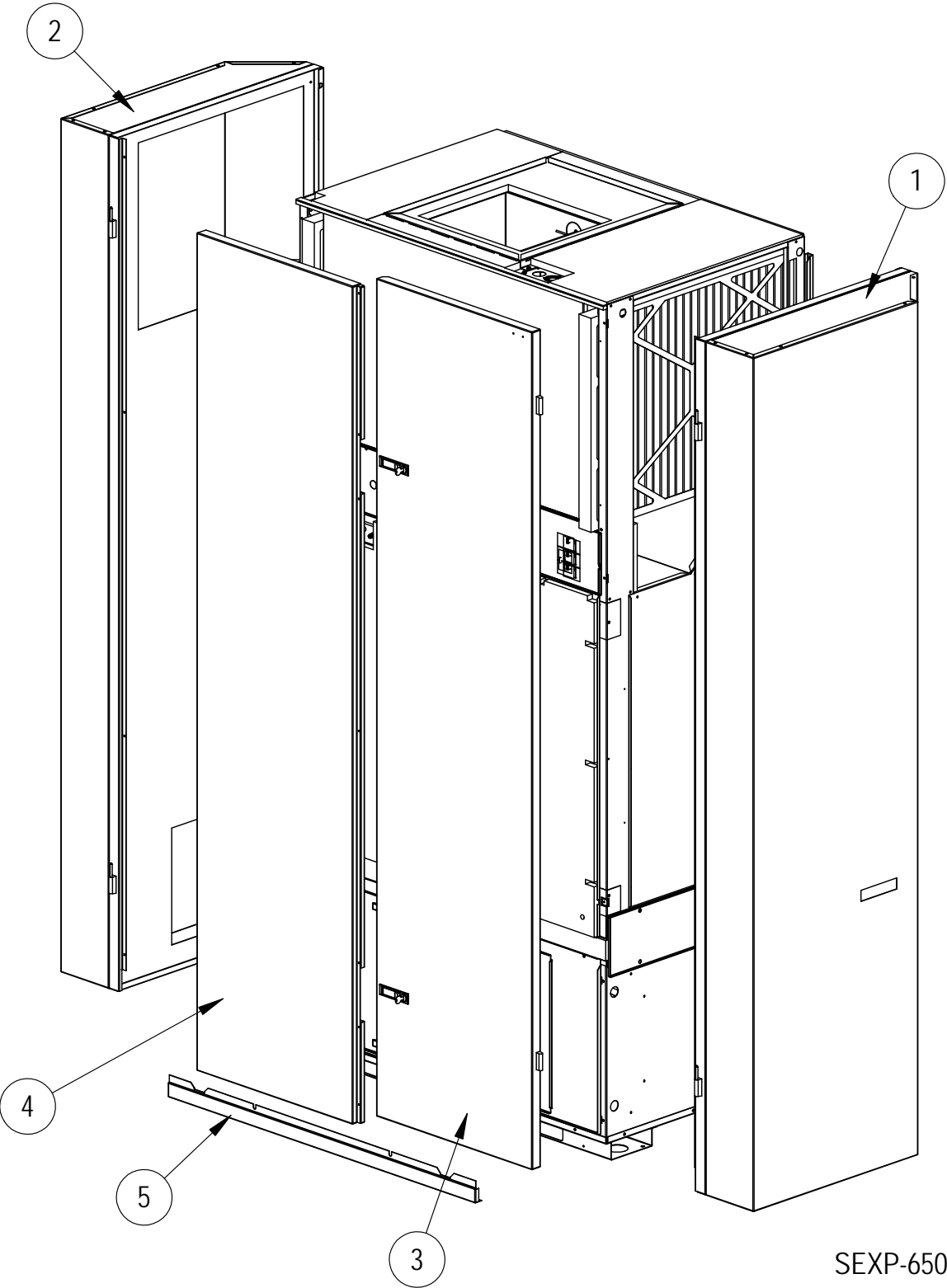


# CABINET COMPONENTS

| Drawing No. | Part Number               | Description                                    | All Models |
|-------------|---------------------------|--|------------|
| 1           | S507-296                  | Top Assembly                                   | X          |
| 2           | See Heater Pkg. Section   | Heater Package                                 | X          |
| 3           | 105-1256                  | Front blower angle                             | X          |
| 4           | 6096-001                  | Indoor drain pan                               | X          |
| 5           | S141-383                  | Evap. Coil Support                             | X          |
| 6           | 509-259-8                 | Unit Back Assembly                             | X          |
| 7           | S137-641                  | Cond. Coil Top Fill                            | X          |
| 8           | S125-065                  | Fan Shroud/Venturi Assembly                    | X          |
| 9           | 113-439                   | Side Bracket                                   | 4          |
| 10          | S149-120                  | Right Rear Corner                              | X          |
| 11          | S121-456                  | Condenser Partition                            | X          |
| 12          | S149-123                  | Right Front Corner                             | X          |
| 13          | S113-438                  | Unit Connection Bracket                        | 2          |
| 14          | S101X635                  | Right Inner Side Panel                         | X          |
| 15          | S7001-024                 | Right Hand Inlet Duct (used on CRV units only) | X          |
| 16          | 113-429                   | Evap. Drain Tube Bracket                       | 2          |
| 17          | S127-416                  | Condenser Base Assembly                        | X          |
| 18          | S921-0003                 | Exhaust Duct Assembly                          | X          |
| 19          | 6096-002                  | Outdoor Drain Pan                              | X          |
| 20          | 126-417                   | Compressor Mounting Base                       | X          |
| 21          | 113-445                   | 460V trans. Mtg brkt. (I36 & I48)              | X          |
|             | 113-449                   | 460V trans. Mtg brkt. (I60 Only)               | X          |
| 22          | See Vent Section          | Vent Option                                    | X          |
| 23          | 511-177                   | Intake Duct Assembly (used on CRV units only)  | X          |
| 24          | S141-391                  | Condenser Coil Access Door                     | X          |
| 25          | S141X390                  | Lower Right Condenser Coil Support             | X          |
| 26          | S141X389                  | Upper Right Condenser Coil Support             | X          |
| 27          | 165-599                   | High Voltage Wire Channel                      | X          |
| 28          | 143-157                   | High Voltage Wire Channel Cover                | X          |
| 29          | S141Y390                  | Lower Left Condenser Coil Support              | X          |
| 30          | S141Y389                  | Upper Left Condenser Coil Support              | X          |
| 31          | S113-440                  | Dual Service Port Bracket                      | X          |
| 32          | S553-498                  | Condenser Door                                 | X          |
| 33          | 113-441                   | Door Latch Bracket                             | X          |
| 34          | S553-496                  | Evaporator Door                                | X          |
| 35          | S153-497                  | Control Panel Door (230V Units)                | X          |
|             | S153-501                  | Control Panel Door (460V Units)                | X          |
| 36          | See Control Panel Section | Control Panel                                  | X          |
| 37          | 103-493                   | Cond. Partition Side Offset                    | 2          |
| 38          | S101Y635                  | Left Inner Side Panel                          | X          |
| 39          | 103-494                   | Cond. Partition Rear Offset                    | X          |
| 40          | S7001-025                 | Left Hand Inlet Duct (used on CRV units only)  | X          |
| 41          | S149-121                  | Left Front Corner                              | X          |
| 42          | S149-122                  | Left Rear Corner                               | X          |
| NS          | S113-426                  | Top Mounting Bracket                           | X          |

NS = Not Shown

# PAINTED CABINET COMPONENTS



SEXP-650

# PAINTED CABINET COMPONENTS

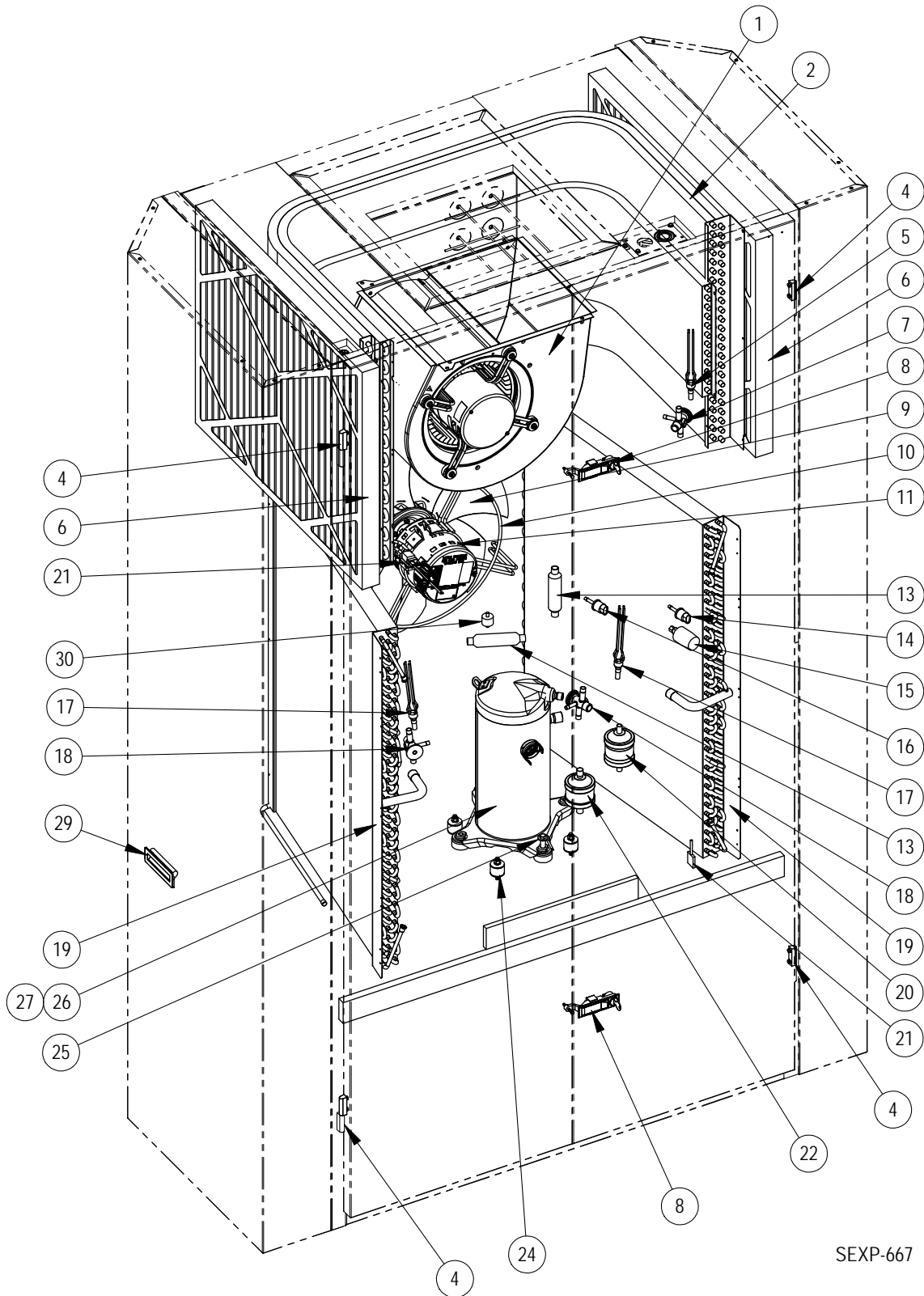
---

| <b>Drawing No.</b> | <b>Part Number</b> | <b>Description</b> | <b>All Models</b> |
|--------------------|--------------------|--------------------|-------------------|
| 1                  | S501-702-*         | Right Side         | X                 |
| 2                  | S501-704-*         | Left Side          | X                 |
| 3                  | S553-531-*         | Right Front Door   | X                 |
| 4                  | S553-532-*         | Left Front Door    | X                 |
| 5                  | 115-206-*          | Front Unit Trim    | X                 |

\* Exterior cabinet parts are manufactured with various paint color options. To ensure that you receive the proper paint color, please reference the following codes:

- Beige -X
- White -1
- Buckeye Gray -4

# FUNCTIONAL COMPONENTS



SEXP-667

# FUNCTIONAL COMPONENTS

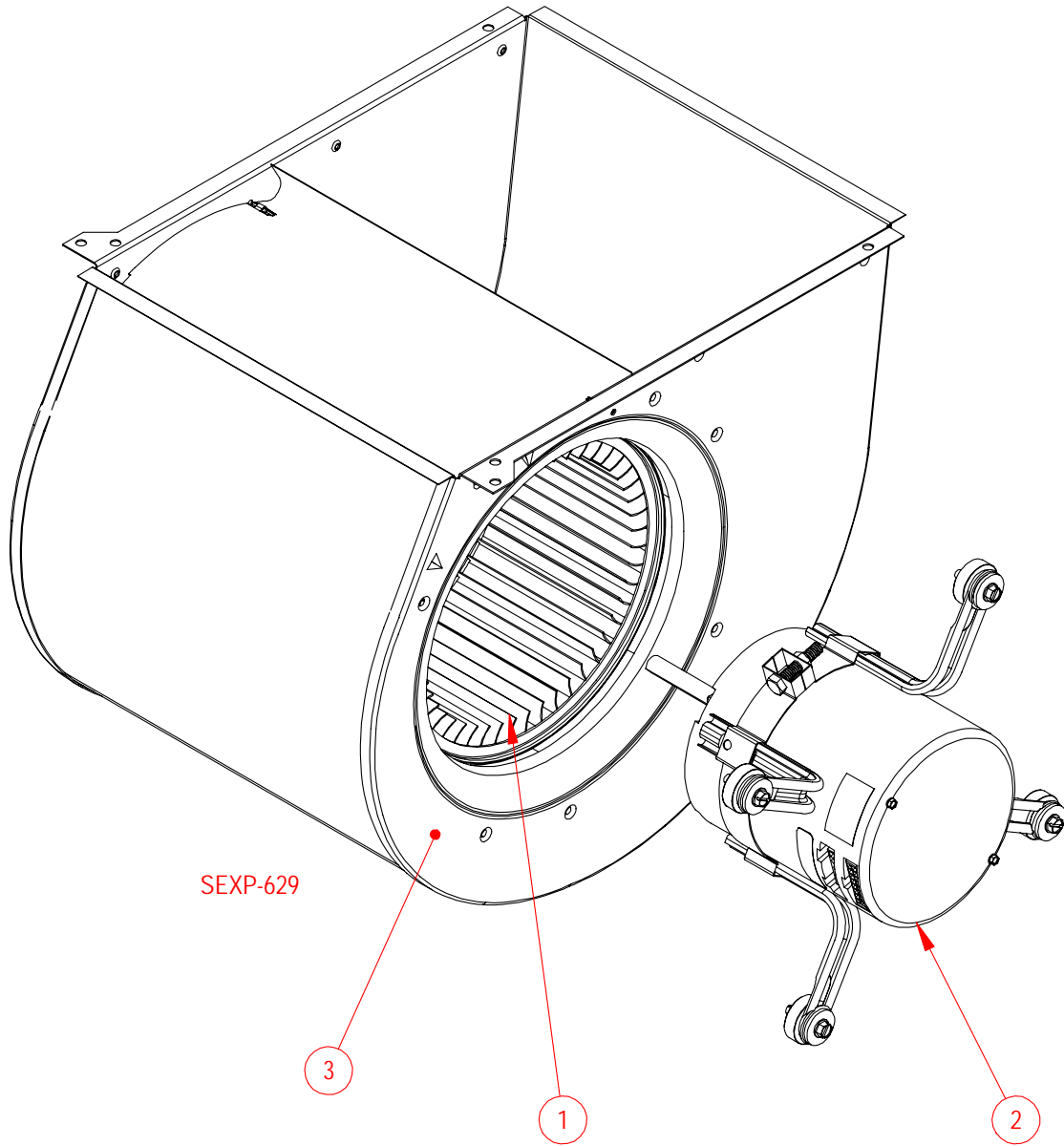
| Drawing No. | Part Number    | Description                                  | I36Z1-A | I36Z1-B | I36Z1-C | I48Z1-A | I48Z1-B | I48Z1-C | I60Z1-A | I60Z1-B | I60Z1-C |
|-------------|----------------|--|---------|---------|---------|---------|---------|---------|---------|---------|---------|
| 1           | S5154-005-0089 | Complete Blower Assembly                     | X       | X       | X       |         |         |         |         |         |         |
| 1           | S5154-005-0114 | See Blower Section for Individual Components |         |         |         | X       | X       | X       |         |         |         |
| 1           | S5154-006-0117 |  |         |         |         |         |         |         | X       | X       | X       |
| 2           | 5060-168BX     | Evaporator Coil                              | X       | X       | X       | X       | X       | X       |         |         |         |
| 2           | 5060-175BX     | Evaporator Coil                              |         |         |         |         |         |         | X       | X       | X       |
| 4           | 5400-006       | Polymide Lift-Off Hinge                      | 4       | 4       | 4       | 4       | 4       | 4       | 4       | 4       | 4       |
| 5           | 5625-007       | Distributor                                  | X       | X       | X       | X       | X       | X       |         |         |         |
| 5           | 5625-008       | Distributor                                  |         |         |         |         |         |         | X       | X       | X       |
| 6           | 7004-050       | MERV 8 Filter                                | 2       | 2       | 2       | 2       | 2       | 2       | 2       | 2       | 2       |
| 6           | 7004-051       | MERV 11 Filter                               | 2       | 2       | 2       | 2       | 2       | 2       | 2       | 2       | 2       |
| 6           | 7004-053       | MERV 13 Filter                               | 2       | 2       | 2       | 2       | 2       | 2       | 2       | 2       | 2       |
| 7           | 5651-210       | Expansion Valve                              | X       | X       | X       |         |         |         |         |         |         |
| 7           | 5651-211       | Expansion Valve                              |         |         |         | X       | X       | X       |         |         |         |
| 7           | 5651-212       | Expansion Valve                              |         |         |         |         |         |         | X       | X       | X       |
| 8           | 1171-063       | Lockable Latch                               | 2       | 2       | 2       | 2       | 2       | 2       | 2       | 2       | 2       |
| 9           | 5151-058       | Fan Blade                                    | X       | X       | X       | X       | X       | X       | X       | X       | X       |
| 10          | 8200-045       | Fan Mount                                    | X       | X       | X       | X       | X       | X       | X       | X       | X       |
| 11          | S8105-058-0095 | Programmed Outdoor Motor                     | X       | X       | X       |         |         |         |         |         |         |
| 11          | S8106-054-0113 | Programmed Outdoor Motor                     |         |         |         | X       | X       | X       |         |         |         |
| 11          | S8105-054-0111 | Programmed Outdoor Motor                     |         |         |         |         |         |         | X       | X       | X       |
| 12          | 5650-039       | Reversing Valve                              | X       | X       | X       |         |         |         |         |         |         |
| 12          | 5650-040       | Reversing Valve                              |         |         |         | X       | X       | X       | X       | X       | X       |
| 14          | 1804-0327      | High Pressure Switch                         | X       | X       | X       | X       | X       | X       | X       | X       | X       |
| 15          | 8406-112       | Low Ambient Control                          | X       | X       | X       | X       | X       | X       | X       | X       | X       |
| 16          | 1804-0107      | Low Pressure Switch                          | X       | X       | X       | X       | X       | X       | X       | X       | X       |
| 17          | 5625-013       | Distributor                                  | 2       | 2       | 2       |         |         |         |         |         |         |
| 17          | 5625-007       | Distributor                                  |         |         |         | 2       | 2       | 2       | 2       | 2       | 2       |
| 18          | 5651-217       | Expansion Valve                              | 2       | 2       | 2       |         |         |         |         |         |         |
| 18          | 5651-218       | Expansion Valve                              |         |         |         | 2       | 2       | 2       |         |         |         |
| 18          | 5651-200       | Expansion Valve                              |         |         |         |         |         |         | 2       | 2       | 2       |
| 19          | 5051-171BX     | Condenser Coil                               | 2       | 2       | 2       |         |         |         |         |         |         |
| 19          | 5051-172BX     | Condenser Coil                               |         |         |         | 2       | 2       | 2       | 2       | 2       | 2       |
| 20          | 5201-020       | Filter-Drier                                 | X       | X       | X       | X       | X       | X       | X       | X       | X       |

# FUNCTIONAL COMPONENTS

| Drawing No. | Part Number | Description                        | I36Z1-A | I36Z1-B | I36Z1-C | I48Z1-A | I48Z1-B | I48Z1-C | I60Z1-A | I60Z1-B | I60Z1-C |
|-------------|-------------|------------------------------------|---------|---------|---------|---------|---------|---------|---------|---------|---------|
| 21          | S910-1815   | Condenser Overflow                 | X       | X       | X       | X       | X       | X       | X       | X       | X       |
| 22          | 5220-013    | Pulsation Dampener / Muffler       | X       | X       | X       | X       | X       | X       | X       | X       | X       |
| 24          | 8001-013    | Compressor Grommet                 | 4       | 4       | 4       | 4       | 4       | 4       | 4       | 4       | 4       |
| 25          | 1012-328    | Compressor Bolt                    | 4       | 4       | 4       | 4       | 4       | 4       | 4       | 4       | 4       |
| 26          | 8000-379    | Compressor                         | X       |         |         |         |         |         |         |         |         |
| 26          | 8000-380    | Compressor                         |         | X       |         |         |         |         |         |         |         |
| 26          | 8000-381    | Compressor                         |         |         | X       |         |         |         |         |         |         |
| 26          | 8000-382    | Compressor                         |         |         |         | X       |         |         |         |         |         |
| 26          | 8000-383    | Compressor                         |         |         |         |         | X       |         |         |         |         |
| 26          | 8000-384    | Compressor                         |         |         |         |         |         | X       |         |         |         |
| 26          | 8000-385    | Compressor                         |         |         |         |         |         |         | X       |         |         |
| 26          | 8000-386    | Compressor                         |         |         |         |         |         |         |         | X       |         |
| 26          | 8000-387    | Compressor                         |         |         |         |         |         |         |         |         | X       |
| 27          | 8002-012    | Compressor Sound Cover             | X       | X       | X       | X       | X       | X       | X       | X       | X       |
| 27          | 8002-013    | Compressor Sound Cover             | X       | X       | X       | X       | X       | X       | X       | X       | X       |
| 29          | 1171-060    | Flush Plastic Door Pull            | 2       | 2       | 2       | 2       | 2       | 2       | 2       | 2       | 2       |
| 30          | 5451-018    | Motor Mount Grommet                | 2       | 2       | 2       | 2       | 2       | 2       | 2       | 2       | 2       |
| 31          | 5650-046    | Rev. Valve Solenoid - Black Casing | X       | X       | X       | X       | X       | X       | X       | X       | X       |
| NS          | 6094-011    | 3/4" Barbed Drain Pan Fitting      | 4       | 4       | 4       | 4       | 4       | 4       | 4       | 4       | 4       |
| NS          | 6001-016    | Nylon Barbed Tee                   | X       | X       | X       | X       | X       | X       | X       | X       | X       |
| NS          | 7950-021    | 1" Hose Clamp                      | 8       | 8       | 8       | 8       | 8       | 8       | 8       | 8       | 8       |
| NS          | 6031-010    | R-410A Tamper Resistant Cap        | 2       | 2       | 2       | 2       | 2       | 2       | 2       | 2       | 2       |
| NS          | 4202-101    | Wiring Diagram                     | X       |         |         | X       |         |         | X       |         |         |
| NS          | 4202-201    | Wiring Diagram                     |         | X       |         |         | X       |         |         | X       |         |
| NS          | 4202-301    | Wiring Diagram                     |         |         | X       |         |         | X       |         |         | X       |

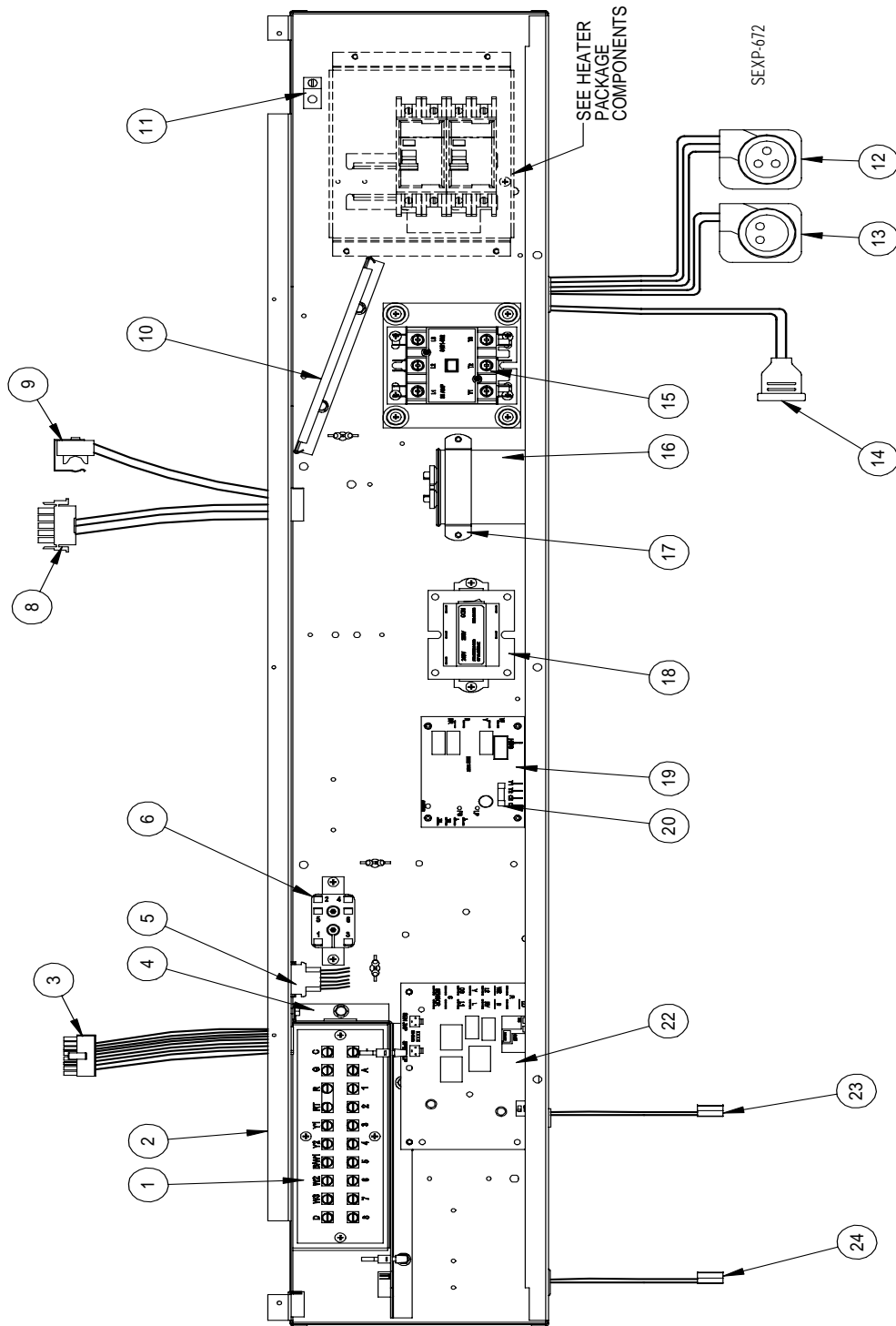


# BLOWER ASSEMBLY COMPONENTS



| Drawing No. | Part Number    | Description             | 5154-005-0089 | 5154-005-0087 | 5154-006-0081 |
|-------------|----------------|-------------------------|---------------|---------------|---------------|
| 1           | 5152-049       | Blower Wheel            | X             | X             | X             |
| 2           | S8106-051-0089 | 3/4 HP Programmed Motor | X             | X             | X             |
| 2           | S8106-051-0114 | 3/4 HP Programmed Motor | X             | X             | X             |
| 2           | S8107-016-0117 | 1 HP Programmed Motor   | X             | X             | X             |
| 3           | 151-122        | Housing                 | X             | X             | X             |

# CONTROL PANEL COMPONENTS — 1 PHASE

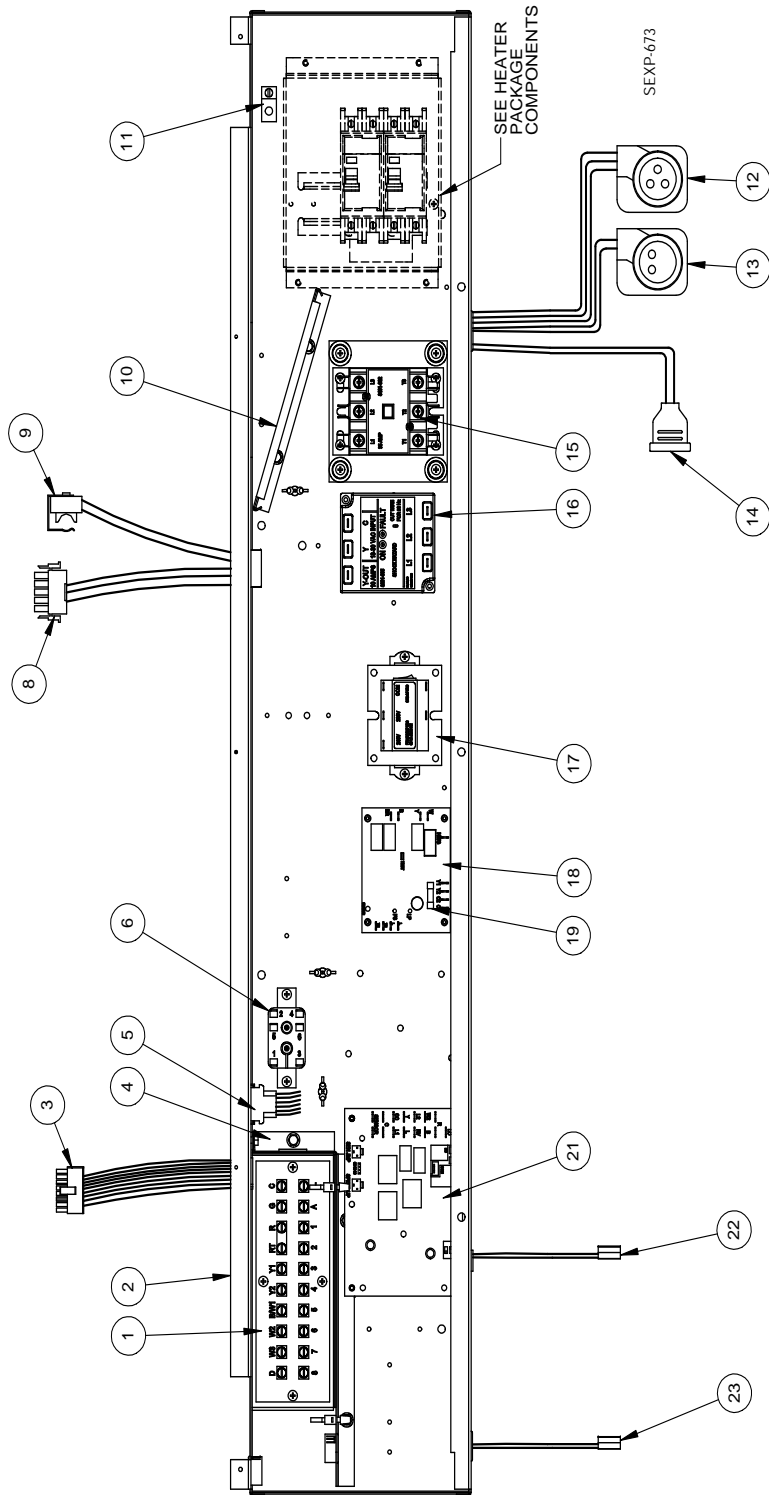


# CONTROL PANEL COMPONENTS — 1 PHASE

---

| Drawing No. | Part Number | Description                            | I36Z1-A | I48Z1-A | I60Z1-A |
|-------------|-------------|--|---------|---------|---------|
| 1           | 8607-032    | Low Voltage Terminal Strip             | X       | X       | X       |
| 2           | 517-318     | Control Panel                          | X       | X       | X       |
| 3           | 3000-1396   | 16 Pin 24V Indoor Blower Motor Control | X       | X       | X       |
| 4           | 117-319     | Low Voltage Terminal Box               | X       | X       | X       |
| 5           | 3000-1397   | 6 Pin Electric Heat                    | X       | X       | X       |
| 6           | 8201-015    | Relay                                  | X       | X       | X       |
| 8           | 3000-1398   | 5 Pin Indoor Blower Motor Power        | X       | X       | X       |
| 9           | 8408-038    | Freeze Protect Thermostat              | X       | X       | X       |
| 10          | 135-319     | Wire Shield                            | X       | X       | X       |
| 11          | 8611-006    | Ground Terminal                        | X       | X       | X       |
| 12          | 3000-1222   | Compressor Power Plug                  | X       | X       | X       |
| 13          | 3000-1223   | Compressor Solenoid Plug               | X       | X       | X       |
| 14          | 5650-044    | Solenoid Valve Plug                    | X       | X       | X       |
| 15          | 8401-025    | Contactora 2 Pole 40 Amp               | X       | X       | X       |
| 16          | 8552-035    | Capacitor 40MFD 370V                   | X       |         |         |
| 16          | 8552-095    | Capacitor 30MFD 370V                   |         | X       |         |
| 16          | 8552-096    | Capacitor 40MFD 440V                   |         |         | X       |
| 17          | 8550-007    | Capacitor Bracket 2" Round             | X       |         | X       |
| 17          | 8550-006    | Capacitor Bracket 1-3/4" Round         |         | X       |         |
| 18          | 8407-048    | Transformer 75VA with Circuit Breaker  | X       | X       | X       |
| 19          | 8201-128    | Fan Logic Control                      | X       | X       | X       |
| 20          | 8614-052    | 3.15 Amp Fuse                          | X       | X       | X       |
| 22          | 8201-129    | Defrost Control Board                  | X       | X       | X       |
| 23          | 910-1790    | Defrost Sensor                         | X       | X       | X       |
| 24          | 8408-043    | Fan Control Thermistor                 | X       | X       | X       |
| NS          | 116-332     | Contactora Isolation Plate             | X       | X       | X       |
| NS          | 5451-025    | Rubber Grommet                         | 4       | 4       | 4       |
| NS          | 5451-026    | Nylon Flanged Bushing                  | 4       | 4       | 4       |

# CONTROL PANEL COMPONENTS — 3 PHASE

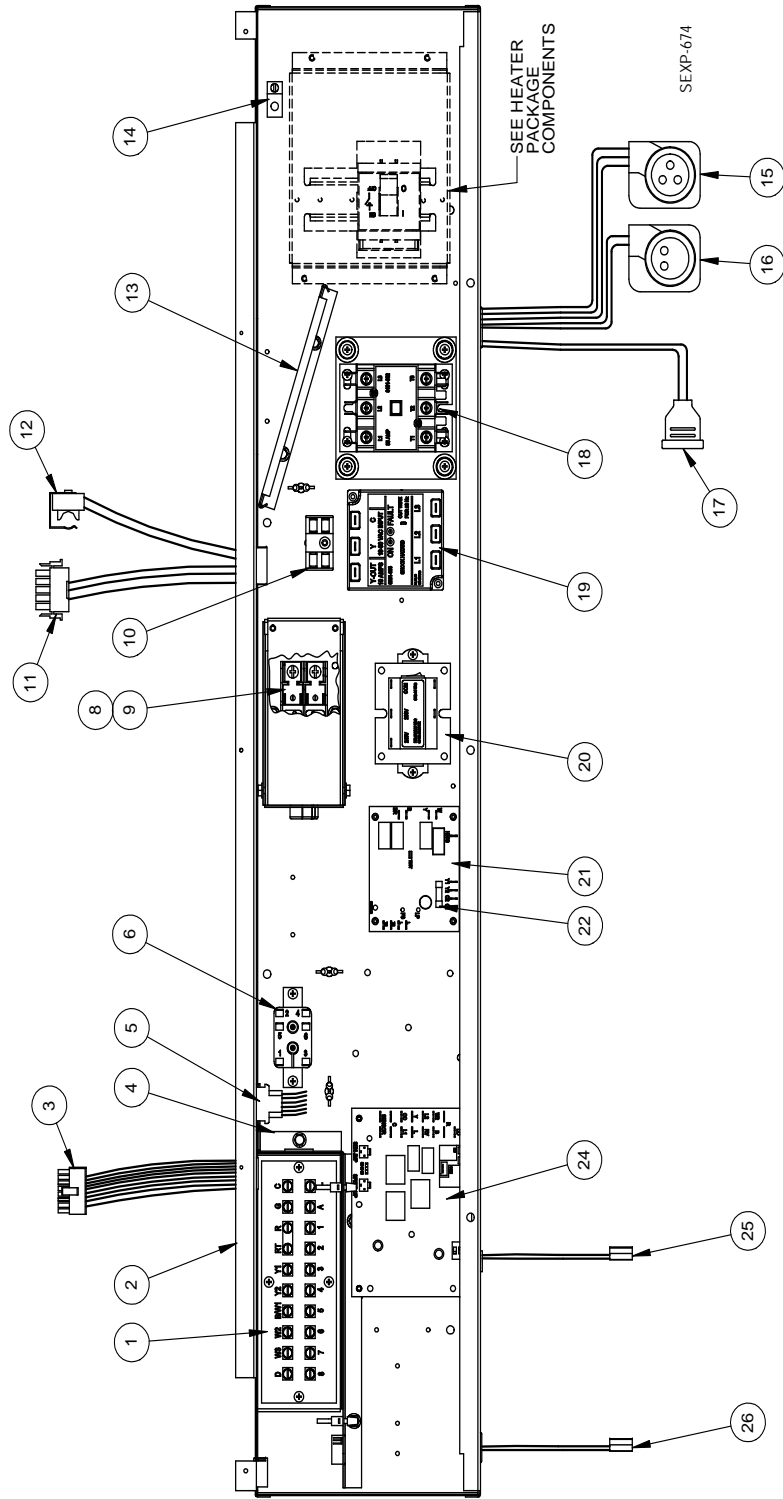


## CONTROL PANEL COMPONENTS — 3 PHASE

---

| Drawing No. | Part Number | Description                            | I36Z1-B | I48Z1-B | I60Z1-B |
|-------------|-------------|--|---------|---------|---------|
| 1           | 8607-032    | Low Voltage Terminal Strip             | X       | X       | X       |
| 2           | 517-318     | Control Panel                          | X       | X       | X       |
| 3           | 3000-1396   | 16 Pin 24V Indoor Blower Motor Control | X       | X       | X       |
| 4           | 117-319     | Low Voltage Terminal Box               | X       | X       | X       |
| 5           | 3000-1397   | 6 Pin Electric Heat                    | X       | X       | X       |
| 6           | 8201-015    | Relay                                  | X       | X       | X       |
| 8           | 3000-1398   | 5 Pin Indoor Blower Motor Power        | X       | X       | X       |
| 9           | 8408-038    | Freeze Protect Thermostat              | X       | X       | X       |
| 10          | 135-319     | Wire Shield                            | X       | X       | X       |
| 11          | 8611-006    | Ground Terminal                        | X       | X       | X       |
| 12          | 3000-1231   | Compressor Power Plug                  | X       | X       | X       |
| 13          | 3000-1223   | Compressor Solenoid Plug               | X       | X       | X       |
| 14          | 5650-044    | Solenoid Valve Plug                    | X       | X       | X       |
| 15          | 8401-002    | Contactora 3 Pole 25 Amp               | X       | X       | X       |
| 16          | 8201-126    | 3-PH Line Monitor                      | X       | X       | X       |
| 17          | 8407-048    | Transformer 75VA with Circuit Breaker  | X       | X       | X       |
| 18          | 8201-128    | Fan Logic Control                      | X       | X       | X       |
| 19          | 8614-052    | 3.15 Amp Fuse                          | X       | X       | X       |
| 21          | 8201-129    | Defrost Control Board                  | X       | X       | X       |
| 22          | 910-1790    | Defrost Sensor                         | X       | X       | X       |
| 23          | 8408-043    | Fan Control Thermistor                 | X       | X       | X       |
| NS          | 116-332     | Contactora Isolation Plate             | X       | X       | X       |
| NS          | 5451-025    | Rubber Grommet                         | 4       | 4       | 4       |
| NS          | 5451-026    | Nylon Flanged Bushing                  | 4       | 4       | 4       |

# CONTROL PANEL COMPONENTS — 460V 3 PHASE

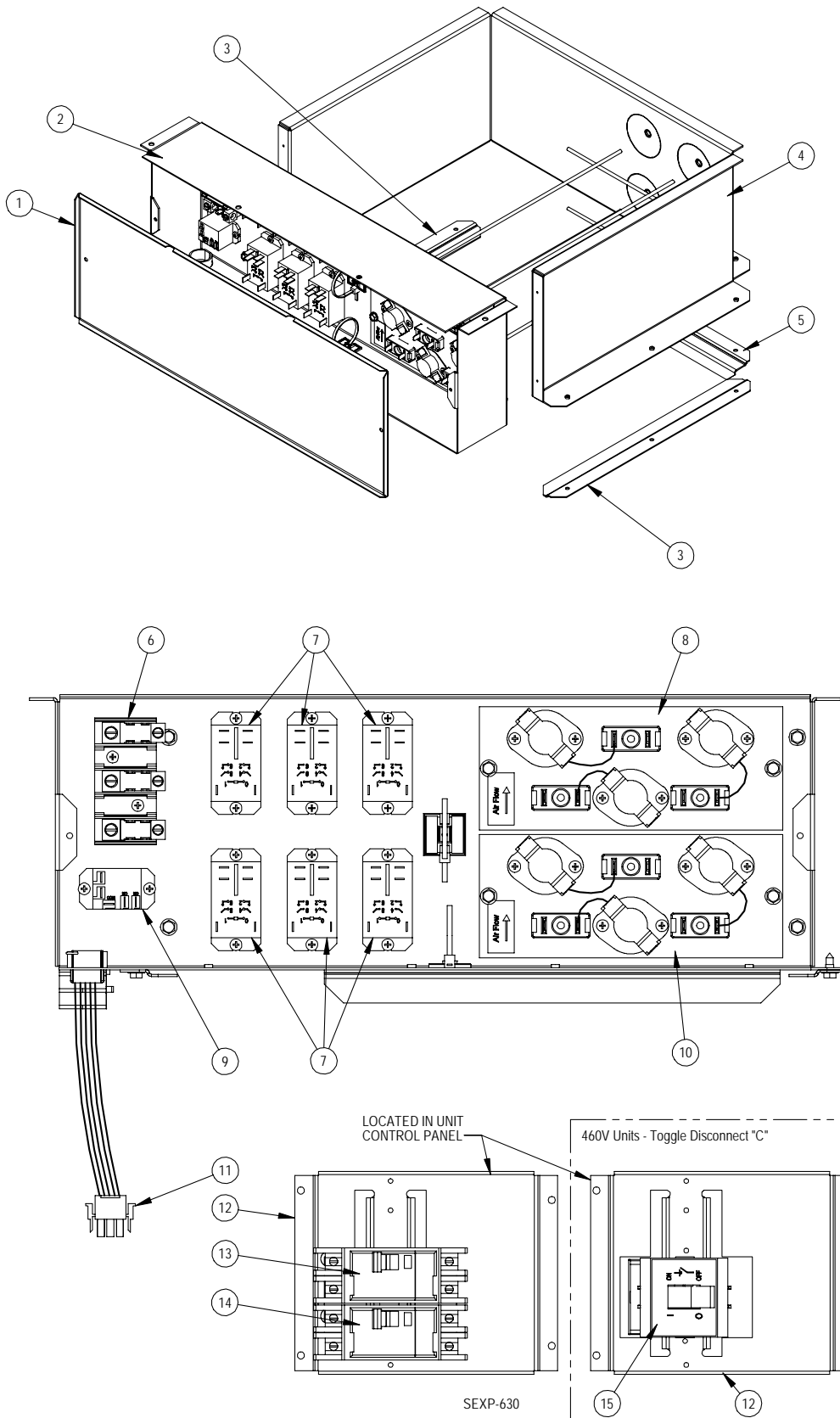


## CONTROL PANEL COMPONENTS — 460V 3 PHASE

| Drawing No. | Part Number                                   | Description                            | I36Z1-C | I48Z1-C | I60Z1-C |
|-------------|---|--|---------|---------|---------|
| 1           | 8607-032                                      | Low Voltage Terminal Strip             | X       | X       | X       |
| 2           | 517-318                                       | Control Panel                          | X       | X       | X       |
| 3           | 3000-1396                                     | 16 pin 24V Indoor Blower Motor Control | X       | X       | X       |
| 4           | 117-319                                       | Low Voltage terminal box               | X       | X       | X       |
| 5           | 3000-1397                                     | 6 Pin Elect. Heat                      | X       | X       | X       |
| 6           | 8201-015                                      | Relay                                  | X       | X       | X       |
| 8           | 8614-041                                      | Fuse Block                             | X       | X       | X       |
| 9           | <i>See Separate Chart (Below) for Item #9</i> |  |         |         |         |
| 10          | 8607-017                                      | Terminal Block                         | X       | X       | X       |
| 11          | 3000-1398                                     | 5 Pin Indoor Blower Motor Power        | X       | X       | X       |
| 12          | 8408-038                                      | Freeze Protect Thermostat              | X       | X       | X       |
| 13          | 135-319                                       | Wire Shield                            | X       | X       | X       |
| 14          | 8611-006                                      | Ground Terminal                        | X       | X       | X       |
| 15          | 3000-1231                                     | Compressor Power Plug                  | X       | X       | X       |
| 16          | 3000-1223                                     | Compressor Solenoid Plug               | X       | X       | X       |
| 17          | 5650-044                                      | Solenoid Valve Plug                    | X       | X       | X       |
| 18          | 8401-002                                      | Contactora 3 Pole 25 Amp               | X       | X       | X       |
| 19          | 8201-126                                      | 3-PH Line Monitor                      | X       | X       | X       |
| 20          | 8407-048                                      | Transformer 75VA with Circuit Breaker  | X       | X       | X       |
| 21          | 8201-128                                      | Fan Logic Control                      | X       | X       | X       |
| 22          | 8614-052                                      | 3.15 Amp Fuse                          | X       | X       | X       |
| 24          | 8201-129                                      | Defrost Control Board                  | X       | X       | X       |
| 25          | 910-1790                                      | Defrost Sensor                         | X       | X       | X       |
| 26          | 8408-043                                      | Fan Control Thermistor                 | X       | X       | X       |
| NS          | 116-332                                       | Contactora Isolation Plate             | X       | X       | X       |
| NS          | 5451-025                                      | Rubber Grommet                         | 4       | 4       | 4       |
| NS          | 5451-026                                      | Nylon Flanged Bushing                  | 4       | 4       | 4       |

|   |         | With Vent                            | No Vent                             |
|---|---------|--------------------------------------|-------------------------------------|
| 9 | I36Z1-C | (2) Part #8614-042 7A Class CC Fuse  | (2) Part #8614-046 5A Class Fuse    |
|   | I48Z1-C | (2) Part #8614-042 7A Class CC Fuse  | (2) Part #8614-046 5A Class CC Fuse |
|   | I60Z1-C | (2) Part #8614-043 10A Class CC Fuse | (2) Part #8614-042 7A Class CC Fuse |

# ELECTRIC HEATER COMPONENTS





# ELECTRIC HEATER COMPONENTS

| Drawing No. | Part Number | Description                        | I36Z1-A0Z | I36Z1-A05 | I36Z1-A10 | I36Z1-A15 | I48Z1-A0Z | I48Z1-A04 | I48Z1-A05 | I48Z1-A10 | I48Z1-A15 | I48Z1-A20 | I60Z1-A0Z | I60Z1-A05 | I60Z1-A10 | I60Z1-A15 | I60Z1-A20 |
|-------------|-------------|------------------------------------|-----------|-----------|-----------|-----------|-----------|-----------|-----------|-----------|-----------|-----------|-----------|-----------|-----------|-----------|-----------|
| 1           | 143-148     | Heater Box Cover                   | X         | X         | X         | X         | X         | X         | X         | X         | X         | X         | X         | X         | X         | X         | X         |
| 2           | 117-313     | Heater Front Plate                 | X         | X         | X         | X         | X         | X         | X         | X         | X         | X         | X         | X         | X         | X         | X         |
| 3           | 103-486     | Side Blower Offset                 | 2         | 2         | 2         | 2         | 2         | 2         | 2         | 2         | 2         | 2         | 2         | 2         | 2         | 2         | 2         |
| 4           | 117-307     | Heater Wrapper                     | X         | X         | X         | X         | X         | X         | X         | X         | X         | X         | X         | X         | X         | X         | X         |
| 5           | 103-487     | Rear Blower Angle                  | X         | X         | X         | X         | X         | X         | X         | X         | X         | X         | X         | X         | X         | X         | X         |
| 7           | 8401-036    | Contactors 2-Pole 30A              |           | X         | 2         | 3         |           | X         | X         | 2         | 3         | 4         |           | X         | 2         | 3         | 4         |
| 8           | 142-159     | Heater Blank Off Plate             | X         | X         | X         |           | X         | X         | X         | X         |           |           | X         | X         | X         |           |           |
| 8           | 8604-135    | Heat Strip 5KW                     |           |           |           | X         |           |           |           |           | X         |           |           |           |           | X         |           |
| 8           | 8604-136    | Heat Strip 10KW                    |           |           |           |           |           |           |           |           |           | X         |           |           |           |           | X         |
| 9           | 8201-130    | Relay                              |           | X         | X         | X         |           | X         | X         | X         | X         | X         |           | X         | X         | X         | X         |
| 10          | 142-159     | Heater Blank Off Plate             | X         |           |           |           | X         |           |           |           |           |           | X         |           |           |           |           |
| 10          | 8604-135    | Heat Strip 5KW                     |           | X         |           |           |           |           | X         |           |           |           |           | X         |           |           |           |
| 10          | 8604-136    | Heat Strip 10KW                    |           |           | X         | X         |           |           |           | X         | X         | X         |           |           | X         | X         | X         |
| 10          | 8604-134    | Heat Strip 4KW                     |           |           |           |           | X         | X         |           |           |           |           |           |           |           |           |           |
| 11          | 3000-1402   | 6-Pin Electric Heater Wire Harness |           | X         | X         | X         |           | X         | X         | X         | X         | X         |           | X         | X         | X         | X         |
| 12          | 127-418     | Circuit Breaker Base               | X         | X         | X         | X         | X         | X         | X         | X         | X         | X         | X         | X         | X         | X         | X         |
| 13          | 8615-037    | Circuit Breaker 30A 2-Pole         |           |           |           |           |           |           | X         |           |           |           |           | X         |           |           |           |
| 13          | 8615-041    | Circuit Breaker 60A 2-Pole         |           |           | X         | X         |           |           |           | X         | X         | X         |           |           | X         | X         | X         |
| 14          | 8615-040    | Circuit Breaker 50A 2-Pole         |           |           |           |           | X         |           | X         |           |           |           |           |           |           |           |           |
| 14          | 8615-055    | Circuit Breaker 40A 2-Pole         | X         |           | X         | X         |           |           |           |           |           |           |           |           |           |           |           |
| 14          | 8615-041    | Circuit Breaker 60A 2-Pole         |           | X         |           |           |           | X         |           |           |           | X         | X         | X         | X         | X         | X         |
| 14          | 8615-039    | Circuit Breaker 45A 2-Pole         |           |           |           |           |           |           |           | X         | X         |           |           |           |           |           |           |
| NS          | 4203-100    | Wiring Diagram                     | X         |           |           |           | X         |           |           |           |           |           | X         |           |           |           |           |
| NS          | 4203-101    | Wiring Diagram                     |           | X         |           |           |           | X         |           |           |           |           |           |           |           |           |           |
| NS          | 4203-103    | Wiring Diagram                     |           |           | X         |           |           |           |           | X         |           |           |           |           | X         |           |           |
| NS          | 4203-104    | Wiring Diagram                     |           |           |           | X         |           |           |           |           | X         |           |           |           |           | X         |           |
| NS          | 4203-102    | Wiring Diagram                     |           |           |           |           |           |           | X         |           |           |           |           | X         |           |           |           |
| NS          | 4203-105    | Wiring Diagram                     |           |           |           |           |           |           |           |           |           | X         |           |           |           |           | X         |

NS = Not Shown

# ELECTRIC HEATER COMPONENTS

| Drawing No. | Part Number | Description                        | I36Z1-B0Z | I36Z1-B06 | I36Z1-B09 | I36Z1-B15 | I48Z1-B0Z | I48Z1-B06 | I48Z1-B09 | I48Z1-B15 | I48Z1-B18 | I60Z1-B0Z | I60Z1-B06 | I60Z1-B09 | I60Z1-B15 | I60Z1-B18 |
|-------------|-------------|------------------------------------|-----------|-----------|-----------|-----------|-----------|-----------|-----------|-----------|-----------|-----------|-----------|-----------|-----------|-----------|
| 1           | 143-148     | Heater Box Cover                   | X         | X         | X         | X         | X         | X         | X         | X         | X         | X         | X         | X         | X         | X         |
| 2           | 117-313     | Heater Front Plate                 | X         | X         | X         | X         | X         | X         | X         | X         | X         | X         | X         | X         | X         | X         |
| 3           | 103-486     | Side Blower Offset                 | 2         | 2         | 2         | 2         | 2         | 2         | 2         | 2         | 2         | 2         | 2         | 2         | 2         | 2         |
| 4           | 117-307     | Heater Wrapper                     | X         | X         | X         | X         | X         | X         | X         | X         | X         | X         | X         | X         | X         | X         |
| 5           | 103-487     | Rear Blower Angle                  | X         | X         | X         | X         | X         | X         | X         | X         | X         | X         | X         | X         | X         | X         |
| 6           | 8607-014    | Terminal Block                     |           |           |           |           |           |           |           |           | X         |           |           |           |           | X         |
| 7           | 8401-036    | Contactora 2-Pole 30A              |           | 3         | 3         | 6         |           | 3         | 3         | 6         | 6         |           | 3         | 3         | 6         | 6         |
| 8           | 142-159     | Heater Blank Off Plate             | X         | X         | X         |           | X         | X         | X         |           |           | X         | X         | X         |           |           |
| 8           | 8604-137    | Heat Strip 6KW                     |           |           |           | X         |           |           |           | X         |           |           |           |           | X         |           |
| 8           | 8604-138    | Heat Strip 9KW                     |           |           |           |           |           |           |           |           | X         |           |           |           |           | X         |
| 9           | 8201-130    | Relay                              |           | X         | X         | X         |           | X         | X         | X         | X         |           | X         | X         | X         | X         |
| 10          | 142-159     | Heater Blank Off Plate             | X         |           |           |           | X         |           |           |           |           | X         |           |           |           |           |
| 10          | 8604-137    | Heat Strip 6KW                     |           | X         |           |           |           | X         |           |           |           |           | X         |           |           |           |
| 10          | 8604-138    | Heat Strip 9KW                     |           |           | X         | X         |           | X         | X         | X         |           |           |           | X         | X         | X         |
| 11          | 3000-1402   | 6-Pin Electric Heater Wire Harness |           | X         | X         | X         |           | X         | X         | X         | X         |           | X         | X         | X         | X         |
| 12          | 127-418     | Circuit Breaker Base               |           | X         | X         | X         | X         | X         | X         | X         | X         | X         | X         | X         | X         | X         |
| 13          | 8615-046    | Circuit Breaker 60A 3-Pole         |           |           |           | X         |           |           |           | X         |           |           |           |           | X         | X         |
| 14          | 8615-042    | Circuit Breaker 35A 3-Pole         |           |           |           |           | X         |           |           |           |           |           |           |           |           |           |
| 14          | 8615-052    | Circuit Breaker 30A 3-Pole         | X         |           |           |           |           |           |           |           |           |           |           |           |           |           |
| 14          | 8615-044    | Circuit Breaker 45A 3-Pole         |           | X         |           | X         |           |           |           | X         |           | X         |           |           | X         | X         |
| 14          | 8615-045    | Circuit Breaker 50A 3-Pole         |           |           | X         |           |           | X         |           |           |           |           | X         | X         |           |           |
| 14          | 8615-046    | Circuit Breaker 60A 3-Pole         |           |           |           |           |           |           | X         |           | X         |           | X         | X         |           |           |
| NS          | 4203-200    | Wiring Diagram                     | X         |           |           |           | X         |           |           |           |           | X         |           |           |           |           |
| NS          | 4203-201    | Wiring Diagram                     |           | X         | X         |           |           | X         | X         |           |           |           | X         | X         |           |           |
| NS          | 4203-202    | Wiring Diagram                     |           |           |           | X         |           |           |           | X         | X         |           |           |           | X         |           |
| NS          | 4203-203    | Wiring Diagram                     |           |           |           |           |           |           |           |           |           |           |           |           |           | X         |

NS = Not Shown

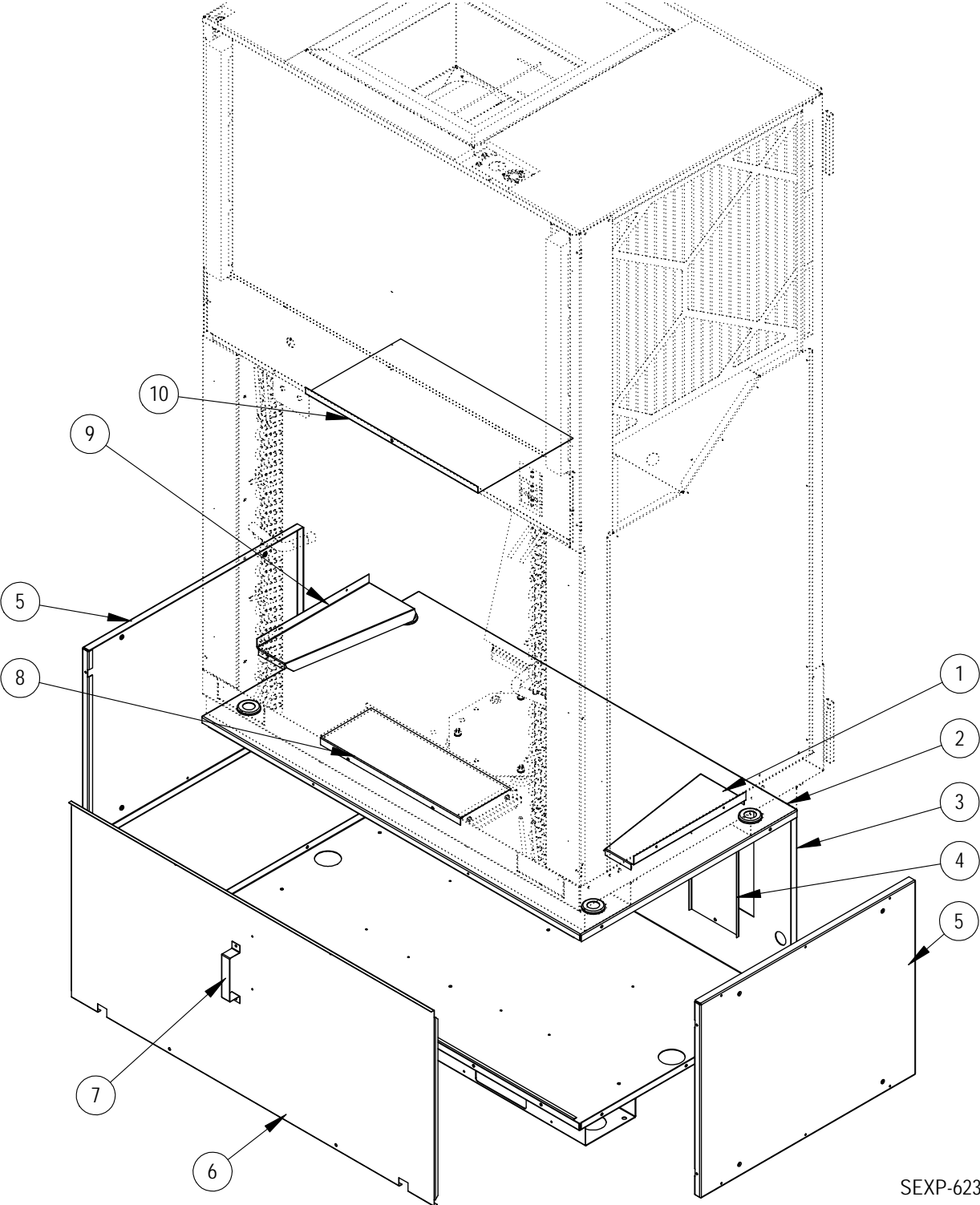
# ELECTRIC HEATER COMPONENTS

| Drawing No. | Part Number                                    | Description                        | I36Z1-C0Z | I36Z1-C06 | I36Z1-C09 | I36Z1-C15 | I48Z1-C0Z | I48Z1-C06 | I48Z1-C09 | I48Z1-C15 | I48Z1-C18 | I60Z1-C0Z | I60Z1-C06 | I60Z1-C09 | I60Z1-C15 | I60Z1-C18 |
|-------------|--|------------------------------------|-----------|-----------|-----------|-----------|-----------|-----------|-----------|-----------|-----------|-----------|-----------|-----------|-----------|-----------|
| 1           | 143-148  | Heater Box Cover                   | X         | X         | X         | X         | X         | X         | X         | X         | X         | X         | X         | X         | X         | X         |
| 2           | 117-313  | Heater Front Plate                 | X         | X         | X         | X         | X         | X         | X         | X         | X         | X         | X         | X         | X         | X         |
| 3           | 103-486  | Side Blower Offset                 | 2         | 2         | 2         | 2         | 2         | 2         | 2         | 2         | 2         | 2         | 2         | 2         | 2         | 2         |
| 4           | 117-307  | Heater Wrapper                     | X         | X         | X         | X         | X         | X         | X         | X         | X         | X         | X         | X         | X         | X         |
| 5           | 103-487  | Rear Blower Angle                  | X         | X         | X         | X         | X         | X         | X         | X         | X         | X         | X         | X         | X         | X         |
| 6           | 8607-014                                       | Terminal Block                     |           |           |           | X         |           |           |           |           |           |           |           |           | X         |           |
| 7           | 8401-036                                       | Contactor 2-Pole 30A               |           | 2         | 2         | 6         |           | 2         | 2         | 6         | 4         |           | 2         | 2         | 6         | 4         |
| 8           | 142-159  | Heater Blank Off Plate             | X         | X         | X         |           | X         | X         | X         |           |           | X         | X         | X         |           |           |
| 8           | 8604-139                                       | Heat Strip 6KW                     |           |           |           | X         |           |           |           | X         |           |           |           |           | X         |           |
| 8           | 8604-140                                       | Heat Strip 9KW                     |           |           |           |           |           |           |           |           |           |           |           |           |           | X         |
| 9           | 8201-130                                       | Relay                              |           | X         | X         | X         |           | X         | X         |           | X         | X         | X         |           |           | X         |
| 10          | 142-159  | Heater Blank Off Plate             | X         |           |           |           | X         |           |           |           |           | X         |           |           |           |           |
| 10          | 8604-139                                       | Heat Strip 6KW                     |           | X         |           |           |           | X         |           |           |           |           | X         |           |           |           |
| 10          | 8604-140                                       | Heat Strip 9KW                     |           |           | X         | X         |           |           | X         | X         | X         |           |           | X         | X         | X         |
| 11          | 3000-1402                                      | 6-Pin Electric Heater Wire Harness |           | X         | X         | X         |           | X         | X         | X         | X         |           | X         | X         | X         | X         |
| 12          | 127-418  | Circuit Breaker Base               | X         | X         | X         | X         | X         | X         | X         | X         | X         | X         | X         | X         | X         | X         |
| 14          | <i>See Separate Chart (Below) for Item #14</i> |                                    |           |           |           |           |           |           |           |           |           |           |           |           |           |           |
| 15          | 8615-067                                       | Toggle Disconnect 40A 460V         | X         | X         | X         | X         | X         | X         | X         | X         | X         | X         | X         | X         | X         | X         |
| NS          | 4203-300                                       | Wiring Diagram                     | X         |           |           |           | X         |           |           |           |           | X         |           |           |           |           |
| NS          | 4203-301                                       | Wiring Diagram                     |           | X         | X         |           |           | X         | X         |           |           |           | X         | X         |           |           |
| NS          | 4203-302                                       | Wiring Diagram                     |           |           |           | X         |           |           |           | X         | X         |           |           |           | X         | X         |

NS = Not Shown

|    |          |                     | I36Z1CC0Z | I36Z1CC06 | I36Z1CC09 | I36Z1CC15 | I48Z1CC0Z | I48Z1CC06 | I48Z1CC09 | I48Z1CC15 | I48Z1CC18 | I60Z1CC0Z | I60Z1CC06 | I60Z1CC09 | I60Z1CC15 | I60Z1CC18 |
|----|----------|---------------------|-----------|-----------|-----------|-----------|-----------|-----------|-----------|-----------|-----------|-----------|-----------|-----------|-----------|-----------|
| 14 | 8615-062 | Circuit Breaker 15A | X         |           |           |           |           |           |           |           |           |           |           |           |           |           |
|    | 8615-063 | Circuit Breaker 20A |           | X         |           |           | X         |           |           |           |           | X         |           |           |           |           |
|    | 8615-064 | Circuit Breaker 25A |           |           | X         |           |           |           |           |           |           |           |           |           |           |           |
|    | 8615-065 | Circuit Breaker 30A |           |           |           | X         |           | X         | X         | X         | X         |           | X         | X         | X         | X         |

# VENT BOX (ONLY) COMPONENTS



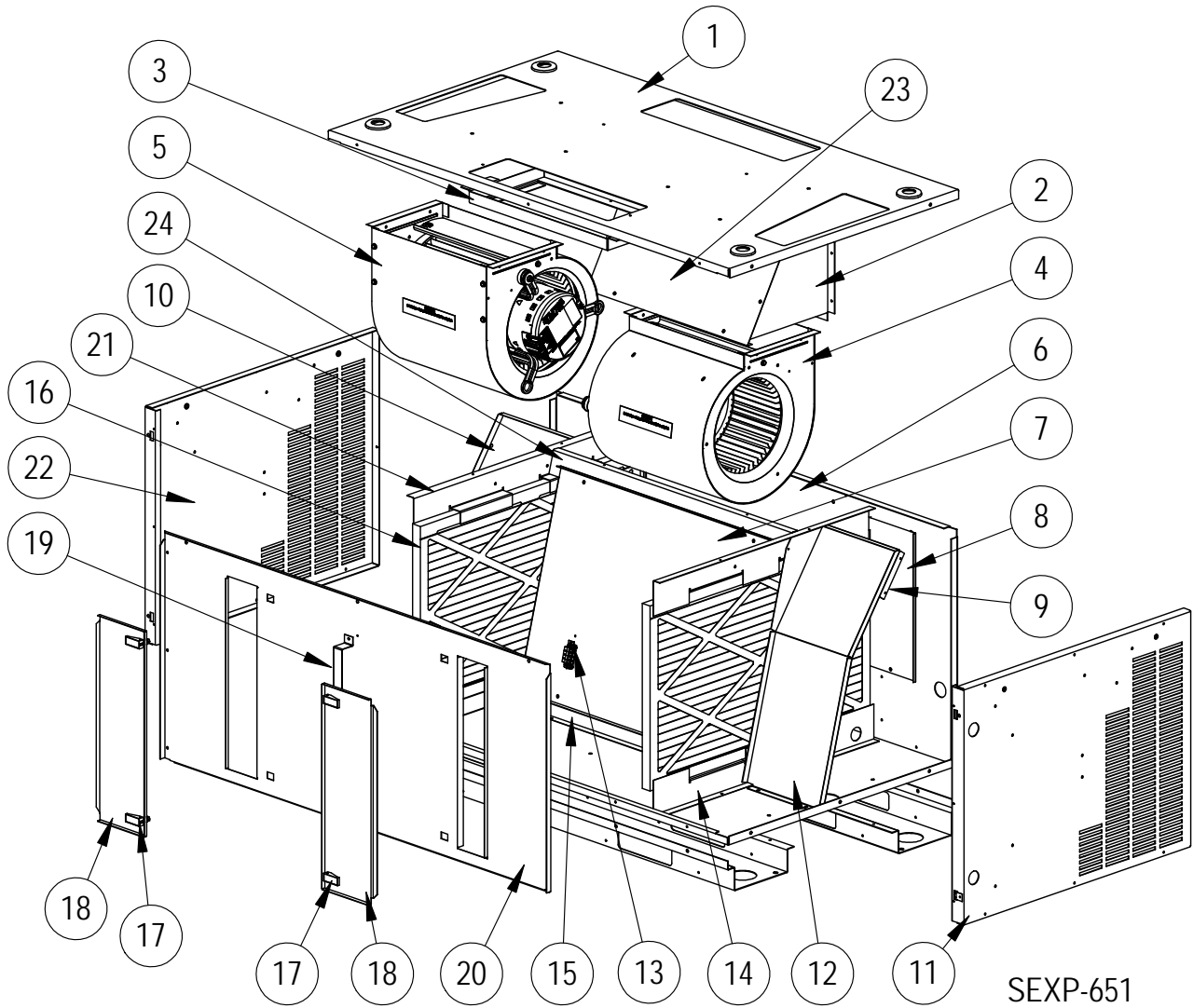
SEXP-623

## VENT BOX (ONLY) COMPONENTS

---

| <b>Drawing No.</b> | <b>Part Number</b> | <b>Description</b>     | <b>Vent Box Only</b> |
|--------------------|--------------------|------------------------|----------------------|
| 1                  | S143X164           | Right Side Intake Fill | X                    |
| 2                  | 507-298            | Vent Box Top           | X                    |
| 3                  | S527-419           | Vent Box Base          | X                    |
| 4                  | 543-158            | Drain Access Plate     | 2                    |
| 5                  | S501-639           | Vent Box Side          | 2                    |
| 6                  | 553-508            | Vent Box Door          | X                    |
| 7                  | 113-441            | Door Latch Bracket     | X                    |
| 8                  | S143-160           | Lower Intake Fill      | X                    |
| 9                  | S143Y164           | Left Side Intake Fill  | X                    |
| 10                 | S143-161           | Upper Intake Fill      | X                    |

# CRV COMPONENTS



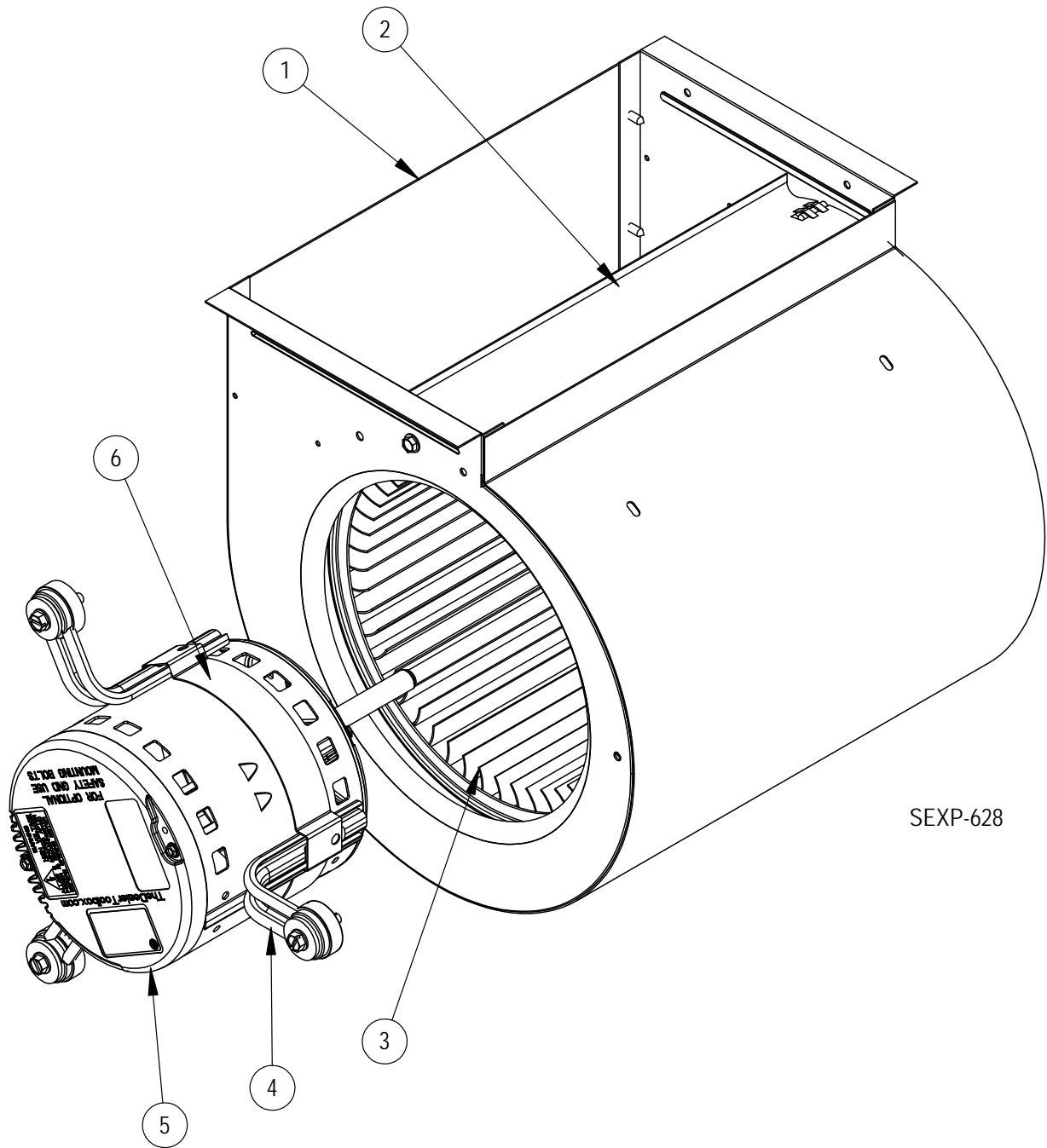
# CRV COMPONENTS

| Drawing No. | Part Number | Description                   | No. Required |
|-------------|-------------|-------------------------------|--------------|
| 1           | S507-297    | VENT BOX TOP                  | 1            |
| 2           | 103-489     | REAR BLOWER OFFSET            | 1            |
| 3           | 103-488     | FRONT BLOWER OFFSET           | 1            |
| 4           | 900-318-003 | EXHAUST BLOWER ASSY           | 1            |
| 5           | 900-318-004 | INTAKE BLOWER ASSY            | 1            |
| 6           | S527-419    | VENT BOX BASE                 | 1            |
| 7           | 521-476     | CENTER PARTITION              | 1            |
| 8           | 543-158     | DRAIN ACCESS PLATE            | 2            |
| 9           | 105-1290    | PARTITION ANGLE               | 2            |
| 10          | 521-477     | LEFT SIDE PARTITION           | 1            |
| 11          | 501-706     | RIGHT SIDE                    | 1            |
| 12          | 521-478     | RIGHT SIDE PARTITION          | 1            |
| 13          | S910-1809   | TERMINAL BLOCK ASSEMBLY       | 1            |
| 14          | 113-477     | LOWER FILTER BRACKET          | 2            |
| 15          | 105-1291    | LOWER PARTITION SUPPORT ANGLE | 1            |
| 16          | 7004-011    | 16 X 25 FILTER                | 2            |
| 17          | 1171-053    | SWELL LATCH                   | 4            |
| 18          | 553-534     | FILTER DOOR                   | 2            |
| 19          | 113-441     | DOOR LATCH BRACKET            | 1            |
| 20          | 553-533     | BLOWER DOOR                   | 1            |
| 21          | 113-478     | UPPER FILTER BRACKET          | 2            |
| 22          | 501-707     | LEFT SIDE                     | 1            |
| 23          | 137-671     | REAR BLOWER FILL PLATE        | 1            |
| 24          | 105-1292    | UPPER PARTITION SUPPORT ANGLE | 1            |

NS = Not Shown

# CRV BLOWER COMPONENTS

---



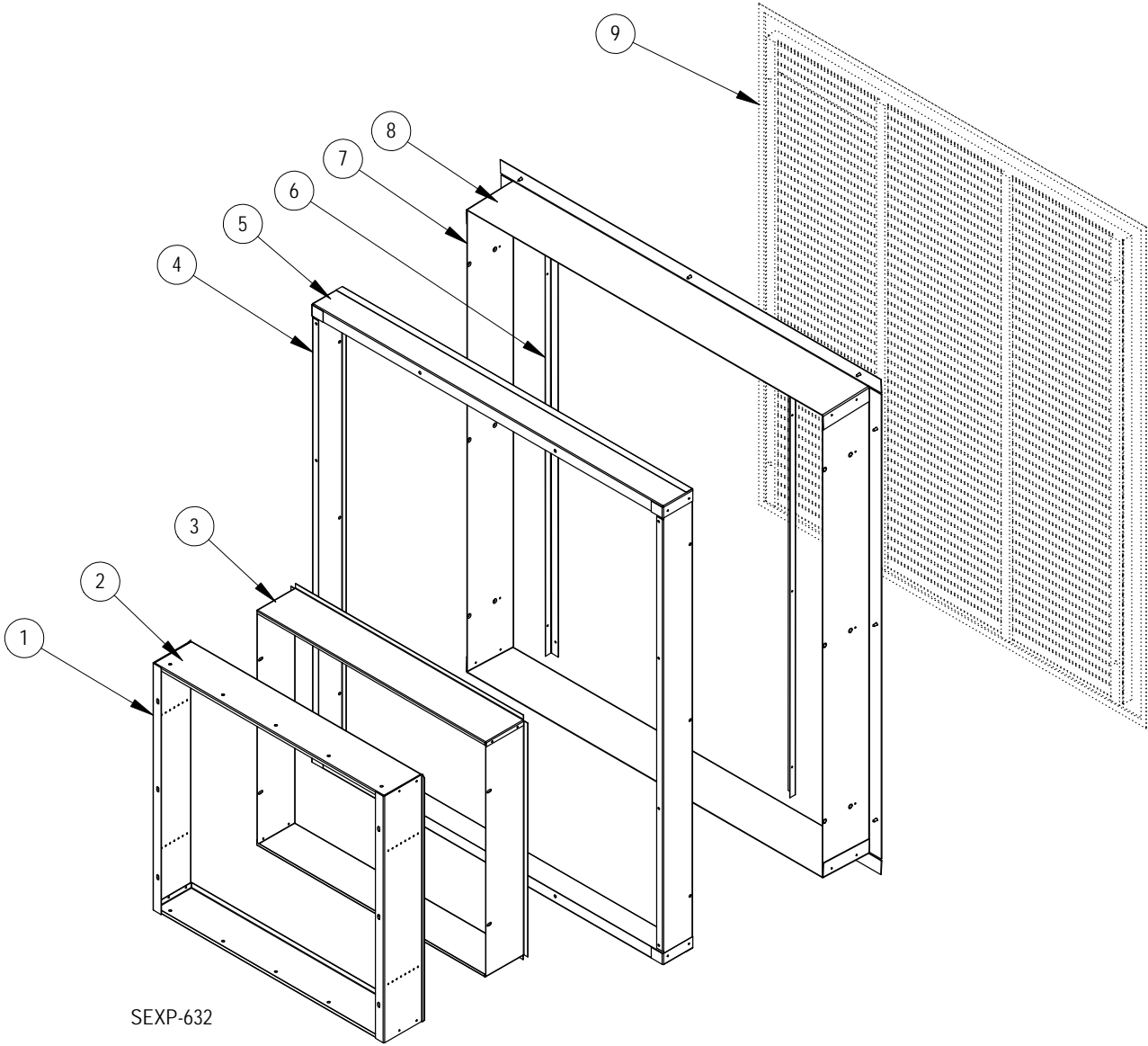


# CRV BLOWER COMPONENTS

---

| Drawing No. | Part Number    | Description                           | 900-318-003 | 900-318-004 |
|-------------|----------------|---------------------------------------|-------------|-------------|
| 1           | 151-124        | Blower Housing                        | X           | X           |
| 2           | 144-129        | Diffuser                              | X           | X           |
| 3           | 5152-067       | Blower Wheel                          | X           | X           |
| 4           | 8200-046       | Motor Mount Arm                       | 3           | 3           |
| 5           | S8105-056-0112 | 1/3 HP Programmed Motor – CRV Exhaust |             | X           |
| 5           | S8105-056-0111 | 1/3 HP Programmed Motor – CRV Intake  | X           |             |
| 6           | 8200-033       | Motor Mount Band                      | X           | X           |

# SLEEVE COMPONENTS



SEXP-632

# SLEEVE COMPONENTS

| Drawing No. | Part Number         | Description                            | IWS-A | IWS-B | IWS-C |
|-------------|---------------------|--|-------|-------|-------|
| 1           | S111-188-8 4½" Deep | Outer Sleeve Side                      | X     |       |       |
| 1           | S111-195-8 7" Deep  | Outer Sleeve Side                      |       | X     |       |
| 1           | S111-202-8 12" Deep | Outer Sleeve Side                      |       |       | X     |
| 2           | S111-187-8 4½" Deep | Outer Sleeve End                       | X     |       |       |
| 2           | S111-194-8 7" Deep  | Outer Sleeve End                       |       | X     |       |
| 2           | S111-201-8 12" Deep | Outer Sleeve End                       |       |       | X     |
| 3           | 111-189-8 4½" Deep  | Inner Fan Sleeve Side                  | 2     |       |       |
| 3           | 111-196-8 7" Deep   | Inner Fan Sleeve Side                  |       | 2     |       |
| 3           | 111-203-8 12" Deep  | Inner Fan Sleeve Side                  |       |       | 2     |
| 4           | 111-186-8 3½" Deep  | Inner Sleeve Side                      | X     |       |       |
| 4           | 111-193-8 6" Deep   | Inner Sleeve Side                      |       | X     |       |
| 4           | 111-200-8 11" Deep  | Inner Sleeve Side                      |       |       | X     |
| 5           | 111-185-8 3½" Deep  | Inner Sleeve End                       | X     |       |       |
| 5           | 111-192-8 6" Deep   | Inner Sleeve End                       |       | X     |       |
| 5           | 111-199-8 11" Deep  | Inner Sleeve End                       |       |       | X     |
| 6           | 105-1257-8          | Grille Support Angle                   | 2     | 2     | 2     |
| 7           | 111-184-8 5½" Deep  | Outer Sleeve Side                      | X     |       |       |
| 7           | 111-191-8 8" Deep   | Outer Sleeve Side                      |       | X     |       |
| 7           | 111-198-8 13" Deep  | Outer Sleeve Side                      |       |       | X     |
| 8           | 111-183-8 5½" Deep  | Outer Sleeve End                       | X     |       |       |
| 8           | 111-190-8 8" Deep   | Outer Sleeve End                       |       | X     |       |
| 8           | 111-197-8 13" Deep  | Outer Sleeve End                       |       |       | X     |
| 9           | ILG-10              | Outdoor Louver Grille - Clear anodized | X     | X     | X     |
| 9           | ILG-20              | Outdoor Louver Grille - Medium Bronze  | X     | X     | X     |
| 9           | ILG-30              | Outdoor Louver Grille - Dark Bronze    | X     | X     | X     |

*This page intentionally left blank.*

*This page intentionally left blank.*