

REPLACEMENT PARTS MANUAL

I-TEC SERIES PACKAGED AIR CONDITIONER

Models:

I30A1D

I36A1D

I42A1D

I48A1D

I60A1D

General Notes

- Revised and/or additional pages may be issued from time to time.
- A complete and current manual consists of pages shown in the following contents section.

Important

- Contact the installing and/or local Bard distributor for all parts requirements. Make sure you have the complete model and serial number available from the unit rating plates.

| Description | Page |
|---|---------|
| Wiring Diagram Charts | |
| ♦ Matrix | 2 |
| Cabinet Components | |
| ♦ Exploded View | 4 |
| ♦ Usage List | 5 |
| Painted Cabinet Components | |
| ♦ Exploded View | 6 |
| ♦ Usage List | 7 |
| Functional Components | |
| ♦ Exploded View | 8 |
| ♦ Usage List..... | 9 |
| ♦ Usage List..... | 10 |
| Blower Assembly | |
| ♦ Exploded View | 11 |
| ♦ Usage List..... | 11 |
| Control Panel Components - 1 Phase | |
| ♦ Exploded View | 12 |
| ♦ Usage List..... | 13 |
| Control Panel Components - 3 Phase | |
| ♦ Exploded View | 14 |
| ♦ Usage List..... | 15 |
| Control Panel Components - 460V 3 Phase | |
| ♦ Exploded View | 16 |
| ♦ Usage List..... | 17 |
| Electric Heater Components | |
| ♦ Exploded View | 18 |
| ♦ Usage List..... | 19 - 21 |
| Vent Box (Only) Components | |
| ♦ Exploded View | 22 |
| ♦ Usage List..... | 23 |
| CRV Components | |
| ♦ Exploded View | 24 |
| ♦ Usage List..... | 25 |
| ERV Components | |
| ♦ Exploded View | 26 |
| ♦ Usage List..... | 27 |
| ERV Control Panel Components | |
| ♦ Exploded View | 28 |
| ♦ Usage List..... | 29 |
| ERV Cassette Components | |
| ♦ Exploded View | 30 |
| ♦ Usage List..... | 31 |
| CRV / ERV Blower Components | |
| ♦ Exploded View | 32 |
| ♦ Usage List..... | 33 |
| Sleeve Components | |
| ♦ Exploded View | 34 |
| ♦ Usage List..... | 35 |
| Riser Platform Components | |
| ♦ Exploded View | 36 |
| ♦ Usage List..... | 37 |



Bard Manufacturing Company, Inc.
 Bryan, Ohio 43506
Since 1914...Moving ahead, just as planned.

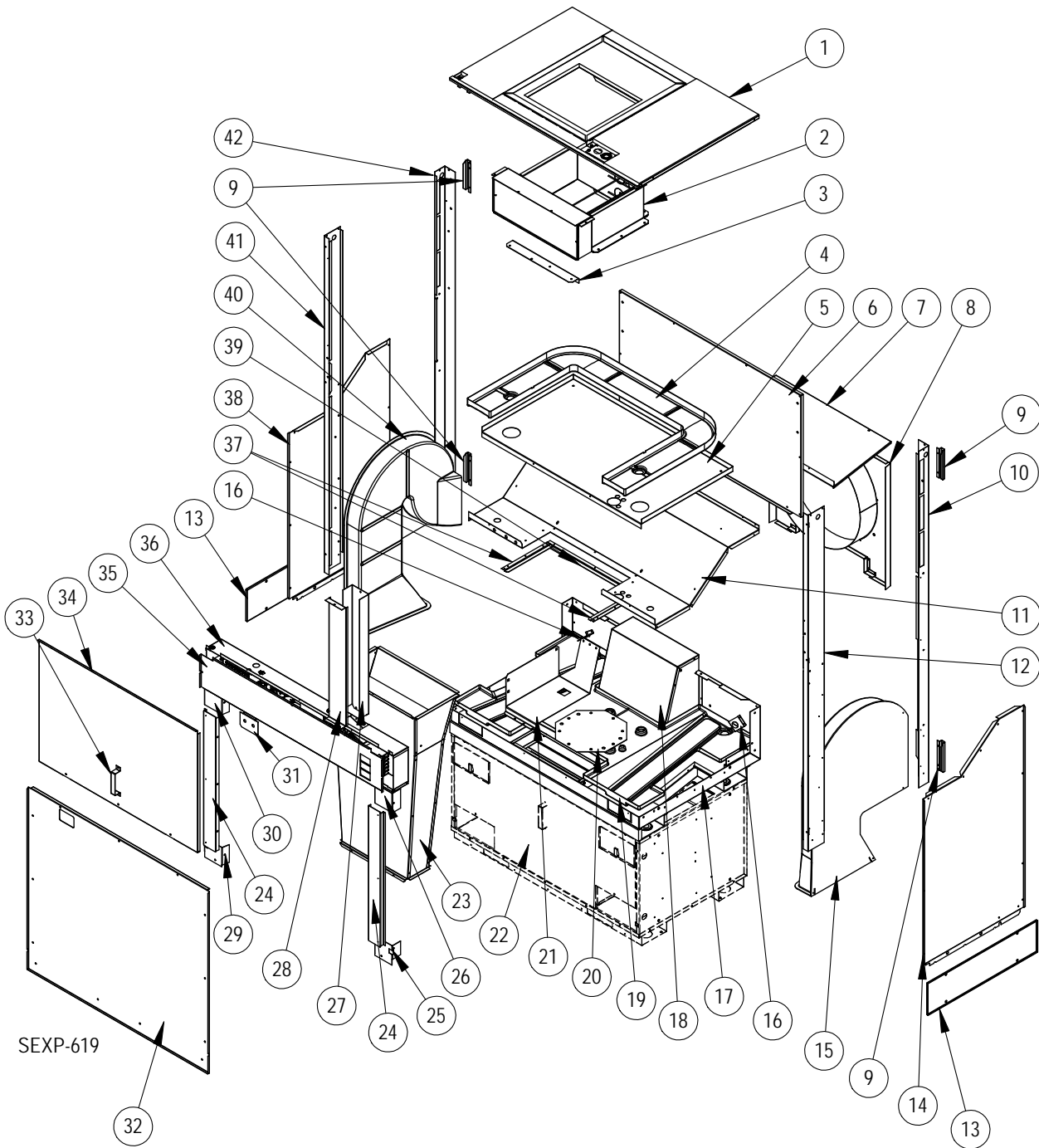
Manual: 2110-593A
 Supersedes: 2110-593
 File: Tab 16
 Date: 11-01-13

I**A1D SERIES WIRING DIAGRAM MATRIX

| Model | Wiring Diagram | Ventilation Package | Wiring Diagram | Heater | Wiring Diagram |
|---------|----------------|----------------------------|----------------|--------|----------------|
| I36A1DC | 4205-300A | Commercial Room Ventilator | 4204-103A | 0KW | 4203-300A |
| | | Energy Recovery Ventilator | 4204-104B | 6KW | 4203-301B |
| | | Economizer | 4204-105 | 9KW | 4203-301B |
| I48A1DC | 4205-300A | Commercial Room Ventilator | 4204-103A | 0KW | 4203-300A |
| | | Energy Recovery Ventilator | 4204-104B | 6KW | 4203-301B |
| | | Economizer | 4204-105 | 9KW | 4203-301B |
| | | | | 15KW | 4203-302B |
| I60A1DC | 4205-300A | Commercial Room Ventilator | 4204-103A | 0KW | 4203-300A |
| | | Energy Recovery Ventilator | 4204-104B | 6KW | 4203-301B |
| | | Economizer | 4204-105 | 9KW | 4203-301B |
| | | | | 15KW | 4203-302B |
| | | | | 18KW | 4203-302B |

This page intentionally left blank.

CABINET COMPONENTS

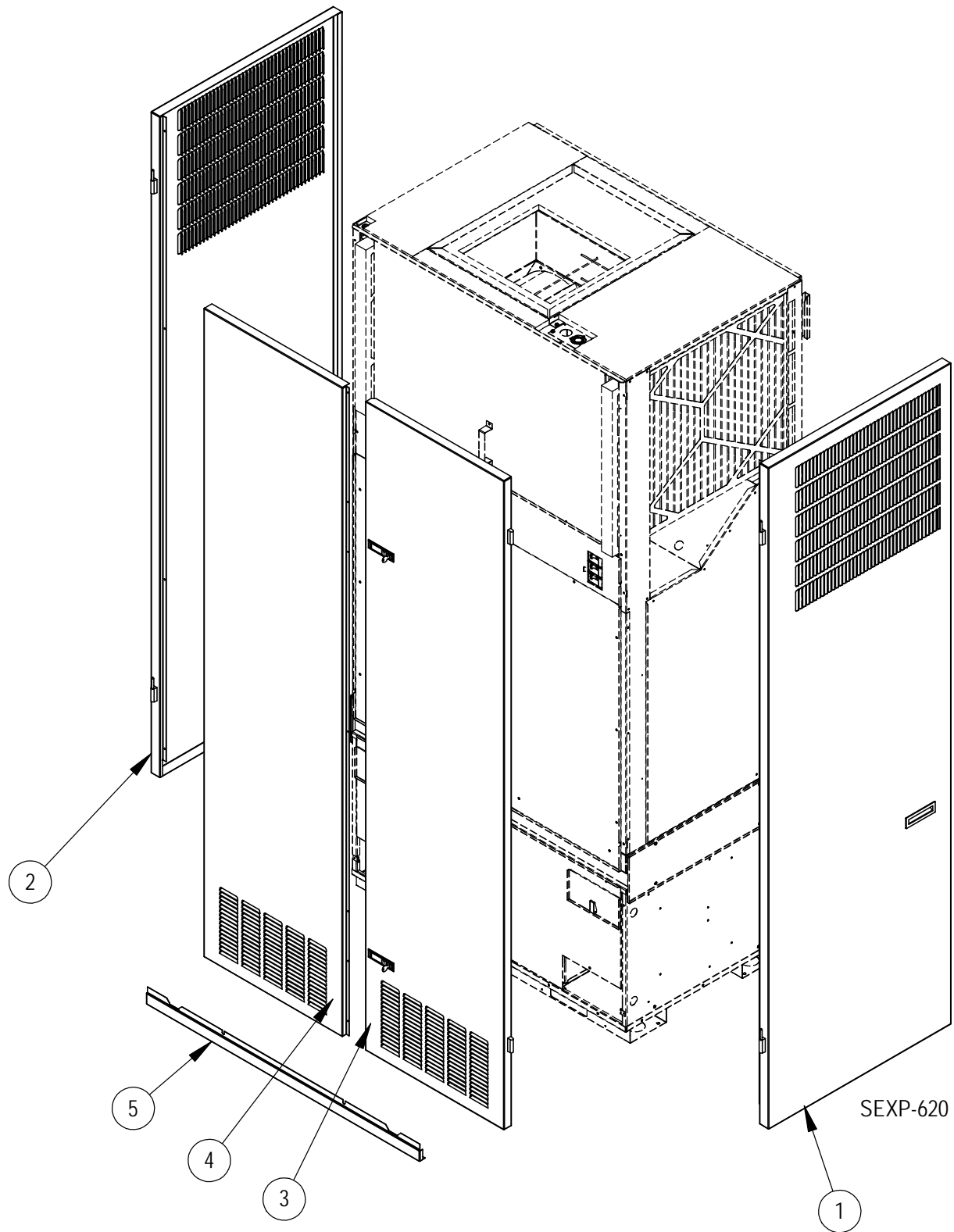


CABINET COMPONENTS

| Drawing No. | Part Number | Description | All Models |
|-------------|---------------------------|---|------------|
| 1 | S507-296 | Top Assembly | X |
| 2 | See Heater Pkg. Section | Heater Package | X |
| 3 | 105-1256 | Front blower angle | X |
| 4 | 6096-001 | Indoor drain pan | X |
| 5 | S141-383 | Evap. Coil Support | X |
| 6 | 509-259-8 | Unit Back Assembly | X |
| 7 | S137-641 | Cond. Coil Top Fill | X |
| 8 | S125-065 | Fan Shroud/Venturi Assembly | X |
| 9 | 113-439 | Side Bracket | 4 |
| 10 | S149-120 | Right Rear Corner | X |
| 11 | S121-456 | Condenser Partition | X |
| 12 | S149-123 | Right Front Corner | X |
| 13 | S113-438 | Unit Connection Bracket | 2 |
| 14 | S101X635 | Right Inner Side Panel | X |
| 15 | S7001-024 | Right Hand Inlet Duct (used on CRV & ERV units only) | X |
| 16 | 113-429 | Evap. Drain Tube Bracket | 2 |
| 17 | S127-416 | Condenser Base Assembly | X |
| 18 | S921-0003 | Exhaust Duct Assembly | X |
| 19 | 6096-002 | Outdoor Drain Pan | X |
| 20 | 126-417 | Compressor Mounting Base | X |
| 21 | 113-445 | 460V trans. Mtg brkt. (I36-42-48) | X |
| | 113-449 | 460V trans. Mtg brkt. (I60 Only) | X |
| 22 | See Vent Section | Vent Option | X |
| 23 | 511-177 | Intake Duct Assembly (used on CRV and ERV units only) | X |
| 24 | S141-391 | Condenser Coil Access Door | X |
| 25 | S141X390 | Lower Right Condenser Coil Support | X |
| 26 | S141X389 | Upper Right Condenser Coil Support | X |
| 27 | 165-599 | High Voltage Wire Channel | X |
| 28 | 143-157 | High Voltage Wire Channel Cover | X |
| 29 | S141Y390 | Lower Left Condenser Coil Support | X |
| 30 | S141Y389 | Upper Left Condenser Coil Support | X |
| 31 | S113-440 | Dual Service Port Bracket | X |
| 32 | S553-498 | Condenser Door | X |
| 33 | 113-441 | Door Latch Bracket | X |
| 34 | S553-496 | Evaporator Door | X |
| 35 | S153-497 | Control Panel Door (230V Units) | X |
| | S153-501 | Control Panel Door (460V Units) | X |
| 36 | See Control Panel Section | Control Panel | X |
| 37 | 103-493 | Cond. Partition Side Offset | 2 |
| 38 | S101Y635 | Left Inner Side Panel | X |
| 39 | 103-494 | Cond. Partition Rear Offset | X |
| 40 | S7001-025 | Left Hand Inlet Duct (used on CRV & ERV units only) | X |
| 41 | S149-121 | Left Front Corner | X |
| 42 | S149-122 | Left Rear Corner | X |
| NS | S113-426 | Top Mounting Bracket | X |

NS = Not Shown

PAINTED CABINET COMPONENTS



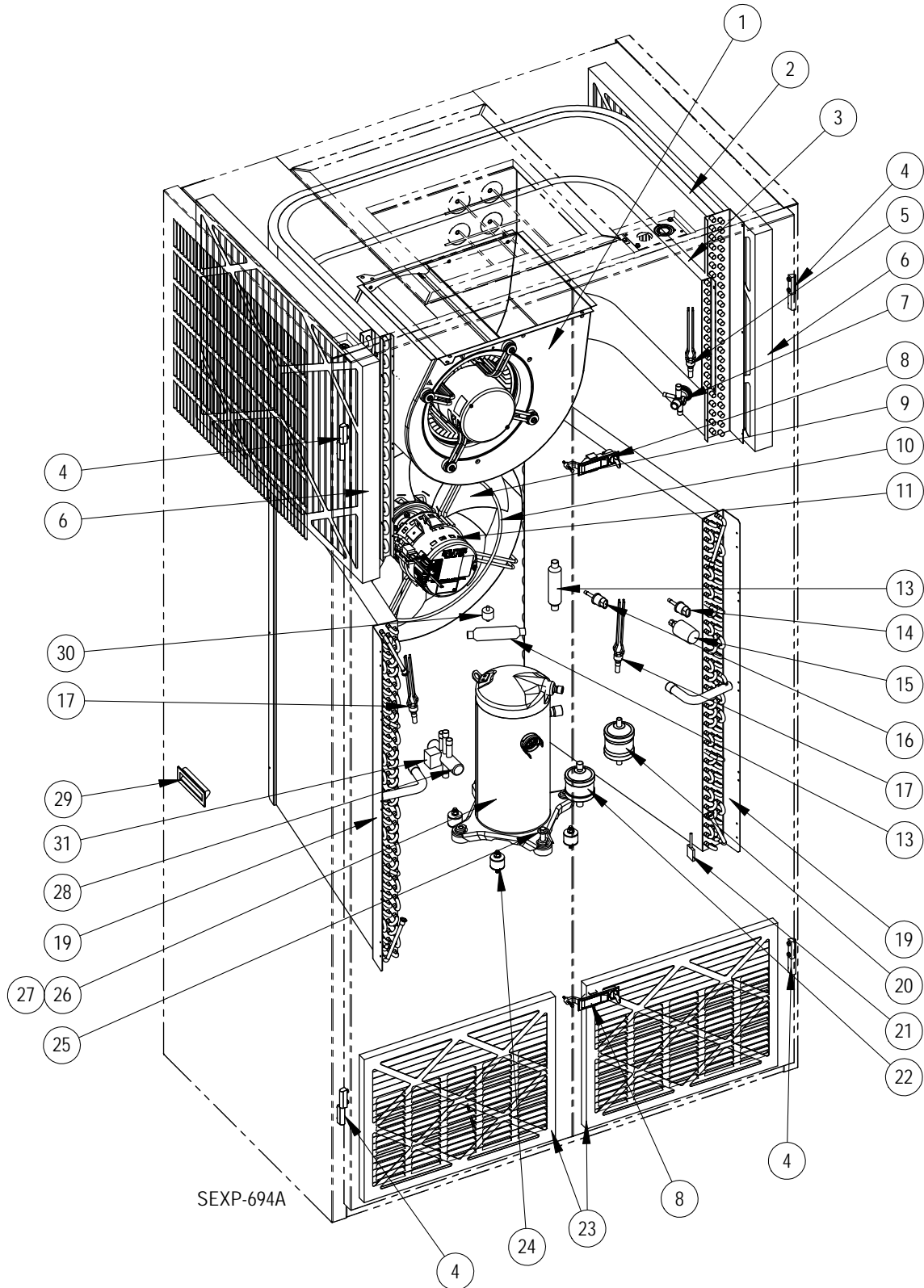
PAINTED CABINET COMPONENTS

| Drawing No. | Part Number | Description | All Models |
|-------------|-------------|------------------|------------|
| 1 | 501-636-* | Right Side | X |
| 2 | 501-637-* | Left Side | X |
| 3 | S553-500-* | Right Front Door | X |
| 4 | S553-499-* | Left Front Door | X |
| 5 | 115-206-* | Front Unit Trim | X |

* Exterior cabinet parts are manufactured with various paint color options. To ensure that you receive the proper paint color, please reference the following codes:

Beige -X
White -1
Buckeye Gray -4

FUNCTIONAL COMPONENTS



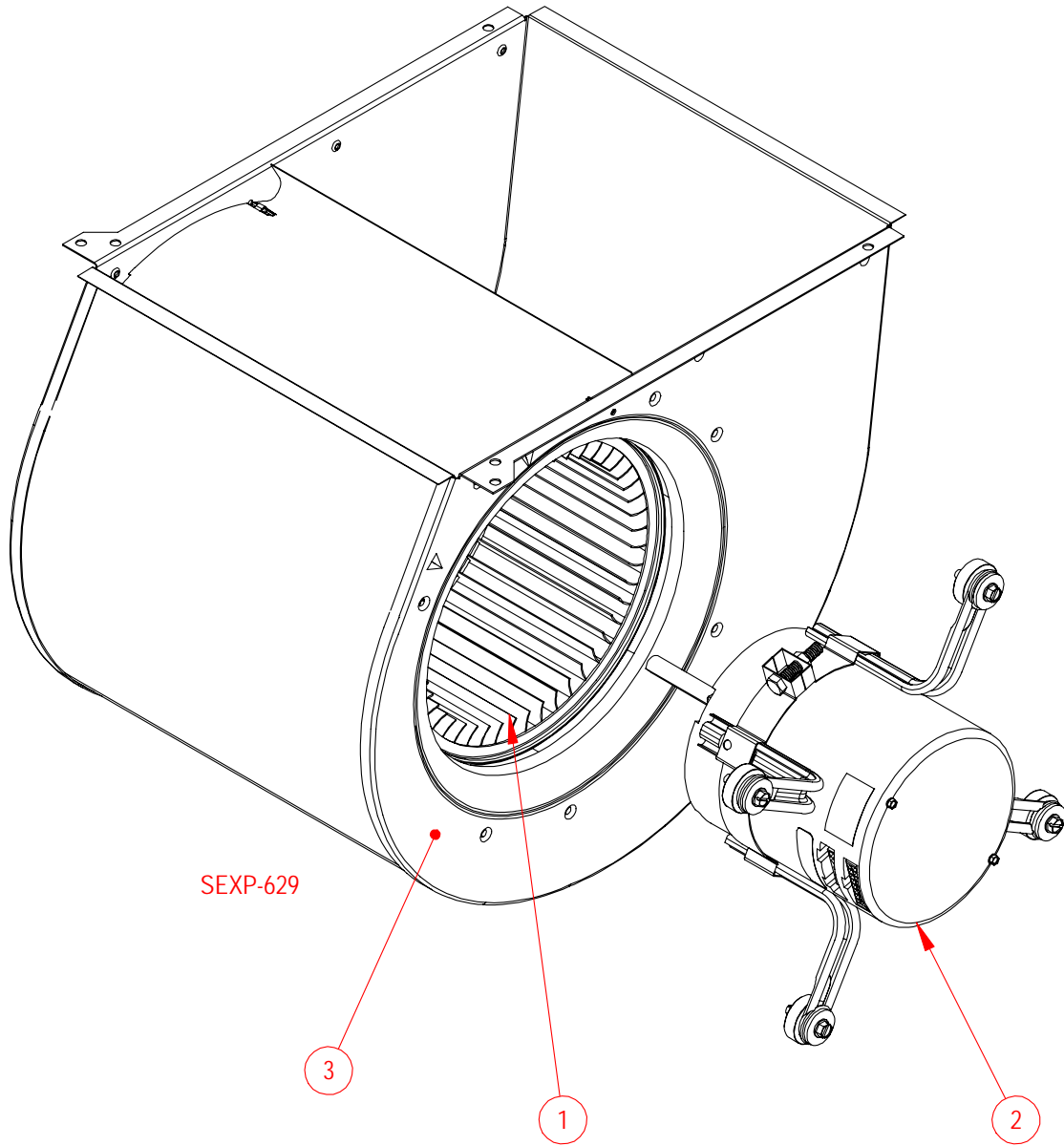
FUNCTIONAL COMPONENTS

| Drawing No. | Part Number | Description | I30A IDA | I30A IDB | I30A IDC | I36A IDA | I36A IDB | I36A IDC | I42A IDA | I42A IDB | I42A IDC | I48A IDA | I48A IDB | I48A IDC | I60A IDA | I60A IDB | I60A IDC |
|-------------|----------------|--|----------|----------|----------|----------|----------|----------|----------|----------|----------|----------|----------|----------|----------|----------|----------|
| 1 | S5154-002-0090 | Complete Blower Assembly See Blower section for individual components | X | X | X | | | | | | | | | | | | |
| | S5154-005-0089 | | | | | X | X | X | | | | | | | | | |
| | S5154-005-0088 | | | | | | | | X | X | X | | | | | | |
| | S5154-005-0087 | | | | | | | | | | | X | X | X | | | |
| | S5154-006-0081 | | | | | | | | | | | | | | X | X | X |
| 2 | 5060-174BX | Evaporator Coil | X | X | X | | | | | | | | | | | | |
| | 5060-168BX | | | | | X | X | X | X | X | X | X | X | X | | | |
| | 5060-175BX | | | | | | | | | | | | | | X | X | X |
| 3 | 5051-173BX | Dehumidification Reheat Coil | X | X | X | | | | | | | | | | | | |
| | 5051-174BX | | | | | X | X | X | X | X | X | | | | | | |
| | 5051-175BX | | | | | | | | | | | X | X | X | X | X | X |
| 4 | 5400-006 | Polymide Lift-Off Hinge | 4 | 4 | 4 | 4 | 4 | 4 | 4 | 4 | 4 | 4 | 4 | 4 | 4 | 4 | |
| 5 | 5625-014 | Distributor | X | X | X | | | | | | | | | | | | |
| | 5625-007 | | | | | X | X | X | X | X | X | X | X | X | | | |
| | 5625-008 | | | | | | | | | | | | | | X | X | X |
| 6 | 7004-050 | MERV 8 Filter | 2 | 2 | 2 | 2 | 2 | 2 | 2 | 2 | 2 | 2 | 2 | 2 | 2 | 2 | |
| | 7004-051 | MERV 11 Filter | | | | | | | | | | | | | | | |
| | 7004-053 | MERV 13 Filter | | | | | | | | | | | | | | | |
| 7 | 5651-200 | Expansion Valve | X | X | X | | | | | | | X | X | X | | | |
| | 5651-211 | | | | | | | | | | | | | | | | |
| | 5651-210 | | | | | X | X | X | X | X | X | | | | | | |
| | 5651-212 | | | | | | | | | | | | | | X | X | X |
| 8 | 1171-063 | Lockable Latch | 2 | 2 | 2 | 2 | 2 | 2 | 2 | 2 | 2 | 2 | 2 | 2 | 2 | 2 | |
| 9 | 5151-058 | Fan Blade | X | X | X | X | X | X | X | X | X | X | X | X | X | X | |
| 10 | 8200-045 | Fan Mount | X | X | X | X | X | X | X | X | X | X | X | X | X | X | |
| 11 | S8105-058-0109 | Programmed Outdoor Motor | X | X | X | | | | | | | | | | | | |
| | S8105-058-0095 | | | | | X | X | X | X | X | X | | | | | | |
| | S8106-054-0096 | | | | | | | | | | | X | X | X | X | X | X |
| 13 | 5651-219 | Check Valve | 2 | 2 | 2 | 2 | 2 | 2 | 2 | 2 | 2 | 2 | 2 | 2 | 2 | 2 | |
| 14 | 1804-0462 | High Pressure Switch, 650 PSIG | X | X | X | X | X | X | X | X | X | X | X | X | X | X | |
| 15 | 8406-112 | Low Ambient Control | X | X | X | X | X | X | X | X | X | X | X | X | X | X | |
| 16 | 1804-0107 | Low Pressure Switch | X | X | X | X | X | X | X | X | X | X | X | X | X | X | |
| 17 | 5625-013 | Distributor | 2 | 2 | 2 | 2 | 2 | 2 | 2 | 2 | | | | | | | |
| | 5625-007 | | | | | | | | | | | 2 | 2 | 2 | 2 | 2 | 2 |
| 19 | 5051-190BX | Condenser Coil | 2 | 2 | 2 | | | | | | | | | | | | |
| | 5051-189BX | | | | | 2 | 2 | 2 | 2 | 2 | | | | | | | |
| | 5051-191BX | | | | | | | | | | | 2 | 2 | 2 | 2 | 2 | 2 |
| 20 | 5201-022 | Filter-Drier | X | X | X | X | X | X | X | X | X | X | X | X | X | X | |

FUNCTIONAL COMPONENTS

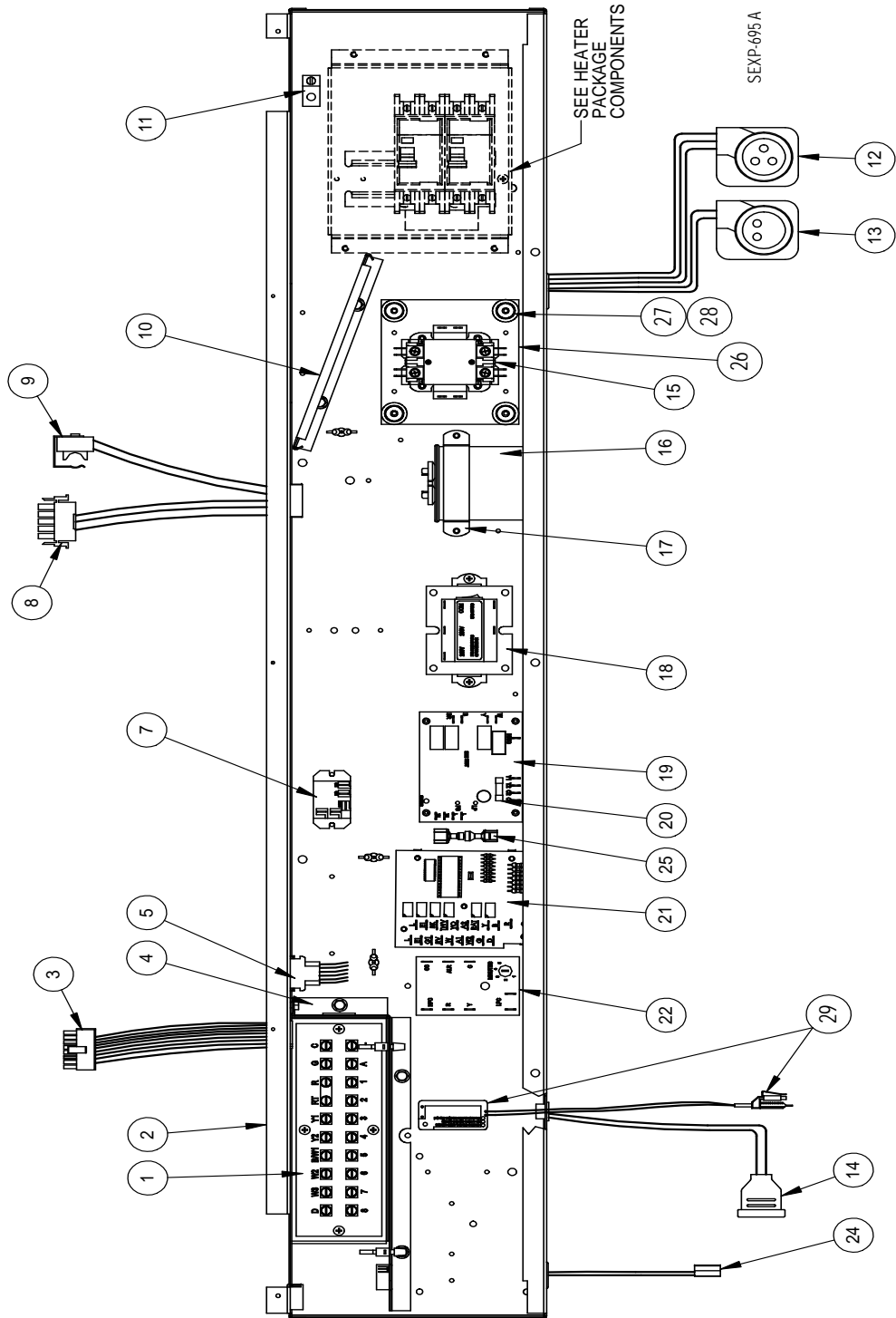
| Drawing No. | Part Number | Description | I30AIDA | I30AIDB | I30AIDC | I36AIDA | I36AIDB | I36AIDC | I42AIDA | I42AIDB | I42AIDC | I48AIDA | I48AIDB | I48AIDC | I60AIDA | I60AIDB | I60AIDC | |
|-------------|-------------|-------------------------------|---------|---------|---------|---------|---------|---------|---------|---------|---------|---------|---------|---------|---------|---------|---------|--|
| 22 | 5220-013 | Pulsation Dampener/Muffler | X | X | X | X | X | X | X | X | X | X | X | X | X | X | X | |
| 23 | 7004-003 | Filter | 2 | 2 | 2 | 2 | 2 | 2 | 2 | 2 | 2 | 2 | 2 | 2 | 2 | 2 | 2 | |
| 24 | 8001-013 | Compressor Grommet | 4 | 4 | 4 | 4 | 4 | 4 | 4 | 4 | 4 | 4 | 4 | 4 | 4 | 4 | 4 | |
| 25 | 1012-328 | Compressor Bolt | 4 | 4 | 4 | 4 | 4 | 4 | 4 | 4 | 4 | 4 | 4 | 4 | 4 | 4 | 4 | |
| 26 | 8000-388 | Compressor | X | | | | | | | | | | | | | | | |
| | 8000-389 | | | X | | | | | | | | | | | | | | |
| | 8000-390 | | | | X | | | | | | | | | | | | | |
| | 8000-379 | | | | | X | | | | | | | | | | | | |
| | 8000-380 | | | | | | X | | | | | | | | | | | |
| | 8000-381 | | | | | | | X | | | | | | | | | | |
| | 8000-391 | | | | | | | | X | | | | | | | | | |
| | 8000-392 | | | | | | | | | X | | | | | | | | |
| | 8000-393 | | | | | | | | | | X | | | | | | | |
| | 8000-382 | | | | | | | | | | | X | | | | | | |
| | 8000-383 | | | | | | | | | | | | X | | | | | |
| | 8000-384 | | | | | | | | | | | | | X | | | | |
| | 8000-385 | | | | | | | | | | | | | | X | | | |
| 8000-386 | | | | | | | | | | | | | | X | | | | |
| 8000-387 | | | | | | | | | | | | | | | | X | | |
| 27 | 8002-012 | Compressor Sound Cover | X | X | X | X | X | X | X | X | X | | | | | | | |
| | 8002-013 | | | | | | | | | | | X | X | X | X | X | X | |
| 28 | 5650-051 | Dehum. Valve, 4-Pipe | X | X | X | X | X | X | X | X | X | X | X | X | X | X | X | |
| 29 | 1171-060 | Flush Plastic Door Pull | 2 | 2 | 2 | 2 | 2 | 2 | 2 | 2 | 2 | 2 | 2 | 2 | 2 | 2 | 2 | |
| 30 | 5451-018 | Motor Mount Grommet | 2 | 2 | 2 | 2 | 2 | 2 | 2 | 2 | 2 | 2 | 2 | 2 | 2 | 2 | 2 | |
| NS | 6094-011 | 3/4" Barbed Drain Pan Fitting | 4 | 4 | 4 | 4 | 4 | 4 | 4 | 4 | 4 | 4 | 4 | 4 | 4 | 4 | 4 | |
| NS | 6001-016 | Nylon Barbed Tee | X | X | X | X | X | X | X | X | X | X | X | X | X | X | X | |
| NS | 7950-021 | 1" Hose Clamp | 8 | 8 | 8 | 8 | 8 | 8 | 8 | 8 | 8 | 8 | 8 | 8 | 8 | 8 | 8 | |

BLOWER ASSEMBLY COMPONENTS



| Drawing No. | Part Number | Description | 5154-002-0090 | 5154-005-0089 | 5154-005-0088 | 5154-005-0087 | 5154-006-0081 |
|-------------|----------------|-------------------------|---------------|---------------|---------------|---------------|---------------|
| 1 | 5152-049 | Blower Wheel | X | X | X | X | X |
| 2 | S8105-059-0090 | 1/3 HP Programmed Motor | X | | | | |
| | S8106-051-0089 | 3/4 HP Programmed Motor | | X | | | |
| | S8106-051-0088 | 3/4 HP Programmed Motor | | | X | | |
| | S8106-051-0087 | 3/4 HP Programmed Motor | | | | X | |
| | S8107-016-0081 | 1 HP Programmed Motor | | | | | X |
| 3 | 151-122 | Housing | X | X | X | X | X |

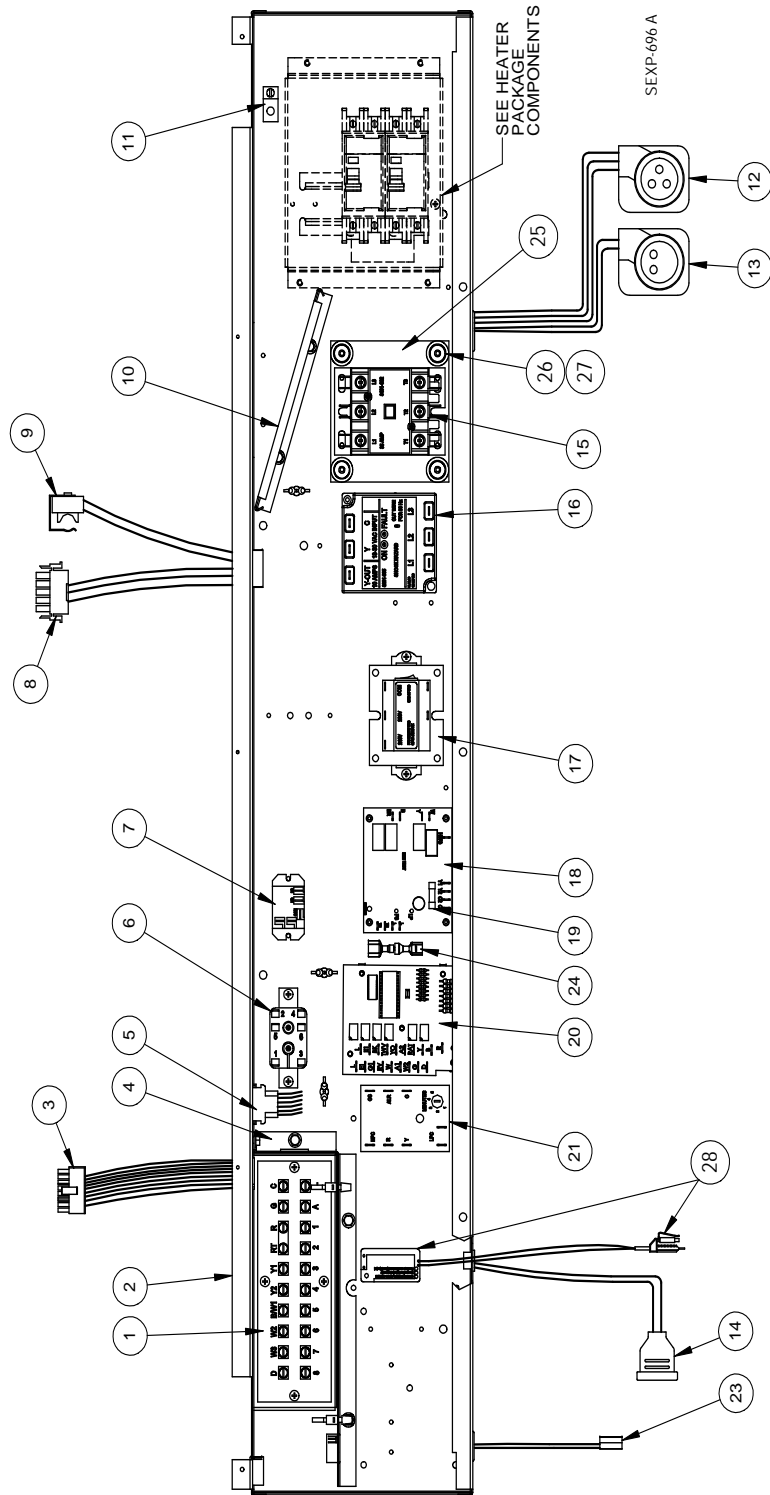
CONTROL PANEL COMPONENTS — 1 PHASE



CONTROL PANEL COMPONENTS — 1 PHASE

| Drawing No. | Part Number | Description | I30A1DA | I36A1DA | I42A1DA | I48A1DA | I60A1DA |
|-------------|-------------|--|---------|---------|---------|---------|---------|
| 1 | 8607-032 | Low Voltage Terminal Strip | X | X | X | X | X |
| 2 | 517-318 | Control Panel | X | X | X | X | X |
| 3 | 3000-1396 | 16 pin 24V Indoor Blower Motor Control | X | X | X | X | X |
| 4 | 117-319 | Low Voltage terminal box | X | X | X | X | X |
| 5 | 3000-1397 | 6 Pin Elect. Heat | X | X | X | X | X |
| 6 | 8201-015 | Relay | X | X | X | X | X |
| 7 | 8201-130 | Relay | X | X | X | X | X |
| 8 | 3000-1398 | 5 Pin Indoor Blower Motor Power | X | X | X | X | X |
| 9 | 8408-038 | Freeze protect thermostat | X | X | X | X | X |
| 10 | 135-319 | Wire Shield | X | X | X | X | X |
| 11 | 8611-006 | Ground Terminal | X | X | X | X | X |
| 12 | 3000-1222 | Compressor Power Plug | X | X | X | X | X |
| 13 | 3000-1223 | Compressor Solenoid Plug | X | X | X | X | X |
| 14 | 5650-044 | Solenoid Valve plug | X | X | X | X | X |
| 15 | 8401-025 | Contactora 2 Pole 40 Amp | X | X | X | X | X |
| 16 | 8552-035 | Capacitor 40MFD 370V | X | X | | | |
| | 8552-043 | Capacitor 45MFD 370V | | | X | | |
| | 8552-095 | Capacitor 30MFD 370V | | | | X | |
| | 8552-096 | Capacitor 40MFD 440V | | | | | X |
| 17 | 8550-007 | Capacitor Bracket 2" Round | X | X | | | X |
| | 8550-008 | Capacitor Bracket 2-1/2" Round | | | X | | |
| | 8550-006 | Capacitor Bracket 1-3/4" Round | | | | X | |
| 18 | 8407-048 | Transformer 75VA with Circuit Breaker | X | X | X | X | X |
| 19 | 8201-128 | Fan Logic Control | X | X | X | X | X |
| 20 | 8614-052 | 3.15 Amp Fuse | X | X | X | X | X |
| 21 | 8201-113 | Dehum Logic Board | X | X | X | X | X |
| 22 | 8201-088 | Compressor Control Module | X | X | X | X | X |
| 24 | 8408-043 | Fan Control Thermistor | X | X | X | X | X |
| 25 | 910-1816 | Fan Control Resistor (Optional) | X | X | X | X | X |
| 26 | 116-332 | Contactora Isolation Plate | X | X | X | X | X |
| 27 | 5451-025 | Rubber Grommet | X | X | X | X | X |
| 28 | 5451-026 | Nylon Flanged Bushing | X | X | X | X | X |
| 29 | 910-1914 | Overflow Switch Assembly | X | X | X | X | X |

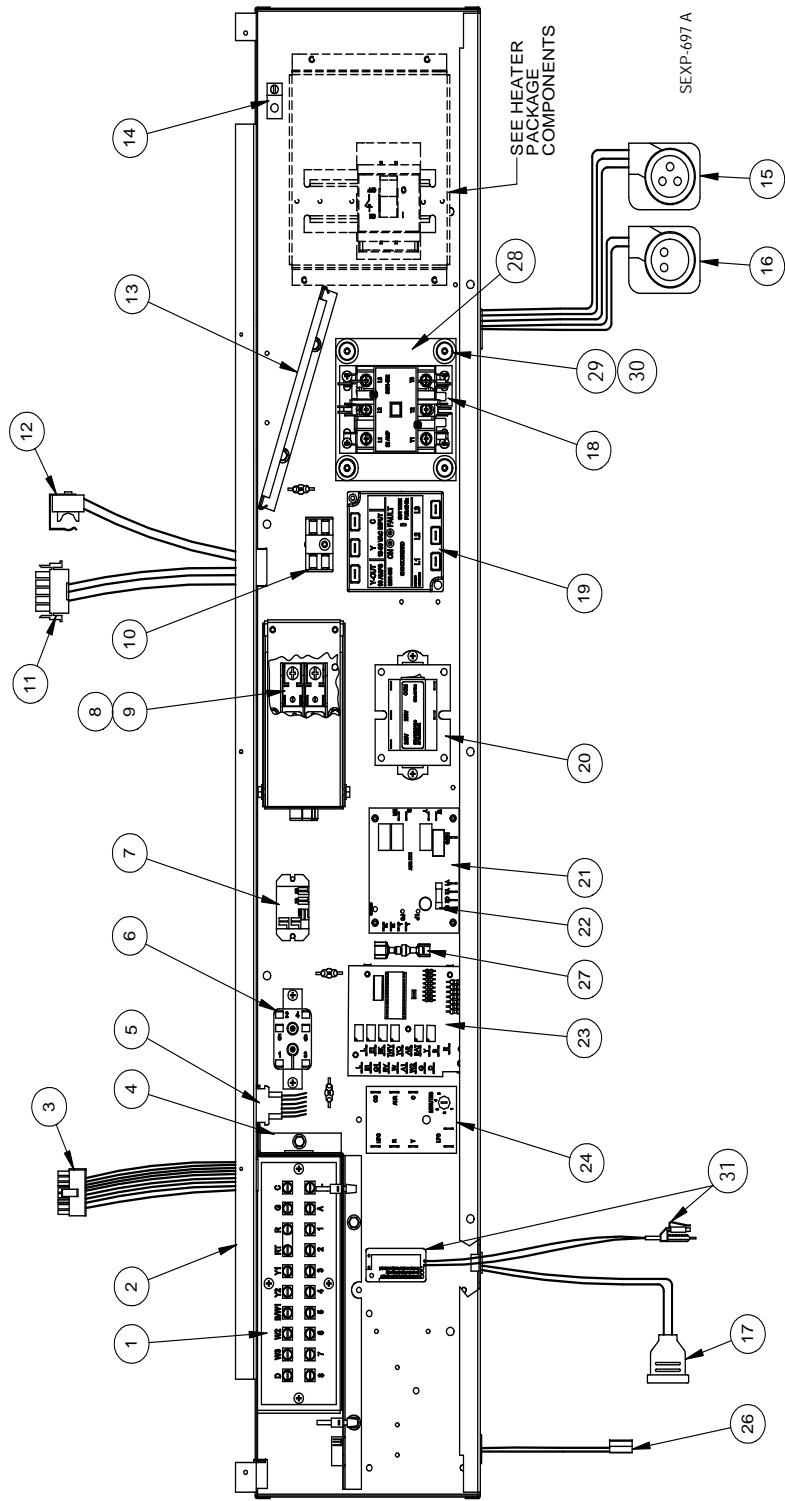
CONTROL PANEL COMPONENTS — 3 PHASE



CONTROL PANEL COMPONENTS — 3 PHASE

| Drawing No. | Part Number | Description | I30AIDB | I36AIDB | I42AIDB | I48AIDB | I60AIDB |
|-------------|-------------|--|---------|---------|---------|---------|---------|
| 1 | 8607-032 | Low Voltage Terminal Strip | X | X | X | X | X |
| 2 | 517-318 | Control Panel | X | X | X | X | X |
| 3 | 3000-1396 | 16 pin 24V Indoor Blower Motor Control | X | X | X | X | X |
| 4 | 117-319 | Low Voltage Terminal Box | X | X | X | X | X |
| 5 | 3000-1397 | 6 Pin Elect. Heat | X | X | X | X | X |
| 6 | 8201-015 | Relay | X | X | X | X | X |
| 7 | 8201-130 | Relay | X | X | X | X | X |
| 8 | 3000-1398 | 5 Pin Indoor Blower Motor Power | X | X | X | X | X |
| 9 | 8408-038 | Freeze Protect Thermostat | X | X | X | X | X |
| 10 | 135-319 | Wire Shield | X | X | X | X | X |
| 11 | 8611-006 | Ground Terminal | X | X | X | X | X |
| 12 | 3000-1231 | Compressor Power Plug | X | X | X | X | X |
| 13 | 3000-1223 | Compressor Solenoid Plug | X | X | X | X | X |
| 14 | 5650-044 | Solenoid Valve Plug | X | X | X | X | X |
| 15 | 8401-002 | Contactora 3 Pole 25 Amp | X | X | X | X | X |
| 16 | 8201-126 | 3-PH Line Monitor | X | X | X | X | X |
| 17 | 8407-048 | Transformer 75VA with Circuit Breaker | X | X | X | X | X |
| 18 | 8201-128 | Fan Logic Control | X | X | X | X | X |
| 19 | 8614-052 | 3.15 Amp Fuse | X | X | X | X | X |
| 20 | 8201-113 | Dehum Logic Board | X | X | X | X | X |
| 21 | 8201-088 | Compressor Control Module | X | X | X | X | X |
| 23 | 8408-043 | Fan Control Thermistor | X | X | X | X | X |
| 24 | S910-1816 | Fan Control Resistor (Optional) | X | X | X | X | X |
| 25 | 116-332 | Contactora Isolation Plate | X | X | X | X | X |
| 26 | 5451-025 | Rubber Grommet | X | X | X | X | X |
| 27 | 5451-026 | Nylon Flanged Bushing | X | X | X | X | X |
| 28 | 910-1914 | Overflow Switch Assembly | X | X | X | X | X |

CONTROL PANEL COMPONENTS — 460V 3 PHASE

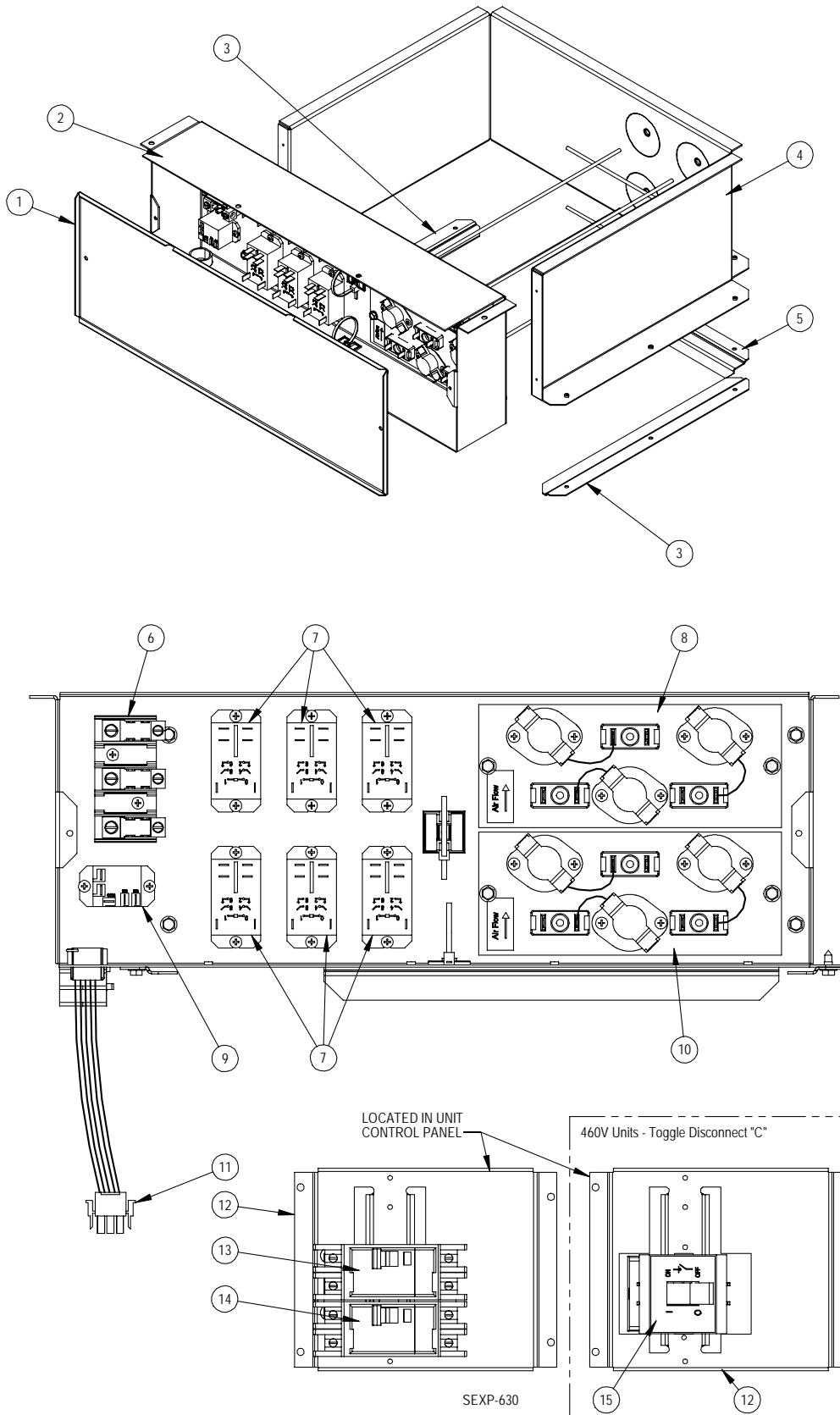


CONTROL PANEL COMPONENTS — 460V 3 PHASE

| Drawing No. | Part Number | Description | I30A1DC | I36A1DC | I42A1DC | I48A1DC | I60A1DC |
|-------------|---|--|---------|---------|---------|---------|---------|
| 1 | 8607-032 | Low Voltage Terminal Strip | X | X | X | X | X |
| 2 | 517-318 | Control Panel | X | X | X | X | X |
| 3 | 3000-1396 | 16 pin 24V Indoor Blower Motor Control | X | X | X | X | X |
| 4 | 117-319 | Low Voltage Terminal Box | X | X | X | X | X |
| 5 | 3000-1397 | 6 Pin Elect. Heat | X | X | X | X | X |
| 6 | 8201-015 | Relay | X | X | X | X | X |
| 7 | 8201-130 | Relay | X | X | X | X | X |
| 8 | 8614-041 | Fuse Block | X | X | X | X | X |
| 9 | <i>See Separate Chart (Below) for Item #9</i> | | | | | | |
| 10 | 8607-017 | Terminal Block | X | X | X | X | X |
| 11 | 3000-1398 | 5 Pin Indoor Blower Motor Power | X | X | X | X | X |
| 12 | 8408-038 | Freeze Protect Thermostat | X | X | X | X | X |
| 13 | 135-319 | Wire Shield | X | X | X | X | X |
| 14 | 8611-006 | Ground Terminal | X | X | X | X | X |
| 15 | 3000-1231 | Compressor Power Plug | X | X | X | X | X |
| 16 | 3000-1223 | Compressor Solenoid Plug | X | X | X | X | X |
| 17 | 5650-044 | Solenoid Valve Plug | X | X | X | X | X |
| 18 | 8401-002 | Contactora 3 Pole 25 Amp | X | X | X | X | X |
| 19 | 8201-126 | 3-PH Line Monitor | X | X | X | X | X |
| 20 | 8407-048 | Transformer 75VA with Circuit Breaker | X | X | X | X | X |
| 21 | 8201-128 | Fan Logic Control | X | X | X | X | X |
| 22 | 8614-052 | 3.15 Amp Fuse | X | X | X | X | X |
| 23 | 8201-113 | Dehum Logic Board | X | X | X | X | X |
| 24 | 8201-088 | Compressor Control Module | X | X | X | X | X |
| 26 | 8408-043 | Fan Control Thermistor | X | X | X | X | X |
| 27 | S910-1816 | Fan Control Resistor (Optional) | X | X | X | X | X |
| 28 | 116-332 | Contactora Isolation Plate | X | X | X | X | X |
| 29 | 5451-025 | Rubber Grommet | X | X | X | X | X |
| 30 | 5451-026 | Nylon Flanged Bushing | X | X | X | X | X |
| 31 | 910-1914 | Overflow Switch Assembly | X | X | X | X | X |

| | | With Vent | No Vent |
|---|---------|--------------------------------------|---------------------------------------|
| 9 | I30H1DC | (2) Part #8614-046 5A Class CC Fuse | (2) Part #8614-047 3.2A Class CC Fuse |
| | I36H1DC | (2) Part #8614-042 7A Class CC Fuse | (2) Part #8614-046 5A Class CC Fuse |
| | I42H1DC | (2) Part #8614-042 7A Class CC Fuse | (2) Part #8614-046 5A Class CC Fuse |
| | I48H1DC | (2) Part #8614-042 7A Class CC Fuse | (2) Part #8614-046 5A Class CC Fuse |
| | I60H1DC | (2) Part #8614-043 10A Class CC Fuse | (2) Part #8614-042 7A Class CC Fuse |

ELECTRIC HEATER COMPONENTS



ELECTRIC HEATER COMPONENTS

| Drawing No. | Part No. | Description | I30A1DA0Z | I30A1DA05 | I30A1DA10 | I36A1DA0Z | I36A1DA05 | I36A1DA10 | I36A1DA15 | I42A1DA0Z | I42A1DA05 | I42A1DA10 | I42A1DA15 | I48A1DA0Z | I48A1DA04 | I48A1DA05 | I48A1DA10 | I48A1DA15 | I48A1DA20 | I60A1DA0Z | I60A1DA05 | I60A1DA10 | I60A1DA15 | I60A1DA20 | |
|-------------|-----------|------------------------------------|-----------|-----------|-----------|-----------|-----------|-----------|-----------|-----------|-----------|-----------|-----------|-----------|-----------|-----------|-----------|-----------|-----------|-----------|-----------|-----------|-----------|-----------|---|
| 1 | 143-148 | Heater Box Cover | X | X | X | X | X | X | X | X | X | X | X | X | X | X | X | X | X | X | X | X | X | X | |
| 2 | 117-313 | Heater Front Plate | X | X | X | X | X | X | X | X | X | X | X | X | X | X | X | X | X | X | X | X | X | X | |
| 3 | 103-486 | Side Blower Offset | 2 | 2 | 2 | 2 | 2 | 2 | 2 | 2 | 2 | 2 | 2 | 2 | 2 | 2 | 2 | 2 | 2 | 2 | 2 | 2 | 2 | 2 | |
| 4 | 117-307 | Heater Wrapper | X | X | X | X | X | X | X | X | X | X | X | X | X | X | X | X | X | X | X | X | X | X | |
| 5 | 103-487 | Rear Blower Angle | X | X | X | X | X | X | X | X | X | X | X | X | X | X | X | X | X | X | X | X | X | X | |
| 7 | 8401-036 | Contactor 2-Pole 30A | | X | 2 | | X | 2 | 3 | | X | 2 | 2 | | X | X | 2 | 3 | 4 | | X | 2 | 3 | 4 | |
| 8 | 142-159 | Heater Blank Off Plate | X | X | X | X | X | | | X | X | X | | X | X | X | X | | | X | X | X | | | |
| | 8604-135 | Heat Strip 5KW | | | | | | | X | | | | X | | | | | X | | | | | X | | |
| | 8604-136 | Heat Strip 10KW | | | | | | | | | | | | | | | | | X | | | | | X | |
| 9 | 8201-130 | Relay | | X | X | | X | X | X | | X | X | X | | X | X | X | X | X | | X | X | X | X | |
| 10 | 142-159 | Heater Blank Off Plate | X | | | X | | | | X | | | | X | | | | | | X | | | | | |
| | 8604-135 | Heat Strip 5KW | | X | | | X | | | | X | | | | | X | | | | | X | | | | |
| | 8604-136 | Heat Strip 10KW | | | X | | | X | X | | | X | X | | | | X | X | X | | | X | X | X | |
| | 8604-134 | Heat Strip 4KW | | | | | | | | | | | | | X | X | | | | | | | | | |
| 11 | 3000-1402 | 6-Pin Electric Heater Wire Harness | | X | X | | X | X | X | | X | X | X | | X | X | X | X | X | | X | X | X | X | |
| 12 | 127-418 | Circuit Breaker Base | X | X | X | X | X | X | X | X | X | X | X | X | X | X | X | X | X | X | X | X | X | X | |
| 13 | 8615-037 | Circuit Breaker 30A 2-Pole | | | X | | | | | | | | | | | X | | | | | X | | | | |
| | 8615-041 | Circuit Breaker 60A 2-Pole | | | | | | X | X | | | X | X | | | | X | X | X | | | X | X | X | |
| 14 | 8615-038 | Circuit Breaker 35A 2-Pole | X | | | | | | | | | | | | | | | | | | | | | | |
| | 8615-040 | Circuit Breaker 50A 2-Pole | | X | X | | | | | | | | | X | | X | | | | | | | | | |
| | 8615-055 | Circuit Breaker 40A 2-Pole | | | | X | | X | X | | | | | | | | | | | | | | | | |
| | 8615-041 | Circuit Breaker 60A 2-Pole | | | | | X | | | | X | | | | X | | | | | X | X | X | X | X | X |
| | 8615-039 | Circuit Breaker 45A 2-Pole | | | | | | | | | X | | X | X | | | | | X | X | | | | | |

NS = Not Shown

ELECTRIC HEATER COMPONENTS

| Drawing No. | Part No. | Description | I30A1DB0Z | I30A1DB06 | I30A1DB09 | I36A1DB0Z | I36A1DB06 | I36A1DB09 | I36A1DB15 | I42A1DB0Z | I42A1DB06 | I42A1DB09 | I42A1DB15 | I48A1DB0Z | I48A1DB06 | I48A1DB09 | I48A1DB15 | I48A1DB18 | I60A1DB0Z | I60A1DB06 | I60A1DB09 | I60A1DB15 | I60A1DB18 |
|-------------|-----------|------------------------------------|-----------|-----------|-----------|-----------|-----------|-----------|-----------|-----------|-----------|-----------|-----------|-----------|-----------|-----------|-----------|-----------|-----------|-----------|-----------|-----------|-----------|
| 1 | 143-148 | Heater Box Cover | X | X | X | X | X | X | X | X | X | X | X | X | X | X | X | X | X | X | X | X | X |
| 2 | 117-313 | Heater Front Plate | X | X | X | X | X | X | X | X | X | X | X | X | X | X | X | X | X | X | X | X | X |
| 3 | 103-486 | Side Blower Offset | 2 | 2 | 2 | 2 | 2 | 2 | 2 | 2 | 2 | 2 | 2 | 2 | 2 | 2 | 2 | 2 | 2 | 2 | 2 | 2 | 2 |
| 4 | 117-307 | Heater Wrapper | X | X | X | X | X | X | X | X | X | X | X | X | X | X | X | X | X | X | X | X | X |
| 5 | 103-487 | Rear Blower Angle | X | X | X | X | X | X | X | X | X | X | X | X | X | X | X | X | X | X | X | X | X |
| 6 | 8607-014 | Terminal Block | | | | | | | | | | | | | | | | X | | | | | X |
| 7 | 8401-036 | Contactors 2-Pole 30A | | 3 | 3 | | 3 | 3 | 6 | | 3 | 3 | 6 | | 3 | 3 | 6 | 6 | | 3 | 3 | 6 | 6 |
| 8 | 142-159 | Heater Blank Off Plate | X | X | X | X | X | X | | X | X | X | | X | X | X | | | X | X | X | | |
| | 8604-137 | Heat Strip 6KW | | | | | | | X | | | | X | | | | X | | | | | X | |
| | 8604-138 | Heat Strip 9KW | | | | | | | | | | | | | | | X | | | | | | X |
| 9 | 8201-130 | Relay | | X | X | | X | X | X | | X | X | X | | X | X | X | X | | X | X | X | X |
| 10 | 142-159 | Heater Blank Off Plate | X | | | X | | | | X | | | | X | | | | | X | | | | |
| | 8604-137 | Heat Strip 6KW | | X | | | X | | | | X | | | X | | | | | | X | | | |
| | 8604-138 | Heat Strip 9KW | | | X | | | X | X | | | X | X | | X | X | X | | | | X | X | X |
| 11 | 3000-1402 | 6-Pin Electric Heater Wire Harness | | X | X | | X | X | X | | X | X | X | | X | X | X | X | | X | X | X | X |
| 12 | 127-418 | Circuit Breaker Base | X | X | X | | X | X | X | X | X | X | X | X | X | X | X | X | X | X | X | X | X |
| 13 | 8615-046 | Circuit Breaker 60A 3-Pole | | | | | | | X | | | | X | | | | X | | | | | X | X |
| 14 | 8615-051 | Circuit Breaker 25A 3-Pole | X | | | | | | | | | | | | | | | | | | | | |
| | 8615-042 | Circuit Breaker 35A 3-Pole | | X | | | | | | X | | | | X | | | | | | | | | |
| | 8615-052 | Circuit Breaker 30A 3-Pole | | | | X | | | | | | | | | | | | | | | | | |
| | 8615-044 | Circuit Breaker 45A 3-Pole | | | X | | X | | X | | | | X | | | | X | | X | | | X | X |
| | 8615-045 | Circuit Breaker 50A 3-Pole | | | | | | X | | | X | | | | X | | | | | | | | |
| | 8615-046 | Circuit Breaker 60A 3-Pole | | | | | | | | | | X | | | | X | | X | | X | X | | |

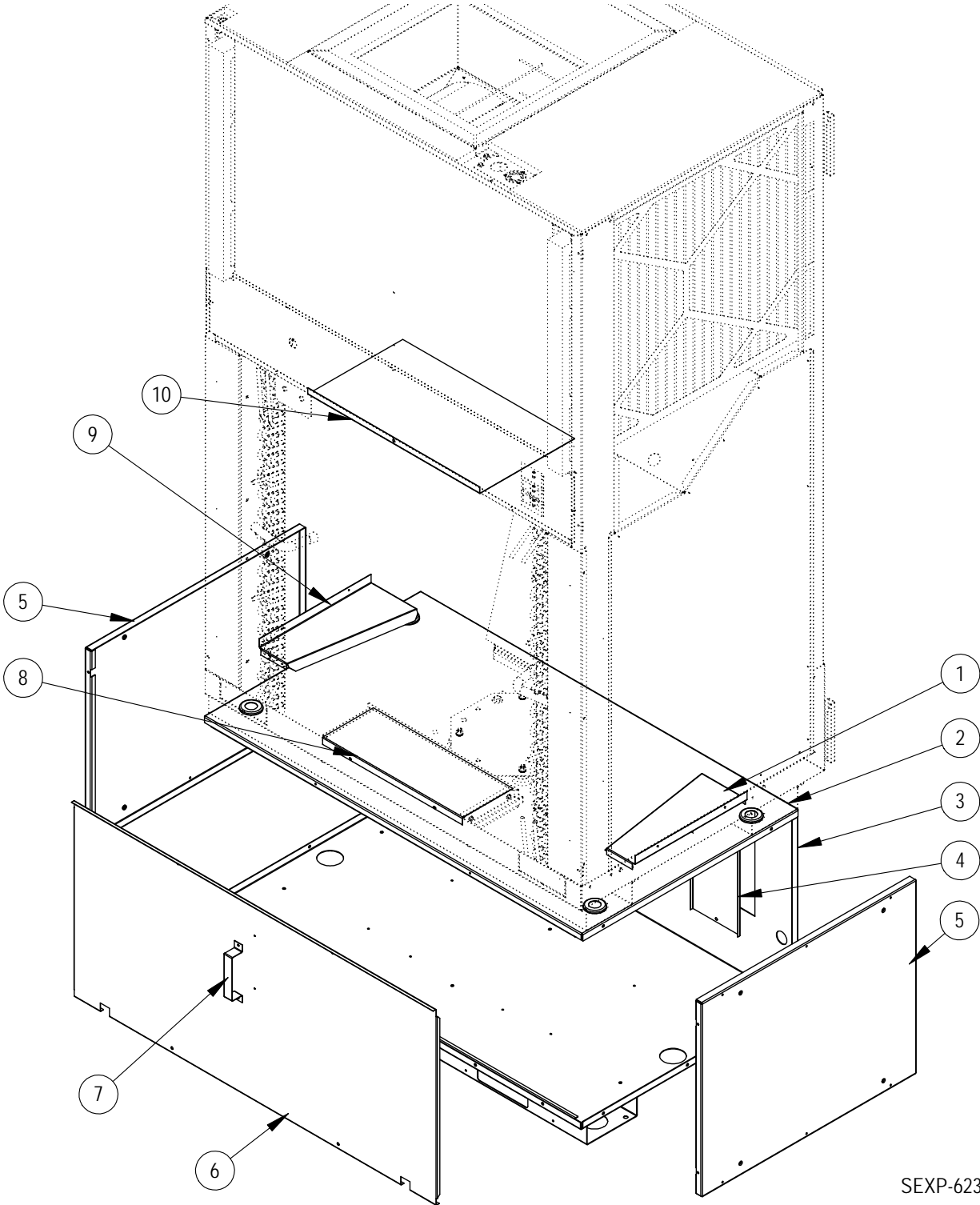
NS = Not Shown

ELECTRIC HEATER COMPONENTS

| Drawing No. | Part No. | Description | I30A1DC0Z | I30A1DC06 | I30A1DC09 | I36A1DC0Z | I36A1DC06 | I36A1DC09 | I36A1DC15 | I42A1DC0Z | I42A1DC06 | I42A1DC09 | I42A1DC15 | I48A1DC0Z | I48A1DC06 | I48A1DC09 | I48A1DC15 | I48A1DC18 | I60A1DC0Z | I60A1DC06 | I60A1DC09 | I60A1DC15 | I60A1DC18 | |
|-------------|-----------|------------------------------------|-----------|-----------|-----------|-----------|-----------|-----------|-----------|-----------|-----------|-----------|-----------|-----------|-----------|-----------|-----------|-----------|-----------|-----------|-----------|-----------|-----------|---|
| 1 | 143-148 | Heater Box Cover | X | X | X | X | X | X | X | X | X | X | X | X | X | X | X | X | X | X | X | X | X | X |
| 2 | 117-313 | Heater Front Plate | X | X | X | X | X | X | X | X | X | X | X | X | X | X | X | X | X | X | X | X | X | X |
| 3 | 103-486 | Side Blower Offset | 2 | 2 | 2 | 2 | 2 | 2 | 2 | 2 | 2 | 2 | 2 | 2 | 2 | 2 | 2 | 2 | 2 | 2 | 2 | 2 | 2 | 2 |
| 4 | 117-307 | Heater Wrapper | X | X | X | X | X | X | X | X | X | X | X | X | X | X | X | X | X | X | X | X | X | X |
| 5 | 103-487 | Rear Blower Angle | X | X | X | X | X | X | X | X | X | X | X | X | X | X | X | X | X | X | X | X | X | X |
| 6 | 8607-014 | Terminal Block | | | | | | | X | | | | X | | | | X | | | | | | X | |
| 7 | 8401-036 | Contactora 2-Pole 30A | | 2 | 2 | | 2 | 2 | 6 | | 2 | 2 | 6 | | 2 | 2 | 6 | 4 | | 2 | 2 | 6 | 4 | |
| 8 | 142-159 | Heater Blank Off Plate | X | X | X | X | X | | | X | X | X | | X | X | X | | | X | X | X | | | |
| | 8604-139 | Heat Strip 6KW | | | | | | | X | | | | | X | | | | X | | | | | | X |
| | 8604-140 | Heat Strip 9KW | | | | | | | | | | | | | | | | X | | | | | | X |
| 9 | 8201-130 | Relay | | X | X | | X | X | X | | X | X | X | | X | X | X | X | | X | X | X | X | X |
| 10 | 142-159 | Heater Blank Off Plate | X | | | X | | | | X | | | | X | | | | | X | | | | | |
| | 8604-139 | Heat Strip 6KW | | X | | | X | | | | X | | | | X | | | | | X | | | | |
| | 8604-140 | Heat Strip 9KW | | | X | | | X | X | | | X | X | | | X | X | X | | | | X | X | X |
| 11 | 3000-1402 | 6-Pin Electric Heater Wire Harness | | X | X | | X | X | X | | X | X | X | | X | X | X | X | | X | X | X | X | X |
| 12 | 127-418 | Circuit Breaker Base | X | X | X | X | X | X | X | X | X | X | X | X | X | X | X | X | X | X | X | X | X | X |
| 15 | 8615-067 | Toggle Disconnect 40A 460V | X | X | X | X | X | X | X | X | X | X | X | X | X | X | X | X | X | X | X | X | X | X |

NS = Not Shown

VENT BOX (ONLY) COMPONENTS

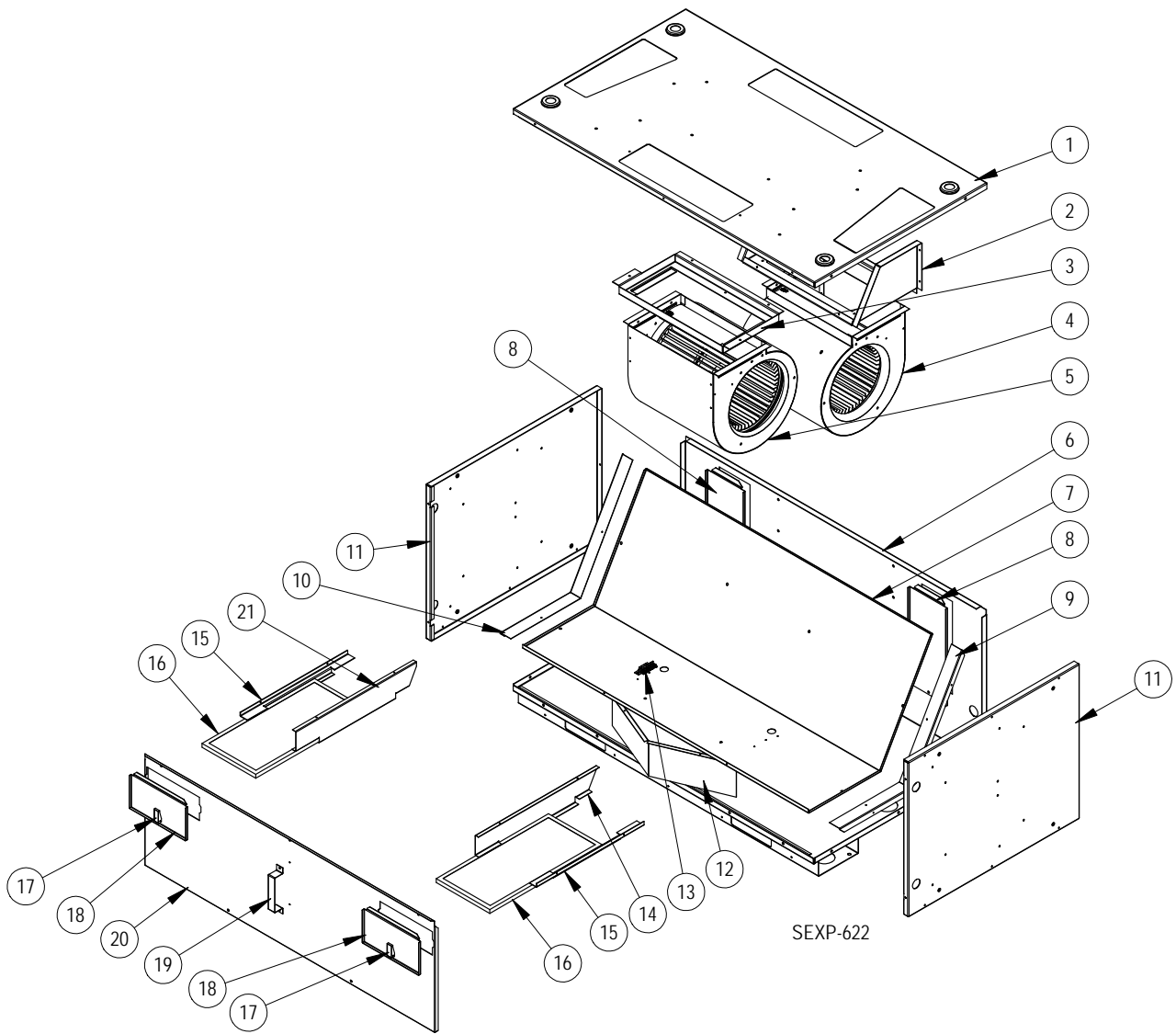


SEXP-623

VENT BOX (ONLY) COMPONENTS

| Drawing No. | Part Number | Description | Vent Box Only |
|-------------|-------------|------------------------|---------------|
| 1 | S143X164 | Right Side Intake Fill | X |
| 2 | 507-298 | Vent Box Top | X |
| 3 | S527-419 | Vent Box Base | X |
| 4 | 543-158 | Drain Access Plate | 2 |
| 5 | S501-639 | Vent Box Side | 2 |
| 6 | 553-508 | Vent Box Door | X |
| 7 | 113-441 | Door Latch Bracket | X |
| 8 | S143-160 | Lower Intake Fill | X |
| 9 | S143Y164 | Left Side Intake Fill | X |
| 10 | S143-161 | Upper Intake Fill | X |

CRV COMPONENTS

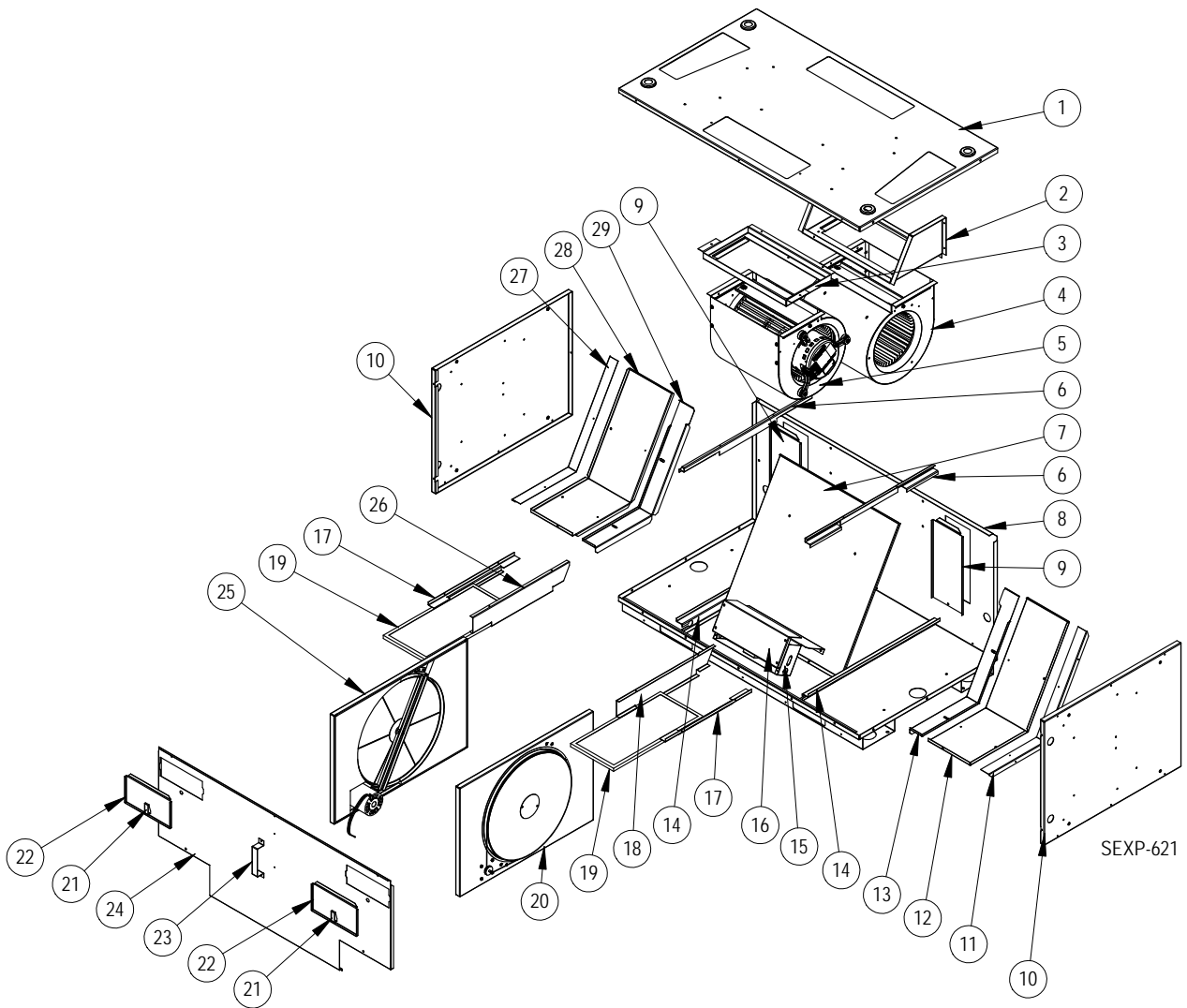


CRV COMPONENTS

| Drawing No. | Part Number | Description | CRV |
|-------------|-------------|-------------------------------|-----|
| 1 | S507-297 | Vent Box Top | X |
| 2 | 103-489 | Rear Blower Offset | X |
| 3 | 103-488 | Front Blower Offset | X |
| 4 | 900-318-001 | Exhaust Blower Assembly | X |
| 5 | 900-318-002 | Intake Blower Assembly | X |
| 6 | S527-419 | Vent Box Base | X |
| 7 | 521-459 | Partition | X |
| 8 | 543-158 | Drain Access Plate | 2 |
| 9 | 505X1260 | Right Partition Angle | X |
| 10 | 505Y1260 | Left Partition Angle | X |
| 11 | S501-638 | Vent Box Side | 2 |
| 12 | 569-179 | Baffle | X |
| 13 | S910-1809 | Terminal Block Assembly | X |
| 14 | 141X382 | Right Lower Filter Bracket | X |
| 15 | 141-381 | Filter Angle | 2 |
| 16 | 7003-064 | Vent Intake Filter | 2 |
| 17 | 1171-053 | Swell Latch | 2 |
| 18 | S153-506 | Filter Door | 2 |
| 19 | 113-441 | Door Latch Bracket | X |
| 20 | S553-507 | Blower Door | X |
| 21 | 141Y382 | Left Lower Filter Bracket | X |
| NS | 3000-1403 | Intake/Exhaust Power Plug | 2 |
| NS | 3000-1404 | Intake/Exhaust Speed Plug | 2 |
| NS | 3000-1406 | Vent Section Plug | X |
| NS | 3000-1411 | Unit Control Panel Plug | X |
| NS | 8201-062 | Relay (in unit Control Panel) | X |

NS = Not Shown

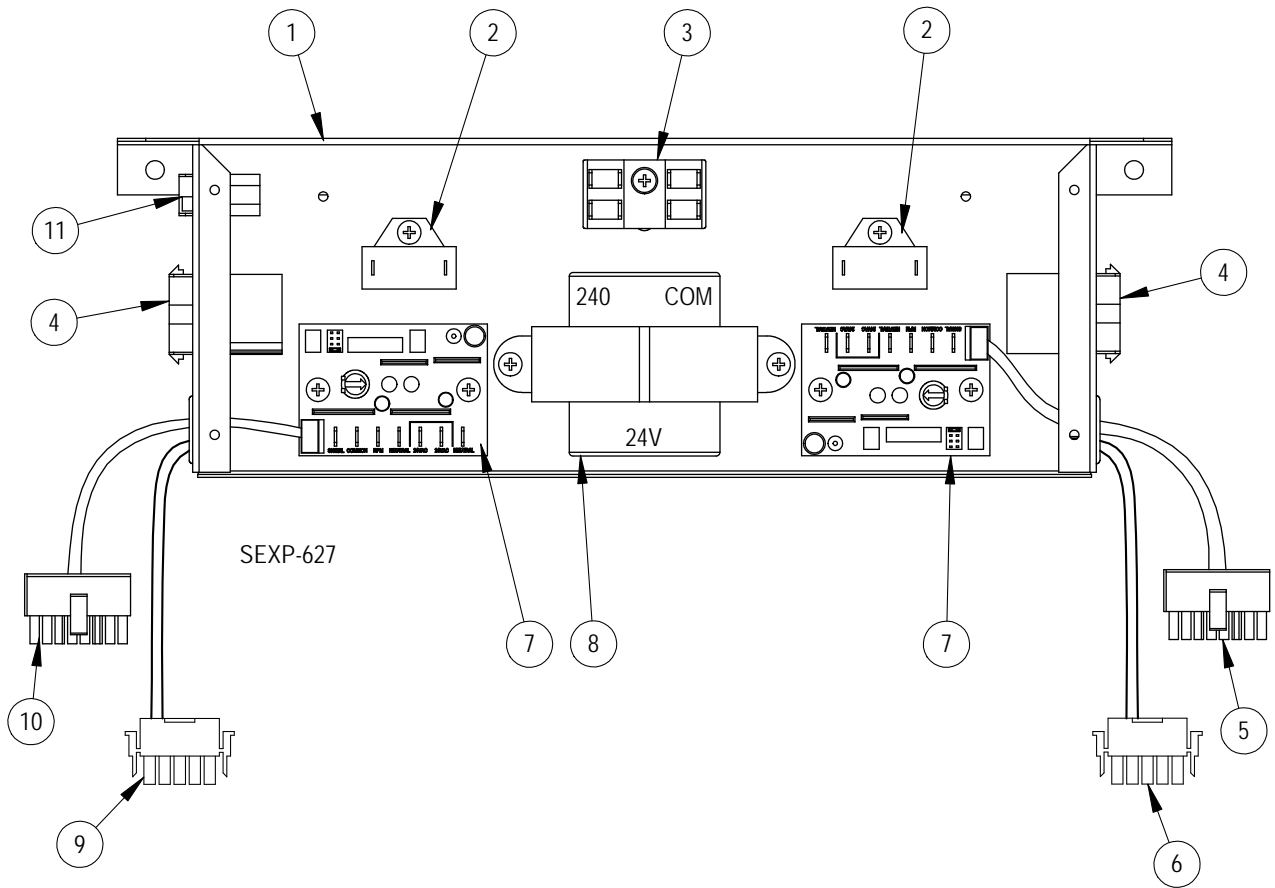
ERV COMPONENTS



ERV COMPONENTS

| Drawing No. | Part Number | Description | ERV |
|-------------|---------------|---|-----|
| 1 | S507-297 | Vent Box Top | X |
| 2 | 103-489 | Rear Blower Offset | X |
| 3 | 103-488 | Front Blower Offset | X |
| 4 | 900-319-001 | Exhaust Blower Assembly | X |
| 5 | 900-319-002 | Intake Blower Assembly | X |
| 6 | 141-379 | Cassette Upper Rail | 2 |
| 7 | 521-457 | Partition | X |
| 8 | S527-419 | Vent Box Base | X |
| 9 | 543-158 | Drain Access Plate | 2 |
| 10 | S501-638 | Vent Box Side | 2 |
| 11 | 505X1260 | Right Partition Angle | X |
| 12 | 521-464 | Right Side Partition | X |
| 13 | S105X1258 | Right Cassette Seal Angle | X |
| 14 | 141-380 | Cassette Lower Rail | 2 |
| 15 | Control Panel | See Control Panel section | x |
| 16 | 153-511 | Control Panel Cover | X |
| 17 | 141-381 | Filter Angle | 2 |
| 18 | 141X382 | Right Lower Filter Bracket | X |
| 19 | 7003-064 | Vent Intake Filter | 2 |
| 20 | 5070-055 | Right Cassette Assembly - Complete See cassette section for individual parts | X |
| 21 | 1171-053 | Swell Latch | 2 |
| 22 | S153-506 | Filter Door | 2 |
| 23 | 113-441 | Door Latch Bracket | X |
| 24 | S553-505 | Cassette Door | X |
| 25 | 5070-056 | Left Cassette Assembly - Complete See cassette section for individual parts | X |
| 26 | 141Y382 | Left Lower Filter Bracket | X |
| 27 | 105Y1260 | Left Partition Angle | X |
| 28 | 521-465 | Left Side Partition | X |
| 29 | S105Y1258 | Left Cassette Seal Angle | X |

ERV CONTROL PANEL COMPONENTS

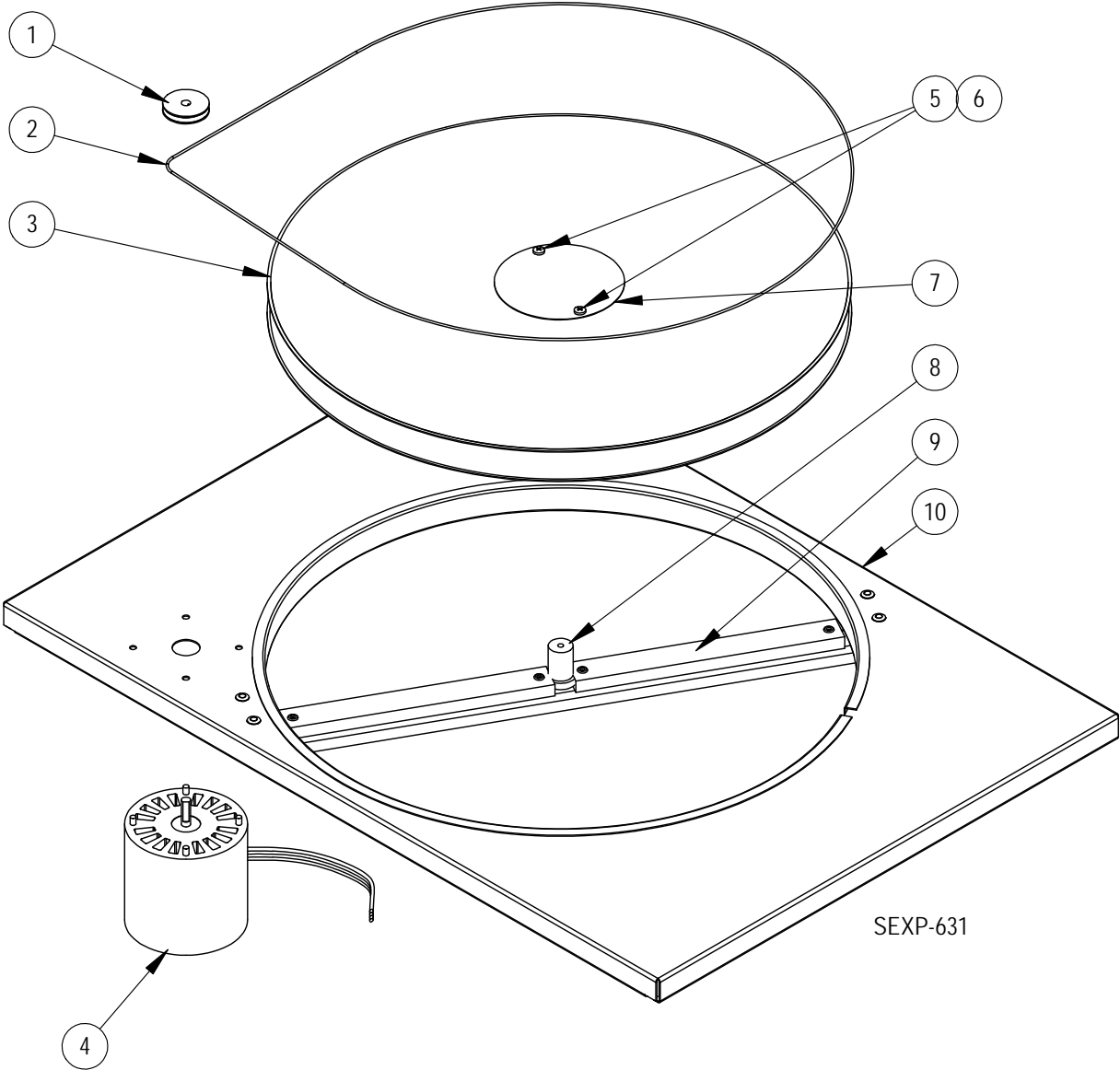


ERV CONTROL PANEL COMPONENTS


| Drawing No. | Part Number | Description | ERV Control Panel |
|-------------|-------------|-------------------------------|-------------------|
| 1 | 117-323 | Control Panel | X |
| 2 | 8552-070 | 3MFD 250V Capacitor | 2 |
| 3 | 8607-017 | Terminal Block | X |
| 4 | 3000-1410 | Cassette Motor Plug | 2 |
| 5 | 3000-1407 | Exhaust Speed Plug | X |
| 6 | 3000-1331 | Intake Plover Plug | X |
| 7 | 8201-124 | Blower Control Board | 2 |
| 8 | 8407-043 | 60VA Transformer | X |
| 9 | 3000-1356 | Intake Speed Plug | X |
| 10 | 3000-1358 | Exhaust Power Plug | X |
| 11 | 3000-1409 | Vent Section Plug | X |
| NS | 3000-1408 | Extension Plug | X |
| NS | 3000-1405 | Unit Control Panel Plug | X |
| NS | 8201-013 | Relay (in unit Control Panel) | X |

NS = Not Shown

ERV CASSETTE COMPONENTS

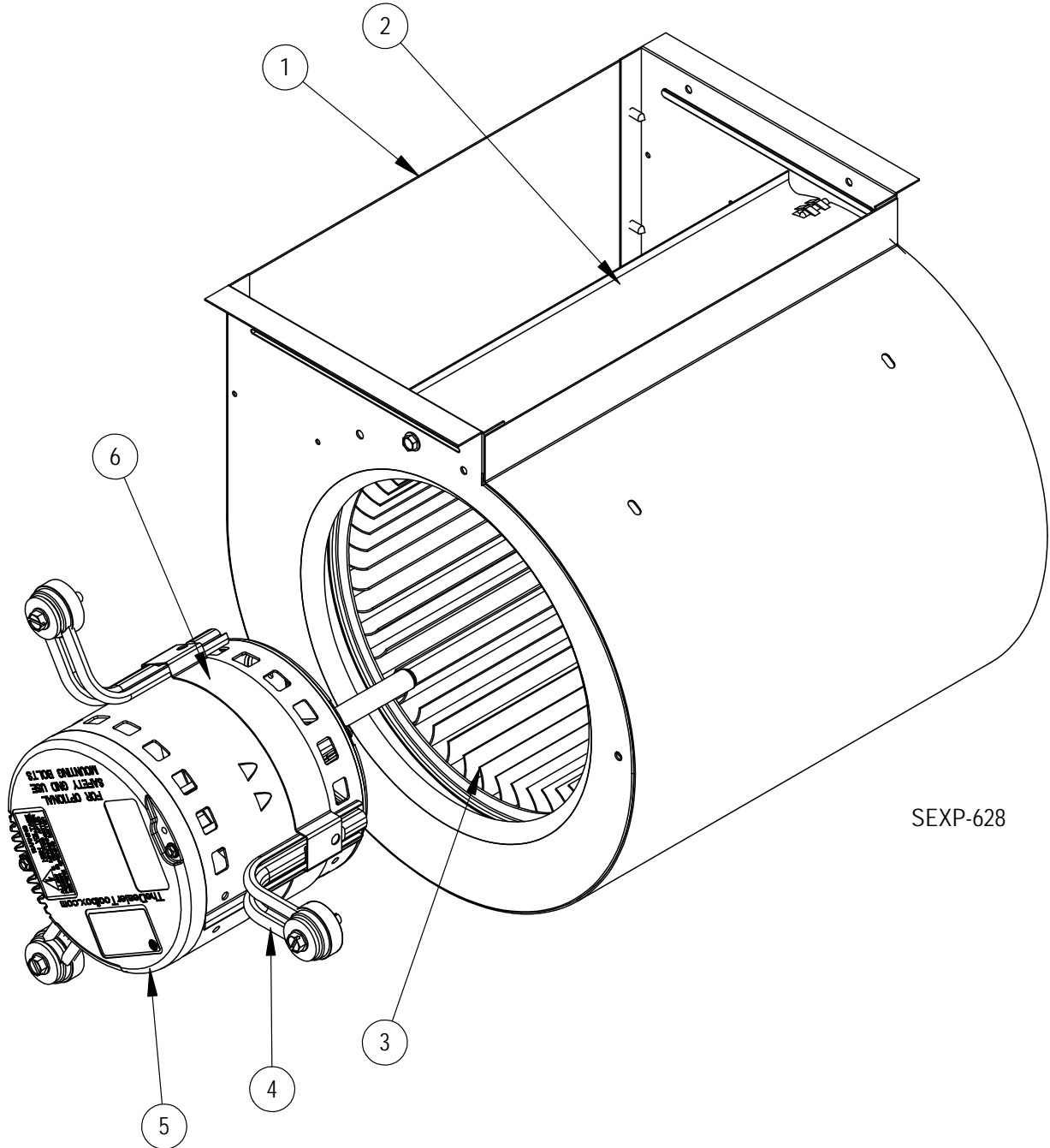


ERV CASSETTE COMPONENTS

| Drawing No. | Part Number | Description | 5070-055 Right Cassette | 5070-056 Left Cassette |
|-------------|--|-----------------------------------|-------------------------|------------------------|
| 1 | 5501-018 | Pulley | X | X |
| 2 | 5070-030  | Drive Belt | X | X |
| 3 | 5070-043 | Cassette Wheel | X | X |
| 4 | 8101-016 | Motor | X | X |
| 5 | 1012-164 | Machine Screw | 2 | 2 |
| 6 | 8611-111 | Nylon Spacer | 2 | 2 |
| 7 | 142-104 | Hub Cover | X | X |
| 8 | 1912-012 | Wheel Shaft | X | X |
| 9 | 105-1259 | Cassette Wheel Angle | X | X |
| 10 | 539X275 | Right Hand Cassette Plate | X | |
| 10 | 539Y275 | Left Hand Cassette Plate | | X |
| NS | 8620-204 | ERV Bearing, Shaft & Hardware Kit | X | X |
| NS | 8620-205 | ERV Shaft & Hardware Kit | X | X |

NS = Not Shown

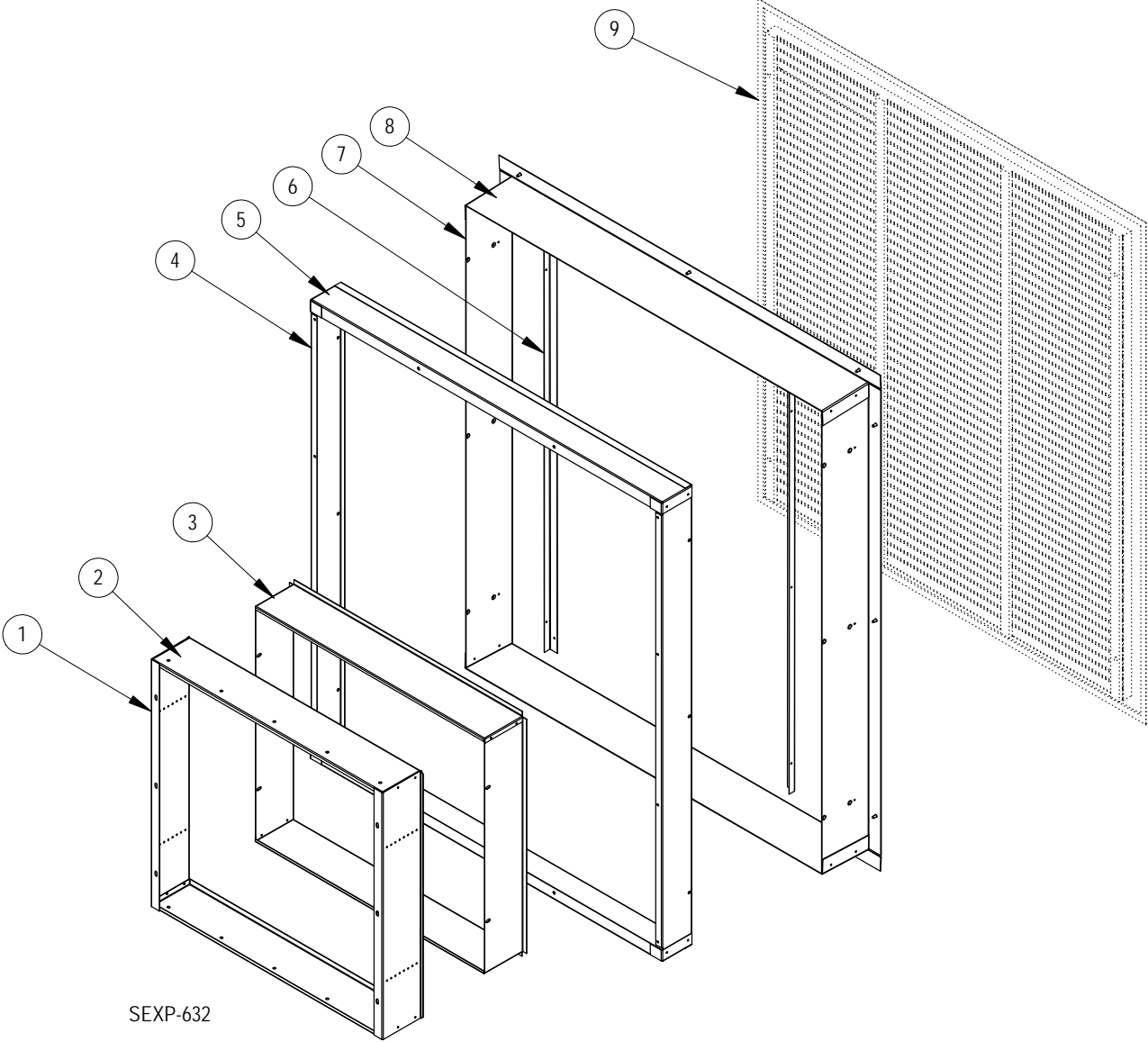
CRV / ERV BLOWER COMPONENTS



CRV / ERV BLOWER COMPONENTS

| Drawing No. | Part Number | Description | 900-318-001 | 900-318-002 | 900-319-001 | 900-319-002 |
|-------------|----------------|---------------------------------------|-------------|-------------|-------------|-------------|
| 1 | 151-124 | Blower Housing | X | X | X | X |
| 2 | 144-129 | Diffuser | X | X | X | X |
| 3 | 5152-067 | Blower Wheel | X | X | X | X |
| 4 | 8200-046 | Motor Mount Arm | 3 | 3 | 3 | 3 |
| 5 | S8105-056-0104 | 1/3 HP Programmed Motor – CRV Exhaust | X | | | |
| | S8105-056-0105 | 1/3 HP Programmed Motor – CRV Intake | | X | | |
| | S8105-059-0106 | 1/3 HP Programmed Motor – ERV Exhaust | | | X | |
| | S8105-059-0107 | 1/3 HP Programmed Motor – ERV Intake | | | | X |
| 6 | 8620-034 | Motor Mount Band | X | X | X | X |

SLEEVE COMPONENTS

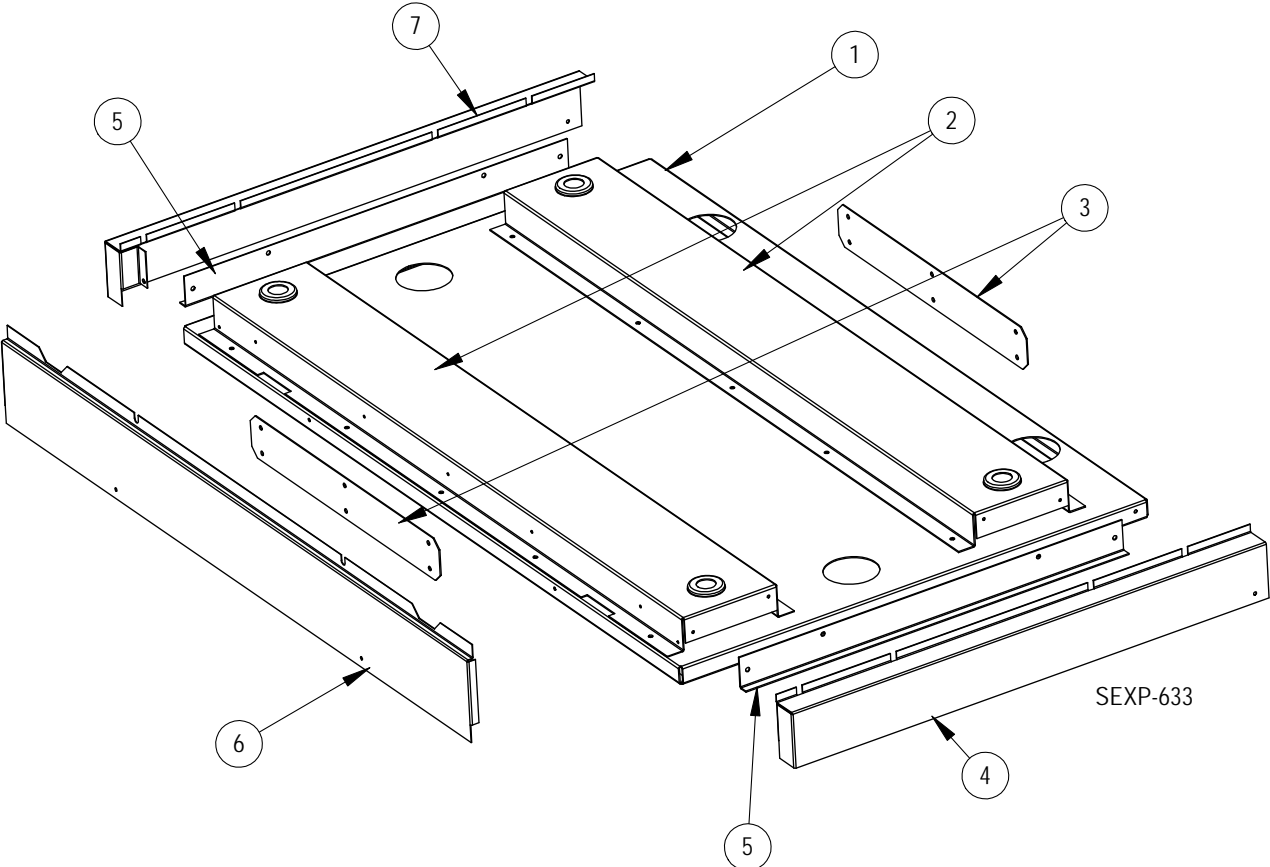


SEXP-632

SLEEVE COMPONENTS

| Drawing No. | Part Number | Description | IWS-A | IWS-B | IWS-C |
|-------------|---------------------|--|-------|-------|-------|
| 1 | S111-188-8 4½" Deep | Outer Sleeve Side | X | | |
| | S111-195-8 7" Deep | | | X | |
| | S111-202-8 12" Deep | | | | X |
| 2 | S111-187-8 4½" Deep | Outer Sleeve End | X | | |
| | S111-194-8 7" Deep | | | X | |
| | S111-201-8 12" Deep | | | | X |
| 3 | 111-189-8 4½" Deep | Inner Fan Sleeve Side | 2 | | |
| | 111-196-8 7" Deep | | | 2 | |
| | 111-203-8 12" Deep | | | | 2 |
| 4 | 111-186-8 3½" Deep | Inner Sleeve Side | X | | |
| | 111-193-8 6" Deep | | | X | |
| | 111-200-8 11" Deep | | | | X |
| 5 | 111-185-8 3½" Deep | Inner Sleeve End | X | | |
| | 111-192-8 6" Deep | | | X | |
| | 111-199-8 11" Deep | | | | X |
| 6 | 105-1257-8 | Grille Support Angle | 2 | 2 | 2 |
| 7 | 111-184-8 5½" Deep | Outer Sleeve Side | X | | |
| | 111-191-8 8" Deep | | | X | |
| | 111-198-8 13" Deep | | | | X |
| 8 | 111-183-8 5½" Deep | Outer Sleeve End | X | | |
| | 111-190-8 8" Deep | | | X | |
| | 111-197-8 13" Deep | | | | X |
| 9 | ILG-10 | Outdoor Louver Grille - Clear anodized | X | X | X |
| | ILG-20 | Outdoor Louver Grille - Medium Bronze | X | X | X |
| | ILG-30 | Outdoor Louver Grille - Dark Bronze | X | X | X |

RISER PLATFORM COMPONENTS



RISER PLATFORM COMPONENTS

| Drawing No. | Part Number | Description | IRP-3-* | IRP-6-* |
|-------------|------------------------------|-----------------------|---------|---------|
| 1 | 127-420-X | Base Plate | X | X |
| 2 | 141-384 3" 141-385 6" | Base Rail | 2 | 2 |
| 3 | 112-447 | Base Connection Plate | 2 | 2 |
| 4 | 135-311-* 3" 135-314-* 6" | Right Side Trim | X | X |
| 5 | 105-1263 3" 105-1264 6" | Side Support Angle | 2 | 2 |
| 6 | 135-309-* 3" 135-312-* 6" | Front Trim | X | X |
| 7 | 135-310-* 3" 135-313-* 6" | Left Side Trim | X | X |

* Exterior cabinet parts are manufactured with various paint color options. To ensure that you receive the proper paint color, please reference the following codes:

Beige -X
White -1
Buckeye Gray -4