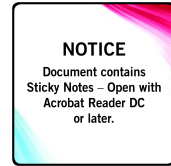


REPLACEMENT PARTS MANUAL

I-TEC® SERIES PACKAGED AIR CONDITIONER



Models:

| | | | | |
|---------|---------|---------|---------|---------|
| I30A1DA | I36A1DA | I42A1DA | I48A1DA | I60A1DA |
| I30A1DB | I36A1DB | I42A1DB | I48A1DB | I60A1DB |
| I30A1DC | I36A1DC | I42A1DC | I48A1DC | I60A1DC |

| Description | Page | Description | Page |
|---|------|---|------|
| Wiring Diagram Charts | | Modulating CRV Control Panel Components | |
| ♦ Matrix | 2 | ♦ Exploded View | 28 |
| Cabinet Components | | ♦ Usage List | 29 |
| ♦ Exploded View | 4 | ERV Components | |
| ♦ Usage List | 5 | ♦ Exploded View | 30 |
| Painted Cabinet Components | | ♦ Usage List | 31 |
| ♦ Exploded View | 6 | ERV Control Panel Components | |
| ♦ Usage List | 7 | ♦ Exploded View | 32 |
| Functional Components | | ♦ Usage List | 33 |
| ♦ Exploded View | 8 | ERV Cassette Components | |
| ♦ Usage List | 9 | ♦ Exploded View | 34 |
| ♦ Usage List | 10 | ♦ Usage List | 35 |
| Blower Assembly | | CRV/ERV Blower Components | |
| ♦ Exploded View | 11 | ♦ Exploded View | 36 |
| ♦ Usage List | 11 | ♦ Usage List | 37 |
| Control Panel Components - 1 Phase | | Sleeve Components | |
| ♦ Exploded View | 12 | ♦ Exploded View | 38 |
| ♦ Usage List | 13 | ♦ Usage List | 39 |
| Control Panel Components - 3 Phase | | Riser Platform Components | |
| ♦ Exploded View | 14 | ♦ Exploded View | 40 |
| ♦ Usage List | 15 | ♦ Usage List | 41 |
| Control Panel Components - 460V 3 Phase | | | |
| ♦ Exploded View | 16 | | |
| ♦ Usage List | 17 | | |
| Electric Heater Components | | | |
| ♦ Exploded View | 18 | | |
| ♦ Usage List | 19 | | |
| ♦ Usage List | 20 | | |
| ♦ Usage List | 21 | | |
| Vent Box (Only) Components | | | |
| ♦ Exploded View | 22 | | |
| ♦ Usage List | 23 | | |
| CRV Components | | | |
| ♦ Exploded View | 24 | | |
| ♦ Usage List | 25 | | |
| Modulating CRV Components | | | |
| ♦ Exploded View | 26 | | |
| ♦ Usage List | 27 | | |

General Notes

- Revised and/or additional pages may be issued from time to time.
- A complete and current manual consists of pages shown in the following contents section.

Important

- Contact the installing and/or local Bard distributor for all parts requirements. Be sure to have the complete model and serial number available from the unit rating plates.



Bard Manufacturing Company, Inc.
Bryan, Ohio 43506
www.bardhvac.com

Manual: 2110-593N
Supersedes: 2110-593M
Date: 6-21-17

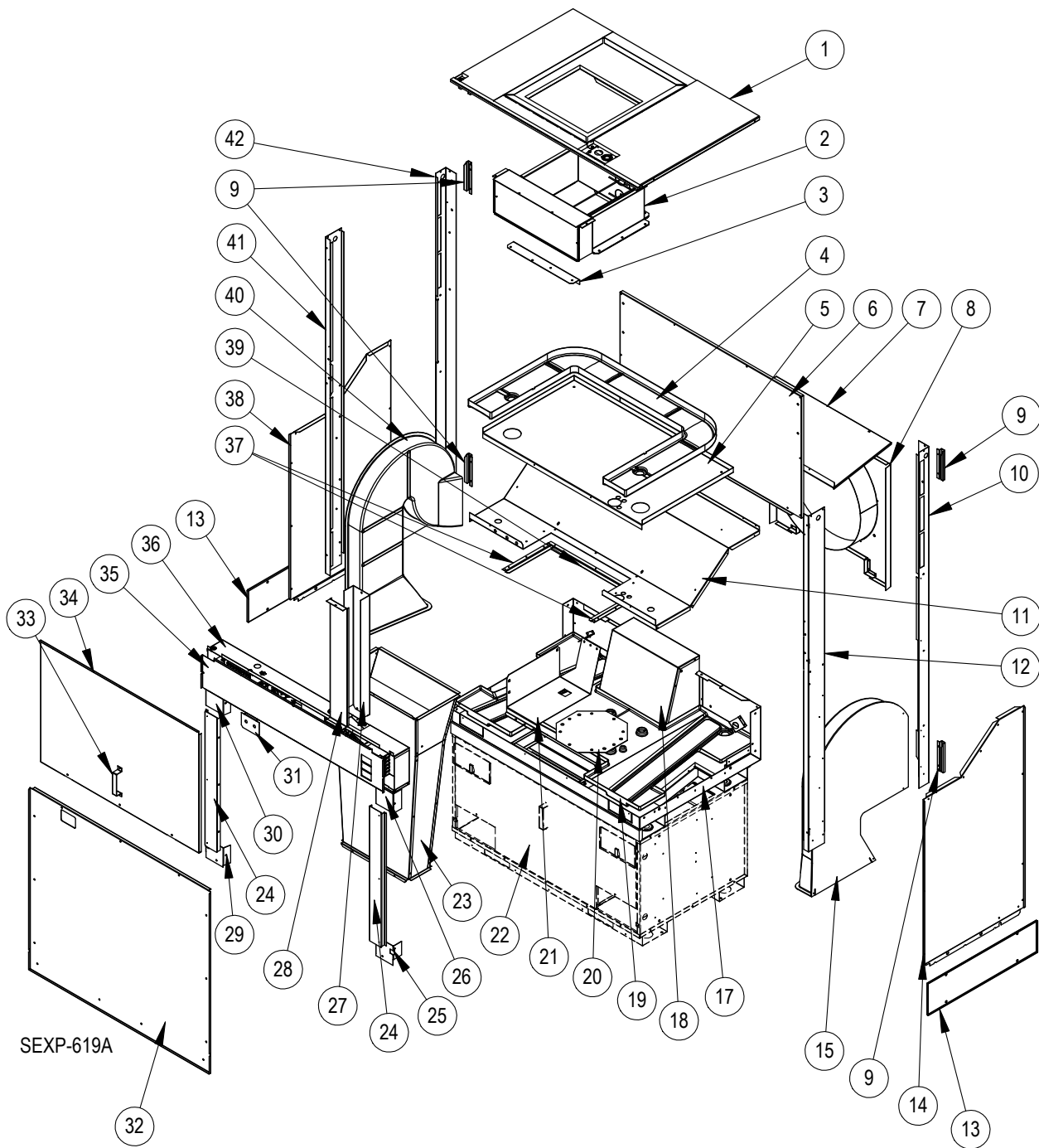
Climate Control Solutions

I**A1D SERIES WIRING DIAGRAM MATRIX

| Model | Wiring Diagram | Ventilation Package | Wiring Diagram | Heater | Wiring Diagram |
|---------|----------------|---------------------------------------|----------------|--------|----------------|
| I30A1DA | 4205-100F | Commercial Room Ventilator | 4204-103A | 0KW | 4203-100B |
| | | Energy Recovery Ventilator | 4204-104B | 5KW | 4203-101B |
| | | Economizer | 4204-105 | 10KW | 4203-106 |
| | | Modulating Commercial Room Ventilator | 4204-106 | | |
| I30A1DB | 4205-200F | Commercial Room Ventilator | 4204-103A | 0KW | 4203-200B |
| | | Energy Recovery Ventilator | 4204-104B | 6KW | 4203-201C |
| | | Economizer | 4204-105 | 9KW | 4203-201C |
| | | Modulating Commercial Room Ventilator | 4204-106 | | |
| I30A1DC | 4205-300G | Commercial Room Ventilator | 4204-103A | 0KW | 4203-300C |
| | | Energy Recovery Ventilator | 4204-104B | 6KW | 4203-301D |
| | | Economizer | 4204-105 | 9KW | 4203-301D |
| | | Modulating Commercial Room Ventilator | 4204-106 | 15KW | 4203-302D |
| I36A1DA | 4205-100F | Commercial Room Ventilator | 4204-103A | 0KW | 4203-100B |
| | | Energy Recovery Ventilator | 4204-104B | 5KW | 4203-101B |
| | | Economizer | 4204-105 | 10KW | 4203-106 |
| | | Modulating Commercial Room Ventilator | 4204-106 | 15KW | 4203-104B |
| I36A1DB | 4205-200F | Commercial Room Ventilator | 4204-103A | 0KW | 4203-200B |
| | | Energy Recovery Ventilator | 4204-104B | 6KW | 4203-201C |
| | | Economizer | 4204-105 | 9KW | 4203-201C |
| | | Modulating Commercial Room Ventilator | 4204-106 | 15KW | 4203-202B |
| I36A1DC | 4205-300G | Commercial Room Ventilator | 4204-103A | 0KW | 4203-300C |
| | | Energy Recovery Ventilator | 4204-104B | 6KW | 4203-301D |
| | | Economizer | 4204-105 | 9KW | 4203-301D |
| | | Modulating Commercial Room Ventilator | 4204-106 | 15KW | 4203-302D |
| I42A1DA | 4205-100F | Commercial Room Ventilator | 4204-103A | 0KW | 4203-100B |
| | | Energy Recovery Ventilator | 4204-104B | 5KW | 4203-101B |
| | | Economizer | 4204-105 | 10KW | 4203-106 |
| | | Modulating Commercial Room Ventilator | 4204-106 | 15KW | 4203-104B |
| I42A1DB | 4205-200F | Commercial Room Ventilator | 4204-103A | 0KW | 4203-200B |
| | | Energy Recovery Ventilator | 4204-104B | 6KW | 4203-201C |
| | | Economizer | 4204-105 | 9KW | 4203-201C |
| | | Modulating Commercial Room Ventilator | 4204-106 | 15KW | 4203-202B |
| I42A1DC | 4205-300G | Commercial Room Ventilator | 4204-103A | 0KW | 4203-300C |
| | | Energy Recovery Ventilator | 4204-104B | 6KW | 4203-301D |
| | | Economizer | 4204-105 | 9KW | 4203-301D |
| | | Modulating Commercial Room Ventilator | 4204-106 | 15KW | 4203-302D |
| I48A1DA | 4205-100F | Commercial Room Ventilator | 4204-103A | 0KW | 4203-100B |
| | | Energy Recovery Ventilator | 4204-104B | 4KW | 4203-101B |
| | | Economizer | 4204-105 | 5KW | 4203-102B |
| | | Modulating Commercial Room Ventilator | 4204-106 | 10KW | 4203-106 |
| | | | | 15KW | 4203-104B |
| | | | | 20KW | 4203-105B |
| I48A1DB | 4205-200F | Commercial Room Ventilator | 4204-103A | 0KW | 4203-200B |
| | | Energy Recovery Ventilator | 4204-104B | 6KW | 4203-201C |
| | | Economizer | 4204-105 | 9KW | 4203-201C |
| | | Modulating Commercial Room Ventilator | 4204-106 | 15KW | 4203-202B |
| I48A1DC | 4205-300G | Commercial Room Ventilator | 4204-103A | 0KW | 4203-300C |
| | | Energy Recovery Ventilator | 4204-104B | 6KW | 4203-301D |
| | | Economizer | 4204-105 | 9KW | 4203-301D |
| | | Modulating Commercial Room Ventilator | 4204-106 | 15KW | 4203-302D |
| I60A1DA | 4205-100F | Commercial Room Ventilator | 4204-103A | 0KW | 4203-100B |
| | | Energy Recovery Ventilator | 4204-104B | 4KW | 4203-101B |
| | | Economizer | 4204-105 | 5KW | 4203-102B |
| | | Modulating Commercial Room Ventilator | 4204-106 | 10KW | 4203-106 |
| | | | | 15KW | 4203-104B |
| | | | | 20KW | 4203-105B |
| I60A1DB | 4205-200F | Commercial Room Ventilator | 4204-103A | 0KW | 4203-200B |
| | | Energy Recovery Ventilator | 4204-104B | 6KW | 4203-201C |
| | | Economizer | 4204-105 | 9KW | 4203-201C |
| | | Modulating Commercial Room Ventilator | 4204-106 | 15KW | 4203-202B |
| | | | | 18KW | 4203-202B |
| I60A1DC | 4205-300G | Commercial Room Ventilator | 4204-103A | 0KW | 4203-300C |
| | | Energy Recovery Ventilator | 4204-104B | 6KW | 4203-301D |
| | | Economizer | 4204-105 | 9KW | 4203-301D |
| | | Modulating Commercial Room Ventilator | 4204-106 | 15KW | 4203-302D |
| | | | | 18KW | 4203-302D |

This page intentionally left blank

CABINET COMPONENTS

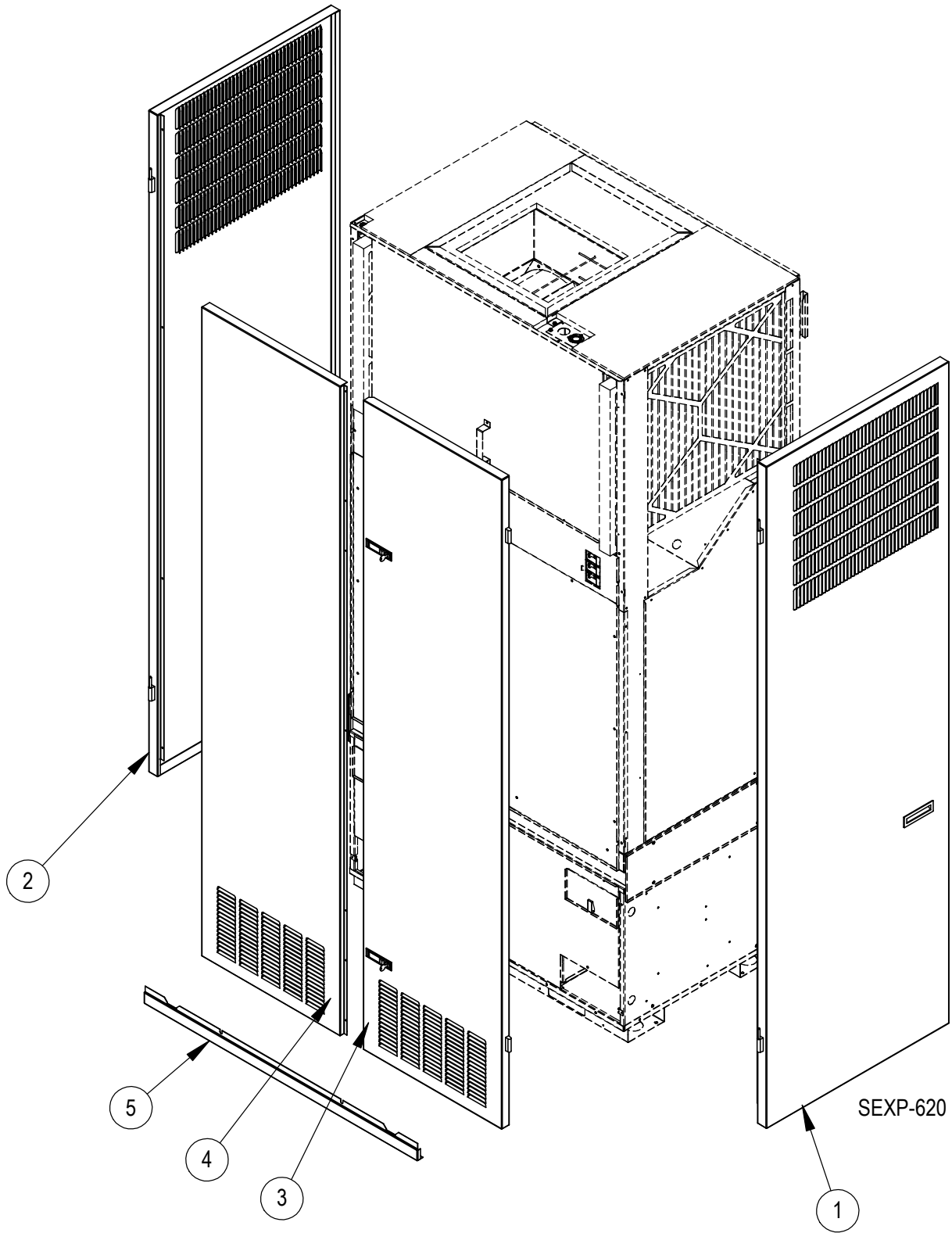


CABINET COMPONENTS

| Drawing No. | Part Number | Description | All Models |
|-------------|---------------------------|---|------------|
| 1 | S507-296 | Top Assembly | X |
| 2 | See Heater Pkg. Section | Heater Package | X |
| 3 | 105-1256 | Front blower angle | X |
| 4 | 6096-001 | Indoor drain pan | X |
| 5 | S141-383 | Evap. Coil Support | X |
| 6 | 509-259-8 | Unit Back Assembly | X |
| 7 | S137-641 | Cond. Coil Top Fill | X |
| 8 | S125-065 | Fan Shroud/Venturi Assembly | X |
| 9 | 113-439 | Side Bracket | 4 |
| 10 | S149-120 | Right Rear Corner | X |
| 11 | S121-456 | Condenser Partition | X |
| 12 | S149-123 | Right Front Corner | X |
| 13 | 113-630 | Unit Connection Bracket | 2 |
| 14 | S101X635 | Right Inner Side Panel | X |
| 15 | 7001-026 | Right Hand Inlet Duct (used on CRV & ERV units only) | X |
| 17 | S127-522 | Condenser Base Assembly | X |
| 18 | S921-0003 | Exhaust Duct Assembly | X |
| 19 | 6096-009 | Outdoor Drain Pan | X |
| 20 | 126-417 | Compressor Mounting Base | X |
| 21 | 113-595 | 460V trans. Mtg brkt. (I36-42-48) | X |
| | 113-449 | 460V trans. Mtg brkt. (I60 Only) | X |
| 22 | See Vent Section | Vent Option | X |
| 23 | 511-177 | Intake Duct Assembly (used on CRV and ERV units only) | X |
| 24 | S141-391 | Condenser Coil Access Door | X |
| 25 | S141X390 | Lower Right Condenser Coil Support | X |
| 26 | S141X389 | Upper Right Condenser Coil Support | X |
| 27 | 165-603 | High Voltage Wire Channel | X |
| 28 | 143-202 | High Voltage Wire Channel Cover | X |
| 29 | S141Y390 | Lower Left Condenser Coil Support | X |
| 30 | S141Y389 | Upper Left Condenser Coil Support | X |
| 31 | S113-440 | Dual Service Port Bracket | X |
| 32 | S553-498 | Condenser Door | X |
| 33 | 113-441 | Door Latch Bracket | X |
| 34 | S553-496 | Evaporator Door | X |
| 35 | S153-497 | Control Panel Door (230V Units) | X |
| | S153-501 | Control Panel Door (460V Units) | X |
| 36 | See Control Panel Section | Control Panel | X |
| 37 | 103-493 | Cond. Partition Side Offset | 2 |
| 38 | S101Y635 | Left Inner Side Panel | X |
| 39 | 103-494 | Cond. Partition Rear Offset | X |
| 40 | 7001-027 | Left Hand Inlet Duct (used on CRV & ERV units only) | X |
| 41 | S149-121 | Left Front Corner | X |
| 42 | S149-122 | Left Rear Corner | X |
| NS | S113-426 | Top Mounting Bracket | X |

NS = Not Shown

PAINTED CABINET COMPONENTS



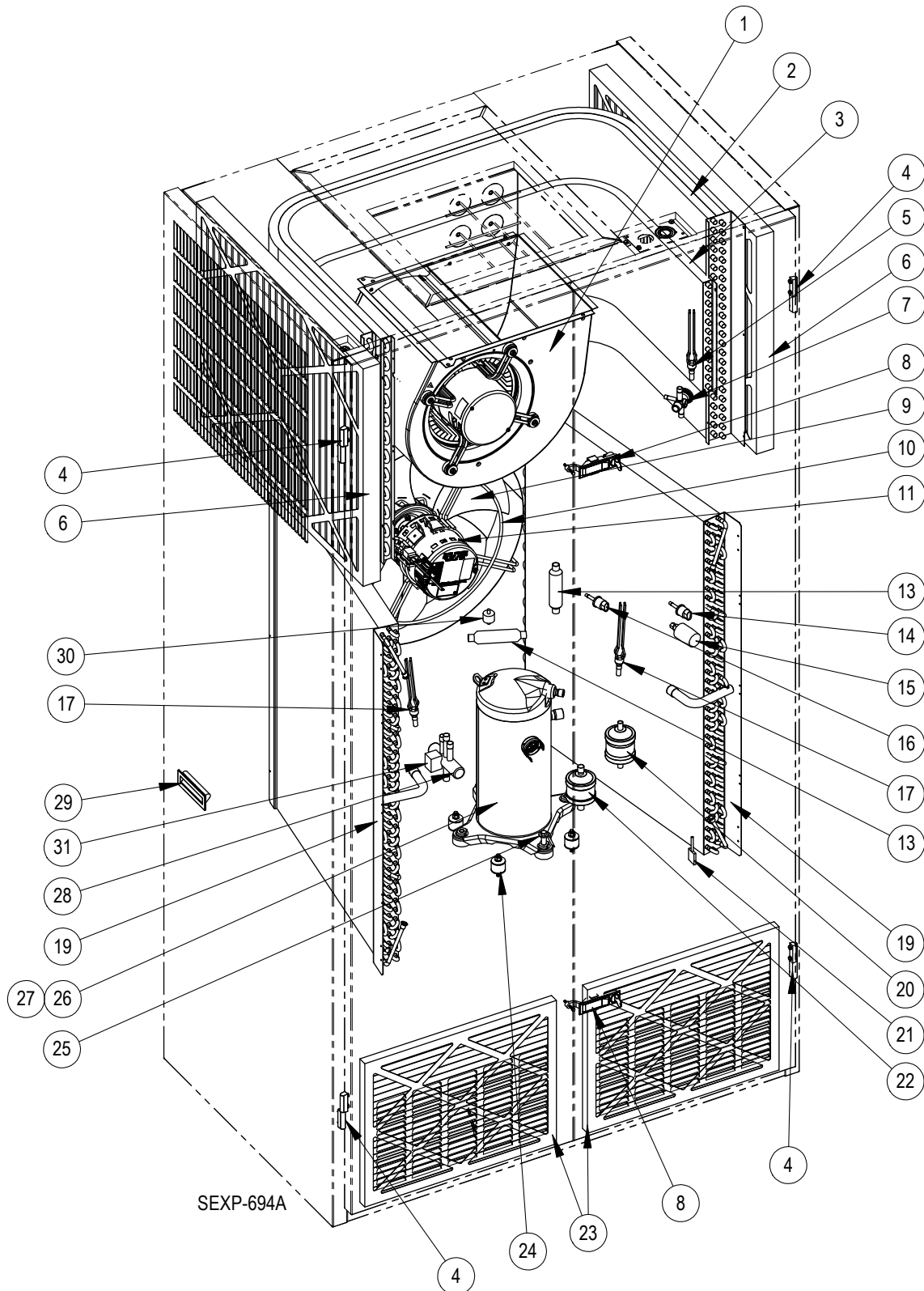
PAINTED CABINET COMPONENTS

| Drawing No. | Part Number | Description | All Models |
|-------------|-------------|------------------|------------|
| 1 | 501-636-* | Right Side | X |
| 2 | 501-637-* | Left Side | X |
| 3 | S553-500-* | Right Front Door | X |
| 4 | S553-499-* | Left Front Door | X |
| 5 | 115-206-* | Front Unit Trim | X |

* Exterior cabinet parts are manufactured with various paint color options. To ensure the proper paint color is received, reference the following codes:

- Beige -X
- White -1
- Buckeye Gray -4

FUNCTIONAL COMPONENTS



FUNCTIONAL COMPONENTS

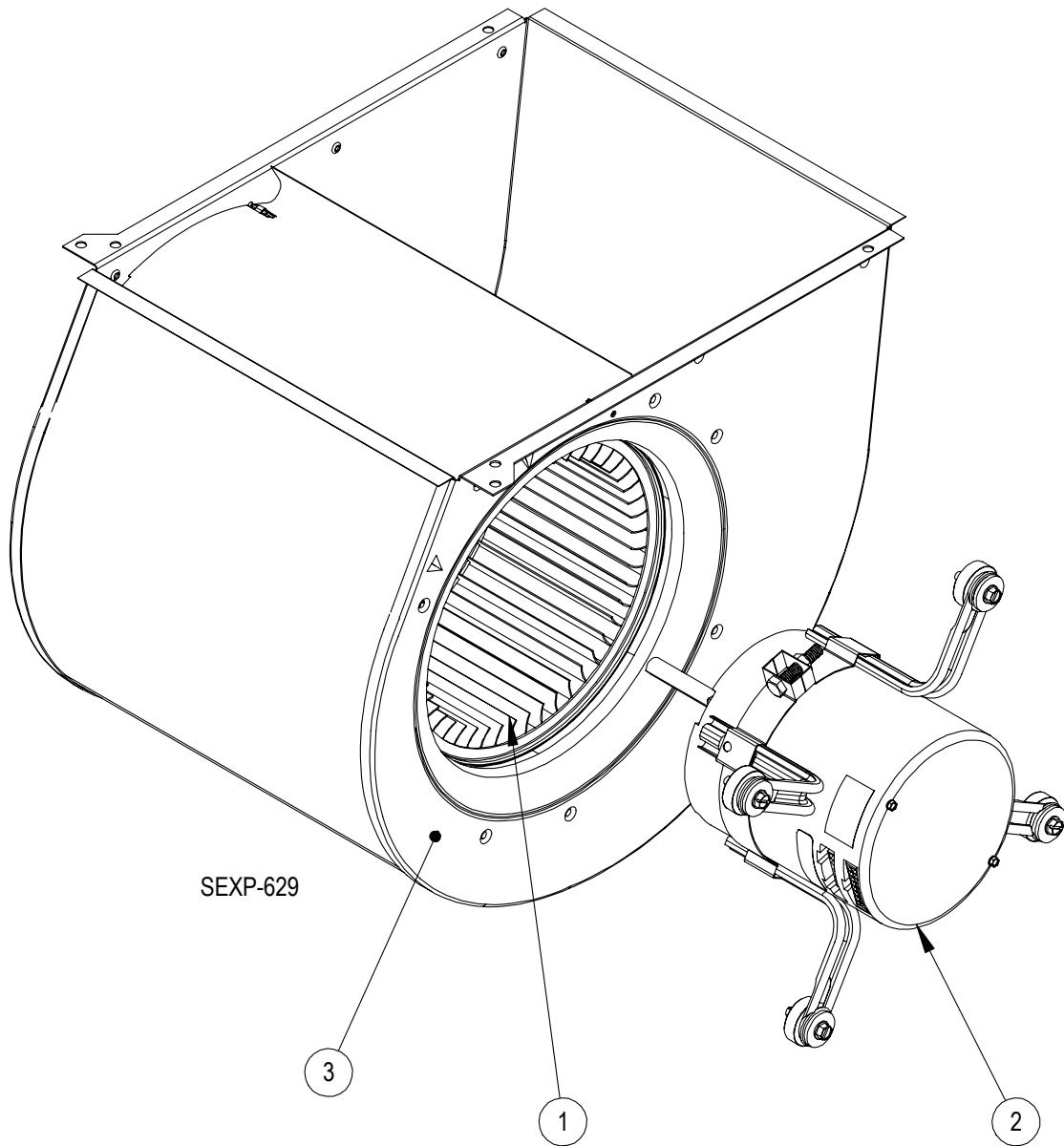
| Drawing No. | Part Number | Description | I30A1DA | I30A1DB | I30A1DC | I36A1DA | I36A1DB | I36A1DC | I42A1DA | I42A1DB | I42A1DC | I48A1DA | I48A1DB | I48A1DC | I60A1DA | I60A1DB | I60A1DC |
|-------------|----------------|---|---------|---------|---------|---------|---------|---------|---------|---------|---------|---------|---------|---------|---------|---------|---------|
| 1 | S5154-002-0090 | Complete Blower Assembly See Blower section for individual components | X | X | X | | | | | | | | | | | | |
| | S5154-005-0089 | | | | | X | X | X | | | | | | | | | |
| | S5154-005-0088 | | | | | | | | X | X | X | | | | | | |
| | S5154-005-0087 | | | | | | | | | | | X | X | X | | | |
| | S5154-006-0081 | | | | | | | | | | | | | | | X | X |
| 2 | 5060-174BX | Evaporator Coil | X | X | X | | | | | | | | | | | | |
| | 5060-168BX | | | | | X | X | X | X | X | X | X | X | X | | | |
| | 5060-175BX | | | | | | | | | | | | | | | X | X |
| 3 | 5051-173BX | Dehumidification Reheat Coil | X | X | X | | | | | | | | | | | | |
| | 5051-174BX | | | | | X | X | X | X | X | X | | | | | | |
| | 5051-175BX | | | | | | | | | | | X | X | X | X | X | X |
| 4 | 5400-006 | Polymide Lift-Off Hinge | 4 | 4 | 4 | 4 | 4 | 4 | 4 | 4 | 4 | 4 | 4 | 4 | 4 | 4 | |
| 5 | 5625-014 | Distributor | X | X | X | | | | | | | | | | | | |
| | 5625-007 | | | | | X | X | X | X | X | X | X | X | X | | | |
| | 5625-008 | | | | | | | | | | | | | | | X | X |
| 6 | 7004-050 | MERV 8 Filter MERV 11 Filter MERV 13 Filter | 2 | 2 | 2 | 2 | 2 | 2 | 2 | 2 | 2 | 2 | 2 | 2 | 2 | 2 | 2 |
| | 7004-051 | | | | | | | | | | | | | | | | |
| | 7004-053 | | | | | | | | | | | | | | | | |
| 7 | 5651-210 | Expansion Valve | X | X | X | | | | | | | | | | | | |
| | 5651-212 | | | | | | | | | | | X | X | X | | | |
| | 5651-211 | | | | | X | X | X | X | X | X | | | | | | |
| | 5651-241 | | | | | | | | | | | | | | | X | X |
| 8 | 1171-063 | Lockable Latch | 2 | 2 | 2 | 2 | 2 | 2 | 2 | 2 | 2 | 2 | 2 | 2 | 2 | 2 | |
| 9 | 5151-058 | Fan Blade | X | X | X | X | X | X | X | X | X | X | X | X | X | X | |
| 10 | 8200-045 | Fan Mount | X | X | X | X | X | X | X | X | X | X | X | X | X | X | |
| 11 | S8105-058-0109 | Programmed Outdoor Motor | X | X | X | | | | | | | | | | | | |
| | S8105-058-0095 | | | | | X | X | X | X | X | X | | | | | | |
| | S8106-054-0096 | | | | | | | | | | | X | X | X | X | X | X |
| 13 | 5651-219 | Check Valve | 2 | 2 | 2 | 2 | 2 | 2 | 2 | 2 | 2 | 2 | 2 | 2 | 2 | 2 | |
| 14 | 8406-142 | High Pressure Switch, 650 PSIG | X | X | X | X | X | X | X | X | X | X | X | X | X | X | |
| 15 | 8406-112 | Low Ambient Control | X | X | X | X | X | X | X | X | X | X | X | X | X | X | |
| 16 | 8406-140 | Low Pressure Switch | X | X | X | X | X | X | X | X | X | X | X | X | X | X | |
| 17 | 5625-013 | Distributor | 2 | 2 | 2 | 2 | 2 | 2 | 2 | 2 | | | | | | | |
| | 5625-007 | | | | | | | | | | | 2 | 2 | 2 | 2 | 2 | 2 |
| 19 | 5051-190BX | Condenser Coil | 2 | 2 | 2 | | | | | | | | | | | | |
| | 5051-189BX | | | | | 2 | 2 | 2 | 2 | 2 | 2 | | | | | | |
| | 5051-191BX | | | | | | | | | | | 2 | 2 | 2 | 2 | 2 | 2 |
| 20 | 5201-022 | Filter-Drier | X | X | X | X | X | X | X | X | X | X | X | X | X | X | |

FUNCTIONAL COMPONENTS

| Drawing No. | Part Number | Description | I30A1DA | I30A1DB | I30A1DC | I36A1DA | I36A1DB | I36A1DC | I42A1DA | I42A1DB | I42A1DC | I48A1DA | I48A1DB | I48A1DC | I60A1DA | I60A1DB | I60A1DC | |
|-------------|-------------|-------------------------------|---------|---------|---------|---------|---------|---------|---------|---------|---------|---------|---------|---------|---------|---------|---------|--|
| 22 | 5220-013 | Pulsation Dampener/Muffler | X | X | X | X | X | X | X | X | X | X | X | X | X | X | X | |
| 23 | 7004-003 | Filter | 2 | 2 | 2 | 2 | 2 | 2 | 2 | 2 | 2 | 2 | 2 | 2 | 2 | 2 | 2 | |
| 24 | 8001-013 | Compressor Grommet | 4 | 4 | 4 | 4 | 4 | 4 | 4 | 4 | 4 | 4 | 4 | 4 | 4 | 4 | 4 | |
| 25 | 1012-328 | Compressor Bolt | 4 | 4 | 4 | 4 | 4 | 4 | 4 | 4 | 4 | 4 | 4 | 4 | 4 | 4 | 4 | |
| 26 | 8000-388 | Compressor | X | | | | | | | | | | | | | | | |
| | 8000-389 | | | X | | | | | | | | | | | | | | |
| | 8000-390 | | | | X | | | | | | | | | | | | | |
| | 8000-379 | | | | | X | | | | | | | | | | | | |
| | 8000-380 | | | | | | X | | | | | | | | | | | |
| | 8000-381 | | | | | | | X | | | | | | | | | | |
| | 8000-391 | | | | | | | | X | | | | | | | | | |
| | 8000-392 | | | | | | | | | X | | | | | | | | |
| | 8000-393 | | | | | | | | | | X | | | | | | | |
| | 8000-382 | | | | | | | | | | | X | | | | | | |
| | 8000-383 | | | | | | | | | | | | X | | | | | |
| | 8000-384 | | | | | | | | | | | | | X | | | | |
| | 8000-424 | | | | | | | | | | | | | | | X | | |
| 8000-425 | | | | | | | | | | | | | | | X | | | |
| 8000-426 | | | | | | | | | | | | | | | | X | | |
| 27 | 8002-012 | Compressor Sound Cover | X | X | X | X | X | X | X | X | X | | | | | | | |
| | 8002-013 | | | | | | | | | | | X | X | X | X | X | X | |
| 28 | 5650-051 | Dehum. Valve, 4-Pipe | X | X | X | X | X | X | X | X | X | X | X | X | X | X | X | |
| 29 | 1171-060 | Flush Plastic Door Pull | 2 | 2 | 2 | 2 | 2 | 2 | 2 | 2 | 2 | 2 | 2 | 2 | 2 | 2 | 2 | |
| 30 | 5451-018 | Motor Mount Grommet | 2 | 2 | 2 | 2 | 2 | 2 | 2 | 2 | 2 | 2 | 2 | 2 | 2 | 2 | 2 | |
| NS | 6094-011 | 3/4" Barbed Drain Pan Fitting | 4 | 4 | 4 | 4 | 4 | 4 | 4 | 4 | 4 | 4 | 4 | 4 | 4 | 4 | 4 | |
| NS | 6001-016 | Nylon Barbed Tee | X | X | X | X | X | X | X | X | X | X | X | X | X | X | X | |
| NS | 7950-021 | 1" Hose Clamp | 8 | 8 | 8 | 8 | 8 | 8 | 8 | 8 | 8 | 8 | 8 | 8 | 8 | 8 | 8 | |
| NS | 910-1977 | Evap. Overflow Switch Ass'y | X | X | X | X | X | X | X | X | X | X | X | X | X | X | X | |
| NS | 6031-009 | Coremax Valve Core | X | X | X | X | X | X | X | X | X | X | X | X | X | X | X | |

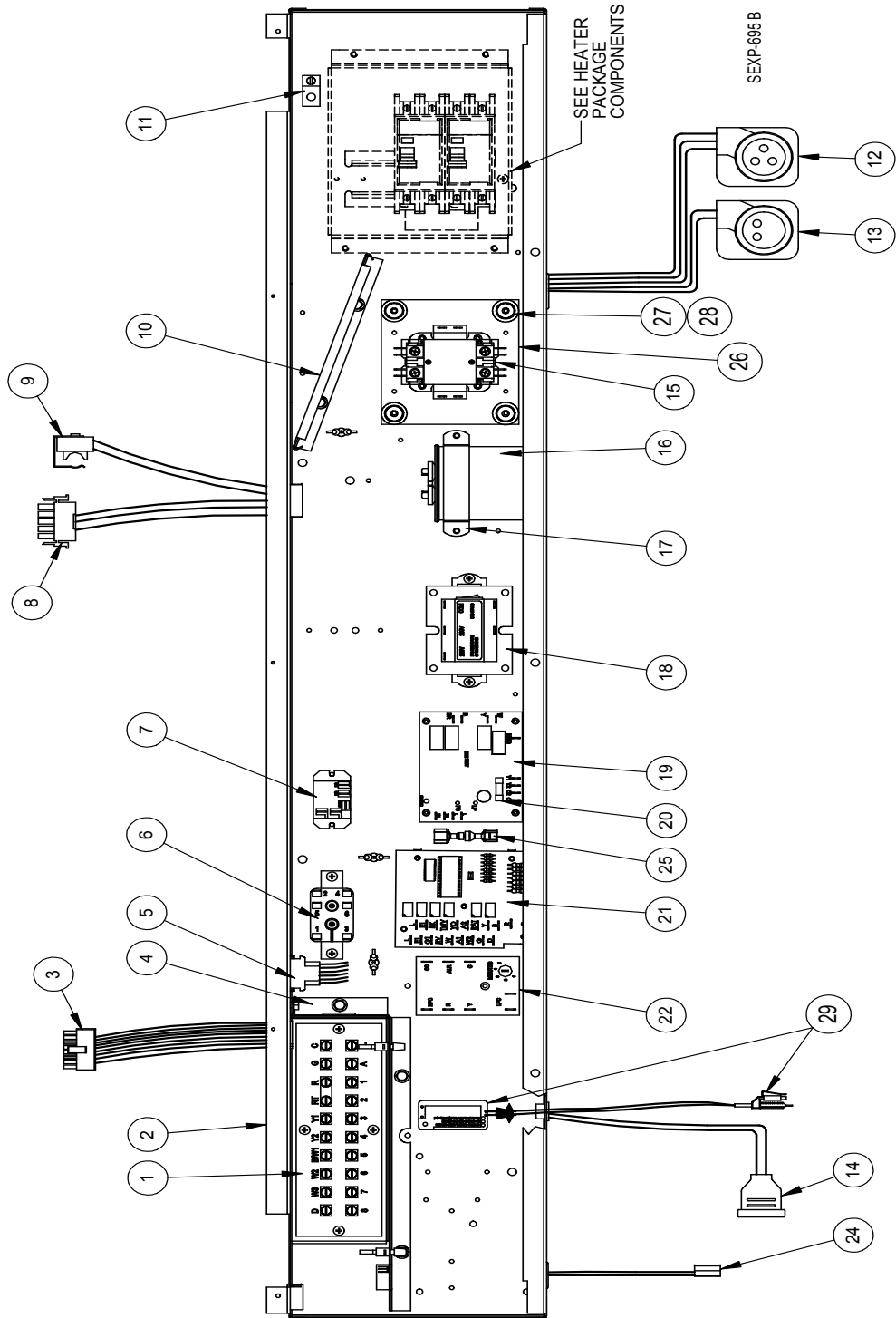
NS = Not Shown

BLOWER ASSEMBLY COMPONENTS



| Drawing No. | Part Number | Description | 5154-002-0090 | 5154-005-0089 | 5154-005-0088 | 5154-005-0087 | 5154-006-0081 |
|-------------|----------------|-------------------------|---------------|---------------|---------------|---------------|---------------|
| 1 | 5152-049 | Blower Wheel | X | X | X | X | X |
| 2 | S8105-059-0090 | 1/3 HP Programmed Motor | X | | | | |
| | S8106-051-0089 | 3/4 HP Programmed Motor | | X | | | |
| | S8106-051-0088 | 3/4 HP Programmed Motor | | | X | | |
| | S8106-051-0087 | 3/4 HP Programmed Motor | | | | X | |
| | S8107-016-0081 | 1 HP Programmed Motor | | | | | X |
| 3 | 151-122 | Housing | X | X | X | X | X |

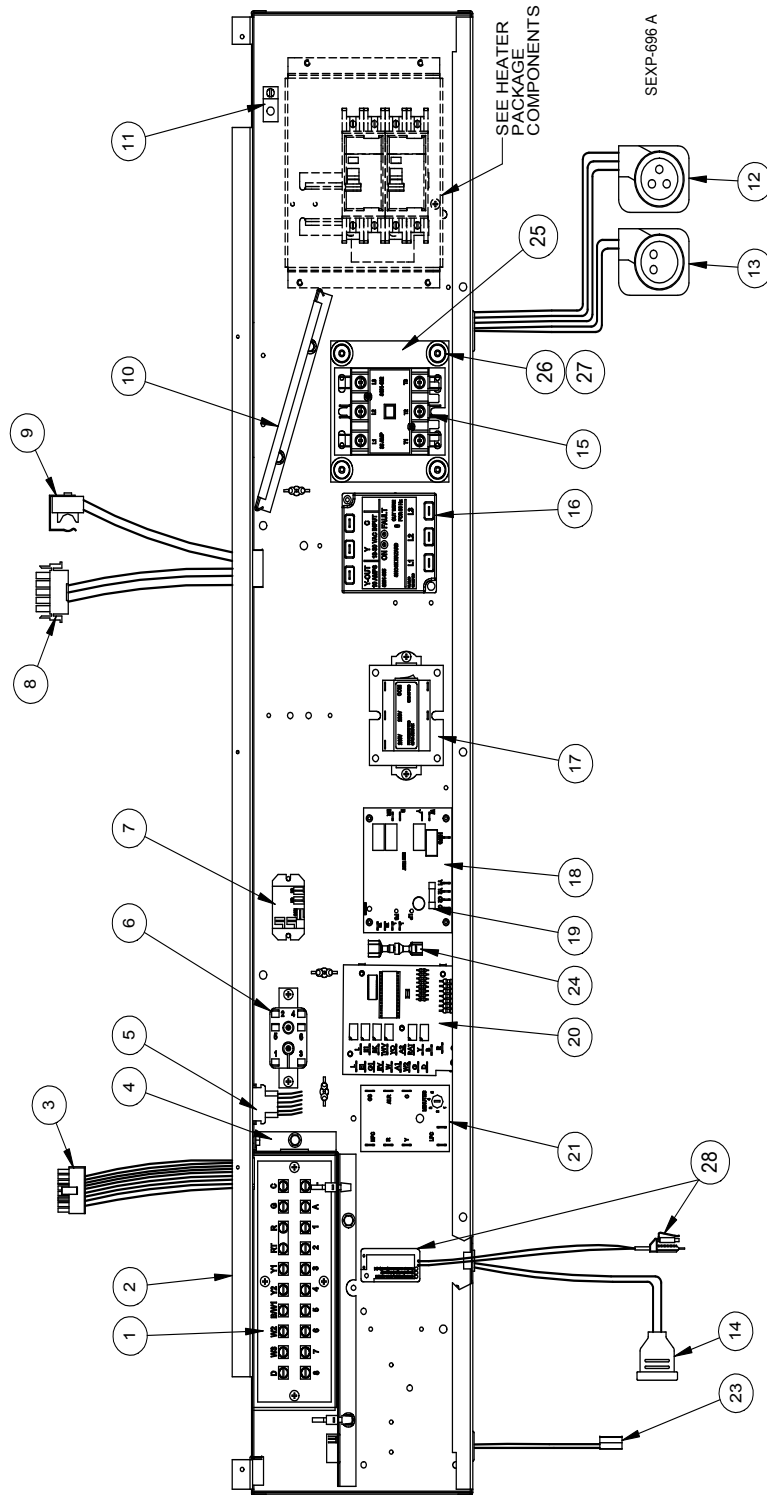
CONTROL PANEL COMPONENTS - 1 PHASE



CONTROL PANEL COMPONENTS – 1 PHASE

| Drawing No. | Part Number | Description | I30A1DA | I36A1DA | I42A1DA | I48A1DA | I60A1DA |
|-------------|-------------|--|---------|---------|---------|---------|---------|
| 1 | 8607-032 | Low Voltage Terminal Strip | X | X | X | X | X |
| 2 | 517-391 | Control Panel | X | X | X | X | X |
| 3 | 3000-1396 | 16 pin 24V Indoor Blower Motor Control | X | X | X | X | X |
| 4 | 117-319 | Low Voltage terminal box | X | X | X | X | X |
| 5 | 3000-1397 | 6 Pin Elect. Heat | X | X | X | X | X |
| 6 | 8201-062 | Relay | X | X | X | X | X |
| 7 | 8201-130 | Relay | X | X | X | X | X |
| 8 | 3000-1398 | 5 Pin Indoor Blower Motor Power | X | X | X | X | X |
| 9 | 8408-048 | Freeze protect thermostat | X | X | X | X | X |
| 10 | 135-319 | Wire Shield | X | X | X | X | X |
| 11 | 8611-006 | Ground Terminal | X | X | X | X | X |
| 12 | 3000-1222 | Compressor Power Plug | X | X | X | X | X |
| 13 | 3000-1223 | Compressor Solenoid Plug | X | X | X | X | X |
| 14 | 5650-044 | Solenoid Valve plug | X | X | X | X | X |
| 15 | 8401-025 | Contacto 2 Pole 40 Amp | X | X | X | X | X |
| 16 | 8552-035 | Capacitor 40MFD 370V | X | X | | | |
| | 8552-043 | Capacitor 45MFD 370V | | | X | | |
| | 8552-095 | Capacitor 30MFD 370V | | | | X | |
| | 8552-096 | Capacitor 40MFD 440V | | | | | X |
| 17 | 8550-007 | Capacitor Bracket 2" Round | X | X | | | X |
| | 8550-008 | Capacitor Bracket 2-1/2" Round | | | X | | |
| | 8550-006 | Capacitor Bracket 1-3/4" Round | | | | X | |
| 18 | 8407-048 | Transformer 75VA with Circuit Breaker | X | X | X | X | X |
| 19 | 8201-166 | Fan Logic Control | X | X | X | X | X |
| 20 | 8614-052 | 3.15 Amp Fuse | X | X | X | X | X |
| 21 | 8201-113 | Dehum Logic Board | X | X | X | X | X |
| 22 | 8201-088 | Compressor Control Module | X | X | X | X | X |
| 24 | 8408-043 | Fan Control Thermistor | X | X | X | X | X |
| 25 | 910-1816 | Fan Control Resistor (Optional) | X | X | X | X | X |
| 26 | 116-332 | Contacto Isolation Plate | X | X | X | X | X |
| 27 | 5451-025 | Rubber Grommet | X | X | X | X | X |
| 28 | 5451-026 | Nylon Flanged Bushing | X | X | X | X | X |
| 29 | 910-1914 | Overflow Switch Assembly | X | X | X | X | X |

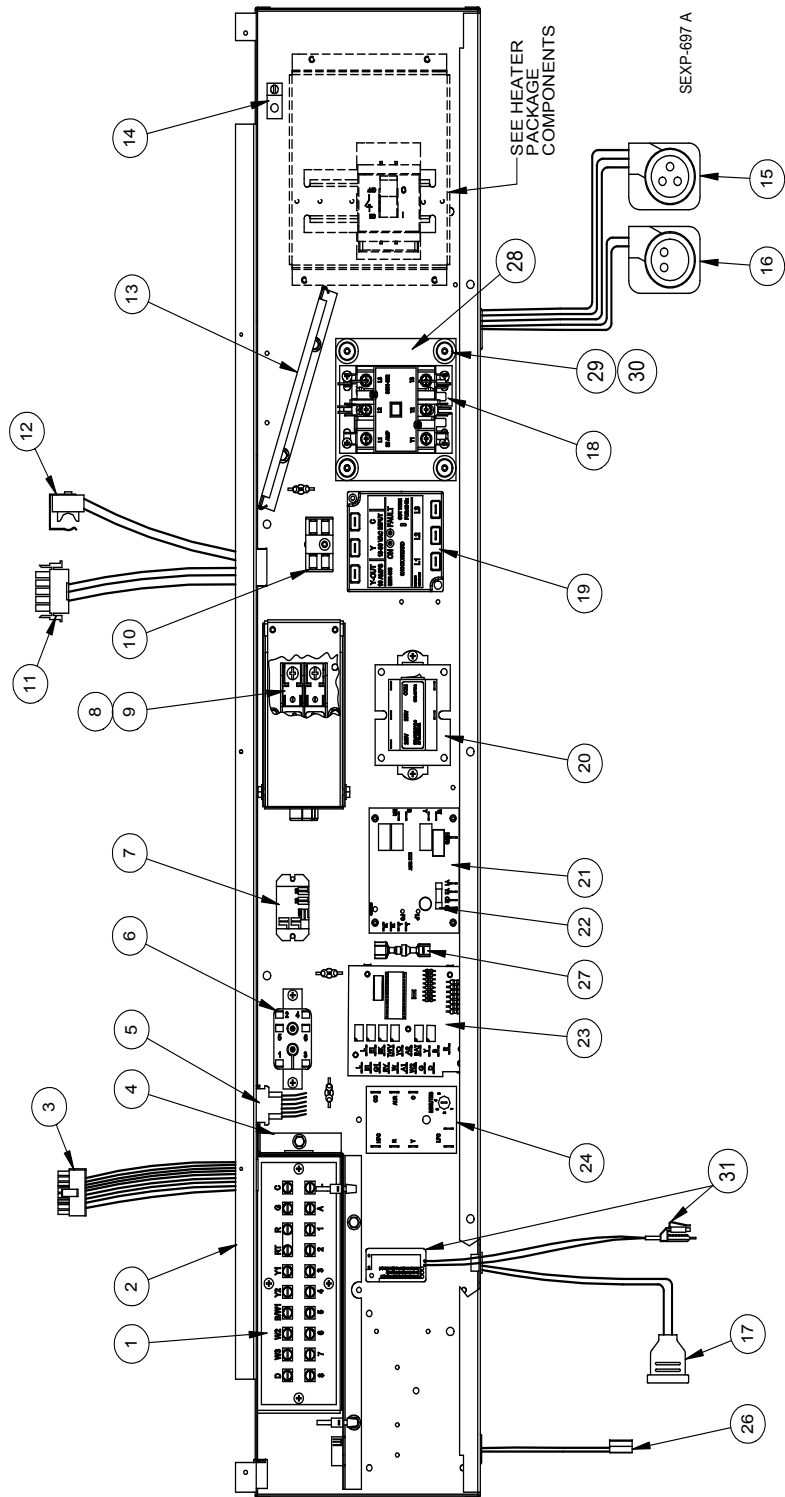
CONTROL PANEL COMPONENTS - 3 PHASE



CONTROL PANEL COMPONENTS – 3 PHASE

| Drawing No. | Part Number | Description | I30A1DB | I36A1DB | I42A1DB | I48A1DB | I60A1DB |
|-------------|-------------|--|---------|---------|---------|---------|---------|
| 1 | 8607-032 | Low Voltage Terminal Strip | X | X | X | X | X |
| 2 | 517-391 | Control Panel | X | X | X | X | X |
| 3 | 3000-1396 | 16 pin 24V Indoor Blower Motor Control | X | X | X | X | X |
| 4 | 117-319 | Low Voltage Terminal Box | X | X | X | X | X |
| 5 | 3000-1397 | 6 Pin Elect. Heat | X | X | X | X | X |
| 6 | 8201-062 | Relay | X | X | X | X | X |
| 7 | 8201-130 | Relay | X | X | X | X | X |
| 8 | 3000-1398 | 5 Pin Indoor Blower Motor Power | X | X | X | X | X |
| 9 | 8408-048 | Freeze Protect Thermostat | X | X | X | X | X |
| 10 | 135-319 | Wire Shield | X | X | X | X | X |
| 11 | 8611-006 | Ground Terminal | X | X | X | X | X |
| 12 | 3000-1231 | Compressor Power Plug | X | X | X | X | X |
| 13 | 3000-1223 | Compressor Solenoid Plug | X | X | X | X | X |
| 14 | 5650-044 | Solenoid Valve Plug | X | X | X | X | X |
| 15 | 8401-002 | Contactors 3 Pole 25 Amp | X | X | X | X | X |
| 16 | 8201-126 | 3-PH Line Monitor | X | X | X | X | X |
| 17 | 8407-048 | Transformer 75VA with Circuit Breaker | X | X | X | X | X |
| 18 | 8201-166 | Fan Logic Control | X | X | X | X | X |
| 19 | 8614-052 | 3.15 Amp Fuse | X | X | X | X | X |
| 20 | 8201-113 | Dehum Logic Board | X | X | X | X | X |
| 21 | 8201-088 | Compressor Control Module | X | X | X | X | X |
| 23 | 8408-043 | Fan Control Thermistor | X | X | X | X | X |
| 24 | S910-1816 | Fan Control Resistor (Optional) | X | X | X | X | X |
| 25 | 116-332 | Contactors Isolation Plate | X | X | X | X | X |
| 26 | 5451-025 | Rubber Grommet | X | X | X | X | X |
| 27 | 5451-026 | Nylon Flanged Bushing | X | X | X | X | X |
| 28 | 910-1914 | Overflow Switch Assembly | X | X | X | X | X |

CONTROL PANEL COMPONENTS – 460V 3 PHASE

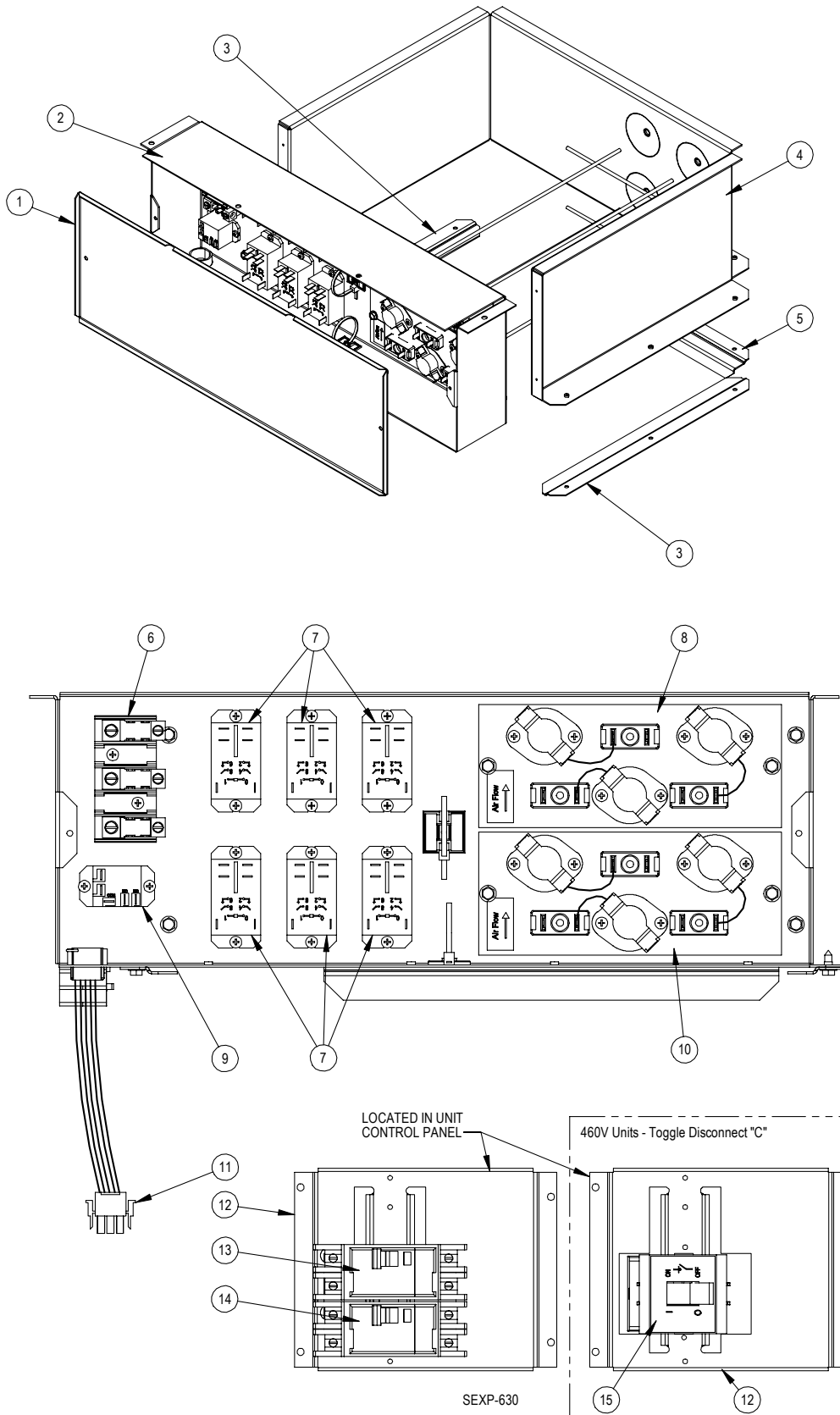


CONTROL PANEL COMPONENTS – 460V 3 PHASE

| Drawing No. | Part Number | Description | I30A1DC | I36A1DC | I42A1DC | I48A1DC | I60A1DC |
|-------------|---|--|---------|---------|---------|---------|---------|
| 1 | 8607-032 | Low Voltage Terminal Strip | X | X | X | X | X |
| 2 | 517-391 | Control Panel | X | X | X | X | X |
| 3 | 3000-1396 | 16 pin 24V Indoor Blower Motor Control | X | X | X | X | X |
| 4 | 117-319 | Low Voltage Terminal Box | X | X | X | X | X |
| 5 | 3000-1397 | 6 Pin Elect. Heat | X | X | X | X | X |
| 6 | 8201-062 | Relay | X | X | X | X | X |
| 7 | 8201-130 | Relay | X | X | X | X | X |
| 8 | 8614-041 | Fuse Block | X | X | X | X | X |
| 9 | <i>See separate chart below for Item #9</i> | | | | | | |
| 10 | 8607-017 | Terminal Block | X | X | X | X | X |
| 11 | 3000-1398 | 5 Pin Indoor Blower Motor Power | X | X | X | X | X |
| 12 | 8408-048 | Freeze Protect Thermostat | X | X | X | X | X |
| 13 | 135-319 | Wire Shield | X | X | X | X | X |
| 14 | 8611-006 | Ground Terminal | X | X | X | X | X |
| 15 | 3000-1231 | Compressor Power Plug | X | X | X | X | X |
| 16 | 3000-1223 | Compressor Solenoid Plug | X | X | X | X | X |
| 17 | 5650-044 | Solenoid Valve Plug | X | X | X | X | X |
| 18 | 8401-002 | Contactor 3 Pole 25 Amp | X | X | X | X | X |
| 19 | 8201-126 | 3-PH Line Monitor | X | X | X | X | X |
| 20 | 8407-048 | Transformer 75VA with Circuit Breaker | X | X | X | X | X |
| 21 | 8201-166 | Fan Logic Control | X | X | X | X | X |
| 22 | 8614-052 | 3.15 Amp Fuse | X | X | X | X | X |
| 23 | 8201-113 | Dehum Logic Board | X | X | X | X | X |
| 24 | 8201-088 | Compressor Control Module | X | X | X | X | X |
| 26 | 8408-043 | Fan Control Thermistor | X | X | X | X | X |
| 27 | S910-1816 | Fan Control Resistor (Optional) | X | X | X | X | X |
| 28 | 116-332 | Contactor Isolation Plate | X | X | X | X | X |
| 29 | 5451-025 | Rubber Grommet | X | X | X | X | X |
| 30 | 5451-026 | Nylon Flanged Bushing | X | X | X | X | X |
| 31 | 910-1914 | Overflow Switch Assembly | X | X | X | X | X |

| | | With Vent | No Vent |
|---|---------|--------------------------------------|---------------------------------------|
| 9 | I30H1DC | (2) Part #8614-046 5A Class CC Fuse | (2) Part #8614-047 3.2A Class CC Fuse |
| | I36H1DC | (2) Part #8614-042 7A Class CC Fuse | (2) Part #8614-046 5A Class CC Fuse |
| | I42H1DC | (2) Part #8614-042 7A Class CC Fuse | (2) Part #8614-046 5A Class CC Fuse |
| | I48H1DC | (2) Part #8614-042 7A Class CC Fuse | (2) Part #8614-046 5A Class CC Fuse |
| | I60H1DC | (2) Part #8614-043 10A Class CC Fuse | (2) Part #8614-042 7A Class CC Fuse |

ELECTRIC HEATER COMPONENTS



ELECTRIC HEATER COMPONENTS

| Drawing | | | I30A1DA0Z | I30A1DA05 | I30A1DA10 | I36A1DA0Z | I36A1DA05 | I36A1DA10 | I36A1DA15 | I42A1DA0Z | I42A1DA05 | I42A1DA10 | I42A1DA15 | I48A1DA0Z | I48A1DA05 | I48A1DA10 | I48A1DA15 | I48A1DA20 | I60A1DA0Z | I60A1DA05 | I60A1DA10 | I60A1DA15 | I60A1DA20 | |
|-------------|-----------|------------------------------------|-----------|-----------|-----------|-----------|-----------|-----------|-----------|-----------|-----------|-----------|-----------|-----------|-----------|-----------|-----------|-----------|-----------|-----------|-----------|-----------|-----------|---|
| Drawing No. | Part No. | Description | | | | | | | | | | | | | | | | | | | | | | |
| 1 | 143-148 | Heater Box Cover | X | X | X | X | X | X | X | X | X | X | X | X | X | X | X | X | X | X | X | X | X | X |
| 2 | 117-313 | Heater Front Plate | X | X | X | X | X | X | X | X | X | X | X | X | X | X | X | X | X | X | X | X | X | X |
| 3 | 103-486 | Side Blower Offset | 2 | 2 | 2 | 2 | 2 | 2 | 2 | 2 | 2 | 2 | 2 | 2 | 2 | 2 | 2 | 2 | 2 | 2 | 2 | 2 | 2 | 2 |
| 4 | 117-307 | Heater Wrapper | X | X | X | X | X | X | X | X | X | X | X | X | X | X | X | X | X | X | X | X | X | X |
| 5 | 103-487 | Rear Blower Angle | X | X | X | X | X | X | X | X | X | X | X | X | X | X | X | X | X | X | X | X | X | X |
| 7 | 8401-036 | Contactors 2-Pole 30A | | X | 2 | | X | 2 | 3 | | X | 2 | 2 | | X | 2 | 3 | 4 | | X | 2 | 3 | 4 | |
| 8 | 142-159 | Heater Blank Off Plate | X | X | X | X | X | X | | X | X | X | | X | X | X | | | X | X | X | | | |
| | 8604-135 | Heat Strip 5KW | | | | | | | X | | | | X | | | | X | | | | | | X | |
| | 8604-136 | Heat Strip 10KW | | | | | | | | | | | | | | | | X | | | | | | X |
| 9 | 8201-130 | Relay | | X | X | | X | X | X | | X | X | X | | X | X | X | X | | X | X | X | X | X |
| 10 | 142-159 | Heater Blank Off Plate | X | | | X | | | | X | | | | X | | | | | X | | | | | |
| | 8604-135 | Heat Strip 5KW | | X | | | X | | | | X | | | | X | | | | | X | | | | |
| | 8604-136 | Heat Strip 10KW | | | X | | | X | X | | | X | X | | | X | X | X | | | | X | X | X |
| | 8604-134 | Heat Strip 4KW | | | | | | | | | | | | | X | | | | | | | | | |
| 11 | 3000-1402 | 6-Pin Electric Heater Wire Harness | | X | X | | X | X | X | | X | X | X | | X | X | X | X | | X | X | X | X | X |
| 12 | 127-418 | Circuit Breaker Base | X | X | X | X | X | X | X | X | X | X | X | X | X | X | X | X | X | X | X | X | X | X |
| 13 | 8615-037 | Circuit Breaker 30A 2-Pole | | | X | | | | | | | | | | | | | | | | | | | |
| | 8615-041 | Circuit Breaker 60A 2-Pole | | | X | | | X | X | | | X | X | | | | X | X | | | | | X | X |
| 14 | 8615-038 | Circuit Breaker 35A 2-Pole | X | X | | | | | | | | | | | | | | | | | | | | |
| | 8615-040 | Circuit Breaker 50A 2-Pole | | | | | | | | | | | | X | X | | | | | | | | | |
| | 8615-055 | Circuit Breaker 40A 2-Pole | | | | X | X | | X | | | | X | | | | | | | | | | | |
| | 8615-041 | Circuit Breaker 60A 2-Pole | | | | | | | | | | | | | | X | | X | X | X | X | X | X | X |
| | 8615-039 | Circuit Breaker 45A 2-Pole | | | | | | | | X | X | | | | | X | X | | | | | | | |

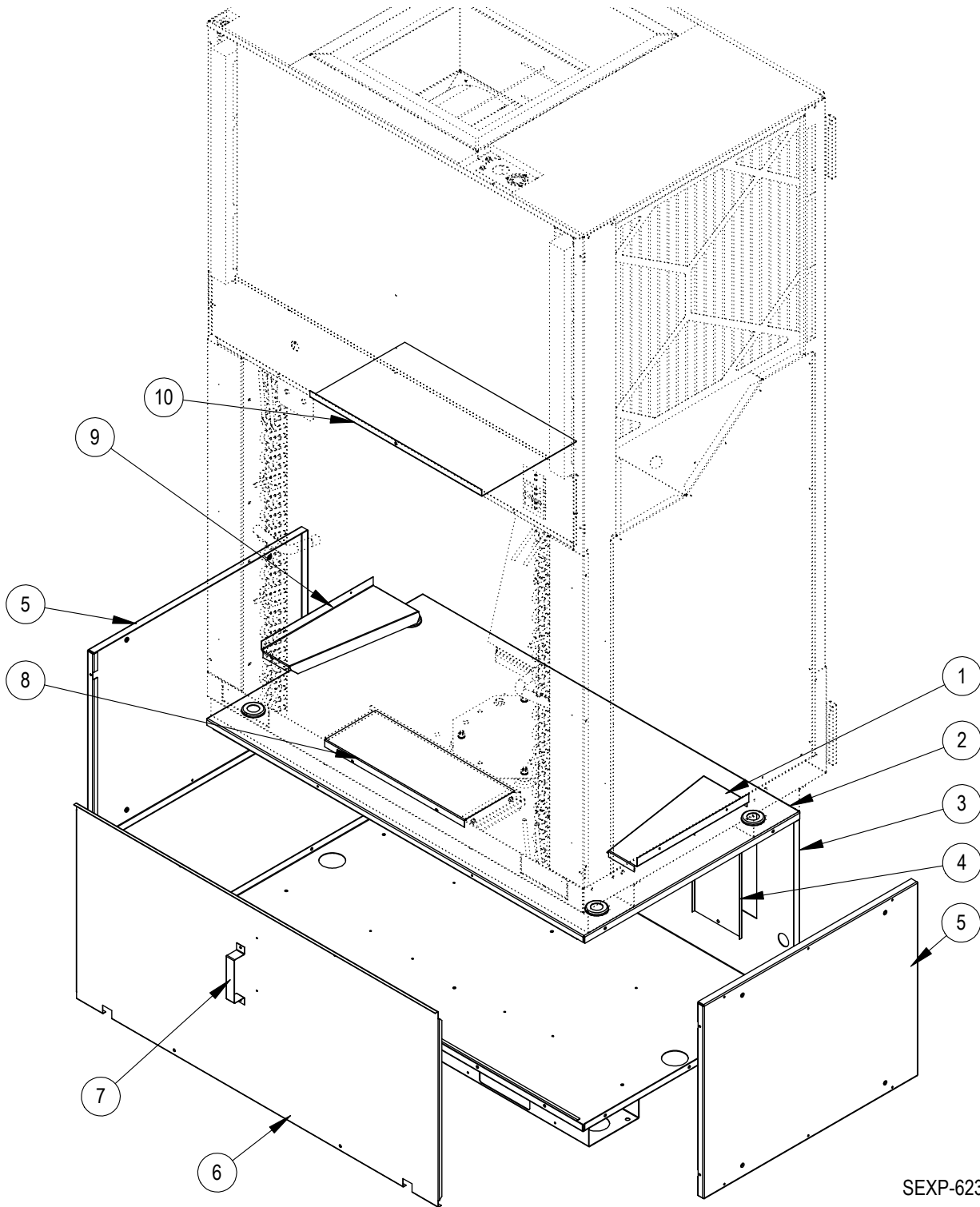
ELECTRIC HEATER COMPONENTS

| Drawing No. | Part No. | Description | I30A1DB0Z | I30A1DB06 | I30A1DB09 | I36A1DB0Z | I36A1DB06 | I36A1DB09 | I36A1DB15 | I42A1DB0Z | I42A1DB06 | I42A1DB09 | I42A1DB15 | I48A1DB0Z | I48A1DB06 | I48A1DB09 | I48A1DB15 | I48A1DB18 | I60A1DB0Z | I60A1DB06 | I60A1DB09 | I60A1DB15 | I60A1DB18 | |
|-------------|-----------|------------------------------------|-----------|-----------|-----------|-----------|-----------|-----------|-----------|-----------|-----------|-----------|-----------|-----------|-----------|-----------|-----------|-----------|-----------|-----------|-----------|-----------|-----------|---|
| 1 | 143-148 | Heater Box Cover | X | X | X | X | X | X | X | X | X | X | X | X | X | X | X | X | X | X | X | X | X | X |
| 2 | 117-313 | Heater Front Plate | X | X | X | X | X | X | X | X | X | X | X | X | X | X | X | X | X | X | X | X | X | X |
| 3 | 103-486 | Side Blower Offset | 2 | 2 | 2 | 2 | 2 | 2 | 2 | 2 | 2 | 2 | 2 | 2 | 2 | 2 | 2 | 2 | 2 | 2 | 2 | 2 | 2 | 2 |
| 4 | 117-307 | Heater Wrapper | X | X | X | X | X | X | X | X | X | X | X | X | X | X | X | X | X | X | X | X | X | X |
| 5 | 103-487 | Rear Blower Angle | X | X | X | X | X | X | X | X | X | X | X | X | X | X | X | X | X | X | X | X | X | X |
| 6 | 8607-014 | Terminal Block | | | | | | | | | | | | | | | | X | | | | | | X |
| 7 | 8401-036 | Contactora 2-Pole 30A | | 3 | 3 | | 3 | 3 | 6 | | 3 | 3 | 6 | | 3 | 3 | 6 | 6 | | 3 | 3 | 6 | 6 | |
| 8 | 142-159 | Heater Blank Off Plate | X | X | X | X | X | X | | X | X | X | | X | X | X | | | X | X | X | | | |
| | 8604-137 | Heat Strip 6KW | | | | | | | X | | | | X | | | | X | | | | | | X | |
| | 8604-138 | Heat Strip 9KW | | | | | | | | | | | | | | | | X | | | | | | X |
| 9 | 8201-130 | Relay | | X | X | | X | X | X | | X | X | X | | X | X | X | X | | X | X | X | X | X |
| 10 | 142-159 | Heater Blank Off Plate | X | | | X | | | | X | | | | X | | | | | X | | | | | |
| | 8604-137 | Heat Strip 6KW | | X | | | X | | | | X | | | | X | | | | | X | | | | |
| | 8604-138 | Heat Strip 9KW | | | X | | | X | X | | | X | X | | | X | X | X | | | | X | X | X |
| 11 | 3000-1402 | 6-Pin Electric Heater Wire Harness | | X | X | | X | X | X | | X | X | X | | X | X | X | X | | X | X | X | X | X |
| 12 | 127-418 | Circuit Breaker Base | X | X | X | | X | X | X | X | X | X | X | X | X | X | X | X | X | X | X | X | X | X |
| 14 | 8615-051 | Circuit Breaker 25A 3-Pole | X | X | | | | | | | | | | | | | | | | | | | | |
| | 8615-042 | Circuit Breaker 35A 3-Pole | | | X | | | X | | X | X | X | | X | X | X | | | | | | | | |
| | 8615-052 | Circuit Breaker 30A 3-Pole | | | | X | X | | | | | | | | | | | | | | | | | |
| | 8615-044 | Circuit Breaker 45A 3-Pole | | | | | | | | | | | | | | | | | | X | X | X | X | X |
| | 8615-045 | Circuit Breaker 50A 3-Pole | | | | | | | | | | | | | | | | | | | | | | |
| | 8615-046 | Circuit Breaker 60A 3-Pole | | | | | | | X | | | | X | | | | | X | X | | | | X | X |

ELECTRIC HEATER COMPONENTS

| Drawing No. | Part No. | Description | I30A1DC0Z | I30A1DC06 | I30A1DC09 | I36A1DC0Z | I36A1DC06 | I36A1DC09 | I36A1DC15 | I42A1DC0Z | I42A1DC06 | I42A1DC09 | I42A1DC15 | I48A1DC0Z | I48A1DC06 | I48A1DC09 | I48A1DC15 | I48A1DC18 | I60A1DC0Z | I60A1DC06 | I60A1DC09 | I60A1DC15 | I60A1DC18 | |
|-------------|-----------|------------------------------------|-----------|-----------|-----------|-----------|-----------|-----------|-----------|-----------|-----------|-----------|-----------|-----------|-----------|-----------|-----------|-----------|-----------|-----------|-----------|-----------|-----------|---|
| 1 | 143-148 | Heater Box Cover | X | X | X | X | X | X | X | X | X | X | X | X | X | X | X | X | X | X | X | X | X | X |
| 2 | 117-313 | Heater Front Plate | X | X | X | X | X | X | X | X | X | X | X | X | X | X | X | X | X | X | X | X | X | X |
| 3 | 103-486 | Side Blower Offset | 2 | 2 | 2 | 2 | 2 | 2 | 2 | 2 | 2 | 2 | 2 | 2 | 2 | 2 | 2 | 2 | 2 | 2 | 2 | 2 | 2 | 2 |
| 4 | 117-307 | Heater Wrapper | X | X | X | X | X | X | X | X | X | X | X | X | X | X | X | X | X | X | X | X | X | X |
| 5 | 103-487 | Rear Blower Angle | X | X | X | X | X | X | X | X | X | X | X | X | X | X | X | X | X | X | X | X | X | X |
| 6 | 8607-014 | Terminal Block | | | | | | X | | | | X | | | | X | | | | | | X | | |
| 7 | 8401-036 | Contactor 2-Pole 30A | | 2 | 2 | | 2 | 2 | 6 | | 2 | 2 | 6 | | 2 | 2 | 6 | 4 | | 2 | 2 | 6 | 4 | |
| 8 | 142-159 | Heater Blank Off Plate | X | X | X | X | X | X | | X | X | X | | X | X | X | | | X | X | X | | | |
| | 8604-139 | Heat Strip 6KW | | | | | | | X | | | | X | | | | X | | | | | | X | |
| | 8604-140 | Heat Strip 9KW | | | | | | | | | | | | | | | | X | | | | | X | |
| 9 | 8201-130 | Relay | | X | X | | X | X | X | | X | X | X | | X | X | X | X | | X | X | X | X | |
| 10 | 142-159 | Heater Blank Off Plate | X | | | X | | | | X | | | | X | | | | | X | | | | | |
| | 8604-139 | Heat Strip 6KW | | X | | | X | | | | X | | | | X | | | | | X | | | | |
| | 8604-140 | Heat Strip 9KW | | | X | | | X | X | | | X | X | | | X | X | X | | | X | X | X | |
| 11 | 3000-1402 | 6-Pin Electric Heater Wire Harness | | X | X | | X | X | X | | X | X | X | | X | X | X | X | | X | X | X | X | |
| 12 | 127-418 | Circuit Breaker Base | X | X | X | X | X | X | X | X | X | X | X | X | X | X | X | X | X | X | X | X | X | X |
| 15 | 8615-067 | Toggle Disconnect 40A 460V | X | X | X | X | X | X | X | X | X | X | X | X | X | X | X | X | X | X | X | X | X | X |

VENT BOX (ONLY) COMPONENTS

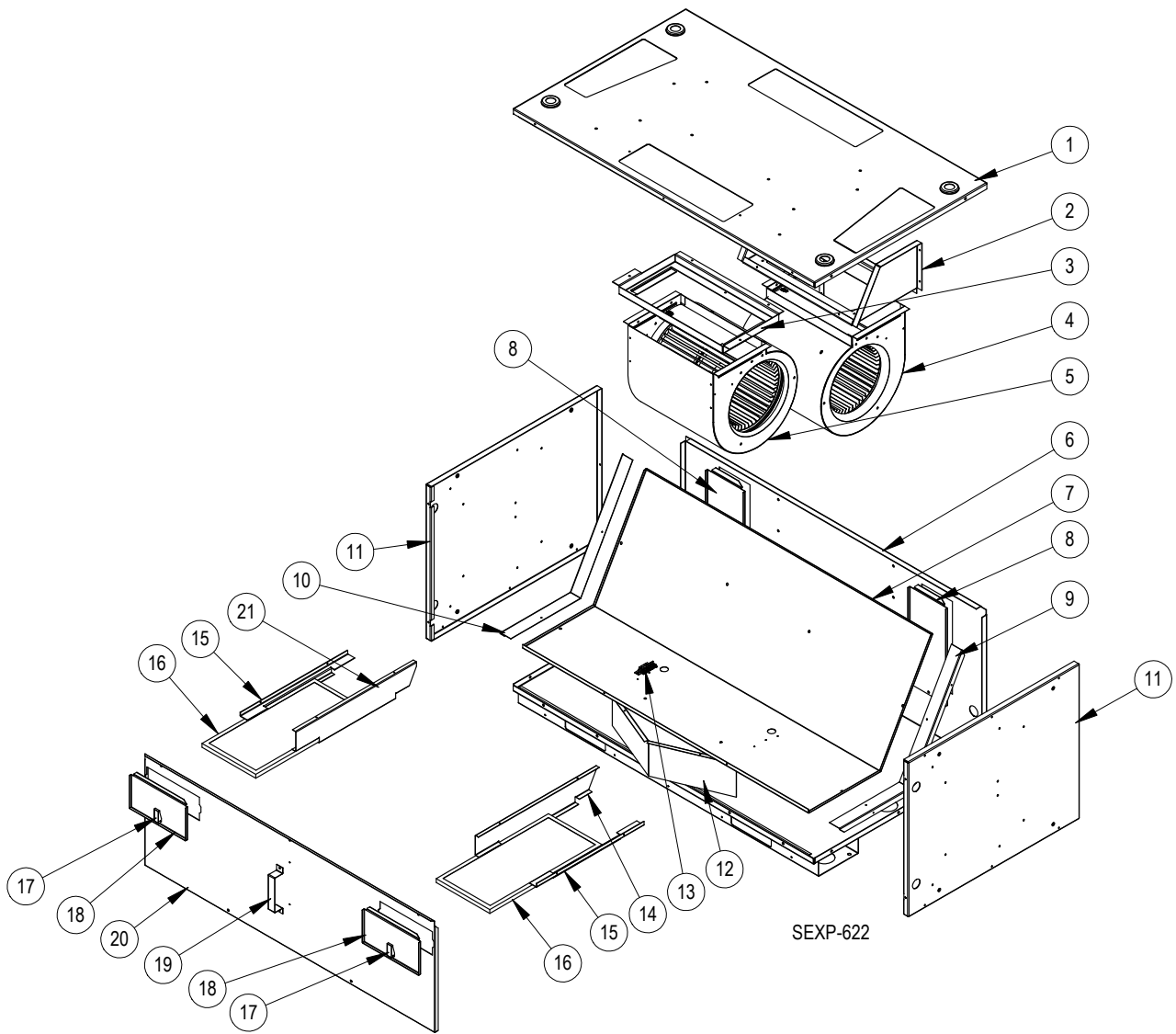


SEXP-623

VENT BOX (ONLY) COMPONENTS

| Drawing No. | Part Number | Description | Vent Box Only |
|-------------|-------------|------------------------|---------------|
| 1 | S143X164 | Right Side Intake Fill | X |
| 2 | 507-298 | Vent Box Top | X |
| 3 | S527-419 | Vent Box Base | X |
| 4 | 543-158 | Drain Access Plate | 2 |
| 5 | S501-639 | Vent Box Side | 2 |
| 6 | 553-508 | Vent Box Door | X |
| 7 | 113-441 | Door Latch Bracket | X |
| 8 | S143-160 | Lower Intake Fill | X |
| 9 | S143Y164 | Left Side Intake Fill | X |
| 10 | S143-161 | Upper Intake Fill | X |

CRV COMPONENTS



CRV COMPONENTS

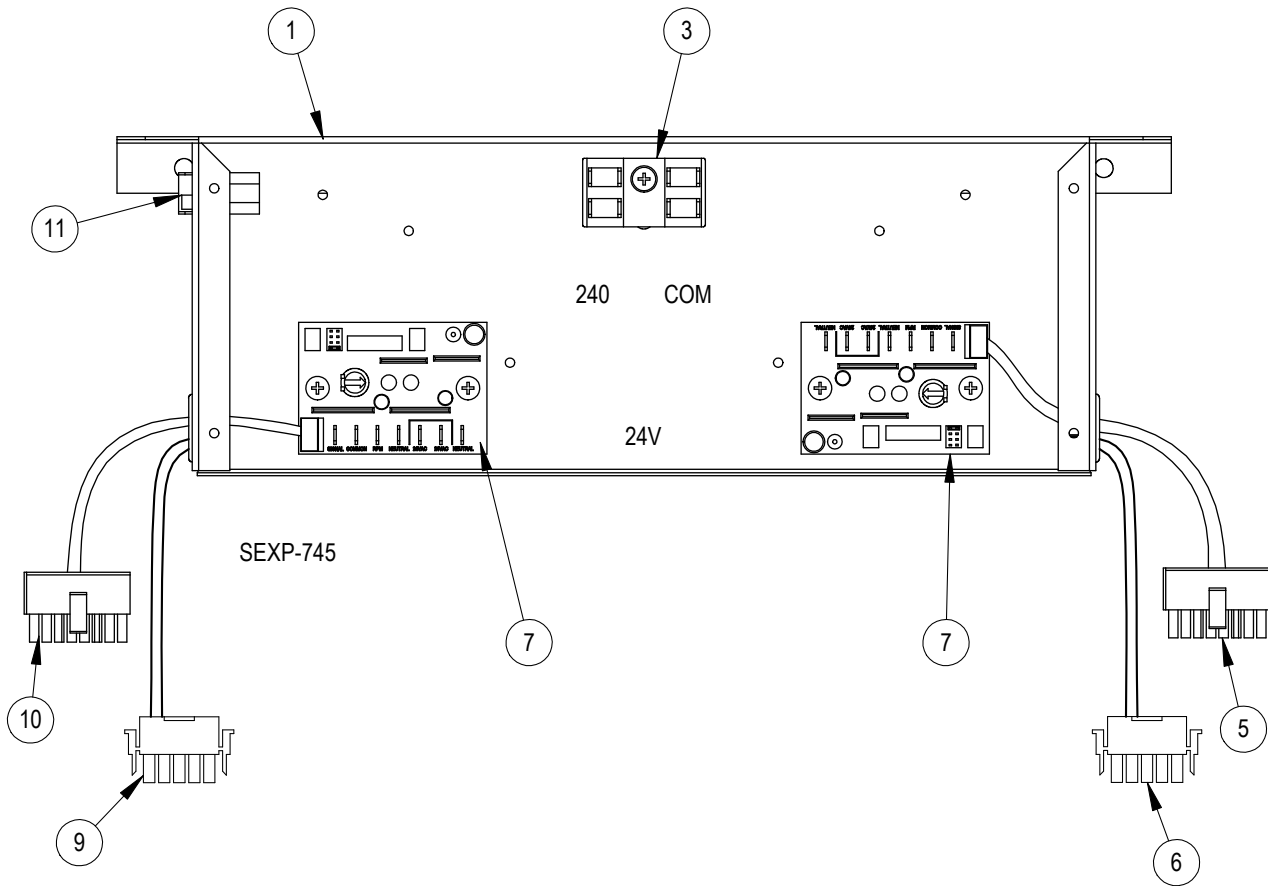
| Drawing No. | Part Number | Description | CRV |
|-------------|-------------|-------------------------------|-----|
| 1 | S507-297 | Vent Box Top | X |
| 2 | 103-489 | Rear Blower Offset | X |
| 3 | 103-488 | Front Blower Offset | X |
| 4 | 900-318-001 | Exhaust Blower Assembly | X |
| 5 | 900-318-002 | Intake Blower Assembly | X |
| 6 | S527-419 | Vent Box Base | X |
| 7 | 521-459 | Partition | X |
| 8 | 543-158 | Drain Access Plate | 2 |
| 9 | 505X1260 | Right Partition Angle | X |
| 10 | 505Y1260 | Left Partition Angle | X |
| 11 | S501-638 | Vent Box Side | 2 |
| 12 | 569-179 | Baffle | X |
| 13 | S910-1809 | Terminal Block Assembly | X |
| 14 | 141X382 | Right Lower Filter Bracket | X |
| 15 | 141-381 | Filter Angle | 2 |
| 16 | 7003-064 | Vent Intake Filter | 2 |
| 17 | 1171-053 | Swell Latch | 2 |
| 18 | S153-506 | Filter Door | 2 |
| 19 | 113-441 | Door Latch Bracket | X |
| 20 | S553-507 | Blower Door | X |
| 21 | 141Y382 | Left Lower Filter Bracket | X |
| NS | 3000-1403 | Intake/Exhaust Power Plug | 2 |
| NS | 3000-1404 | Intake/Exhaust Speed Plug | 2 |
| NS | 3000-1406 | Vent Section Plug | X |
| NS | 3000-1411 | Unit Control Panel Plug | X |
| NS | 8201-062 | Relay (in unit Control Panel) | X |

NS = Not Shown

MODULATING CRV COMPONENTS

| Drawing No. | Part Number | Description | Modulating CRV |
|-------------|---------------|----------------------------|----------------|
| 1 | S507-297 | Vent Box Top | X |
| 2 | 103-489 | Rear Blower Offset | X |
| 3 | 103-488 | Front Blower Offset | X |
| 4 | 900-319-003 | Exhaust Blower Assembly | X |
| 5 | 900-319-004 | Intake Blower Assembly | X |
| 6 | 141-379 | Cassette Upper Rail | 2 |
| 7 | 521-457 | Partition | X |
| 8 | S527-419 | Vent Box Base | X |
| 9 | 543-158 | Drain Access Plate | 2 |
| 10 | S501-638 | Vent Box Side | 2 |
| 11 | 505X1260 | Right Partition Angle | X |
| 12 | 521-464 | Right Side Partition | X |
| 13 | S105X1258 | Right Cassette Seal Angle | X |
| 14 | 141-380 | Cassette Lower Rail | 2 |
| 15 | Control Panel | See Control Panel section | x |
| 16 | 153-511 | Control Panel Cover | X |
| 17 | 141-381 | Filter Angle | 2 |
| 18 | 141X382 | Right Lower Filter Bracket | X |
| 19 | 7003-064 | Vent Intake Filter | 2 |
| 20 | 139-322 | Restrictor Plate | 2 |
| 21 | 1171-053 | Swell Latch | 2 |
| 22 | S153-506 | Filter Door | 2 |
| 23 | 113-441 | Door Latch Bracket | X |
| 24 | S553-505 | Cassette Door | X |
| 26 | 141Y382 | Left Lower Filter Bracket | X |
| 27 | 105Y1260 | Left Partition Angle | X |
| 28 | 521-465 | Left Side Partition | X |
| 29 | S105Y1258 | Left Cassette Seal Angle | X |

MODULATING CRV CONTROL PANEL COMPONENTS

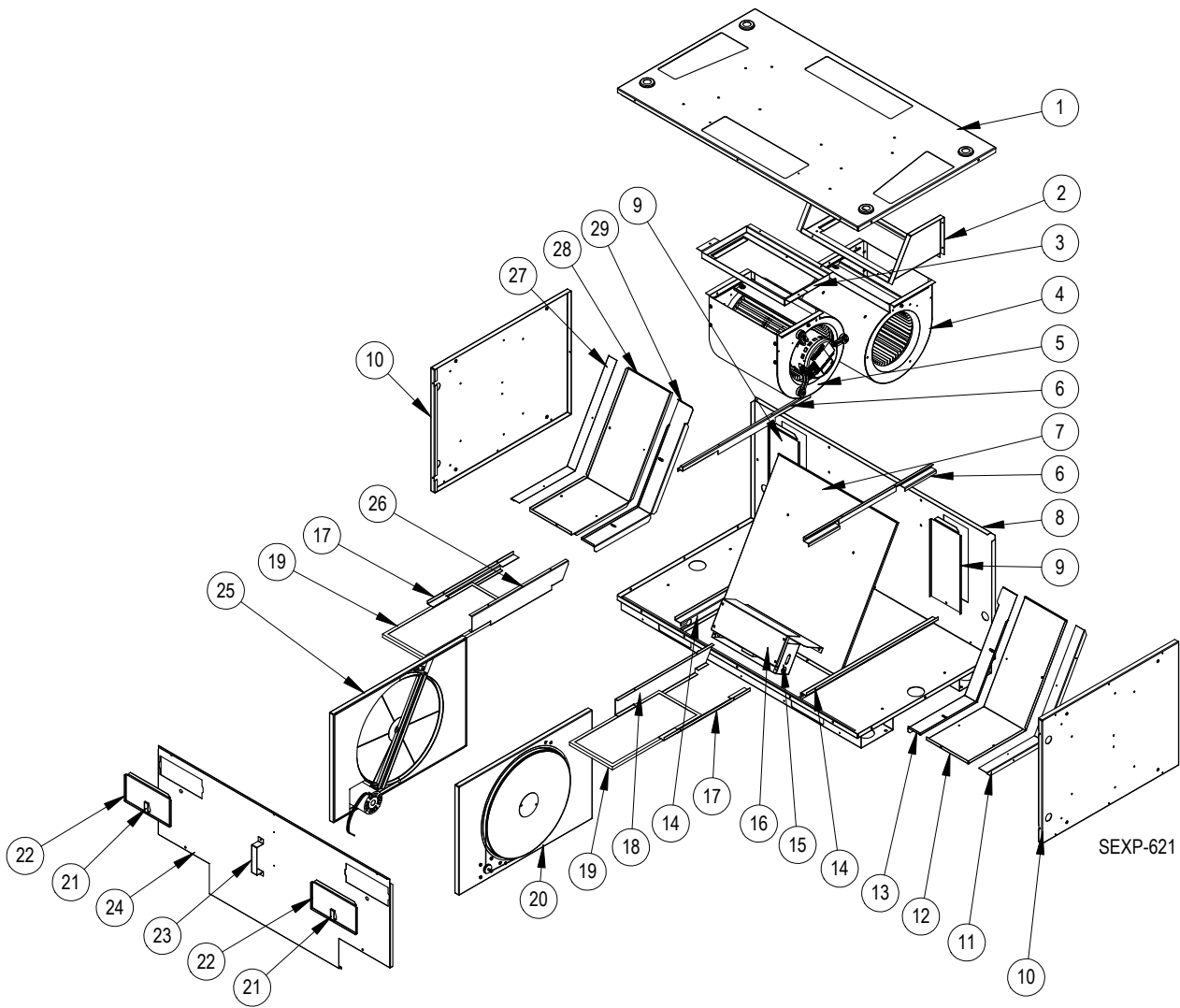


MODULATING CRV CONTROL PANEL COMPONENTS

| Drawing No. | Part Number | Description | Modulating CRV Control Panel |
|-------------|-------------|-------------------------------|------------------------------|
| 1 | 117-323 | Control Panel | X |
| 3 | 8607-017 | Terminal Block | X |
| 5 | 3000-1407 | Exhaust Speed Plug | X |
| 6 | 3000-1331 | Intake Plower Plug | X |
| 7 | 8201-124 | Blower Control Board | 2 |
| 9 | 3000-1356 | Intake Speed Plug | X |
| 10 | 3000-1358 | Exhaust Power Plug | X |
| 11 | 3000-1409 | Vent Section Plug | X |
| NS | 3000-1408 | Extension Plug | X |
| NS | 3000-1405 | Unit Control Panel Plug | X |
| NS | 8201-013 | Relay (in unit Control Panel) | X |

NS = Not Shown

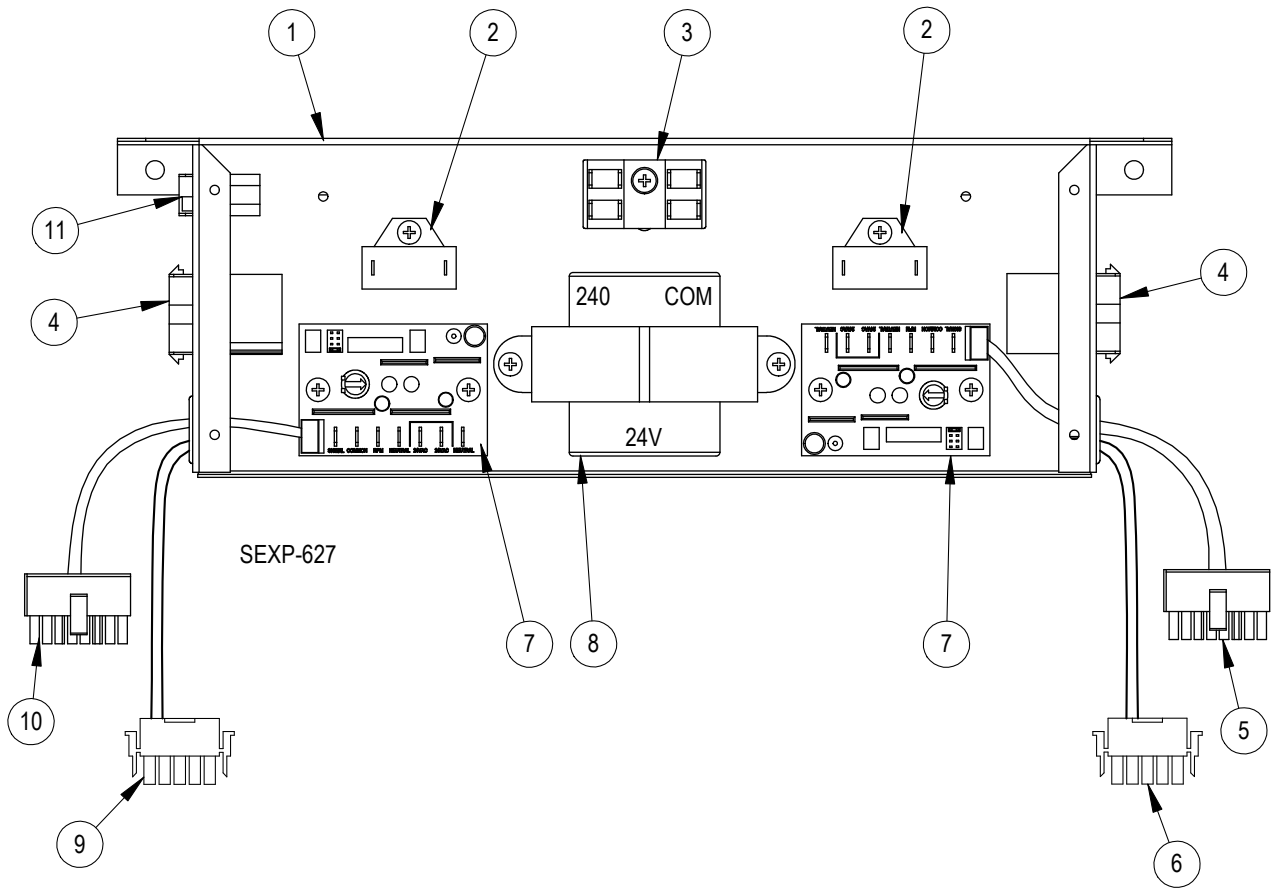
ERV COMPONENTS



ERV COMPONENTS

| Drawing No. | Part Number | Description | ERV |
|-------------|---------------|---|-----|
| 1 | S507-297 | Vent Box Top | X |
| 2 | 103-489 | Rear Blower Offset | X |
| 3 | 103-488 | Front Blower Offset | X |
| 4 | 900-319-001 | Exhaust Blower Assembly | X |
| 5 | 900-319-002 | Intake Blower Assembly | X |
| 6 | 141-379 | Cassette Upper Rail | 2 |
| 7 | 521-457 | Partition | X |
| 8 | S527-419 | Vent Box Base | X |
| 9 | 543-158 | Drain Access Plate | 2 |
| 10 | S501-638 | Vent Box Side | 2 |
| 11 | 505X1260 | Right Partition Angle | X |
| 12 | 521-464 | Right Side Partition | X |
| 13 | S105X1258 | Right Cassette Seal Angle | X |
| 14 | 141-380 | Cassette Lower Rail | 2 |
| 15 | Control Panel | See Control Panel section | x |
| 16 | 153-511 | Control Panel Cover | X |
| 17 | 141-381 | Filter Angle | 2 |
| 18 | 141X382 | Right Lower Filter Bracket | X |
| 19 | 7003-064 | Vent Intake Filter | 2 |
| 20 | 5070-055 | Right Cassette Assembly - Complete See cassette section for individual parts | X |
| 21 | 1171-053 | Swell Latch | 2 |
| 22 | S153-506 | Filter Door | 2 |
| 23 | 113-441 | Door Latch Bracket | X |
| 24 | S553-505 | Cassette Door | X |
| 25 | 5070-056 | Left Cassette Assembly - Complete See cassette section for individual parts | X |
| 26 | 141Y382 | Left Lower Filter Bracket | X |
| 27 | 105Y1260 | Left Partition Angle | X |
| 28 | 521-465 | Left Side Partition | X |
| 29 | S105Y1258 | Left Cassette Seal Angle | X |

ERV CONTROL PANEL COMPONENTS

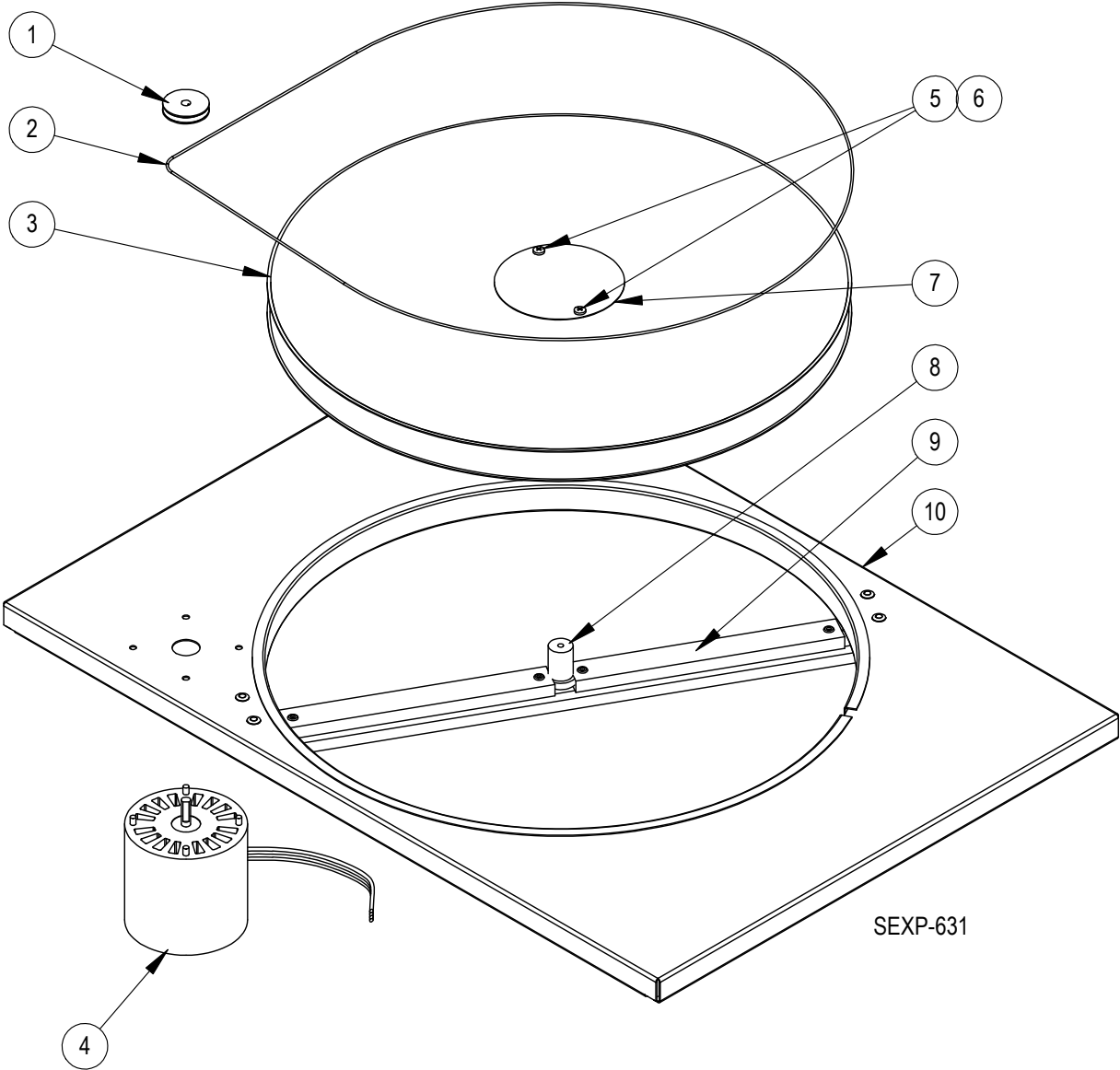


ERV CONTROL PANEL COMPONENTS


| Drawing No. | Part Number | Description | ERV Control Panel |
|-------------|-------------|-------------------------------|-------------------|
| 1 | 117-323 | Control Panel | X |
| 2 | 8552-070 | 3MFD 250V Capacitor | 2 |
| 3 | 8607-017 | Terminal Block | X |
| 4 | 3000-1410 | Cassette Motor Plug | 2 |
| 5 | 3000-1407 | Exhaust Speed Plug | X |
| 6 | 3000-1331 | Intake Plover Plug | X |
| 7 | 8201-124 | Blower Control Board | 2 |
| 8 | 8407-043 | 60VA Transformer | X |
| 9 | 3000-1356 | Intake Speed Plug | X |
| 10 | 3000-1358 | Exhaust Power Plug | X |
| 11 | 3000-1409 | Vent Section Plug | X |
| NS | 3000-1408 | Extension Plug | X |
| NS | 3000-1405 | Unit Control Panel Plug | X |
| NS | 8201-013 | Relay (in unit Control Panel) | X |

NS = Not Shown

ERV CASSETTE COMPONENTS

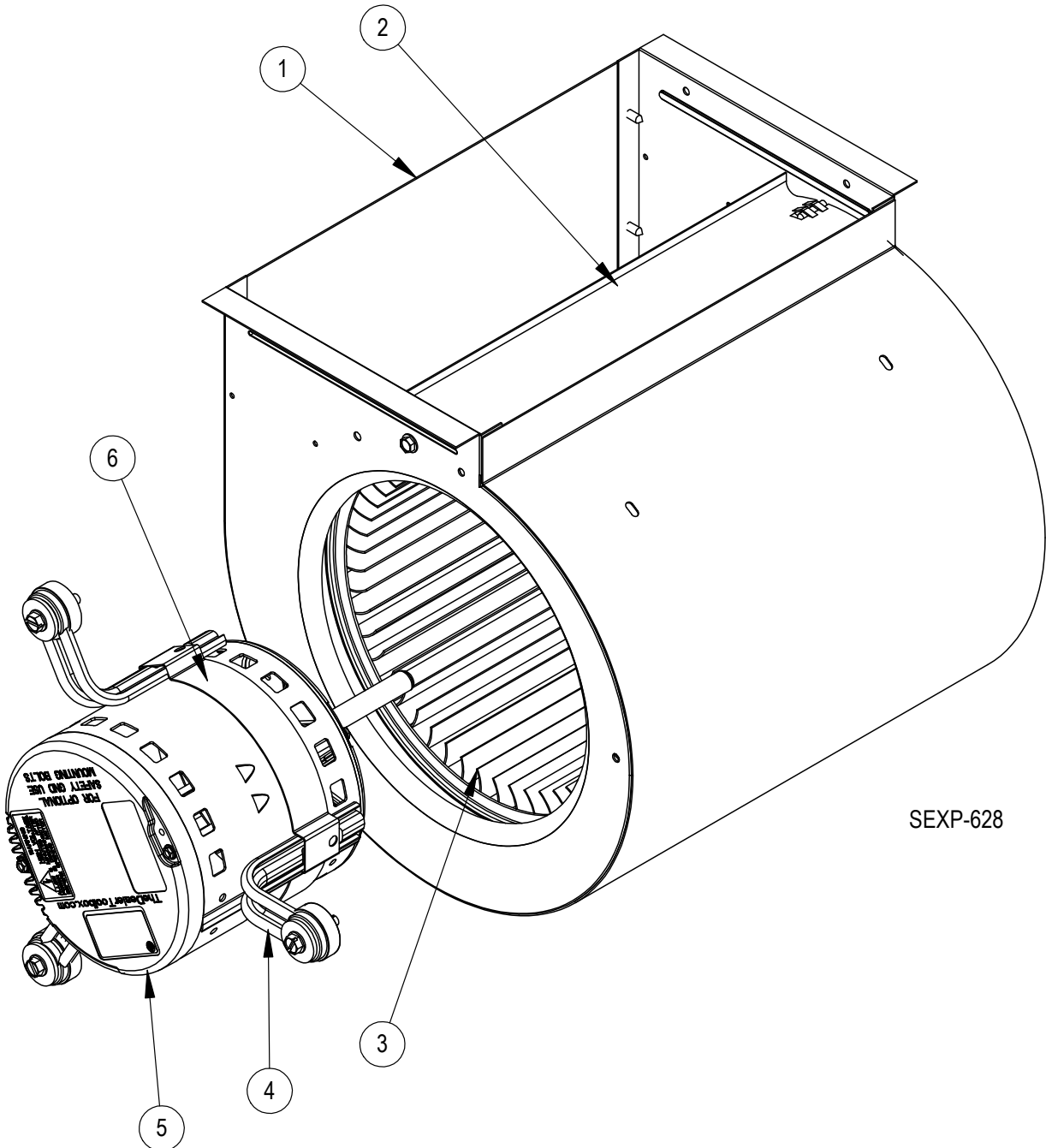


ERV CASSETTE COMPONENTS

| Drawing No. | Part Number | Description | 5070-055 Right Cassette | 5070-056 Left Cassette |
|-------------|--|-----------------------------------|-------------------------|------------------------|
| 1 | 5501-018 | Pulley | X | X |
| 2 | 5070-030  | Drive Belt | X | X |
| 3 | 5070-043 | Cassette Wheel | X | X |
| 4 | 8101-016 | Motor | X | X |
| 5 | 1012-164 | Machine Screw | 2 | 2 |
| 6 | 8611-111 | Nylon Spacer | 2 | 2 |
| 7 | 142-104 | Hub Cover | X | X |
| 8 | 1912-012 | Wheel Shaft | X | X |
| 9 | 105-1259 | Cassette Wheel Angle | X | X |
| 10 | 539X275 | Right Hand Cassette Plate | X | |
| 10 | 539Y275 | Left Hand Cassette Plate | | X |
| NS | 8620-204 | ERV Bearing, Shaft & Hardware Kit | X | X |
| NS | 8620-205 | ERV Shaft & Hardware Kit | X | X |

NS = Not Shown

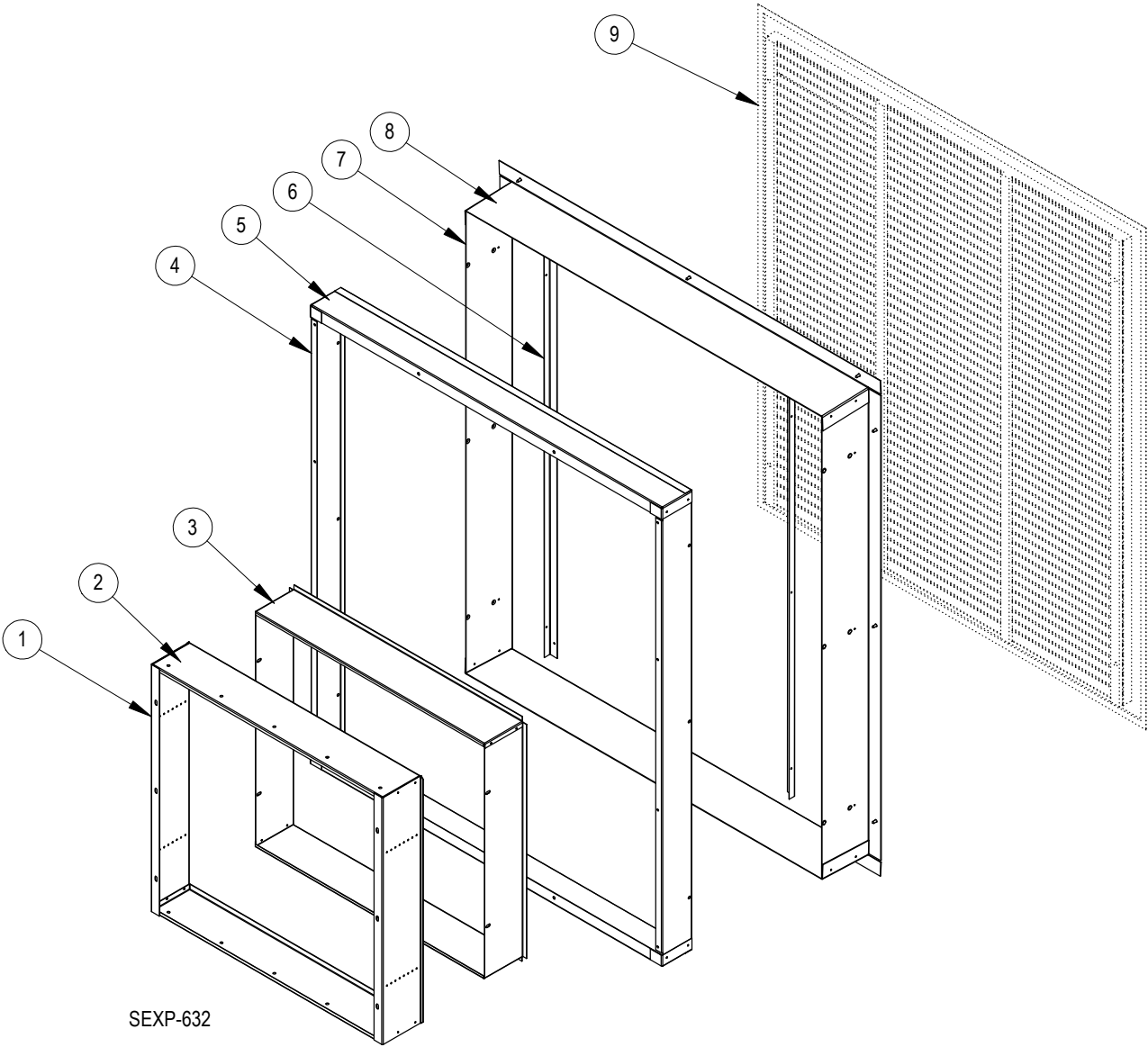
CRV/ERV BLOWER COMPONENTS



CRV/ERV BLOWER COMPONENTS

| Drawing No. | Part Number | Description | 900-318-001 | 900-318-002 | 900-319-001 | 900-319-002 | 900-319-003 | 900-319-004 |
|-------------|----------------|--|-------------|-------------|-------------|-------------|-------------|-------------|
| 1 | 151-124 | Blower Housing | X | X | X | X | X | X |
| 2 | 144-129 | Diffuser | X | X | X | X | X | X |
| 3 | 5152-067 | Blower Wheel | X | X | X | X | X | X |
| 4 | 8200-046 | Motor Mount Arm | 3 | 3 | 3 | 3 | 3 | 3 |
| 5 | S8105-056-0104 | 1/3 HP Programmed Motor – CRV Exhaust | X | | | | | |
| 5 | S8105-056-0105 | 1/3 HP Programmed Motor – CRV Intake | | X | | | | |
| 5 | S8105-059-0106 | 1/3 HP Programmed Motor – ERV Exhaust | | | X | | | |
| 5 | S8105-059-0107 | 1/3 HP Programmed Motor – ERV Intake | | | | X | | |
| 5 | S8105-059-0140 | 1/3 HP Programmed Motor – Mod. CRV Exhaust | | | | | X | |
| 5 | S8105-059-0141 | 1/3 HP Programmed Motor – Mod. CRV Intake | | | | | | X |
| 6 | 8620-034 | Motor Mount Band | X | X | X | X | X | X |

SLEEVE COMPONENTS

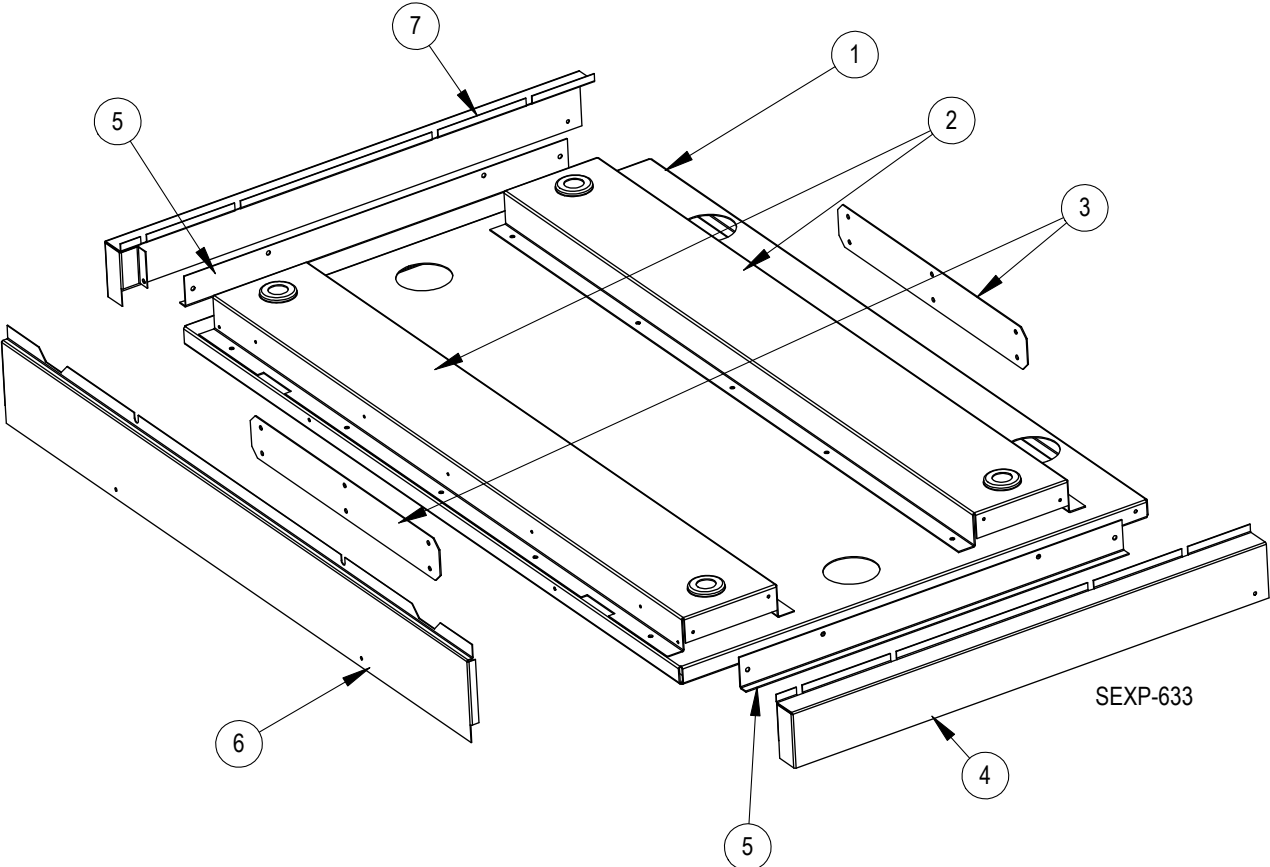


SEXP-632

SLEEVE COMPONENTS

| Drawing No. | Part Number | Description | IWS-A | IWS-B | IWS-C |
|-------------|---------------------|--|-------|-------|-------|
| 1 | S111-188-8 4½" Deep | Outer Sleeve Side | X | | |
| | S111-195-8 7" Deep | | | X | |
| | S111-202-8 12" Deep | | | | X |
| 2 | S111-187-8 4½" Deep | Outer Sleeve End | X | | |
| | S111-194-8 7" Deep | | | X | |
| | S111-201-8 12" Deep | | | | X |
| 3 | 111-189-8 4½" Deep | Inner Fan Sleeve Side | 2 | | |
| | 111-196-8 7" Deep | | | 2 | |
| | 111-203-8 12" Deep | | | | 2 |
| 4 | 111-186-8 3½" Deep | Inner Sleeve Side | X | | |
| | 111-193-8 6" Deep | | | X | |
| | 111-200-8 11" Deep | | | | X |
| 5 | 111-185-8 3½" Deep | Inner Sleeve End | X | | |
| | 111-192-8 6" Deep | | | X | |
| | 111-199-8 11" Deep | | | | X |
| 6 | 105-1257-8 | Grille Support Angle | 2 | 2 | 2 |
| 7 | 111-184-8 5½" Deep | Outer Sleeve Side | X | | |
| | 111-191-8 8" Deep | | | X | |
| | 111-198-8 13" Deep | | | | X |
| 8 | 111-183-8 5½" Deep | Outer Sleeve End | X | | |
| | 111-190-8 8" Deep | | | X | |
| | 111-197-8 13" Deep | | | | X |
| 9 | ILG-10 | Outdoor Louver Grille - Clear anodized | X | X | X |
| | ILG-20 | Outdoor Louver Grille - Medium Bronze | X | X | X |
| | ILG-30 | Outdoor Louver Grille - Dark Bronze | X | X | X |

RISER PLATFORM COMPONENTS



RISER PLATFORM COMPONENTS

| Drawing No. | Part Number | Description | IRP-3-* | IRP-6-* |
|-------------|--------------|-----------------------|---------|---------|
| 1 | 127-420-X | Base Plate | X | X |
| 2 | 141-384 3" | Base Rail | 2 | |
| | 141-385 6" | | | 2 |
| 3 | 112-447 | Base Connection Plate | 2 | 2 |
| 4 | 135-311-* 3" | Right Side Trim | X | |
| | 135-314-* 6" | | | X |
| 5 | 105-1263 3" | Side Support Angle | 2 | |
| | 105-1264 6" | | | 2 |
| 6 | 135-309-* 3" | Front Trim | X | |
| | 135-312-* 6" | | | X |
| 7 | 135-310-* 3" | Left Side Trim | X | |
| | 135-313-* 6" | | | X |

* Exterior cabinet parts are manufactured with various paint color options. To ensure the proper paint color is received, reference the following codes:

| | |
|--------------|----|
| Beige | -X |
| White | -1 |
| Buckeye Gray | -4 |