
REPLACEMENT PARTS MANUAL

WALL MOUNTED PACKAGED HEAT PUMP

Models:

W18H2-A W24H2-A W24H2DA
W24H2-B W24H2DB
W24H2-C W24H2DC

General Notes

- Revised and/or additional pages may be issued from time to time.
- A complete and current manual consists of pages shown in the following contents section.

Important

- Contact the installing and/or local Bard distributor for all parts requirements. Be sure to have the complete model and serial number available from the unit rating plates.

Contents

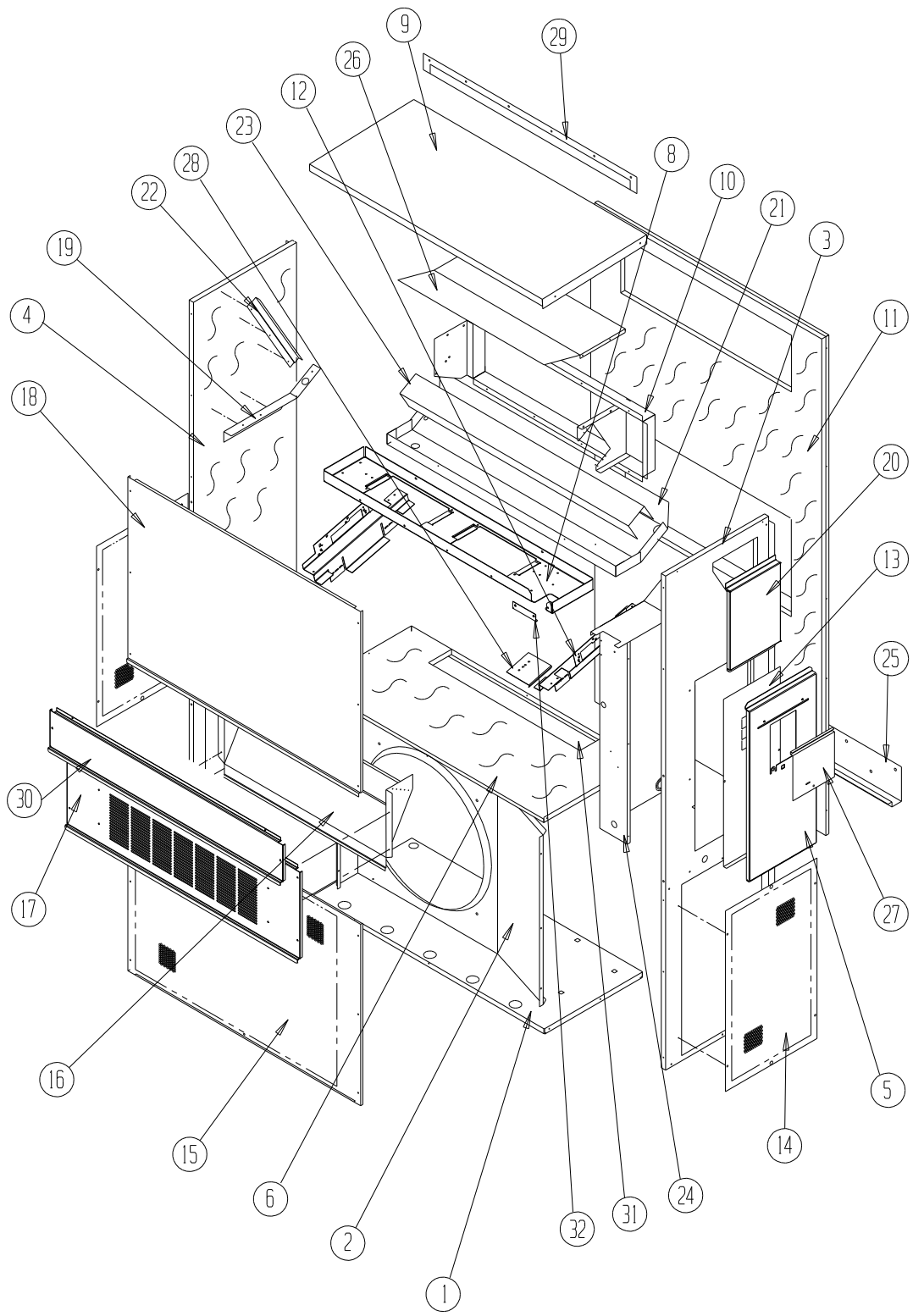
| <u>Description</u> | <u>Page</u> |
|------------------------------------|-------------|
| Cabinet Components | |
| ♦ Exploded View..... | 2 |
| ♦ Usage List | 3 |
| Functional Components | |
| ♦ Exploded View..... | 4 |
| ♦ Usage List | 5 |
| ♦ Usage List – Dehum. Models | 6 |
| Control Panel | |
| ♦ Layout View | 8 |
| ♦ Usage List | 9 |
| Control Panel – Dehum. Models | |
| ♦ Layout View | 10 |
| ♦ Usage List | 11 |
| Blower Assembly | |
| ♦ Exploded View..... | 12 |
| ♦ Usage List | 12 |



Bard Manufacturing Company, Inc.
Bryan, Ohio 43506
www.bardhvac.com

Manual: 2110-595E
Supersedes: 2110-595D
Date: 12-21-15

CABINET COMPONENTS



SEXP-684

CABINET COMPONENTS

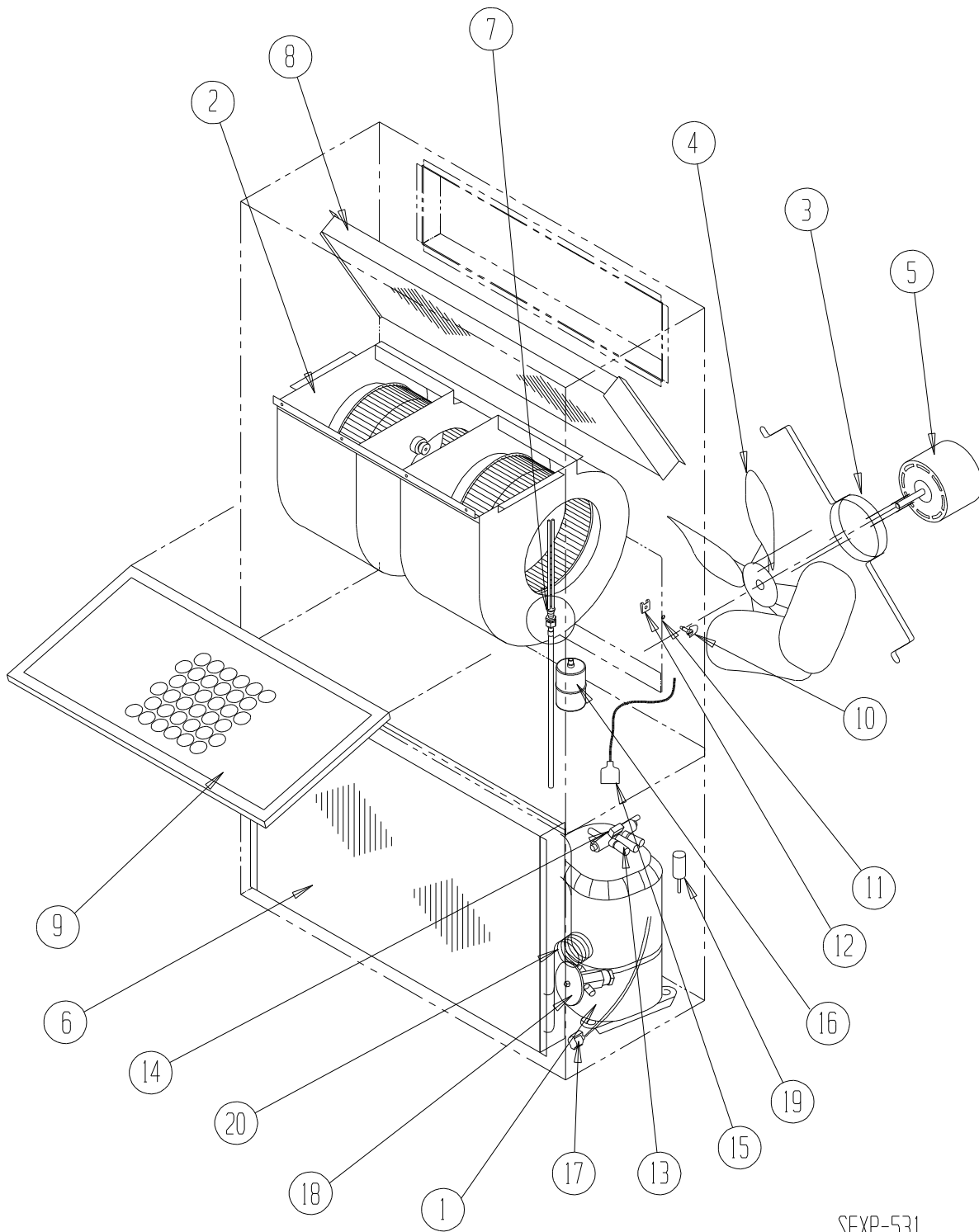
| Dwg No. | Part Number | Description | W18H2-A | W24H2-A, B | W24H2-C |
|---------|------------------------|--|---------|------------|---------|
| 1 | 127-467 | Lower Base | X | X | X |
| 1 | 127-439 ③ | Lower Base | X | X | X |
| 2 | 125-023 | Fan Shroud | X | X | X |
| 2 | 125-056 ③ | Fan Shroud | X | X | X |
| 3 | S501-684-* ① | Right Side | X | X | X |
| 3 | S501-722 ② | Right Side | X | X | X |
| 3 | S501-720 ③ | Right Side | X | X | X |
| 4 | S501-711-* ① | Left Side | X | X | X |
| 4 | S501-723 ② | Left Side | X | X | X |
| 4 | S501-721 ③ | Left Side | X | X | X |
| 5 | S533-228 ① | Control Panel Cover (Outer) | X | X | X |
| 5 | S533-236 ② | Control Panel Cover (Outer) | X | X | X |
| 5 | S533-235 ③ | Control Panel Cover (Outer) | X | X | X |
| 6 | S521X204 | Condenser Partition | X | X | X |
| 8 | 121X336 | Blower Partition | X | X | X |
| 9 | S507-311-* ① | Top | X | X | X |
| 9 | S507-317 ③ | Top | X | X | X |
| 10 | S111X032 | Outlet Air Frame Assembly | X | X | X |
| 11 | S508-097 | Back | X | X | X |
| 11 | S508-291 ② | Back | X | X | X |
| 11 | S508-220 ③ | Back | X | X | X |
| 12 | 113X480 | Filter Bracket | 2 | 2 | 2 |
| 13 | S132-104 | Control Panel Cover (Inner) | X | X | |
| 13 | S132-172 | Control Panel Cover (Inner) | | | X |
| 14 | 118-056-* ① | Side Grille | 2 | 2 | 2 |
| 14 | 118-060 ② | Side Grille | 2 | 2 | 2 |
| 14 | 118-067 ③ | Side Grille | 2 | 2 | 2 |
| 15 | 118-050-* ① | Condenser Grille | X | X | X |
| 15 | 118-070 ② | Condenser Grille | X | X | X |
| 15 | 118-076 ③ | Condenser Grille | X | X | X |
| 16 | BFAD-2 | Fresh Air Damper Assembly | X | X | X |
| 17 | S553-537-* ① | Vent Option Door | X | X | X |
| 17 | S553-539 ① | Vent Option Door with ERV | X | X | X |
| 17 | S553-548 ② | Vent Option Door | X | X | X |
| 17 | S553-547 ③ | Vent Option Door | X | X | X |
| 18 | S514-240-* ① | Upper Front | X | X | X |
| 18 | S514-236 ③ | Upper Front | X | X | X |
| 19 | 105X850 | Side Support | X | X | X |
| 20 | S543-175-* ① | Right Side Cover Plate (Outer) | X | X | X |
| 20 | S543-184 ② | Right Side Cover Plate (Outer) | X | X | X |
| 20 | S543-185 ③ | Right Side Cover Plate (Outer) | X | X | X |
| 21 | S123-126 | Drain Pan | X | X | X |
| 21 | S123-140 ②③ | Drain Pan | X | X | X |
| 22 | 147-044 | Evaporator Support | X | X | X |
| 23 | 137-694 | Bottom Evaporator Fill | X | X | X |
| 24 | Control Panel Assembly | See Control Panel Assy. Drawing & Parts List Assy. | X | X | X |
| 25 | 113-140 | Bottom Mounting Bracket | X | X | X |
| 26 | 135X127 | Heat Shield | X | X | X |
| 27 | S153-218 ① | Disconnect Access Door | X | X | X |
| 27 | S153-387 ② | Disconnect Access Door | X | X | X |
| 27 | S153-405 ③ | Disconnect Access Door | X | X | X |
| 28 | 137-259 | Fill Plate | X | X | X |
| 29 | 113-141-* ① | Top Rain Flashing | X | X | X |
| 29 | 113-361 ③ | Top Rain Flashing | X | X | X |
| 30 | S553-538-* ① | Filter Door | X | X | X |
| 30 | S553-552 ② | Filter Door | X | X | X |
| 30 | S553-551 ③ | Filter Door | X | X | X |
| 31 | S536-176 | Cond. Partition Block Off Plate | X | X | X |

① Exterior cabinet parts are manufactured with various paint color options. To ensure the proper paint color is received, include the complete model and serial number of the unit for which cabinet parts are being ordered.

② Exterior cabinet parts are manufactured from aluminum Code "A"

③ Exterior cabinet parts are manufactured from stainless steel Code "S"

FUNCTIONAL COMPONENTS



SEXP-531

This drawing to be used for reference for pages 5 and 6

FUNCTIONAL COMPONENTS

| Dwg No. | Part Number | Description | W18H2-A | W24H2-A | W24H2-B | W24H2-C |
|---------|-------------|---|---------|---------|---------|---------|
| 1 | 8000-313 | Compressor | X | | | |
| 1 | 8000-314 | Compressor | | X | | |
| 1 | 8000-315 | Compressor | | | X | |
| 1 | 8000-316 | Compressor | | | | X |
| 2 | S900-291 | Blower Assembly | X | | | |
| 2 | S900-326 | Blower Assembly | | X | X | |
| 2 | S900-250 | Blower Assembly | | | | X |
| 3 | 8200-001 | Fan Motor Mount | X | X | X | X |
| 4 | 5151-033 | Fan Blade | X | X | X | |
| 4 | 5151-046 | Fan Blade | | | | X |
| 5 | 8103-016 | Condenser Motor | X | X | X | |
| 5 | 8103-020 | Condenser Motor | | | | X |
| 6 | 5051-115BX | Condenser Coil | X | X | X | X |
| 7 | 800-0646 | Cooling Distributor Assembly | X | | | |
| 7 | 800-0647 | Cooling Distributor Assembly | | X | X | X |
| 8 | 5060-065BX | Evaporator Coil | X | X | X | X |
| 9 | 7004-011 | Air Filter 1" Throw-Away | X | X | X | X |
| 9 | 7003-032 | Air Filter 1" Washable ① | X | X | X | X |
| 9 | 7004-025 | Air Filter 2" Pleated ① | X | X | X | X |
| 10 | 1171-022 | 1/4" Turn Fastener | X | X | X | X |
| 11 | 1171-024 | 1/4" Turn Retainer | X | X | X | X |
| 12 | 1171-023 | 1/4" Receptacle | X | X | X | X |
| 13 | 5650-038 | Reversing Valve with 24V Solenoid Coil | X | X | X | X |
| 14 | 5650-042 | Rev. Valve Solenoid, Red Casing (Ranco) | X | X | X | X |
| 14 | 5650-043 | Rev. Valve Solenoid, Black Casing (Wilspec) | X | X | X | X |
| 14 | 5650-046 | Rev. Valve Solenoid, Black Casing (San Hua) | X | X | X | X |
| 15 | 5650-037 | Molded Plug 36" Lead | X | X | X | X |
| 16 | 5201-009 | Filter Drier | X | X | X | X |
| 17 | 8620-224 | Defrost Sensor | X | X | X | X |
| 18 | 5651-191 | Heating TXV Thermal Expansion Valve | X | X | X | X |
| 19 | 1804-0462 | High Pressure Switch (Flare) ① | X | X | X | X |
| 20 | 800-0380 | Heating Distributor Assembly | X | X | X | X |
| NS | 1804-0107 | Low Pressure Switch (Flare) ① | X | X | X | X |
| NS | CMA-28 | Low Ambient Control (Flare) ① | X | X | X | X |
| NS | 3000-1276 | Compressor Wire Harness | X | X | | |
| NS | 3000-1244 | Compressor Wire Harness | | | X | X |

NS = Not Shown

① = Optional

FUNCTIONAL COMPONENTS – DEHUM. MODELS

| Dwg No. | Part Number | Description | W24H2DA | W24H2DB | W24H2DC |
|---------|-------------|---|---------|---------|---------|
| 1 | 8000-314 | Compressor | X | | |
| 1 | 8000-315 | Compressor | | X | |
| 1 | 8000-316 | Compressor | | | X |
| 2 | S900-248 | Blower Assembly | X | X | |
| 2 | S900-250 | Blower Assembly | | | X |
| 3 | 8200-001 | Fan Motor Mount | X | X | X |
| 4 | 5151-033 | Fan Blade | X | X | |
| 4 | 5151-046 | Fan Blade | | | X |
| 5 | 8103-016 | Condenser Motor | X | X | |
| 5 | 8103-020 | Condenser Motor | | | X |
| 6 | 5051-115BX | Condenser Coil | X | X | X |
| 7 | 5651-200 | Cooling Expansion Valve | X | X | X |
| 7 | 800-0300 | Cooling Distributor Assembly | X | X | X |
| 8 | 917-0048BX | Evaporator Coil Assembly | X | X | X |
| 9 | 7004-011 | Air Filter 1" Throw-Away | X | X | X |
| 9 | 7003-032 | Air Filter 1" Washable ① | X | X | X |
| 9 | 7004-025 | Air Filter 2" Pleated ① | X | X | X |
| 10 | 1171-022 | 1/4" Turn Fastener | X | X | X |
| 11 | 1171-024 | 1/4" Turn Retainer | X | X | X |
| 12 | 1171-023 | 1/4" Receptacle | X | X | X |
| 13 | 5650-038 | Reversing Valve with 24V Solenoid Coil | X | X | X |
| 14 | 5650-042 | Rev. Valve Solenoid, Red Casing (Ranco) | X | X | X |
| 14 | 5650-043 | Rev. Valve Solenoid, Black Casing (Wilspec) | X | X | X |
| 14 | 5650-046 | Rev. Valve Solenoid, Black Casing (San Hua) | X | X | X |
| 15 | 5650-037 | Molded Plug 36" Lead | X | X | X |
| 16 | 5201-009 | Filter Drier | X | X | X |
| 17 | 8620-224 | Defrost Sensor | X | X | X |
| 18 | 5651-191 | Heating TXV Thermal Expansion Valve | X | X | X |
| 19 | 1804-0462 | High Pressure Switch (Flare) ① | X | X | X |
| 20 | 800-0380 | Heating Distributor Assembly | X | X | X |
| NS | 3000-1276 | Compressor Wire Harness | X | | |
| NS | 3000-1244 | Compressor Wire Harness | | X | X |
| NS | 5651-146 | Check Valve | X | X | X |
| NS | 1804-0107 | Low Pressure Switch (Flare) ① | X | X | X |
| NS | CMA-28 | Low Ambient Control (Flare) ① | X | X | X |
| NS | 5650-042 | Rev. Valve Solenoid, Red Casing (Ranco) | X | X | X |
| NS | 5650-046 | Rev. Valve Solenoid, Black Casing (San Hua) | X | X | X |
| NS | 5650-045 | 3-Way Valve with 24V Solenoid Coil | X | X | X |
| NS | 5650-043 | Flow Control (Orifice) | X | X | X |

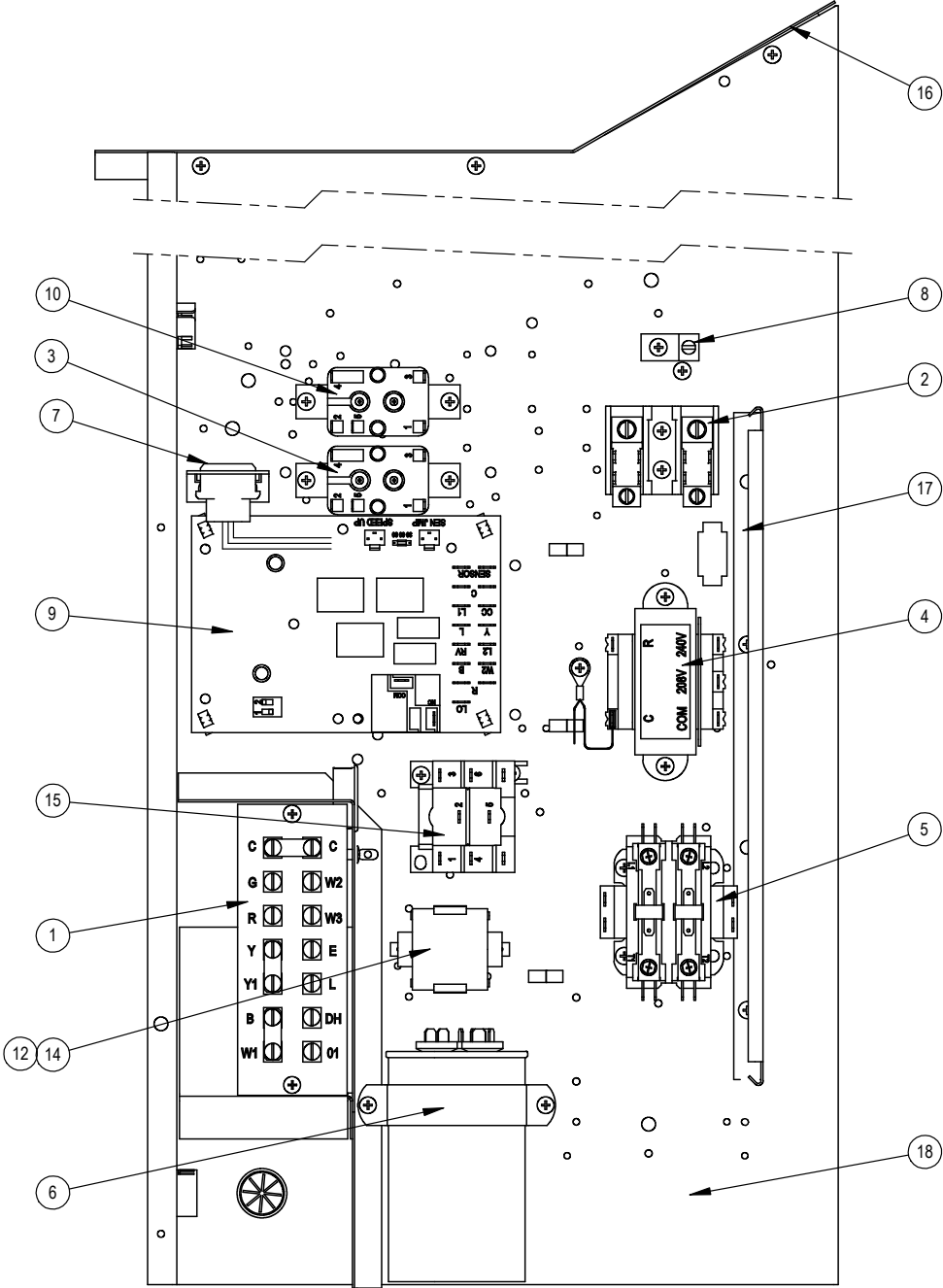
NS = Not Shown

① = Optional

Refer to drawing on page 4

This page intentionally left blank.

CONTROL PANEL



SEXP-168 C

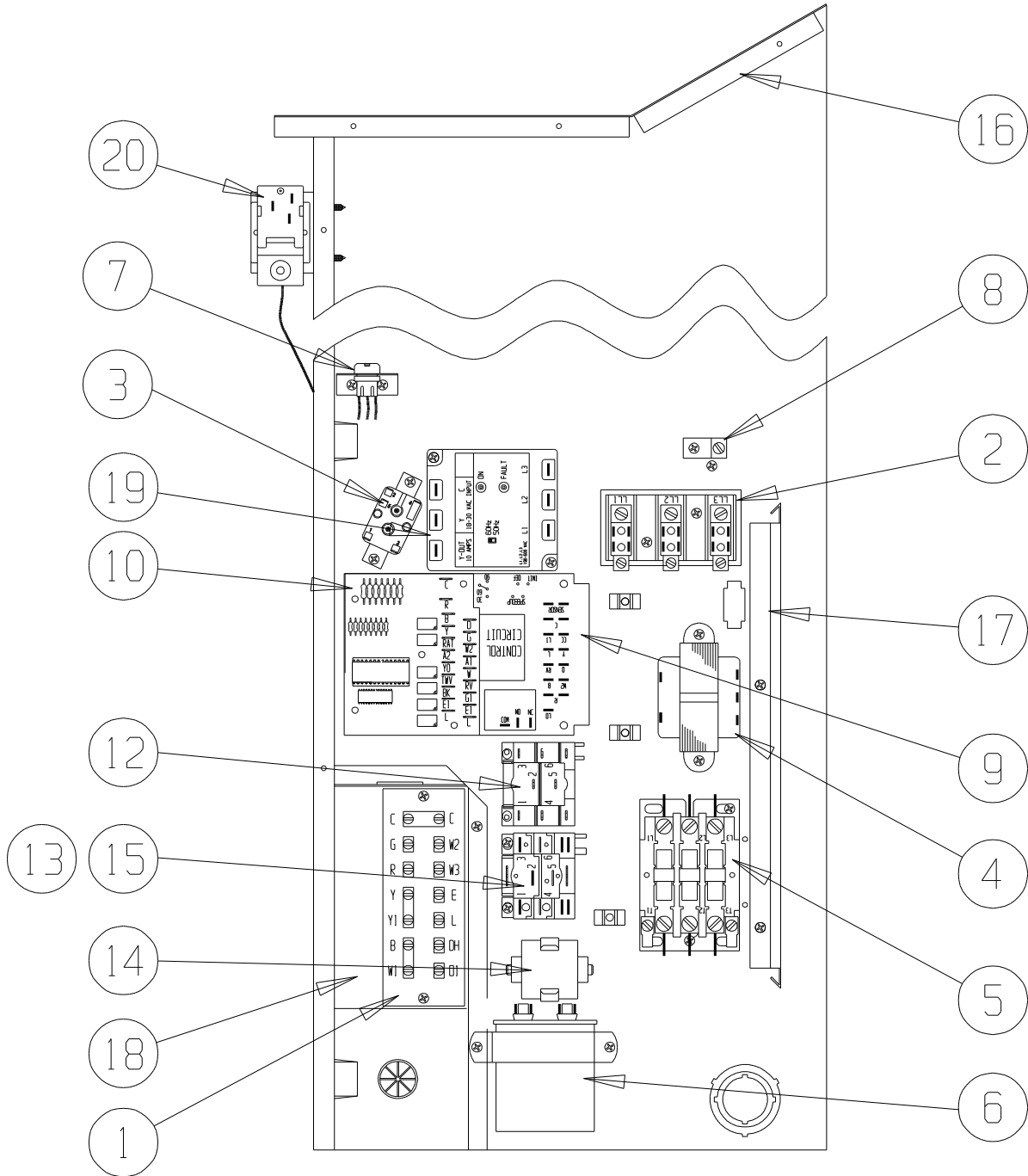
CONTROL PANEL

| Dwg No. | Part Number | Description | W18H2-A | W24H2-A | W24H2-B | W24H2-C |
|---------|-------------|----------------------------|---------|---------|---------|---------|
| 1 | 8607-019 | Low Voltage Terminal Strip | X | X | X | X |
| 2 | 8607-013 | Terminal Block 2 Pole | X | X | | |
| 2 | 8607-014 | Terminal Block 3 Pole | | | X | X |
| 2 | 8607-015 | Phenolic Insulator | | | | X |
| 3 | 8201-009 | Blower Control Relay | X | X | X | |
| 3 | 8201-032 | Blower Control Relay | | | | X |
| 4 | 8407-035 | Transformer | X | X | X | |
| 4 | 8407-042 | Transformer | | | | X |
| 5 | 8401-006 | Compressor Contactor | X | X | | |
| 5 | 8401-002 | Compressor Contactor | | | X | X |
| 6 | 8552-047 | Compressor Capacitor | X | | | |
| 6 | 8552-050 | Compressor Capacitor | | X | | |
| 6 | 8552-002 | Outdoor Motor Capacitor | | | X | X |
| 7 | 3000-1284 | Wire Assembly | X | X | X | X |
| 8 | 8611-006 | Ground Terminal | X | X | X | X |
| 9 | 8620-223 | Heat Pump Control Board | X | X | X | X |
| 10 | 8201-009 | ID Motor Speed Relay SPDT | X | | | |
| 12 | 8201-086 | Low Ambient Bypass Relay ① | X | X | X | X |
| 13 | 8607-017 | LAC Terminal Block ① | X | X | X | X |
| 14 | 8551-004 | Start Device (PTCR) ① | X | X | | |
| 15 | 8201-032 | Outdoor Fan Relay | | | | X |
| 16 | 117X137 | Control Panel Top | X | X | X | X |
| 17 | 135-122 | Wire Shield | X | X | X | X |
| 18 | 117X123 | Control Panel | X | X | X | X |
| NS | 4096-141 | Wiring Diagram | X | X | | |
| NS | 4096-241 | Wiring Diagram | | | X | |
| NS | 4096-340 | Wiring Diagram | | | | X |
| NS | 8201-126 | 3-Phase Line Monitor | | | X | X |
| NS | CMH-14A | ODT Kit | X | X | X | X |
| NS | 8615-035 | Circuit Breaker 20A 2-Pole | X | | | |
| NS | 8615-036 | Circuit Breaker 25A 2-Pole | | X | | |
| NS | 8615-054 | Circuit Breaker 20A 3-Pole | | | X | |
| NS | 8615-067 | 460V 40A Toggle Disconnect | | | | X |

NS = Not Shown

① = Optional

CONTROL PANEL - DEHUM. MODELS



SEXP-540

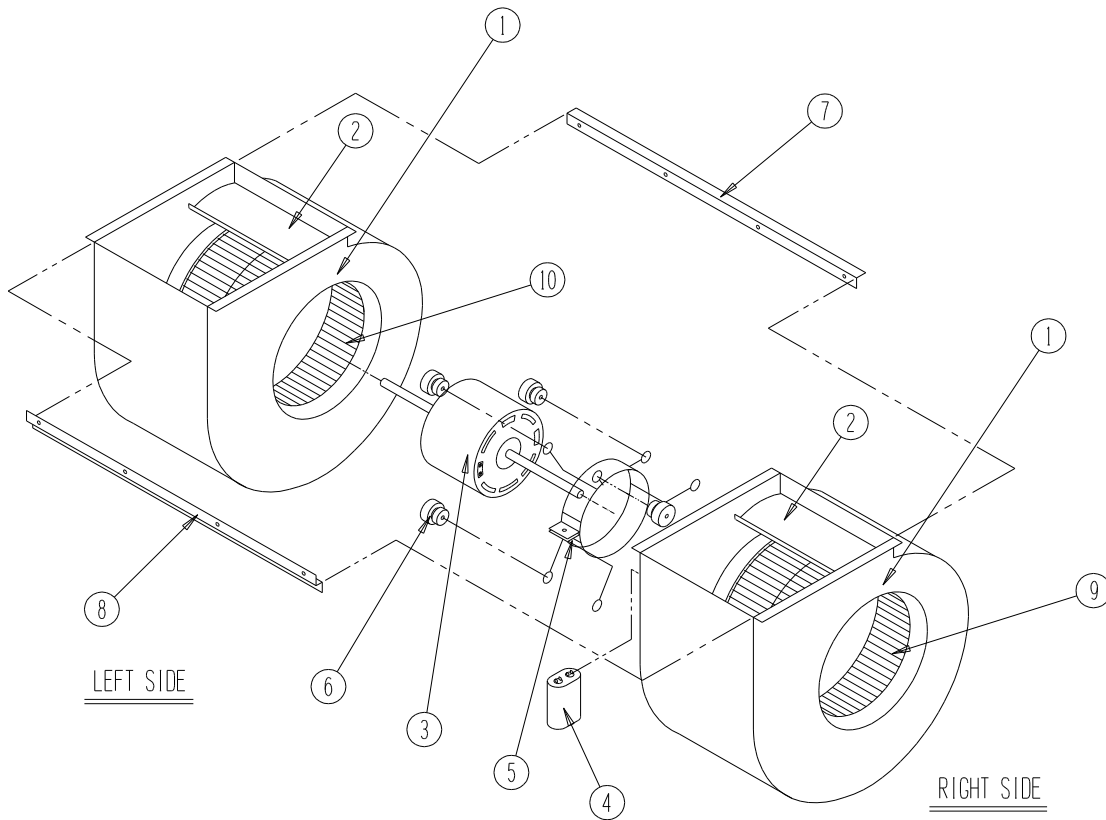
CONTROL PANEL – DEHUM. MODELS

| Dwg No. | Part Number | Description | W24H2DA | W24H2DB | W24H2DC |
|---------|-------------|--------------------------------|---------|---------|---------|
| 1 | 8607-019 | Low Voltage Terminal Strip | X | X | X |
| 2 | 8607-013 | Terminal Block 2 Pole | X | | |
| 2 | 8607-014 | Terminal Block 3 Pole | | X | X |
| 2 | 8607-015 | Phenolic Insulator | | | X |
| 3 | 8201-009 | Blower Control Relay | X | X | |
| 3 | 8201-032 | Blower Control Relay | | | X |
| 4 | 8407-065 | Transformer 75VA | X | X | |
| 4 | 8407-050 | Transformer 75VA | | | X |
| 5 | 8401-006 | Compressor Contactor | X | | |
| 5 | 8401-002 | Compressor Contactor | | X | X |
| 6 | 8552-050 | Compressor Capacitor | X | | |
| 6 | 8552-002 | Outdoor Motor Capacitor | | X | X |
| 7 | 3000-1285 | Wire Assembly | X | X | X |
| 8 | 8611-006 | Ground Terminal | X | X | X |
| 9 | 8620-223 | Heat Pump Control Board | X | X | X |
| 10 | 8201-113 | Dehumidification Logic Board ① | X | X | X |
| 12 | 8201-086 | Low Ambient Bypass Relay ① | X | X | X |
| 13 | 8607-017 | LAC Terminal Block ① | X | X | X |
| 14 | 8551-004 | Start Device (PTCR) ① | X | | |
| 15 | 8201-032 | Outdoor Fan Relay | | | X |
| 16 | 117X137 | Control Panel Top | X | X | X |
| 17 | 135-122 | Wire Shield | X | X | X |
| 18 | 117X123 | Control Panel | X | X | X |
| 19 | 8201-126 | 3-Phase Line Monitor | | X | X |
| 20 | 8408-037 | Return Air Thermostat | X | X | X |
| NS | 8615-036 | Circuit Breaker 25A 2-Pole | X | | |
| NS | 8615-054 | Circuit Breaker 20A 3-Pole | | X | |
| NS | 8615-067 | 460V 40A Toggle Disconnect | | | X |
| NS | 4096-143 | Wiring Diagram | X | | |
| NS | 4096-244 | Wiring Diagram | | X | |
| NS | 4096-342 | Wiring Diagram | | | X |

NS = Not Shown

① = Optional

BLOWER ASSEMBLY



SEXP-346

| Dwg No. | Part Number | Description | S900-326 | S900-250 | S900-291 |
|---------|-------------|------------------------|----------|----------|----------|
| 1 | 151-115 | Blower Housing | 2 | 2 | 2 |
| 2 | 144-183 | Cutoff | 2 | 2 | 2 |
| 3 | 8102-016 | Blower Motor (230/208) | X | | |
| 3 | 8105-033 | Blower Motor (460) | | X | |
| 3 | 8102-014 | Blower Motor (230/208) | | | X |
| 4 | 8552-002 | Capacitor | | X | X |
| 4 | 8552-004 | Capacitor | X | | |
| 5 | 8200-031 | Motor Mount | X | X | X |
| 6 | 5451-011 | Grommets | 6 | 6 | 6 |
| 7 | 105-1061 | Back Brace | X | X | X |
| 8 | 103-435 | Front Brace | X | X | X |
| 9 | 5152-092 | Wheel 9-6 CW | X | X | X |
| 10 | 5152-093 | Wheel 9-6 CCW | X | X | X |