
REPLACEMENT PARTS MANUAL

WALL MOUNTED PACKAGED HEAT PUMP

Models:

W18H2-A W24H2-A W24H2DA
W24H2-B W24H2DB
W24H2-C W24H2DC

General Notes

- Revised and/or additional pages may be issued from time to time.
- A complete and current manual consists of pages shown in the following contents section.

Important

- Contact the installing and/or local Bard distributor for all parts requirements. Be sure to have the complete model and serial number available from the unit rating plates.

Contents

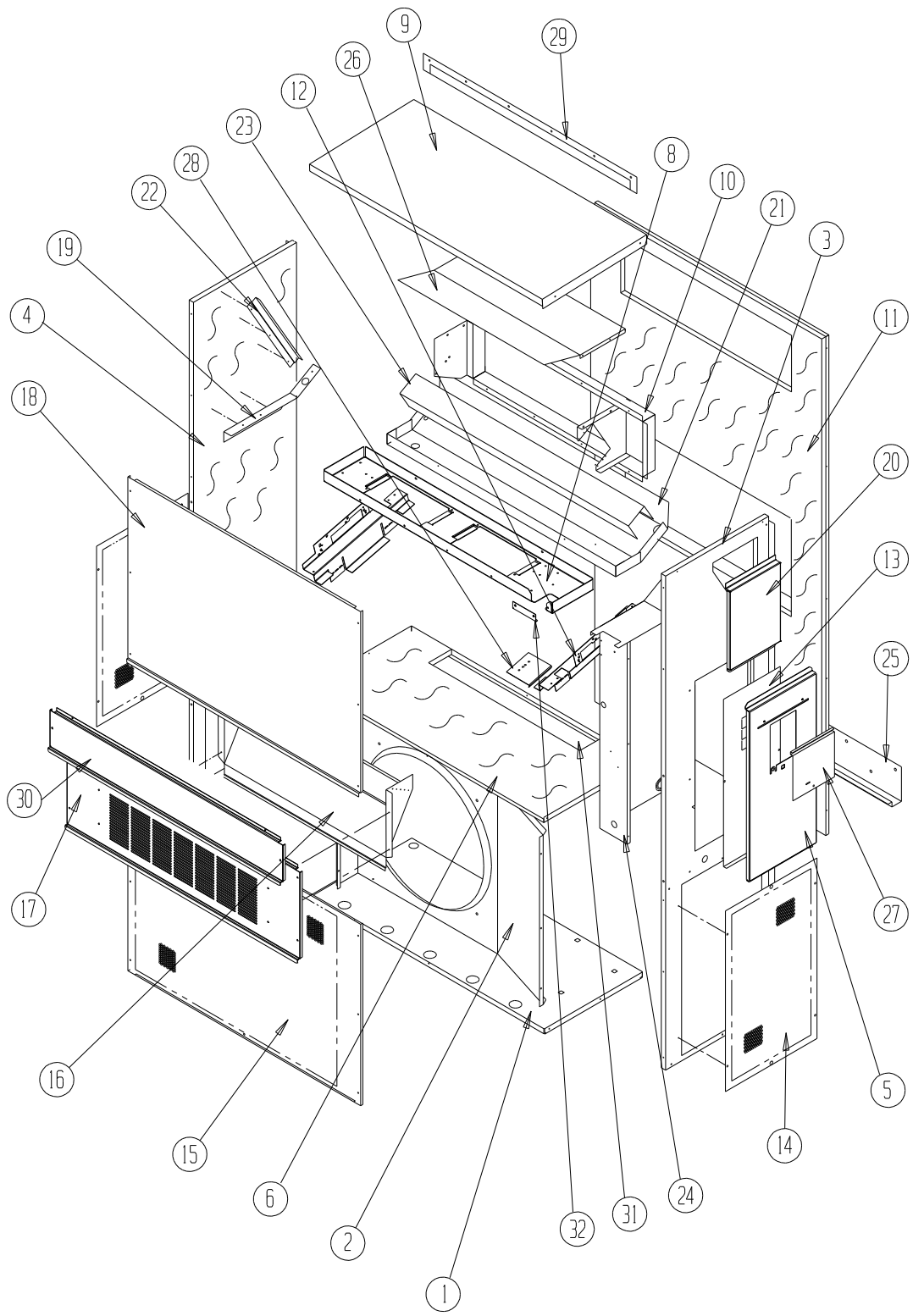
<u>Description</u>	<u>Page</u>
Cabinet Components	
♦ Exploded View	2
♦ Usage List	3
Functional Components	
♦ Exploded View	4
♦ Usage List	5
♦ Usage List – Dehum. Models	6
Control Panel	
♦ Layout View	8
♦ Usage List	9
Control Panel – Dehum. Models	
♦ Layout View	10
♦ Usage List	11
Blower Assembly	
♦ Exploded View	12
♦ Usage List	12



Bard Manufacturing Company, Inc.
Bryan, Ohio 43506
www.bardhvac.com

Manual: 2110-595I
Supersedes: 2110-595H
Date: 1-8-20

CABINET COMPONENTS



SEXP-684

CABINET COMPONENTS

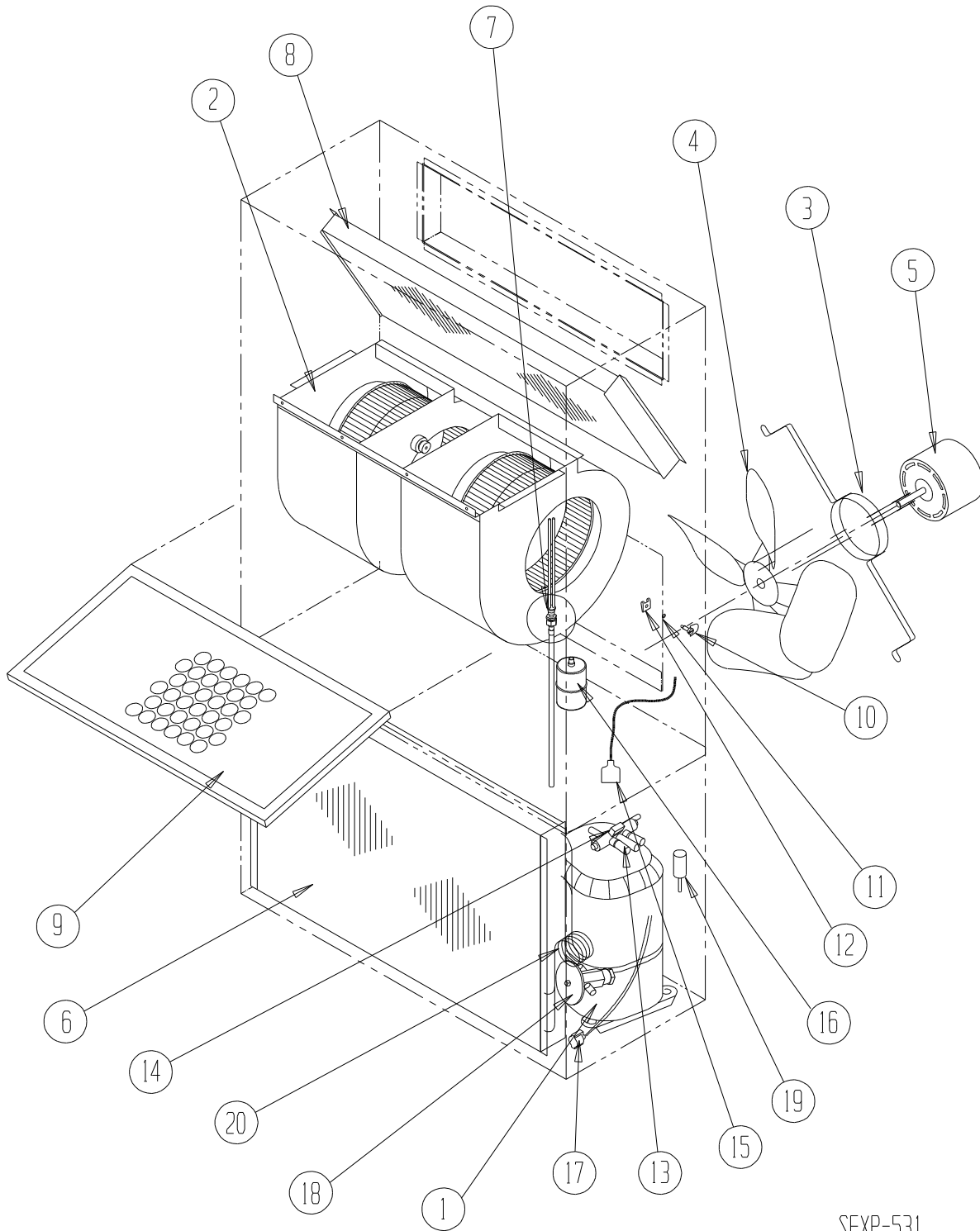
Dwg No.	Part Number	Description	W18H2-A	W24H2-A, B	W24H2-C
1	127-467	Lower Base	X	X	X
1	127-439 ③	Lower Base	X	X	X
2	125-023	Fan Shroud	X	X	X
2	125-056 ③	Fan Shroud	X	X	X
3	S501-684-* ①	Right Side	X	X	X
3	S501-722 ②	Right Side	X	X	X
3	S501-720 ③	Right Side	X	X	X
4	S501-711-* ①	Left Side	X	X	X
4	S501-723 ②	Left Side	X	X	X
4	S501-721 ③	Left Side	X	X	X
5	S533-228 ①	Control Panel Cover (Outer)	X	X	X
5	S533-236 ②	Control Panel Cover (Outer)	X	X	X
5	S533-235 ③	Control Panel Cover (Outer)	X	X	X
6	S521X204	Condenser Partition	X	X	X
8	121X336	Blower Partition	X	X	X
9	S507-311-* ①	Top	X	X	X
9	S507-317 ③	Top	X	X	X
10	S111X032	Outlet Air Frame Assembly	X	X	X
11	S508-097	Back	X	X	X
11	S508-291 ②	Back	X	X	X
11	S508-220 ③	Back	X	X	X
12	113X480	Filter Bracket	2	2	2
13	S132-104	Control Panel Cover (Inner)	X	X	
13	S132-172	Control Panel Cover (Inner)			X
14	118-056-* ①	Side Grille	2	2	2
14	118-060 ②	Side Grille	2	2	2
14	118-067 ③	Side Grille	2	2	2
15	118-050-* ①	Condenser Grille	X	X	X
15	118-070 ②	Condenser Grille	X	X	X
15	118-076 ③	Condenser Grille	X	X	X
16	BFAD-2	Fresh Air Damper Assembly	X	X	X
17	S553-537-* ①	Vent Option Door	X	X	X
17	S553-539 ①	Vent Option Door with ERV	X	X	X
17	S553-548 ②	Vent Option Door	X	X	X
17	S553-547 ③	Vent Option Door	X	X	X
18	S514-240-* ①	Upper Front	X	X	X
18	S514-236 ③	Upper Front	X	X	X
19	105X850	Side Support	X	X	X
20	S543-175-* ①	Right Side Cover Plate (Outer)	X	X	X
20	S543-184 ②	Right Side Cover Plate (Outer)	X	X	X
20	S543-185 ③	Right Side Cover Plate (Outer)	X	X	X
21	S123-126	Drain Pan	X	X	X
21	S123-140 ②③	Drain Pan	X	X	X
22	147-044	Evaporator Support	X	X	X
23	137-694	Bottom Evaporator Fill	X	X	X
24	Control Panel Assembly	See Control Panel Assy. Drawing & Parts List Assy.	X	X	X
25	113-140	Bottom Mounting Bracket	X	X	X
26	135X127	Heat Shield	X	X	X
27	S153-218 ①	Disconnect Access Door	X	X	X
27	S153-387 ②	Disconnect Access Door	X	X	X
27	S153-405 ③	Disconnect Access Door	X	X	X
28	137-259	Fill Plate	X	X	X
29	113-141-* ①	Top Rain Flashing	X	X	X
29	113-361 ③	Top Rain Flashing	X	X	X
30	S553-538-* ①	Filter Door	X	X	X
30	S553-552 ②	Filter Door	X	X	X
30	S553-551 ③	Filter Door	X	X	X
31	S536-176	Cond. Partition Block Off Plate	X	X	X

① Exterior cabinet parts are manufactured with various paint color options. To ensure the proper paint color is received, include the complete model and serial number of the unit for which cabinet parts are being ordered.

② Exterior cabinet parts are manufactured from aluminum Code "A"

③ Exterior cabinet parts are manufactured from stainless steel Code "S"

FUNCTIONAL COMPONENTS



SEXP-531

This drawing to be used for reference for pages 5 and 6

FUNCTIONAL COMPONENTS

Dwg No.	Part Number	Description	W18H2-A	W24H2-A	W24H2-B	W24H2-C
1	8000-313	Compressor	X			
1	8000-314	Compressor		X		
1	8000-315	Compressor			X	
1	8000-316	Compressor				X
2	S900-291	Blower Assembly	X			
2	S900-326	Blower Assembly		X	X	
2	S900-250	Blower Assembly				X
3	8200-001	Fan Motor Mount	X	X	X	X
4	5151-033	Fan Blade	X	X	X	
4	5151-046	Fan Blade				X
5	8103-028	Condenser Motor	X	X	X	
5	8103-030	Condenser Motor				X
6	5051-115BX	Condenser Coil	X	X	X	X
7	800-0646	Cooling Distributor Assembly	X			
7	800-0647	Cooling Distributor Assembly		X	X	X
8	5060-065BX	Evaporator Coil	X	X	X	X
9	7004-011	Air Filter 1" Throw-Away	X	X	X	X
9	7003-032	Air Filter 1" Washable ①	X	X	X	X
9	7004-025	Air Filter 2" Pleated ①	X	X	X	X
10	1171-022	1/4" Turn Fastener	X	X	X	X
11	1171-024	1/4" Turn Retainer	X	X	X	X
12	1171-023	1/4" Receptacle	X	X	X	X
13	5650-038	Reversing Valve with 24V Solenoid Coil	X	X	X	X
14	5650-042	Rev. Valve Solenoid, Red Casing (Ranco)	X	X	X	X
14	5650-043	Rev. Valve Solenoid, Black Casing (Wilspec)	X	X	X	X
14	5650-046	Rev. Valve Solenoid, Black Casing (San Hua)	X	X	X	X
15	5650-037	Molded Plug 3/6" Lead	X	X	X	X
16	5201-009	Filter Drier	X	X	X	X
17	8620-224	Defrost Sensor	X	X	X	X
18	5651-191	Heating TXV Thermal Expansion Valve	X	X	X	X
19	8406-142	High Pressure Switch, Screw On, 650 PSIG	X	X	X	X
20	800-0380	Heating Distributor Assembly	X	X	X	X
NS	8406-135	Low Pressure Switch, Screw On, 14 PSIG	X	X	X	X
NS	CMH-19	Low Ambient Control (Flare) ①	X	X	X	X
NS	3000-1276	Compressor Wire Harness	X	X		
NS	3000-1244	Compressor Wire Harness			X	X
NS	6031-009	Coremax Valve Core	2	2	2	2
NS	CMH-14A	Outdoor Thermostat	X	X	X	X

NS = Not Shown

① = Optional

FUNCTIONAL COMPONENTS – DEHUM. MODELS

Dwg No.	Part Number	Description	W24H2DA	W24H2DB	W24H2DC
1	8000-314	Compressor	X		
1	8000-315	Compressor		X	
1	8000-316	Compressor			X
2	S900-248	Blower Assembly	X	X	
2	S900-250	Blower Assembly			X
3	8200-001	Fan Motor Mount	X	X	X
4	5151-033	Fan Blade	X	X	
4	5151-046	Fan Blade			X
5	8103-028	Condenser Motor	X	X	
5	8103-030	Condenser Motor			X
6	5051-115BX	Condenser Coil	X	X	X
7	5651-200	Cooling Expansion Valve	X	X	X
7	800-0300	Cooling Distributor Assembly	X	X	X
8	917-0048BX	Evaporator Coil Assembly	X	X	X
9	7004-011	Air Filter 1" Throw-Away	X	X	X
9	7003-032	Air Filter 1" Washable ①	X	X	X
9	7004-025	Air Filter 2" Pleated ①	X	X	X
10	1171-022	1/4" Turn Fastener	X	X	X
11	1171-024	1/4" Turn Retainer	X	X	X
12	1171-023	1/4" Receptacle	X	X	X
13	5650-038	Reversing Valve with 24V Solenoid Coil	X	X	X
14	5650-042	Rev. Valve Solenoid, Red Casing (Ranco)	X	X	X
14	5650-043	Rev. Valve Solenoid, Black Casing (Wilspec)	X	X	X
14	5650-046	Rev. Valve Solenoid, Black Casing (San Hua)	X	X	X
15	5650-037	Molded Plug 36" Lead	X	X	X
16	5201-009	Filter Drier	X	X	X
17	8620-224	Defrost Sensor	X	X	X
18	5651-191	Heating TXV Thermal Expansion Valve	X	X	X
19	8406-142	High Pressure Switch, Screw On, 650 PSIG	X	X	X
20	800-0380	Heating Distributor Assembly	X	X	X
NS	3000-1276	Compressor Wire Harness	X		
NS	3000-1244	Compressor Wire Harness		X	X
NS	5651-146	Check Valve	X	X	X
NS	8406-135	Low Pressure Switch, Screw On, 14 PSIG	X	X	X
NS	CMH-19	Low Ambient Control (Flare) ①	X	X	X
NS	5650-042	Rev. Valve Solenoid, Red Casing (Ranco)	X	X	X
NS	5650-046	Rev. Valve Solenoid, Black Casing (San Hua)	X	X	X
NS	5650-045	3-Way Valve with 24V Solenoid Coil	X	X	X
NS	5650-043	Flow Control (Orifice)	X	X	X
NS	6031-009	Coremax Valve Core	2	2	2
NS	CMH-14A	Outdoor Thermostat	X	X	X

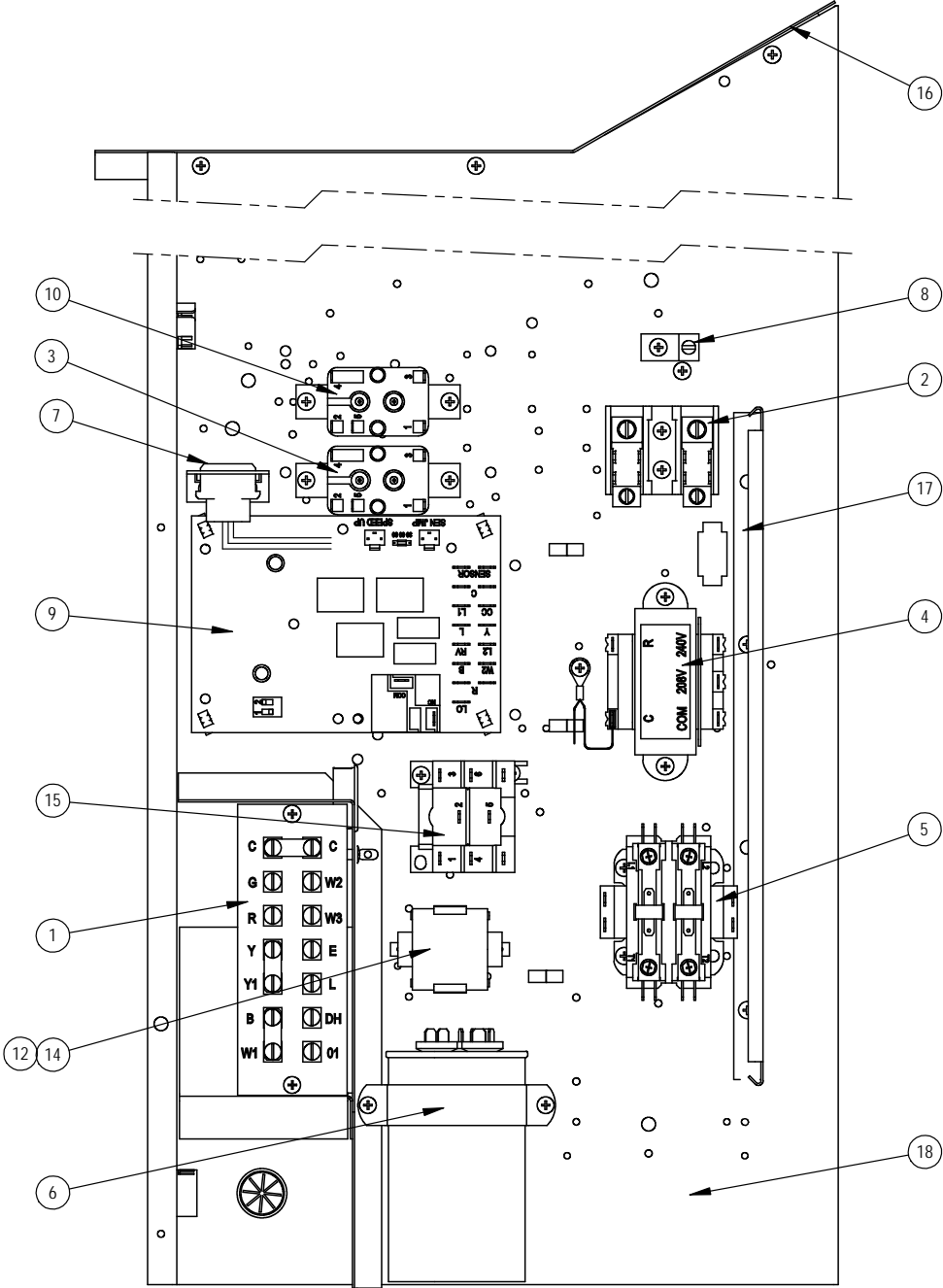
NS = Not Shown

① = Optional

Refer to drawing on page 4

This page intentionally left blank.

CONTROL PANEL



SEXP-168 C

CONTROL PANEL

Dwg No.	Part Number	Description	W18H2-A	W24H2-A	W24H2-B	W24H2-C
1	8607-019	Low Voltage Terminal Strip	X	X	X	X
2	8607-013	Terminal Block 2 Pole	X	X		
2	8607-014	Terminal Block 3 Pole			X	X
2	8607-015	Phenolic Insulator				X
3	8201-009	Blower Control Relay	X	X	X	
3	8201-032	Blower Control Relay				X
4	8407-068	Transformer	X	X	X	
4	8407-069	Transformer				X
5	8401-006	Compressor Contactor	X	X		
5	8401-002	Compressor Contactor			X	X
6	8552-047	Compressor Capacitor	X			
6	8552-050	Compressor Capacitor		X		
6	8552-002	Outdoor Motor Capacitor			X	X
7	3000-1284	Wire Assembly	X	X	X	X
8	8611-006	Ground Terminal	X	X	X	X
9	8620-223	Heat Pump Control Board	X	X	X	X
10	8201-009	ID Motor Speed Relay SPDT	X			
12	8201-086	Low Ambient Bypass Relay ①	X	X	X	X
13	8607-017	LAC Terminal Block ①	X	X	X	X
14	8551-004	Start Device (PTCR) ①	X	X		
15	8201-032	Outdoor Fan Relay				X
16	117X137	Control Panel Top	X	X	X	X
17	135-122	Wire Shield	X	X	X	X
18	117X123	Control Panel	X	X	X	X
NS	4096-141	Wiring Diagram	X	X		
NS	4096-241	Wiring Diagram			X	
NS	4096-340	Wiring Diagram				X
NS	8201-126	3-Phase Line Monitor			X	X
NS	CMH-14A	ODT Kit	X	X	X	X
NS	8615-035	Circuit Breaker 20A 2-Pole	X			
NS	8615-036	Circuit Breaker 25A 2-Pole		X		
NS	8615-054	Circuit Breaker 20A 3-Pole			X	
NS	8615-067	460V 40A Toggle Disconnect				X

NS = Not Shown

① = Optional

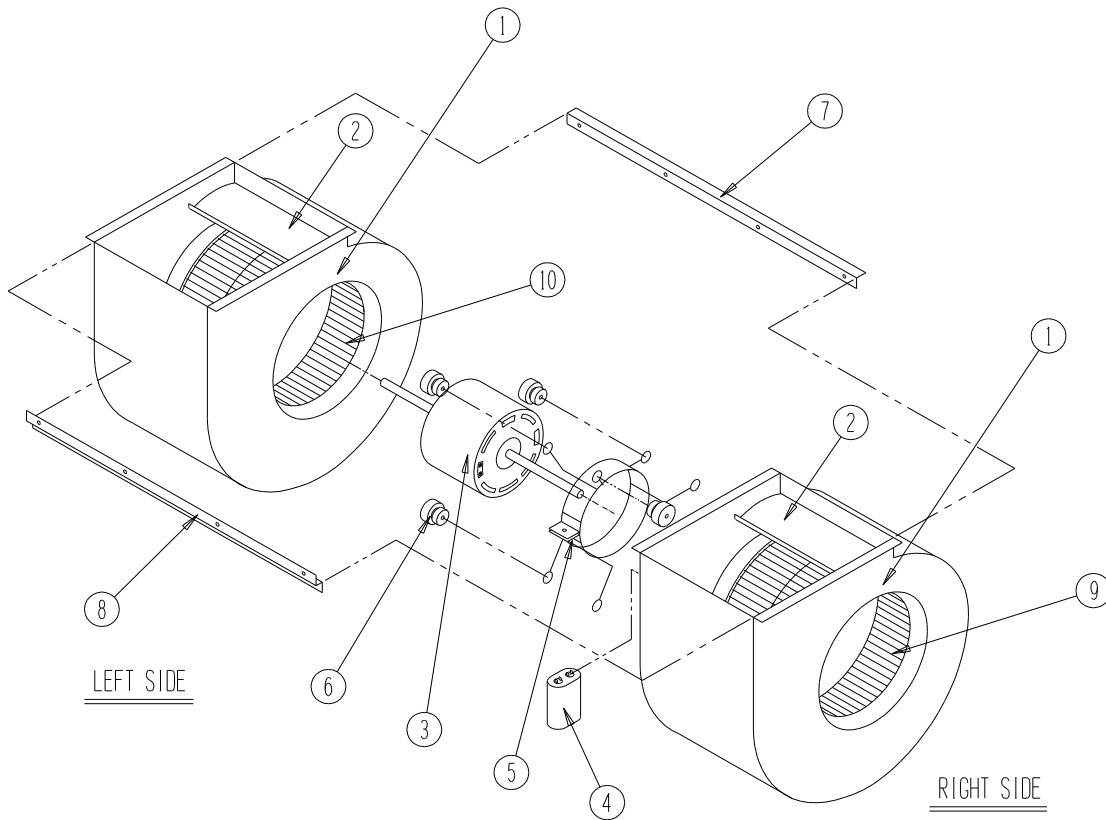
CONTROL PANEL – DEHUM. MODELS

Dwg No.	Part Number	Description	W24H2DA	W24H2DB	W24H2DC
1	8607-019	Low Voltage Terminal Strip	X	X	X
2	8607-013	Terminal Block 2 Pole	X		
2	8607-014	Terminal Block 3 Pole		X	X
2	8607-015	Phenolic Insulator			X
3	8201-009	Blower Control Relay	X	X	
3	8201-032	Blower Control Relay			X
4	8407-065	Transformer 75VA	X	X	
4	8407-050	Transformer 75VA			X
5	8401-006	Compressor Contactor	X		
5	8401-002	Compressor Contactor		X	X
6	8552-050	Compressor Capacitor	X		
6	8552-002	Outdoor Motor Capacitor		X	X
7	3000-1285	Wire Assembly	X	X	X
8	8611-006	Ground Terminal	X	X	X
9	8620-223	Heat Pump Control Board	X	X	X
10	8201-113	Dehumidification Logic Board ①	X	X	X
12	8201-086	Low Ambient Bypass Relay ①	X	X	X
13	8607-017	LAC Terminal Block ①	X	X	X
14	8551-004	Start Device (PTCR) ①	X		
15	8201-032	Outdoor Fan Relay			X
16	117X137	Control Panel Top	X	X	X
17	135-122	Wire Shield	X	X	X
18	117X123	Control Panel	X	X	X
19	8201-126	3-Phase Line Monitor		X	X
20	8408-037	Return Air Thermostat	X	X	X
NS	8615-036	Circuit Breaker 25A 2-Pole	X		
NS	8615-054	Circuit Breaker 20A 3-Pole		X	
NS	8615-067	460V 40A Toggle Disconnect			X
NS	4096-143	Wiring Diagram	X		
NS	4096-244	Wiring Diagram		X	
NS	4096-342	Wiring Diagram			X

NS = Not Shown

① = Optional

BLOWER ASSEMBLY



SEXP-346

Dwg No.	Part Number	Description	S900-326	S900-250	S900-291
1	151-115	Blower Housing	2	2	2
2	144-183	Cutoff	2	2	2
3	8102-016	Blower Motor (230/208)	X		
3	8105-033	Blower Motor (460)		X	
3	8102-014	Blower Motor (230/208)			X
4	8552-002	Capacitor		X	X
4	8552-004	Capacitor	X		
5	8200-031	Motor Mount	X	X	X
6	5451-011	Grommets	6	6	6
7	105-1061	Back Brace	X	X	X
8	103-435	Front Brace	X	X	X
9	5152-092	Wheel 9-6 CW	X	X	X
10	5152-093	Wheel 9-6 CCW	X	X	X