

---

# REPLACEMENT PARTS MANUAL

# WALL MOUNTED PACKAGE HEAT PUMPS

Models: W30H2    W30H2D  
          W36H2    W36H2D

---

## General Notes

- Revised and/or additional pages may be issued from time to time.
- A complete and current manual consists of pages shown in the following contents section.

## Important

- Contact the installing and/or local Bard distributor for all parts requirements. Make sure you have the complete model and serial number available from the unit rating plates.

## Contents

| Description                           | Page |
|---------------------------------------|------|
| Cabinet Components                    |      |
| ♦ Exploded View .....                 | 2    |
| ♦ Usage List .....                    | 3    |
| Functional Components                 |      |
| ♦ Exploded View .....                 | 4    |
| ♦ Usage List .....                    | 5    |
| Functional Components - Dehum. Models |      |
| ♦ Usage List .....                    | 6    |
| Control Panel                         |      |
| ♦ Layout View .....                   | 7    |
| ♦ Usage List .....                    | 8    |
| Control Panel                         |      |
| ♦ Layout View .....                   | 9    |
| ♦ Usage List - Dehum. ....            | 10   |
| Blower Housing                        |      |
| ♦ Exploded View .....                 | 11   |
| ♦ Usage List .....                    | 11   |



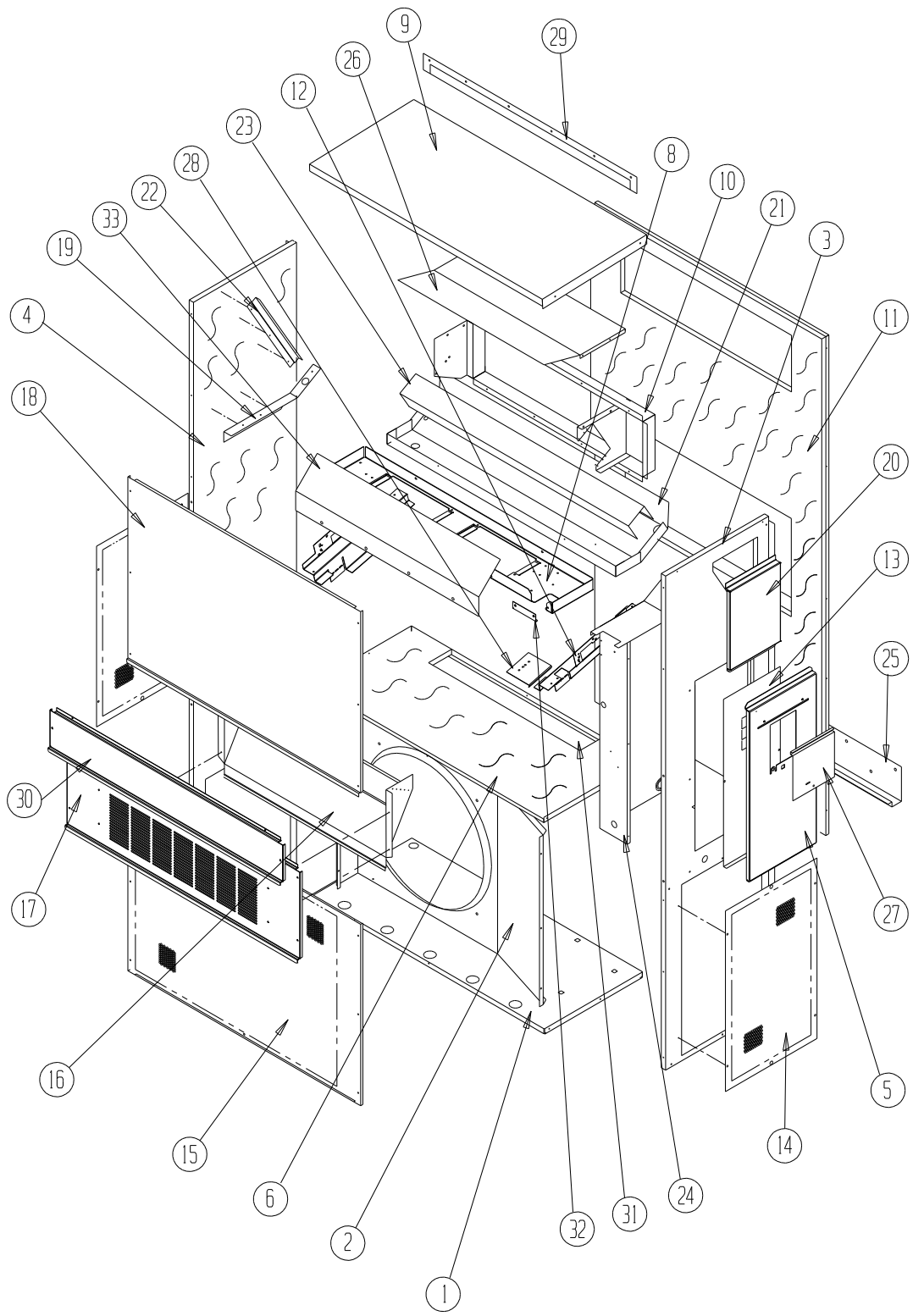
**Climate Control Solutions**

Bard Manufacturing Company, Inc.  
Bryan, Ohio 43506

*Since 1914...Moving ahead, just as planned.*

Manual: 2110-596C  
Supersedes: 2110-596B  
File: Tab 17  
Date: 08-28-14

# CABINET COMPONENTS



SEXP-688

# CABINET COMPONENTS

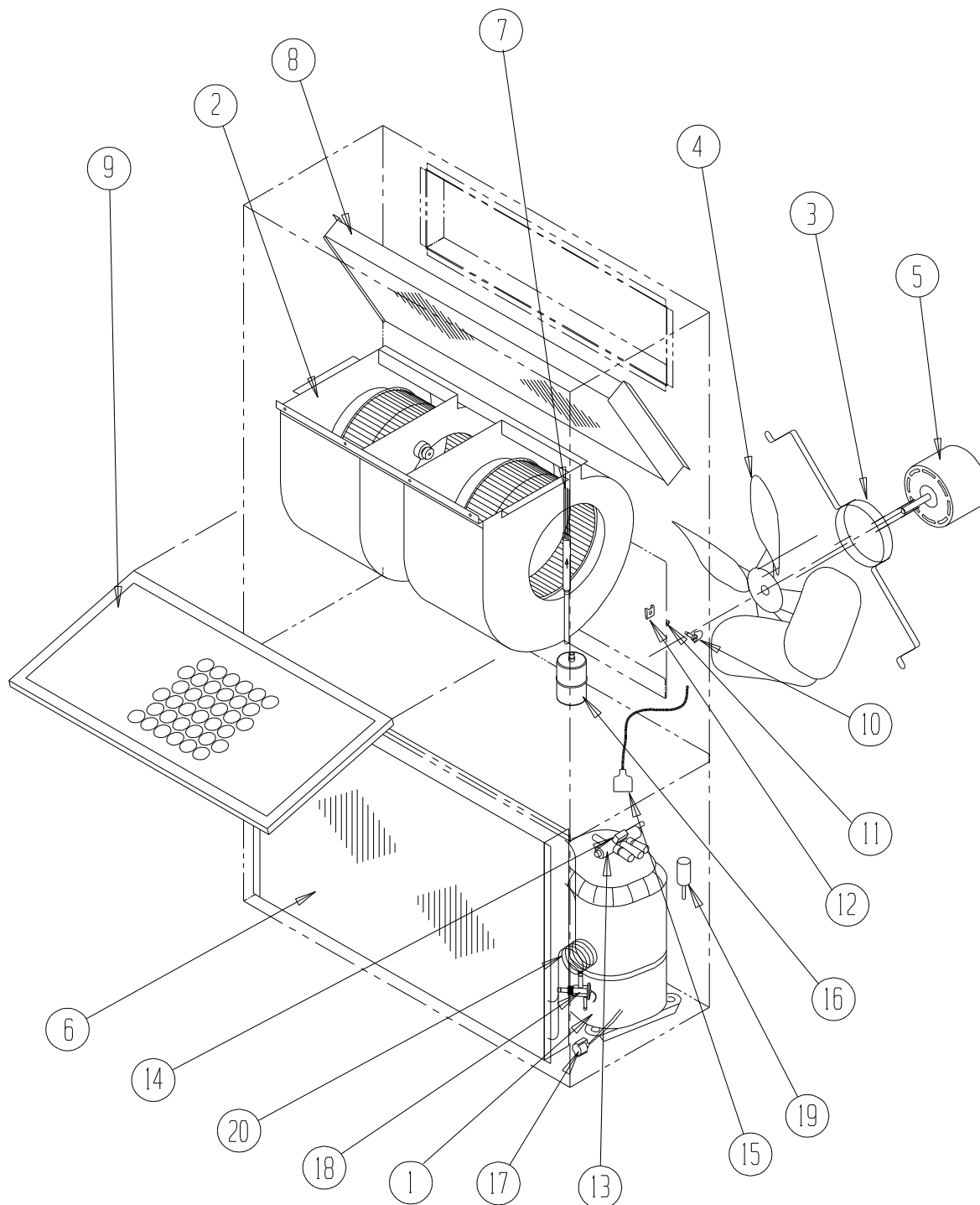
| Dwg No. | Part Number            | Description  | W30H2-A, B | W30H2-C | W30H2DA, B | W30H2DC | W36H2-A, B | W36H2-C | W36H2DA, B | W36H2DC |
|---------|------------------------|--|------------|---------|------------|---------|------------|---------|------------|---------|
| 1       | 127-471                | Lower Base   | X          | X       | X          | X       | X          | X       | X          | X       |
| 1       | 127-440 ③              | Lower Base   | X          | X       | X          | X       | X          | X       | X          | X       |
| 2       | 125-022                | Fan Shroud   | X          | X       | X          | X       | X          | X       | X          | X       |
| 2       | 125-057 ③              | Fan Shroud   | X          | X       | X          | X       | X          | X       | X          | X       |
| 3       | S501-684-* ①           | Right Side   | X          | X       | X          | X       | X          | X       | X          | X       |
| 3       | S501-722 ②             | Right Side   | X          | X       | X          | X       | X          | X       | X          | X       |
| 3       | S501-720 ③             | Right Side   | X          | X       | X          | X       | X          | X       | X          | X       |
| 4       | S501-711-* ①           | Left Side  | X          | X       | X          | X       | X          | X       | X          | X       |
| 4       | S501-723 ②             | Left Side  | X          | X       | X          | X       | X          | X       | X          | X       |
| 4       | S501-721 ③             | Left Side  | X          | X       | X          | X       | X          | X       | X          | X       |
| 5       | S533-228 ①             | Control Panel Cover (Outer)                        | X          | X       | X          | X       | X          | X       | X          | X       |
| 5       | S533-236 ②             | Control Panel Cover (Outer)                        | X          | X       | X          | X       | X          | X       | X          | X       |
| 5       | S533-235 ③             | Control Panel Cover (Outer)                        | X          | X       | X          | X       | X          | X       | X          | X       |
| 6       | S521X384               | Condenser Partition                                | X          | X       | X          | X       | X          | X       | X          | X       |
| 8       | 121X182                | Blower Partition                                   | X          | X       | X          | X       | X          | X       | X          | X       |
| 9       | S507-308-* ①           | Top  | X          | X       | X          | X       | X          | X       | X          | X       |
| 9       | S507-320 ②             | Top  | X          | X       | X          | X       | X          | X       | X          | X       |
| 9       | S507-319 ③             | Top  | X          | X       | X          | X       | X          | X       | X          | X       |
| 10      | S111X030               | Outlet Air Frame Assembly                          | X          | X       | X          | X       | X          | X       | X          | X       |
| 11      | S508-088               | Back   | X          | X       | X          | X       | X          | X       | X          | X       |
| 11      | S509-290 ②             | Back   | X          | X       | X          | X       | X          | X       | X          | X       |
| 11      | S508-222 ③             | Back   | X          | X       | X          | X       | X          | X       | X          | X       |
| 12      | 113X480                | Filter Bracket                                     | 2          | 2       | 2          | 2       | 2          | 2       | 2          | 2       |
| 13      | S132-104               | Control Panel Cover (Inner)                        | X          |         | X          |         | X          |         | X          |         |
| 13      | S132-172               | Control Panel Cover (Inner)                        |            | X       |            | X       |            | X       |            | X       |
| 14      | 118-056-* ①            | Side Grille  | 2          | 2       | 2          | 2       | 2          | 2       | 2          | 2       |
| 14      | 118-060 ②              | Side Grille  | 2          | 2       | 2          | 2       | 2          | 2       | 2          | 2       |
| 14      | 118-067 ③              | Side Grille  | 2          | 2       | 2          | 2       | 2          | 2       | 2          | 2       |
| 15      | 118-059-* ①            | Condenser Grille                                   | X          | X       | X          | X       | X          | X       | X          | X       |
| 15      | 118-061 ②              | Condenser Grille                                   | X          | X       | X          | X       | X          | X       | X          | X       |
| 15      | 118-066 ③              | Condenser Grille                                   | X          | X       | X          | X       | X          | X       | X          | X       |
| 16      | BFAD-3                 | Fresh Air Damper Assembly                          | X          | X       | X          | X       | X          | X       | X          | X       |
| 17      | S553-523-* ①           | Vent Option Door                                   | X          | X       | X          | X       | X          | X       | X          | X       |
| 17      | S553-540 ①             | Vent Option Door with ERV                          | X          | X       | X          | X       | X          | X       | X          | X       |
| 17      | S553-550 ②             | Vent Option Door                                   | X          | X       | X          | X       | X          | X       | X          | X       |
| 17      | S553-549 ③             | Vent Option Door                                   | X          | X       | X          | X       | X          | X       | X          | X       |
| 18      | S514-241-* ①           | Upper Front  | X          | X       | X          | X       | X          | X       | X          | X       |
| 18      | S515-239 ②             | Upper Front  | X          | X       | X          | X       | X          | X       | X          | X       |
| 18      | S514-238 ③             | Upper Front  | X          | X       | X          | X       | X          | X       | X          | X       |
| 19      | 105X850                | Side Support                                       | X          | X       | X          | X       | X          | X       | X          | X       |
| 20      | S543-175-* ①           | Right Side Cover Plate (Outer)                     | X          | X       | X          | X       | X          | X       | X          | X       |
| 20      | S543-184 ②             | Right Side Cover Plate (Outer)                     | X          | X       | X          | X       | X          | X       | X          | X       |
| 20      | S543-185 ③             | Right Side Cover Plate (Outer)                     | X          | X       | X          | X       | X          | X       | X          | X       |
| 21      | S123-127               | Drain Pan  | X          | X       | X          | X       | X          | X       | X          | X       |
| 21      | S123-141 ③             | Drain Pan  | X          | X       | X          | X       | X          | X       | X          | X       |
| 22      | 147-044                | Evaporator Support                                 | X          | X       | X          | X       | X          | X       | X          | X       |
| 23      | 137-685                | Bottom Evaporator Fill                             | X          | X       |            |         | X          | X       |            |         |
| 23      | 137-722                | Bottom Evaporator Fill                             |            |         | X          | X       |            |         | X          | X       |
| 24      | Control Panel Assembly | See Control Panel Assy. Drawing & Parts List Assy. | X          | X       | X          | X       | X          | X       | X          | X       |
| 25      | 113-140                | Bottom Mounting Bracket                            | X          | X       | X          | X       | X          | X       | X          | X       |
| 26      | 135X123                | Heat Shield  | X          | X       | X          | X       | X          | X       | X          | X       |
| 27      | S153-218 ①             | Disconnect Access Door                             | X          | X       | X          | X       | X          | X       | X          | X       |
| 27      | S153-387 ②             | Disconnect Access Door                             | X          | X       | X          | X       | X          | X       | X          | X       |
| 27      | S153-405 ③             | Disconnect Access Door                             | X          | X       | X          | X       | X          | X       | X          | X       |
| 28      | 137-259                | Fill Plate   | X          | X       | X          | X       | X          | X       | X          | X       |
| 29      | 113-149-* ①            | Top Rain Flashing                                  | X          | X       | X          | X       | X          | X       | X          | X       |
| 29      | 113-360 ②              | Top Rain Flashing                                  | X          | X       | X          | X       | X          | X       | X          | X       |
| 30      | S553-524-* ①           | Filter Door  | X          | X       | X          | X       | X          | X       | X          | X       |
| 30      | S553-554 ②             | Filter Door  | X          | X       | X          | X       | X          | X       | X          | X       |
| 30      | S553-553 ③             | Filter Door  | X          | X       | X          | X       | X          | X       | X          | X       |
| 31      | S536-498               | Cond. Partition Block Off Plate                    | X          | X       | X          | X       | X          | X       | X          | X       |
| 33      | 135-329                | Air Baffle   | X          | X       | X          | X       | X          | X       | X          | X       |

① Exterior cabinet parts are manufactured with various paint color options. To ensure that you receive the proper paint color, you must include the complete model and serial number of the unit for which cabinet parts are being ordered.

② Note: Exterior cabinet parts are manufactured for Code "A" aluminum cabinets

③ Note: Exterior cabinet parts are manufactured for Code "S" stainless steel cabinets

# FUNCTIONAL COMPONENTS



SEXP-529

# FUNCTIONAL COMPONENTS

| Dwg No. | Part Number | Description                                 | W30H2-A | W30H2-B | W30H2-C | W36H2-A | W36H2-B | W36H2-C |
|---------|-------------|---|---------|---------|---------|---------|---------|---------|
| 1       | 8000-298    | Compressor                                  | X       |         |         |         |         |         |
| 1       | 8000-299    | Compressor                                  |         | X       |         |         |         |         |
| 1       | 8000-300    | Compressor                                  |         |         | X       |         |         |         |
| 1       | 8000-309    | Compressor                                  |         |         |         | X       |         |         |
| 1       | 8000-310    | Compressor                                  |         |         |         |         | X       |         |
| 1       | 8000-311    | Compressor                                  |         |         |         |         |         | X       |
| 2       | S900-231    | Blower Assembly                             | X       | X       |         | X       | X       |         |
| 2       | S900-232    | Blower Assembly                             |         |         | X       |         |         | X       |
| 3       | 8200-001    | Fan Motor Mount                             | X       | X       | X       | X       | X       | X       |
| 4       | 5151-045    | Fan Blade                                   | X       | X       | X       | X       | X       | X       |
| 5       | 8103-013    | Condenser Motor                             | X       | X       |         | X       | X       |         |
| 5       | 8103-020    | Condenser Motor                             |         |         | X       |         |         | X       |
| 6       | 5051-112BX  | Condenser Coil                              |         |         |         | X       | X       | X       |
| 6       | 5051-157BX  | Condenser Coil                              | X       | X       | X       |         |         |         |
| 7       | 800-0649    | Cooling Distributor Assembly                |         |         |         | X       | X       | X       |
| 7       | 800-0648    | Cooling Distributor Assembly                | X       | X       | X       |         |         |         |
| 8       | 5060-064BX  | Evaporator Coil                             | X       | X       | X       |         |         |         |
| 8       | 5060-136BX  | Evaporator Coil                             |         |         |         | X       | X       | X       |
| 9       | 7004-019    | Air Filter 1" Throw-Away                    | X       | X       | X       | X       | X       | X       |
| 9       | 7003-031    | Air Filter 1" Washable ①                    | X       | X       | X       | X       | X       | X       |
| 9       | 7004-026    | Air Filter 2" Pleated ①                     | X       | X       | X       | X       | X       | X       |
| 10      | 1171-022    | 1/4" Turn Fastener                          | X       | X       | X       | X       | X       | X       |
| 11      | 1171-024    | 1/4" Turn Retainer                          | X       | X       | X       | X       | X       | X       |
| 12      | 1171-023    | 1/4" Receptacle                             | X       | X       | X       | X       | X       | X       |
| 13      | 5650-039    | Reversing Valve with 24V Solenoid Coil      | X       | X       | X       | X       | X       | X       |
| 14      | 5650-042    | Rev. Valve Solenoid, Red Casing (Ranco)     | X       | X       | X       | X       | X       | X       |
| 14      | 5650-043    | Rev. Valve Solenoid, Black Casing (Wilspec) | X       | X       | X       | X       | X       | X       |
| 14      | 5650-046    | Rev. Valve Solenoid, Black Casing (San Hua) | X       | X       | X       | X       | X       | X       |
| 15      | 5650-037    | Molded Plug 36" Lead                        | X       | X       | X       | X       | X       | X       |
| 16      | 5201-009    | Filter Drier                                | X       | X       | X       | X       | X       | X       |
| 17      | 8620-224    | Defrost Sensor                              | X       | X       | X       | X       | X       | X       |
| 18      | 5651-177    | Heating TXV Thermal Expansion Valve         | X       | X       | X       | X       | X       | X       |
| 19      | 1804-0462   | High Pressure Switch (Flare) ①              | X       | X       | X       | X       | X       | X       |
| 20      | 800-0378    | Heating Distributor Assembly                |         |         |         | X       | X       | X       |
| 20      | 800-0379    | Heating Distributor Assembly                | X       | X       | X       |         |         |         |
| NS      | 1804-0107   | Low Pressure Switch (Flare) ①               | X       | X       | X       | X       | X       | X       |
| NS      | CMA-28      | Low Ambient Control (Flare) ①               | X       | X       | X       | X       | X       | X       |
| NS      | 3000-1276   | Compressor Wire Harness                     | X       |         |         | X       |         |         |
| NS      | 3000-1244   | Compressor Wire Harness                     |         | X       | X       |         | X       | X       |

NS = Not Shown

① = Optional

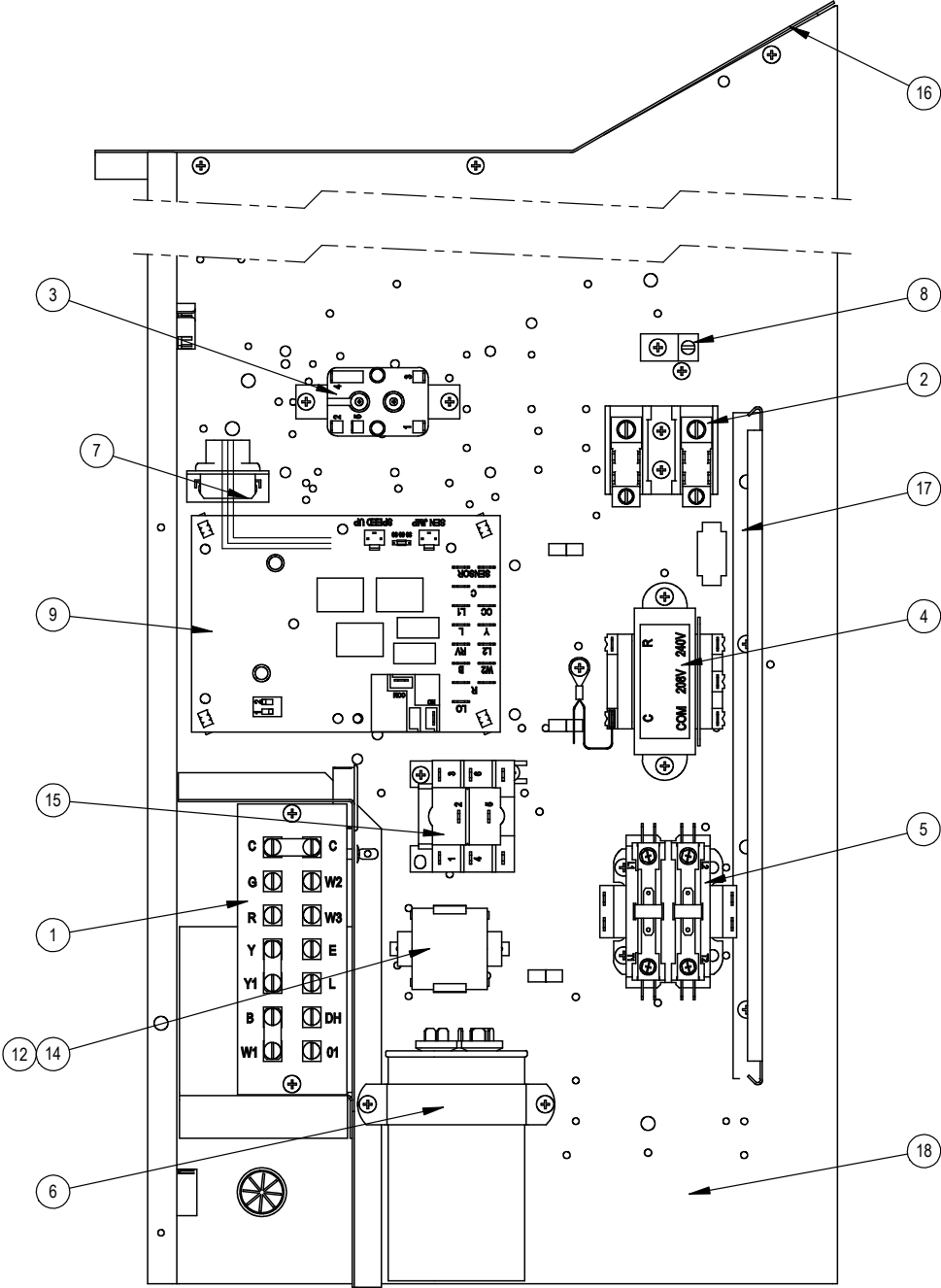
# FUNCTIONAL COMPONENTS – DEHUM. MODELS

| Dwg No. | Part Number | Description                                 | W30H2DA | W30H2DB | W30H2DC | W36H2DA | W36H2DB | W36H2DC |
|---------|-------------|---|---------|---------|---------|---------|---------|---------|
| 1       | 8000-298    | Compressor                                  | X       |         |         |         |         |         |
| 1       | 8000-299    | Compressor                                  |         | X       |         |         |         |         |
| 1       | 8000-300    | Compressor                                  |         |         | X       |         |         |         |
| 1       | 8000-309    | Compressor                                  |         |         |         | X       |         |         |
| 1       | 8000-310    | Compressor                                  |         |         |         |         | X       |         |
| 1       | 8000-311    | Compressor                                  |         |         |         |         |         | X       |
| 2       | S900-231    | Blower Assembly                             | X       | X       |         | X       | X       |         |
| 2       | S900-232    | Blower Assembly                             |         |         | X       |         |         | X       |
| 3       | 8200-001    | Fan Motor Mount                             | X       | X       | X       | X       | X       | X       |
| 4       | 5151-045    | Fan Blade                                   | X       | X       | X       | X       | X       | X       |
| 5       | 8103-013    | Condenser Motor                             | X       | X       |         | X       | X       |         |
| 5       | 8103-020    | Condenser Motor                             |         |         | X       |         |         | X       |
| 6       | 5051-112BX  | Condenser Coil                              |         |         |         | X       | X       | X       |
| 6       | 5051-157BX  | Condenser Coil                              | X       | X       | X       |         |         |         |
| 7       | 5651-200    | Cooling Expansion Valve                     | X       | X       | X       |         |         |         |
| 7       | 5651-229    | Cooling Expansion Valve                     |         |         |         | X       | X       | X       |
| 7       | 800-0392    | Cooling Distributor Assembly                | X       | X       | X       |         |         |         |
| 7       | 800-0393    | Cooling Distributor Assembly                |         |         |         | X       | X       | X       |
| 8       | 917-0043BX  | Evaporator Coil Assembly                    | X       | X       | X       |         |         |         |
| 8       | 917-0123BX  | Evaporator Coil Assembly                    |         |         |         | X       | X       | X       |
| 9       | 7004-019    | Air Filter 1" Throw-Away                    | X       | X       | X       | X       | X       | X       |
| 9       | 7003-031    | Air Filter 1" Washable ①                    | X       | X       | X       | X       | X       | X       |
| 9       | 7004-026    | Air Filter 2" Pleated ①                     | X       | X       | X       | X       | X       | X       |
| 10      | 1171-022    | 1/4" Turn Fastener                          | X       | X       | X       | X       | X       | X       |
| 11      | 1171-024    | 1/4" Turn Retainer                          | X       | X       | X       | X       | X       | X       |
| 12      | 1171-023    | 1/4" Receptacle                             | X       | X       | X       | X       | X       | X       |
| 13      | 5650-039    | Reversing Valve with 24V Solenoid Coil      | X       | X       | X       | X       | X       | X       |
| 14      | 5650-042    | Rev. Valve Solenoid, Red Casing (Ranco)     | X       | X       | X       | X       | X       | X       |
| 14      | 5650-043    | Rev. Valve Solenoid, Black Casing (Wilspec) | X       | X       | X       | X       | X       | X       |
| 14      | 5650-046    | Rev. Valve Solenoid, Black Casing (San Hua) | X       | X       | X       | X       | X       | X       |
| 15      | 5650-037    | Molded Plug 36" Lead                        | X       | X       | X       | X       | X       | X       |
| 16      | 5201-009    | Filter Drier                                | X       | X       | X       | X       | X       | X       |
| 17      | 8620-224    | Defrost Sensor                              | X       | X       | X       | X       | X       | X       |
| 18      | 5651-19     | Heating TXV Thermal Expansion Valve         | X       | X       | X       | X       | X       | X       |
| 19      | 1804-046z   | High Pressure Switch (Flare) ①              | X       | X       | X       | X       | X       | X       |
| 20      | 800-0378    | Heating Distributor Assembly                |         |         |         | X       | X       | X       |
| 20      | 800-0186    | Heating Distributor Assembly                | X       | X       | X       |         |         |         |
| NS      | 3000-1276   | Compressor Wire Harness                     | X       |         |         | X       |         |         |
| NS      | 3000-1244   | Compressor Wire Harness                     |         | X       | X       |         | X       | X       |
| NS      | 5651-146    | Check Valve                                 | X       | X       | X       | X       | X       | X       |
| NS      | 1804-0107   | Low Pressure Switch (Flare) ①               | X       | X       | X       | X       | X       | X       |
| NS      | CMA-28      | Low Ambient Control (Flare) ①               | X       | X       | X       | X       | X       | X       |
| NS      | 5650-042    | Rev. Valve Solenoid, Red Casing (Ranco)     | X       | X       | X       | X       | X       | X       |
| NS      | 5650-046    | Rev. Valve Solenoid, Black Casing (San Hua) | X       | X       | X       | X       | X       | X       |
| NS      | 5650-045    | 3-Way Valve with 24V Solenoid Coil          | X       | X       | X       | X       | X       | X       |
| NS      | 5650-043    | Flow Control (Orifice)                      | X       | X       | X       | X       | X       | X       |

NS = Not Shown

① = Optional

# CONTROL PANEL COMPONENTS



SEXP-530 B

# CONTROL PANEL COMPONENTS

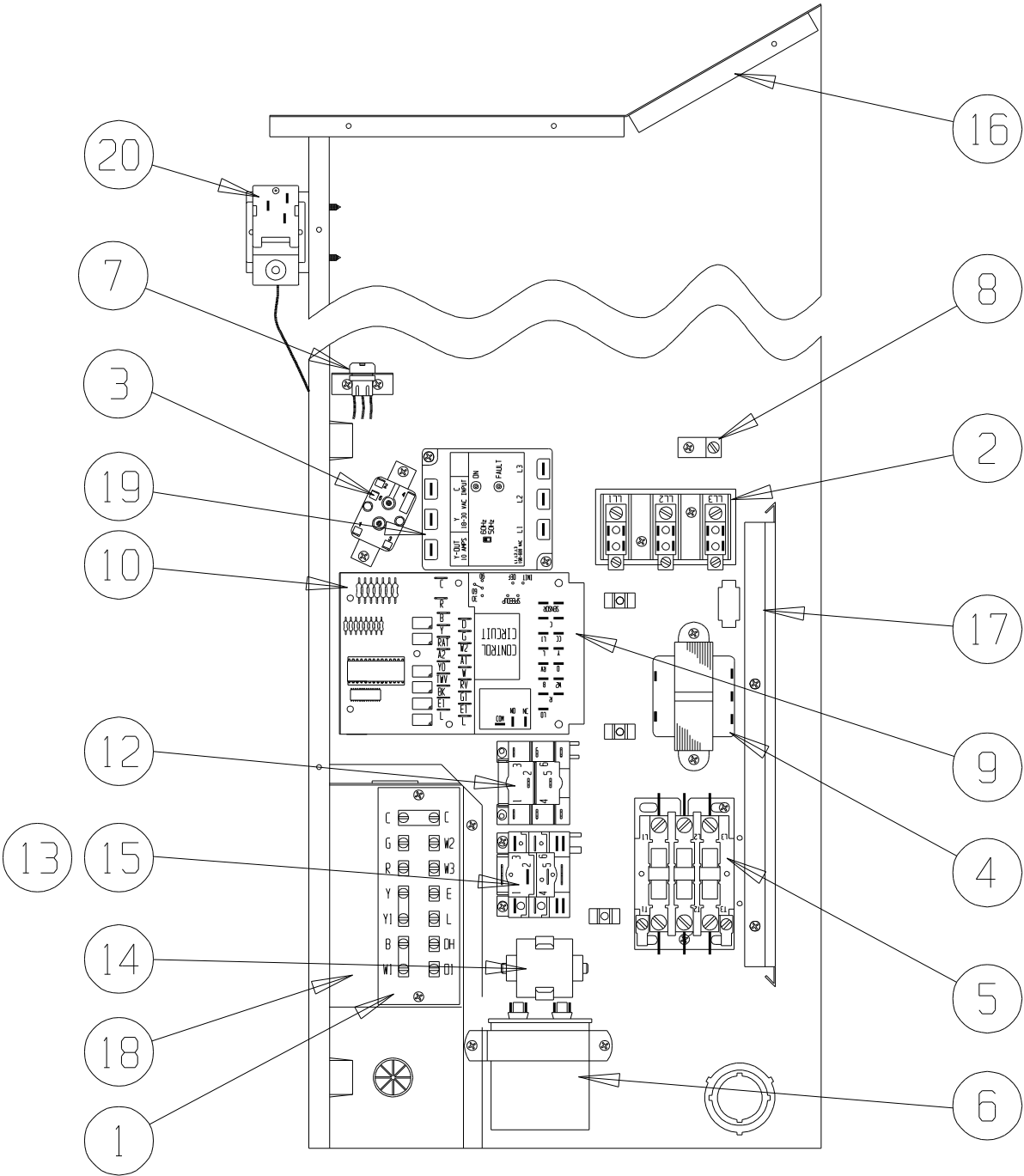
| Dwg No. | Part Number | Description                | W30H2-A | W30H2-B | W30H2-C | W36H2-A | W36H2-B | W36H2-C |
|---------|-------------|----------------------------|---------|---------|---------|---------|---------|---------|
| 1       | 8607-019    | Low Voltage Terminal Strip | X       | X       | X       | X       | X       | X       |
| 2       | 8607-013    | Terminal Block 2 Pole      | X       |         |         | X       |         |         |
| 2       | 8607-014    | Terminal Block 3 Pole      |         | X       | X       |         | X       | X       |
| 2       | 8607-015    | Phenolic Insulator         |         |         | X       |         |         | X       |
| 3       | 8201-009    | Blower Control Relay       | X       | X       |         | X       | X       |         |
| 3       | 8201-032    | Blower Control Relay       |         |         | X       |         |         | X       |
| 4       | 8407-035    | Transformer                | X       | X       |         | X       | X       |         |
| 4       | 8407-042    | Transformer                |         |         | X       |         |         | X       |
| 5       | 8401-006    | Compressor Contactor       | X       |         |         | X       |         |         |
| 5       | 8401-002    | Compressor Contactor       |         | X       | X       |         | X       | X       |
| 6       | 8552-052    | Compressor Capacitor       | X       |         |         | X       |         |         |
| 6       | 8552-002    | Outdoor Motor Capacitor    |         | X       | X       |         | X       | X       |
| 7       | 3000-1284   | Wire Assembly              | X       | X       | X       | X       | X       | X       |
| 8       | 8611-006    | Ground Terminal            | X       | X       | X       | X       | X       | X       |
| 9       | 8620-223    | Heat Pump Control Board    | X       | X       | X       | X       | X       | X       |
| 12      | 8201-086    | Low Ambient Bypass Relay ① | X       | X       | X       | X       | X       | X       |
| 14      | 8551-004    | Start Device (PTCR) ①      | X       |         |         | X       |         |         |
| 15      | 8201-032    | Outdoor Fan Relay          |         |         | X       |         |         | X       |
| 16      | 117X137     | Control Panel Top          | X       | X       | X       | X       | X       | X       |
| 17      | 135-122     | Wire Shield                | X       | X       | X       | X       | X       | X       |
| 18      | 117X232     | Control Panel              | X       | X       | X       | X       | X       | X       |
| NS      | 4096-140    | Wiring Diagram             | X       |         |         | X       |         |         |
| NS      | 4096-242    | Wiring Diagram             |         | X       |         |         | X       |         |
| NS      | 4096-341    | Wiring Diagram             |         |         | X       |         |         | X       |
| NS      | 8201-126    | 3-Phase Line Monitor       |         | X       | X       |         | X       | X       |
| NS      | CMH-14A     | ODT Kit                    | X       | X       | X       | X       | X       | X       |
| NS      | 8615-038    | Circuit Breaker 35A 2-Pole | X       |         |         |         |         |         |
| NS      | 8615-051    | Circuit Breaker 25A 3-Pole |         | X       |         |         |         |         |
| NS      | 8615-067    | 460V 40A Toggle Disconnect |         |         | X       |         |         | X       |
| NS      | 8615-055    | Circuit Breaker 40A 2-Pole |         |         |         | X       |         |         |
| NS      | 8615-051    | Circuit Breaker 25A 3-Pole |         |         |         |         | X       |         |

NS = Not Shown

① = Optional



# CONTROL PANEL COMPONENTS



SEXP-542

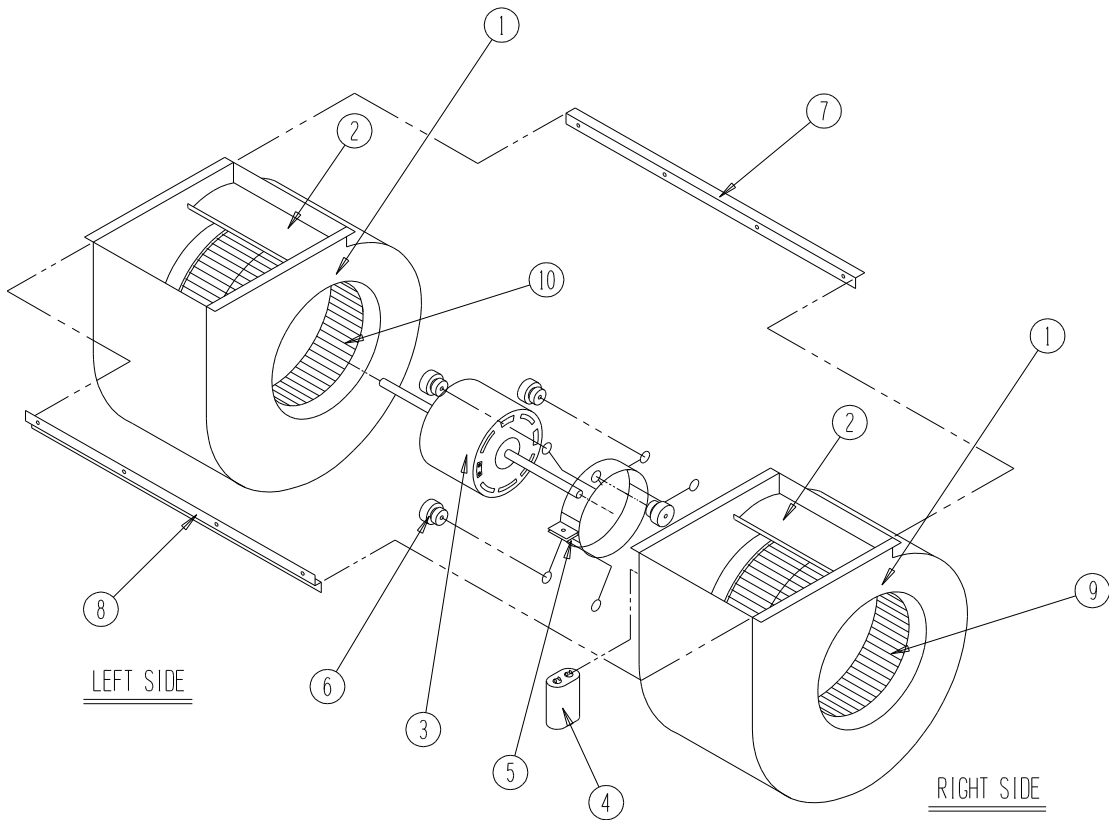
# CONTROL PANEL COMPONENTS – DEHUM. MODELS

| Dwg No. | Part Number | Description                    | W30H2DA | W30H2DB | W30H2DC | W36H2DA | W36H2DB | W36H2DC |
|---------|-------------|--------------------------------|---------|---------|---------|---------|---------|---------|
| 1       | 8607-019    | Low Voltage Terminal Strip     | X       | X       | X       | X       | X       | X       |
| 2       | 8607-013    | Terminal Block 2 Pole          | X       |         |         | X       |         |         |
| 2       | 8607-014    | Terminal Block 3 Pole          |         | X       | X       |         | X       | X       |
| 2       | 8607-015    | Phenolic Insulator             |         |         | X       |         |         | X       |
| 3       | 8201-009    | Blower Control Relay           |         |         | X       |         |         | X       |
| 3       | 8201-032    | Blower Control Relay           | X       | X       |         | X       | X       |         |
| 4       | 8407-048    | Transformer 65VA               | X       | X       |         | X       | X       |         |
| 4       | 8407-050    | Transformer 65VA               |         |         | X       |         |         | X       |
| 5       | 8401-006    | Compressor Contactor           | X       |         |         | X       |         |         |
| 5       | 8401-002    | Compressor Contactor           |         | X       | X       |         | X       | X       |
| 6       | 8552-052    | Compressor Capacitor           | X       |         |         | X       |         |         |
| 6       | 8552-002    | Outdoor Motor Capacitor        |         | X       | X       |         | X       | X       |
| 7       | 3000-1285   | 6-Pin Wire Assembly            | X       | X       | X       | X       | X       | X       |
| 8       | 8611-006    | Ground Terminal                | X       | X       | X       | X       | X       | X       |
| 9       | 8620-223    | Heat Pump Control Board        | X       | X       | X       | X       | X       | X       |
| 10      | 8201-113    | Dehumidification Logic Board ① | X       | X       | X       | X       | X       | X       |
| 12      | 8201-086    | Low Ambient Bypass Relay ①     | X       | X       | X       | X       | X       | X       |
| 13      | 8607-017    | LAC Terminal Block ①           | X       | X       | X       | X       | X       | X       |
| 14      | 8551-004    | Start Device (PTCR) ①          | X       |         |         | X       |         |         |
| 15      | 8201-032    | Outdoor Fan Relay              |         |         | X       |         |         | X       |
| 16      | 117X137     | Control Panel Top              | X       | X       | X       | X       | X       | X       |
| 17      | 135-122     | Wire Shield                    | X       | X       | X       | X       | X       | X       |
| 18      | 117X232     | Control Panel                  | X       | X       | X       | X       | X       | X       |
| 19      | 8201-126    | 3-Phase Line Monitor           |         | X       | X       |         | X       | X       |
| 20      | 8408-037    | Return Air Thermostat          | X       | X       | X       | X       | X       | X       |
| NS      | 4096-143    | Wiring Diagram                 | X       |         |         | X       |         |         |
| NS      | 4096-244    | Wiring Diagram                 |         | X       |         |         | X       |         |
| NS      | 4096-342    | Wiring Diagram                 |         |         | X       |         |         | X       |
| NS      | CMH-14A     | ODT Kit                        | X       | X       | X       | X       | X       | X       |
| NS      | 8615-038    | Circuit Breaker 35A 2-Pole     | X       |         |         |         |         |         |
| NS      | 8615-051    | Circuit Breaker 25A 3-Pole     |         | X       |         |         |         |         |
| NS      | 8615-067    | 460V 40A Toggle Disconnect     |         |         | X       |         |         | X       |
| NS      | 8615-055    | Circuit Breaker 40A 2-Pole     |         |         |         | X       |         |         |
| NS      | 8615-051    | Circuit Breaker 25A 3-Pole     |         |         |         |         | X       |         |

NS = Not Shown

① = Optional

# BLOWER ASSEMBLY



SEXP-346

| Dwg No. | Part Number | Description            | S900-231 | S900-232 |
|---------|-------------|------------------------|----------|----------|
| 1       | 151-111     | Blower Housing         | 2        | 2        |
| 2       | 144-174     | Diffuser               | 2        | 2        |
| 3       | 8105-029    | Blower Motor (230/208) | X        |          |
| 3       | 8105-033    | Blower Motor (460)     |          | X        |
| 4       | 8552-002    | Capacitor              | X        | X        |
| 5       | 8200-031    | Motor Mount            | X        | X        |
| 6       | 5451-011    | Grommets               | 6        | 6        |
| 7       | 105-870     | Back Brace             | X        | X        |
| 8       | 103-401     | Front Brace            | X        | X        |
| 9       | 5152-090    | Wheel CW               | X        | X        |
| 10      | 5152-091    | Wheel CCW              | X        | X        |