
REPLACEMENT PARTS MANUAL

WALL MOUNTED PACKAGED HEAT PUMPS

Models:

| | | | | | |
|---------|---------|---------|---------|---------|---------|
| W42H2-A | W42H2DA | W48H2-A | W48H2DA | W60H2-A | W60H2DA |
| W42H2-B | W42H2DB | W48H2-B | W48H2DB | W60H2-B | W60H2DB |
| W42H2-C | W42H2DC | W48H2-C | W48H2DC | W60H2-C | W60H2DC |

General Notes

- Revised and/or additional pages may be issued from time to time.
- A complete and current manual consists of pages shown in the following contents section.

Important

- Contact the installing and/or local Bard distributor for all parts requirements. Be sure to have the complete model and serial number available from the unit rating plate.

Contents

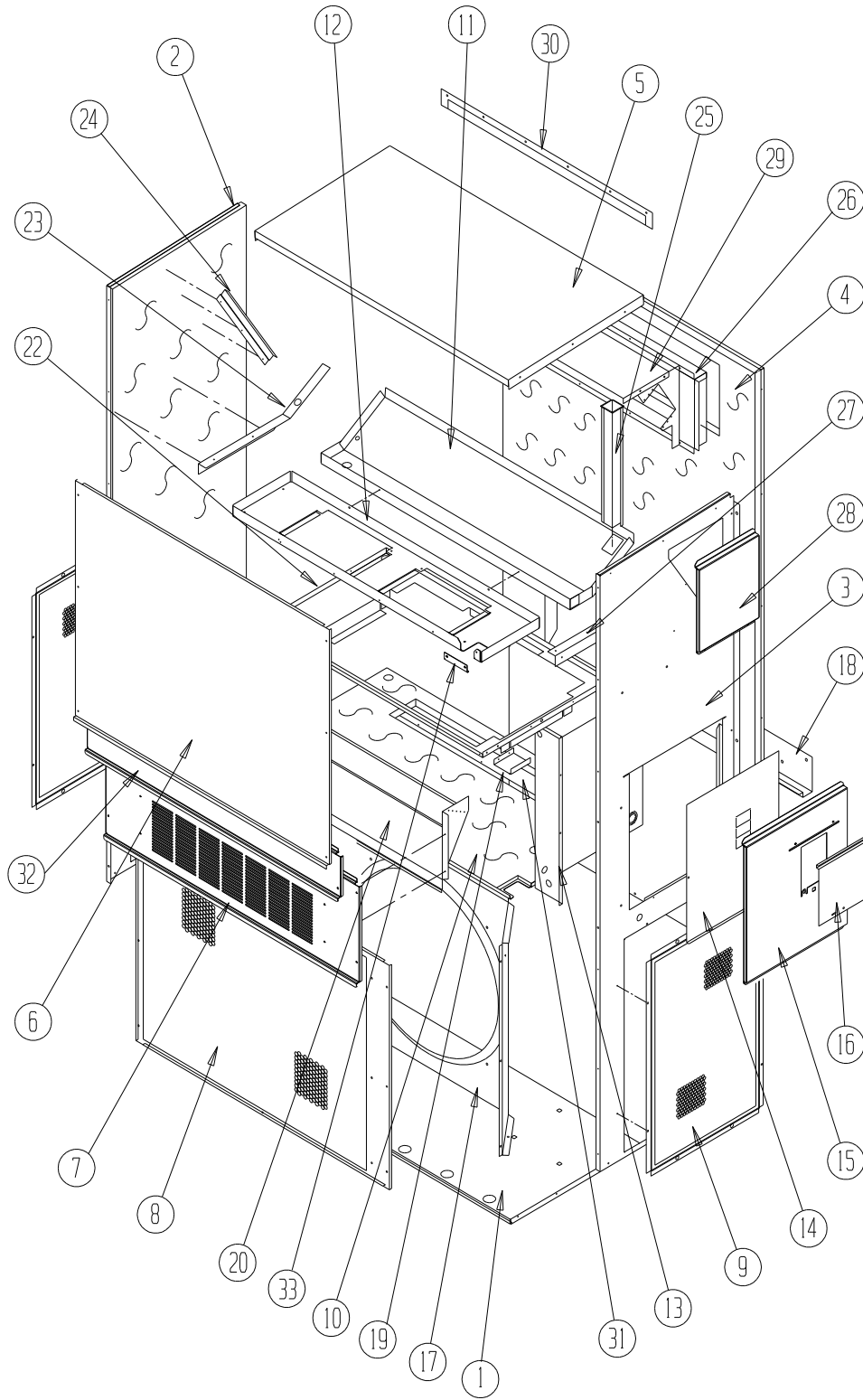
| <u>Description</u> | <u>Page</u> |
|--|-------------|
| Cabinet Components | |
| ♦ Exploded View | 2 |
| ♦ Usage List | 3 |
| ♦ Usage List | 4 |
| Functional Components | |
| ♦ Exploded View | 6 |
| ♦ Usage List | 7 |
| ♦ Usage List – Dehum. | 8 |
| Control Panel Components | |
| ♦ Layout View | 10 |
| ♦ Usage List | 11 |
| Control Panel Components – Dehum. Models | |
| ♦ Layout View | 12 |
| ♦ Usage List | 13 |
| Blower Housing | |
| ♦ Exploded View | 14 |
| ♦ Usage List | 14 |



Bard Manufacturing Company, Inc.
Bryan, Ohio 43506
www.bardhvac.com

Manual: 2110-597F
Supersedes: 2110-597E
Date: 5-29-15

CABINET COMPONENTS



SEXP-658 A

This drawing is referenced in tables on pages 3 and 4

CABINET COMPONENTS

| Dwg No. | Part Number | Description | W42H2-A, -B | W42H2-C | W42H2DA, B | W42H2DC | W48H2-A, -B | W48H2-C | W48H2DA, B | W48H2DC |
|---------|---------------------|--|-------------|---------|------------|---------|-------------|---------|------------|---------|
| 1 | S127-425 | Lower Base | X | X | X | X | X | X | X | X |
| 1 | S127-430 ③ | Lower Base | X | X | X | X | X | X | X | X |
| 2 | S501-686-* ① | Left Side | X | X | X | X | X | X | X | X |
| 2 | S501-699 ② | Left Side | X | X | X | X | X | X | X | X |
| 2 | S501-701 ③ | Left Side | X | X | X | X | X | X | X | X |
| 3 | S501-677-* ① | Right Side | X | X | X | X | X | X | X | X |
| 3 | S501-698 ② | Right Side | X | X | X | X | X | X | X | X |
| 3 | S501-700 ③ | Right Side | X | X | X | X | X | X | X | X |
| 4 | S508-098 | Back | X | X | X | X | X | X | X | X |
| 4 | S508-275 ② | Back | X | X | X | X | X | X | X | X |
| 4 | S508-221 ③ | Back | X | X | X | X | X | X | X | X |
| 5 | S507-307-* ① | Top | X | X | X | X | X | X | X | X |
| 5 | S507-309 ② | Top | X | X | X | X | X | X | X | X |
| 5 | S507-310 ③ | Top | X | X | X | X | X | X | X | X |
| 6 | S515-230-* ① | Upper Front | X | X | X | X | X | X | X | X |
| 6 | S514-231 ② | Upper Front | X | X | X | X | X | X | X | X |
| 6 | S514-232 ③ | Upper Front | X | X | X | X | X | X | X | X |
| 7 | S553-522-* ① | Vent Option Door | X | X | X | X | X | X | X | X |
| 7 | S553-529-* ① | Vent Option Door with ERV | X | X | X | X | X | X | X | X |
| 7 | S553-525 ② | Vent Option Door | X | X | X | X | X | X | X | X |
| 7 | S553-527 ③ | Vent Option Door | X | X | X | X | X | X | X | X |
| 8 | 118-048-* ① | Condenser Grille | X | X | X | X | X | X | X | X |
| 8 | 118-064 ② | Condenser Grille | X | X | X | X | X | X | X | X |
| 8 | 118-072 ③ | Condenser Grille | X | X | X | X | X | X | X | X |
| 9 | 118-057-* ① | Side Grille | 2 | 2 | 2 | 2 | 2 | 2 | 2 | 2 |
| 9 | 118-063 ② | Side Grille | 2 | 2 | 2 | 2 | 2 | 2 | 2 | 2 |
| 9 | 118-073 ③ | Side Grille | 2 | 2 | 2 | 2 | 2 | 2 | 2 | 2 |
| 10 | S521-258 | Condenser Partition | X | X | X | X | X | X | X | X |
| 11 | S123-122 | Drain Pan | X | X | X | X | X | X | X | X |
| 11 | S123-125 ②③ | Drain Pan | X | X | X | X | X | X | X | X |
| 12 | 121X216 | Blower Partition | X | X | X | X | X | X | X | X |
| 13 | Control Panel Assy. | See Control Panel Assy. Drawing & Parts List | X | X | X | X | X | X | X | X |
| 14 | S132-114 | Control Panel Cover (Inner) | X | | X | | X | | X | |
| 14 | S132-171 | Control Panel Cover (Inner) | | X | | X | | X | | X |
| 15 | S533-225-* ① | Control Panel Cover (Outer) | X | X | X | X | X | X | X | X |
| 15 | S533-229 ② | Control Panel Cover (Outer) | X | X | X | X | X | X | X | X |
| 15 | S533-230 ③ | Control Panel Cover (Outer) | X | X | X | X | X | X | X | X |
| 16 | S153-218-* ① | Disconnect Access Door | X | X | X | X | X | X | X | X |
| 16 | S153-387 ② | Disconnect Access Door | X | X | X | X | X | X | X | X |
| 16 | S153-405 ③ | Disconnect Access Door | X | X | X | X | X | X | X | X |
| 17 | 125-024 | Fan Shroud | X | X | X | X | X | X | X | X |
| 17 | 125-058 ③ | Fan Shroud | X | X | X | X | X | X | X | X |
| 18 | 113-140 | Bottom Mounting Bracket | X | X | X | X | X | X | X | X |
| 19 | 137-209 | Fill | X | X | X | X | X | X | X | X |
| 20 | BFAD-5 | Fresh Air Damper Assembly | X | X | X | X | X | X | X | X |
| 22 | 131X099 | Filter Tray | X | X | X | X | X | X | X | X |
| 23 | 105X877 | Left Side Support | X | X | X | X | X | X | X | X |
| 24 | 147-046 | Left Evaporator Support | X | X | X | X | X | X | X | X |
| 25 | 135-128 | Raceway | 2 | 2 | 2 | 2 | 2 | 2 | 2 | 2 |
| 26 | S111X034 | Outlet Air Frame Assembly | X | X | X | X | X | X | X | X |
| 27 | 105X878 | Right Side Support | X | X | X | X | X | X | X | X |
| 28 | S543-172-* ① | Right Side Cover Plate (Outer) | X | X | X | X | X | X | X | X |
| 28 | S543-176 ② | Right Side Cover Plate (Outer) | X | X | X | X | X | X | X | X |
| 28 | S543-177 ③ | Right Side Cover Plate (Outer) | X | X | X | X | X | X | X | X |
| 29 | 135-129 | Heat Shield | X | X | X | X | X | X | X | X |
| 30 | 113-150-* ① | Top Rain Flashing | X | X | X | X | X | X | X | X |
| 30 | 113-359 ③ | Top Rain Flashing | X | X | X | X | X | X | X | X |
| 31 | S536-258 | Cond. Partition Block Off Plate | X | X | X | X | X | X | X | X |
| 32 | S553-521-* ① | Filter Door Assembly | X | X | X | X | X | X | X | X |
| 32 | S553-526 ② | Filter Door Assembly | X | X | X | X | X | X | X | X |
| 32 | S553-528 ③ | Filter Door Assembly | X | X | X | X | X | X | X | X |

① Exterior cabinet parts are manufactured with various paint color options. To ensure the proper paint color is received, include the complete model and serial number of the unit for which cabinet parts are being ordered.

② Exterior cabinet parts are manufactured from aluminum Code "A"

③ Exterior cabinet parts are manufactured from stainless steel Code "S"

CABINET COMPONENTS

| Dwg No. | Part Number | Description | W60H2-A, -B | W60H2-C | W60H2DA, B | W60H2DC |
|---------|---------------------|--|-------------|---------|------------|---------|
| 1 | S127-425 | Lower Base | X | X | X | X |
| 1 | S127-430 ③ | Lower Base | X | X | X | X |
| 2 | S501-819-* ① | Left Side | X | X | X | X |
| 2 | S501-822 ② | Left Side | X | X | X | X |
| 2 | S501-820 ③ | Left Side | X | X | X | X |
| 3 | S501-818-* ① | Right Side | X | X | X | X |
| 3 | S501-823 ② | Right Side | X | X | X | X |
| 3 | S501-821 ③ | Right Side | X | X | X | X |
| 4 | S508-129 | Back | X | X | X | X |
| 4 | S508-275 ② | Back | X | X | X | X |
| 4 | S508-221 ③ | Back | X | X | X | X |
| 5 | S507-307-* ① | Top | X | X | X | X |
| 5 | S507-309 ② | Top | X | X | X | X |
| 5 | S507-310 ③ | Top | X | X | X | X |
| 6 | S515-230-* ① | Upper Front | X | X | X | X |
| 6 | S514-231 ② | Upper Front | X | X | X | X |
| 6 | S514-232 ③ | Upper Front | X | X | X | X |
| 7 | S553-522-* ① | Vent Option Door | X | X | X | X |
| 7 | S553-529-* ① | Vent Option Door with ERV | X | X | X | X |
| 7 | S553-525 ② | Vent Option Door | X | X | X | X |
| 7 | S553-527 ③ | Vent Option Door | X | X | X | X |
| 8 | 118-052-* ① | Condenser Grille | X | X | X | X |
| 8 | 118-080 ② | Condenser Grille | X | X | X | X |
| 8 | 118-078 ③ | Condenser Grille | X | X | X | X |
| 9 | 118-058-* ① | Side Grille | 2 | 2 | 2 | 2 |
| 9 | 118-081 ② | Side Grille | 2 | 2 | 2 | 2 |
| 9 | 118-079 ③ | Side Grille | 2 | 2 | 2 | 2 |
| 10 | S521-258 | Condenser Partition | X | X | X | X |
| 11 | S123-122 | Drain Pan | X | X | X | X |
| 11 | S123-125 ②③ | Drain Pan | X | X | X | X |
| 12 | 121X216 | Blower Partition | X | X | X | X |
| 13 | Control Panel Assy. | See Control Panel Assy. Drawing & Parts List | X | X | X | X |
| 14 | S132-114 | Control Panel Cover (Inner) | X | | X | |
| 14 | S132-171 | Control Panel Cover (Inner) | | X | | X |
| 15 | S533-225-* ① | Control Panel Cover (Outer) | X | X | X | X |
| 15 | S533-229 ② | Control Panel Cover (Outer) | X | X | X | X |
| 15 | S533-230 ③ | Control Panel Cover (Outer) | X | X | X | X |
| 16 | S153-218-* ① | Disconnect Access Door | X | X | X | X |
| 16 | S153-387 ② | Disconnect Access Door | X | X | X | X |
| 16 | S153-405 ③ | Disconnect Access Door | X | X | X | X |
| 17 | 125-029 | Fan Shroud | X | X | X | X |
| 17 | 125-059 ③ | Fan Shroud | X | X | X | X |
| 18 | 113-140 | Bottom Mounting Bracket | X | X | X | X |
| 19 | 137-209 | Fill | X | X | X | X |
| 20 | BFAD-5 | Fresh Air Damper Assembly | X | X | X | X |
| 22 | 131X099 | Filter Tray | X | X | X | X |
| 23 | 105X877 | Left Side Support | X | X | X | X |
| 24 | 147-046 | Left Evaporator Support | X | X | X | X |
| 25 | 135-128 | Raceway | 2 | 2 | 2 | 2 |
| 26 | S111X034 | Outlet Air Frame Assembly | X | X | X | X |
| 27 | 105X878 | Right Side Support | X | X | X | X |
| 28 | S543-172-* ① | Right Side Cover Plate (Outer) | X | X | X | X |
| 28 | S543-176 ② | Right Side Cover Plate (Outer) | X | X | X | X |
| 28 | S543-177 ③ | Right Side Cover Plate (Outer) | X | X | X | X |
| 29 | 135-129 | Heat Shield | X | X | X | X |
| 30 | 113-150-* ① | Top Rain Flashing | X | X | X | X |
| 30 | 113-359 ③ | Top Rain Flashing | X | X | X | X |
| 31 | S536-258 | Cond. Partition Block Off Plate | X | X | X | X |
| 32 | S553-521-* ① | Filter Door Assembly | X | X | X | X |
| 32 | S553-526 ② | Filter Door Assembly | X | X | X | X |
| 32 | S553-528 ③ | Filter Door Assembly | X | X | X | X |

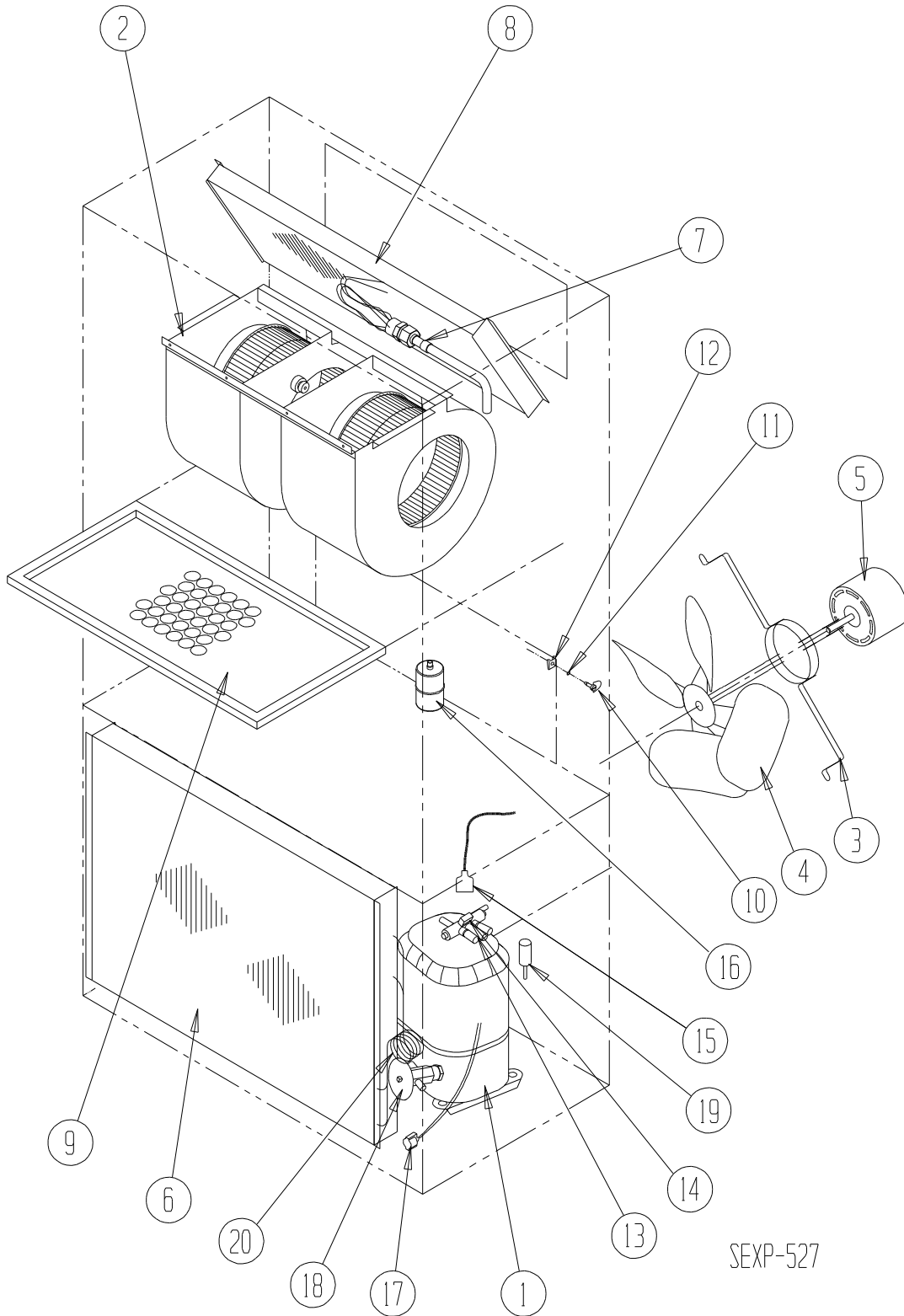
① Exterior cabinet parts are manufactured with various paint color options. To ensure the proper paint color is received, include the complete model and serial number of the unit for which cabinet parts are being ordered.

② Exterior cabinet parts are manufactured from aluminum Code "A"

③ Exterior cabinet parts are manufactured from stainless steel Code "S"

This page intentionally left blank.

FUNCTIONAL COMPONENTS



SEXP-527

This drawing is referenced in tables on pages 7 and 8

FUNCTIONAL COMPONENTS

| Dwg No. | Part No. | Description | W42H2-A | W42H2-B | W42H2-C | W48H2-A | W48H2-B | W48H2-C | W60H2-A | W60H2-B | W60H2-C |
|---------|------------|---|---------|---------|---------|---------|---------|---------|---------|---------|---------|
| 1 | 8000-332 | Compressor | X | | | | | | | | |
| 1 | 8000-333 | Compressor | | X | | | | | | | |
| 1 | 8000-334 | Compressor | | | X | | | | | | |
| 1 | 8000-343 | Compressor | | | | X | | | | | |
| 1 | 8000-344 | Compressor | | | | | X | | | | |
| 1 | 8000-345 | Compressor | | | | | | X | | | |
| 1 | 8000-324 | Compressor | | | | | | | X | | |
| 1 | 8000-325 | Compressor | | | | | | | | X | |
| 1 | 8000-326 | Compressor | | | | | | | | | X |
| 2 | S900-183 | Blower Assembly | X | X | | X | X | | | | |
| 2 | S900-184 | Blower Assembly | | | X | | | X | | | |
| 2 | S900-185 | Blower Assembly | | | | | | | X | X | |
| 2 | S900-186 | Blower Assembly | | | | | | | | | X |
| 3 | 8200-004 | Fan Motor Mount | X | X | X | X | X | X | X | X | X |
| 4 | 5151-027 | Fan Blade | X | X | X | X | X | X | X | X | X |
| 5 | 8105-039 | Condenser Motor | X | X | | X | X | | X | X | |
| 5 | 8105-030 | Condenser Motor | | | X | | | X | | | X |
| 6 | 5051-158BX | Condenser Coil | X | X | X | X | X | X | | | |
| 6 | 5051-159BX | Condenser Coil | | | | | | | X | X | X |
| 7 | 800-0382 | Distributor Assembly | X | X | X | | | | | | |
| 7 | 800-0383 | Distributor Assembly | | | | X | X | X | | | |
| 7 | 800-0375 | Distributor Assembly | | | | | | | X | X | X |
| 8 | 5060-137BX | Evaporator Coil | X | X | X | | | | | | |
| 8 | 5060-138BX | Evaporator Coil | | | | X | X | X | | | |
| 8 | 5060-082BX | Evaporator Coil | | | | | | | X | X | X |
| 9 | 7004-016 | Air Filter 1" Throw-Away | X | X | X | X | X | X | X | X | X |
| 9 | 7003-030 | Air Filter 1" Washable (Optional) | X | X | X | X | X | X | X | X | X |
| 9 | 7004-027 | Air Filter 2" Pleated (Optional) | X | X | X | X | X | X | X | X | X |
| 10 | 1171-022 | 1/4 Turn Fastener | X | X | X | X | X | X | X | X | X |
| 11 | 1171-024 | 1/4 Turn Retainer | X | X | X | X | X | X | X | X | X |
| 12 | 1171-023 | 1/4 Receptacle | X | X | X | X | X | X | X | X | X |
| 13 | 5650-039 | Reversing Valve with 24V Solenoid Coil | X | X | X | | | | | | |
| 13 | 5650-040 | Reversing Valve with 24V Solenoid Coil | | | | X | X | X | X | X | X |
| 14 | 5650-042 | Rev. Valve Solenoid, Red Casing (Ranco) | X | X | X | X | X | X | X | X | X |
| 14 | 5650-043 | Rev. Valve Solenoid, Black Casing (Wilspec) | X | X | X | X | X | X | X | X | X |
| 14 | 5650-046 | Rev. Valve Solenoid, Black Casing (San Hua) | X | X | X | X | X | X | X | X | X |
| 15 | 5650-037 | Molded Plug 36" Lead | X | X | X | X | X | X | X | X | X |
| 16 | 5201-010 | Filter Drier | X | X | X | X | X | X | X | X | X |
| 17 | 8620-224 | Defrost Sensor | X | X | X | X | X | X | X | X | X |
| 18 | 5651-178 | Heating TXV Thermal Expansion Valve | X | X | X | X | X | X | | | |
| 18 | 5651-190 | Heating TXV Thermal Expansion Valve | | | | | | | X | X | X |
| 19 | 1804-0462 | High Pressure Switch (Flare) (Optional) | X | X | X | X | X | X | X | X | X |
| 20 | 800-0381 | Heating Distributor Assembly | X | X | X | X | X | X | | | |
| 20 | 800-0376 | Heating Distributor Assembly | | | | | | | X | X | X |
| NS | 1804-0107 | Low Pressure Switch (Flare) (Optional) | X | X | X | X | X | X | X | X | X |
| NS | CMA-28 | Low Ambient Control (Flare) (Optional) | X | X | X | X | X | X | X | X | X |

NS = Not Shown

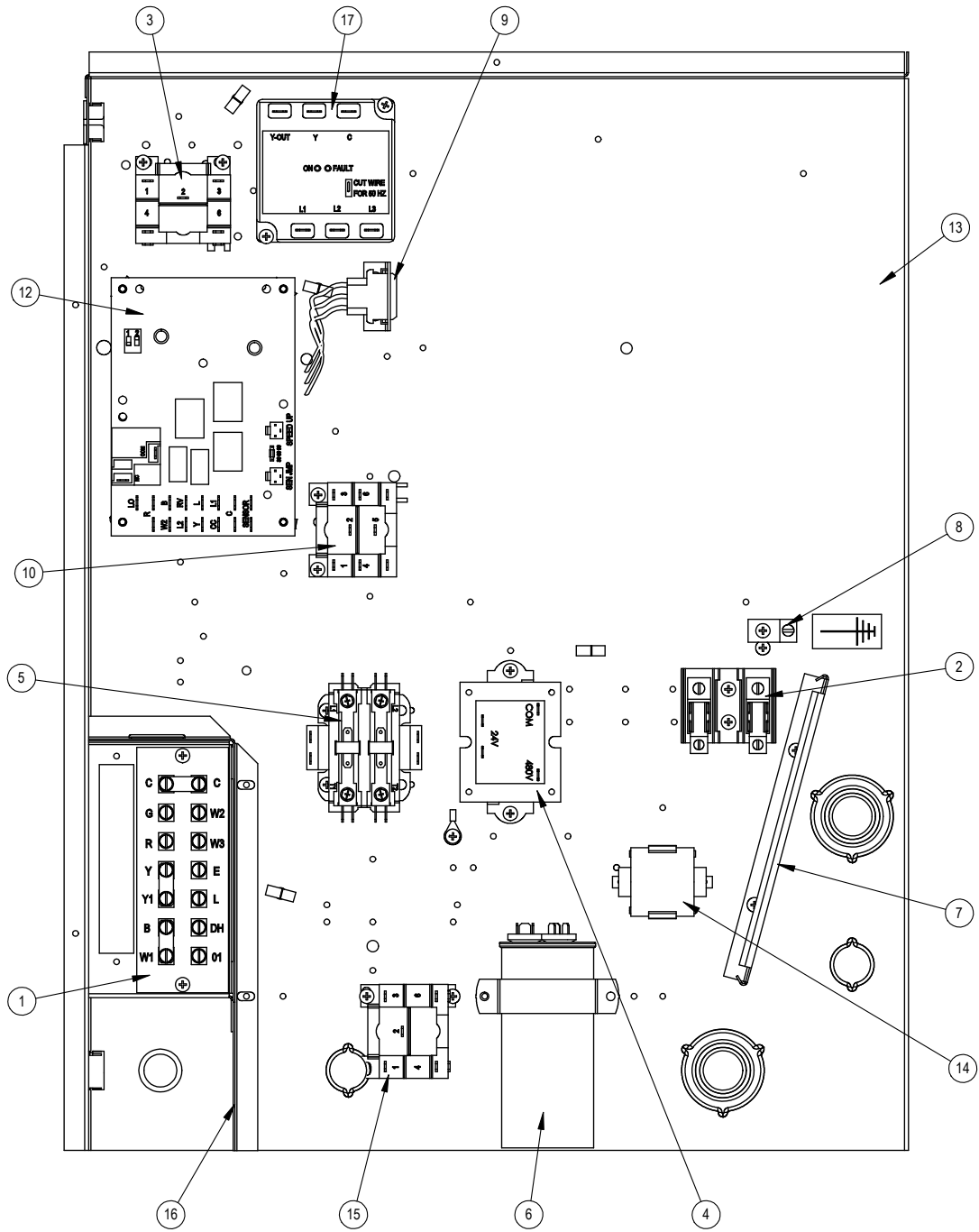
FUNCTIONAL COMPONENTS – DEHUM. MODELS

| Dwg No. | Part No. | Description | W42H2DA | W42H2DB | W42H2DC | W48H2DA | W48H2DB | W48H2DC | W60H2DA | W60H2DB | W60H2DC |
|---------|------------|---|---------|---------|---------|---------|---------|---------|---------|---------|---------|
| 1 | 8000-332 | Compressor | X | | | | | | | | |
| 1 | 8000-333 | Compressor | | X | | | | | | | |
| 1 | 8000-334 | Compressor | | | X | | | | | | |
| 1 | 8000-343 | Compressor | | | | X | | | | | |
| 1 | 8000-344 | Compressor | | | | | X | | | | |
| 1 | 8000-345 | Compressor | | | | | | X | | | |
| 1 | 8000-324 | Compressor | | | | | | | X | | |
| 1 | 8000-325 | Compressor | | | | | | | | X | |
| 1 | 8000-326 | Compressor | | | | | | | | | X |
| 2 | S900-183 | Blower Assembly | X | X | | X | X | | | | |
| 2 | S900-184 | Blower Assembly | | | X | | | X | | | |
| 2 | S900-185 | Blower Assembly | | | | | | | X | X | |
| 2 | S900-186 | Blower Assembly | | | | | | | | | X |
| 3 | 8200-004 | Fan Motor Mount | X | X | X | X | X | X | X | X | X |
| 4 | 5151-027 | Fan Blade | X | X | X | X | X | X | X | X | X |
| 5 | 8105-039 | Condenser Motor | X | X | | X | X | | X | X | |
| 5 | 8105-030 | Condenser Motor | | | X | | | X | | | X |
| 6 | 5051-158BX | Condenser Coil | X | X | X | X | X | X | | | |
| 6 | 5051-159BX | Condenser Coil | | | | | | | X | X | X |
| 7 | 5651-210 | Cooling Expansion Valve | X | X | X | | | | | | |
| 7 | 800-0292 | Cooling Distributor Assembly | X | X | X | | | | | | |
| 7 | 5651-228 | Cooling Expansion Valve | | | | X | X | X | | | |
| 7 | 800-0342 | Cooling Distributor Assembly | | | | X | X | X | | | |
| 7 | 5651-211 | Cooling Expansion Valve | | | | | | | X | X | X |
| 7 | 800-0388 | Cooling Distributor Assembly | | | | | | | X | X | X |
| 8 | 917-0128BX | Evaporator Coil Assembly | X | X | X | | | | | | |
| 8 | 917-0130BX | Evaporator Coil Assembly | | | | X | X | X | | | |
| 8 | 917-0044BX | Evaporator Coil Assembly | | | | | | | X | X | X |
| 9 | 7004-016 | Air Filter 1" Throw-Away | X | X | X | X | X | X | X | X | X |
| 9 | 7003-030 | Air Filter 1" Washable (Optional) | X | X | X | X | X | X | X | X | X |
| 9 | 7004-027 | Air Filter 2" Pleated (Optional) | X | X | X | X | X | X | X | X | X |
| 10 | 1171-022 | 1/4 Turn Fastener | X | X | X | X | X | X | X | X | X |
| 11 | 1171-024 | 1/4 Turn Retainer | X | X | X | X | X | X | X | X | X |
| 12 | 1171-023 | 1/4 Receptacle | X | X | X | X | X | X | X | X | X |
| 13 | 5650-039 | Reversing Valve with 24V Solenoid Coil | X | X | X | | | | | | |
| 13 | 5650-040 | Reversing Valve with 24V Solenoid Coil | | | | X | X | X | X | X | X |
| 14 | 5650-042 | Rev. Valve Solenoid, Red Casing (Ranco) | X | X | X | X | X | X | X | X | X |
| 14 | 5650-043 | Rev. Valve Solenoid, Black Casing (Wilspec) | X | X | X | X | X | X | X | X | X |
| 14 | 5650-046 | Rev. Valve Solenoid, Black Casing (San Hua) | X | X | X | X | X | X | X | X | X |
| 15 | 5650-037 | Molded Plug 36" Lead | X | X | X | X | X | X | X | X | X |
| 16 | 5201-010 | Filter Drier | X | X | X | X | X | X | X | X | X |
| 17 | 8620-224 | Defrost Sensor | X | X | X | X | X | X | X | X | X |
| 18 | 5651-178 | Heating TXV Thermal Expansion Valve | X | X | X | X | X | X | | | |
| 18 | 5651-190 | Heating TXV Thermal Expansion Valve | | | | | | | X | X | X |
| 19 | 1804-0462 | High Pressure Switch (Flare) (Optional) | X | X | X | X | X | X | X | X | X |
| 20 | 800-0381 | Heating Distributor Assembly | X | X | X | X | X | X | | | |
| 20 | 800-0376 | Heating Distributor Assembly | | | | | | | X | X | X |
| NS | 1804-0107 | Low Pressure Switch (Flare) (Optional) | X | X | X | X | X | X | X | X | X |
| NS | CMA-28 | Low Ambient Control (Flare) (Optional) | X | X | X | X | X | X | X | X | X |
| NS | 5650-042 | Rev. Valve Solenoid, Red Casing (Ranco) | X | X | X | X | X | X | X | X | X |
| NS | 5650-046 | Rev. Valve Solenoid, Black Casing (San Hua) | X | X | X | X | X | X | X | X | X |
| NS | 5650-045 | 3-Way Valve with 24V Solenoid Coil | X | X | X | X | X | X | X | X | X |
| NS | 5650-043 | Flow Control (Orifice) | X | X | X | X | X | X | X | X | X |

NS = Not Shown

This page intentionally left blank.

CONTROL PANEL COMPONENTS



SEXP-709 A

CONTROL PANEL COMPONENTS

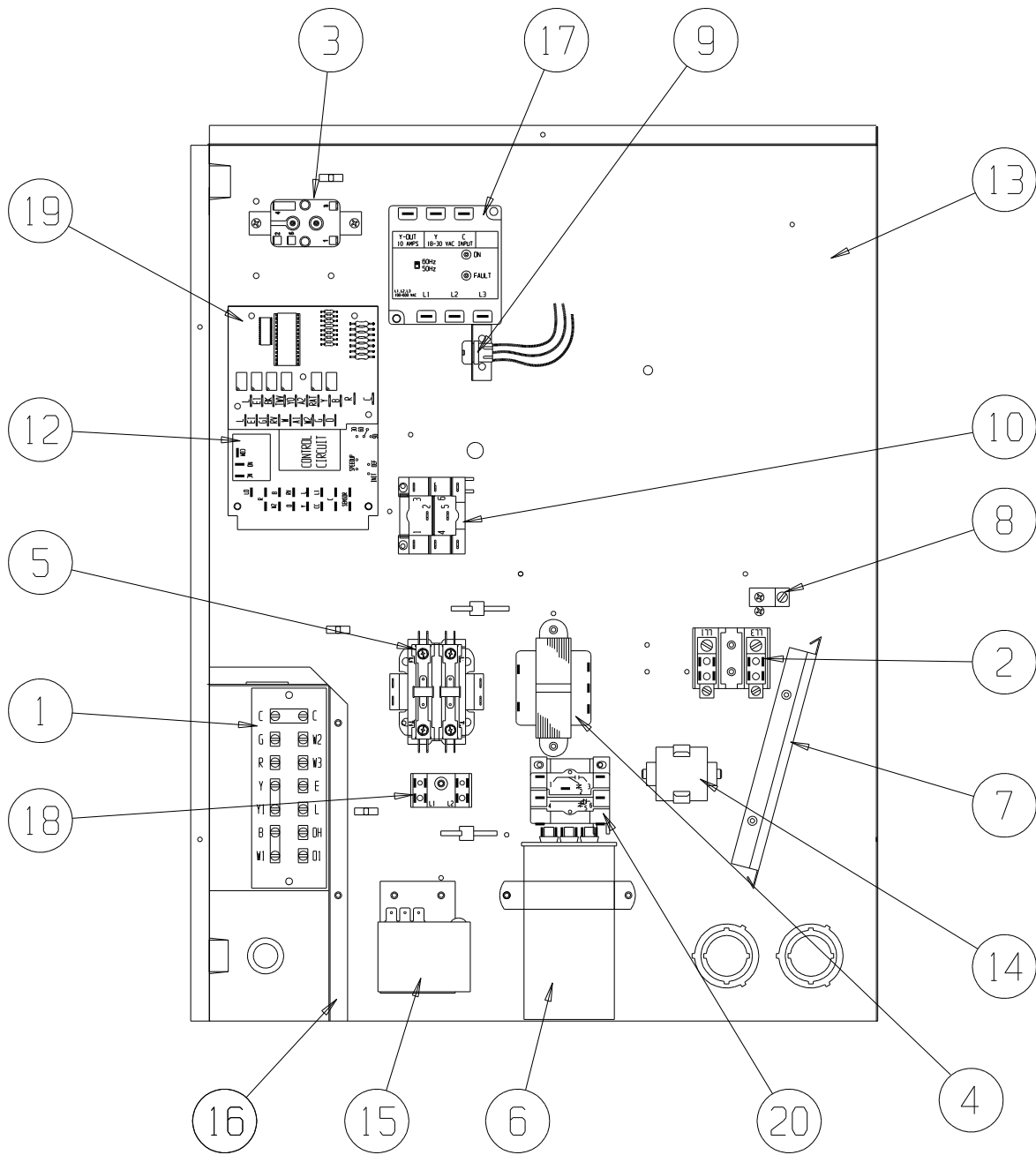
| Dwg No. | Part Number | Description | W42H2-A | W42H2-B | W42H2-C | W48H2-A | W48H2-B | W48H2-C | W60H2-A | W60H2-B | W60H2-C |
|---------|-------------|------------------------------|---------|---------|---------|---------|---------|---------|---------|---------|---------|
| 1 | 8607-019 | Low Voltage Terminal Strip | X | X | X | X | X | X | X | X | X |
| 2 | 8607-013 | Terminal Block 2 Pole | X | | | X | | | X | | |
| 2 | 8607-014 | Terminal Block 3 Pole | | X | X | | X | X | | X | X |
| 2 | 8607-015 | Phenolic Insulator | | X | | | X | | | X | |
| 3 | 8201-009 | Blower Control Relay | X | X | | X | X | | X | X | |
| 3 | 8201-032 | Blower Control Relay | | | X | | | X | | | X |
| 4 | 8407-035 | Transformer | X | X | | X | X | | X | X | |
| 4 | 8407-042 | Transformer | | | X | | | X | | | X |
| 5 | 8401-025 | Compressor Contactor | X | | | X | | | X | | |
| 5 | 8401-002 | Compressor Contactor | | X | X | | X | X | | X | X |
| 6 | 8552-089 | Compressor Capacitor | X | | | | | | | | |
| 6 | 8552-005 | Outdoor Motor Capacitor | | X | | | X | | | X | |
| 6 | 8552-026 | Outdoor Motor Capacitor | | | X | | | X | | | X |
| 6 | 8552-089 | Compressor Capacitor | | | | X | | | | | |
| 6 | 8552-058 | Compressor Capacitor | | | | | | | X | | |
| 7 | 135-130 | Wire Shield | X | X | X | X | X | X | X | X | X |
| 8 | 8611-006 | Ground Terminal | X | X | X | X | X | X | X | X | X |
| 9 | 3000-1282 | Wire Assembly | X | X | X | X | X | X | X | X | X |
| 10 | 8201-086 | Low Ambient Bypass Relay ① | X | X | X | X | X | X | X | X | X |
| 12 | 8620-223 | Heat Pump Control Board | X | X | X | X | X | X | X | X | X |
| 13 | 117X340 | Control Panel | X | X | X | X | X | X | X | X | X |
| 14 | 8551-004 | Start Device (PTCR) ① | X | | | X | | | X | | |
| 15 | 8201-032 | Outdoor Fan Relay | | | X | | | X | | | X |
| 16 | 117X139 | Low Voltage Box | X | X | X | X | X | X | X | X | X |
| 17 | 8201-126 | Phase Monitor | | X | X | | X | X | | X | X |
| NS | 3000-1222 | Compressor Wire Harness | X | | | X | | | X | | |
| NS | 3000-1231 | Compressor Wire Harness | | X | X | | X | X | | X | X |
| NS | 8615-040 | Circuit Breaker 50A 2 Pole ② | X | | | X | | | | | |
| NS | 8615-042 | Circuit Breaker 35A 3 Pole ② | | X | | | X | | | | |
| NS | 8615-041 | Circuit Breaker 50A 2 Pole ② | | | | | | | X | | |
| NS | 8615-043 | Circuit Breaker 35A 3 Pole ② | | | | | | | | X | |
| NS | 8615-067 | Toggle Disconnect ② | | | X | | | X | | | X |
| NS | 4096-139 | Wiring Diagram | X | | | X | | | X | | |
| NS | 4096-240 | Wiring Diagram | | X | | | X | | | X | |
| NS | 4096-339 | Wiring Diagram | | | X | | | X | | | X |

NS = Not Shown

① = Optional on these Models

② = Circuit breakers listed are for units without electric heat "OZ" models.

CONTROL PANEL COMPONENTS – DEHUM. MODELS



SEXP-710 A

CONTROL PANEL COMPONENTS – DEHUM. MODELS

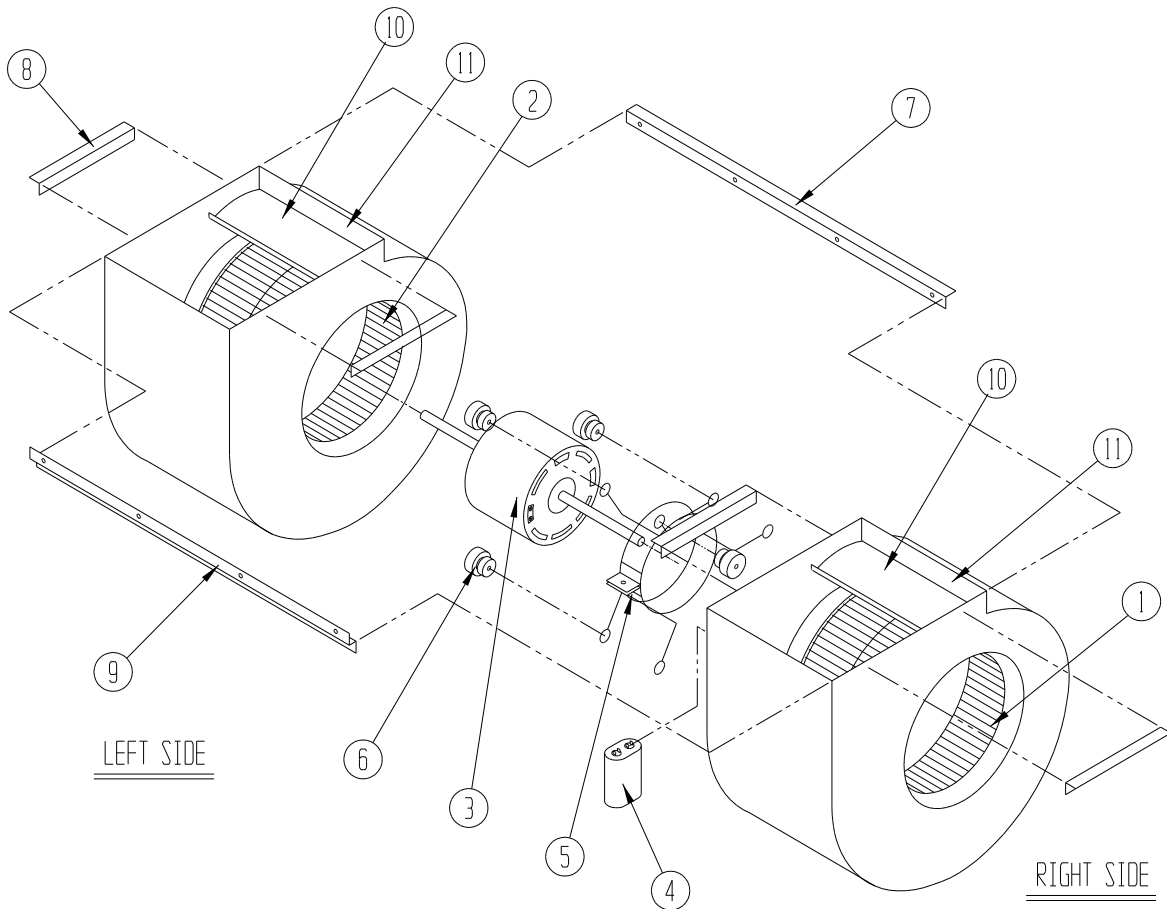
| Dwg No. | Part Number | Description | W42H2DA | W42H2DB | W42H2DC | W48H2DA | W48H2DB | W48H2DC | W60H2DA | W60H2DB | W60H2DC |
|---------|-------------|------------------------------|---------|---------|---------|---------|---------|---------|---------|---------|---------|
| 1 | 8607-019 | Low Voltage Terminal Strip | X | X | X | X | X | X | X | X | X |
| 2 | 8607-013 | Terminal Block 2 Pole | X | | | X | | | X | | |
| 2 | 8607-014 | Terminal Block 3 Pole | | X | X | | X | X | | X | X |
| 2 | 8607-015 | Phenolic Insulator | | | X | | | X | | | X |
| 3 | 8201-009 | Blower Control Relay | X | X | | X | X | | X | X | |
| 3 | 8201-032 | Blower Control Relay | | | X | | | X | | | X |
| 4 | 8407-065 | Transformer 75VA | X | X | | X | X | | X | X | |
| 4 | 8407-050 | Transformer 75VA | | | X | | | X | | | X |
| 5 | 8401-025 | Compressor Contactor | X | | | X | | | X | | |
| 5 | 8401-002 | Compressor Contactor | | X | X | | X | X | | X | X |
| 6 | 8552-089 | Compressor Capacitor | X | | | | | | | | |
| 6 | 8552-005 | Outdoor Motor Capacitor | | X | | | X | | | X | |
| 6 | 8552-026 | Outdoor Motor Capacitor | | | X | | | X | | | X |
| 6 | 8552-089 | Compressor Capacitor | | | | X | | | | | |
| 6 | 8552-058 | Compressor Capacitor | | | | | | | X | | |
| 7 | 135-130 | Wire Shield | X | X | X | X | X | X | X | X | X |
| 8 | 8611-006 | Ground Terminal | X | X | X | X | X | X | X | X | X |
| 9 | 3000-1167 | Wire Harness | X | X | X | X | X | X | X | X | X |
| 10 | 8201-086 | Low Ambient Bypass Relay ① | X | X | X | X | X | X | X | X | X |
| 12 | 8620-223 | Heat Pump Control Board | X | X | X | X | X | X | X | X | X |
| 13 | 117X340 | Control Panel | X | X | X | X | X | X | X | X | X |
| 14 | 8551-004 | Start Device (PTCR) ① | X | | | X | | | X | | |
| 15 | 8408-037 | Return Air Thermostat | X | X | X | X | X | X | X | X | X |
| 16 | 117X139 | Low Voltage Box | X | X | X | X | X | X | X | X | X |
| 17 | 8201-126 | Phase Monitor | | X | X | | X | X | | X | X |
| 18 | 8607-017 | Terminal Block ① | X | X | X | X | X | X | X | X | X |
| 19 | 8201-113 | Dehumidification Logic Board | X | X | X | X | X | X | X | X | X |
| 20 | 8201-032 | Outdoor Fan Relay | | | X | | | X | | | X |
| NS | 3000-1222 | Compressor Wire Harness | X | | | X | | | X | | |
| NS | 3000-1231 | Compressor Wire Harness | | X | X | | X | X | | X | X |
| NS | 8615-040 | Circuit Breaker 50A 2 Pole ② | X | | | X | | | | | |
| NS | 8615-042 | Circuit Breaker 35A 3 Pole ② | | X | | | X | | | | |
| NS | 8615-041 | Circuit Breaker 50A 2 Pole ② | | | | | | | X | | |
| NS | 8615-043 | Circuit Breaker 35A 3 Pole ② | | | | | | | | X | |
| NS | 8615-067 | Toggle Disconnect ② | | | X | | | X | | | X |
| NS | 4096-143 | Wiring Diagram | X | | | X | | | X | | |
| NS | 4096-244 | Wiring Diagram | | X | | | X | | | X | |
| NS | 4096-342 | Wiring Diagram | | | X | | | X | | | X |

NS = Not Shown

① = Optional on these Models

② = Circuit breakers listed are for units without electric heat "OZ" models.

BLOWER ASSEMBLY



SEXP-178

| Dwg No. | Part Number | Description | S900-183 | S900-184 | S900-185 | S900-186 |
|---------|-------------|------------------------|----------|----------|----------|----------|
| 1 | 5152-011 | 10 Inch Wheel (CW) | | | X | X |
| 1 | 5152-057 | 9 Inch Wheel (CW) | X | X | | |
| 2 | 5152-012 | 10 Inch Wheel (CW) | | | X | X |
| 2 | 5152-058 | 9 Inch Wheel (CW) | X | X | | |
| 3 | 8106-046 | Blower Motor (230/208) | X | | X | |
| 3 | 8106-025 | Blower Motor (460) | | X | | X |
| 4 | 8552-005 | Capacitor | X | X | X | X |
| 5 | 8200-040 | Motor Mount | X | X | X | X |
| 6 | 5451-011 | Grommets | 6 | 6 | 6 | 6 |
| 7 | 105-881 | Back Brace | X | X | X | X |
| 8 | 105-880 | Side Angle | 4 | 4 | 4 | 4 |
| 9 | 103-389 | Front Brace | X | X | X | X |
| 10 | 151-101 | Housing | 2 | 2 | 2 | 2 |
| 11 | 144-166 | Diffuser | 2 | 2 | 2 | 2 |